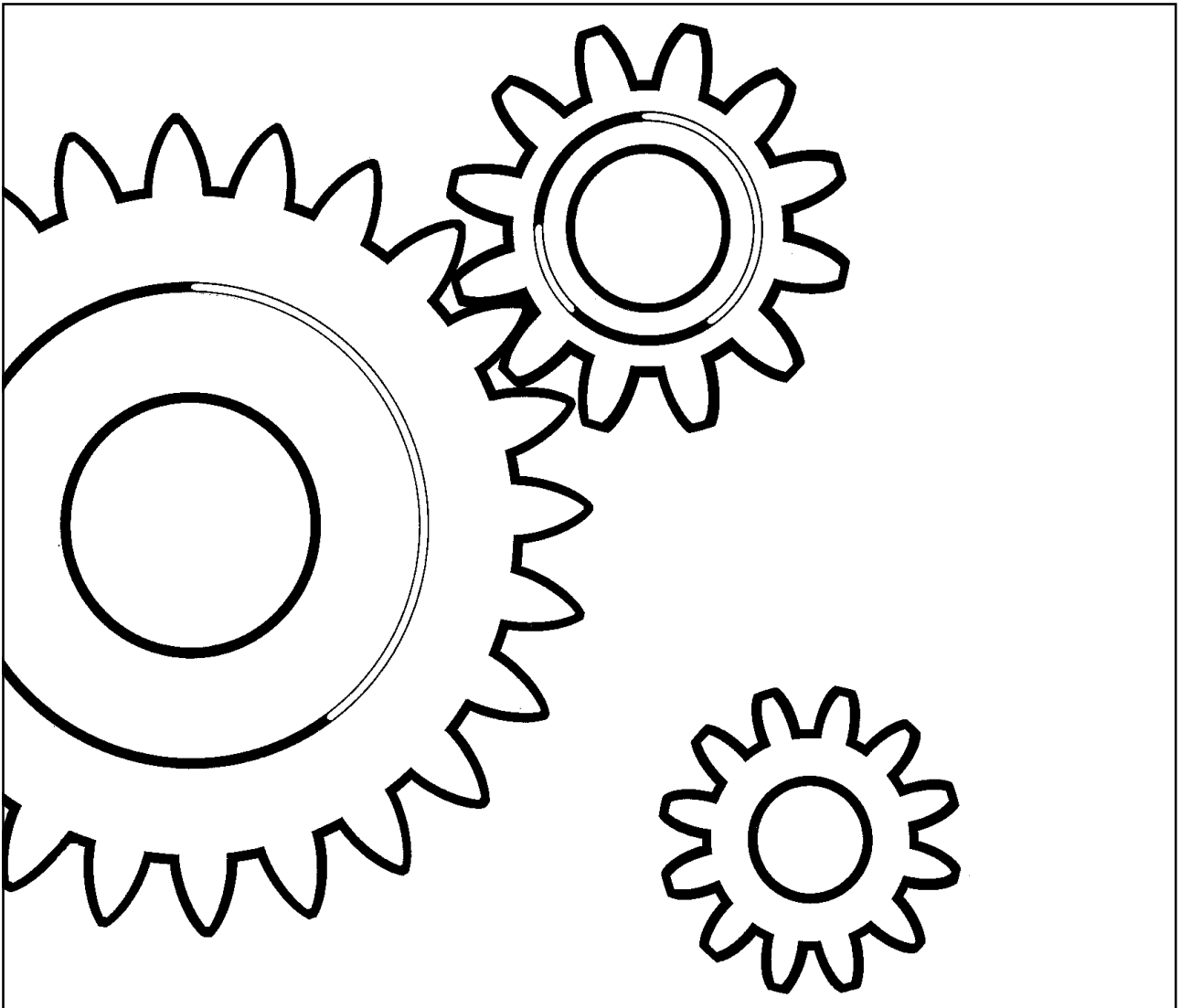


**DYNAPAC**  
**CP221**  
**SPARE PARTS**  
**CATALOGUE**  
SCP221-2EN5



***DYNAPAC***

Box 504, SE-371 23 Karlskrona, Sweden  
Phone: +46 455 30 60 00, Fax: +46 455 30 60 10  
[www.dynapac.com](http://www.dynapac.com)



## **Pneumatic Tire Roller CP221**

### **Spare Parts Catalogue SCP221-2EN5**

*Valid from roller serial number:*

*\*22620278\* - \*22620599\**

*Diesel engines:*

*CUMMINS 4BT 3.9C*

*CUMMINS 4BT 3.9C Elite*

*Published catalogue issues valid for these rollers:*

<i>Catalogue</i>	<i>Issue date</i>	<i>Valid for serial numbers</i>
<i>SCP221-2EN1</i>	<i>1999-06</i>	<i>Replaced by SCP221-2EN2</i>
<i>SCP221-2EN2</i>	<i>2001-03</i>	<i>Replaced by SCP221-2EN3</i>
<i>SCP221-2EN3</i>	<i>2002-07</i>	<i>Replaced by SCP221-2EN4</i>
<i>SCP221-2EN4</i>	<i>2003-05</i>	<i>Replaced by SCP221-2EN5</i>
<i>SCP221-2EN5</i>	<i>2004-03</i>	<i>See above</i>



**RESERVDLSBESTÄLLNING**

Följande uppgifter ska lämnas vid beställning av reservdelar för att undvika leveransfel:

1. Maskintyp.
2. Vältensserienummer.
3. Antal av önskad reservdel.
4. Reserdelens artikelnummer.
5. Reservdelens benämning.
6. Måttuppgifter vid beställning av metervara.

**ERSATZTEILBESTELLUNG**

Zur Vermeidung von Fehllieferungen sind bei der Bestellung von Ersatzteilen folgende Angaben zu machen:

1. Maschinentyp.
2. Herstellungsnummer.
3. Bestellmenge. (Quantity)
4. Ersatzteilnummer. (Part N°)
5. Ersatzteilbenennung. (Denomination)
6. Massangaben bei Bestellung von Meterware.

**PEDIDO DE RECAMBIOS**

Para evitar errores en las entregas, deberán indicarse los siguientes datos al hacer un pedido de recambios:

1. Tipo de máquina.
2. Número de serie.
3. Cantidad de piezas deseadas. (Quantity)
4. Número de artículo de la pieza de recambio. (Part N°)
5. Denominación de la pieza. (Denomination)
6. Indíquese la medida al solicitar un artículo que se expide por metros.

**ORDERING SPARE PARTS**

To avoid errors in delivery, please give the following information when ordering spare parts:

1. Type of machine.
2. Roller serial number.
3. Quantity required.
4. Part number.
5. Parts denomination.
6. Dimensions when ordering per length.

**ORDINI DI RICAMBI**

Per evitare errori nelle consegne di ricambi, Vi preghiamo di comunicarci le seguenti informazioni al momento dell'ordinazione:

1. Tipo di macchina.
2. Numero di serie della macchina.
3. Quantità dei pezzi desiderati. (Quantity)
4. Numero di codice del pezzo. (Part N°)
5. Descrizione del pezzo di ricambio. (Denomination)
6. Misura, in caso di ordine per metro.

**COMMANDE DE PIÈCES DE RECHANGE**

Les indications suivantes doivent être fournies lors de la commande de pièces de rechange, afin d'éviter toute erreur de livraison:

1. Type de machine.
2. Numéro de série.
3. Quantité désirée de pièce de rechange. (Quantity)
4. Numéro de la pièce de rechange. (Part N°)
5. Dénomination de la pièce de rechange. (Denomination)
6. Longueur en cas de commande au mètre.

**YOUR AGENT/DEALER:**

# DYNAPAC

## Text pages

The text pages is structured as the picture on the right.

1. This is the remarks for specific items and the descriptions of the remarks is at the bottom of the parts list.

2. Parts indicated by a dot and moved to the right are included when buying the assembled unit above.

3. Spare parts and service code for a specific part, mainly for internal use at Dynapac. "A" = Service part, "B" = Fast moving part, "C" = Suggested exchanged part and "D" = Regular spare part.

DYNAPAC				Metso Dynapac AB	
Cooling system					
Ref. No.	Part No.	Rem.	Qty	Description	Code
1	223047		1	Water cooler	③ C
2	935852		1	Radiator cap	D
3	935851	①	1	Cock	
4	373263	A	1	Radiator hose	D
5	313009		6	Clamp	
6	205058	B	1XL	Rubber clutch	
7	373261	C	1	Radiator hose	D
8			1	Oil cooler	D
9	223289		1	Plate	
10	902166	D	1XL	Edge trim	
11	223287	E	1	Holder	
12	223288	F	1	Holder	
13	908168		1	Fan guard	
14	908170		1	Fan shroud	
15	908171		2	Mounting bar	
16	908169		1	Fan guard	
17	500021		14	Screw	
18	902286		14	Nut	
19	600006		14	Washer	
20	313102		2	Cable strap	

① A) Upper  
 B) L=060MM  
 C) Lower  
 D) L=2280MM  
 E) Left  
 F) Right

## Changes

PARTS INFO	SERVICE INFO	GROUP	PAGE	NOTES

## Notes

---



---



---



---



---



---



---



---



---



---



## PÄRMETIKETT

För att undvika fel vid reservdelsbeställning finns här nedan två etiketter som passar i fickorna på pärmarnas ryggar. På dessa kan man se från vilket vältnummer av aktuell maskin reservdelskatalogen gäller. Gör så här:

1. Tag denna sida ur pärmen.
2. Klipp ut etiketten till **VÄNSTER** (1) och sätt in den i fickan på **DENNA** pärmens rygg.
3. Finns det en etikett till **HÖGER** (2), kan denna användas på pärmen för **FÖREGÅENDE** utgåva av denna katalog.
4. Kasta detta papper.

## KATALOG-BESCHRIFTUNG

Zur Vermeidung von Fehlern bei der Ersatzteilbestellung benutzen Sie bitte die unteren Beschriftungen, um die Kataloge auf der Rückseite zu kennzeichnen. Auf der Beschriftung ist angegeben, für welche Maschinennummern der jeweilige Katalog gültig ist. Ablauf:

1. Nehmen Sie dieses Blatt aus dem Katalog.
2. Schneiden Sie die **LINKE** Beschriftung (1) aus. Schieben Sie die Beschriftung in die tasche auf **DEM** Katalogrücke.
3. Sollte die Beschriftung unten **RECHTS** (2) mitgeliefert werden, kennzeichnen Sie damit bitte die **ÄLTERE** Ausführung dieses Kataloges.
4. Den Rest dieses Blattes bitte vernichten.

## ETIQUETA PARA LA CARPETA

Para evitar errores al pedir repuestos utilicen las etiquetas abajo descritas para identificar los catálogos en la parte trasera de la carpeta. En la etiqueta se ven los números de referencia de la serie para la cual es válido el catálogo. Instrucciones:

1. Quitar esta página de la carpeta.
2. Corta la etiqueta **IZQUIERDA** (1) y ponerla est **ESTA** carpeta en la parte trasera.
3. Si hay una etiqueta en la parte **DERECHA** (2) se puede utilizar en la carpeta para el catálogo que **PRECEDE** a esta.
4. Tirar esta hoja.

## BINDER LABEL

To avoid errors when ordering spare parts use the labels below to identify the catalogues on the back of the binder. The label contain the serial number range for which the catalogue is valid. Do like this:

1. Remove this page from the binder.
2. Cut out the **LEFT** label (1) and put it on **THIS** binders back.
3. If there is a label to the **RIGHT** (2), it can be used on the binder for **PRECEDING** issue of this catalogue.
4. Throw away this paper.

## ETICHETTAPOSTASULRACCOGLITORE

Per evitare errori quando ordinate pezzi di ricambio, usate le etichette in calce che servono ad identificare i cataloghi sul retro del raccoglitore. L'etichetta indica il numero di matricola delle macchine prese in considerazione nel catalogo.

1. Rimuovete questa pagina dal raccoglitore.
2. Ritagliate l'etichetta posta a **SINISTRA** (1) e ponetela sul retro **DEL** raccoglitore.
3. Se trovate anche un'etichetta sulla **DESTRA** (2), ritagliatela e ponetela sul raccoglitore relativo alla **PRECEDENTE** edizione del catalogo.
4. Distruggete questo foglio.

## ETIQUETAGE DU CATALOGUE

Afin d'éviter des erreurs lors de commandes de pièces de rechange, nous vous conseillons d'apposer les marquages ci-dessous à l'arrière du classeur, pour identifier les catalogues. Ce marquage indique les numéros de série pour lesquels le catalogue est adapté. Il convient de procéder de la façon suivante:

1. Retirez cette page du classeur.
2. Découpez l'étiquette de **GAUCHE** (1), et apposez-la à l'arrière de **CE** catalogue.
3. Si il y a une étiquette à **DROITE** (2), vous pourrez l'apposer sur le classeur de l'edition **PRECEDENTE** du catalogue.
4. Détruire cetta feuille.

1.







	<b>CP221 SN 22620278 - 22620599</b>	<b>2</b>
	<b>Frame</b>	<b>4</b>
	Handrail and cover plate	6
	Frame and hood	8
	Rear cover	10
	Front scrapers	12
	Rear scrapers	14
	Front scrapers and mat Option	16
	Rear scrapers and mat Option	18
	Sprinkler system	20
	Cover assy	24
	<b>Suspension</b>	<b>26</b>
	Steering link	28
	Front suspension	30
	Rear suspension	32
259219	Brake	34
195176	Chain protector	36
	Wheel	38
	Wheel with Bridgestone tyre	40
	Wheel with Michelin tyre	42
	Wheel with Firestone tyre	44
	Spare wheel Option	46
	Pneumatic circuit diagram Option	48
	Air on the run Option	50
	Diagram brake circuit	54
191533	Brake valve, Varga	56
	Brake circuit up to SN 22620359	58
	Brake circuit from SN 22620360	64
	Compressor assembly	68
380253	Compressor Knorr-Bremse LP4850 Up to 22620318	70
380475	Compressor Knorr-Bremse LP4850 From 22620319	72
	Parking brake circuit From 22620430	74
384571	Brake chamber	76
	Parking brake From 22620430	78
384572	Caliper disc brake	80
	Master cylinder From 22620430	82
	<b>Engine</b>	<b>84</b>
	Engine Cummins	86
	Cooling system	88
	Air cleaner	90
	Fuel system	92
	Muffler	94
	<b>Transmission</b>	<b>96</b>
	Transmission Up to SN 22620318	98
	Converter housing & case	100
	Turbine shaft, stator support	102
	Drive plate	104
	Torque converter	106
	Auxiliary pump drive	108
	Charging pump drive	110
	Reverse & 2nd shaft	112
	Low speed shaft	114

	Forward shaft .....	116
	Reverse idler .....	118
	Output & 3rd clutch .....	120
	Chrging pump & oil filter .....	122
	Control valve .....	124
240647	Control valve assembly .....	126
	Disc brake .....	128
937693	Brake caliper .....	130
	Transmission From SN 22620319 .....	132
	Converter housing .....	134
	Case and rear cover .....	136
	Turbine shaft .....	138
	Drive plate .....	140
	Torque converter .....	142
	Gear .....	144
	Auxiliary pump drive .....	146
	Pump drive .....	148
	Forward shaft .....	150
	Reverse and 2nd shaft .....	152
	Reverse idler .....	154
	Low speed shaft .....	156
	Output and 3rd shaft .....	158
	Charging pump and filter .....	160
	Control valve .....	124
240647	Control valve assembly .....	126
	Disc brake Up to 22620429 .....	166
384385	Caliper disc brake .....	168
	Differential, Rockwell .....	170
	Cardan shaft assembly up to SN 22620342 .....	174
	Cardan shaft assembly from SN 22620343 .....	176
	Cardan shaft, Albarus .....	178
	<b>Hydraulic system .....</b>	<b>180</b>
	Steering system up to SN 22620322 .....	182
375455	Steering valve .....	184
	Steering cylinder .....	186
376059	Steering cylinder .....	188
	Steering system from SN 22620323 .....	190
375455	Steering valve .....	184
	Steering cylinder .....	186
376059	Steering cylinder .....	188
	<b>Electrical equipment .....</b>	<b>198</b>
	Electrical system .....	200
	Horn assy .....	204
	Lights .....	206
	Instrument board Up to SN 22620429 .....	208
	Instrument board From SN 22620430 .....	210
	Electrical equipment .....	212
	<b>Drivers platform .....</b>	<b>214</b>
	Throttle controls .....	216
	Forward and reverse control, brake Up to 22620318 .....	218
	Forward and reverse control From 22620319 .....	222
	Parking brake From 22620319 Up to 22620429 .....	224
384385	Caliper disc brake .....	168
	Pedal and brake valve .....	228
195779	Brake valve .....	230
	Instruction book holder up to SN 22620407, not 402 .....	232

	Instruction book holder from SN 22620408 + 402 .....	234
	Steering assembly .....	236
375455	Steering valve .....	184
	Safety belt, Only with rops Option .....	240
	Seat assembly Without armrests .....	242
	Seat assembly With armrests .....	244
	Rops .....	246
	Seat cover .....	248
	<b>Decals .....</b>	<b>250</b>
	Decals up to SN 22620384 .....	252
	Decals from SN 22620385 .....	254
	<b>Standard equipment .....</b>	<b>256</b>
	Standard equipment .....	258
	<b>Optional equipment .....</b>	<b>260</b>
	Tool equipment .....	262
	Canopy with glass fibre .....	264
	Cab assembly mounting .....	266
	SMV sign .....	268
	Protecting cover .....	270

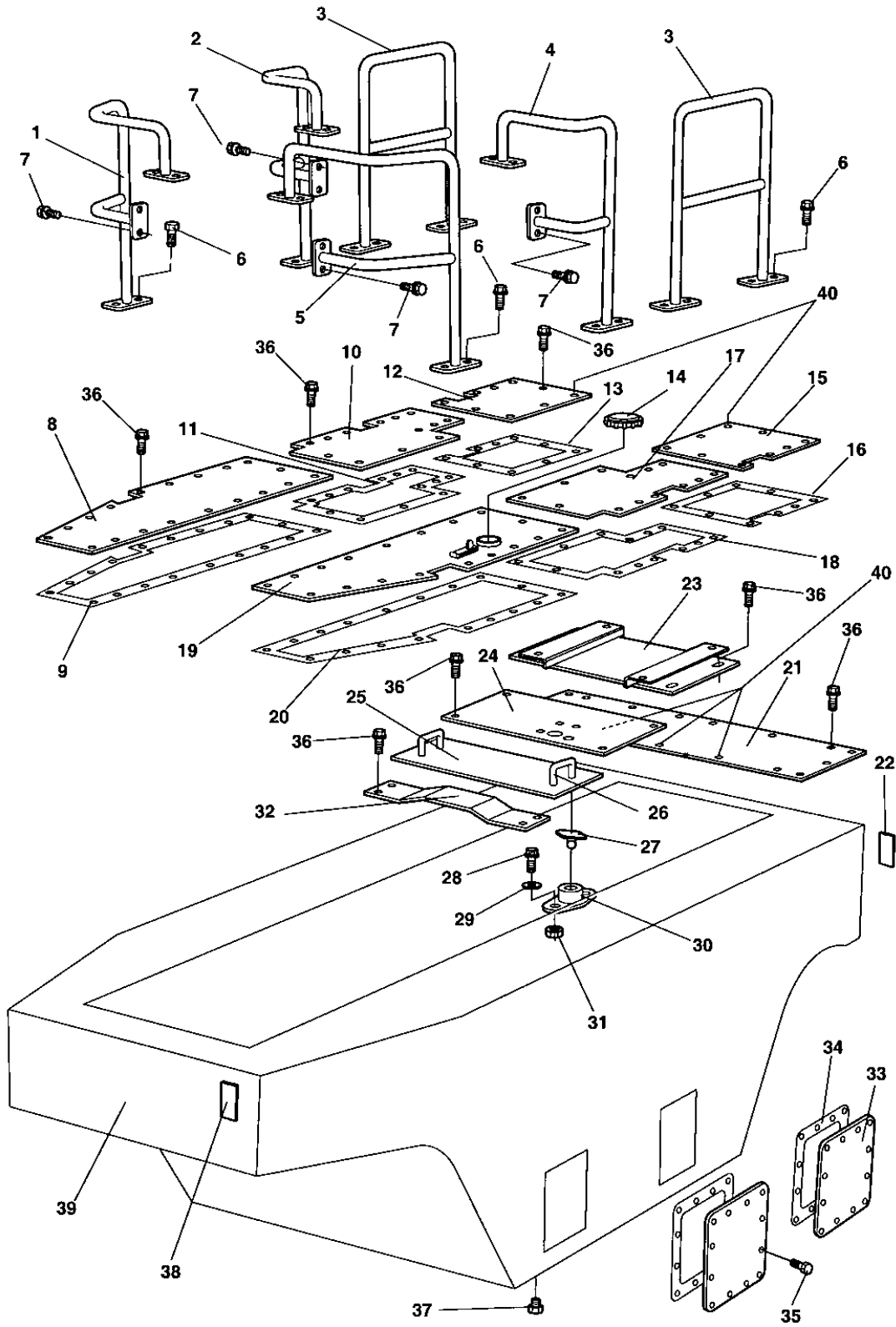


Ref. No.	Part No.	Rem.	Qty	Description	Code
10				Frame ( Page 4 )	
20				Suspension ( Page 26 )	
30				Engine ( Page 84 )	
40				Transmission ( Page 96 )	
50				Hydraulic system ( Page 180 )	
60				Electrical equipment ( Page 198 )	
70				Drivers platform ( Page 214 )	
80				Decals ( Page 250 )	
90				Standard equipment ( Page 256 )	
91				Optional equipment ( Page 260 )	



## Frame

Ref. No.	Part No.	Rem.	Qty	Description	Code
10				Handrail and cover plate ( Page 6 )	
20				Frame and hood ( Page 8 )	
30				Rear cover ( Page 10 )	
50				Front scrapers ( Page 12 )	
60				Rear scrapers ( Page 14 )	
70				Front scrapers and mat Option ( Page 16 )	
80				Rear scrapers and mat Option ( Page 18 )	
90				Sprinkler system ( Page 20 )	
100				Cover assy ( Page 24 )	





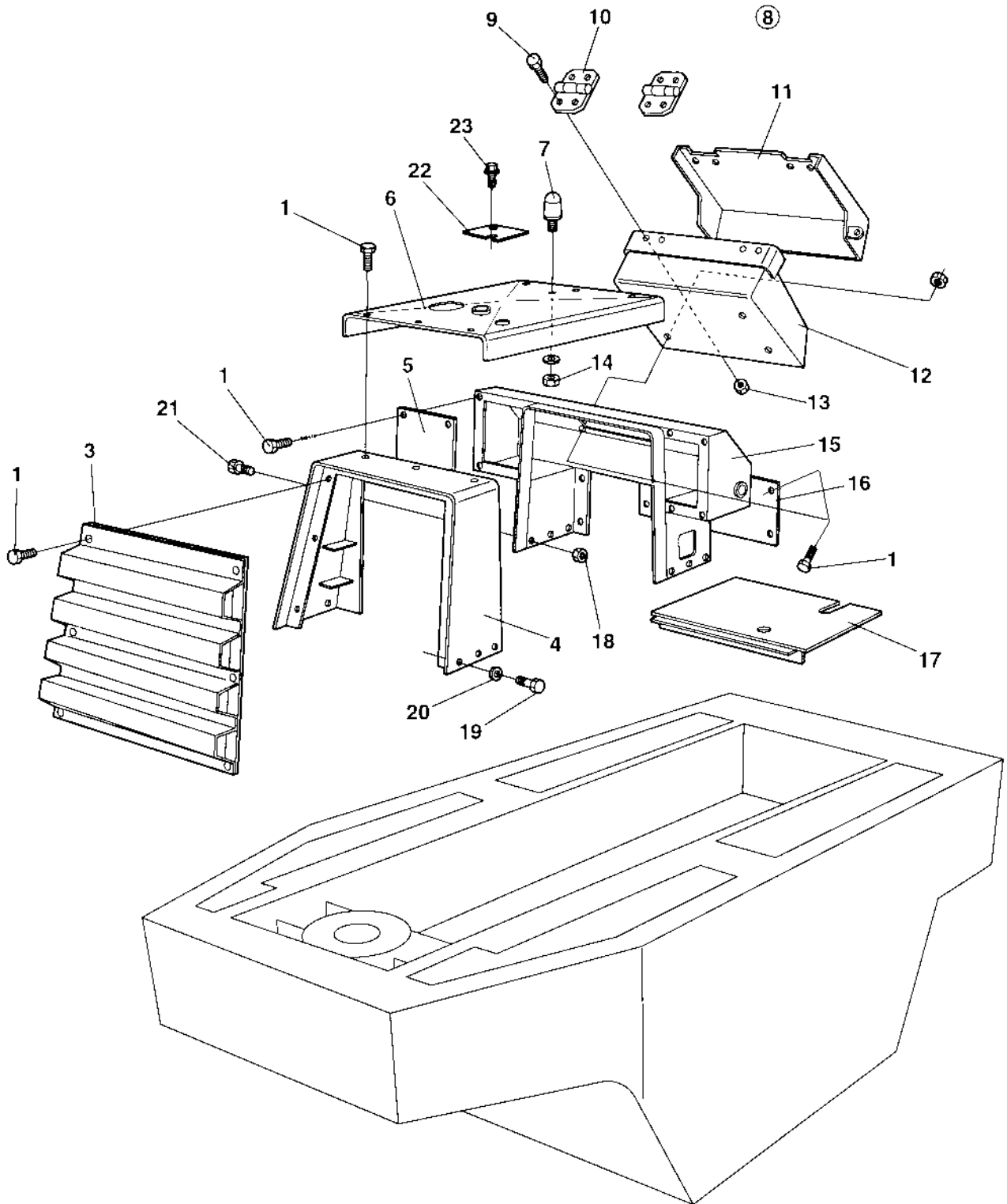
## Handrail and cover plate

Ref. No.	Part No.	Rem.	Qty	Description	Code
1	375078		1	Hand rail, right	
2	375076		1	Hand rail, right	
3	375074		2	Hand rail	
4	375075		1	Hand rail, left	
5	375077		1	Hand rail, left	
6	500506		16	Screw	
7	500053		16	Screw M8-1,25x20 8,8	
8	375092		1	Cover plate	
9	375514		1	Gasket	
10	375094		1	Cover plate	
11	375519		1	Gasket	
12	375097		1	Cover plate	
13	375516		1	Gasket	
14	333228		1	Cap	
15	375096		1	Cover plate	
16	375517		1	Gasket	
17	375095		1	Cover plate	
18	375518		1	Gasket	
19	375146		1	Cover plate	
20	375515		1	Gasket	
21	375098		1	Cover plate	
22	901182		2	Reflector, red	B
23	195364		1	Floor	
24	375099		1	Cover plate	
25	375100		1	Cover plate Up to 22620318	
	382233		1	Cover plate From 22620319	
26	265753		2	.Grab handle	
27	450067		2	.Door bumper	D
28	535008		4	.Screw	
29	904281		4	.Washer 5,3x10x1	
30	450066		2	.Door bumper	D
31	570003		4	.Nut M5	
32	375101		1	Cover plate Up to 22620318	
	382222		1	Cover plate From 22620319	
33	264237		4	Cover	
34	264238		4	Gasket	D
35	500506		48	Screw	
36	927026	A	126	Screw Up to 22620423	
	500505		93	Screw M8x20 8,8 From 22620424	
37	232046		2	Plug	
38	901187		2	Reflector, white	B
39	191885		1	Frame	
40	513003		5	Screw	

A) Thread rolling screw

Frame and hood

16846-2

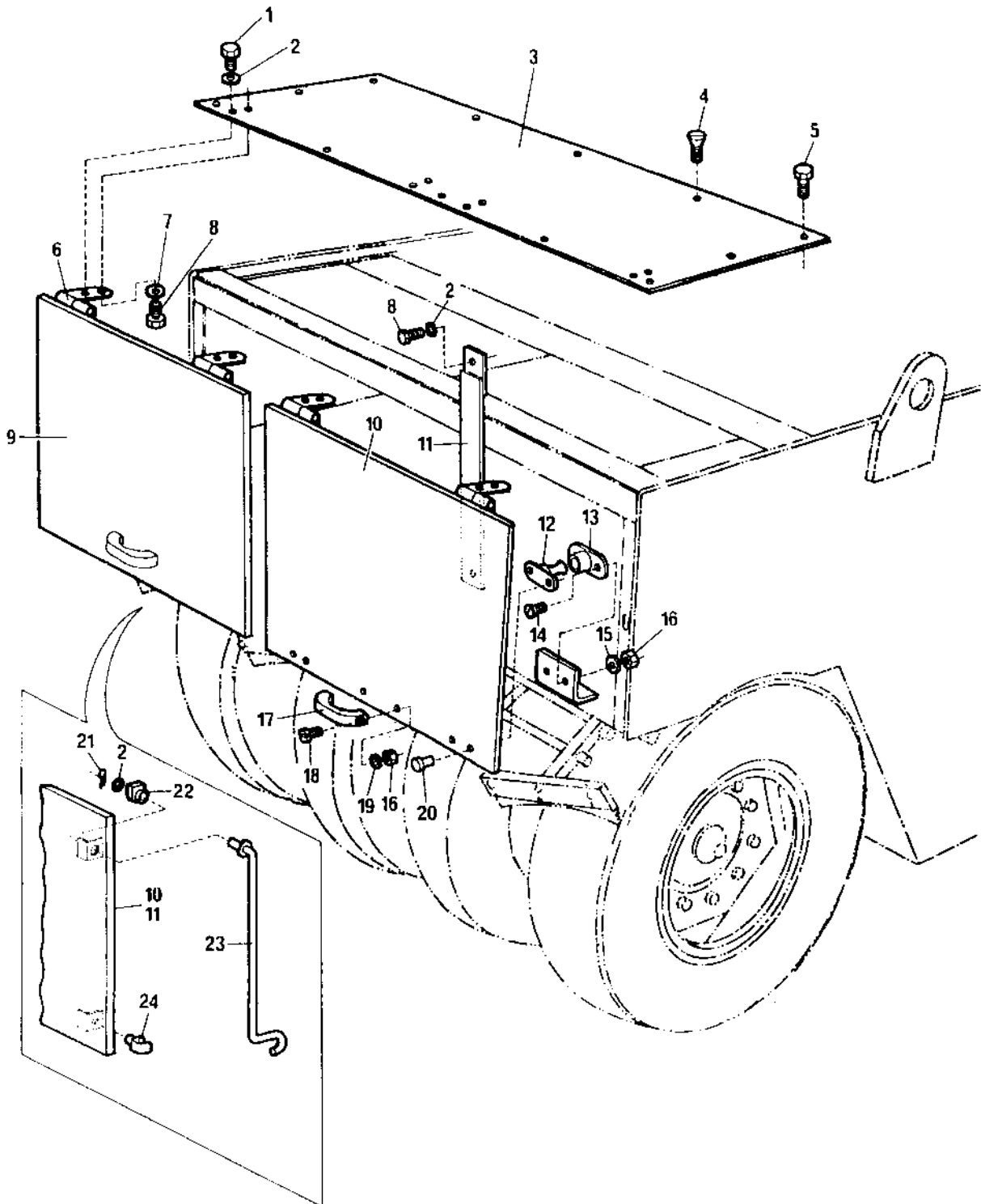


## Frame and hood

Ref. No.	Part No.	Rem.	Qty	Description	Code
1	904643		34	Screw	
3	375582		1	Fan guard	
4	375148		1	Cooler frame	
5	191947		2	Cover	
6	375529		1	Hood Up to 22620322	
	382666		1	Hood From 22620323	
7	925629		2	Shock absorber	
8	192011		1	Control panel	
9	500013		8	.Screw M6-1x16 8,8	
10	249865		2	.Hinge	
11	380764		1	.Cover	
12	380765		1	.Frame	
13	586002		8	.Lock nut M6	
14	570005		2	Nut M8	
15	375149		1	Control panel welded	
16	376387		1	Cover plate Up to 22620318	
	383013		1	Protective plate Up to 22620407 not 402	
	385708		1	Protective plate From 22620408 + 402	
17	191959		1	Protector	
18	570006		1	Nut M10	
19	500030		11	Screw M10-1,5x35H 8,8	
20	904557		12	Washer 10,5x22x4	
21	500031		1	Screw M10-1,5x40 8,8	
22	373955		1	Cover From 22620323	
23	500505		2	Screw M8x20 8,8 From 22620323	

Rear cover

16205

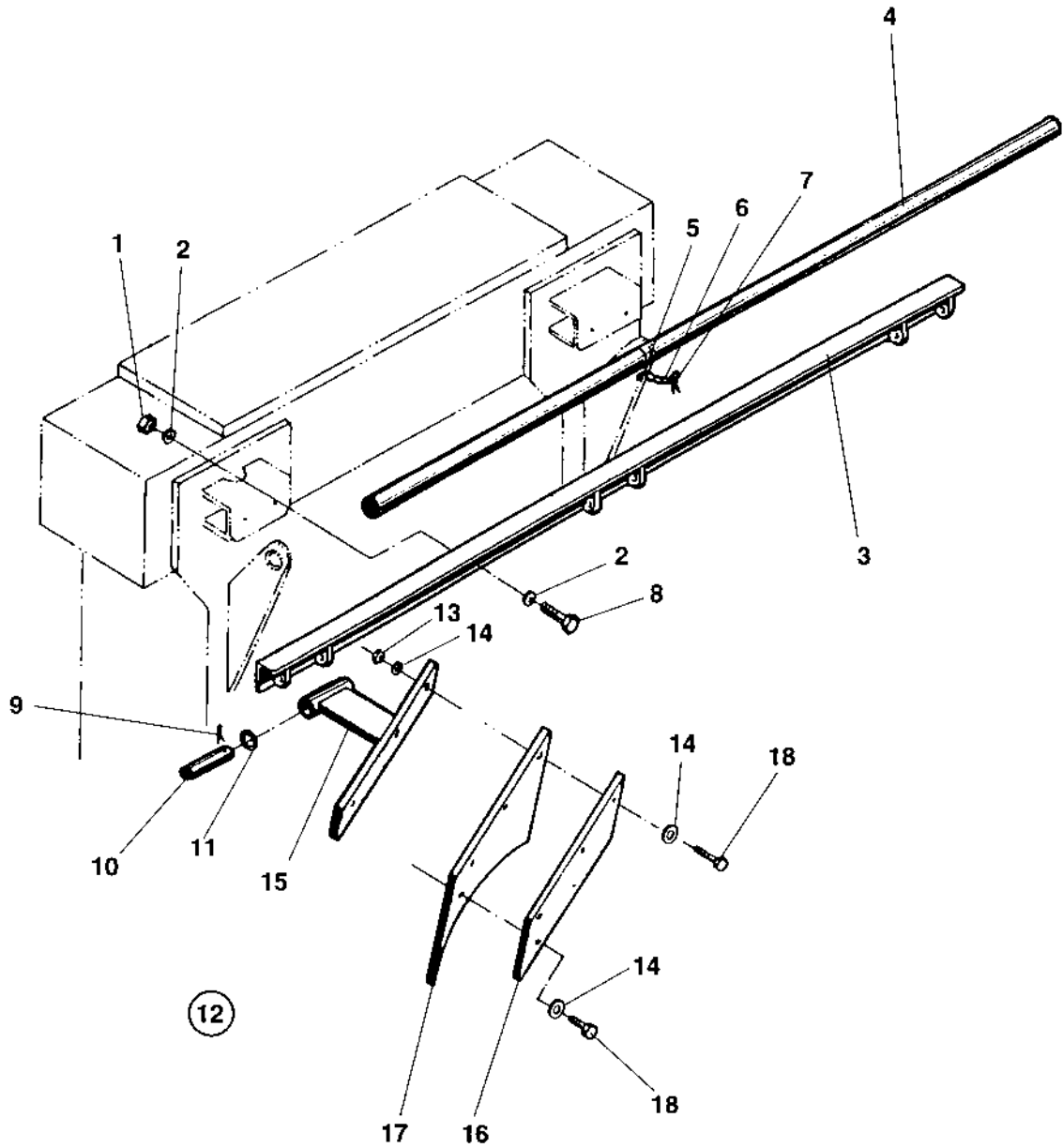


## Rear cover

Ref. No.	Part No.	Rem.	Qty	Description	Code
1	500022		4	Screw M8-1,25x30 8,8	
2	904229		8	Washer 8,4x16x1,5	
3	375098		1	Cover plate	
4	535044		3	Screw	
5	928511		9	Screw	
6	191511		4	Hinge	
7	603019		4	Washer	
8	500019		6	Screw M8-1,25x16 8,8	
9	195356		1	Cover left, cpl	
10	195355		1	Cover right, cpl	
11	195359		1	Bracket	
12	450067		4	Door bumper	D
13	450066		4	Door bumper	D
14	535008		8	Screw	
15	615041		8	Washer 5,3x11	
16	570003		12	Nut M5	
17	927210		2	Grab handle	
18	533025		4	Screw M5x12	
19	904281		4	Washer 5,3x10x1	
20	624012		8	Rivet	
21	630006		2	Cotter pin	
22	192939		2	Grommet	
23	192940		1	Rod, right	
	192941		1	Rod, left	
24	192938		2	Clamp	

Front scrapers

16206

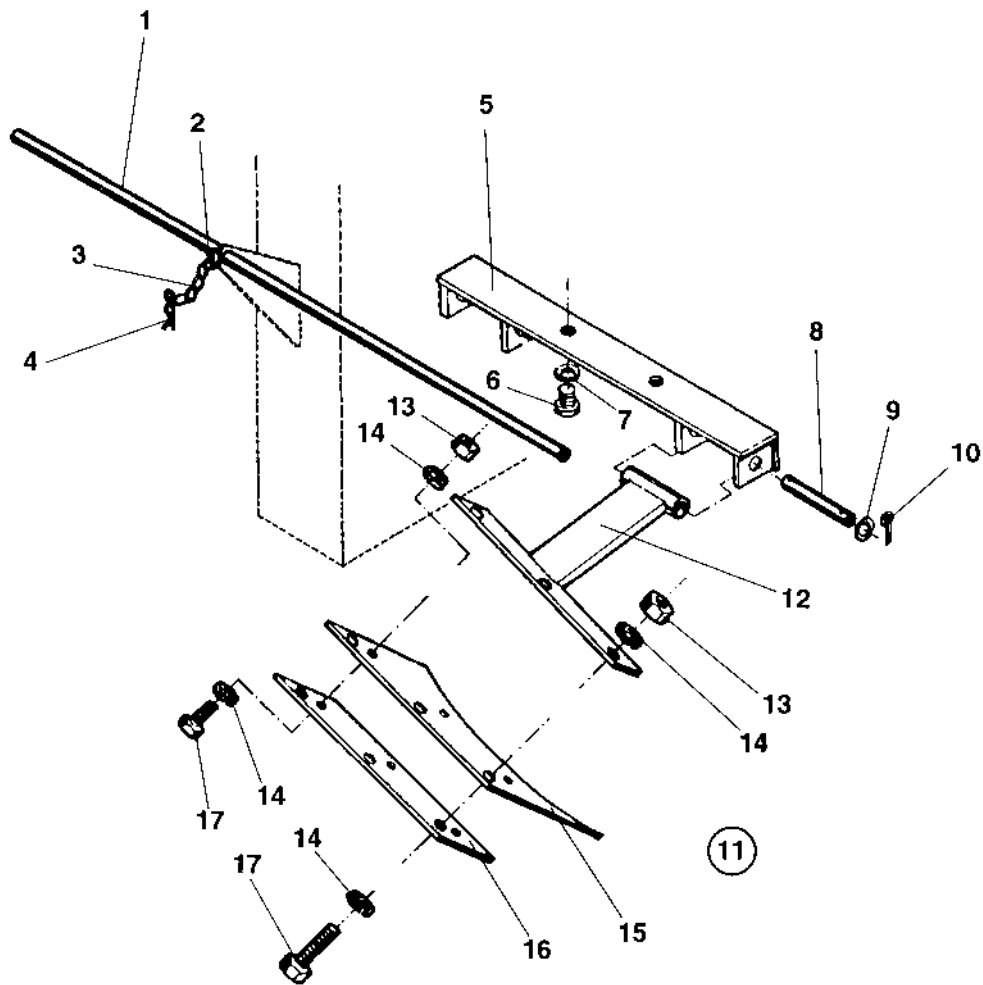


## Front scrapers

Ref. No.	Part No.	Rem.	Qty	Description	Code
1	570007		4	Lock nut M12	
2	615045		8	Conical spring washer	
3	255173		1	Scraper bracket	
4	267661		1	Shaft	
5	358254		2	Key-ring	
6	343775		2	Wire	
7	901178		2	.Hair pin	
8	500037		4	Screw M12-1,75x35 8,8	
9	630008		6	Pin	D
10	251729		3	Shaft	
11	904232		6	Washer 17x30x3	
12	380432		3	Scraper, cpl	
13	570007		6	.Lock nut M12	
14	904231		12	.Washer 13x24x2	
15	380430		1	.Bracket	
16	380428		1	.Bracket	
17	376357		1	.Scraper	B
18	500195		6	.Screw M12-1,75x50 8.8	

Rear scrapers

16207



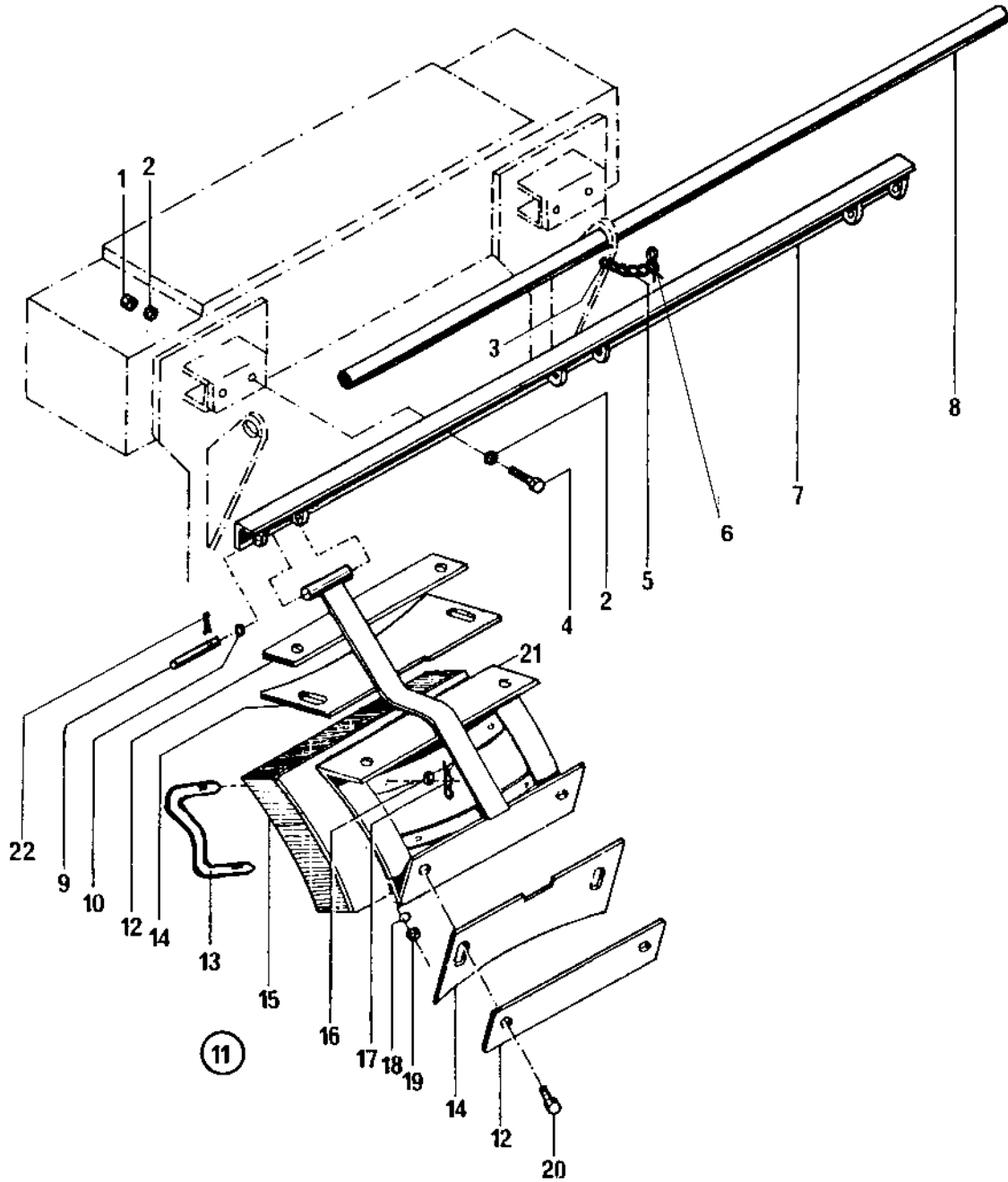


## Rear scrapers

Ref. No.	Part No.	Rem.	Qty	Description	Code
1	267660		1	Shaft	
2	358254		2	Key-ring	
3	343775		2	Wire	
4	901178		2	Hair pin	
5	251722		2	Scraper bracket	
6	500035		4	Screw M12x020H	
7	615045		4	Conical spring washer	
8	251729		4	Shaft	
9	904232		8	Washer 17x30x3	
10	630008		8	Pin	D
11	380432		4	Scraper, cpl	
12	380430		1	.Bracket	
13	570007		6	.Lock nut M12	
14	904231		12	.Washer 13x24x2	
15	376357		1	.Scraper	B
16	380428		1	.Bracket	
17	500195		6	.Screw M12-1,75x50 8.8	

Front scrapers and mat Option

16273

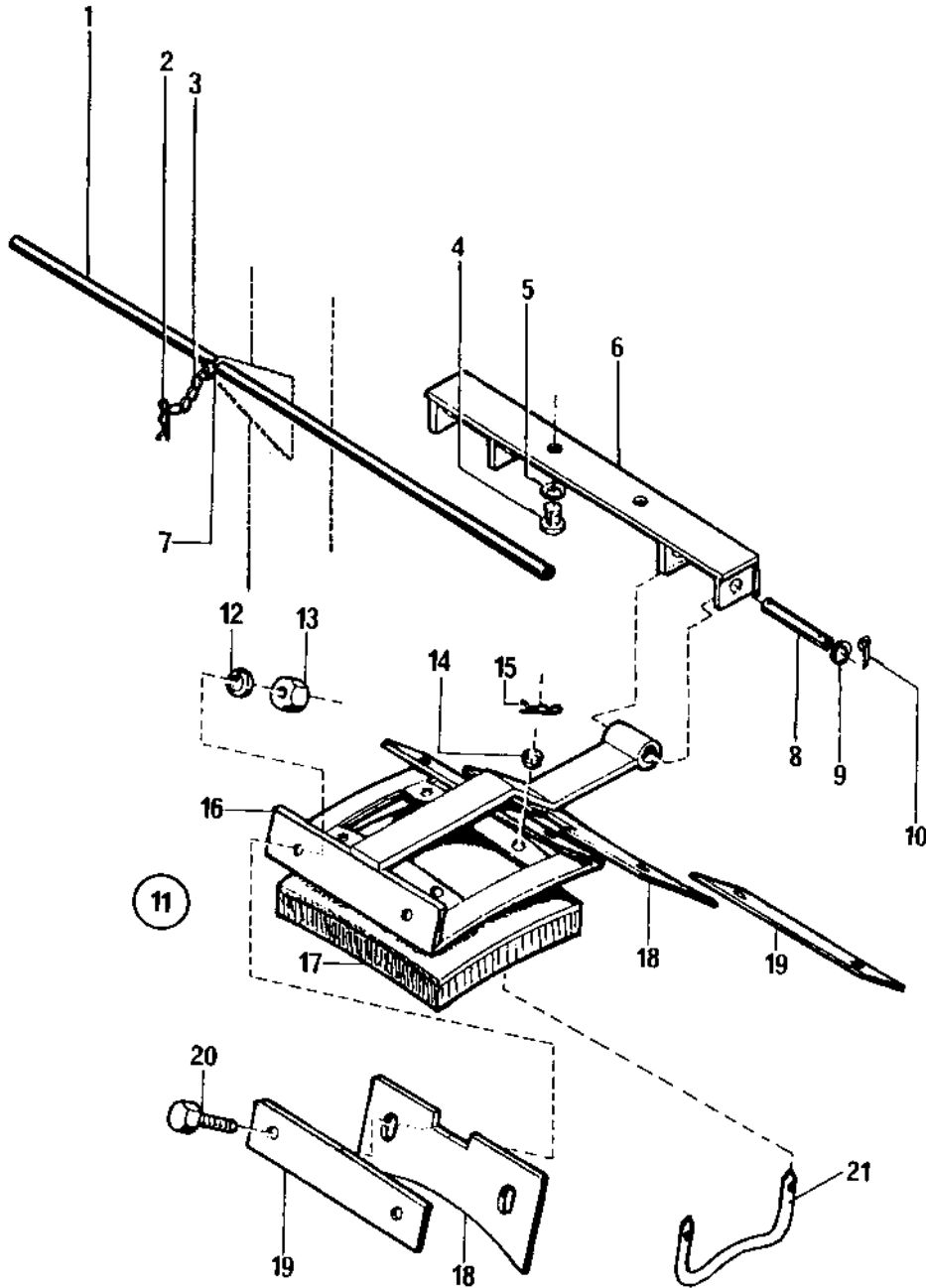


## Front scrapers and mat Option

Ref. No.	Part No.	Rem.	Qty	Description	Code
1	570004		4	Nut M6	
2	615045		8	Conical spring washer	
3	358254		2	Key-ring	
4	500037		4	Screw M12-1,75x35 8,8	
5	343775		2	Wire	
6	901178		2	Hair pin	
7	255173		1	Scraper bracket	
8	267661		1	Shaft	
9	251729		3	Shaft	
10	904232		6	Washer 17x30x3	
11	263774		3	Scraper and mat, cpl	
12	263763		2	.Plate	
13	267791		2	.Mat holder	D
14	376375		2	.Scraper	B
15	263772		1	.Mat	B
16	904639		4	.Washer 6,7x14x1,5	
17	630035		4	.Split pin	D
18	904231		4	.Washer 13x24x2	
19	586019		4	.Lock nut M12	
20	500056		4	.Screw M12x45 8,8	
21	263771		1	Bracket	
22	630008		6	Pin	D

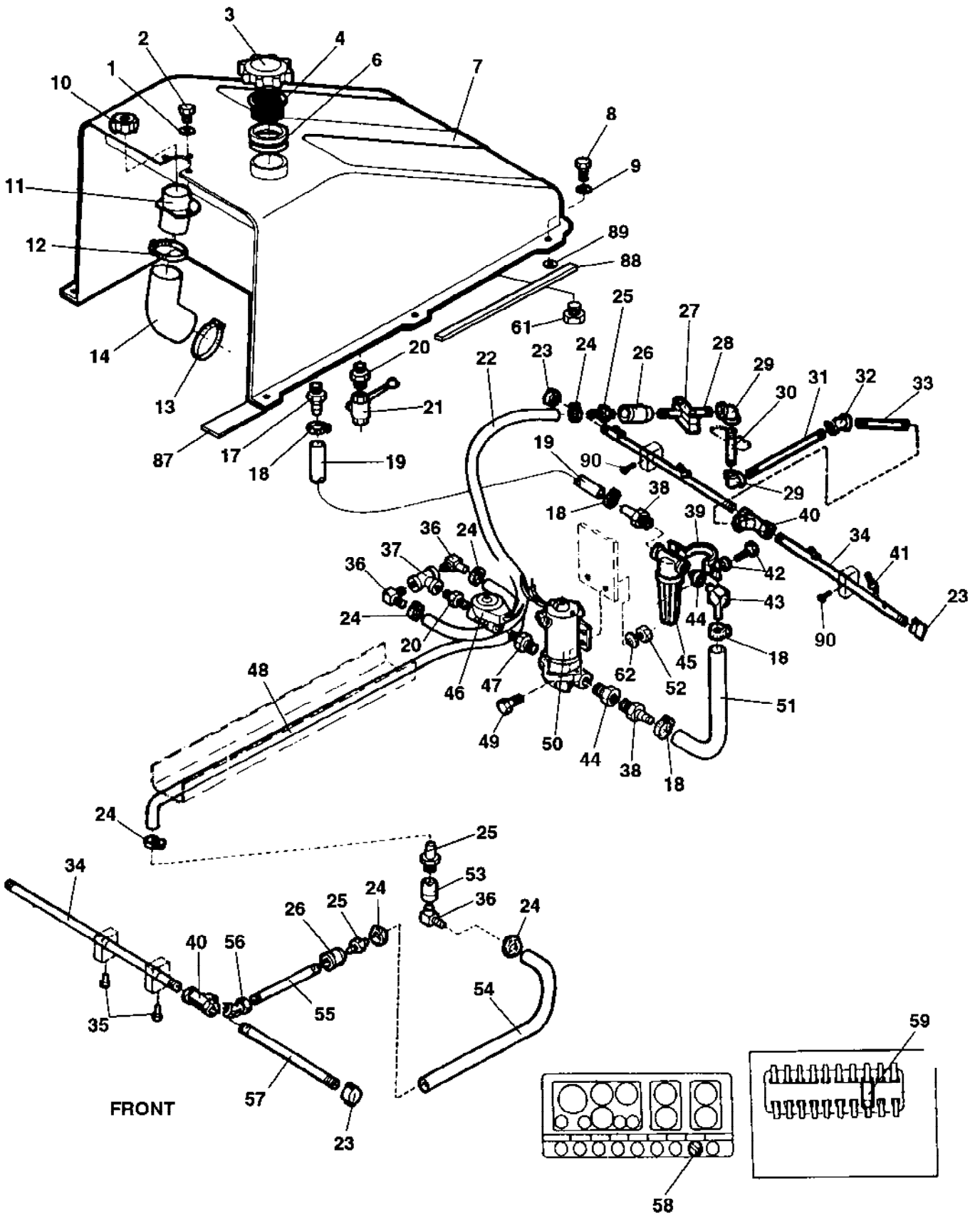
Rear scrapers and mat Option

16274



## Rear scrapers and mat Option

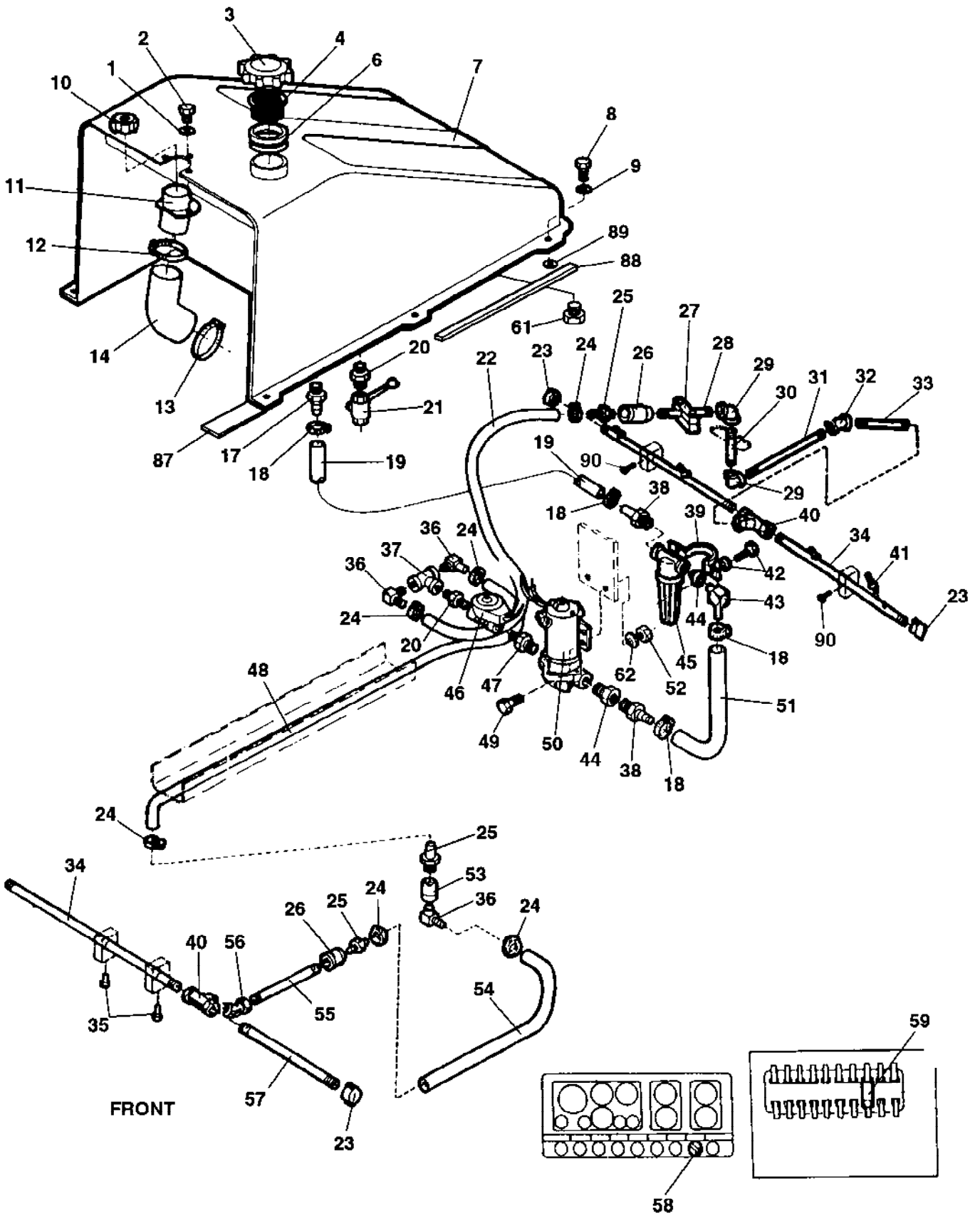
Ref. No.	Part No.	Rem.	Qty	Description	Code
1	267660		1	Shaft	
2	901178		2	Hair pin	
3	343775		2	Wire	
4	500035		4	Screw M12x020H	
5	615045		4	Conical spring washer	
6	251722		2	Scraper bracket	
7	358254		2	Key-ring	
8	251729		4	Shaft	
9	904232		8	Washer 17x30x3	
10	630008		8	Pin	D
11	263774		4	Scraper and mat, cpl	
12	904231		4	.Washer 13x24x2	
13	586019		4	.Lock nut M12	
14	904639		4	.Washer 6,7x14x1,5	
15	630035		4	.Split pin	D
16	263771		1	.Bracket	
17	263772		1	.Mat	B
18	376375		2	.Scraper	B
19	263763		2	.Plate	
20	500056		4	.Screw M12x45 8,8	
21	267791		2	.Mat holder	D



## Sprinkler system

Ref. No.	Part No.	Rem.	Qty	Description	Code
1	904229		3	Washer 8,4x16x1,5	
2	500022		3	Screw M8-1,25x30 8,8	
3	333228		1	Cap	
4	358846		1	Strainer	D
6	248511		1	Spacer	
7	193103		1	Sprinkling tank	
8	904990		6	Screw M10x50	
	947684	C,D	6	Screw M10x35	
9	904230	C,E	6	Washer 10,5x22x2	
10	373304		1	Cap	D
11	375567		1	Filling pipe	
12	904631		1	Hose clamp	
13	904059		1	Hose clamp	
14	193093		1	Filling pipe	
17	813732		1	Hose connection	
18	313002		4	Hose clamp	
19	244057	A	1	Hose	
20	901299		2	Adapter	
21	333041		1	Valve	D
22	244054		1	Hose reinforced 0,65 m	
23	331092		4	Plug	
24	313002		6	Hose clamp	
25	904694		3	Hose connection	
26	331032		1	Sleeve	
27	258333		1	Clamp	
28	259225		1	Tube	
29	331015		2	Elbow 90	
30	259225		1	Tube	
31	259226		1	Tube	
32	230543		2	Elbow 45	
33	256860		1	Tube	
34	263614		3	Tube	
35	500048		2	Screw M10-1,5x20 8,8	
36	268608		3	Hose connector	
37	331006		1	Connection	
38	254075		2	Hose connection	
39	242018		1	Clamp	
40	230469		2	T-pipe	
41	813744		7	Nozzle sprinkler	B
42	541703		2	Screw M6x16	
43	241753		1	Hose connector	
44	248491		2	Reducer	
45	248513		1	Water filter	A
46	925659		1	Solenoid valve	C
47	234317		1	Nipple	
48	244054		1	Hose reinforced 0,65 m	
49	500028		2	Screw M10-1,5x25 8,8	

- A) L=1900 mm  
 C) Old version  
 D) Together with washer 904230  
 E) Together with screw 947684





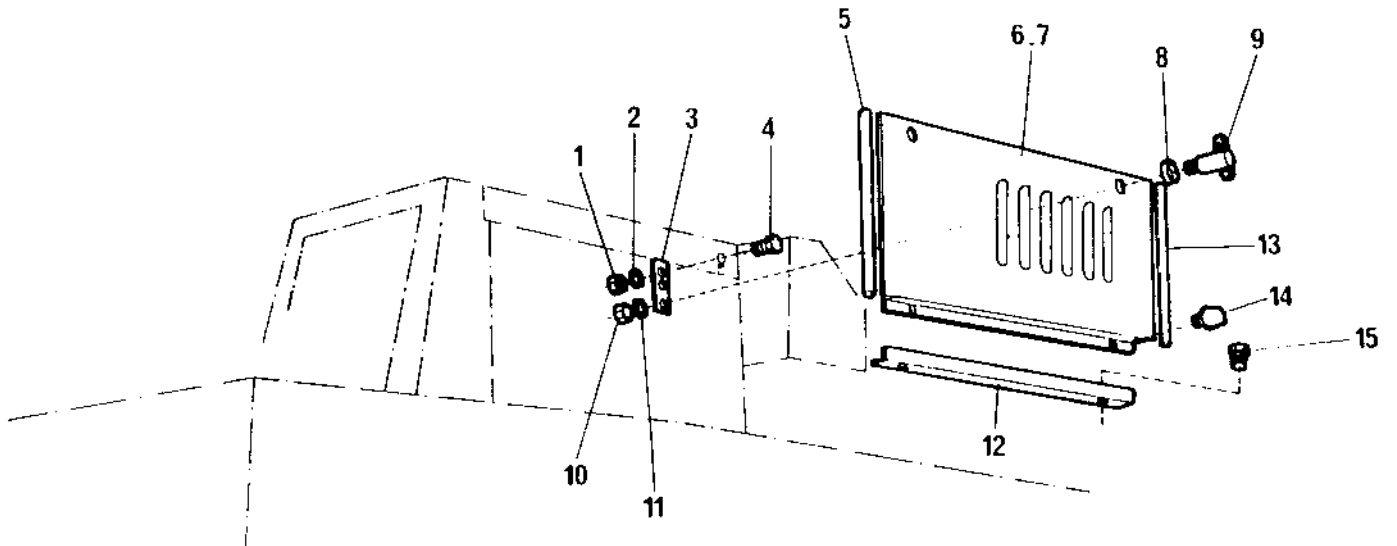
## Sprinkler system

Ref. No.	Part No.	Rem.	Qty	Description	Code
50	904808	G	1	Water pump Up to 22620334	
	383697	F	1	Water pump From 22620335	
51	244057		1	Hose	
52	570006		2	Nut M10	
53	240154		1	Connector	
54	244054		1	Hose reinforced 0,65 m	
55	258340		1	Tube	
56	232166		1	Elbow 45	
57	242122		1	Tube	
58	930151		1	Switch	D
59	928722		1	Fuse	B
61	813422		2	Plug	
62	904230		2	Washer 10,5x22x2	
87	297018	J	1	Rubber strip	
88	202046	B	1	Rubber strip 25x10	
89	904567		2	Washer 10,5x28x6	
90	500079		4	Screw M6-1x50 8,8	

- B) L=2400 mm  
 F) New version with Cannon connector, to fit the new cable harness.  
 G) Old version, without connector. To fit the old cable harness; install AMP connector 901765 together with 2 sleeves 903824 at the pump wires.  
 J) L=1450 mm

Cover assy

16271



## Cover assy

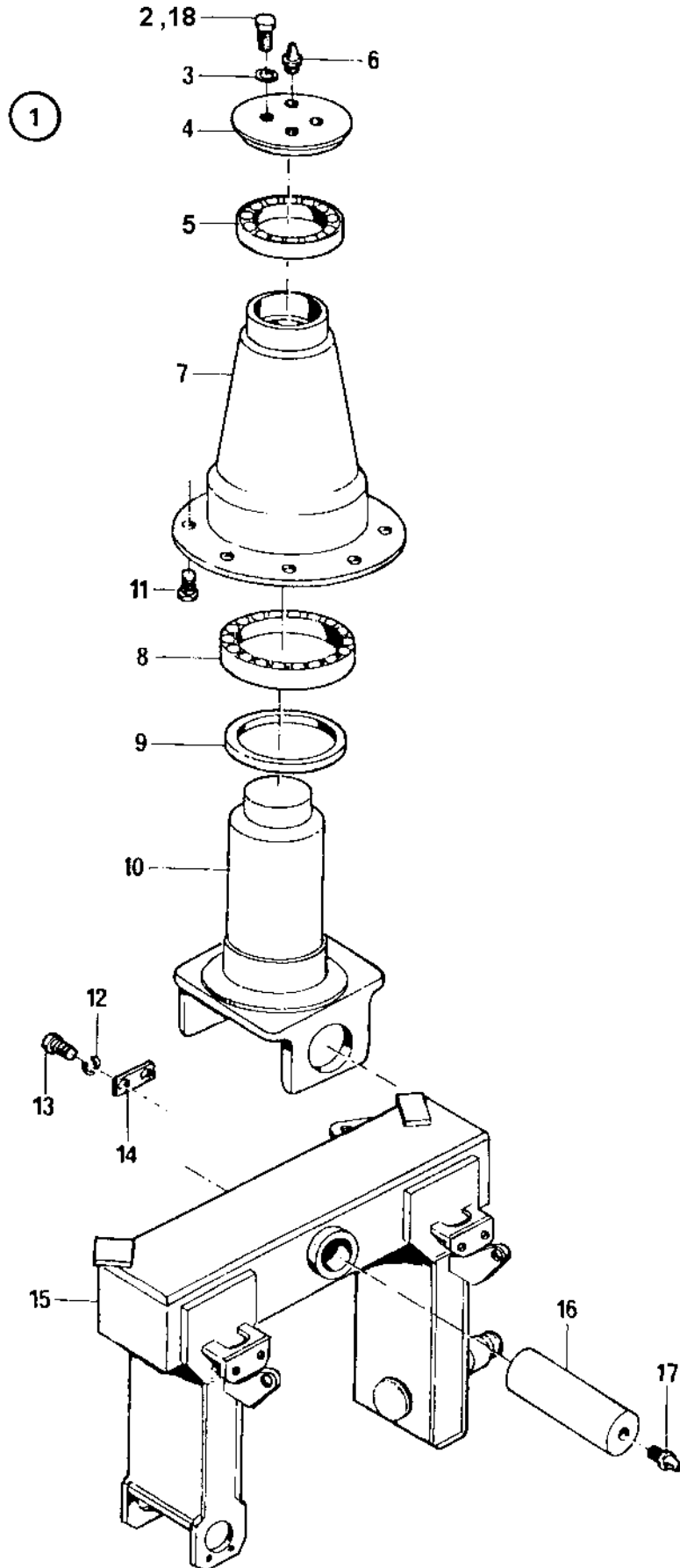
Ref. No.	Part No.	Rem.	Qty	Description	Code
1	586002		8	Lock nut M6	
2	904639		2	Washer 6,7x14x1,5	
3	192174		4	Support	
4	500040		8	Screw M6-1x20 8,8	
5	202028		2	Edge trim	
6	192172		1	Cover, left	
	385780	A	1	Cover, noise suppressed, left Option	
	385745		1	.Cover	
	385753		1	.Absorbent, left	
	385752		1	.Absorbent cover	
	791234		7	.Insulating washer	
7	192171		1	Cover, right	
	385781	A	1	Cover, noise suppressed, right Option	
	385744		1	.Cover	
	385754		1	.Absorbent, right	
	385752		1	.Absorbent cover	
	791234		7	.Insulating washer	
8	814259		4	Rubber grommet	D
9	192833		4	Reversing valve	C
10	586019		4	Lock nut M12	
11	904213		4	Washer 13x30x4	
12	192995		2	Bracket	
13	202028		2	Edge trim	
14	248765		4	Stop	
15	541703		6	Screw M6x16	

A) Introduced as option from SN 22620385



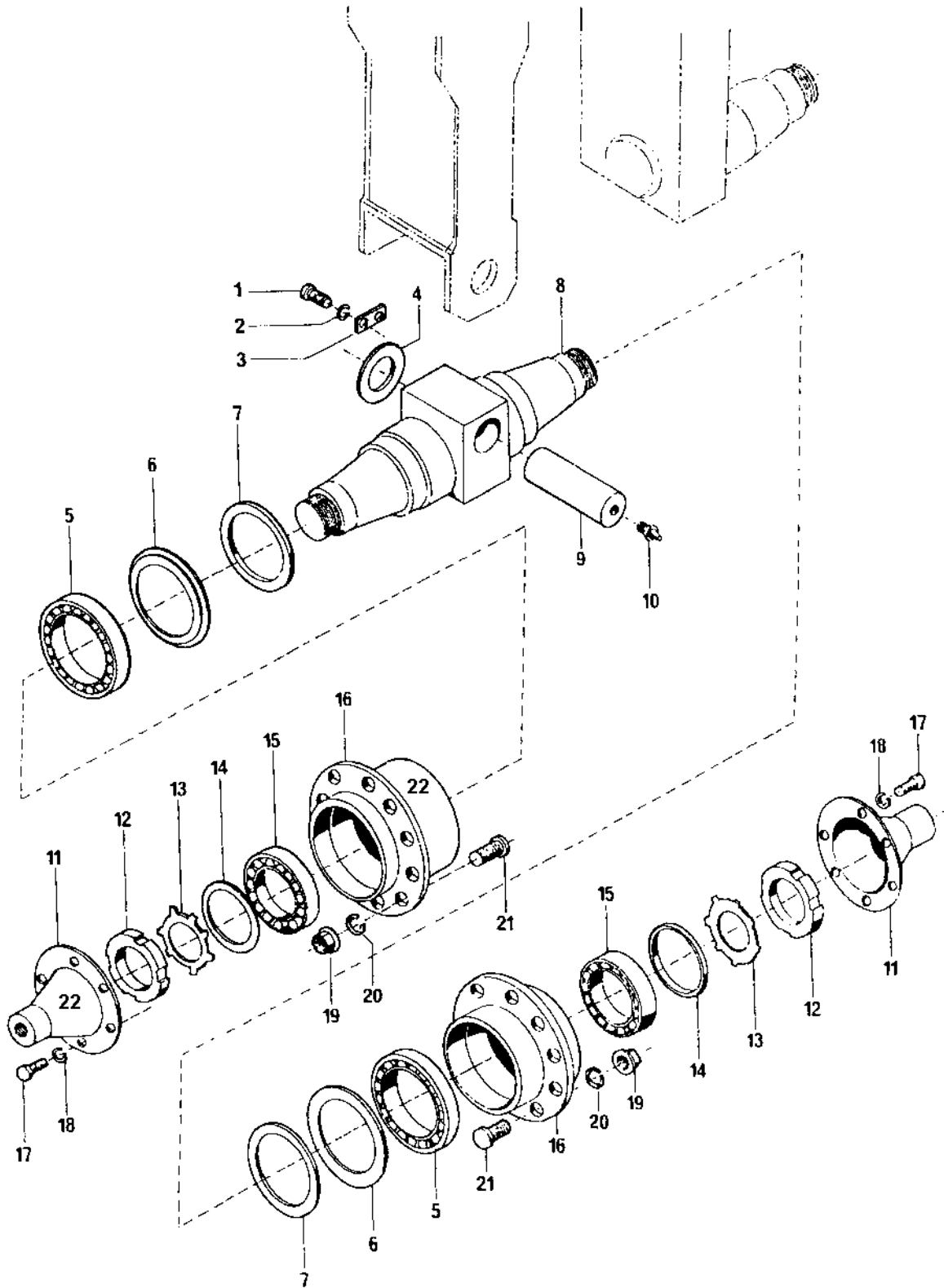
## Suspension

Ref. No.	Part No.	Rem.	Qty	Description	Code
10				Steering link ( Page 28 )	
20				Front suspension ( Page 30 )	
30				Rear suspension ( Page 32 )	
40	195176			Chain protector ( Page 36 )	
50				Wheel ( Page 38 )	
60				Spare wheel Option ( Page 46 )	
70				Pneumatic circuit diagram Option ( Page 48 )	
80				Air on the run Option ( Page 50 )	
90				Diagram brake circuit ( Page 54 )	
100				Brake circuit up to SN 22620359 ( Page 58 )	
110				Brake circuit from SN 22620360 ( Page 64 )	
120				Compressor assembly ( Page 68 )	
130				Parking brake circuit From 22620430 ( Page 74 )	
135				Parking brake From 22620430 ( Page 78 )	
140				Master cylinder From 22620430 ( Page 82 )	



## Steering link

Ref. No.	Part No.	Rem.	Qty	Description	Code
1	256422		1	Bearing housing, cpl	
2	502058		3	.Screw 1/2 UNC	
3	904231		3	.Washer 13x24x2	
4	254089		1	.Cover	
5	116031		1	.Bearing	
6	310037		1	.Grease nipple	D
7	254032		1	.Bearing housing	
8	116006		1	.Bearing	D
9	254750		1	.Ring	
10	254030		1	.Fork	
11	503093		8	Screw	
12	904231		2	Washer 13x24x2	
13	502057		2	Screw	
14	253931		1	Lock plate	
15	259361		1	Fork	
16	253929		1	Pin	
17	310037		1	Grease nipple	D
18	902541	A	1	Lock fluid Loctite 243, 50 ml	
A)	50 ml				

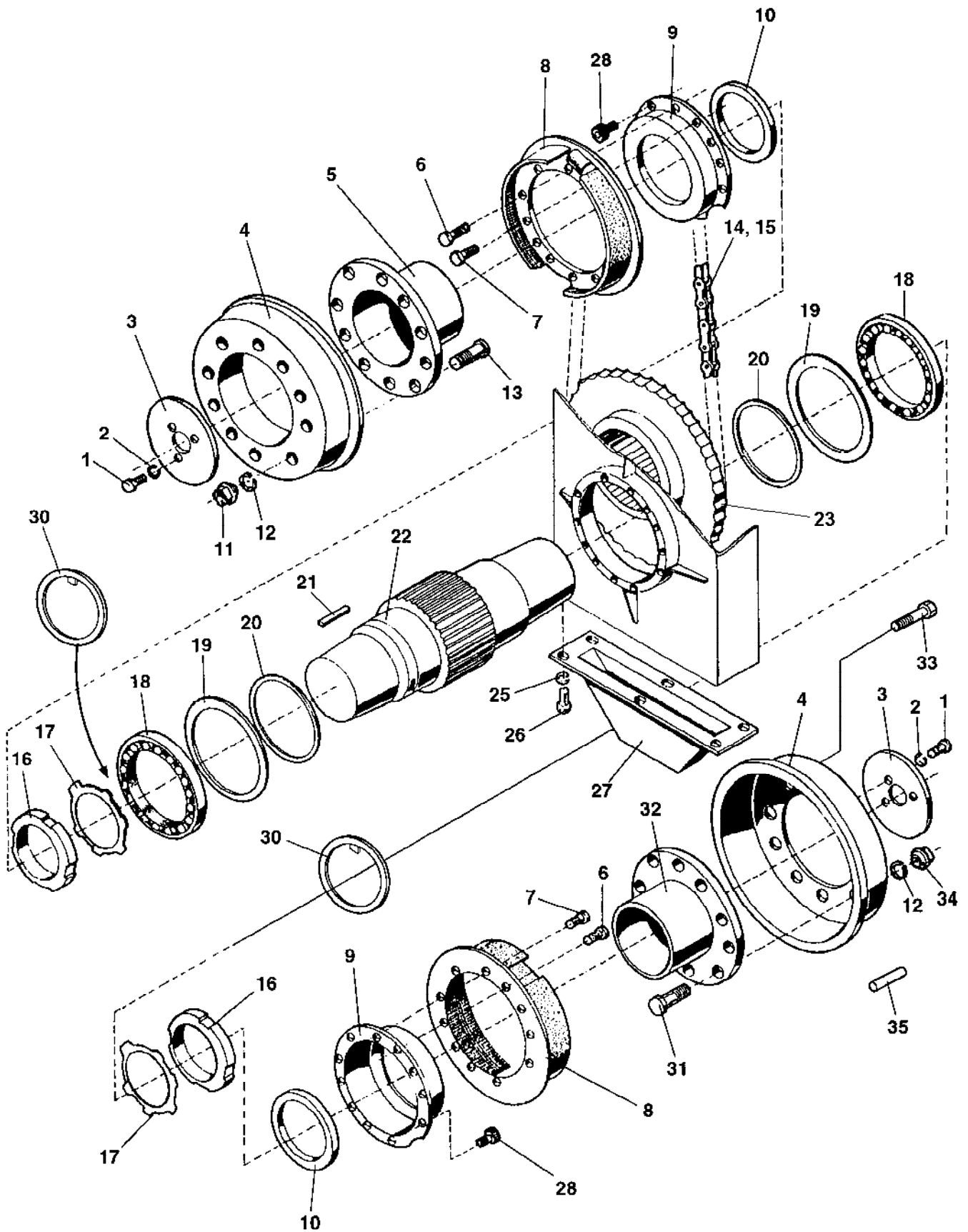




## Front suspension

Ref. No.	Part No.	Rem.	Qty	Description	Code
1	500051		2	Screw M12-1,75x25 8,8	
2	904231		2	Washer 13x24x2	
3	259211		1	Snap plate	
4	259349		2	Spacer	
5	116016		3	Bearing	B
6	255658		3	Ring	
7	163108		3	Seal ring	
8	256127		1	Shaft	
9	258729		1	Pin	
10	310037		1	Grease nipple	D
11	256157		3	Bearing cover	
12	135011		3	Lock nut	
13	136011		3	Lock washer	
14	252668		3	Ring	
15	116009		3	Bearing	B
16	256159		3	Wheel hub	
17	502017		18	Screw	
18	904229		18	Washer 8,4x16x1,5	
19	754014		28	Nut	
20	902252		28	Washer	
21	754105		28	Screw	
22	490065	A		Lube grease SKF LGHQ3	

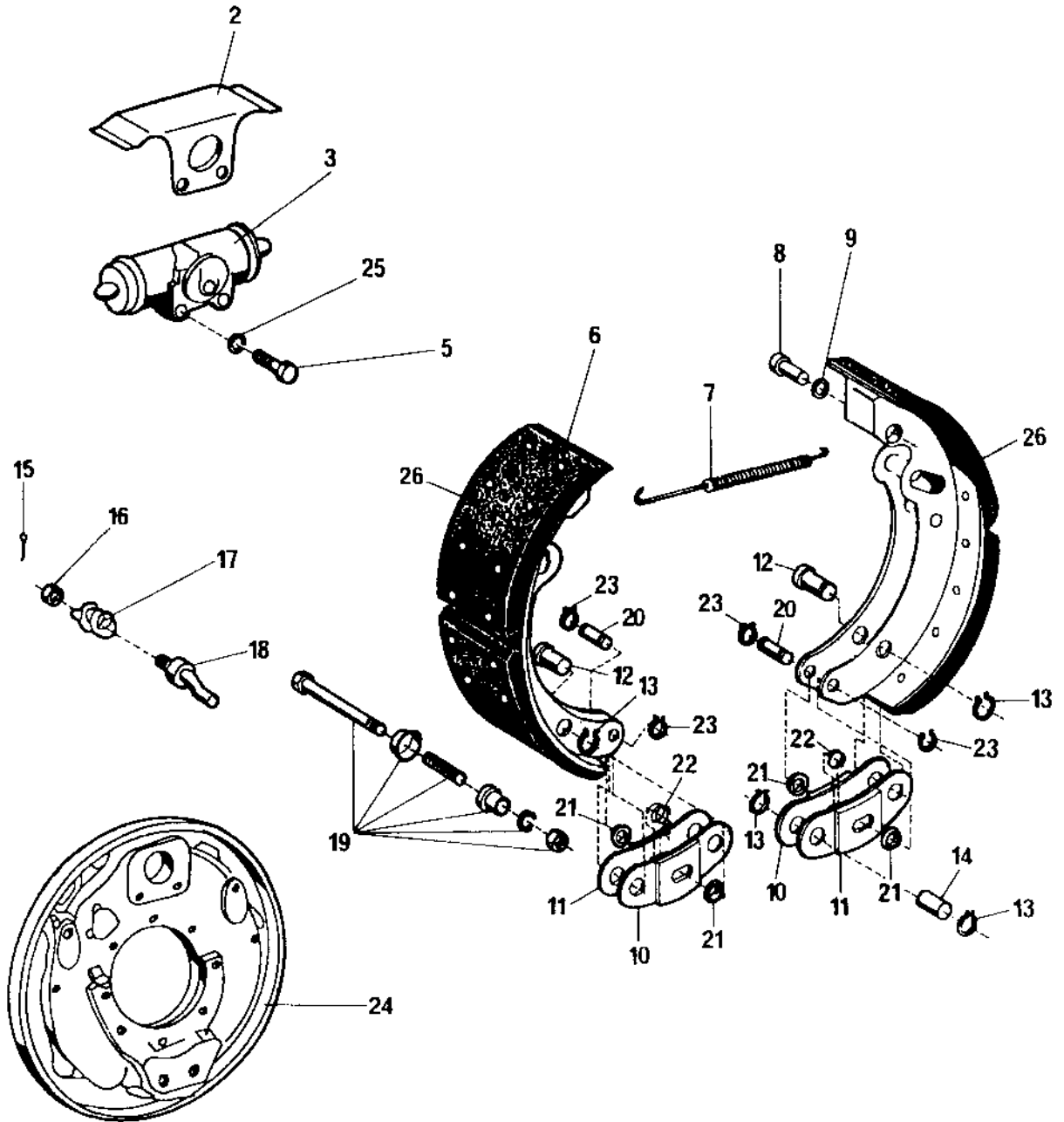
A) Quantity as required



## Rear suspension

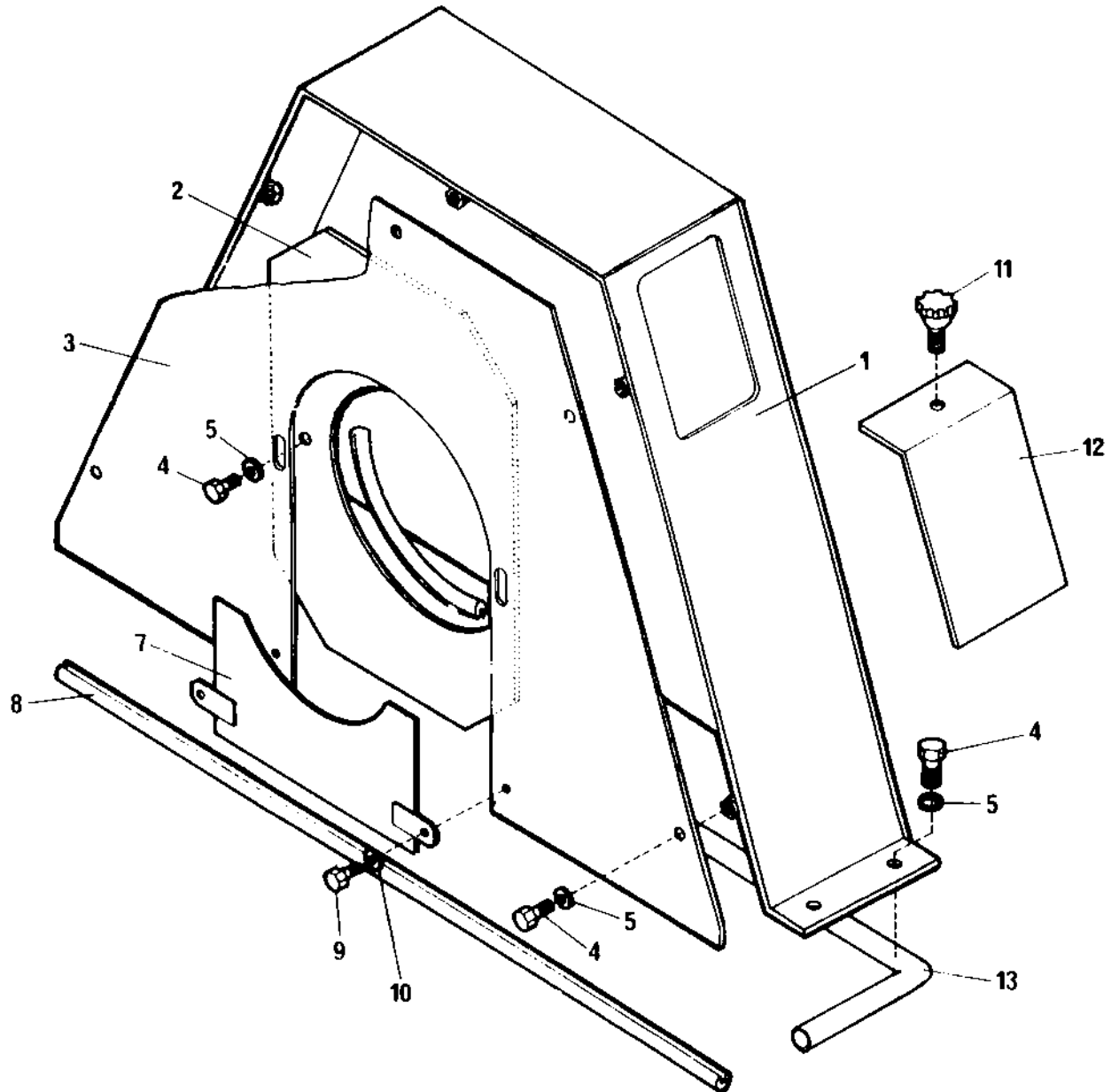
Ref. No.	Part No.	Rem.	Qty	Description	Code
1	947696		12	Screw M16x45	
2	904232		12	Washer 17x30x3	
3	254088		4	Snap plate	
4	253745		4	Brake drum	
5	253747	A	2	Wheel hub	
6	375152		12	Spacer	
7	900724	B	20	Screw	
	375152	B	20	Spacer	
8	259219		4	Brake ( Page 34 )	
9	268419		4	Bearing cover	
10	161084		4	Seal ring	
11	754014		20	Nut	
12	902252		40	Washer	
13	747097		20	Wheel stud	
14	417055		2	Chain	D
15	417040		2	Chain lock	D
16	381717	G	4	Lock nut	
17	136021		4	Washer	
18	116018		4	Bearing	B
19	134051		4	Ring	
20	150038		4	Snap ring	D
21	350082		4	Flat key	
22	259088		2	Shaft	
23	380187		2	Chain wheel	
25	904557		12	Washer 10,5x22x4	
26	500028		12	Screw M10-1,5x25 8,8	
27	261490		2	Cover	
28	509028		56	Screw	
30	376465		4	Spacer ring	
31	754105	C	20	Screw Up to 22620304	
32	253747	E	2	Wheel hub Up to 22620304	
	382858	F	2	Wheel hub From 22620305	
33	904920	D	20	Screw M20-1,5x60 10,9 From 22620305	
34	754014	C	20	Nut Up to 22620304	
35	904930	D	4	Parallel pin From 22620305	

- A) Outer  
 B) Screw and spacer together  
 C) For hub without threaded holes  
 D) For hub with threaded holes  
 E) Hub without threaded holes  
 F) Hub with threaded holes  
 G) Not used as spare part; we recommend 381716 together with 4 pcs of 516049 (totally 16 pcs)



## 259219 Brake

Ref. No.	Part No.	Rem.	Qty	Description	Code
2	754025		1	.Protecting plate	
3	415114		1	.Brake cylinder	D
5	500028		2	.Screw M10-1,5x25 8,8	
6	754009		2	.Brake disc	B
7	754022		2	.Spring	
8	754006		2	.Spring holder	
9	754001		2	.Lock	
10	754027		2	.Rod end	
11	754026		2	.Rod end	
12	754021		2	.Pin	
13	754029		6	.Snap ring	
14	754020		2	.Pin	
15	754007		2	.Pin	
16	754016		2	.Nut	
17	754024		2	.Spring	
18	754010		2	.Adjusting bolt	
19	754012		2	.Mounting kit	D
20	754019		2	.Pin	
21	754028		4	.Seat	
22	754023		2	.Spring	
23	754018		4	.Lock	
24	263100		1	.Wheel column	
25	604007		2	.Spring washer	
26	754010		2	.Adjusting bolt	



Ref. No.	Part No.	Rem.	Qty	Description	Code
1	195177		1	Cover plate, left	
	195178		1	Cover plate, right	
2	195034		1	Cover	
3	195181		2	Cover	
4	500043		22	Screw M10x16H 8,8	
5	904230		22	Washer 10,5x22x2	
7	195182		1	Cover	
8	246947	A		Rubber strip	
9	500188		4	Screw M8-1,25x14 8,8	
10	904229		4	Washer 8,4x16x1,5	
11	904596		2	Hand knob	
12	195180		2	Cover	
13	202057	B		Edge trim	D

A) L=1084MM  
B) L=1548MM



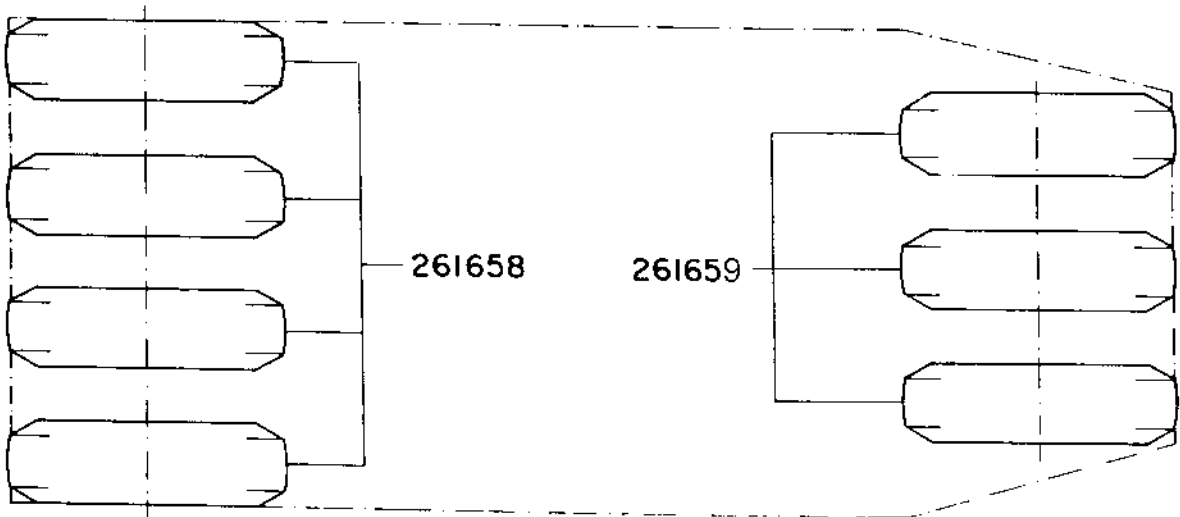
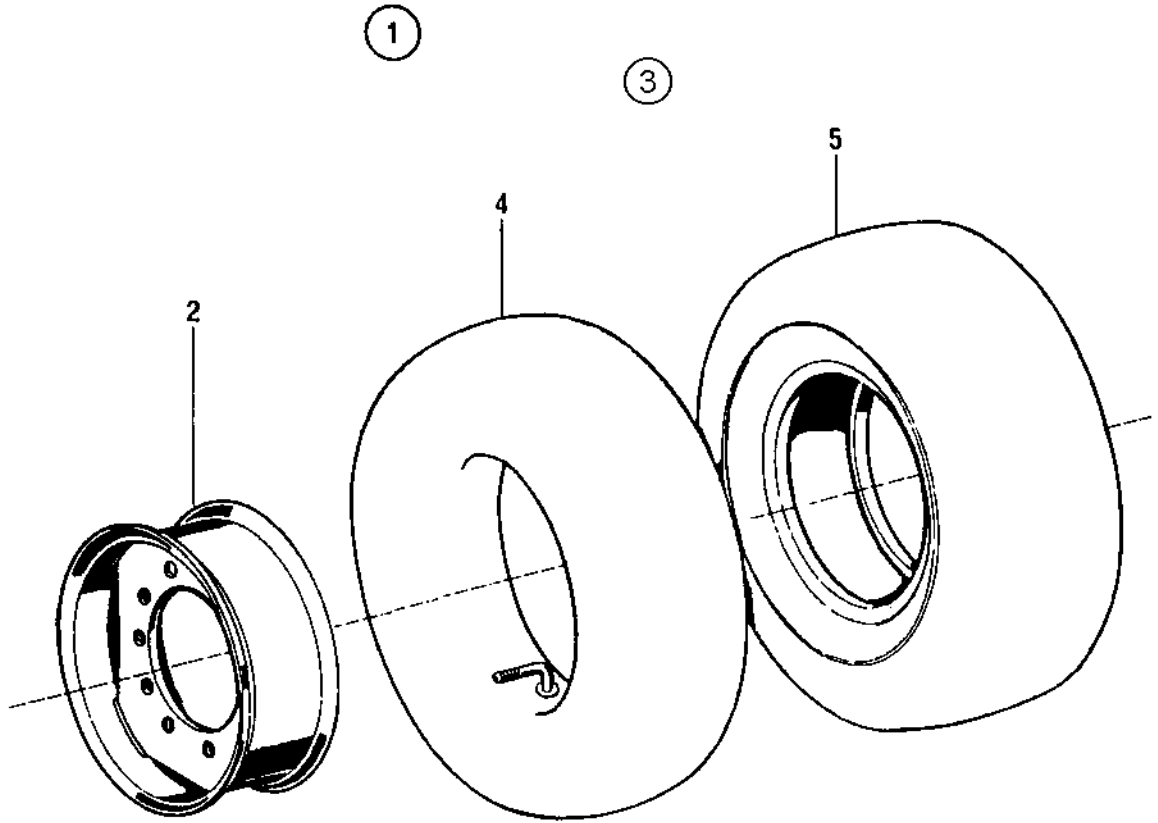


## Wheel

Ref. No.	Part No.	Rem.	Qty	Description	Code
51				Wheel with Bridgestone tyre ( Page 40 )	
52				Wheel with Michelin tyre ( Page 42 )	
53				Wheel with Firestone tyre ( Page 44 )	

Wheel with Bridgestone tyre

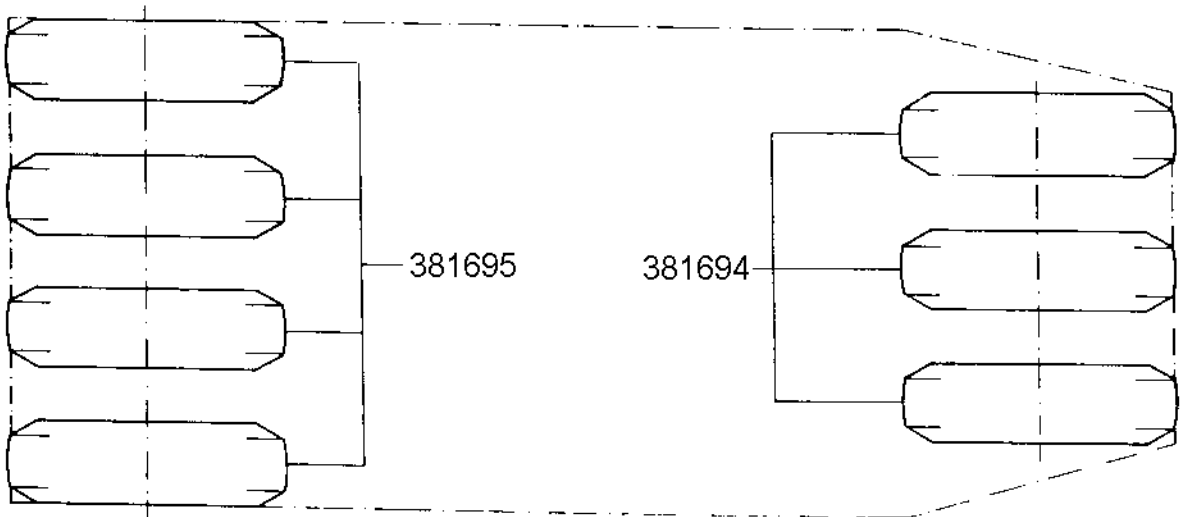
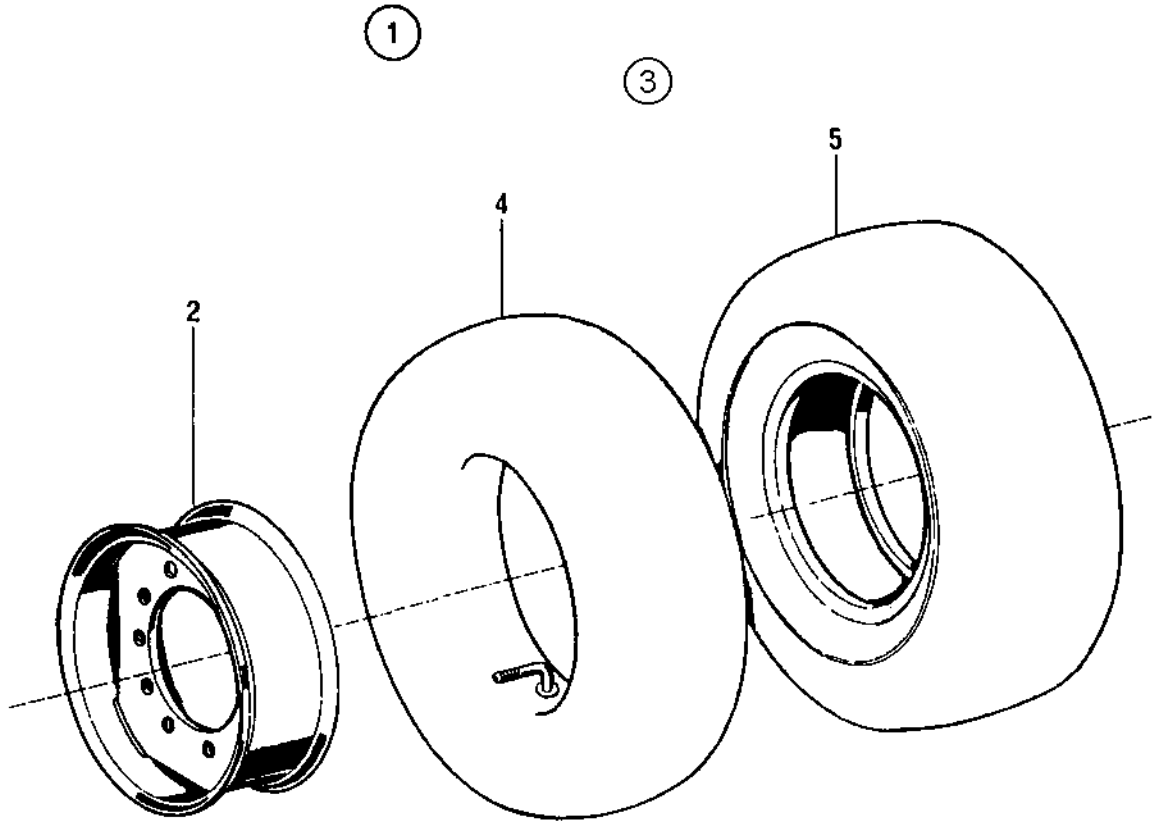
16242-2



## Wheel with Bridgestone tyre

Ref. No.	Part No.	Rem.	Qty	Description	Code
1	261659	D,E	3	Wheel, cpl	
	261658	D	4	Wheel, cpl	
2	259089	A	1	.Rim	
	250658	B	1	.Rim	
3	269482	D	1	.Inner tube and tyre	
4	195414		1	..Inner tube	
5	904763	C,D	1	..Tyre, smooth	B

- A) Included in 261659  
B) Included in 261658  
C) Bridgestone  
D) Attention: Don't mix different types of tyres on the same machine, cause the specifications are different and don't match.  
E) Earlier used 261657 is replaced by 261659.



## Wheel with Michelin tyre

Ref. No.	Part No.	Rem.	Qty	Description	Code
1	381694	D	3	Wheel, cpl	
	381695	D	4	Wheel, cpl	
2	259089	A	1	.Rim	
	250658	B	1	.Rim	
3	381620	D	1	.Inner tube and tyre	
4	195414		1	..Inner tube	
5	901317	C,D	1	..Tyre	B

A) Included in 381694

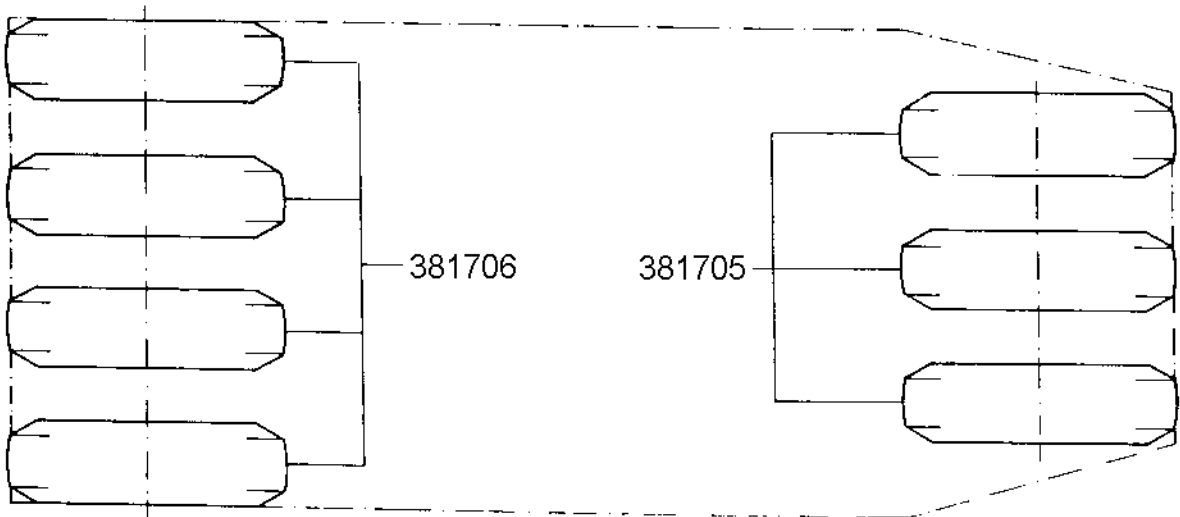
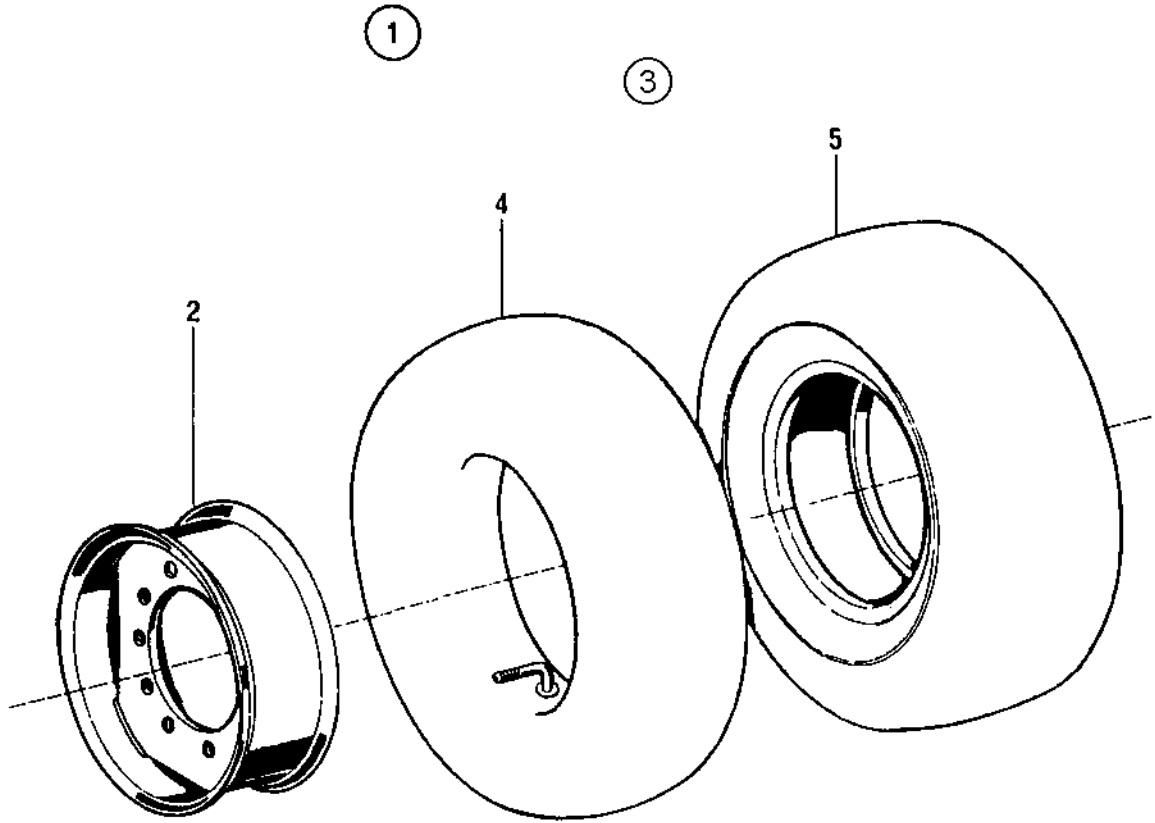
B) Included in 381695

C) Michelin

D) Attention: Don't mix different types of tyres on the same machine, cause the specifications are different and don't match.

Wheel with Firestone tyre

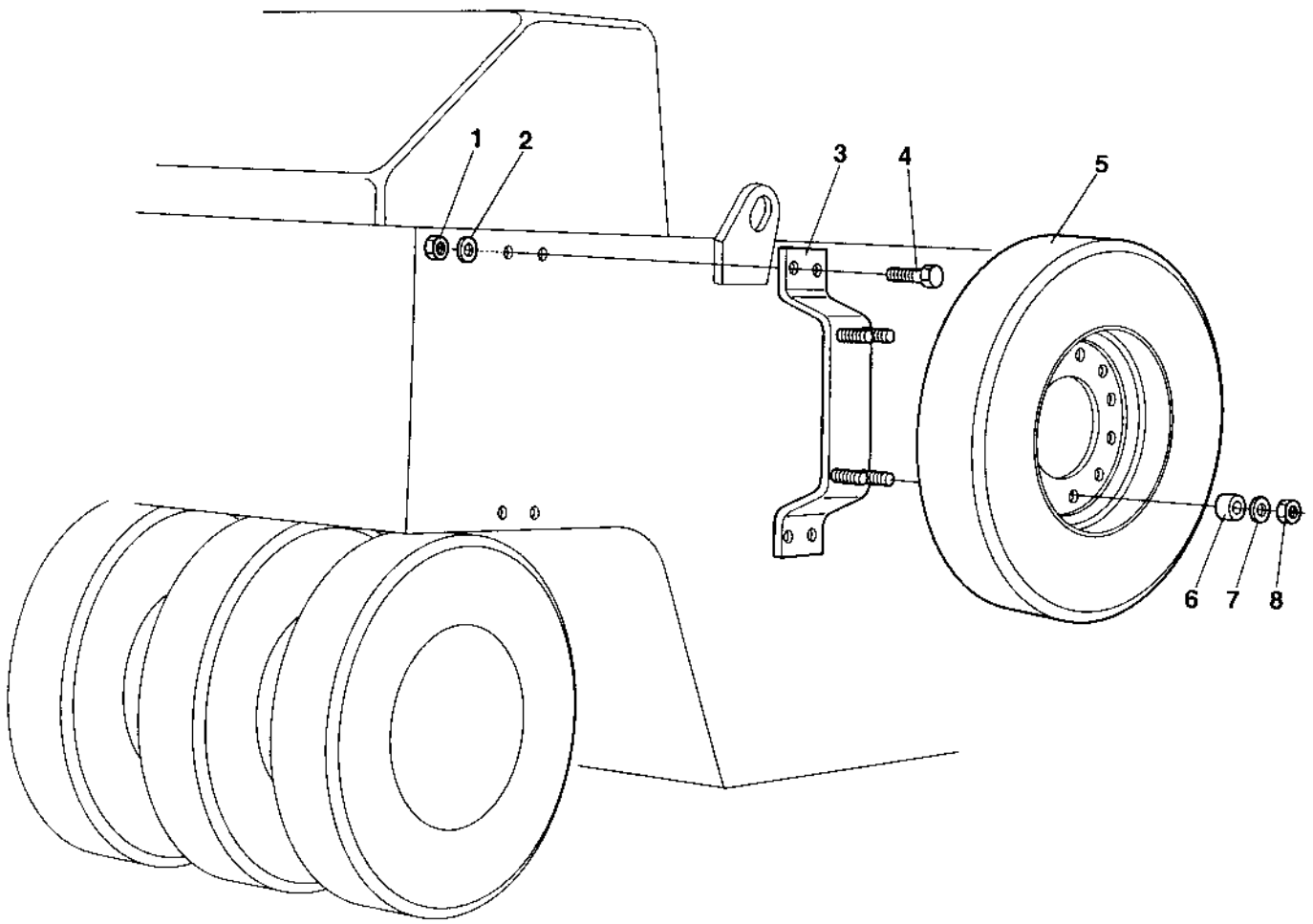
17762



## Wheel with Firestone tyre

Ref. No.	Part No.	Rem.	Qty	Description	Code
1	381705	D	3	Wheel, cpl	
	381706	D	4	Wheel, cpl	
2	259089	A	1	.Rim	
	250658	B	1	.Rim	
3	381704	D	1	.Inner tube and tyre	
4	195414		1	..Inner tube	
5	401048	C,D	1	..Tyre	B

- A) Included in 381705
- B) Included in 381706
- C) Firestone
- D) Attention: Don't mix different types of tyres on the same machine, cause the specifications are different and don't match.



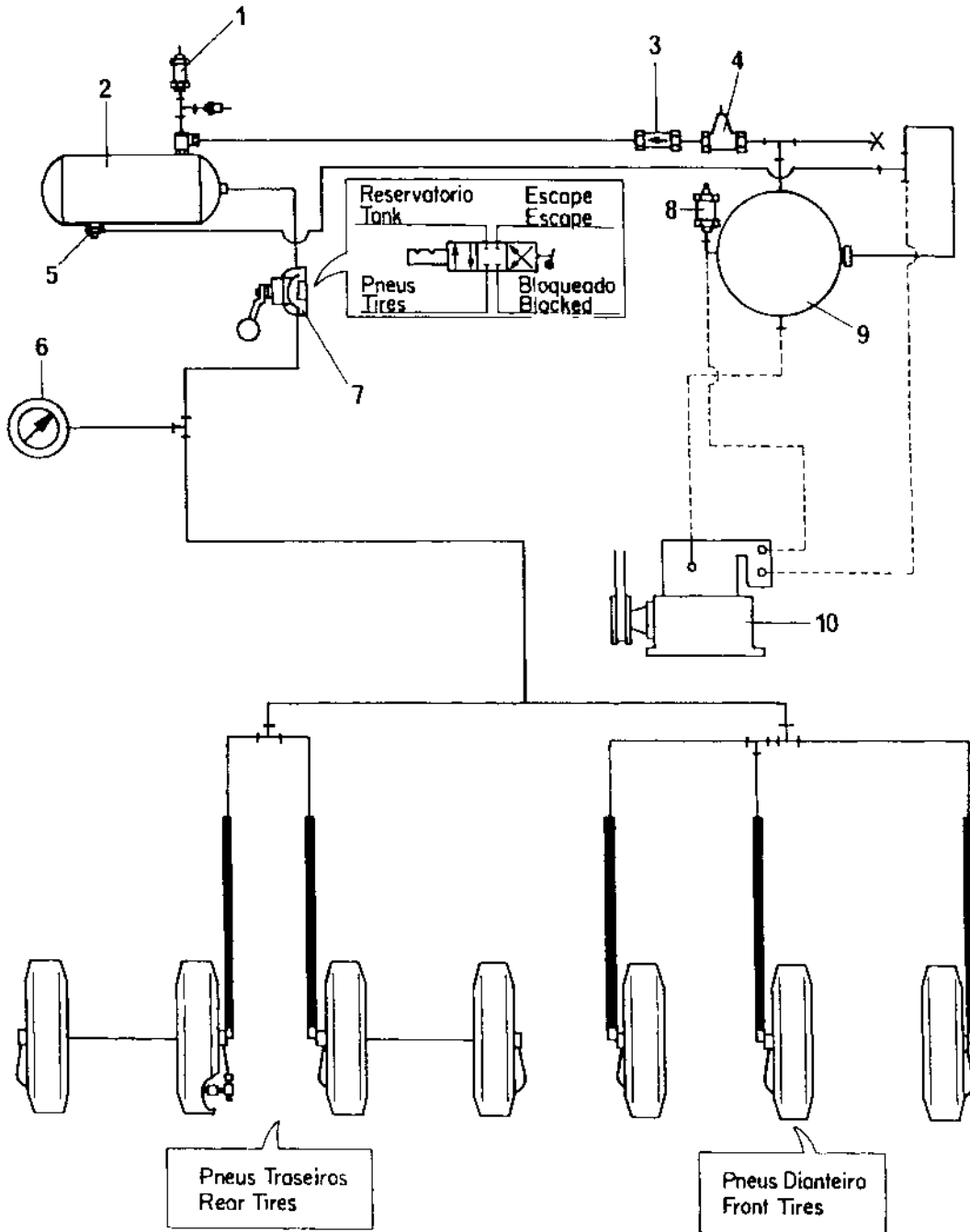


Ref. No.	Part No.	Rem.	Qty	Description	Code
1	570015		4	Nut M20	
2	904233		8	Washer 21x36x3	
3	257028		1	Bracket	
4	500101		4	Screw M20x50	
5	261658	A,D	1	Wheel, cpl	
	381695	B,D	1	Wheel, cpl	
	381706	C,D	1	Wheel, cpl	
6	257029		4	Spacer	
7	902252		4	Washer	
8	754014		4	Nut	

- A) Bridgestone
- B) Michelin
- C) Firestone
- D) Attention: Don't mix different types of tyres on the same machine, cause the specifications are different and don't match.

Pneumatic circuit diagram Option

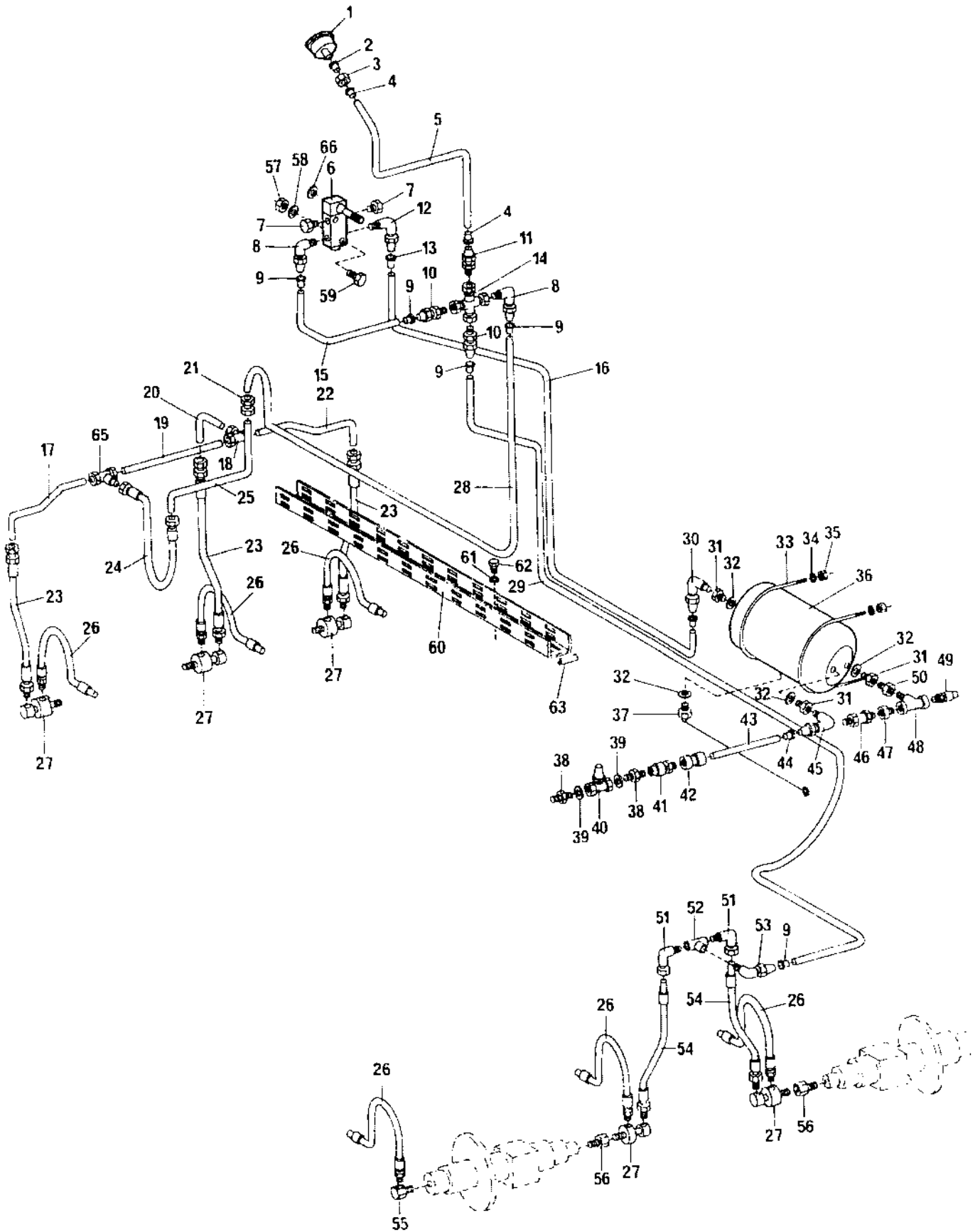
16243



## Pneumatic circuit diagram Option

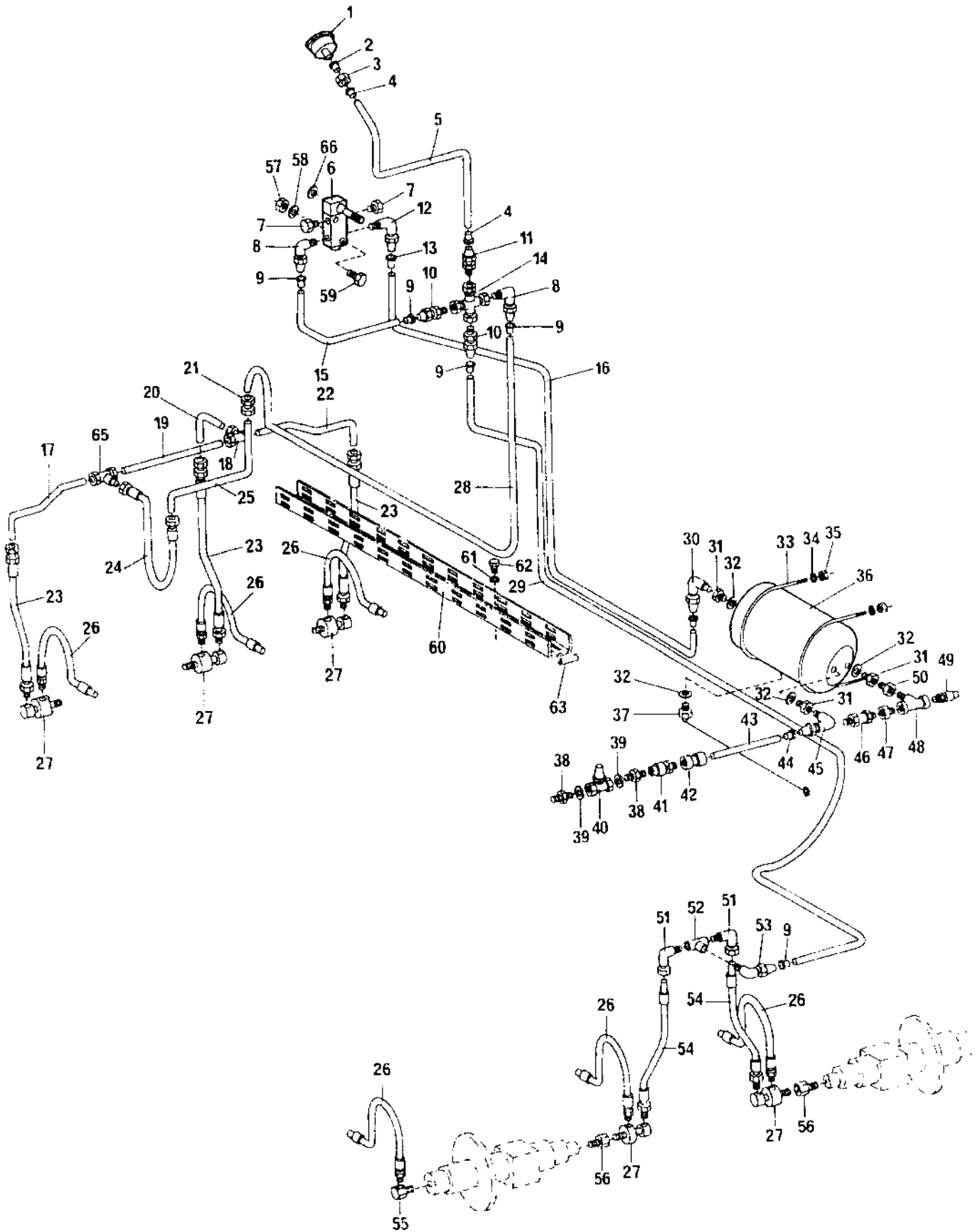
Ref. No.	Part No.	Rem.	Qty	Description	Code
1	333062		1	Safety valve	D
2	255907		1	Air tank	
	384615	A	1	Air tank From 22620355	
3	912120		1	Check valve	D
4	333067		1	Valve	D
5	333053		1	Drain valve	D
	195054		1	Drain valve	
6	266221		1	Manometer	D
7	190886		1	Valve	
	194362		1	Valve	
8	333062		1	Safety valve	D
9			1	Air tank	D
10				Compressor, see another assembly	D

A) Replaces earlier 902139



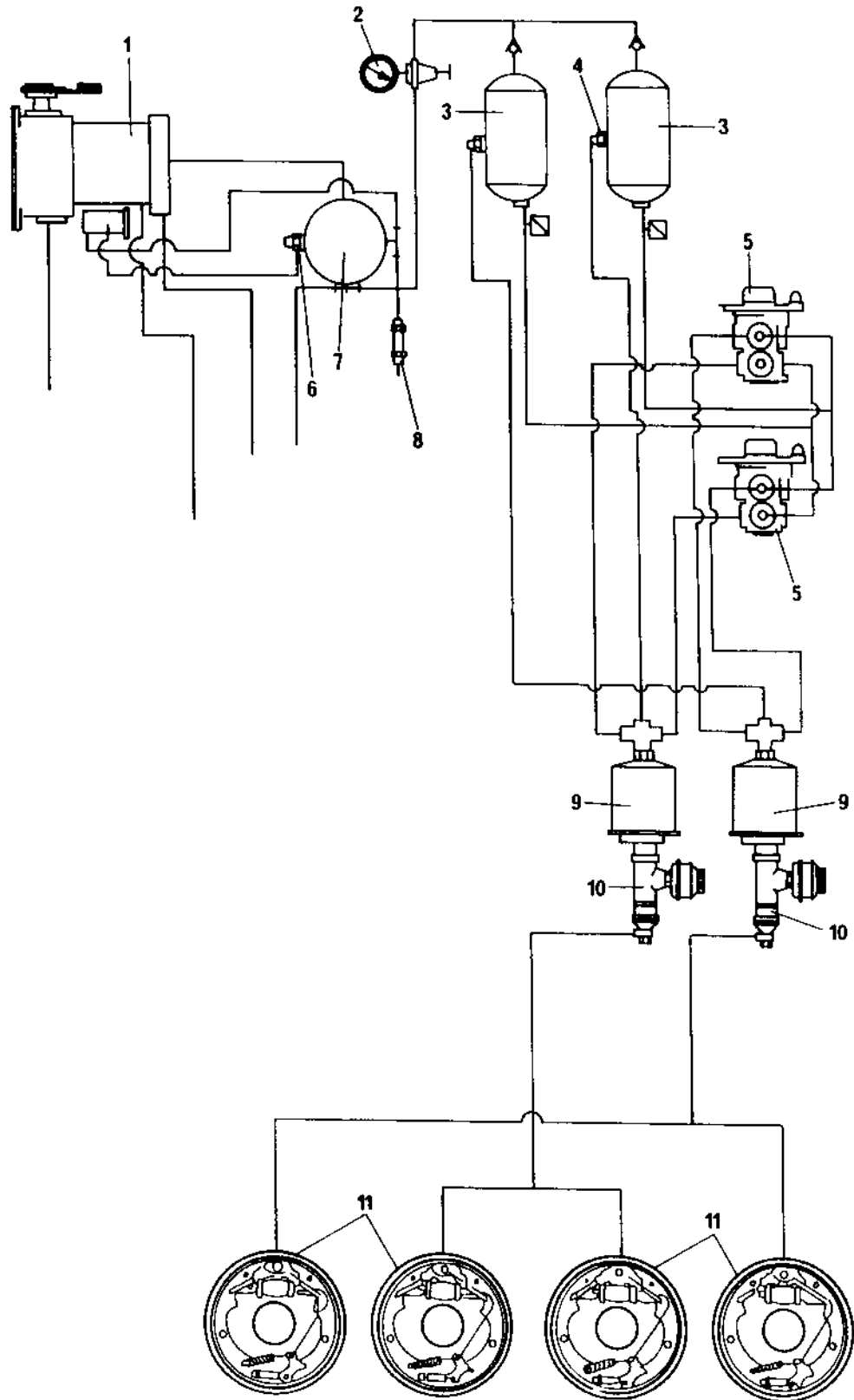
Ref. No.	Part No.	Rem.	Qty	Description	Code
1	266221		1	Manometer	D
	927025		1	Socket	
	747583		1	Bulb	
	195814	G	1	Pipe, nylon	D
	904626		1	Coupling	
	926625		1	Sleeve	
2	231193		1	Sleeve	
3	231192	A	1	Nut	
4	920783		2	Insert	
5	247154	H	1	Pipe	
6	374791		1	Directional valve	
7	232078		2	Plug	
8	920794		3	Nipple	
9	920784		6	Insert	
10	192804		2	Connection	
11	920787		1	Pipe connection	
12	920795		1	Brake connection	
13	920785		2	Insert	
14	192803		1	Connection	
15	247151		1	Pipe 3/8"	
16	247152		1	Tube	D
17	262092		1	Tube	
18	230524		1	Connection-T	
19	262091		1	Tube	
20	259246		1	Tube	
21	230322		1	Connection	
22	259245		1	Tube	
23	257987		3	Hose	
24	257988		1	Hose	
25	192245		1	Tube	
26	191927		7	Hose	
27	195172		5	Rotor	
28	247151	A	1	Pipe 3/8"	
29	247151	B	1	Pipe 3/8"	
30	191921		1	Elbow	
31	234729		3	Reducing nipple	
32	330333		4	Copper washer	D
33	194366		2	Clamp	
34	904230		4	Washer 10,5x22x2	
35	570006		4	Nut M10	
36	384615	J	1	Air tank From 22620355	
37	195054		1	Drain valve	
38	240264		2	Adapter	
39	330333		2	Copper washer	D
40	333067		1	Valve	D
41	912120		1	Check valve	D
42	268920		1	Adapter	
43	247153	C	1	Tube	
44	920786		2	Insert	
45	194212		1	Elbow	
46	333062		1	Safety valve	D
47	813465		1	Reducing	
48	253007		1	Tee-connector	

- A) L=1090 mm
- B) L=3500 mm
- C) L=350 mm
- G) L=150 mm
- H) L=420 mm
- J) Replaces earlier 902139



Ref. No.	Part No.	Rem.	Qty	Description	Code
49	401106		1	Filler pipe	
50	334603		2	Bushing	
51	194365		2	Connection 90deg	
52	814262		1	Tee-connector	
53	920794		1	Nipple	
54	194367		2	Hose	
55	257985		2	Connector	
56	254086		2	Connector	
57	570003		2	Nut M5	
58	615042		2	Conical spring washer	
59	500099		2	Screw	
60	380251		1	Channel	
61	904281		8	Washer 5,3x10x1	
62	500012		8	Screw M6x12	
63	202028	D	4	Edge trim	
65	230055		1	Connection-T	
66	904281	F		Washer 5,3x10x1	

D) L=400 mm  
F) Inside panel

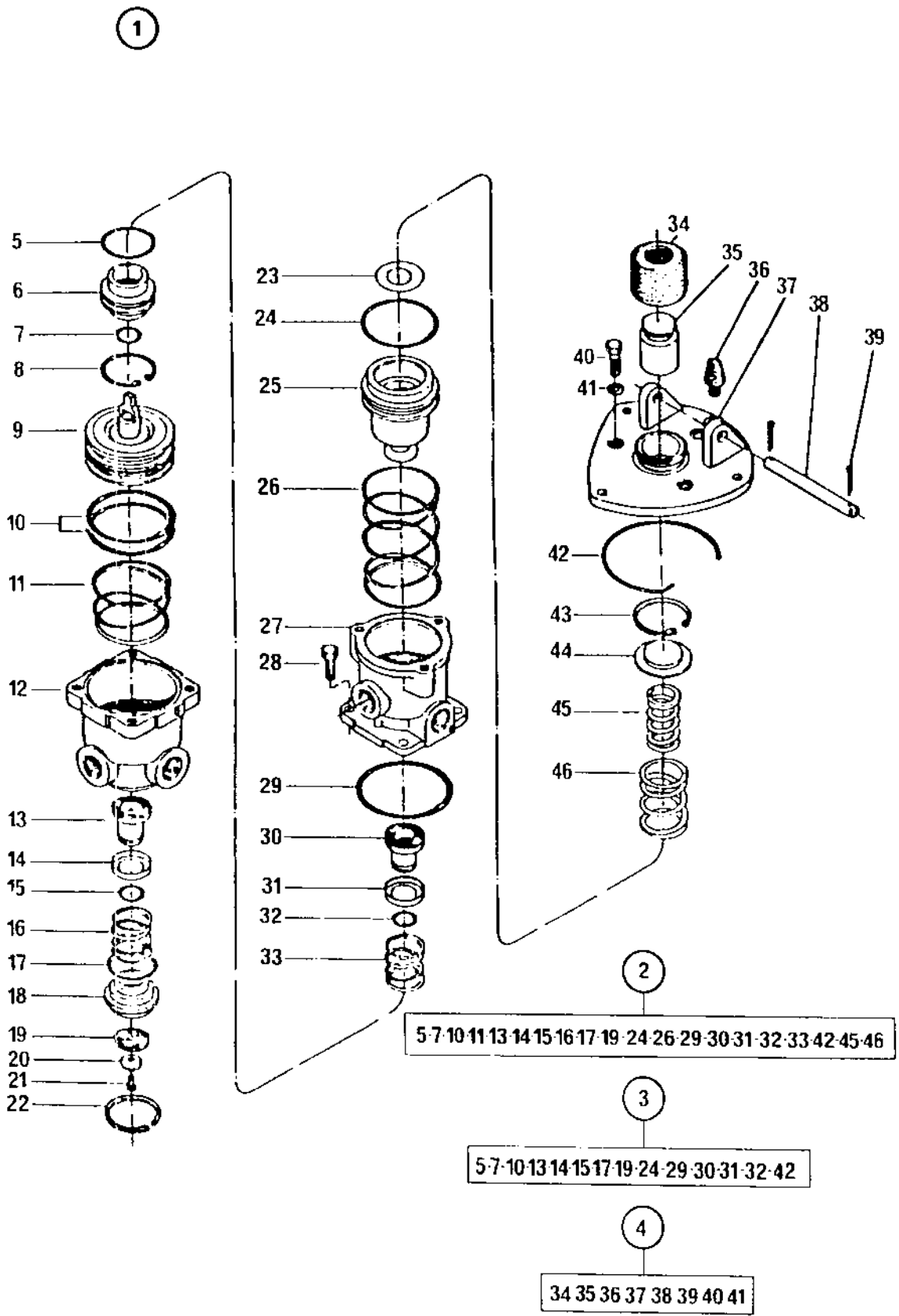




Ref. No.	Part No.	Rem.	Qty	Description	Code
1				Compressor, see another assembly	
2	194410		1	Pressure relief valve, cpl	
	197901		1	.Gauge	
3	384614	A	2	Air tank From 22620355	
4	269137		2	Drain valve Up to 22620359	D
	384453		2	Drain valve From 22620360	
5	191533		2	Brake valve, Varga ( Page 56 )	
6	269137		1	Drain valve Up to 22620359	D
	384453		1	Drain valve From 22620360	
7	384615	B	1	Air tank From 22620355	
8	333062		1	Safety valve	D
9	194402		2	Brake chamber	
10	194401		2	Brake master cylinder	
11			4	Wheel, see another assembly	

A) Replaces earlier 194237

B) Replaces earlier 902139

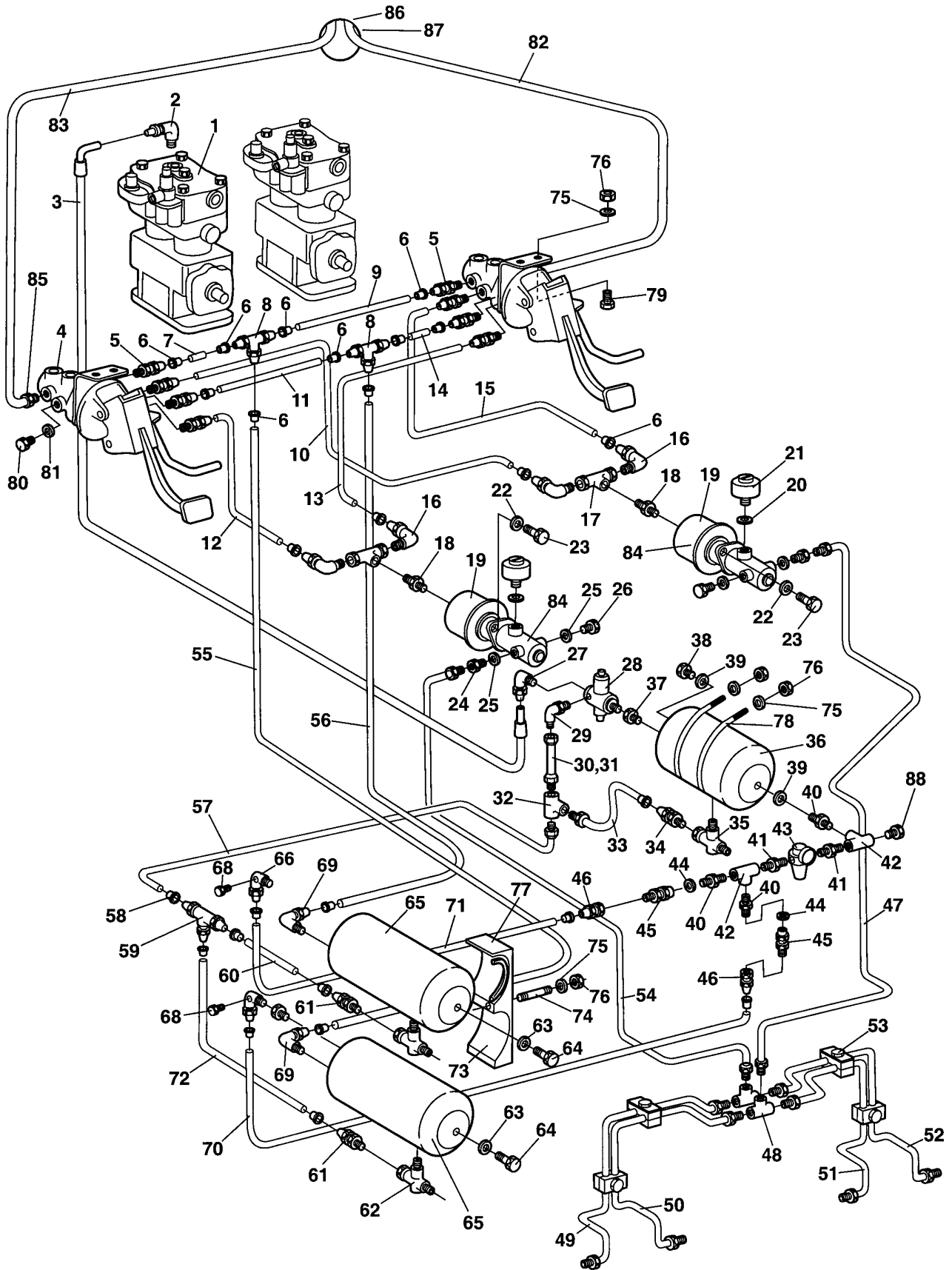


## 191533 Brake valve, Varga

Ref. No.	Part No.	Rem.	Qty	Description	Code
1			1	Brake valve, Varga	
2	192833		1	.Reversing valve	C
3	192824		1	.Repair kit	
4	192825		1	.Pedal repair kit	
5			1	.Seal ring	
6			1	.Valve guide	
7			1	.Seal ring	
8			1	.Retaining ring	
9			1	.Piston	
10			2	.Seal ring	
11			1	.Spring	
12			1	.Lower body	
13			1	.Valve	
14			1	.Seal ring	
15			1	.Seal ring	
16			1	.Spring	
17			1	.Seal ring	
18			1	.Guide valve	
19			1	.Diaphragm	
20	192284		1	.Lock washer	
21			1	.Screw	
22			1	.Retaining ring	
23			1	.Washer	
24			1	.Seal ring	
25			1	.Piston	
26			1	.Spring	
27			1	.Upper body	
28			4	.Screw	
29			1	.Seal ring	
30			1	.Valve	
31			1	.Seal ring	
32			1	.Seal ring	
33			1	.Spring	
34			1	.Scoop	
35			1	.Piston	
36			1	.Pedal stop	
37			1	.Bracket	
38			1	.Pin	
39			2	.Cotter pin	
40			1	.Screw	
41			2	.Washer	
42			1	.Retaining ring	
43			1	.Retaining ring	
44			1	.Seal ring	
45			1	.Spring	
46			1	.Spring	

Brake circuit up to SN 22620359

16301-1



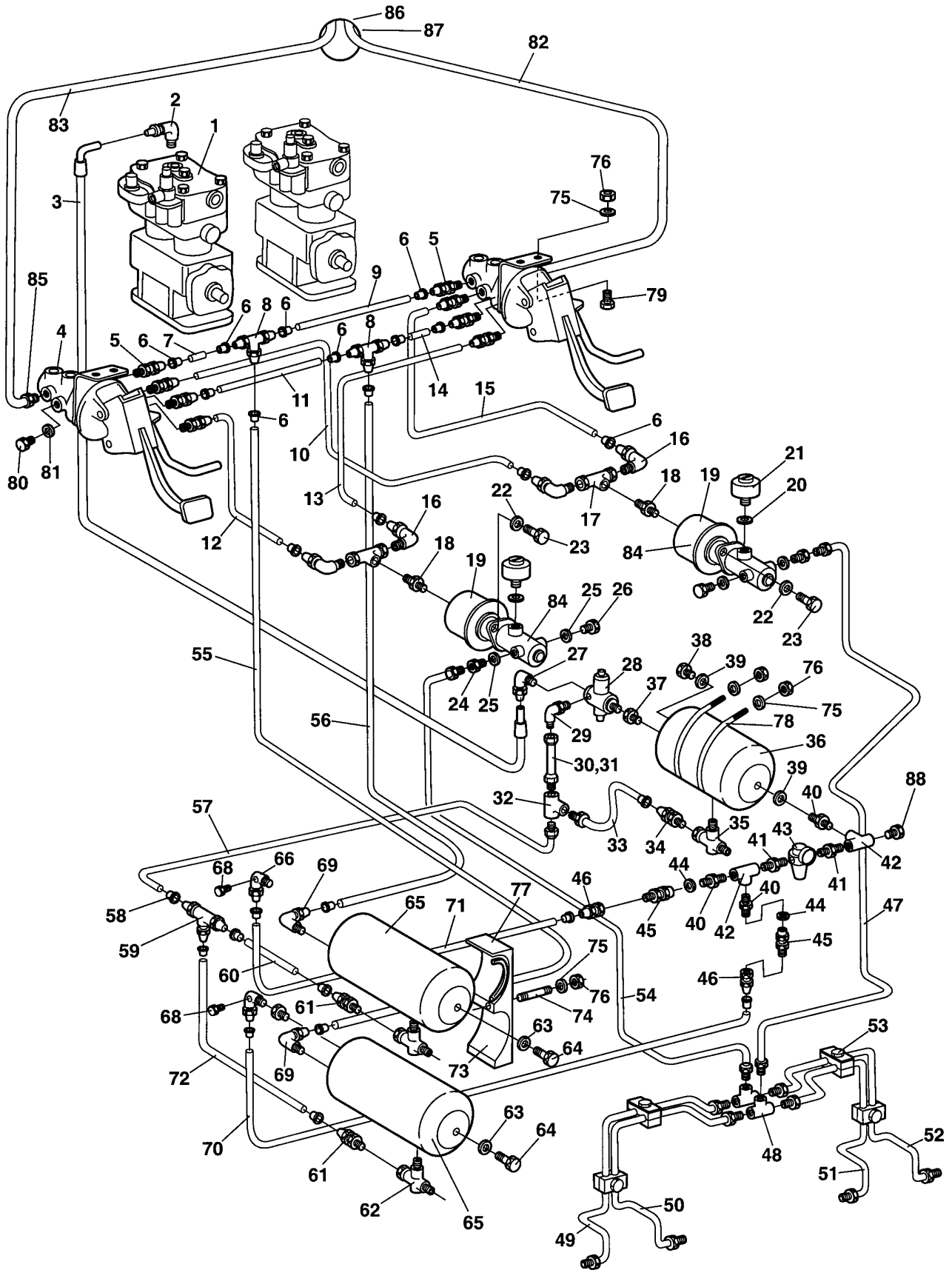
## Brake circuit up to SN 22620359

Ref. No.	Part No.	Rem.	Qty	Description	Code
1				Compressor, see another assembly	
2	904659		1	Elbow 90	
	938161		1	.Nut with sealing cone	
3	196586	Q	1	Hose From 22620313	
4	195778		2	Brake pedal	
5	904657		8	Straight connector	
6	195834		20	Sleeve insert	
7	195838	A		Pipe, nylon	D
8	904660		2	Tee-connector	
9	195838	B		Pipe, nylon	D
10	195838	C		Pipe, nylon	D
11	195838	D		Pipe, nylon	D
12	195838	E		Pipe, nylon	D
13	195838	C		Pipe, nylon	D
14	195838	F		Pipe, nylon	D
15	195838	E		Pipe, nylon	D
16	904658		4	Elbow 90	
17	195831		2	Check valve double	
18	195832		2	Connector	
19	194402		2	Brake chamber	
20	330333		2	Copper washer	D
21	415277		2	Oil tank	
22	904229		6	Washer 8,4x16x1,5	
23	500022		6	Screw M8-1,25x30 8,8	
24	194407		2	Connection	
25	330328		4	Washer 10x14x1	
26	194408		2	Plug	
27	904659		1	Elbow 90	
28	195810		1	Unloader valve	
29	195813		1	Male stud elbow	
30	195814	H		Pipe, nylon	D
31	926625		4	Sleeve	
32	195828		1	Tee-connector	
33	195814	I		Pipe, nylon	D
34	195811		1	Straight male stud	
35	269137		1	Drain valve	D
36	384615	R	1	Air tank From 22620355	
37	195931		1	Connector	
38	232052		1	Plug	D
39	162019		2	Seal ring	D
40	240264		3	Adapter	
41	813722		2	Nipple	
42	814262		2	Tee-connector	

- A) L=200 mm  
 B) L=940 mm  
 C) L=1350 mm  
 D) L=880 mm  
 E) L=800 mm  
 F) L=250 mm  
 H) L=150 mm  
 I) L=300 mm  
 Q) Replaces earlier used 195823  
 R) Replaces earlier 902139

Brake circuit up to SN 22620359

16301-1



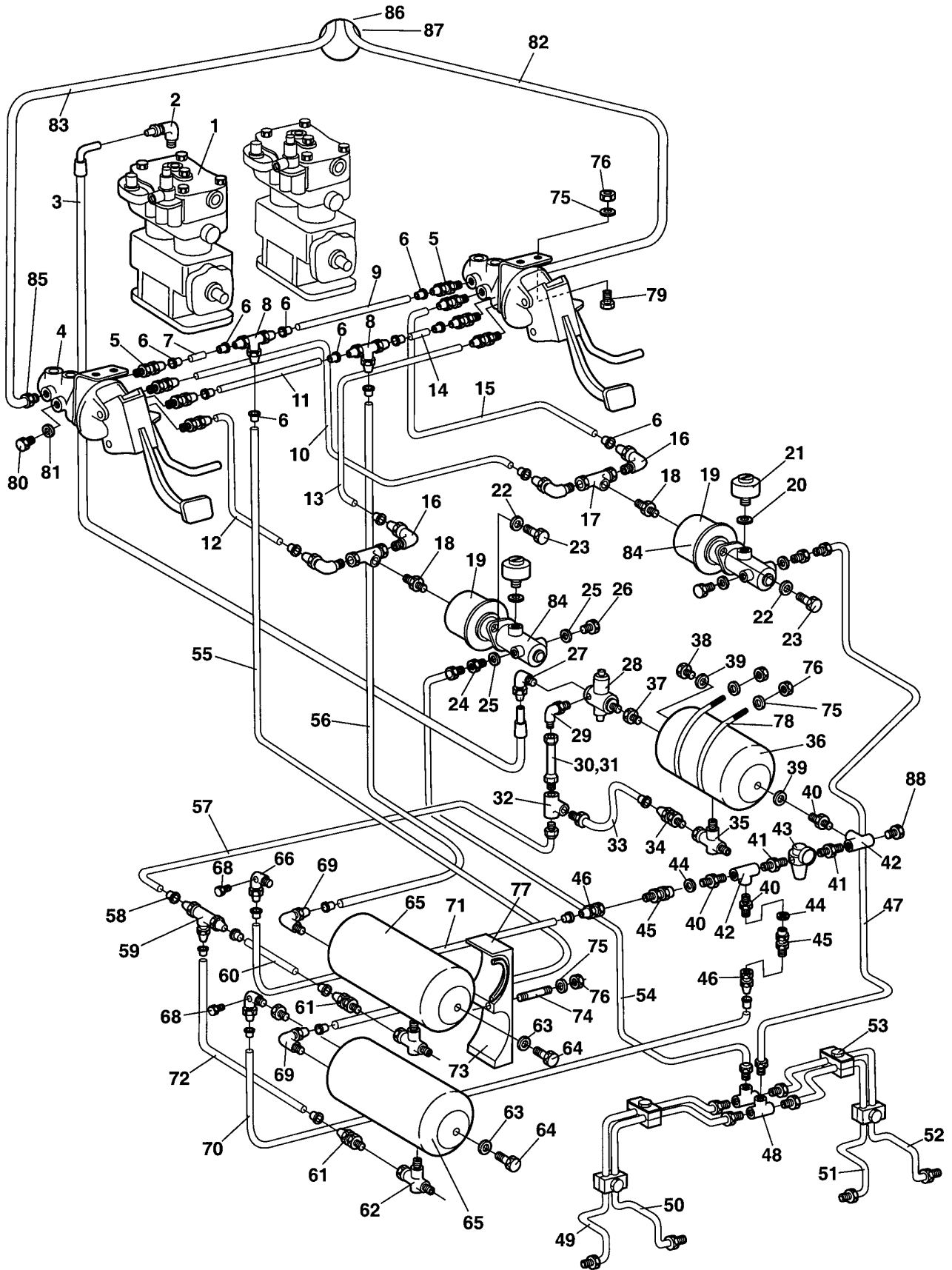
## Brake circuit up to SN 22620359

Ref. No.	Part No.	Rem.	Qty	Description	Code
43	194410		1	Pressure relief valve, cpl	
	197901		1	.Gauge	
44	330333		2	Copper washer	D
45	195816		2	Check valve	
46	195812		2	Straight male stud	
47	194803		1	Brake pipe	
48	745072		2	Tee-connector	
49	191937		1	Brake tube	
50	191934		1	Brake tube	
51	191935		1	Brake tube	
52	191936		1	Brake tube	
53	258015		4	Clamp	
54	194802		1	Brake line	
55	195838	J		Pipe, nylon	D
56	195838	K		Pipe, nylon	D
57	195814	L		Pipe, nylon	D
58	926625		10	Sleeve	
59	195828		1	Tee-connector	
60	195814	M		Pipe, nylon	D
61	195811		2	Straight male stud	
62	269137		2	Drain valve	D
63	162019		2	Seal ring	D
64	232052		2	Plug	D
65	384614	S	2	Air tank From 22620355	
66	195915		2	Male stud elbow	
67	195833		4	Sleeve insert	
68	256485		2	Adapter	
69	904659		2	Elbow 90	
70	195839	D		Pipe, nylon	
71	195839	P		Pipe, nylon	
72	195839	N		Pipe, nylon	
73	194371		1	Bracket	
74	194372		2	Stud	
75	904230		22	Washer 10,5x22x2	
76	570006		14	Nut M10	
77	202028			Edge trim	
78	194366		2	Clamp	
79	500030		8	Screw M10-1,5x35H 8,8	
80	232143		6	Plug	
81	330330		6	Washer	
82	195814	O		Pipe, nylon	D
83	195814	L		Pipe, nylon	D
84	194401		2	Brake master cylinder	

- D) L=880 mm  
 J) L=4000 mm  
 K) L=3600 mm  
 L) L=900 mm  
 M) L=100 mm  
 N) L=650 mm  
 O) L=1500 mm  
 P) L=850 mm  
 S) Replaces earlier 194237

Brake circuit up to SN 22620359

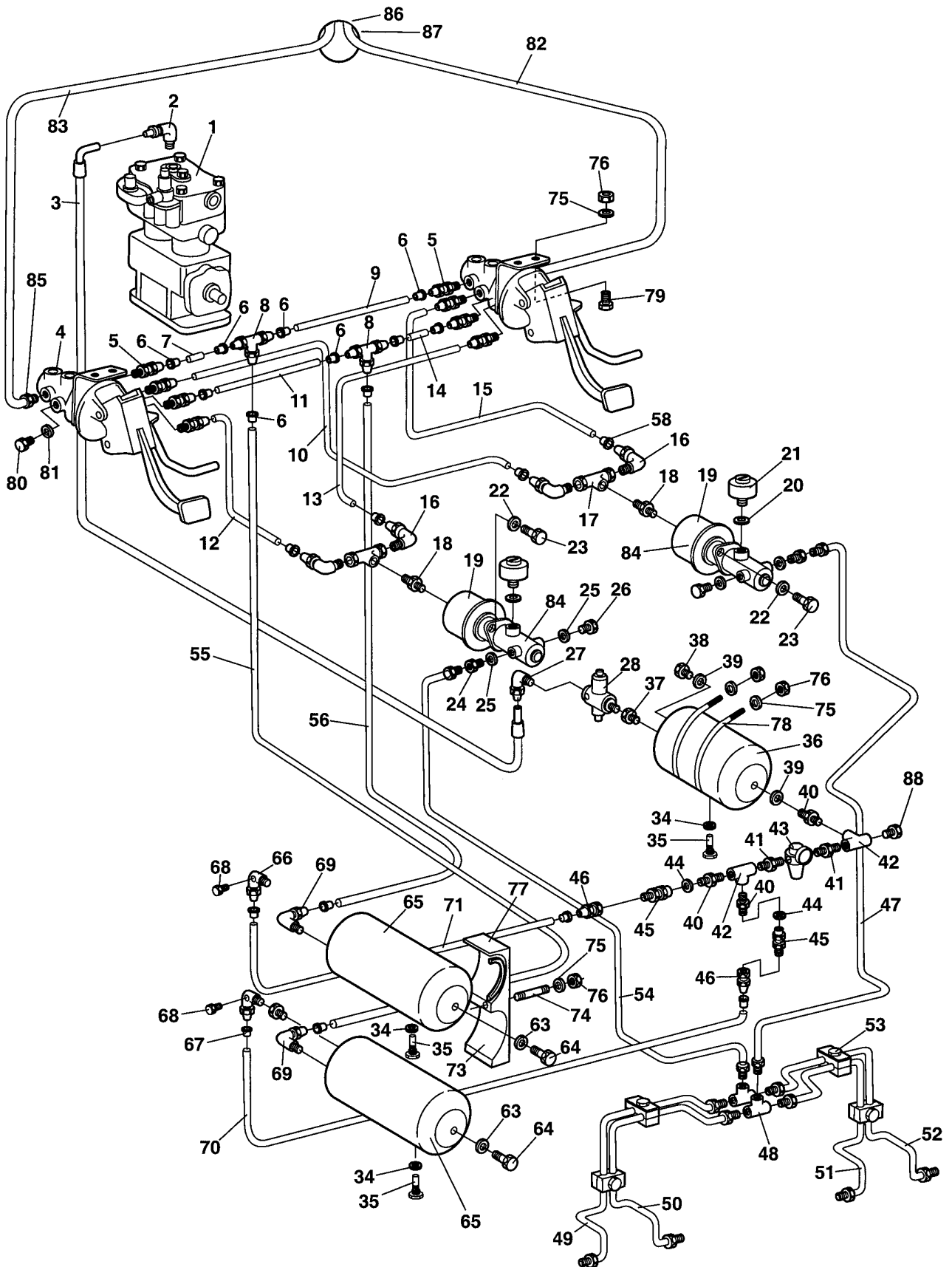
16301-1





Brake circuit up to SN 22620359

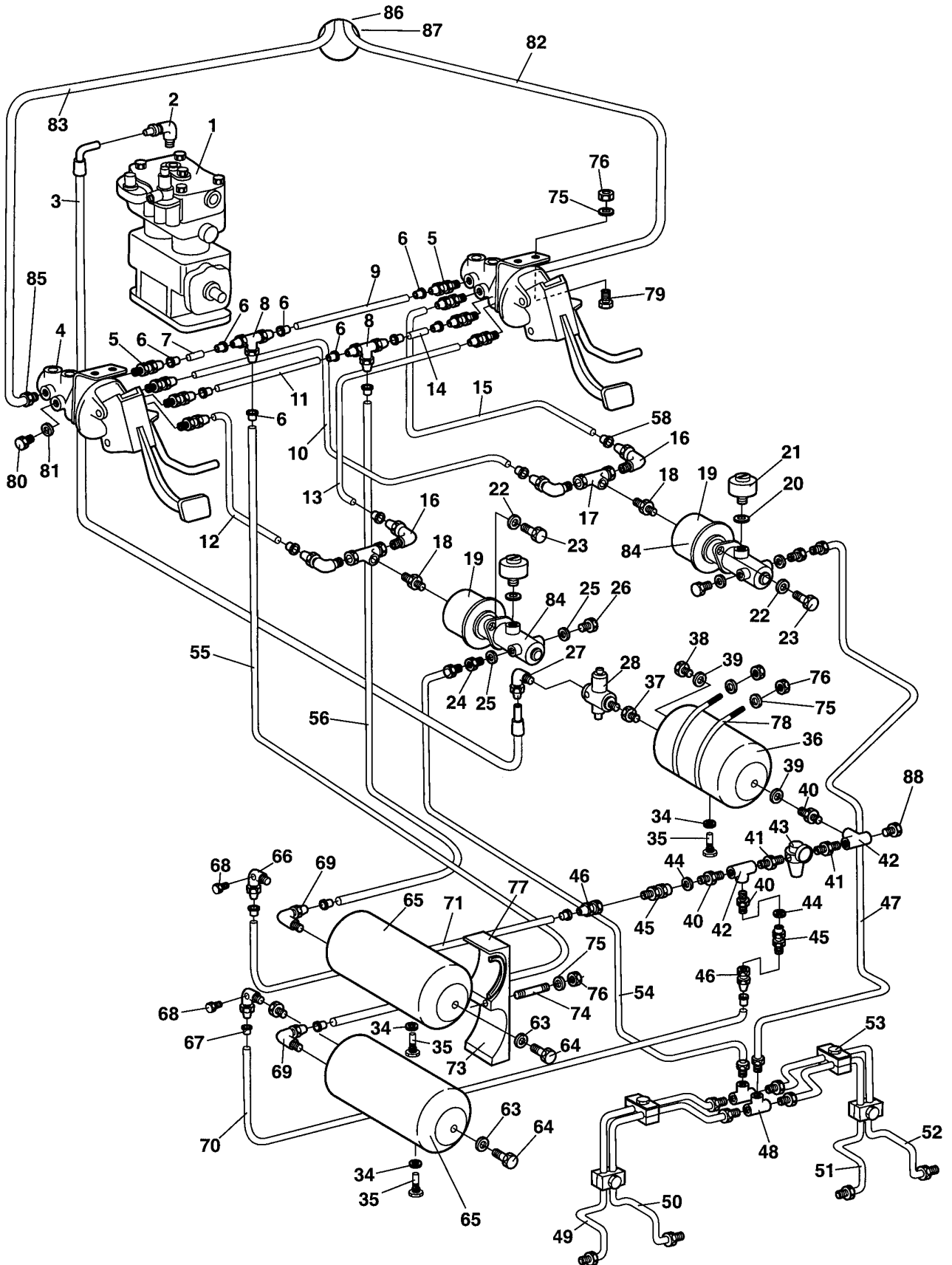
Ref. No.	Part No.	Rem.	Qty	Description	Code
85	195932		2	Male stud elbow	
86	904627		2	Nut M6	
87	230520		2	Locking sleeve R6	
88	192343		1	Plug	



Brake circuit from SN 22620360

Ref. No.	Part No.	Rem.	Qty	Description	Code
1				Compressor, see another assembly	
2	904659		1	Elbow 90	
	938161		1	.Nut with sealing cone	
3	196586	Q	1	Hose From 22620313	
4	195778		2	Brake pedal	
5	904657		8	Straight connector	
6	195834		20	Sleeve insert	
7	195838	A		Pipe, nylon	D
8	904660		2	Tee-connector	
9	195838	B		Pipe, nylon	D
10	195838	C		Pipe, nylon	D
11	195838	D		Pipe, nylon	D
12	195838	E		Pipe, nylon	D
13	195838	C		Pipe, nylon	D
14	195838	F		Pipe, nylon	D
15	195838	E		Pipe, nylon	D
16	904658		4	Elbow 90	
17	195831		2	Check valve double	
18	195832		2	Connector	
19	194402		2	Brake chamber	
20	330333		2	Copper washer	D
21	415277		2	Oil tank	
22	904229		6	Washer 8,4x16x1,5	
23	500022		6	Screw M8-1,25x30 8,8	
24	194407		2	Connection	
25	330328		4	Washer 10x14x1	
26	194408		2	Plug	
27	904659		1	Elbow 90	
28	384452		1	Unloader valve	
34	162019		3	Seal ring	D
35	384453		3	Drain valve	
36	384615	R	1	Air tank From 22620355	
37	195931		1	Connector	
38	232052		1	Plug	D
39	162019		2	Seal ring	D
40	240264		3	Adapter	
41	813722		2	Nipple	
42	814262		2	Tee-connector	
43	194410		1	Pressure relief valve, cpl	
	197901		1	.Gauge	
44	330333		2	Copper washer	D
45	195816		2	Check valve	
46	195812		2	Straight male stud	
47	194803		1	Brake pipe	
48	745072		2	Tee-connector	
49	191937		1	Brake tube	
50	191934		1	Brake tube	

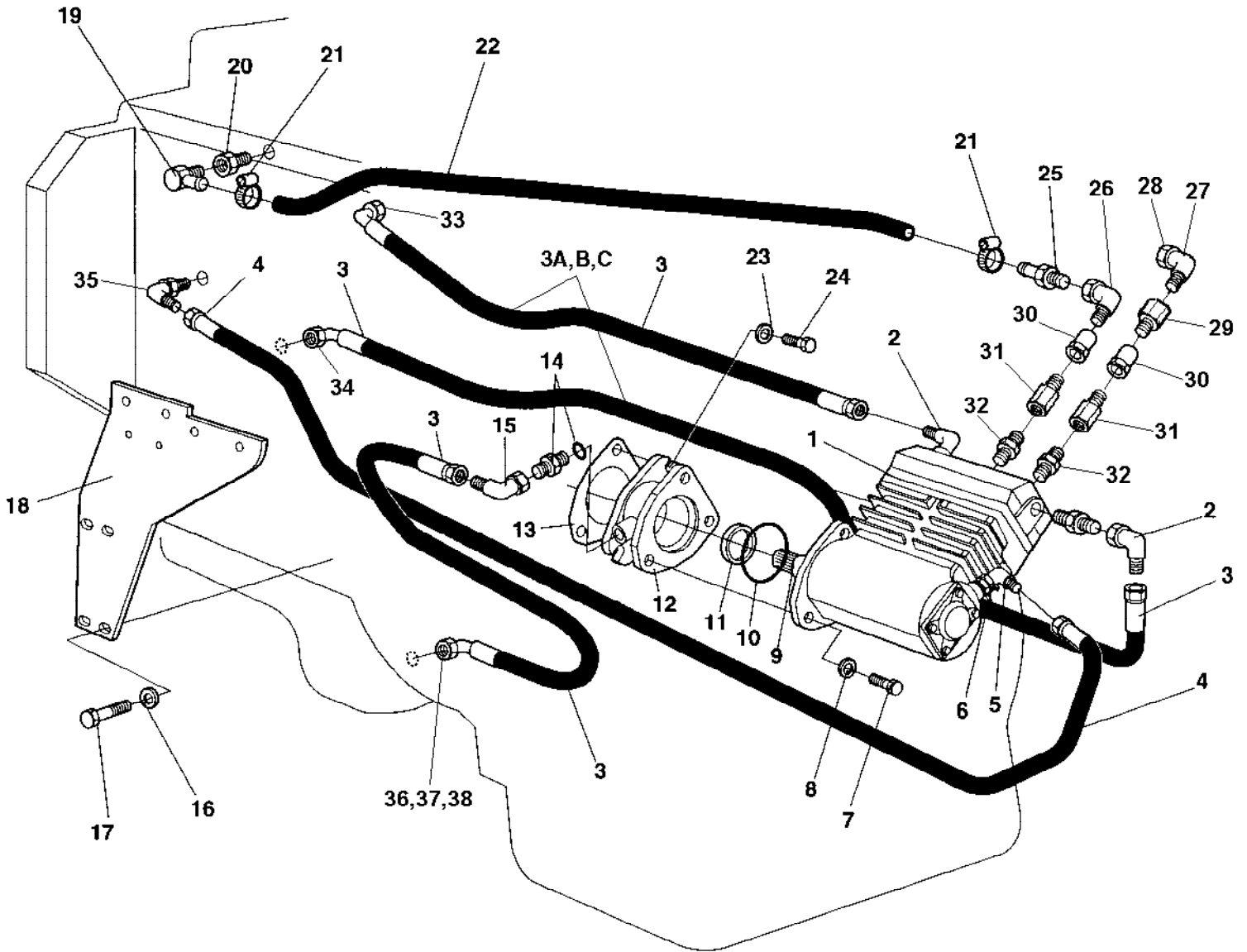
- A) L=200 mm
- B) L=940 mm
- C) L=1350 mm
- D) L=880 mm
- E) L=800 mm
- F) L=250 mm
- Q) Replaces earlier used 195823
- R) Replaces earlier 902139



## Brake circuit from SN 22620360

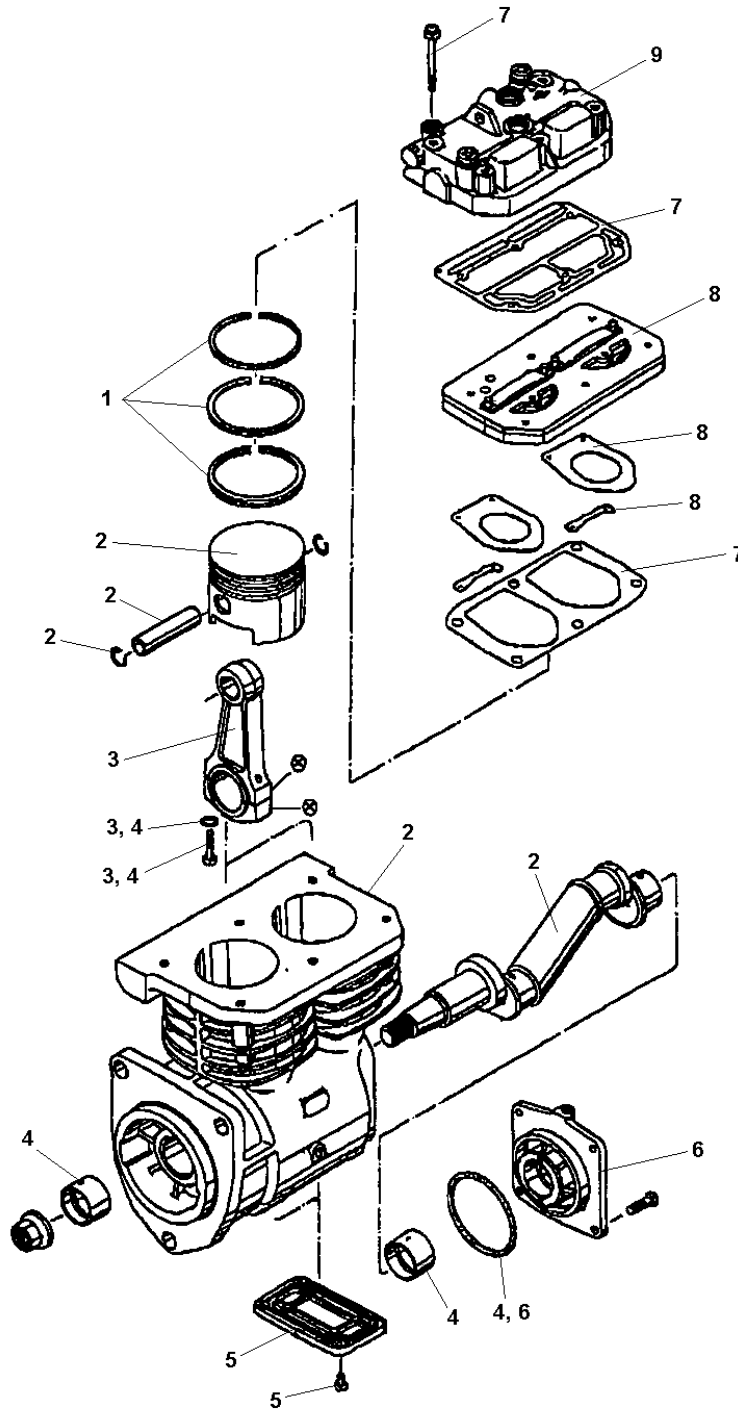
Ref. No.	Part No.	Rem.	Qty	Description	Code
51	191935		1	Brake tube	
52	191936		1	Brake tube	
53	258015		4	Clamp	
54	194802		1	Brake line	
55	195838	J		Pipe, nylon	D
56	195838	K		Pipe, nylon	D
58	926625		4	Sleeve	
63	162019		2	Seal ring	D
64	232052		2	Plug	D
65	384614	S	2	Air tank From 22620355	
66	195915		2	Male stud elbow	
67	195833		4	Sleeve insert	
68	256485		2	Adapter	
69	904659		2	Elbow 90	
70	195839	D		Pipe, nylon	
71	195839	P		Pipe, nylon	
73	194371		1	Bracket	
74	194372		2	Stud	
75	904230		22	Washer 10,5x22x2	
76	570006		14	Nut M10	
77	202028			Edge trim	
78	194366		2	Clamp	
79	500030		8	Screw M10-1,5x35H 8,8	
80	232143		6	Plug	
81	330330		6	Washer	
82	195814	O		Pipe, nylon	D
83	195814	L		Pipe, nylon	D
84	194401		2	Brake master cylinder	
85	195932		2	Male stud elbow	
86	904627		2	Nut M6	
87	230520		2	Locking sleeve R6	
88	192343		1	Plug	

- D) L=880 mm  
 J) L=4000 mm  
 K) L=3600 mm  
 L) L=900 mm  
 O) L=1500 mm  
 P) L=850 mm  
 S) Replaces earlier 194237



Ref. No.	Part No.	Rem.	Qty	Description	Code
1	380253		1	Compressor Knorr-Bremse LP4850 Up to 22620318 ( Page 70 )	
	380475		1	Compressor Knorr-Bremse LP4850 From 22620319 ( Page 72 )	
2	928908		2	Adapter	
3	482466	B	3	Hydraulic hose	
3-A	921161		2	Clamp	
3-B	500048		2	Screw M10-1,5x20 8,8	
3-C	904557		2	Washer 10,5x22x4	
4	281628		1	Hydraulic hose	
5	334196		1	Elbow 90	
6	900176		1	Adapter	
7	500123		3	Screw M16x35	
8	904232		3	Washer 17x30x3	
9	380239		1	Shaft	
10	160092		1	O-ring	
11	163105		1	Lip-type oil seal	
12	380242		1	Flange	
13	191623		1	Gasket	
14	234659		1	Straight o-ring connector	
15	334197		1	Elbow 90	
16	904213		8	Washer 13x30x4	
17	500037		8	Screw M12-1,75x35 8,8	
18	380406		2	Support	
19	928081		1	Hose connector	
20	813454		1	Nipple	
21	240297	C	2	Hose clamp	
	313004		2	Hose clamp	
22	246072	A	1	Hose	
23	904703		2	Washer 13x24x4	
24	502058		2	Screw 1/2 UNC	
25	192914		1	Hose connector	
26	249273	D	1	Elbow 90	
	234365		1	Elbow 90	
27	195777	E	1	Elbow 90	
	904659		1	Elbow 90	
28	938161		1	.Nut with sealing cone	
29	195842		1	Reducing	
30	904688		2	Connector	
31	234667		2	Reducer	
32	902126		2	Adapter	
33	813445		1	Elbow 45	
34	334117		1	Adapter	
35	234341		1	Elbow 45	
36	813435		1	Adapter	
37	330333		1	Copper washer	D
38	234729		1	Reducing nipple	

- A) L=1250 mm  
 B) Two of these hoses needs the clamp, screw and washer, item 3A  
     B and C  
 C) Replaced by 313004  
 D) Replaced by 234365  
 E) Replaced by 904659

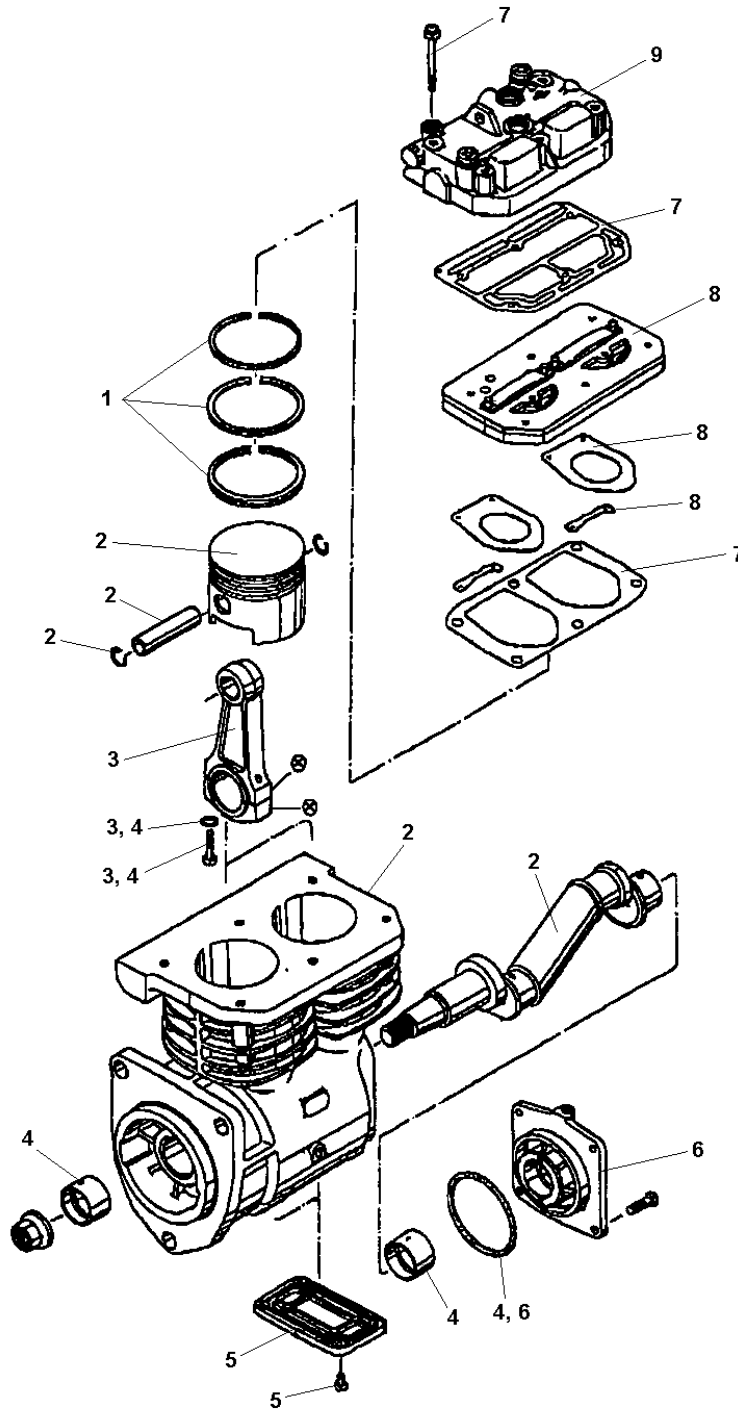




**380253 Compressor Knorr-Bremse LP4850**

<b>Ref. No.</b>	<b>Part No.</b>	<b>Rem.</b>	<b>Qty</b>	<b>Description</b>	<b>Code</b>
1	938325		2	Piston ring kit	
2				Not Sold Separately	
3	938756		2	Connecting rod	
		A	4	.Washer	
		A	4	.Screw	
4	938326		1	Bearing bushing kit	
		A	2	.Bearing bushing	
		A	1	.O-ring	
		A	4	.Washer	
		A	4	.Screw	
5	938757		2	Cover, crankcase	
		A	2	.Plug	
6	938759		1	Bearing cover	
		A	1	.O-ring	
7	938324		1	Repair kit	
		A	1	.Cylinder head gasket	
		A	1	.Cyl. head cover gasket	
		A	6	.Screw	
8	938327		1	Disc valve kit	
		A	1	.Disc valve	
		A	2	.Gasket	
		A	2	.Clip	
9	938758		1	Cylinder head cover	

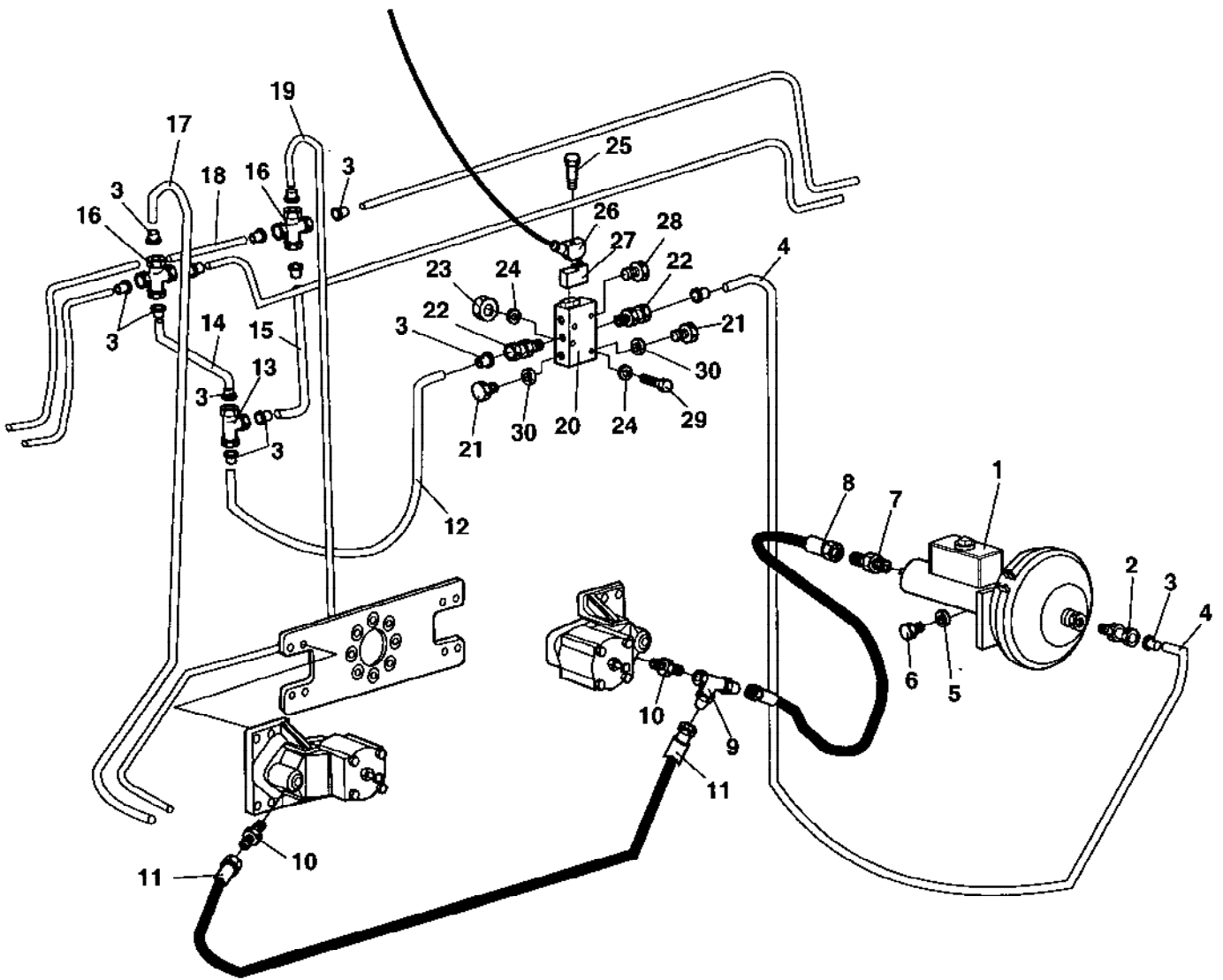
A) Not sold separately



**380475 Compressor Knorr-Bremse LP4850**

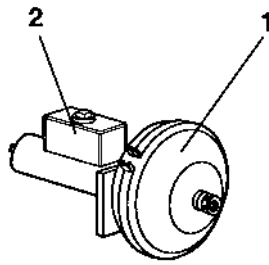
<b>Ref. No.</b>	<b>Part No.</b>	<b>Rem.</b>	<b>Qty</b>	<b>Description</b>	<b>Code</b>
1	938325		2	Piston ring kit	
2				Not Sold Separately	
3	938756		2	Connecting rod	
		A	4	.Washer	
		A	4	.Screw	
4	938326		1	Bearing bushing kit	
		A	2	.Bearing bushing	
		A	1	.O-ring	
		A	4	.Washer	
		A	4	.Screw	
5	938757		2	Cover, crankcase	
		A	2	.Plug	
6	938759		1	Bearing cover	
		A	1	.O-ring	
7	938324		1	Repair kit	
		A	1	.Cylinder head gasket	
		A	1	.Cyl. head cover gasket	
		A	6	.Screw	
8	938327		1	Disc valve kit	
		A	1	.Disc valve	
		A	2	.Gasket	
		A	2	.Clip	
9	938758		1	Cylinder head cover	

A) Not sold separately



Ref. No.	Part No.	Rem.	Qty	Description	Code
1	384571		1	Brake chamber ( Page 76 )	
2	791154		1	Adapter	
3	195834		8	Sleeve insert	
4	195838	A	1	Pipe, nylon	D
5	904229		4	Washer 8,4x16x1,5	
6	500021		4	Screw M8-1,25x25 8,8	
7	900249		1	Straight connector	
8	482999		1	Hydraulic hose	
9	334556		1	Tee-connector	
10	334143		2	Straight connector	
11	482023		1	Hydraulic hose	
12	195838	B	1	Pipe, nylon	D
13	904660		1	Tee-connector	
14	195838	C	1	Pipe, nylon	D
15	195838	C	1	Pipe, nylon	D
16	791155		2	Adapter	
17		D	1	Missing description	
18		D	1	Missing description	
19		D	1	Missing description	
20	384576		1	Valve	
21	332038		2	Plug	
22	791153		2	Adapter	
23	570003		4	Nut M5	
24	904281		8	Washer 5,3x10x1	
25	903152		2	Screw	
26	384575		1	Cable harness Up to 22620506	
	387775		1	Cable harness From 22620507	
27	384577		1	Magnetic valve	
28	791317		1	Filter plug	
29	500080		4	Screw	
30	162004		2	Sealing	

- A) L=2,6 m
- B) L=1 m
- C) L=0,25 m
- D) Existing tubes

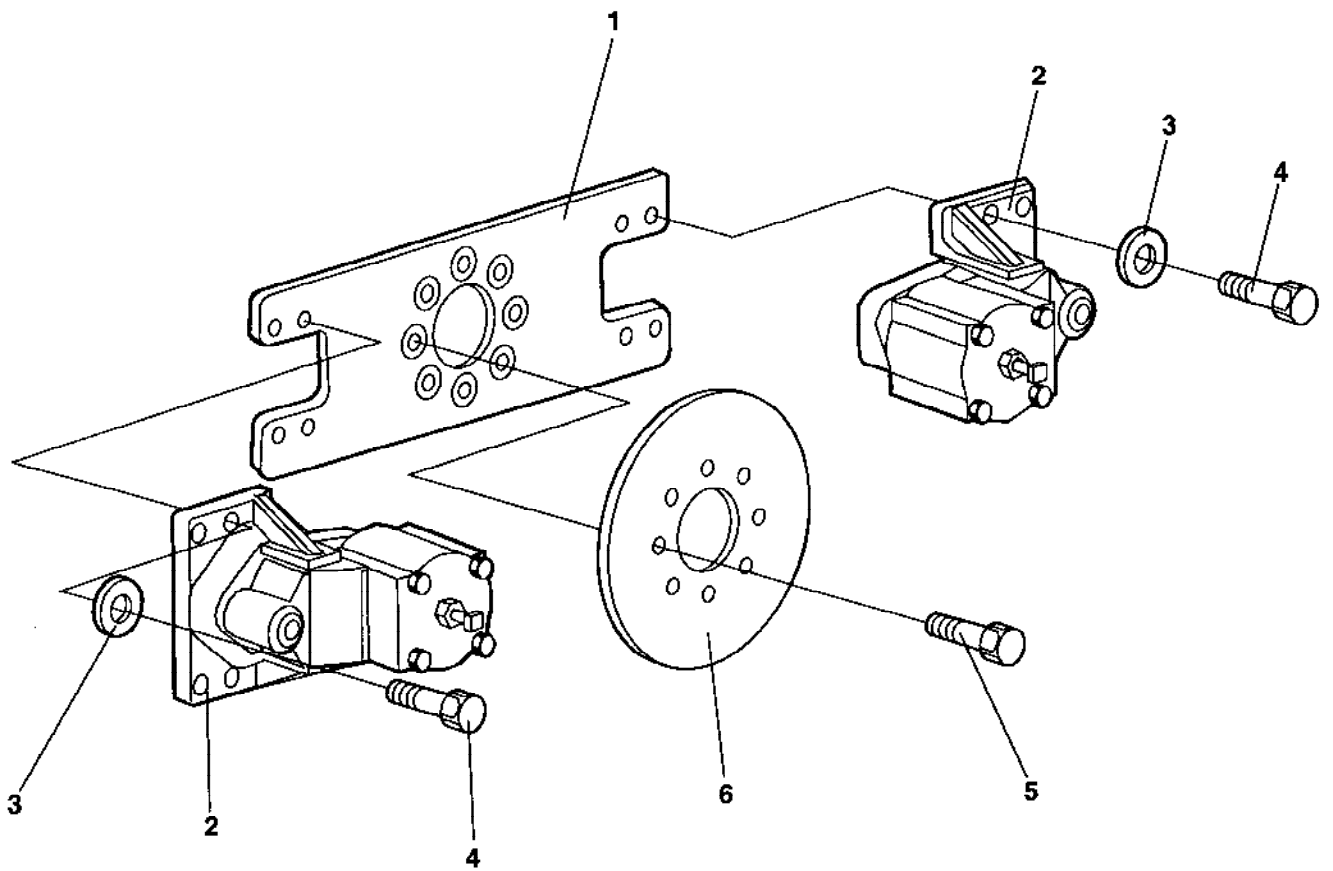


## 384571 Brake chamber

Ref. No.	Part No.	Rem.	Qty	Description	Code
1	939496		1	Diaphragm	D
2	939497		1	Repair kit	D

Parking brake

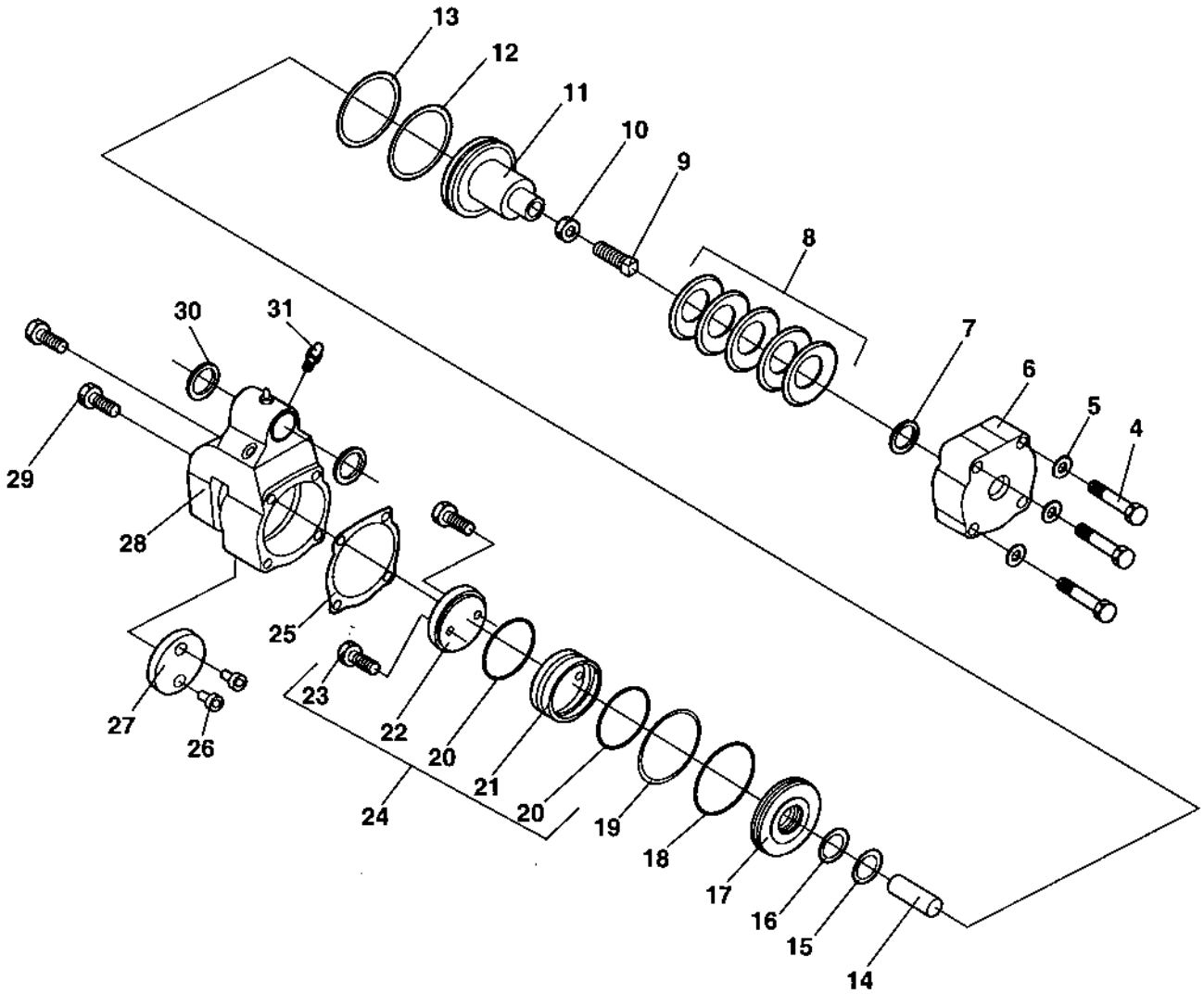
17765





## Parking brake

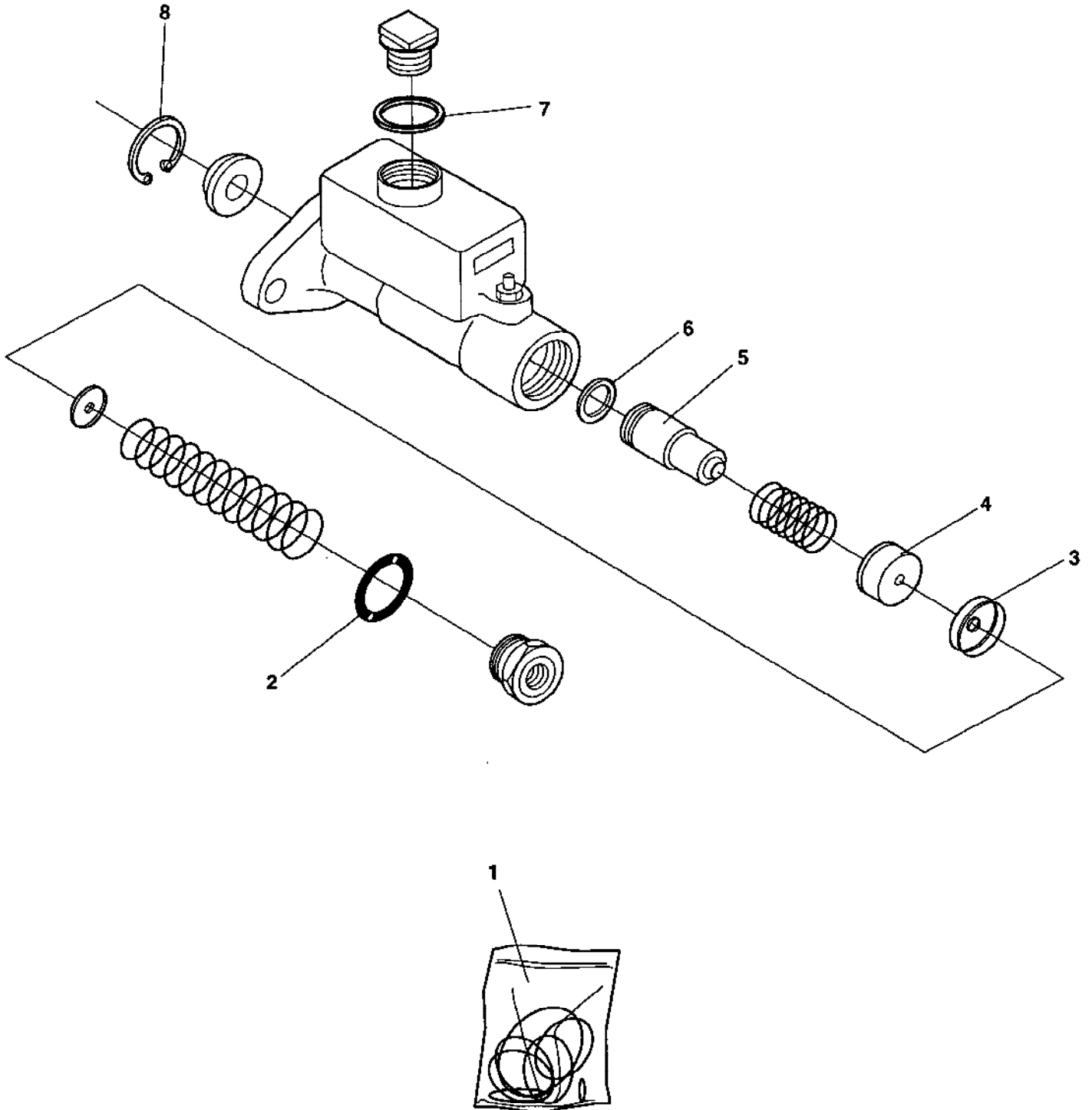
Ref. No.	Part No.	Rem.	Qty	Description	Code
1	384573		1	Bracket	
2	384572		2	Caliper disc brake ( Page 80 )	
3	904231		8	Washer 13x24x2	
4	947688		8	Screw	
5	938355		6	Screw	
6	938108		1	Disc	



**384572 Caliper disc brake**

<b>Ref. No.</b>	<b>Part No.</b>	<b>Rem.</b>	<b>Qty</b>	<b>Description</b>	<b>Code</b>
1	939491		1	Lining kit	D
2	939492		1	Seal kit	D
3	939493		1	Repair kit	D
7		B,C	1	Seal	D
8		C	1	Spring set	D
12		B,C	1	Back-up ring	D
13		B,C	1	O-ring	D
15		B,C	1	O-ring	D
16		B,C	1	Back-up ring	D
18		B,C	1	O-ring	D
19		B,C	1	Back-up ring	D
20		B,C	2	O-ring	D
22		A,C	1	Lining	D
23		A,C	2	Screw	D
25		B,C	1	Gasket	D
26		A,C	2	Bushing	D
27		A,C	1	Lining	D
29		A,C	2	Screw	D
30		B,C	2	Seal	D
31		B,C	1	Bleeder screw	D

- A) Included in Lining kit  
B) Included in Seal Kit  
C) Included in Repair kit



## Master cylinder

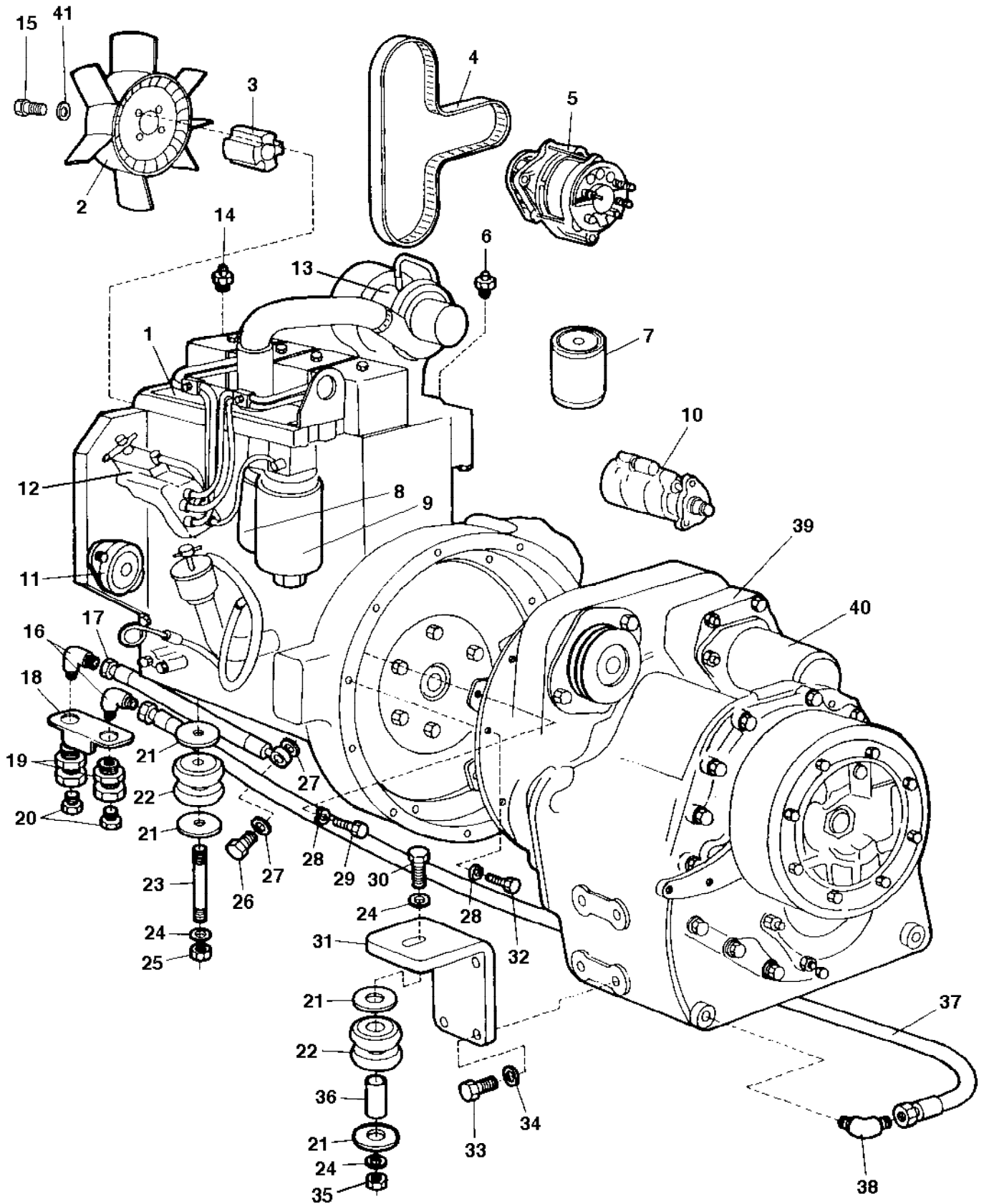
Ref. No.	Part No.	Rem.	Qty	Description	Code
1	939497		1	Repair kit	D
2		A	1	.Washer	D
3		A	1	.Cup	D
4		A	1	.Piston assembly	D
5		A	1	.Piston	D
6		A	1	.Cup	D
7		A	1	.Gasket	D
8		A	1	.Retaining ring	D

A) Not sold separately



## Engine

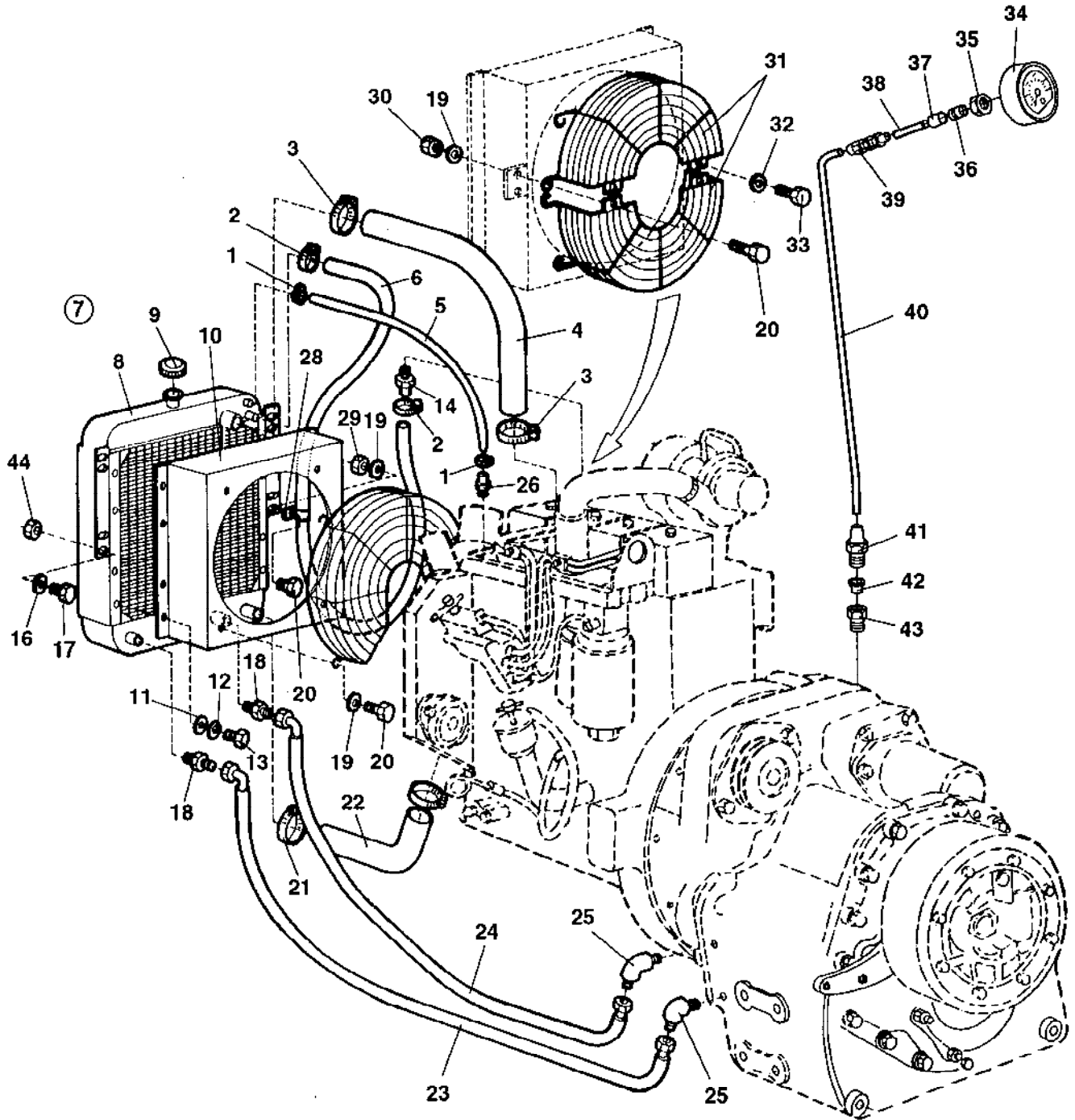
Ref. No.	Part No.	Rem.	Qty	Description	Code
10				Engine Cummins ( Page 86 )	
20				Cooling system ( Page 88 )	
30				Air cleaner ( Page 90 )	
40				Fuel system ( Page 92 )	
50				Muffler ( Page 94 )	





Ref. No.	Part No.	Rem.	Qty	Description	Code
1	374541	C	1	Diesel engine Up to 22620499	
	386353		1	Diesel engine From 22620500	
	935758	A	1	.Fuel solenoid	D
	939371	A	1	.Thermostat, cpl	
	903193	A	1	.Water pump, cpl	
2	938137		1	.Fan	
3	191996		1	.Spacer	
4	192273		1	.Belt	D
5	901350		1	.Alternator	C
6	935044		1	.Oil pressure sensor	D
7	212373		1	.Oil filter	A
8	900829		1	.Fuel filter	A
9	900827	B	1	.Fuel filter	A
10	901448		1	.Starter	C
11	191667		1	.Hydraulic pump gear	C
12	939481		1	.Injection pump	
13	939485		1	.Turbo, cpl	
	939486		1	..Gasket, turbo	
	939487		1	..Gasket, oil drain	
14	258307		1	Temperature sensor	D
15	500077		4	Screw	
	902541		1	Lock fluid Loctite 243, 50 ml	
16	813435		2	Adapter	
17	191808		1	Hose	
18	191806		1	Holder	
19	240154		2	Connector	
20	813422		2	Plug	
21	191803		6	Washer	
22	193092		6	Shock absorber	D
23	191805		1	Stud	
24	904558		5	Washer 17x30x6	
25	571006		1	Nut UNC 5/8 - 11	
26	267465		1	Hollow screw	D
27	330331		2	Washer 18,2x23,9x1,5	
28	904230		20	Washer 10,5x22x2	
29	503027		8	Screw UNF 3/8-24x45 Up to 22620318	
	502038		8	Screw UNC 3/8-16x45 From 22620319	
30	500150		2	Screw	
31	191802		2	Bracket	
32	500030		11	Screw M10-1,5x35H 8,8	
33	502092		8	Screw	
34	903290		8	Washer 21x36x6	
35	570008		2	Nut	
36	191799		3	Pipe	
37	191804		1	Hose	
38	334410		1	Adapter	
39	374966		1	Transmission Up to 22620318	
	381950		1	Transmission From 22620319	
40	249993		1	.Oil filter	A
41	904557		4	Washer 10,5x22x4	

- A) Not illustrated  
 B) With water separator  
 C) Replaced by 386353



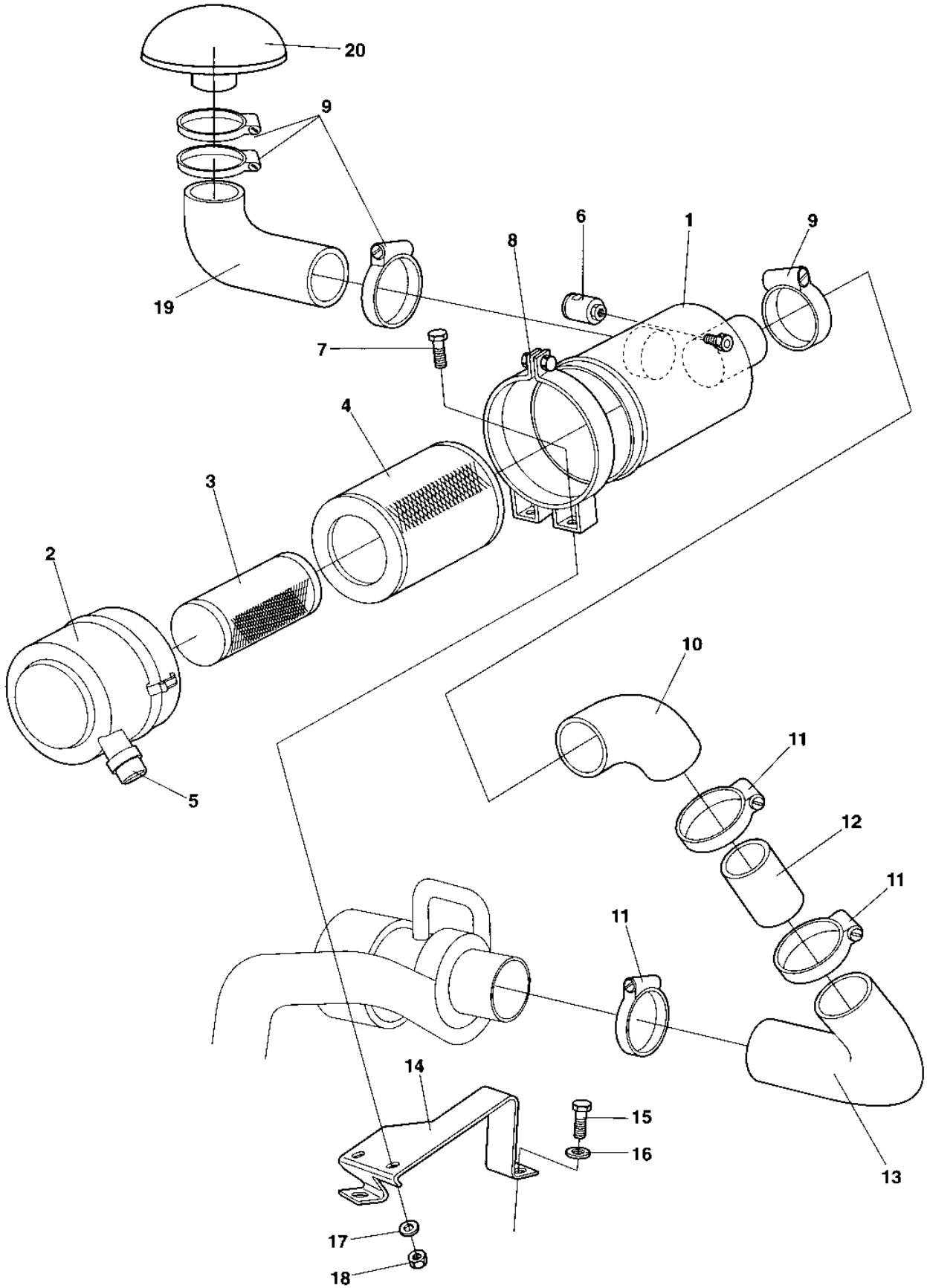
## Cooling system

Ref. No.	Part No.	Rem.	Qty	Description	Code
1	313108		2	Hose clamp	
2	313035		2	Hose clamp	
3	313010		2	Hose clamp	
4	374891		1	Hose	
5	246068	A	1	Hose	
6	246072	B	1	Hose	
7	191792		1	Radiator, cpl	
8	819179201		1	.Radiator	
9	249593		1	.Filler cap	D
10	819179202		1	.Cooling air cover	
11	600005		8	.Washer	
12	604003		8	.Washer	
13	500012		8	.Screw M6x12	
14	374984		1	Hose connector	
16	603023		12	Washer M10	
17	500029		6	Screw M10-1,5x30 8,8	
18	334157		2	Straight connector	
19	615043		9	Washer 8,4x18x2	
20	500021		9	Screw M8-1,25x25 8,8	
21	313023		2	Hose clamp	
22	191783		1	Hose	
23	191790		1	Hose	
24	191789		1	Hose	
25	334132		2	Elbow 45, O-ring	
26	242614		1	Hose connector	
28	240908		1	Clamp	
29	570005		1	Nut M8	
30	570005		4	Nut M8	
31	193109		2	Fan guard	
32	615042		2	Conical spring washer	
33	500012		2	Screw M6x12	
34	265909		1	Manometer	
35	904627		1	Nut M6	
36	230520		1	Locking sleeve R6	
37	926625		1	Sleeve	
38	195814	C	1	Pipe, nylon	D
39	904626		1	Coupling	
40	247154	D	1	Pipe	
41	920787		1	Pipe connection	
42	920783		1	Insert	
43	234867		1	Straight connector	
44	570006		6	Nut M10	

- A) L=0,6 m  
 B) L=1,4 m  
 C) L=0,15 m  
 D) L=0,65 m

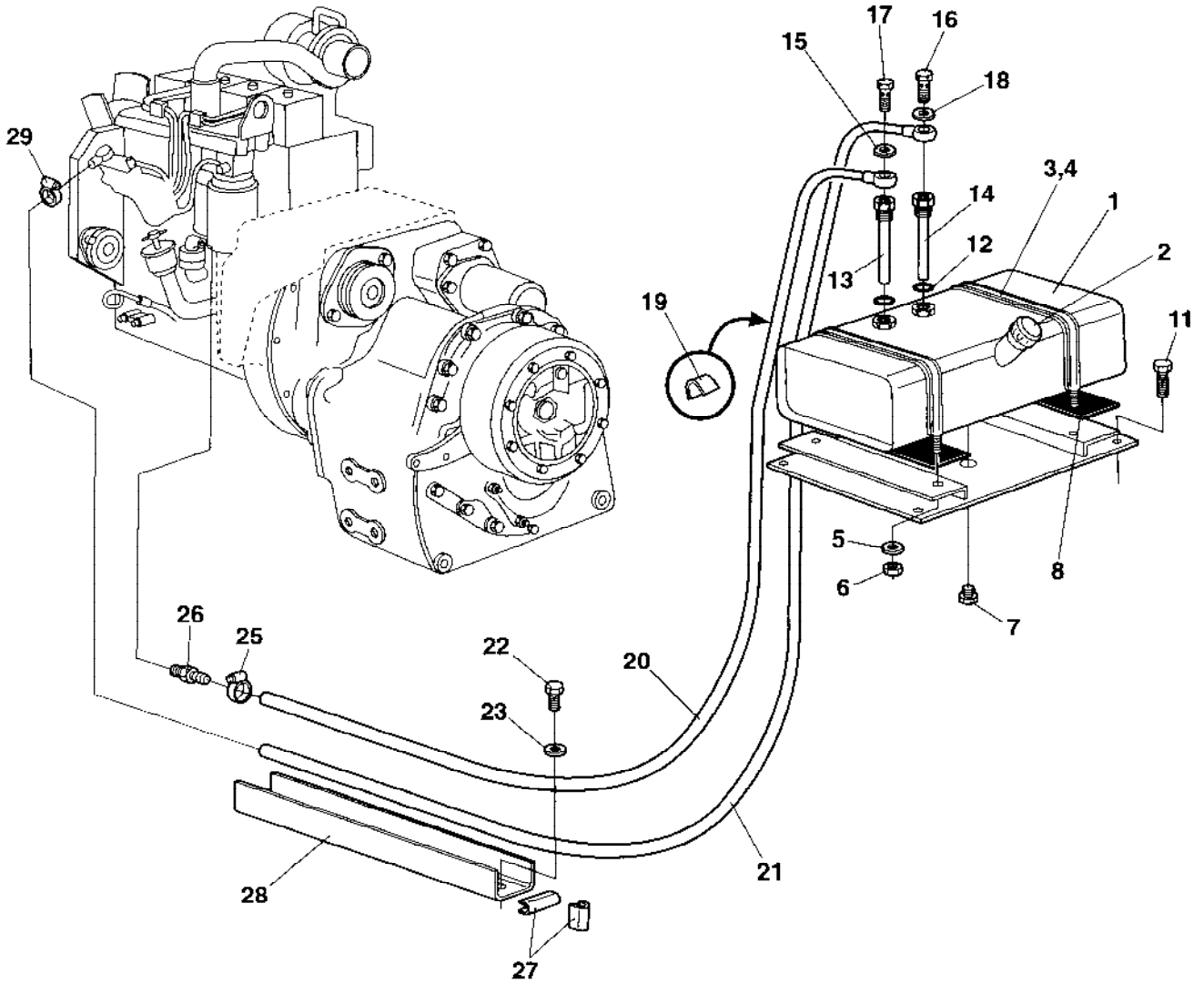
Air cleaner

16358



## Air cleaner

Ref. No.	Part No.	Rem.	Qty	Description	Code
1	374727		1	Air filter, cpl	
2	375023		1	.Cover	
3	374772		1	.Safety filter	A
4	374771		1	.Main filter	A
5	374905		1	.Vacuator valve	
6				See electrical equipment	
7	500053		2	Screw M8-1,25x20 8,8	
8	374745		1	Bracket	
9	313033		2	Hose clamp	D
10	927048		1	Rubber elbow	D
11	313038		3	Hose clamp	
12	191883		1	Pipe	
13	499132		1	Rubber elbow	D
14	380444		1	Bracket	
15	500048		2	Screw M10-1,5x20 8,8	
16	603023		2	Washer M10	
17	904229		2	Washer 8,4x16x1,5	
18	570005		2	Nut M8	
19	375170		1	Rubber hose	D
20	499343		1	Rain cap	D

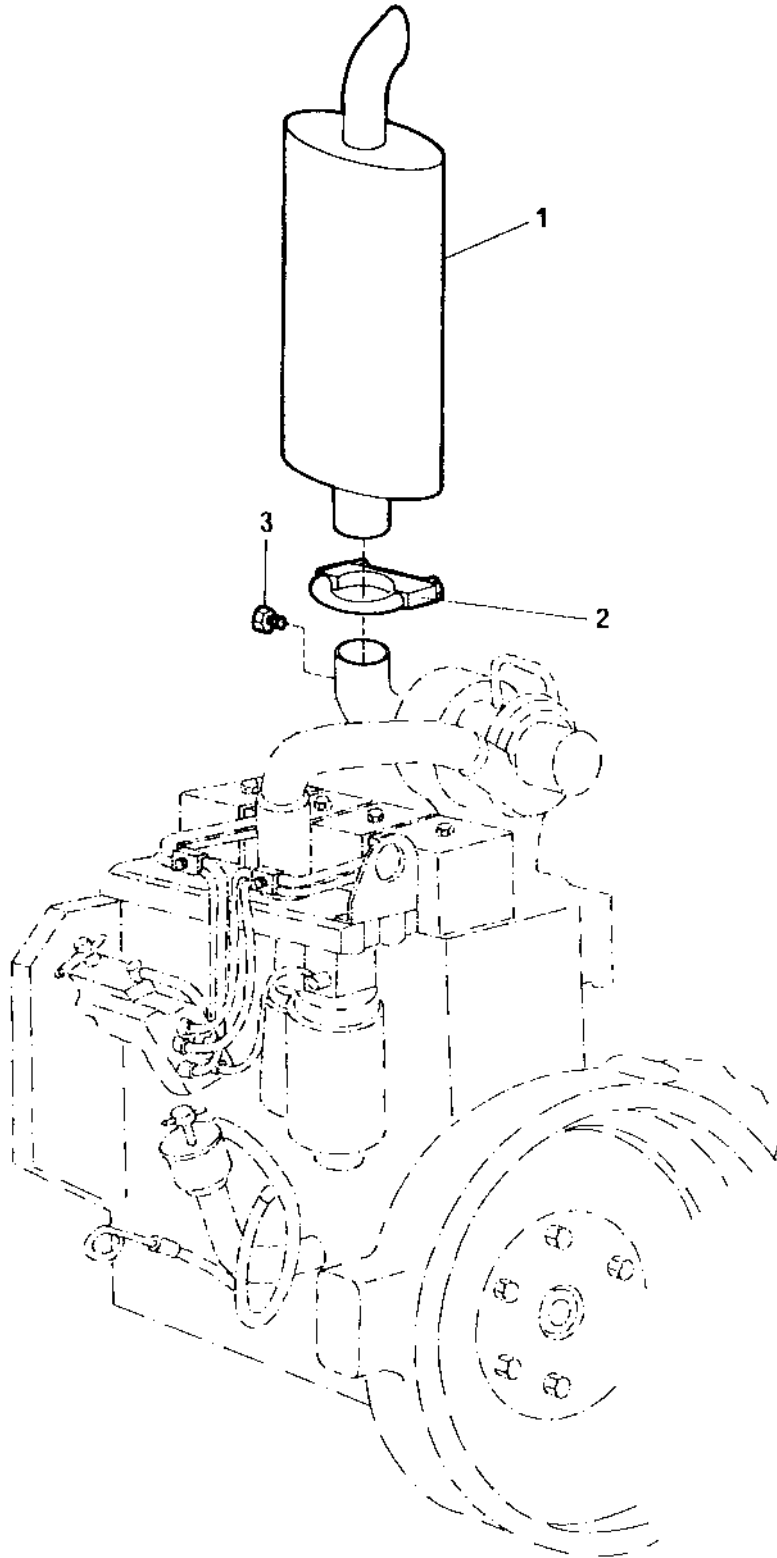


## Fuel system

Ref. No.	Part No.	Rem.	Qty	Description	Code
1	376392		1	Fuel tank	
2			1	Cap See Sprinkler system assembly	
3	191824		2	Clamp, cpl	
4	297018	A		Rubber strip	
5	904231		4	Washer 13x24x2	
6	586019		4	Lock nut M12	
7	374764		1	Plug	
8	264039		6	Shim	
11	904644		4	Screw	
12	330330		2	Washer	
13	374755		1	Pipe	
14	374754		1	Pipe	
15	747282		2	Copper washer 14x20x1,5	
16	330171		1	Hollow screw	
17	330171		1	Hollow screw	
18	747282		2	Copper washer 14x20x1,5	
19	192501		2	Shim	
20	374761		1	Fuel hose	
	929322		1	.Fuel strainer	A
21	374762		1	Fuel hose	
22	500012		8	Screw M6x12	
23	904639		8	Washer 6,7x14x1,5	
25	921161		1	Clamp	
26	334172		1	Adapter	
27	202028	C		Edge trim	
28	380251		1	Channel	
29	313001		1	Hose clamp	
30	500006		5	Screw M5x16	
31	192032		1	Fuel sender	

A) L=1640 mm

C) L=400 mm





## Muffler

Ref. No.	Part No.	Rem.	Qty	Description	Code
1	385975	B	1	Muffler	
2	313112		1	Clamp	D
3	813423		1	Hexagon plug	

B) Replaces earlier used muffler. Introduced from SN 22620385



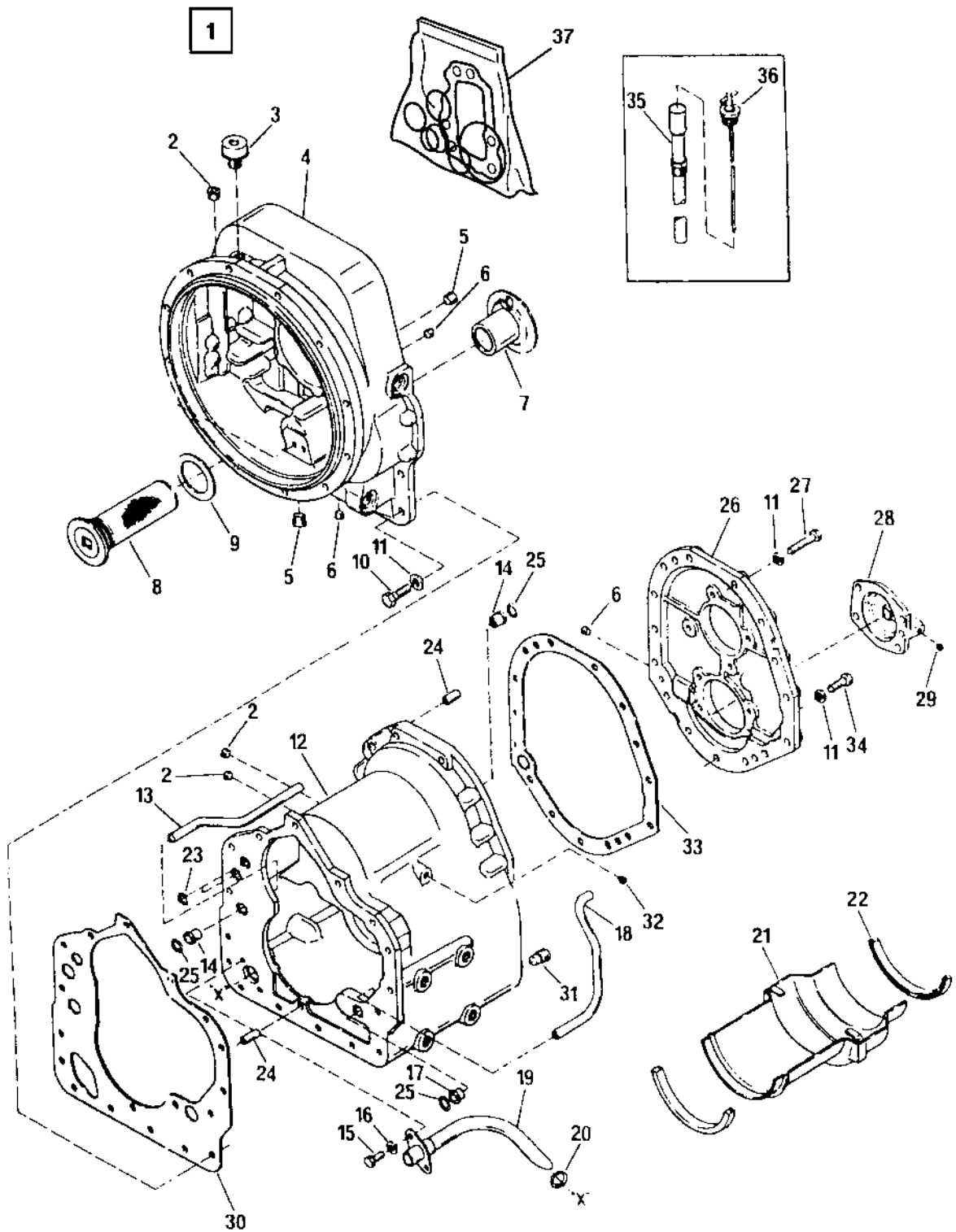
## Transmission

Ref. No.	Part No.	Rem.	Qty	Description	Code
10				Transmission Up to SN 22620318 ( Page 98 )	
20				Transmission From SN 22620319 ( Page 132 )	
30				Differential, Rockwell ( Page 170 )	
40				Cardan shaft assembly up to SN 22620342 ( Page 174 )	
50				Cardan shaft assembly from SN 22620343 ( Page 176 )	
60				Cardan shaft, Albarus ( Page 178 )	



## Transmission Up to SN 22620318

Ref. No.	Part No.	Rem.	Qty	Description	Code
10				Converter housing & case ( Page 100 )	
20				Turbine shaft, stator support ( Page 102 )	
30				Drive plate ( Page 104 )	
40				Torque converter ( Page 106 )	
50				Auxiliary pump drive ( Page 108 )	
60				Charging pump drive ( Page 110 )	
70				Reverse & 2nd shaft ( Page 112 )	
80				Low speed shaft ( Page 114 )	
90				Forward shaft ( Page 116 )	
100				Reverse idler ( Page 118 )	
110				Output & 3rd clutch ( Page 120 )	
120				Chrging pump & oil filter ( Page 122 )	
130				Control valve ( Page 124 )	
160				Disc brake ( Page 128 )	

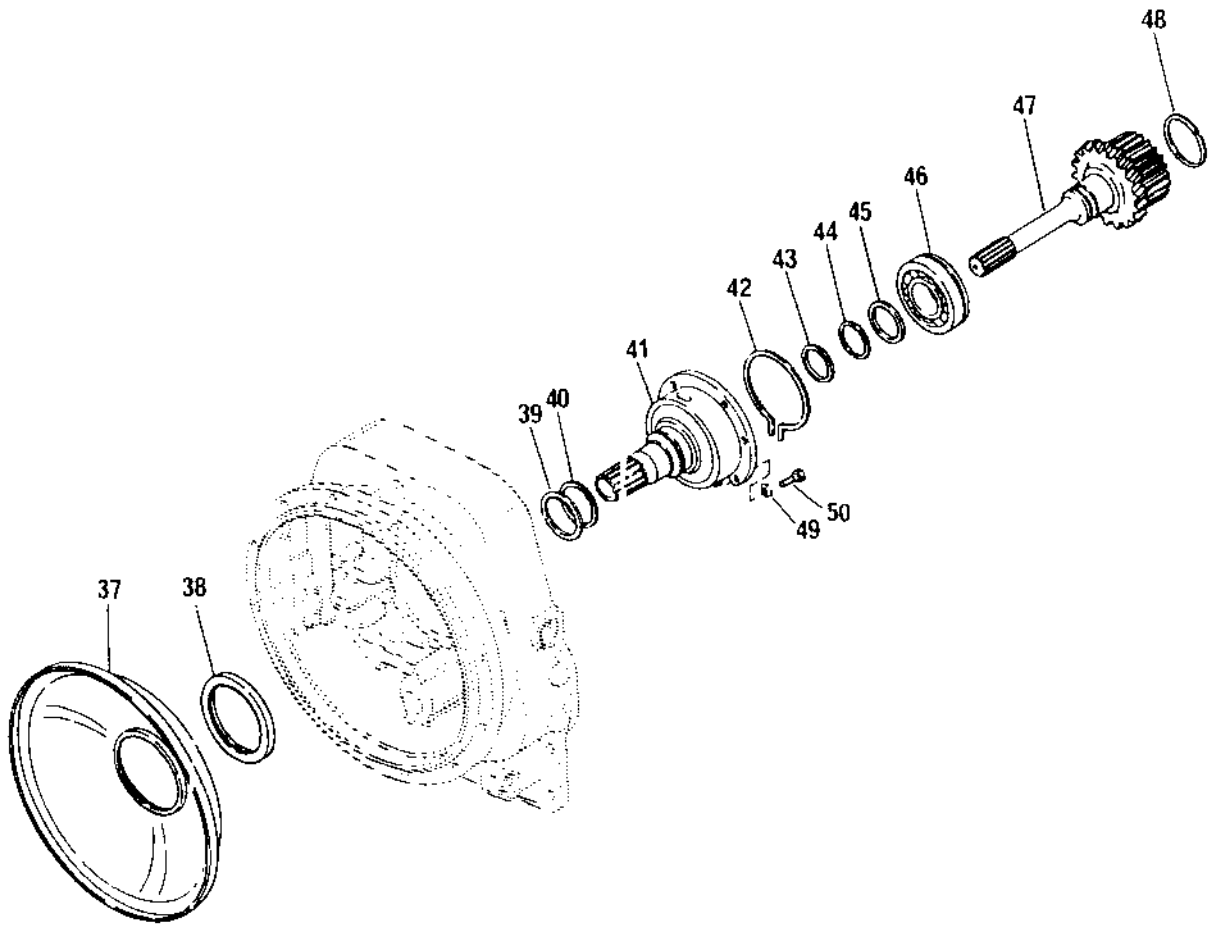


## Converter housing &amp; case

Ref. No.	Part No.	Rem.	Qty	Description	Code
1	374966		1	Transmission	
2			1	.Plug	
3	240667		1	.Breather	
4			1	.Housing	
5			2	.Plug	
6	240675		2	.Plug	
7	240618		1	.Bushing	
8	240594		1	.Filter	
9	193666		1	.Gasket	
10	240563		16	.Screw	
11			31	.Spring washer	
12			1	.Housing, cpl	
13	240606		1	..Tube	
14	240583		2	..Bushing	
15	240560		2	..Screw	
16	240716		2	..Spring washer	
17	240582		1	..Bushing	
18	240656		1	..Tube	
19	240605		1	..Tube	
20	193663		1	..O-ring	
21	240622		1	..Oil deflector	
22	193662		2	..Deflector sealing	
23	193664		2	.O-ring	
24	240580		3	.Pin	
25	193659		3	.O-ring	
26	240634		1	.Rear cover	
27			9	.Screw	
28	193660		1	.Cover	
29			1	..Plug	
30	193665		1	.Gasket	
31			2	.Magnetic plug	
32			1	.Plug	
33	193661		1	.Gasket	
34	240563		6	.Screw	
35	240645		1	.Guide tube	
36			1	.Oil dipstick	
37	939297		1	Seal kit Transm. section	
	939298		1	Seal kit Converter section	

Turbine shaft, stator support

16456



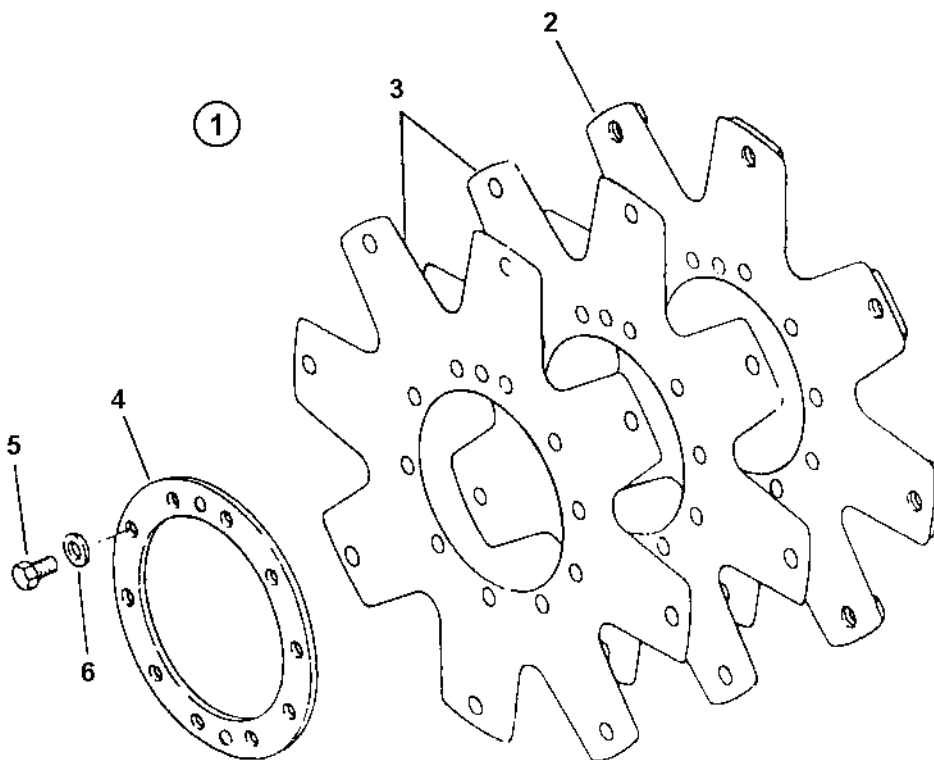


## Turbine shaft, stator support

Ref. No.	Part No.	Rem.	Qty	Description	Code
37	240627		1	Oil deflector	
38	193670		1	.Seal ring	
39	193669		1	Seal ring	
40			1	Extension spring	
41			1	Gear	
42	240615		1	Snap ring	
43	193667		1	Seal ring	
44	240595		1	Retaining ring	
45	240616		1	Washer	
46	240682		1	Bearing	
47	240686		1	Shaft	
48	240688		1	.Retaining ring	
49			6	Spring washer	
50	240561		6	Screw	

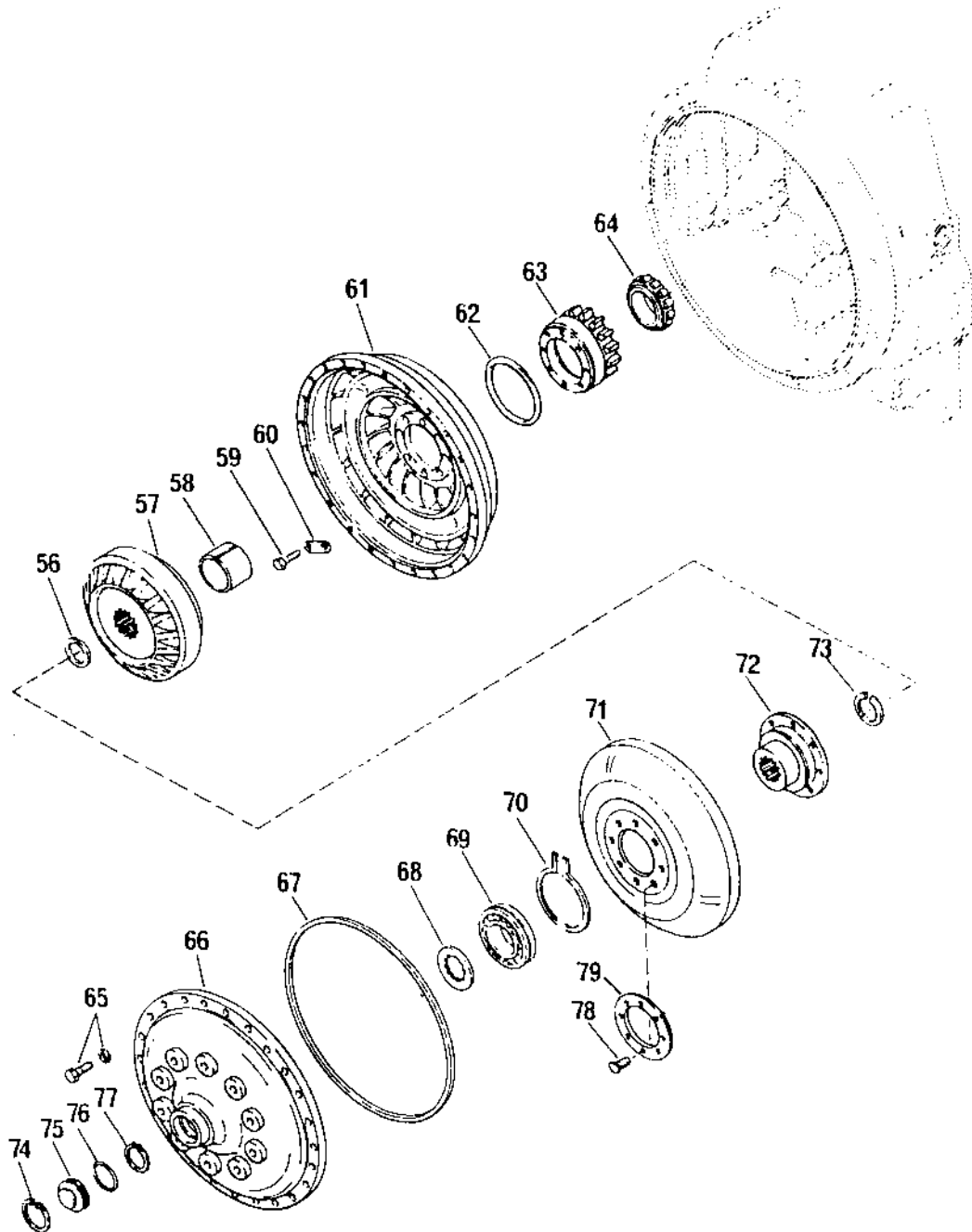
Drive plate

16457-1



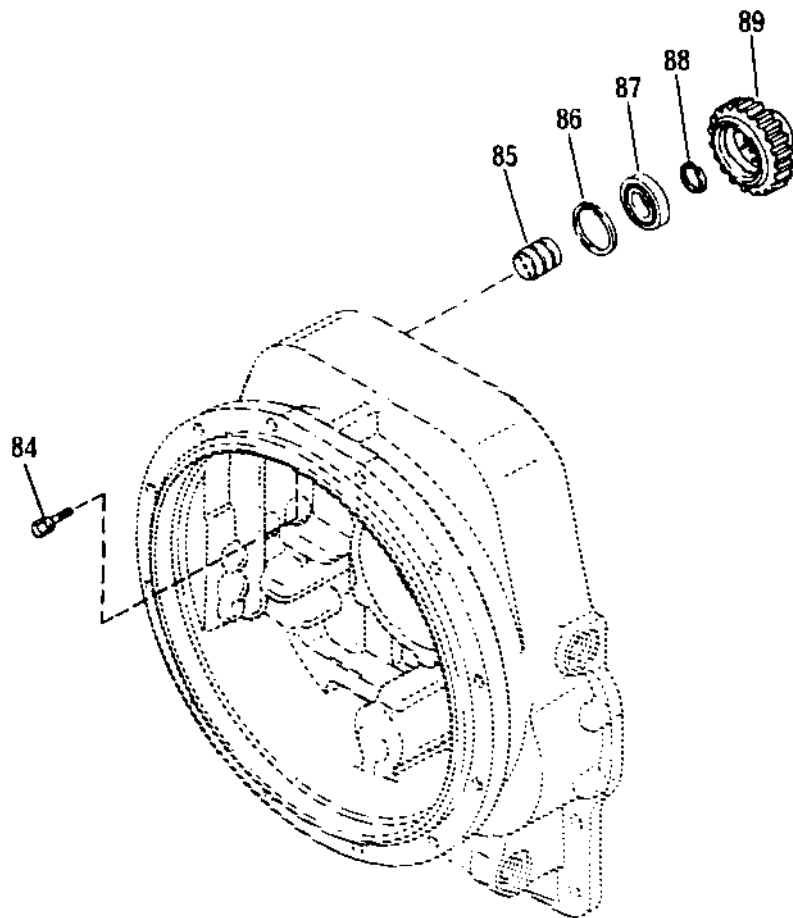
## Drive plate

Ref. No.	Part No.	Rem.	Qty	Description	Code
1	938557		1	Drive plate, cpl.	
2			1	.Not Sold Separately	
3			2	.Not Sold Separately	
4	193673		1	.Support ring	
5	240721		10	.Screw	
6	938435		10	.Washer	

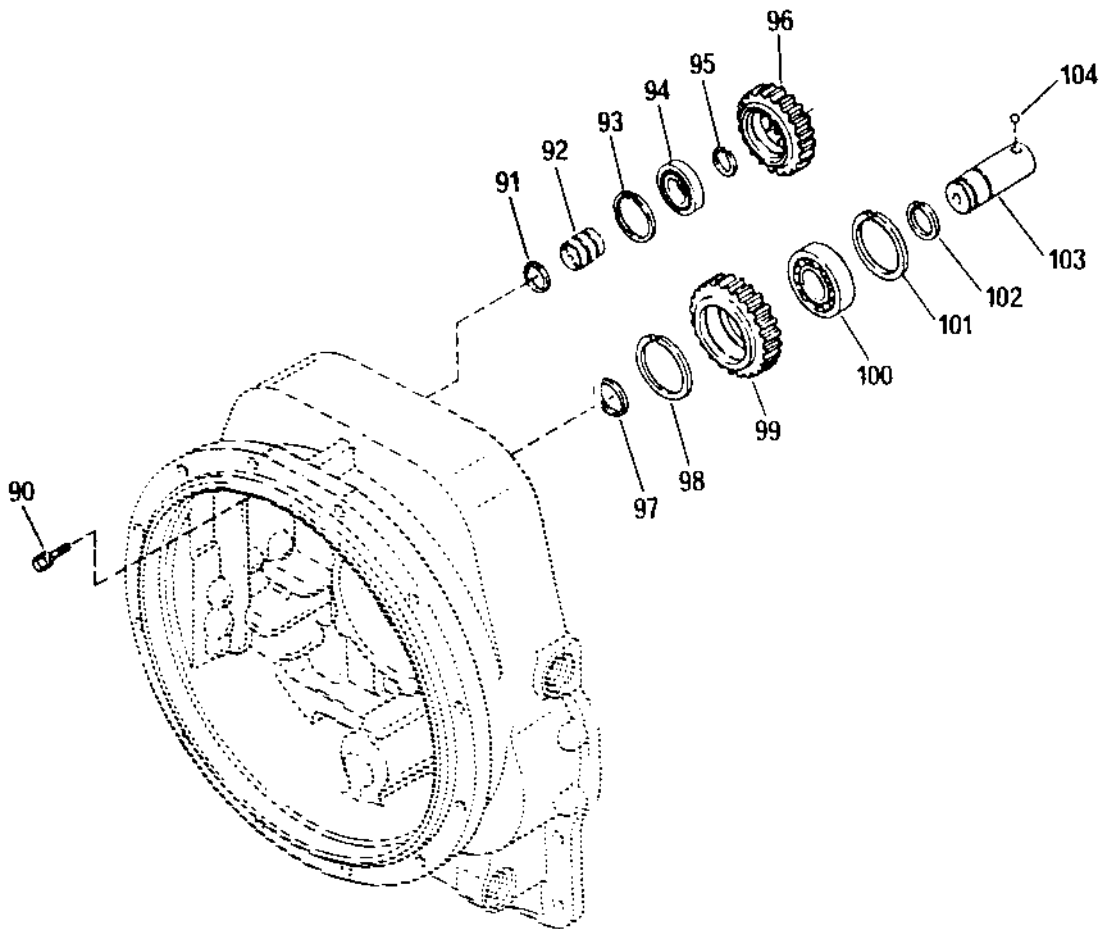


## Torque converter

Ref. No.	Part No.	Rem.	Qty	Description	Code
56	240729		1	Seal ring	
57	240683		1	Stator	
58	240701		1	Spacer	
59	240576		8	Screw	
60	240612		4	Lock plate	
61			1	Impeller	
62	193674		1	O-ring	
63	240665		1	Impeller hub	
64	240666		1	Bearing	
65			24	Screw with washer	
66			1	Impeller cover	
67	193676		1	O-ring	
68			1	Ring	
69	240613		1	Bearing	
70	240614		1	Seal ring	
71	240679		1	Turbine	
72	240680		1	Hub	
73	240573		1	Seal ring	
74	240574		1	Retaining ring	
75	240584		1	Plug	
76	193677		1	O-ring	
77	240573		1	Seal ring	
78	240696		12	Screw	
79			1	Washer	

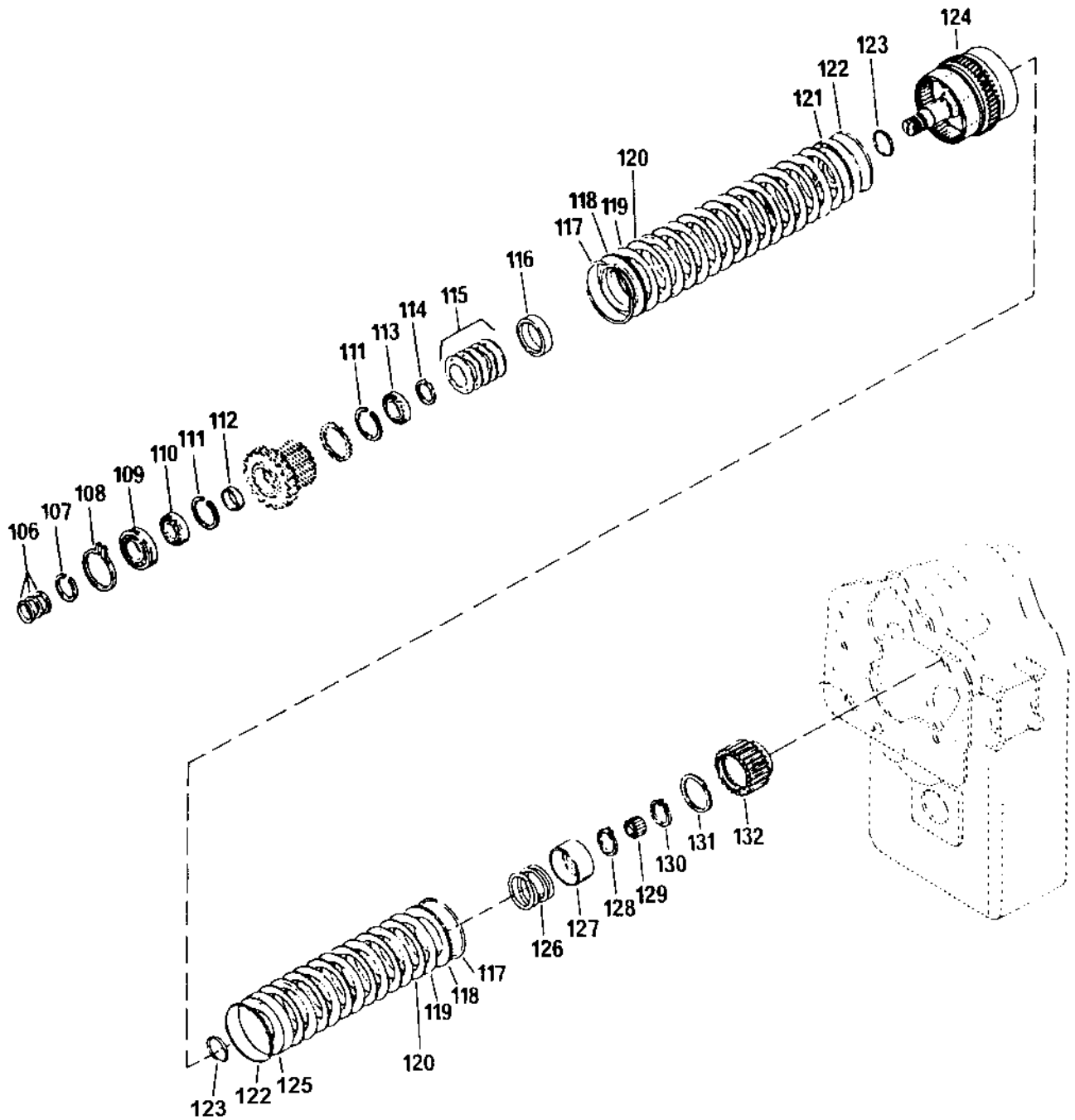


Ref. No.	Part No.	Rem.	Qty	Description	Code
84			2	Screw with washer	
85	240623		1	Support	
86	240586		1	Retaining ring	
87	240663		1	Bearing	
88	240629		1	Locating ring	
89	240677		1	Gear	

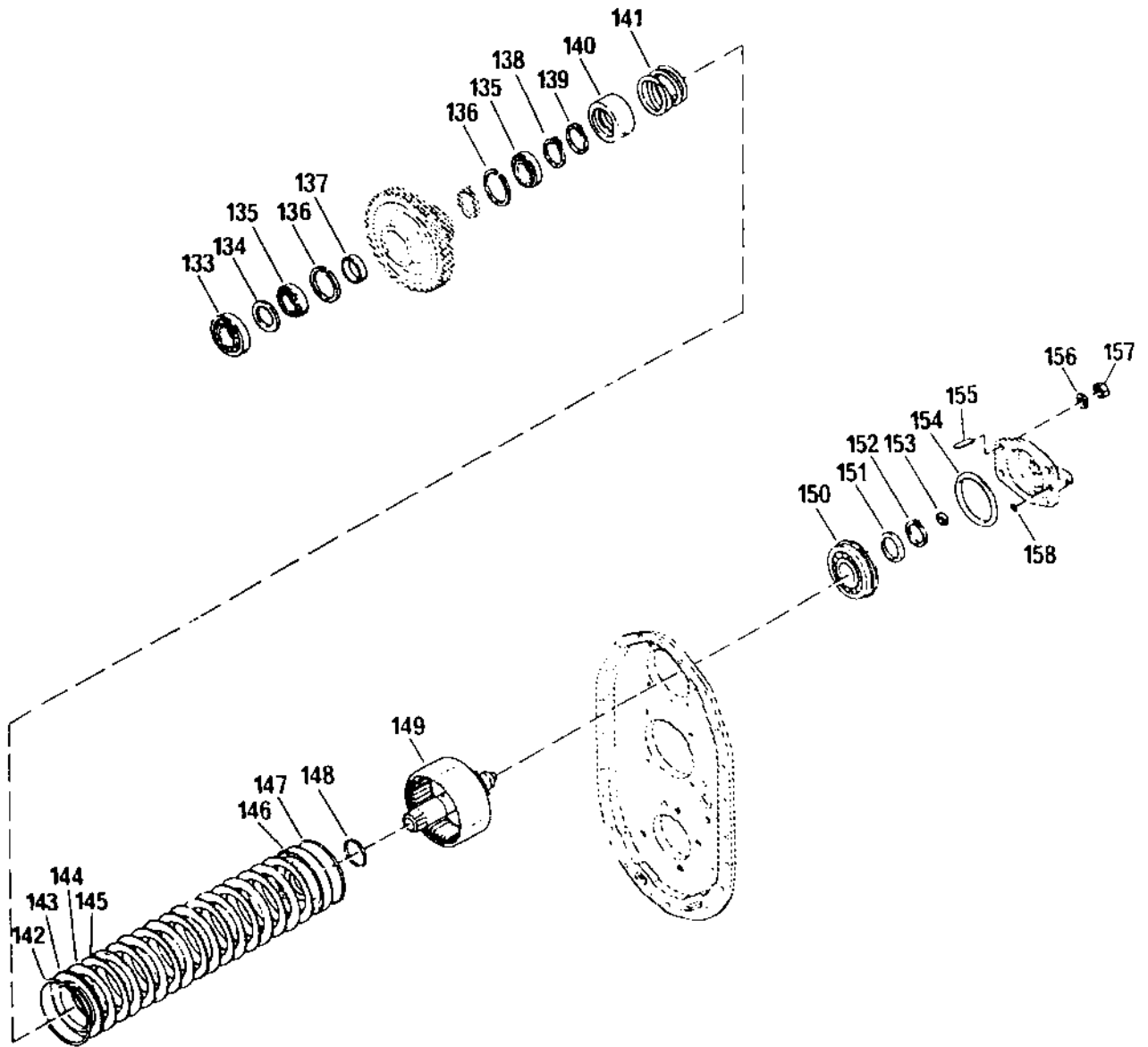




Ref. No.	Part No.	Rem.	Qty	Description	Code
90	193678		2	Screw with washer	
91	240629		1	Locating ring	
92	240623		1	Support	
93	240587		1	Seal ring	
94	193679		1	Bearing	
95	240629		1	Locating ring	
96	240661		1	Gear	
97	240629		1	Locating ring	
98	240558		1	Seal ring	
99	240660		1	Intermediate gear	
100	240664		1	Bearing	
101	240588		1	Retaining ring	
102	240629		1	Locating ring	
103	240662		1	Shaft	
104	193680		1	Ball	



Ref. No.	Part No.	Rem.	Qty	Description	Code
106	193683		3	Piston ring	
107	193684		1	Retaining ring	
108	240593		1	Snap ring	
109	240585		1	Bearing	
110			1	Bearing	
111	240602		2	Retaining ring	
112	240620		1	Spacer	
113			1	Bearing	
114	240655		1	Snap ring	
115	193685		1	Disc spring	
116	240651		1	Spacer	
117	240601		2	Snap ring	
118	240649		2	Support disc	
119	240650		14	Inner disc	
120	240600		14	Outer disc	
121	240640		1	Piston	
122	193686		2	Seal ring, outer	
123	193687		2	Seal ring, inner	
124	240697		1	Plate carrier	
125	240642		1	Piston	
126	240639		1	Spring	
127	240638		1	Spring stop	
128	240626		1	Snap ring	
129	240596		1	Bearing	
130	240625		1	Retaining ring	
132	938379		1	Hub	

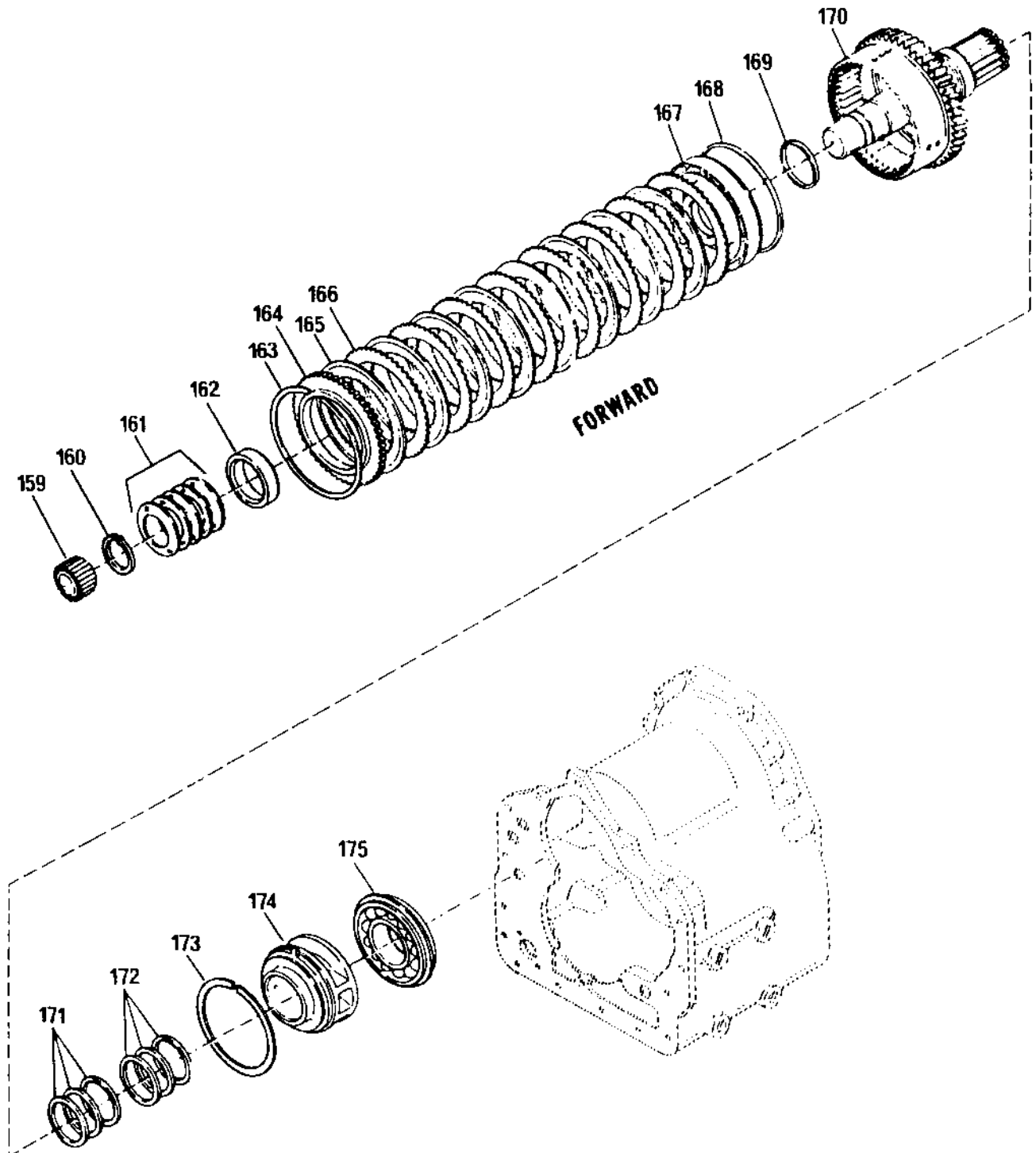


## Low speed shaft

Ref. No.	Part No.	Rem.	Qty	Description	Code
133	240591		1	Bearing	
134	240604		1	Spacer	
135	240592		2	Bearing	
136	240588		2	Retaining ring	
137	240621		1	Spacer	
138	240625		1	Retaining ring	
139	240626		1	Snap ring	
140	240638		1	Spring stop	
141	240639		1	Spring	
142	240601		1	Snap ring	
143	240649		1	Support disc	
144	240624		8	Inner disc	
145	240600		8	Outer disc	
146			1	Piston	
147	193686		1	Seal ring, outer	
148	193687		1	Seal ring, inner	
149	240641		1	Disc carrier	
150	240681		1	Bearing	
151	240616		1	Washer	
152	240625		1	Retaining ring	
153	193699		1	Piston ring	
154	193700		1	O-ring	
155	193701		4	Stud	
156			4	Spring washer	
157	193702		4	Nut	
158	193703		1	O-ring	

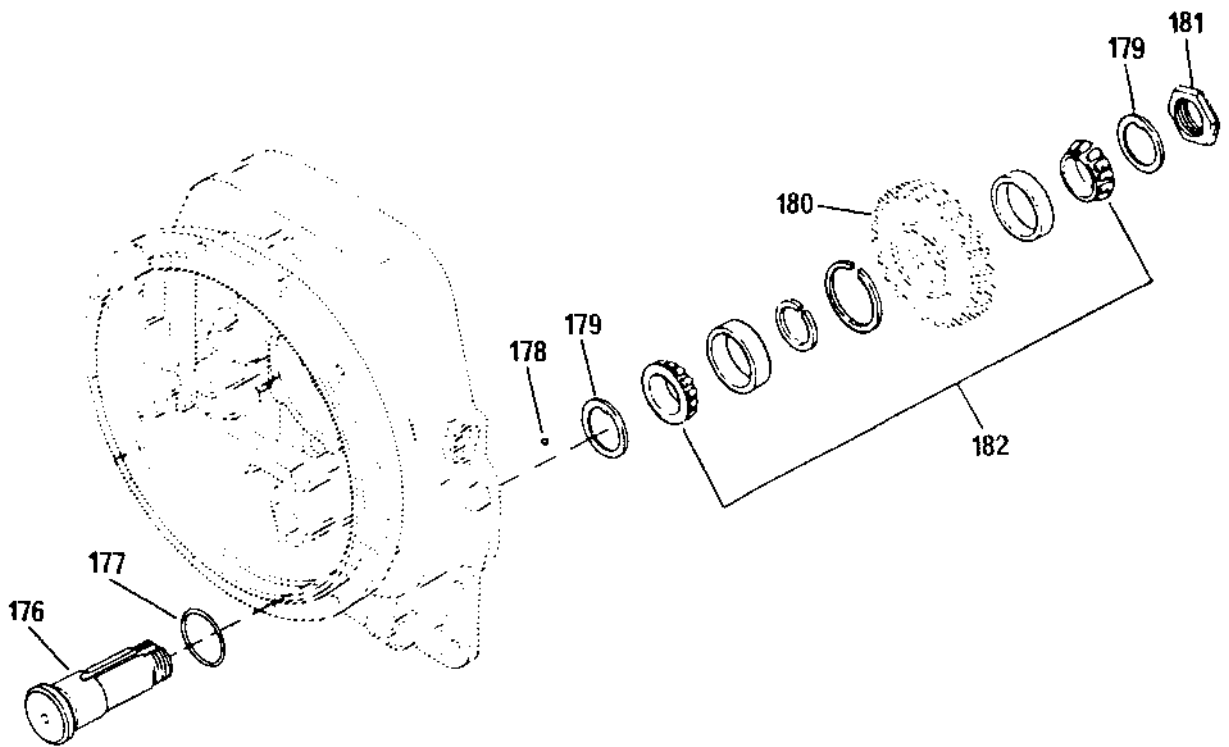
Forward shaft

16221



## Forward shaft

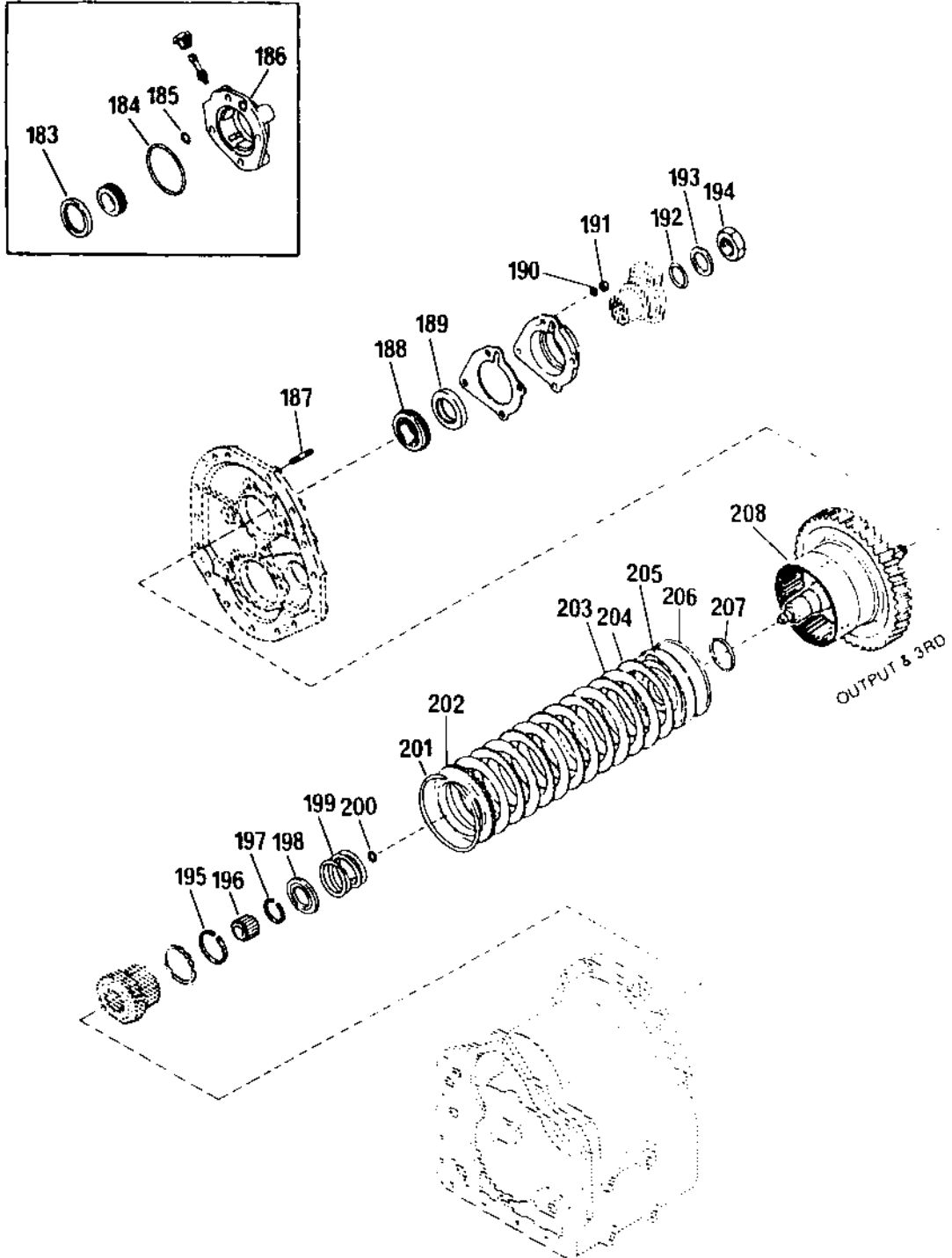
Ref. No.	Part No.	Rem.	Qty	Description	Code
159	240636		1	Needle bearing	
160	240655		1	Snap ring	
161	193685		1	Disc spring	
162	240651		1	Spacer	
163	240601		1	Snap ring	
164	240649		1	Support disc	
165	240650		8	Inner disc	
166	240600		8	Outer disc	
167	240640		1	Piston	
168	193686		1	Seal ring, outer	
169	193687		1	Seal ring, inner	
170	240653		1	Plate carrier	
171	938362		4	Piston ring expander	
172	938368		4	Piston ring	
173	240637		1	Retaining ring	
174	240691		1	Bushing	
175	240695		1	Bearing	



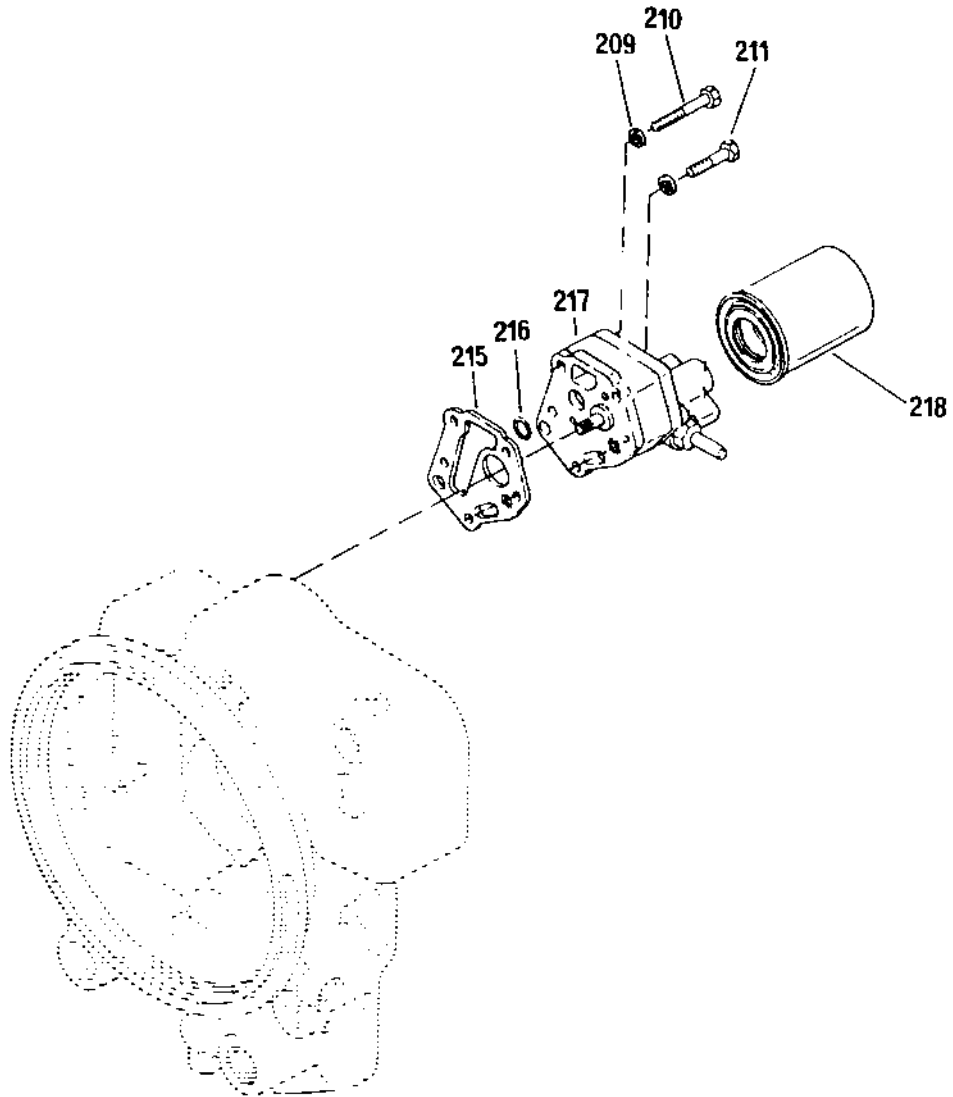


## Reverse idler

Ref. No.	Part No.	Rem.	Qty	Description	Code
176	193707		1	Intermediate shaft	
177	193708		1	O-ring	
178	240567		1	Ball	
179	240673		2	Washer	
180	240669		1	Intermediate gear	
181	240579		1	Nut	
182	193709		1	Bearing	

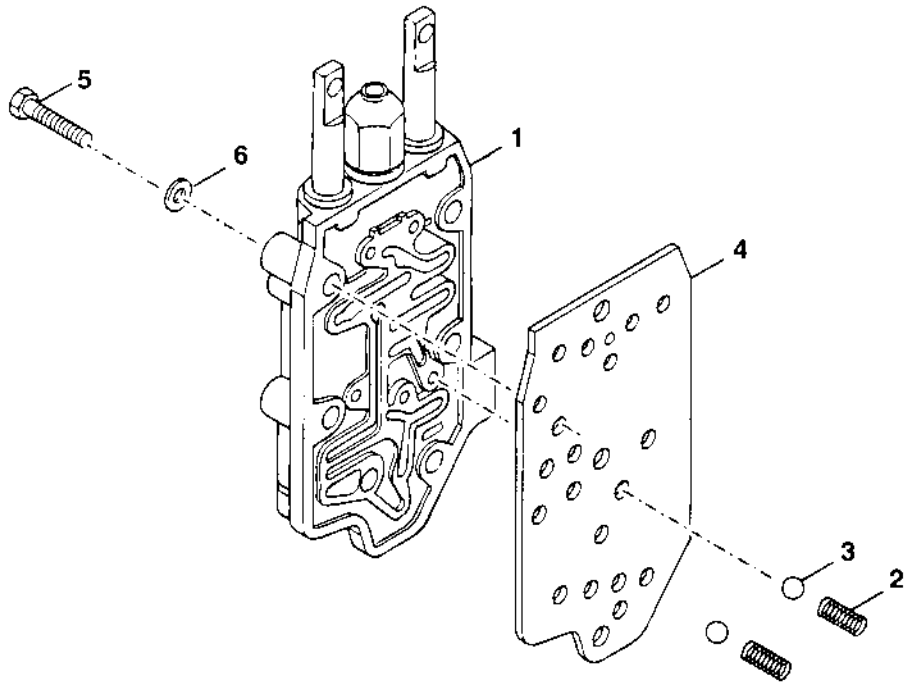


Ref. No.	Part No.	Rem.	Qty	Description	Code
183	240630		1	Spacer	
184	193712		1	O-ring	
185	193713		1	O-ring	
186			1	Cover	
187			4	Stud	
188	240590		1	Bearing	
189	193710		1	Oil seal	
190			4	Spring washer	
191	240728		4	Nut	
192	193711		1	O-ring	
193	240570		1	Washer	
194	240581		1	Nut	
195	240659		1	Retainer ring	
196	240603		1	Needle bearing	
197	240626		1	Snap ring	
198	240638		1	Spring stop	
199	240639		1	Spring	
200	193699		1	Piston ring	
201	240601		1	Snap ring	
202	240649		1	Support disc	
203	240650		6	Inner disc	
204	240600		6	Outer disc	
205	240642		1	Piston	
206	193686		1	Seal ring, outer	
207	193687		1	Seal ring, inner	
208	240643		1	Disc carrier	



## Chrging pump &amp; oil filter

Ref. No.	Part No.	Rem.	Qty	Description	Code
209			5	Spring washer	
210	240566		1	Screw	
211	240565		2	Screw	
212			2	Nut	
215	193714		1	Gasket	
216	193664		1	O-ring	
217	193715		1	Hydraulic pump	
	938746	A	1	Gasket kit	
218	249993		1	Oil filter	A
A)	Not illustrated				

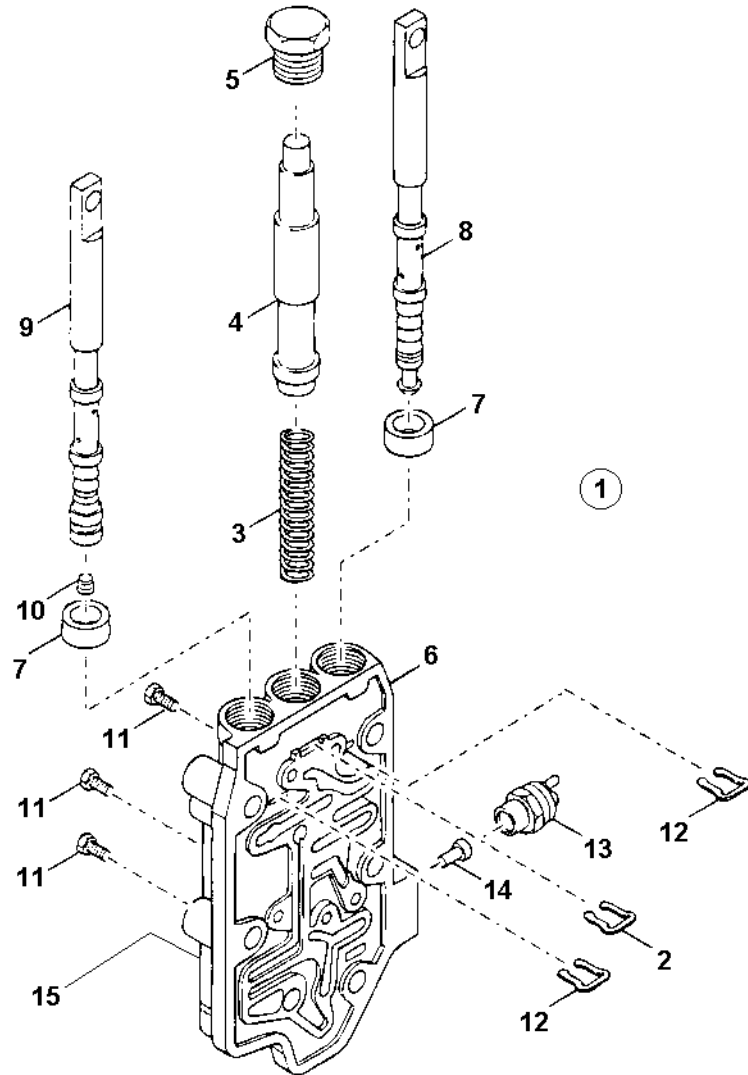


## Control valve

Ref. No.	Part No.	Rem.	Qty	Description	Code
1	240647		1	Control valve assembly ( Page 126 )	
2	240632		2	Spring	
3	240568		2	Ball	
4	193716		1	Gasket	
5	240562		9	Screw	
6	938435		9	Washer	

240647 Control valve assembly

17309-1



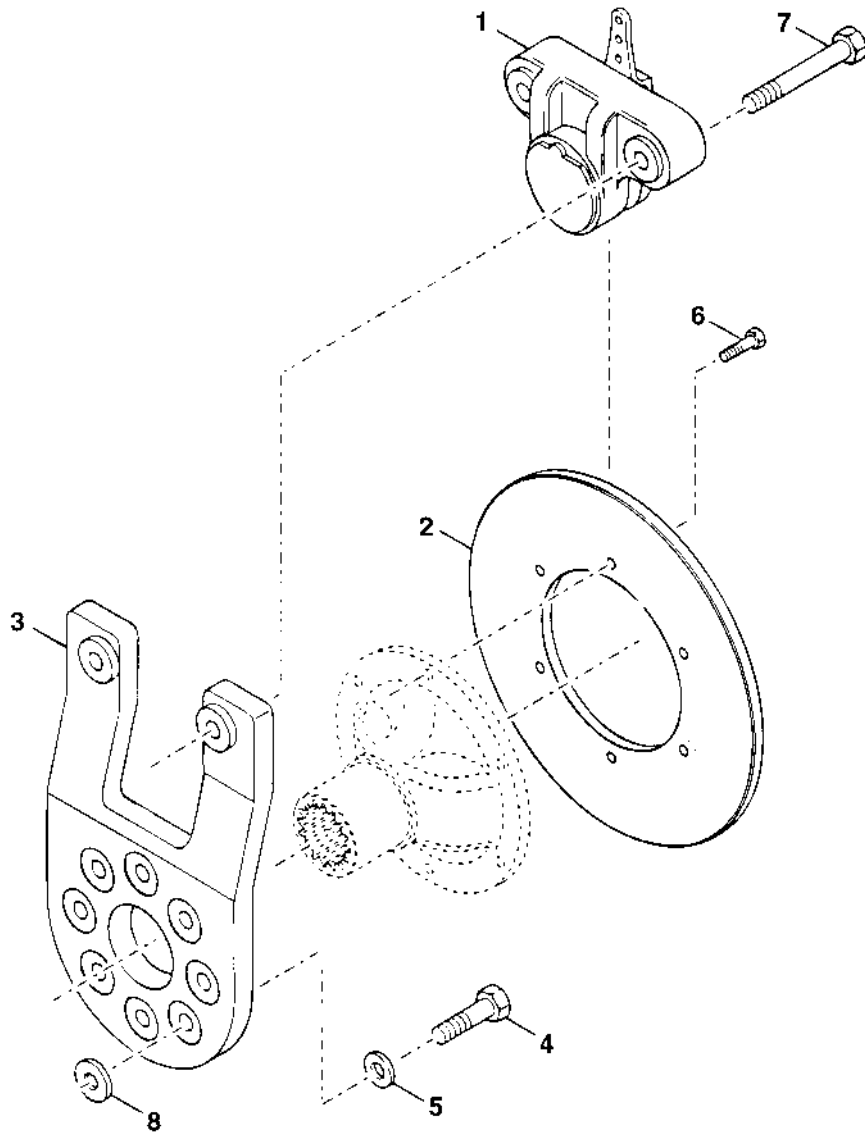


## 240647 Control valve assembly

Ref. No.	Part No.	Rem.	Qty	Description	Code
1			1	Control valve, cpl	
2	240609		1	.Clamp	
3	240610		1	.Valve spring	
4	240611		1	.Control piston	
5	240685		1	.Back stop	
6	240648		1	.Control valve, assy	
7	193719		1	..Oil seal	
8	240608		1	..Control piston	
9	240607		1	..Control piston	
10	240674		1	...Plug	
11	240720		4	..Plug	
12	240609		2	..Clamp	
13	240598	A	1	..Switch	
14	240599		1	..Pin	
15	193045	B	1	Sensor	

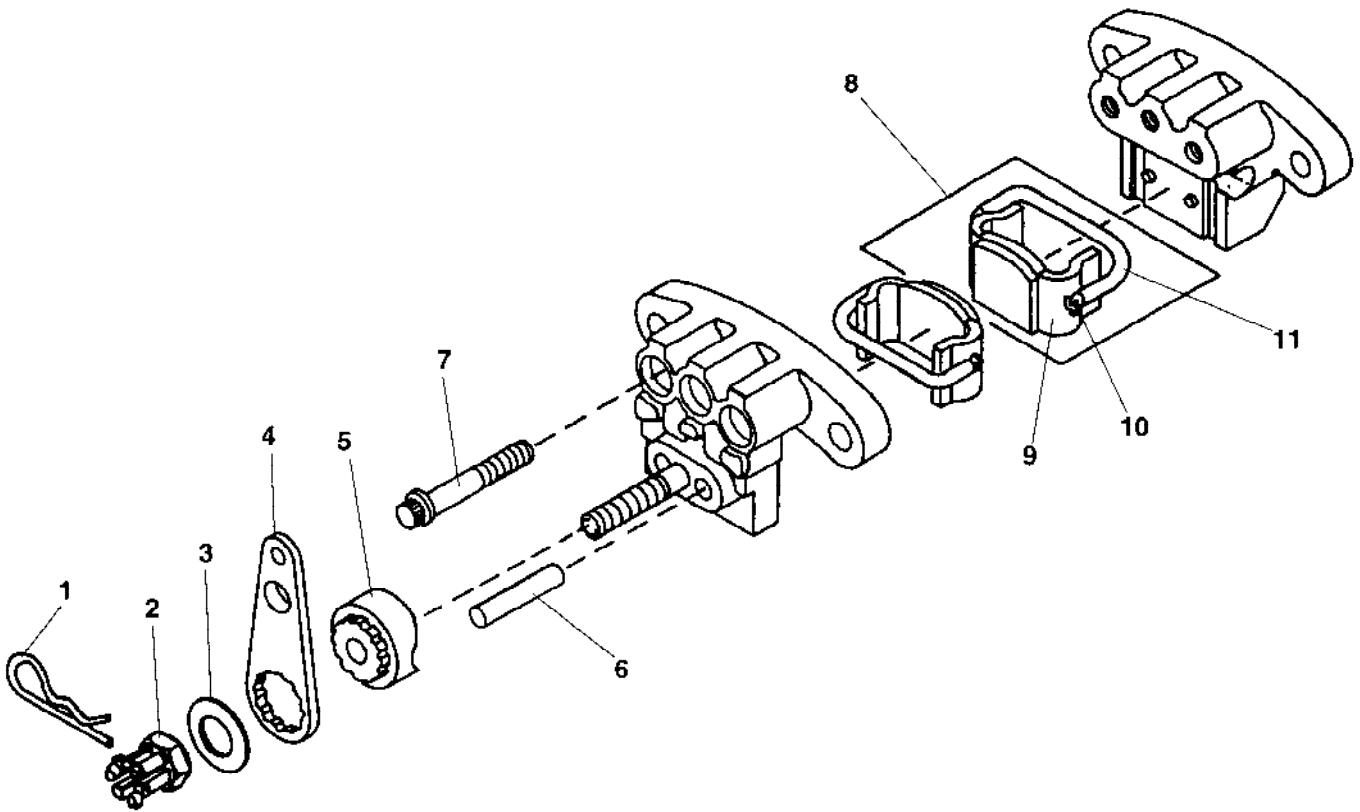
A) Neutral start switch

B) Reverse sensor, always sold separately, (not illustrated)



## Disc brake

Ref. No.	Part No.	Rem.	Qty	Description	Code
1	937693		1	Brake caliper ( Page 130 )	
2	938108		1	Disc	
3	939430		1	Bracket	
4	938354		4	Screw	
5	938374		4	Washer	
6	938355		6	Screw	
7	939428		2	Screw	
8	939429		2	Nut	

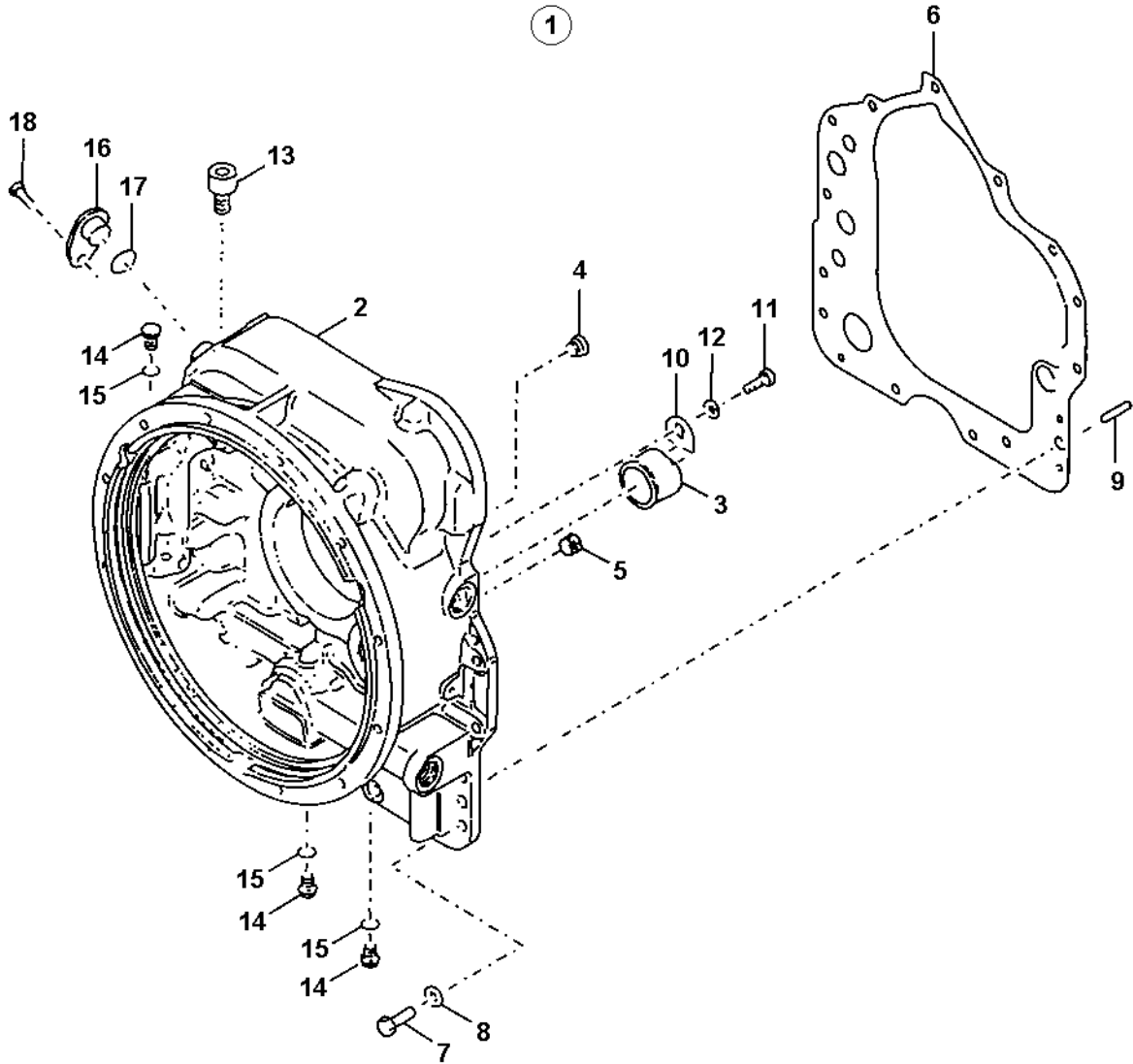


Ref. No.	Part No.	Rem.	Qty	Description	Code
			1	Brake caliper, cpl	
1	937683		1	.Hitch pin	
2	937684		1	.Castle nut	
3	937685		1	.Washer	
4	937686		1	.Lever	
5	937687		1	.Cam	
6	937688		1	.Push pin	
7	937689		3	.Bolt	
8	937682		2	.Pad & holder, spring assembly	
9	937690		1	..Pad & holder assembly	D
10	937691		2	..Spring retainer	D
11	937692		1	..Spring	D



## Transmission From SN 22620319

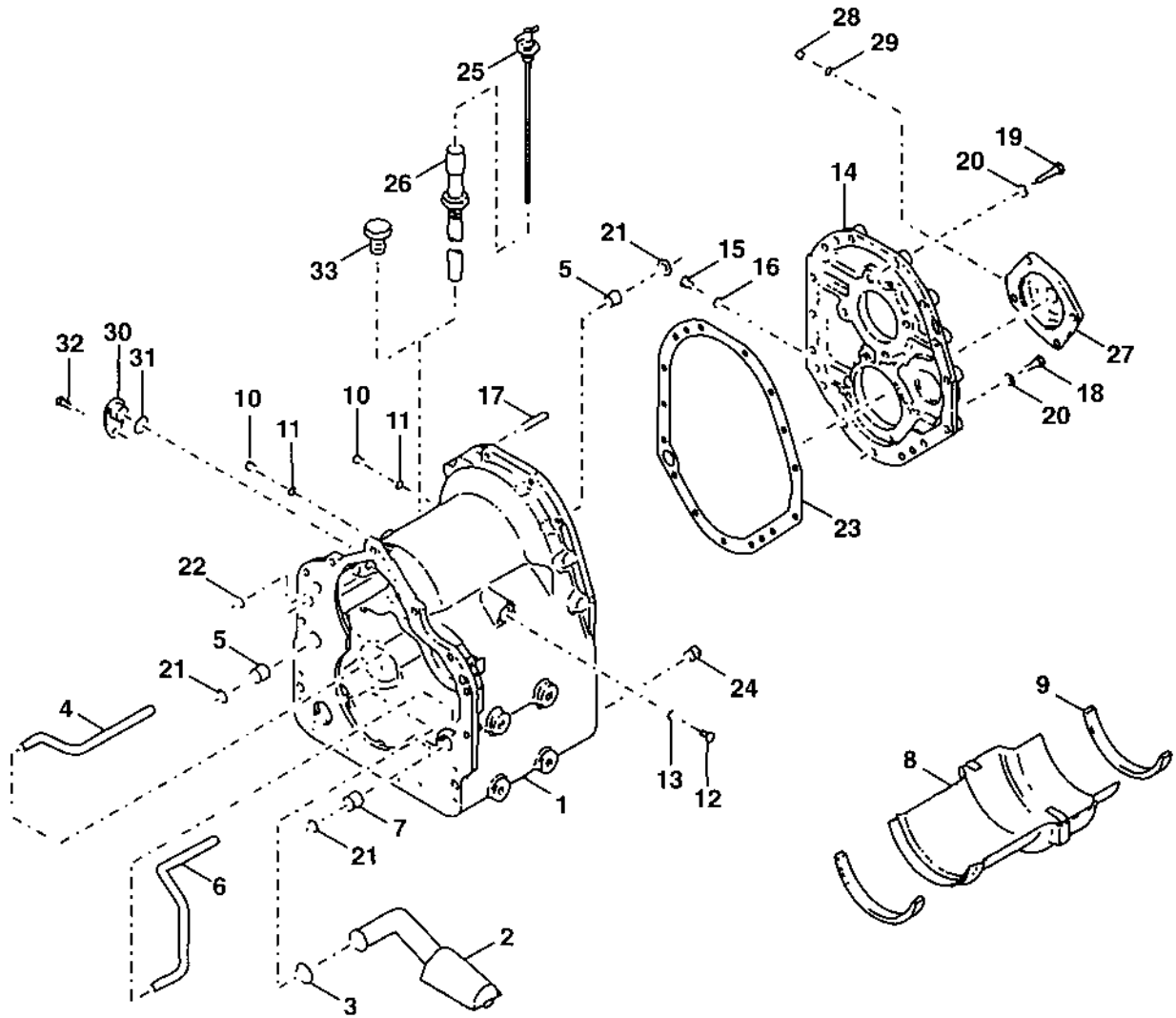
Ref. No.	Part No.	Rem.	Qty	Description	Code
15				Converter housing ( Page 134 )	
25				Case and rear cover ( Page 136 )	
35				Turbine shaft ( Page 138 )	
45				Drive plate ( Page 140 )	
55				Torque converter ( Page 142 )	
65				Gear ( Page 144 )	
75				Auxiliary pump drive ( Page 146 )	
85				Pump drive ( Page 148 )	
95				Forward shaft ( Page 150 )	
105				Reverse and 2nd shaft ( Page 152 )	
115				Reverse idler ( Page 154 )	
125				Low speed shaft ( Page 156 )	
135				Output and 3rd shaft ( Page 158 )	
145				Charging pump and filter ( Page 160 )	
155				Control valve ( Page 124 )	
175				Disc brake Up to 22620429 ( Page 166 )	



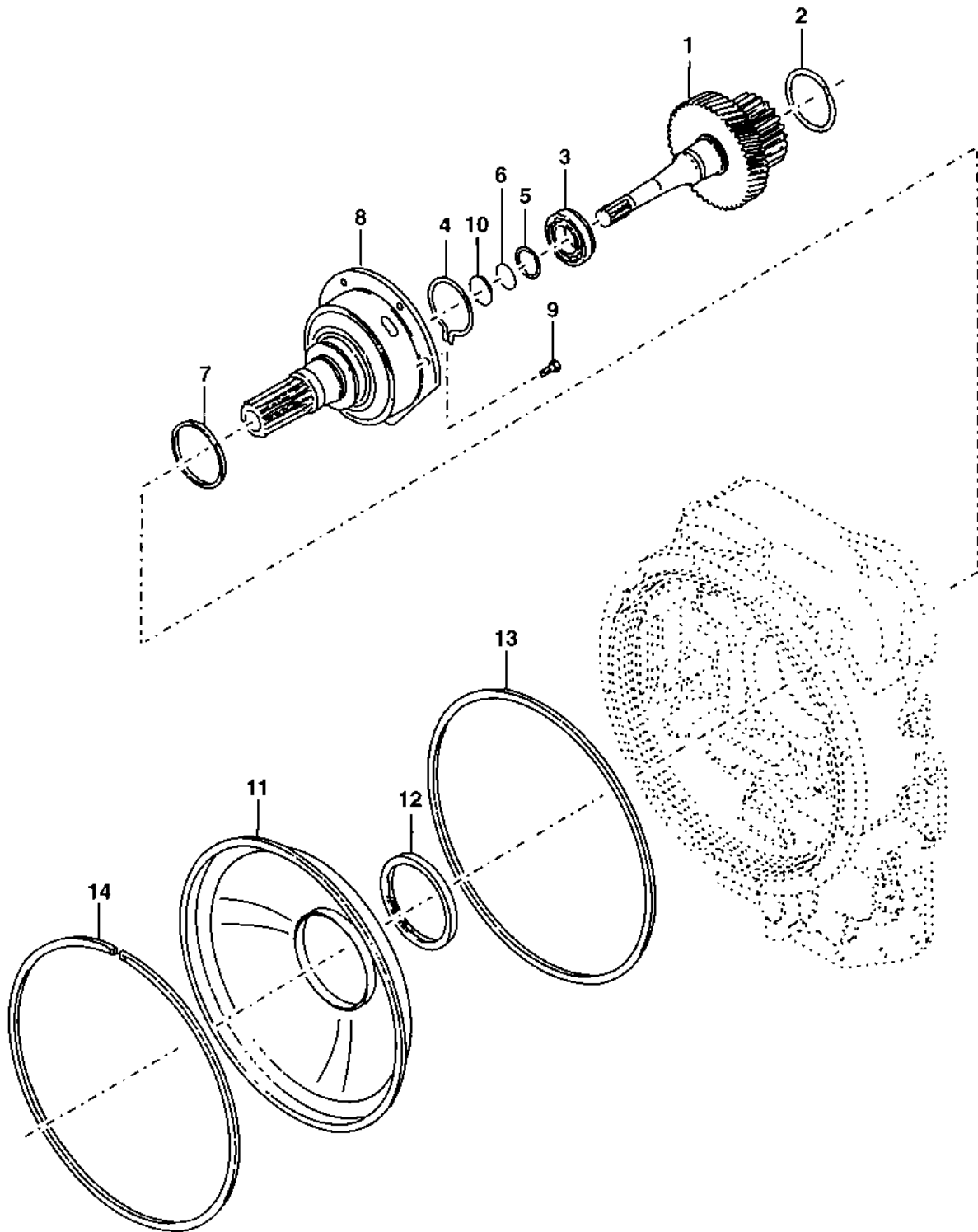


## Converter housing

Ref. No.	Part No.	Rem.	Qty	Description	Code
1	381950		1	Transmission	
2	938350		1	.Converter housing	
3	938370		1	.Sleeve	
4	938351		1	.Plug	
5	240675		1	.Plug	
6	938420		1	.Gasket	
7	240563		16	.Screw	
8	938436		16	.Washer	
9	938381		1	.Pin	
10	938359		1	.Clip	
11	240560		1	.Screw	
12	938434		1	.Washer	
13	240667		1	.Breather	
14	938431		3	.Plug	
15	938448		3	.O-ring	
16	938377		1	.Plug	
17	938380		1	.O-ring	
18	938376		1	.Screw	



Ref. No.	Part No.	Rem.	Qty	Description	Code
1	938421		1	Transmission housing	
2	938423		1	.Suction tube	
3	938402		1	.O-ring	
4	240606		1	.Tube	
5	240583		2	.Bushing	
6	938425		1	.Tube	
7	240582		1	.Bushing	
8	240622		1	Oil deflector	
9	193662		2	Deflector sealing	
10	938431		2	Plug	
11	938448		2	.O-ring	
12	938432		1	Plug	
13	938449		1	.O-ring	
14	938422		1	Rear cover	
15	938431		1	.Plug	
16	938448		1	..O-ring	
17	938381		2	Pin	
18	240563		6	Screw	
19	938353		9	Screw	
20	938436		15	Washer	
21	193659		3	O-ring	
22	193664		2	O-ring	
23	938428		1	Gasket	
24	938357		2	Magnetic drain plug	
25	938367		1	Dipstick	
26	240645		1	Guide tube	
27	938424		1	Bearing cap	
28	938431		1	.Plug	
29	938448		1	..O-ring	
30	938377		1	Plug	
31	938380		1	O-ring	
32	938376		1	Screw	
33				Not used on this model	

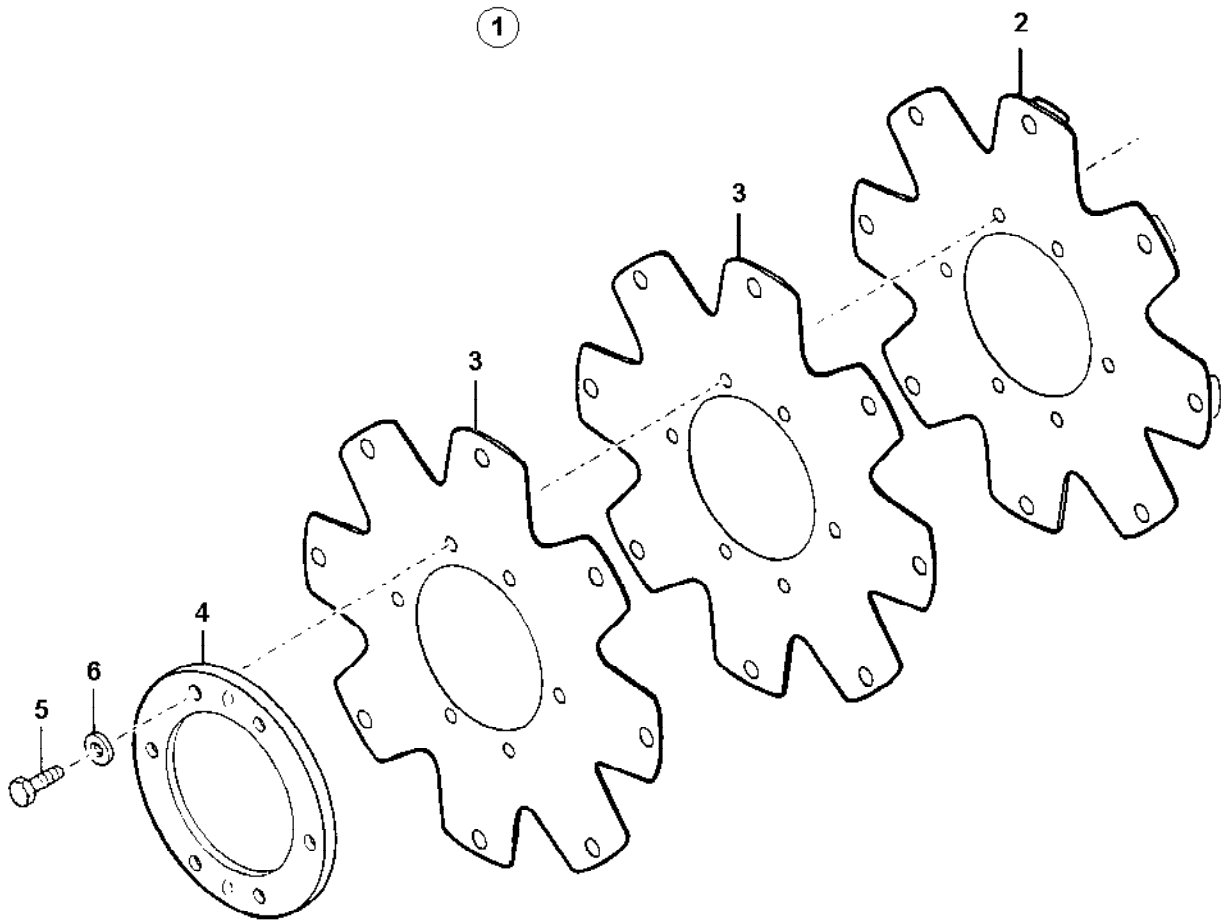


## Turbine shaft

Ref. No.	Part No.	Rem.	Qty	Description	Code
1	938427		1	Hub	
2	240688		1	.Retaining ring	
3	938403		1	Ball bearing	
4	240615		1	Snap ring	
5	240616		1	Washer	
6	240595		1	Retaining ring	
7	938416		1	Piston ring	
8	938417		1	Support	
9	938366		6	Screw	
10	938372		1	Piston ring	
11	938365		1	Oil deflector	
12	938401		1	.Seal	
13	938364		1	Seal ring	
14	938369		1	Retaining ring	

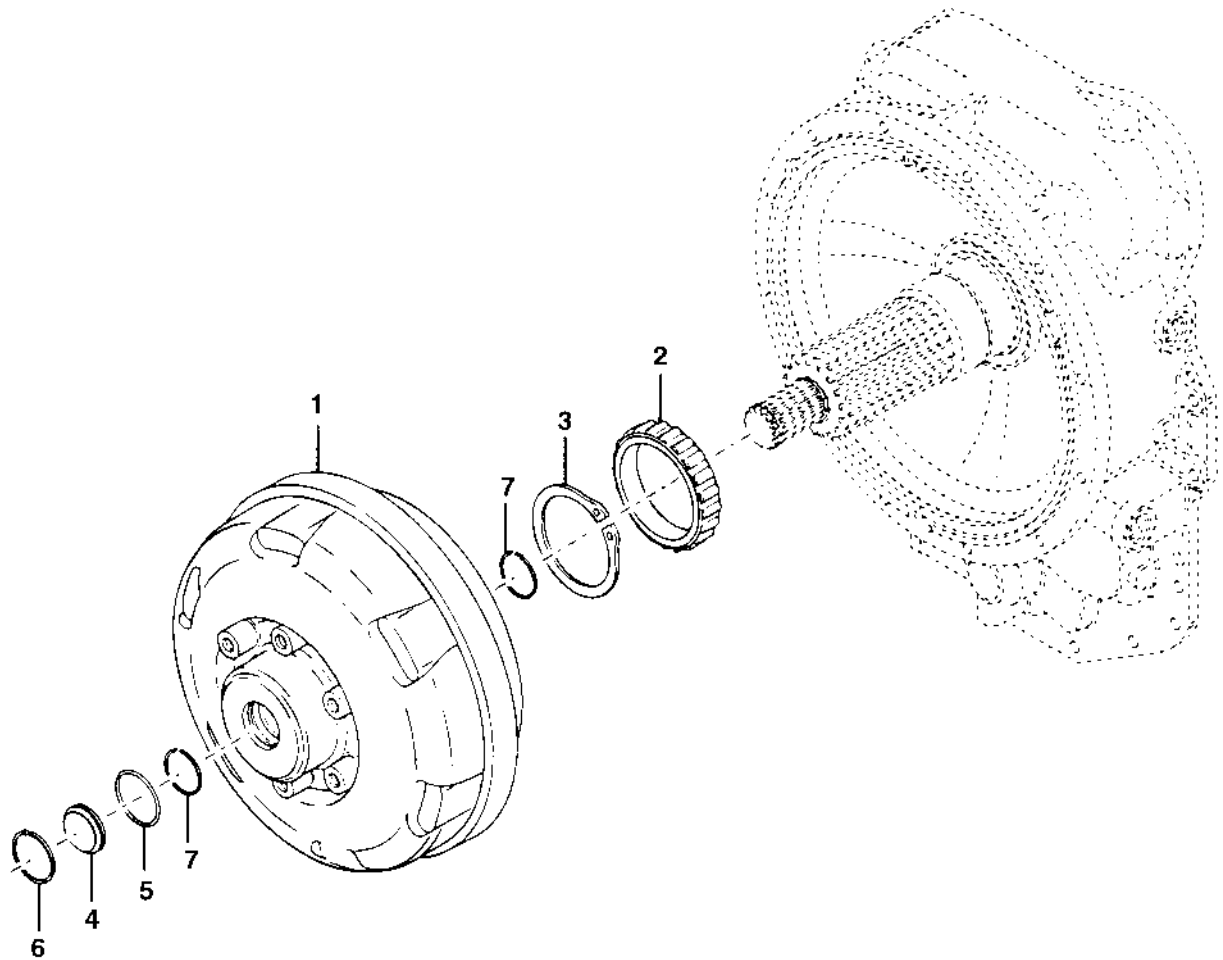
Drive plate

17297



## Drive plate

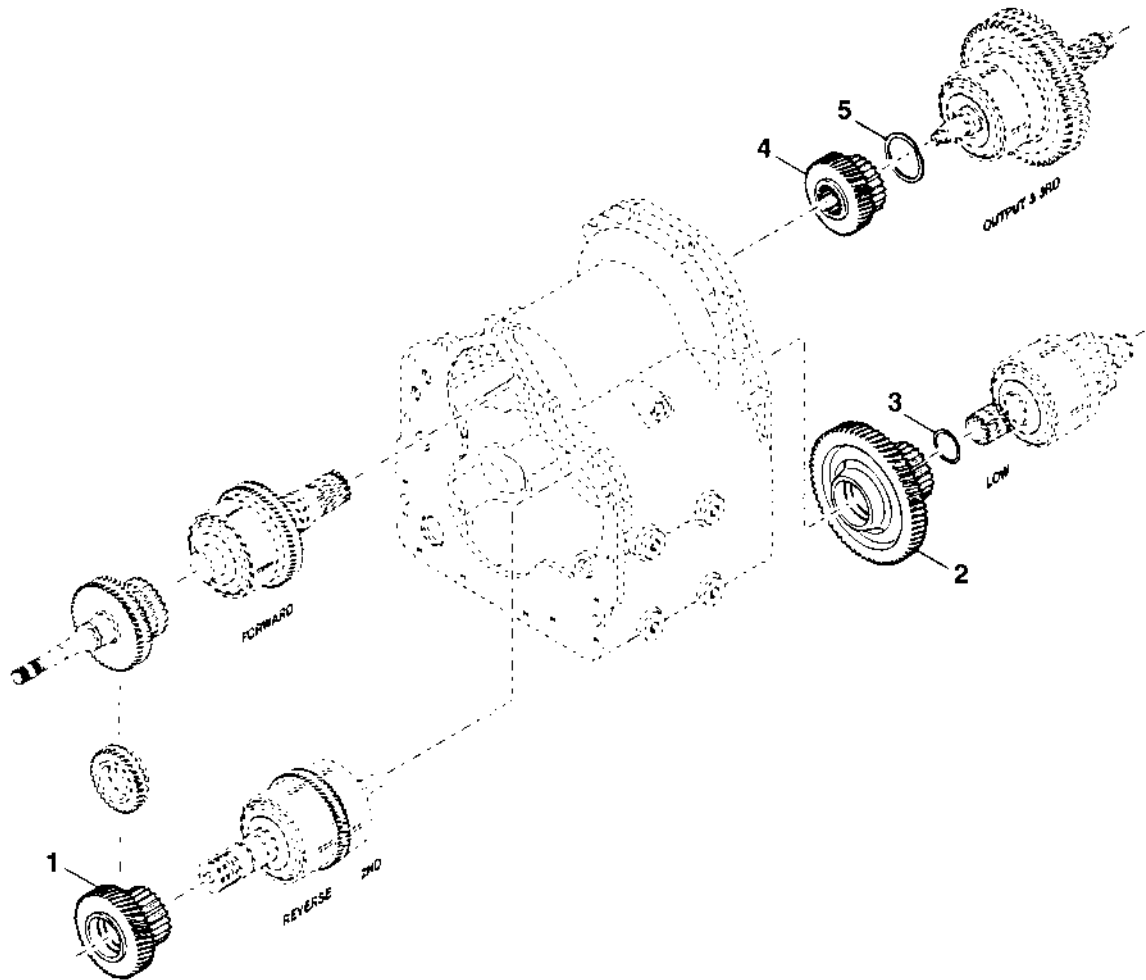
Ref. No.	Part No.	Rem.	Qty	Description	Code
1	938447		1	Drive plate, cpl.	
2			1	.Not Sold Separately	
3			2	.Not Sold Separately	
4	938404		1	.Support ring	
5	938433		6	.Screw	
6	938444		6	.Washer	





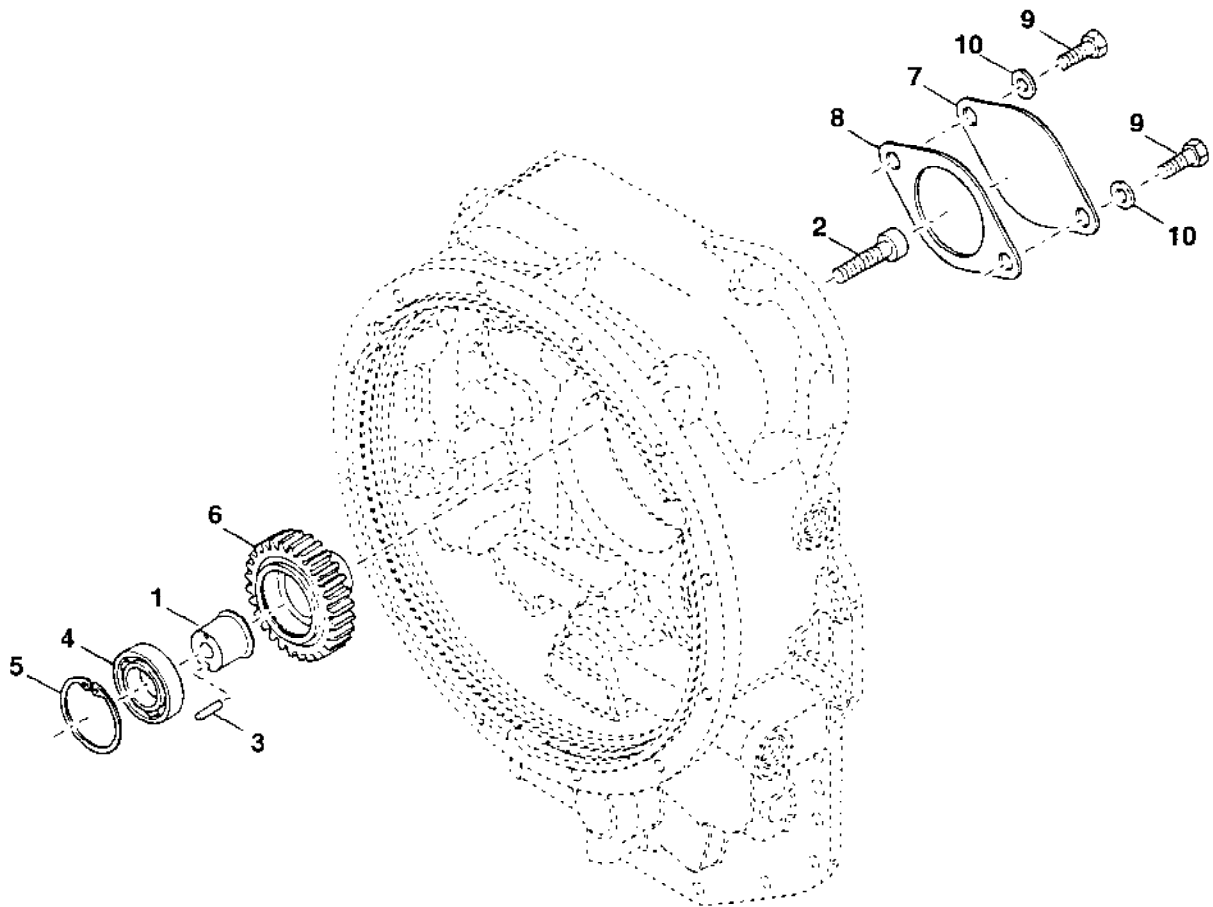
## Torque converter

Ref. No.	Part No.	Rem.	Qty	Description	Code
1	938405		1	Torque converter	
2	240666		1	Bearing	
3	938439		1	Snap ring	
4	240584		1	Plug	
5	193677		1	O-ring	
6	240574		1	Retaining ring	
7	938406		2	Retaining ring	



## Gear

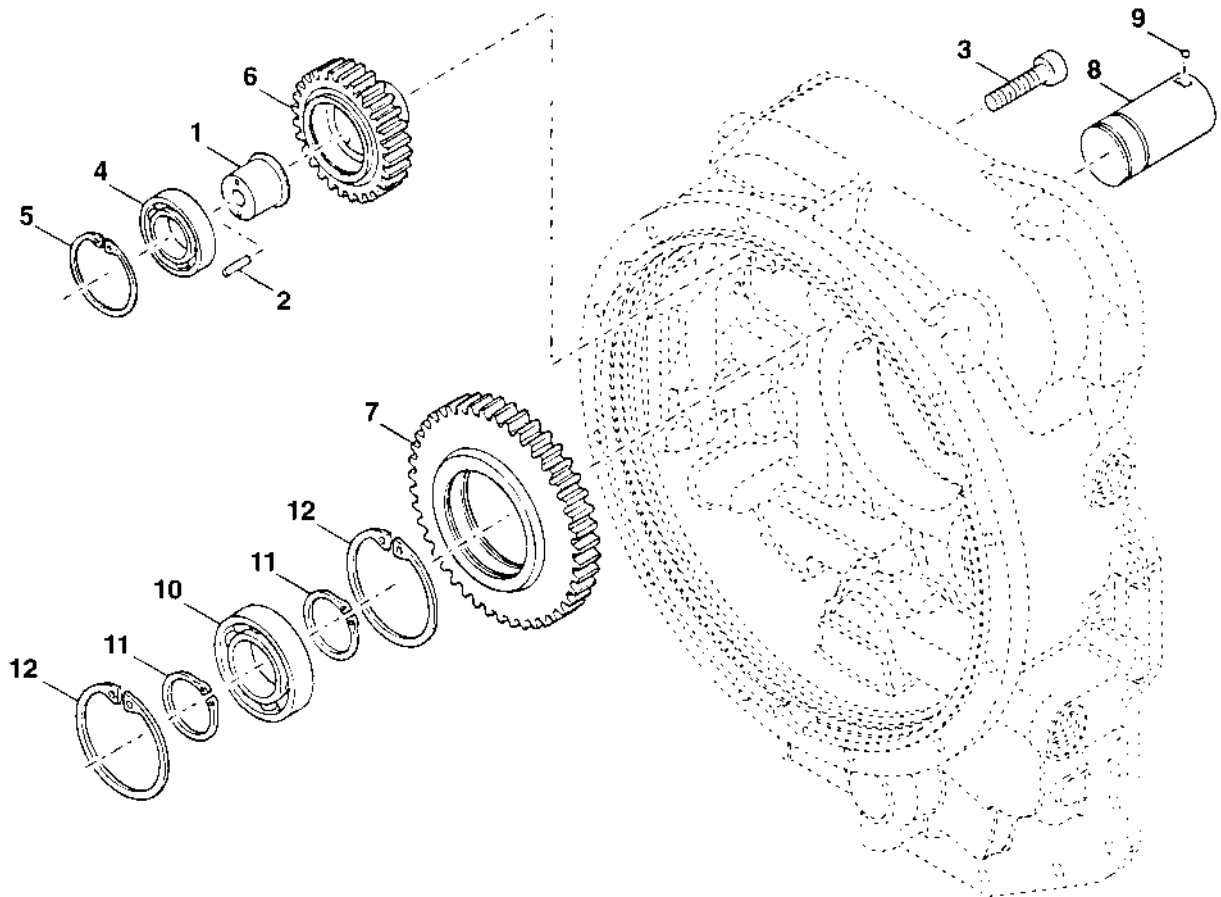
Ref. No.	Part No.	Rem.	Qty	Description	Code
1	938407		1	Gear	
2	938378		1	Gear	
3				Not used on this model	
4	240690		1	Gear	
5	240688		1	.Retaining ring	



Ref. No.	Part No.	Rem.	Qty	Description	Code
1	938408		1	Bearing support	
2	938445		1	Screw	
3	938409		1	Pin	
4	938358		1	Ball bearing	
5	240586		1	Retaining ring	
6	938410		1	Gear	
7	938375		1	Cover	
8	938419		1	Gasket	
9	938356		2	Screw	
10	938437		2	Washer	

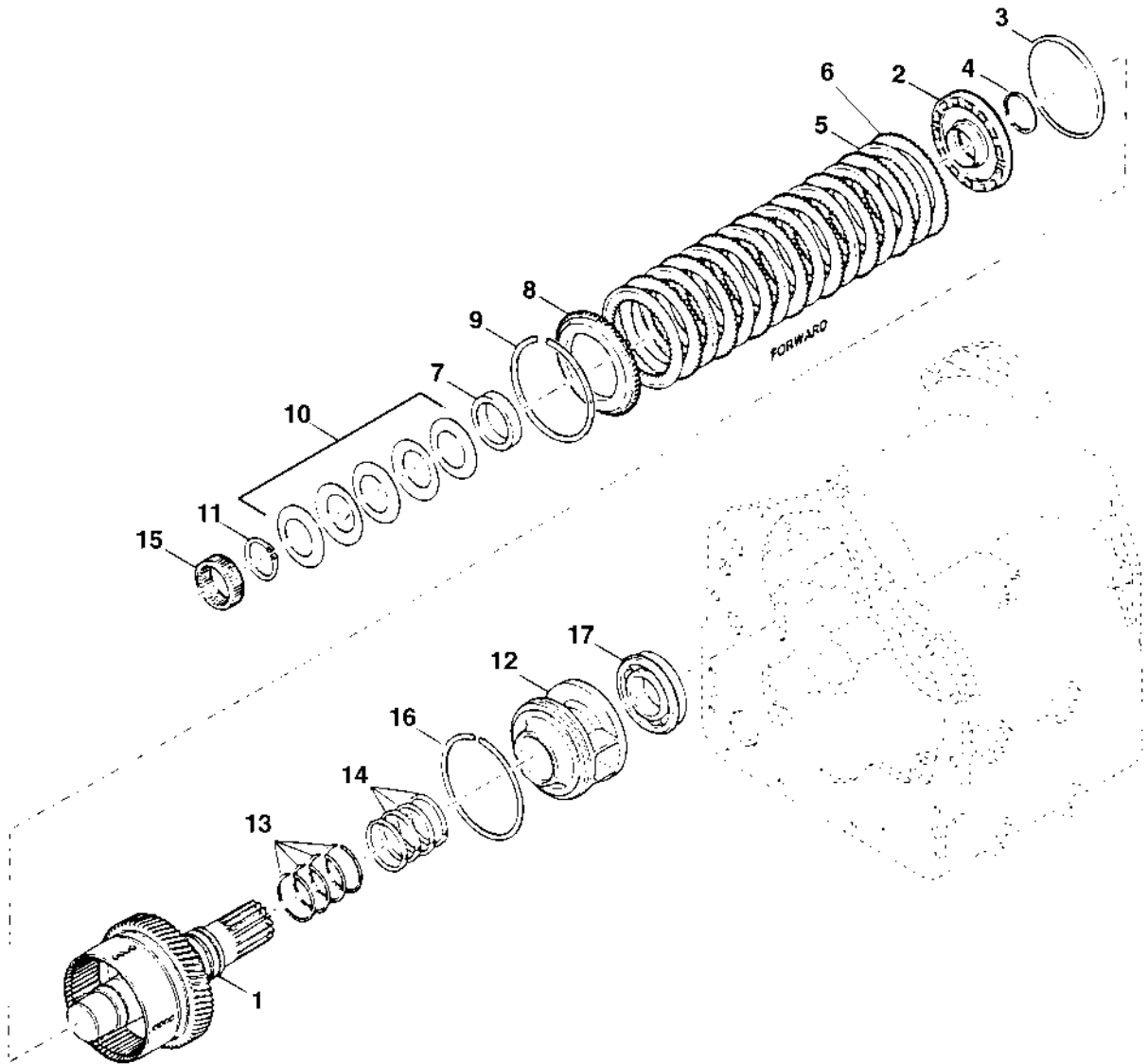
Pump drive

17301



## Pump drive

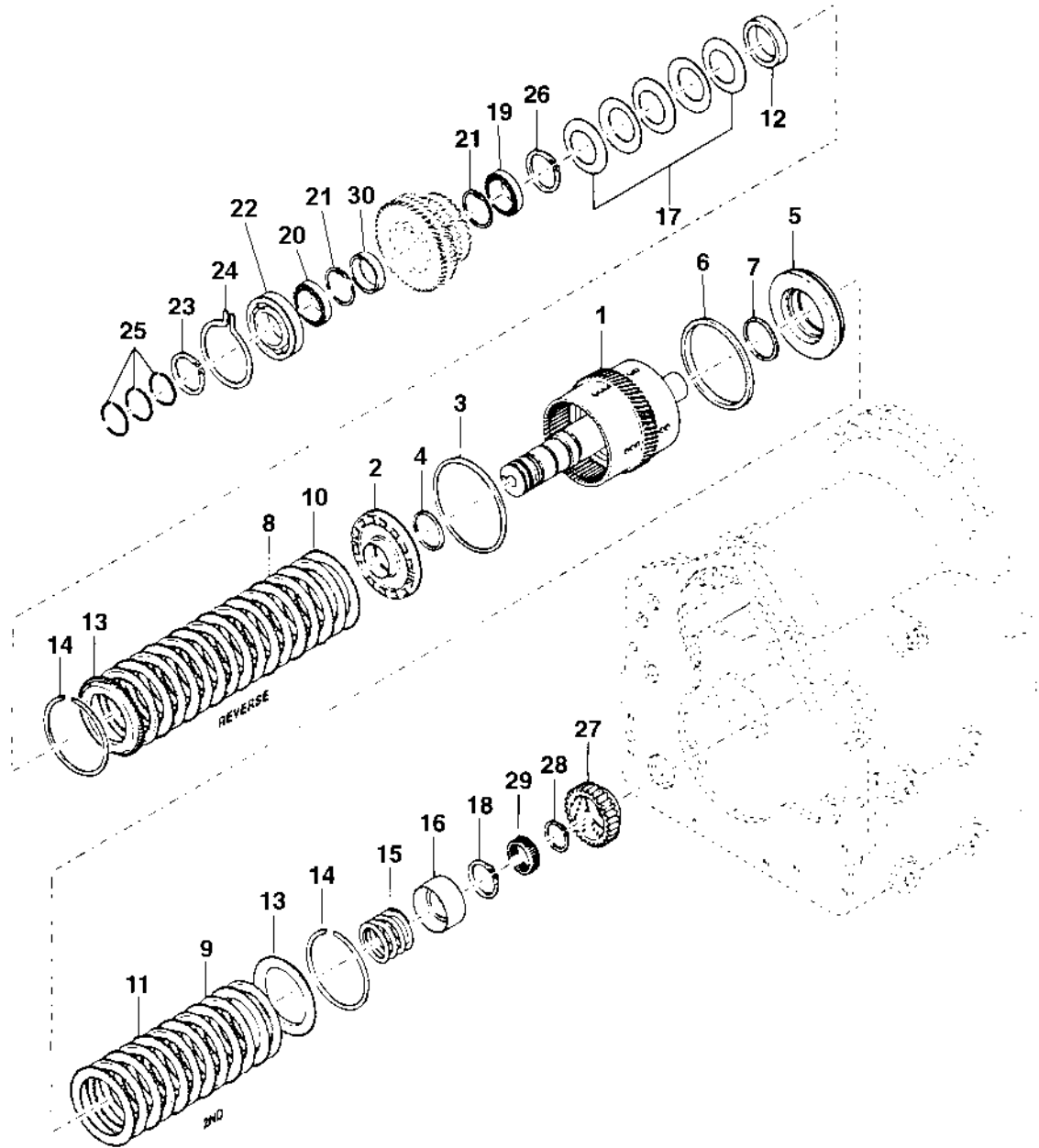
Ref. No.	Part No.	Rem.	Qty	Description	Code
1	938408		1	Bearing support	
2	938409		1	Pin	
3	938445		2	Screw	
4	938358		2	Ball bearing	
5	240586		1	Retaining ring	
6	938411		1	Gear	
7	938412		1	Gear	
8	240662		1	Shaft	
9	193680		1	Ball	
10	938360		1	Ball bearing	
11	240629		2	Locating ring	
12	240588		2	Retaining ring	





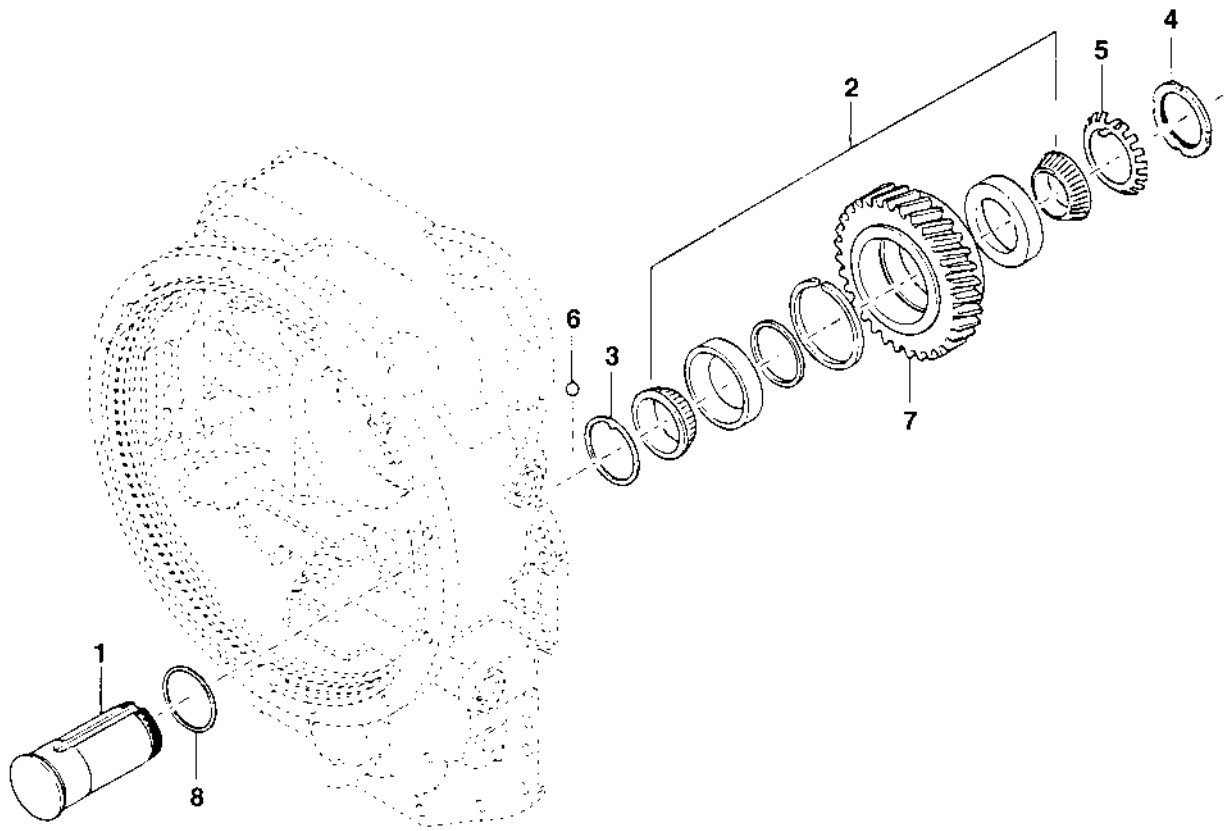
## Forward shaft

Ref. No.	Part No.	Rem.	Qty	Description	Code
1	938429		1	Disc carrier	
2	938382		1	Clutch piston	
3	193686		1	.Seal ring, outer	
4	193687		1	.Seal ring, inner	
5	240650		8	Inner disc	
6	240600		8	Outer disc	
7	240651		1	Spacer	
8	240649		1	Support disc	
9	240601		1	Snap ring	
10	193685		1	Disc spring	
11	240655		1	Snap ring	
12	240691		1	Bushing	
13	938362		4	Piston ring expander	
14	938368		4	Piston ring	
15	240636		1	Needle bearing	
16	240637		1	Retaining ring	
17	240695		1	Bearing	



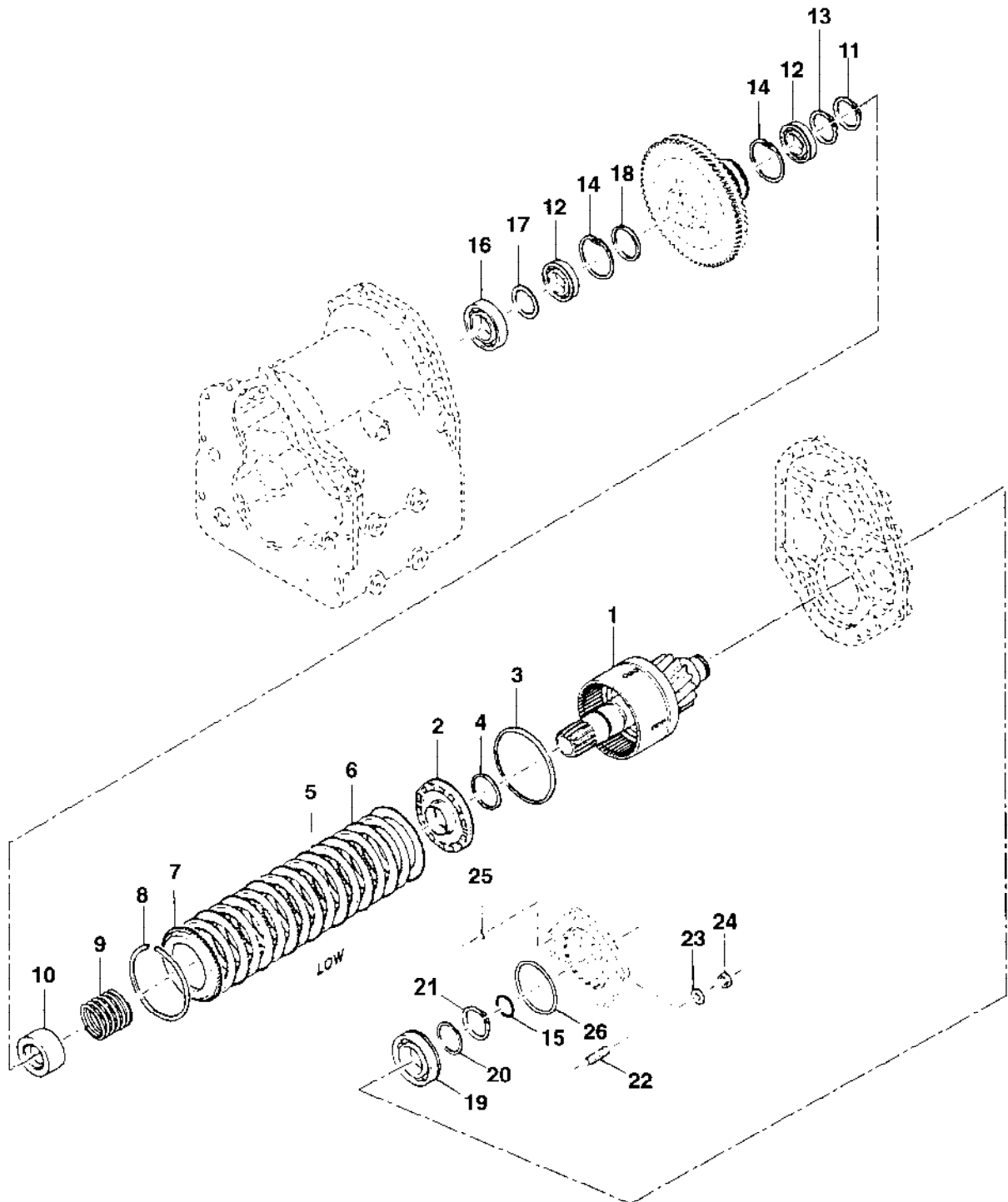
## Reverse and 2nd shaft

Ref. No.	Part No.	Rem.	Qty	Description	Code
1	938426		1	Disc carrier	
2	938382		1	Clutch piston	
3	193686		1	.Seal ring, outer	
4	193687		1	.Seal ring, inner	
5	240642		1	Piston	
6	193686		1	.Seal ring, outer	
7	193687		1	.Seal ring, inner	
8	240650		8	Inner disc	
9	240650		6	Inner disc	
10	240600		8	Outer disc	
11	240600		6	Outer disc	
12	240651		1	Spacer	
13	240649		2	Support disc	
14	240601		2	Snap ring	
15	240639		1	Spring	
16	240638		1	Spring stop	
17	193685		1	Disc spring	
18	240626		1	Snap ring	
19	425738967		1	Bearing	
20	425738932		1	Bearing	
21	240602		2	Retaining ring	
22	240585		1	Bearing	
23	193684		1	Retaining ring	
24	240593		1	Snap ring	
25	193683		3	Piston ring	
26	240655		1	Snap ring	
27	938379		1	Hub	
28	240625		1	Retaining ring	
29	240596		1	Bearing	
30	938414		1	Spacer	



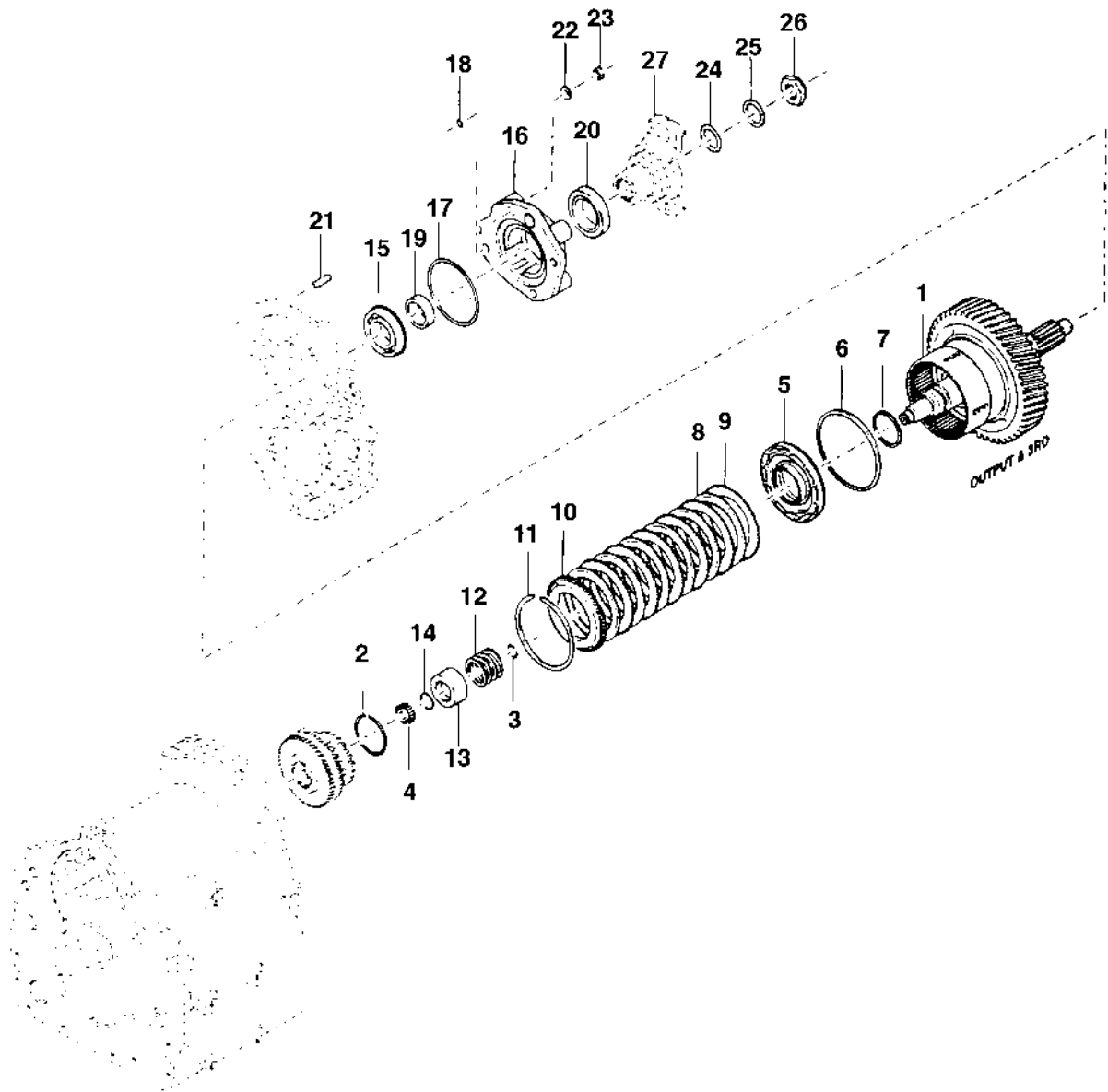
## Reverse idler

Ref. No.	Part No.	Rem.	Qty	Description	Code
1	938418		1	Shaft	
2	193709		1	Bearing	
3	938413		1	Washer	
4	938371		1	Retaining nut	
5	938373		1	Retaining washer	
6	240567		1	Ball	
7	938415		1	Gear	
8	938446		1	O-ring	



## Low speed shaft

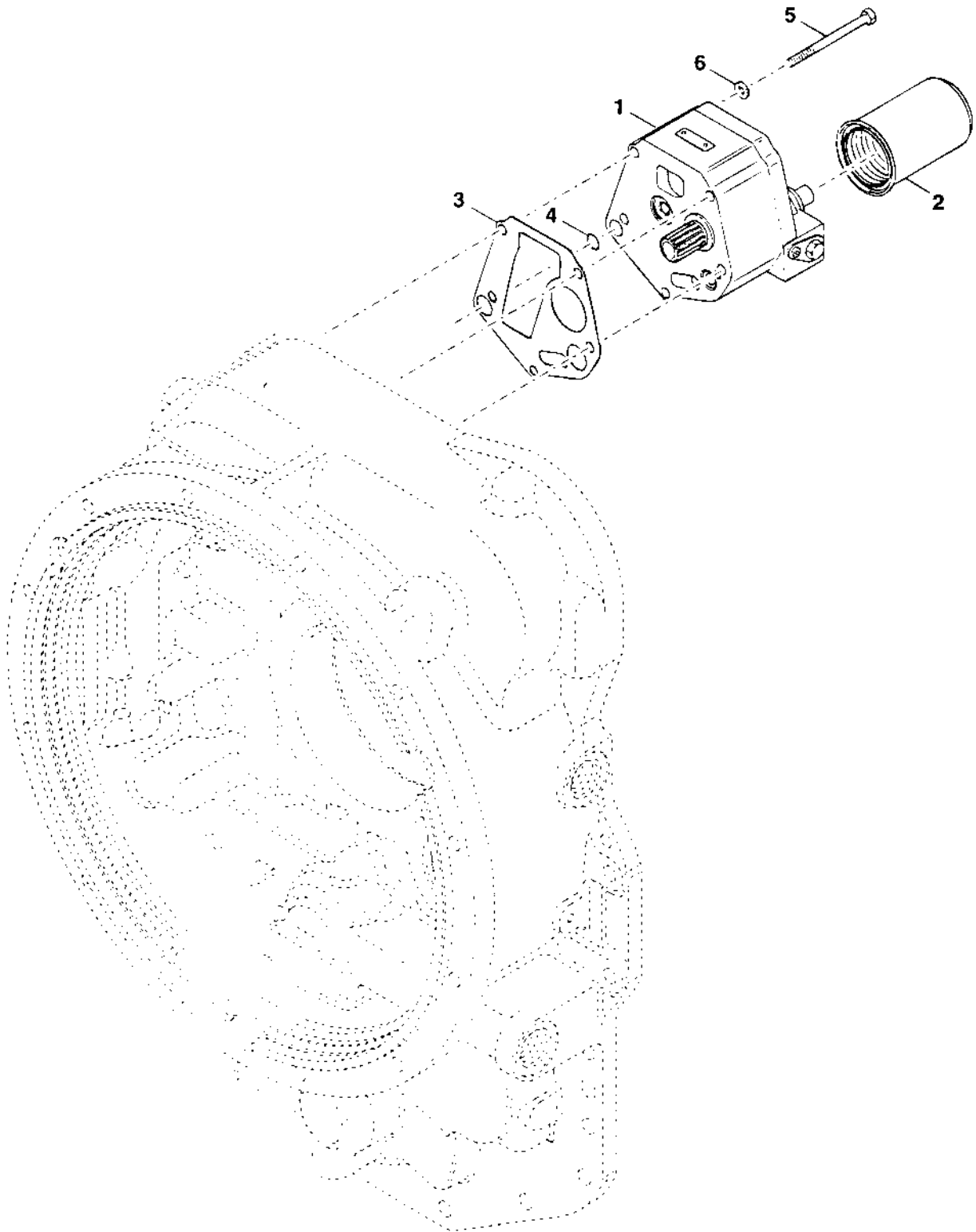
Ref. No.	Part No.	Rem.	Qty	Description	Code
1	240641		1	Disc carrier	
2	938382		1	Clutch piston	
3	193686		1	.Seal ring, outer	
4	193687		1	.Seal ring, inner	
5	240624		8	Inner disc	
6	240600		8	Outer disc	
7	240649		1	Support disc	
8	240601		1	Snap ring	
9	240639		1	Spring	
10	240638		1	Spring stop	
11	240626		1	Snap ring	
12	240592		2	Bearing	
13	240625		1	Retaining ring	
14	240588		2	Retaining ring	
15	193699		1	Piston ring	
16	240591		1	Bearing	
17	240604		1	Spacer	
18	240621		1	Spacer	
19	240681		1	Bearing	
20	240616		1	Washer	
21	240625		1	Retaining ring	
22	193701		4	Stud	
23	938436		4	Washer	
24	193702		4	Nut	
25	193703		1	O-ring	
26	193700		1	O-ring	





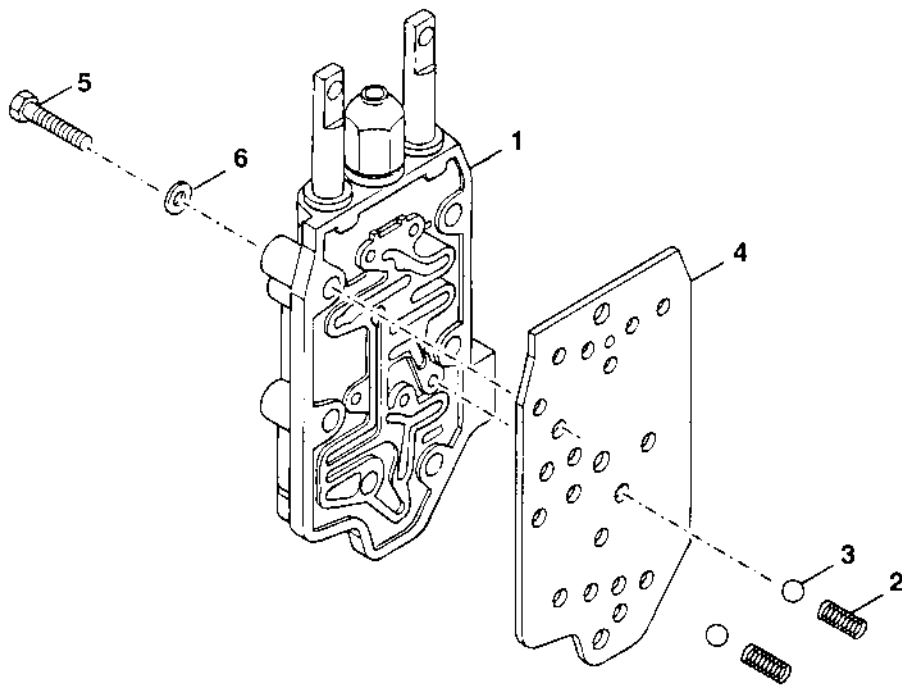
## Output and 3rd shaft

Ref. No.	Part No.	Rem.	Qty	Description	Code
1	240643		1	Disc carrier	
2	240659		1	Retainer ring	
3	193699		1	Piston ring	
4	240603		1	Needle bearing	
5	240642		1	Piston	
6	193686		1	.Seal ring, outer	
7	193687		1	.Seal ring, inner	
8	240650		6	Inner disc	
9	240600		6	Outer disc	
10	240649		1	Support disc	
11	240601		1	Snap ring	
12	240639		1	Spring	
13	240638		1	Spring stop	
14	240626		1	Snap ring	
15	240590		1	Bearing	
16	938361		1	Bearing cap	
17	938442		1	O-ring	
18	938440		1	O-ring	
19	240630		1	Spacer	
20	193710		1	Oil seal	
21	938363		4	Stud	
22	938438		4	Washer	
23	938443		4	Nut	
24	938441		1	O-ring	
25	240570		1	Washer	
26	240581		1	Nut	
27	938471		1	Flange	



## Charging pump and filter

Ref. No.	Part No.	Rem.	Qty	Description	Code
1	938430		1	Charging pump	
2	249993	A	1	Oil filter	A
3	193714		1	Gasket	
4	193664		1	O-ring	
5	240565		3	Screw	
	240566		2	Screw	
6	938436		5	Washer	
A)	Spin on type				

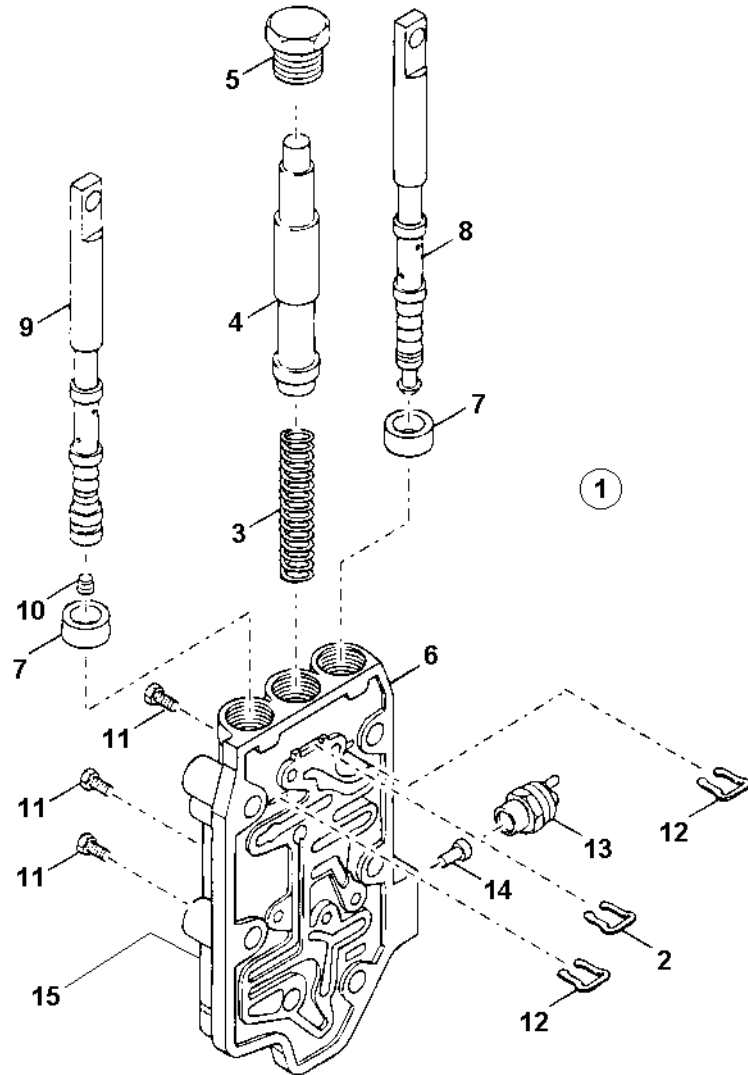


## Control valve

Ref. No.	Part No.	Rem.	Qty	Description	Code
1	240647		1	Control valve assembly ( Page 126 )	
2	240632		2	Spring	
3	240568		2	Ball	
4	193716		1	Gasket	
5	240562		9	Screw	
6	938435		9	Washer	

240647 Control valve assembly

17309-1

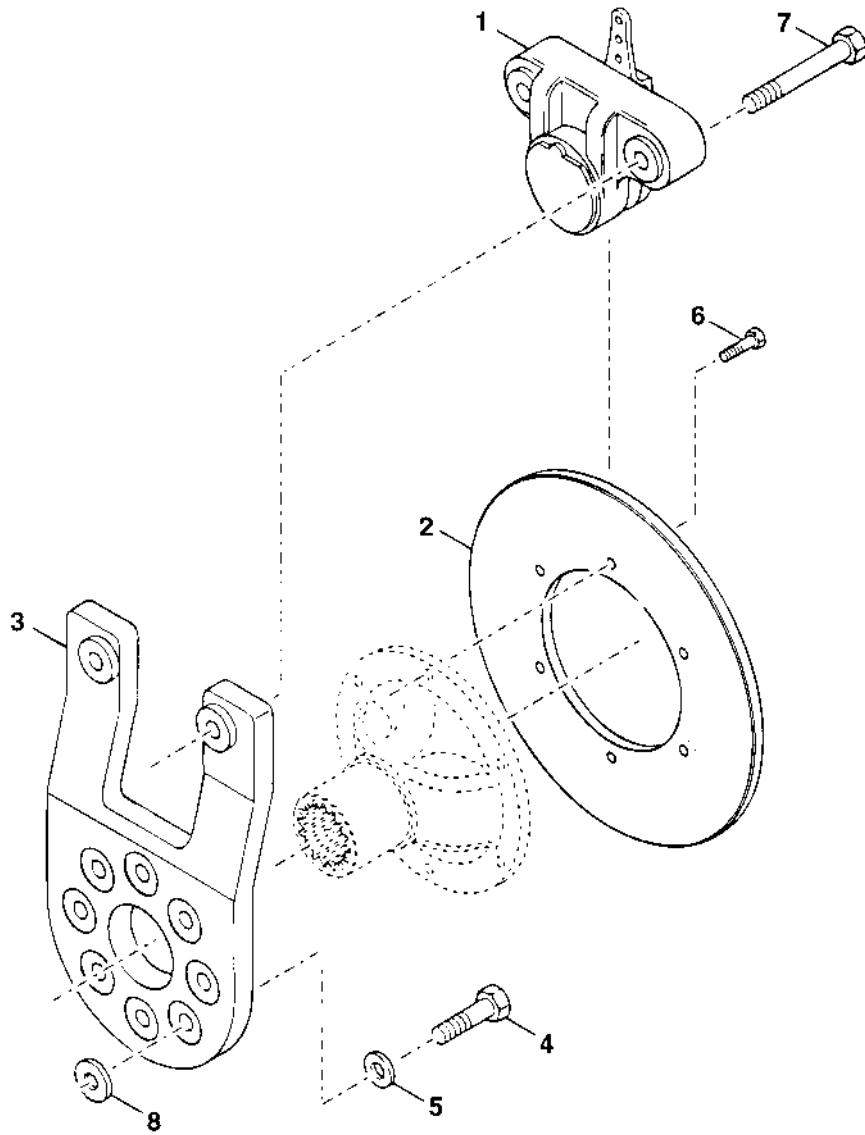


## 240647 Control valve assembly

Ref. No.	Part No.	Rem.	Qty	Description	Code
1			1	Control valve, cpl	
2	240609		1	.Clamp	
3	240610		1	.Valve spring	
4	240611		1	.Control piston	
5	240685		1	.Back stop	
6	240648		1	.Control valve, assy	
7	193719		1	..Oil seal	
8	240608		1	..Control piston	
9	240607		1	..Control piston	
10	240674		1	...Plug	
11	240720		4	..Plug	
12	240609		2	..Clamp	
13	240598	A	1	..Switch	
14	240599		1	..Pin	
15	193045	B	1	Sensor	

A) Neutral start switch

B) Reverse sensor, always sold separately, (not illustrated)



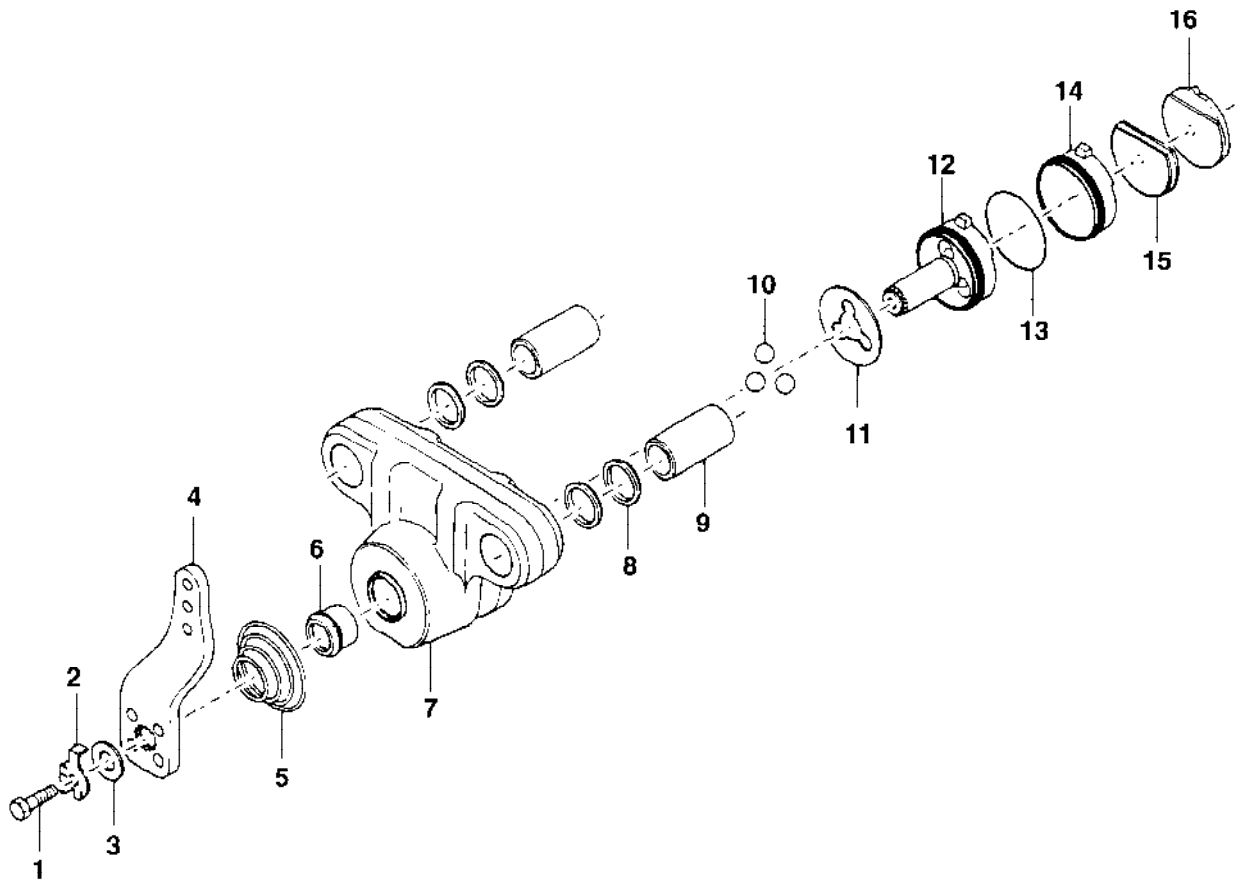


## Disc brake

Ref. No.	Part No.	Rem.	Qty	Description	Code
1	384385		1	Caliper disc brake ( Page 168 )	
2	938108		1	Disc	
3	384386		1	Bracket	
4	938354		4	Screw	
5	938374		4	Washer	
6	938355		6	Screw	
7	791237		2	Screw 5/8-11UNCx76	
8				Not used on this model	

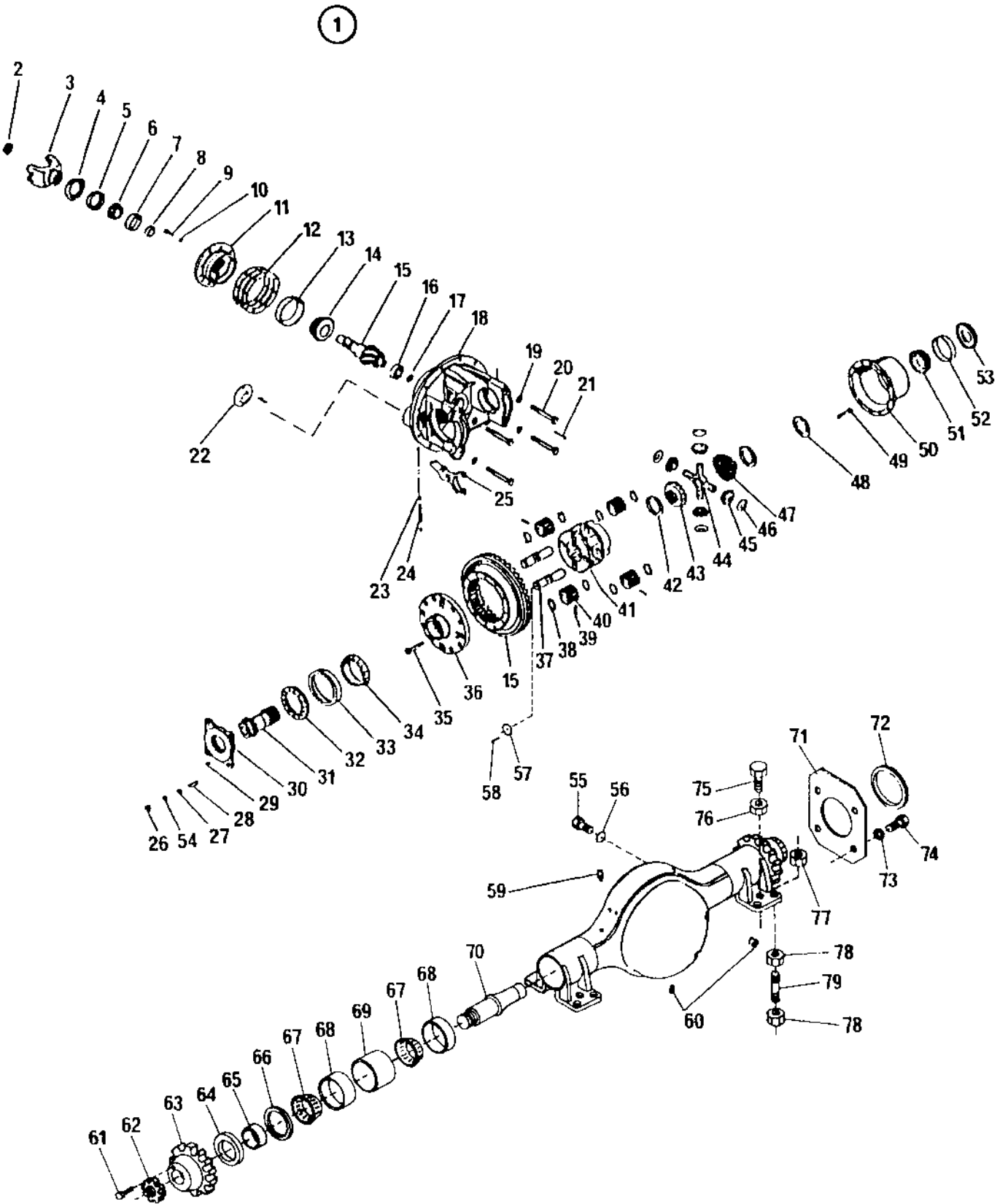
384385 Caliper disc brake

17312

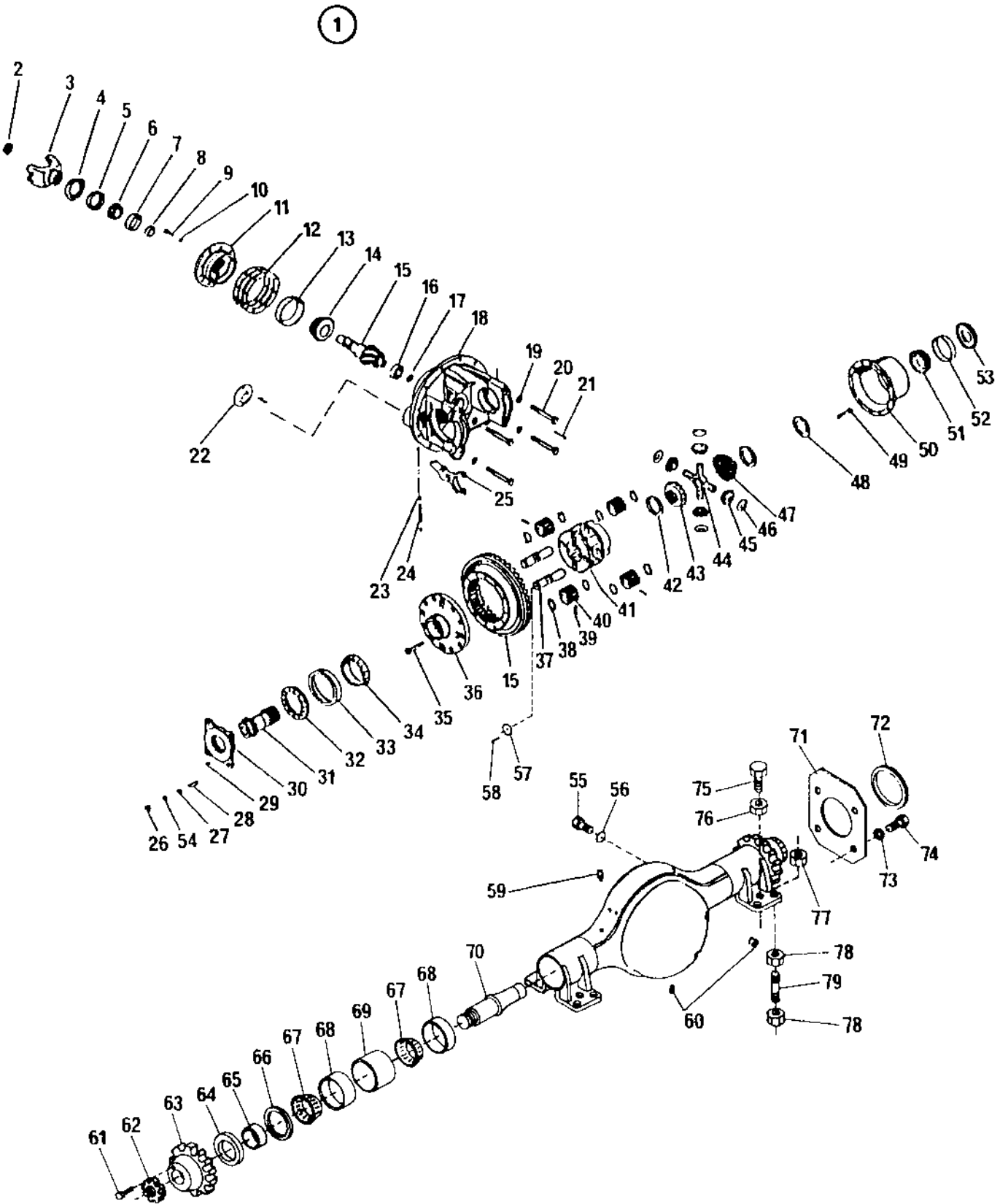


**384385 Caliper disc brake**

<b>Ref. No.</b>	<b>Part No.</b>	<b>Rem.</b>	<b>Qty</b>	<b>Description</b>	<b>Code</b>
1	938385		1	Screw	
2	938386		1	Clip	
3	938387		1	Washer	
4	938388		1	Lever	
5	938389		1	Spring	
6	938390		1	Shaft seal	
7			1	Not Sold Separately	
8	938392		4	O-ring	
9	938393		2	Bushing	
10	938394		3	Ball	
11	938395		1	Ball spacer	
12			1	Not Sold Separately	
13	938397		1	Plain bearing	
14	938398		1	Rotor seal	
15	938399		1	Pad, lever side	
16	938400		1	Pad, carrier side	

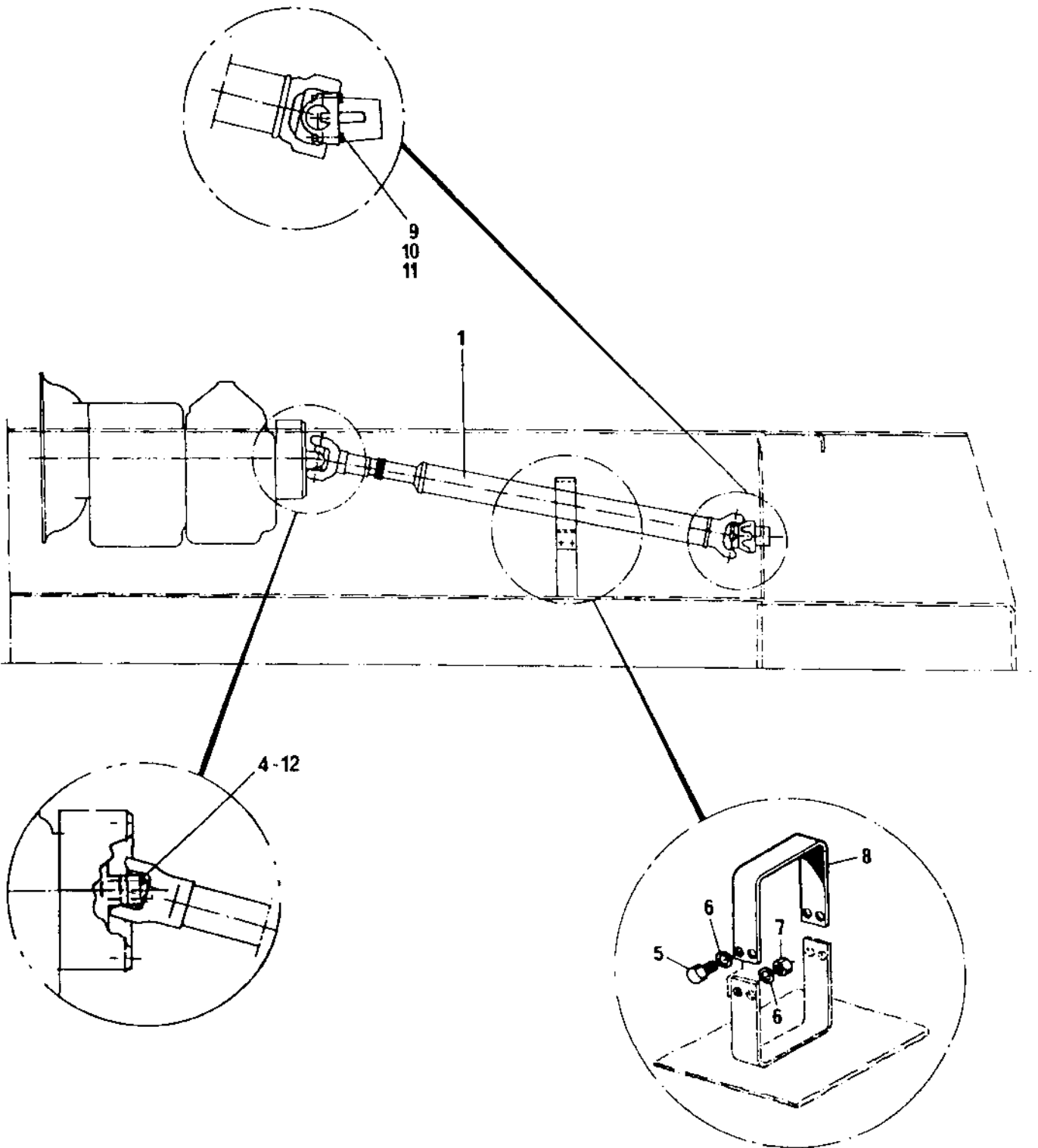


Ref. No.	Part No.	Rem.	Qty	Description	Code
1	195150		1	Differential axle	
2	195692		1	.Nut	
3	195722		1	.Fork link	
4	195723		1	.Deflector	
5	195720		1	.Seal ring	
6	923631		1	.Bearing	D
7	268816		1	.Bearing cup	
8	923633		1	.Shim	
9	242480		8	.Screw	
10	195724		8	.Washer	
11	195719		1	.Pinion housing	
12	416278		2	.Shim 005	
	416279		1	.Shim 010	
	416280		3	.Shim 003	
13	416361		1	.Bearing cup	
14	416363		1	.Bearing	D
15	195691		1	.Drive pinion and gear	
16	195721		1	.Bearing	
17	416238		1	.Retaining ring	
18	195689		1	.Differential carrier	
19	416250		4	.Washer	
20	195690		4	.Screw	
21	195708		1	.Counter pin	
22	195725		1	.Diaphragm	
23	195718		2	.Filler cap	
24	195717		1	.Pin	
25	195716		1	.Fork link	
26	195715		4	.Nut	
27	195713		4	.Washer	
28	195712		4	.Stud	
29	195709		1	.Expanding pin	
30	195711		1	.Lock plate	
31	195710		1	.Gear	
32	195707		1	.Adjusting ring	
33	267587		1	.Bearing cup	
34	922539		1	.Bearing	D
35	195705		8	.Screw	
36	195704		1	.Left support	
37	195697		4	.Shaft	
38	195700		8	.Washer	
39	195702		4	.Expanding pin	
40	195701		4	.Planet pinion	
41	195693		1	.Differential carrier	
42	416243		2	.Washer	
43	195695		1	.Differential side gear	
44	416296		1	.Cross	D
45	242500		4	.Differential pinion	
46	416245		4	.Washer	
47	195694		11	.Differential side gear	
48	416243		1	.Washer	
49	195696		12	.Screw	
50	195703		1	.Right support	
51	242493		1	.Bearing cone	
52	242492		1	.Bearing cup	
53	195706		1	.Adjusting ring	
54	195714		4	.Washer	
55	922524		8	.Screw	
	192655		4	.Screw	
56	813953		12	.Washer	



Ref. No.	Part No.	Rem.	Qty	Description	Code
57	195698		4	.Spacer	
58	195699		200	.Roller	
59	415280		1	.Breather	
60	195726		2	.Magnetic plug	
61	195729		2	.Lock screw	
62	195730		2	.Adjusting nut	
63	195731		2	.Gear	
64	195733		2	.Seal ring	
65	195372		2	.Floor	
66	195734		2	.Snap ring	
67	195735		4	.Bearing cone	
68	195736		4	.Bearing cup	
69	195737		2	.Spacer	
70	195739	C	1	.Axle drive shaft	
	195738	D	1	.Axle drive shaft	
71	195034		1	.Cover	
72	195740		1	.Sealing	
73	195741		8	.Washer 5/16"	
74	195742		4	.Screw	
75	503133		4	.Screw	
76	572007		4	.Nut	
77	586009		8	.Nut	
78	571007		16	.Nut	
79	252914		8	.Stud	

C) Left  
 D) Right



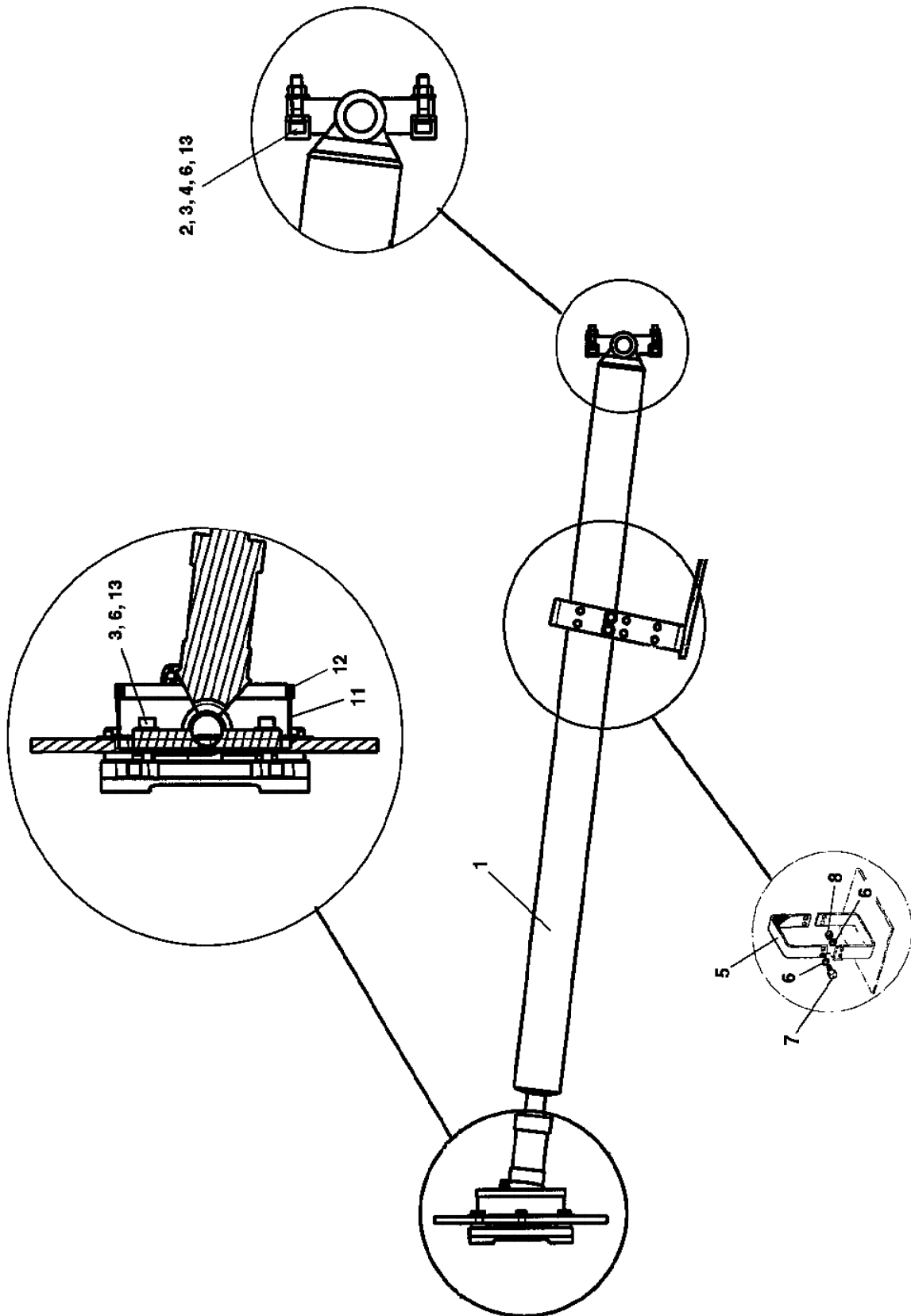


## Cardan shaft assembly up to SN 22620342

Ref. No.	Part No.	Rem.	Qty	Description	Code
1	195236		1	Cardan shaft	
4	503027		4	Screw UNF 3/8-24x45	
5	500028		4	Screw M10-1,5x25 8,8	
6	600008		8	Washer	
7	570006		4	Nut M10	
8	268154		1	Protection	
9	195233		4	Screw	
10	904358		4	Nut UNF	
11	195152		2	Clamp	
12	604006		8	Washer	

Cardan shaft assembly from SN 22620343

17497

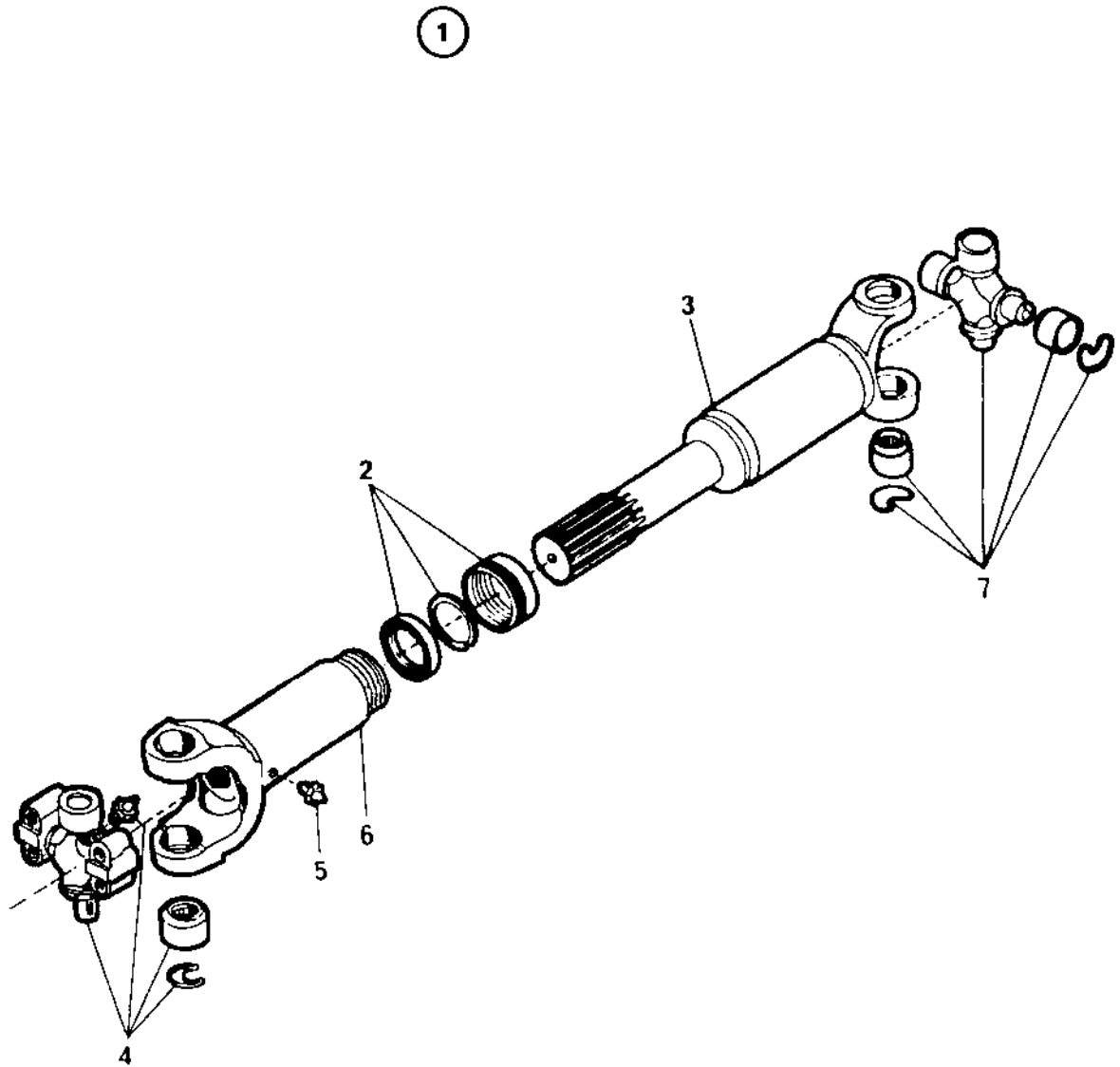


## Cardan shaft assembly from SN 22620343

Ref. No.	Part No.	Rem.	Qty	Description	Code
1	195236		1	Cardan shaft	
2	195152		2	Clamp	
3	510023		8	Screw UNF	
4	904358		4	Nut UNF	
5	268154		1	Protection	
6	904230		16	Washer 10,5x22x2	
7	500028		4	Screw M10-1,5x25 8,8	
8	570006		4	Nut M10	
11	384861		1	Splash guard	
12	202028	A	1	Edge trim	
13	902541	B		Lock fluid Loctite 243, 50 ml	

A) L=0,6 m

B) Quantity as required



Ref. No.	Part No.	Rem.	Qty	Description	Code
1	195236		1	Cardan shaft	
2	195314		1	.Seal kit	
3			1	.Tube shaft	
4	927988		1	.Universal joint cross	D
5	310028		1	.Grease nipple	D
6	195315		1	.Slip yoke	
7	195749		1	.Universal joint cross	D

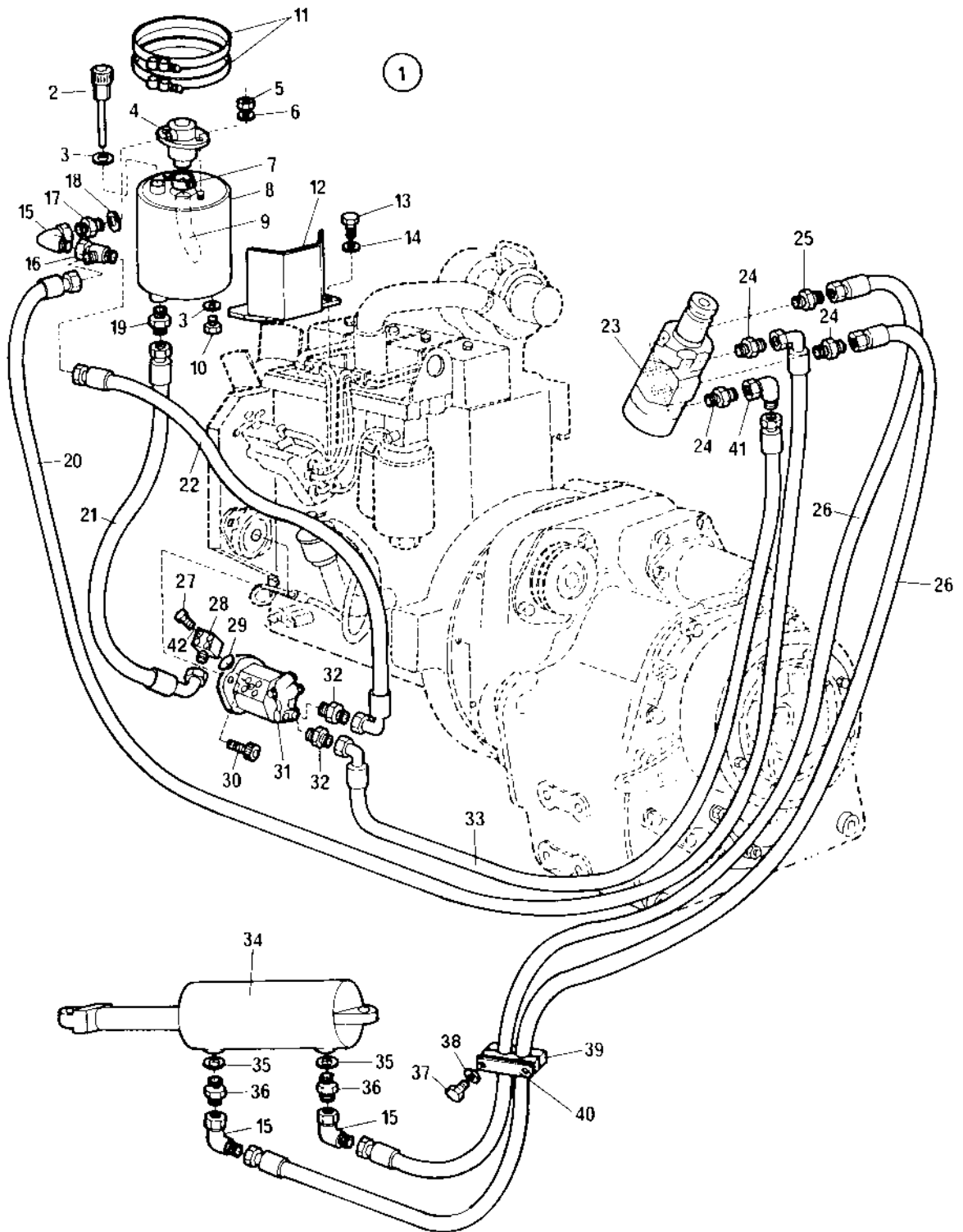


## Hydraulic system

Ref. No.	Part No.	Rem.	Qty	Description	Code
10				Steering system up to SN 22620322 ( Page 182 )	
15				Steering system from SN 22620323 ( Page 190 )	

Steering system up to SN 22620322

16255

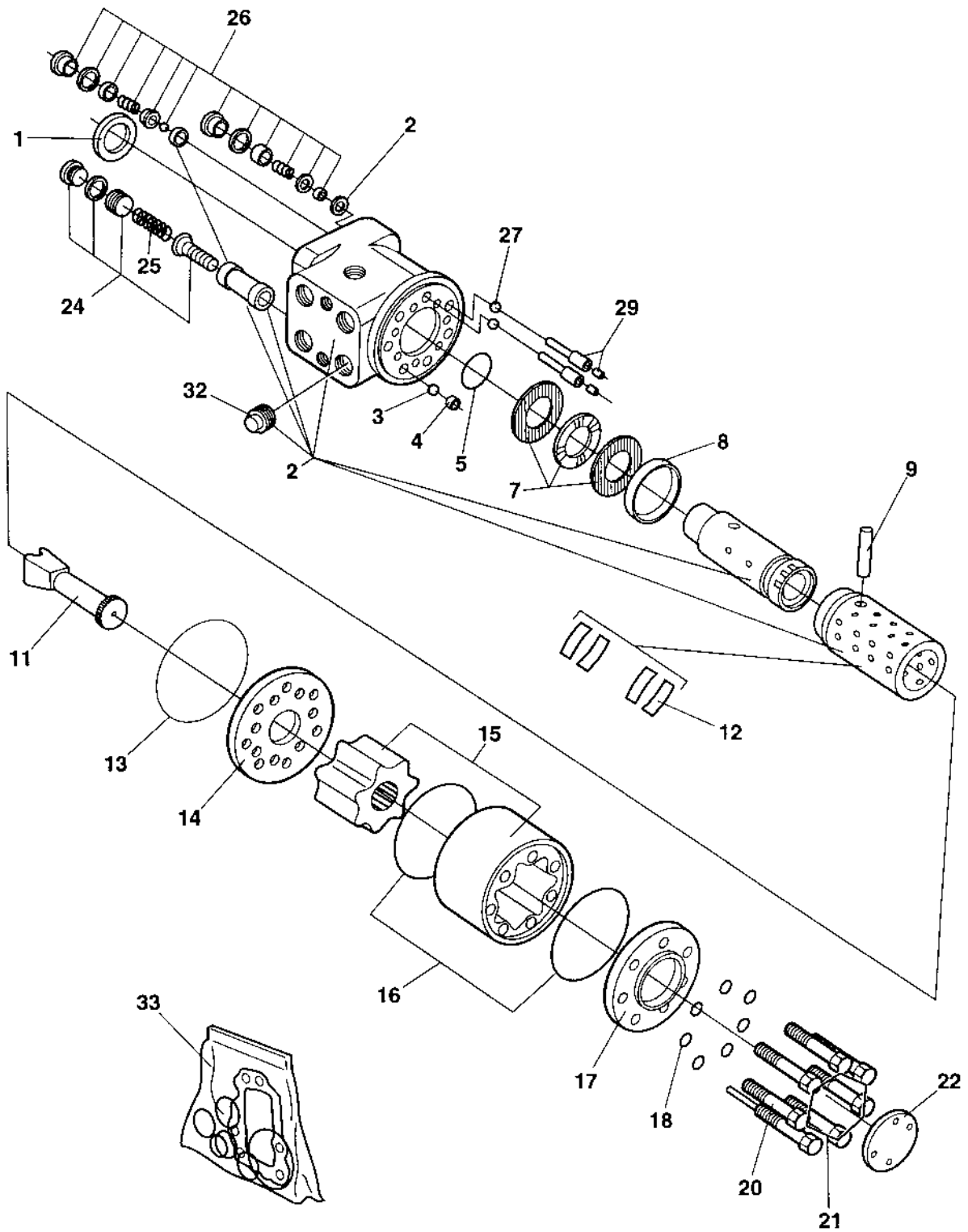




Steering system up to SN 22620322

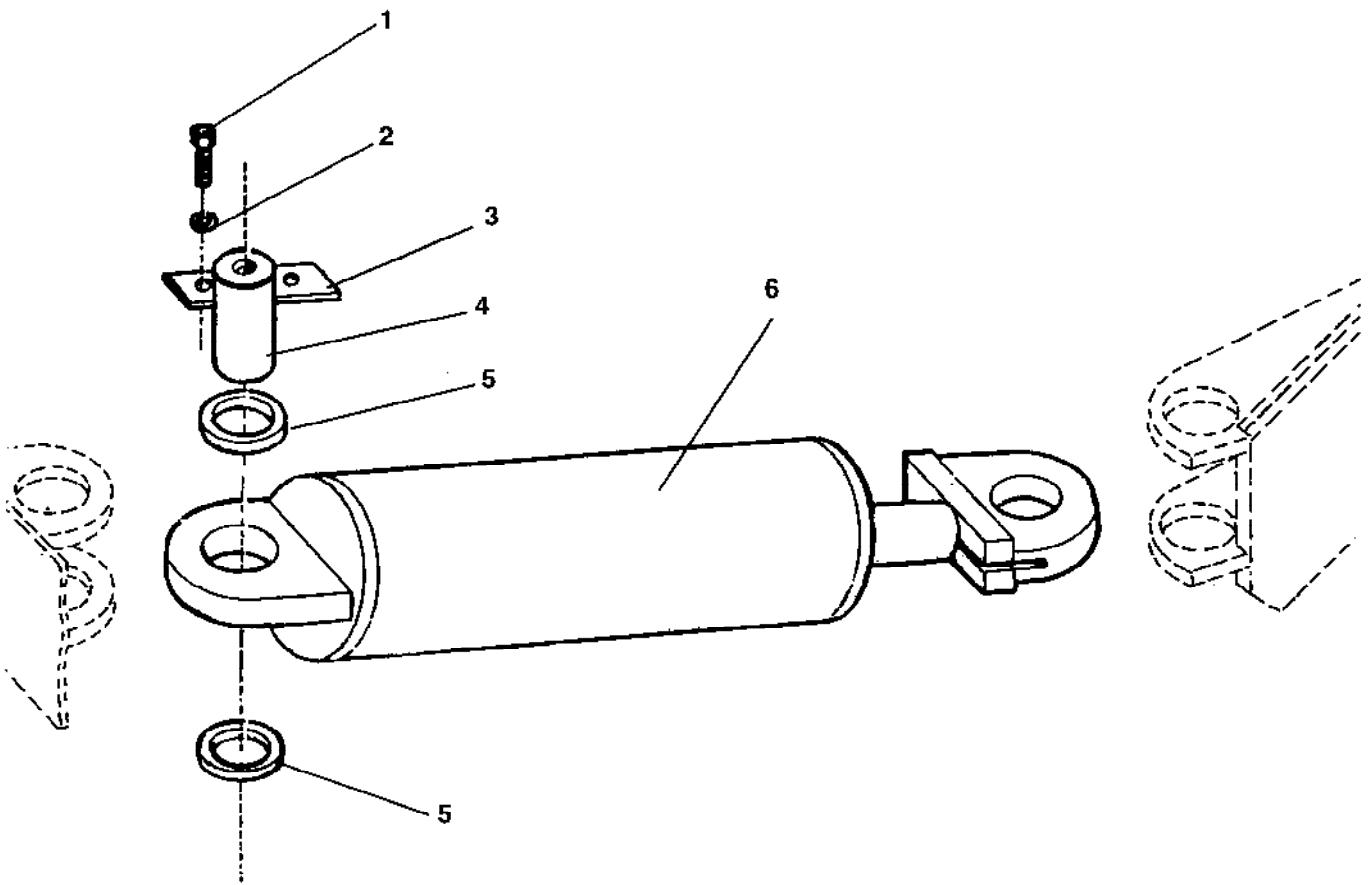
Ref. No.	Part No.	Rem.	Qty	Description	Code
1	241846		1	Hydraulic oil tank, CPL	
2	499373		1	.Air cleaner	
3	330331		2	.Washer 18,2x23,9x1,5	
4	912081		1	.Filter, cpl	
	499474		1	..Filter element	
5	570005		2	.Nut M8	
6	604005		2	.Spring washer	
7	313006		1	.Hose clamp	
8	241848		1	.Hydraulic oil tank	
9	244034		1	.Hose	
10	232160		1	.Plug	
11	194339		2	Clamp	
12	194178		1	Support	
13	500029		3	Screw M10-1,5x30 8,8	
14	904230		3	Washer 10,5x22x2	
15	334197		2	Elbow 90	
16	334135		1	T-connector	
17	234941		1	Adapter	
18	330331		1	Washer 18,2x23,9x1,5	
19	334157		1	Straight connector	
20	482732		1	Hydraulic hose	
21	192188		1	Hydraulic hose	
22	242030		1	Hydraulic hose	
23	375455		1	Steering valve ( Page 184 )	D
24	334116		3	Straight o-ring connector	
25	334204	D,I	1	Reducer	
	334137	D,J	1	Adapter	
26	191787		2	Hydraulic hose	
27	500089	D,H	4	Screw M6x70	
	500088	F	4	Screw M6x40	
28	268851	D,E	1	Connection	
	904786	G	1	Flange adapter	
29	813457		1	O-ring	
30	508013		2	Screw	
31	191788		1	Steering pump If not available; use 376548	
32	334121		2	Straight connector	
33	242175		1	Hydraulic hose	
34			1	Steering cylinder ( Page 186 )	
35		A	2	Seal ring	
36	334116	B,C	2	Straight o-ring connector	
37	500189		2	Screw	
38	904228		4	Washer 6,4x12x1,5	
39	192223		1	Hose fixing	
40	241431		1	Plate	
41	334197		1	Elbow 90	
42	904228		4	Washer 6,4x12x1,5	

- A) Earlier seal ring 330397 and nipple 269207 are together replaced by adapter 334116
- B) With o-ring and backup ring
- C) Replaces earlier nipple 269207 and seal ring 330397
- D) Old version
- E) Replaced by 904786 together with screw 500088
- F) Together with flange adapter 904786
- G) Together with screw 500088
- H) Together with connection 268851
- I) Together with adapter 334137
- J) Together with reducer 334204



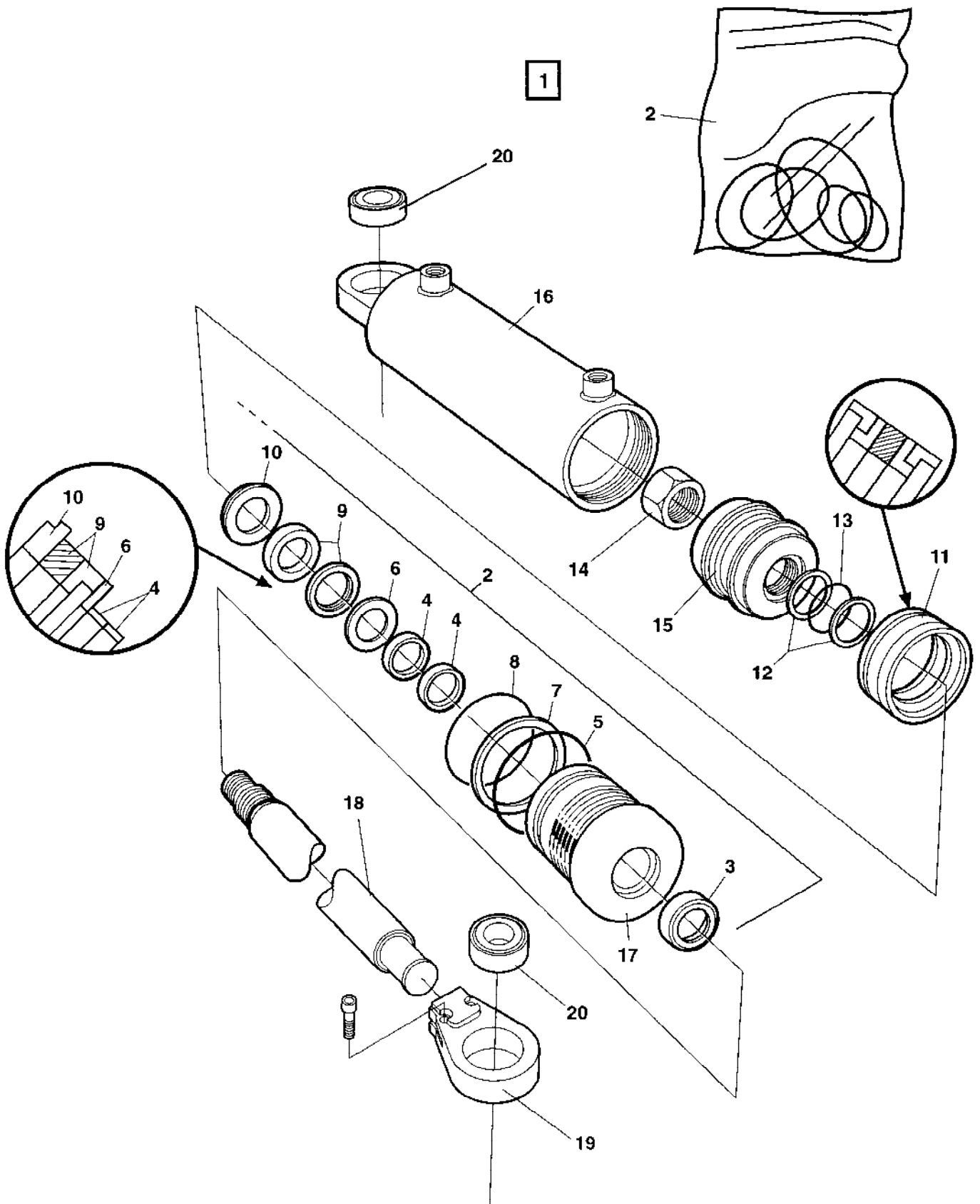
Ref. No.	Part No.	Rem.	Qty	Description	Code
1	936487	A	1	Dust seal ring	
2			1	Housing, spool and sleeve	
3	480468		1	Ball	
4	480446		1	Threaded bushing	D
5	908780	A	1	O-ring	
7	911620		1	Bearing	D
8	480449		1	Ring	
9	480447		1	Cross pin	
11	902861		1	Cardan shaft	
12	911618		1	Spring kit	D
13	936488	A	1	O-ring	
14	902862		1	Valve plate	
15	936489		1	Gear wheel set	
16	936490	A	2	O-ring	
17	480450		1	End cap	
18	936491	A	7	Washer	
20	936492		1	Screw with pin	
21	936493		6	Screw	
22	936494		1	Name plate	
24	929010		1	Relief valve 17,0-17,5MPa	D
25	936495		1	Spring wire	
26	929012		2	Shock valve 22,5-24,0 MPa	
27	929013		2	Ball	
29	929014		2	Rolled pin	
32	908782		1	Valve	
33	908783	B	1	Seal kit	D

- A) Included in kit, item 33  
B) Not included in PN 375455



## Steering cylinder

Ref. No.	Part No.	Rem.	Qty	Description	Code
1	500051		4	Screw M12-1,75x25 8,8	
2	604009		4	Washer	
3	259211		2	Snap plate	
4	257139		2	Shaft	
5	259215		4	Spacer ring	
6	376059		1	Steering cylinder ( Page 188 )	

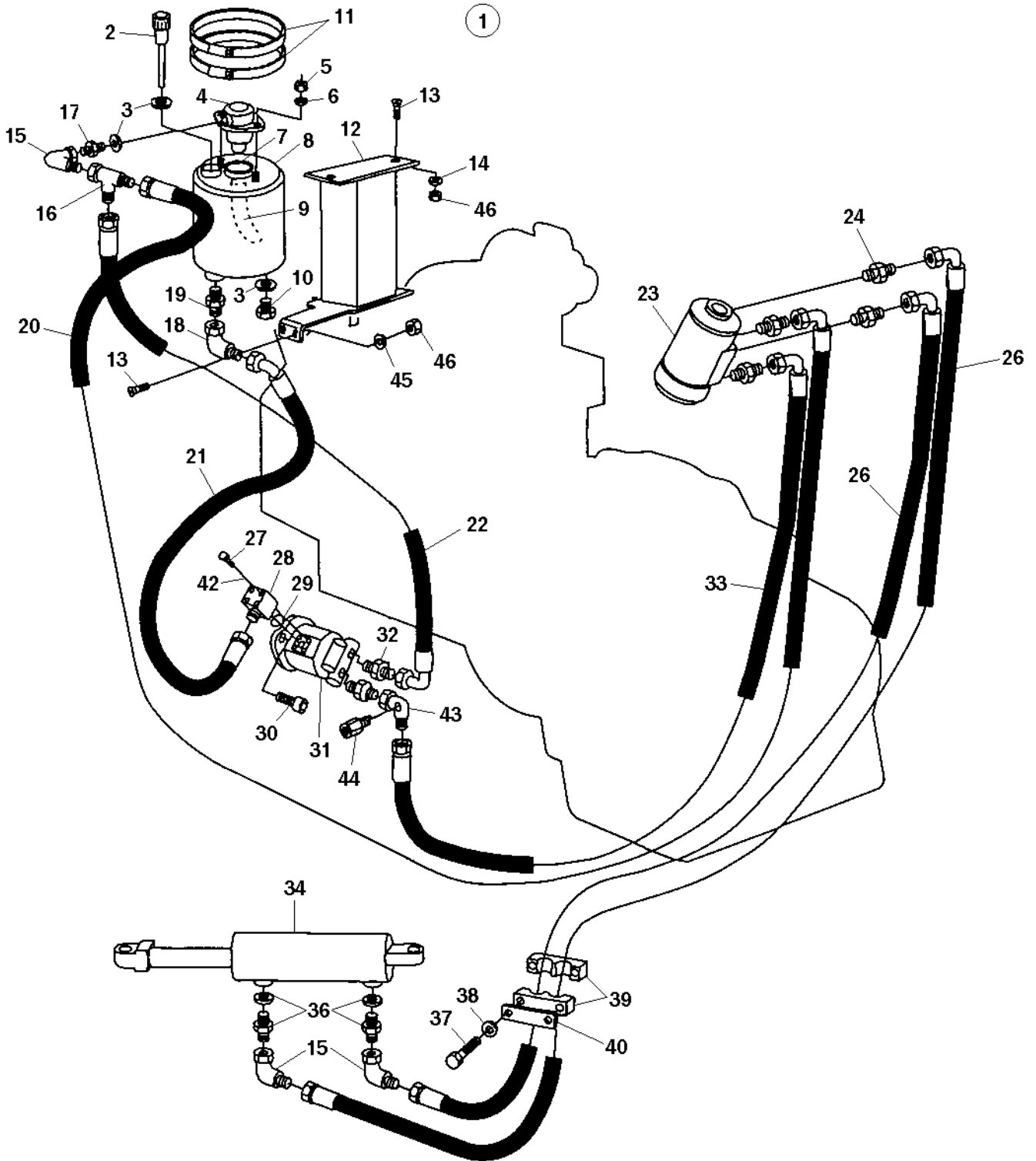


**376059 Steering cylinder**

<b>Ref. No.</b>	<b>Part No.</b>	<b>Rem.</b>	<b>Qty</b>	<b>Description</b>	<b>Code</b>
1			1	Steering cylinder, cpl	
2	936703		1	.Seal kit	D
3	936700		1	.Shear wiper	
4	936699		2	.Guide ring	
5	160033		1	.O-ring	D
6	936697		1	.Back-up ring	
7	903289		1	.Back-up ring	
8	160032		1	.O-ring	D
9	936696		1	.Piston rod sealing	
10	936695		1	.Snap ring	
11	926326		1	.Piston seal	
12	904141		2	.Back-up ring	
13	160013		1	.O-ring	
14	904142		1	.Lock nut	
15	904143		1	.Piston block	
16	936694		1	.Cylinder tube	
17	936698		1	.Guide	
18	936701		1	.Piston rod	
19	936702		1	.Link head	
20	901691		2	.Bushing	D

Steering system from SN 22620323

17186-1

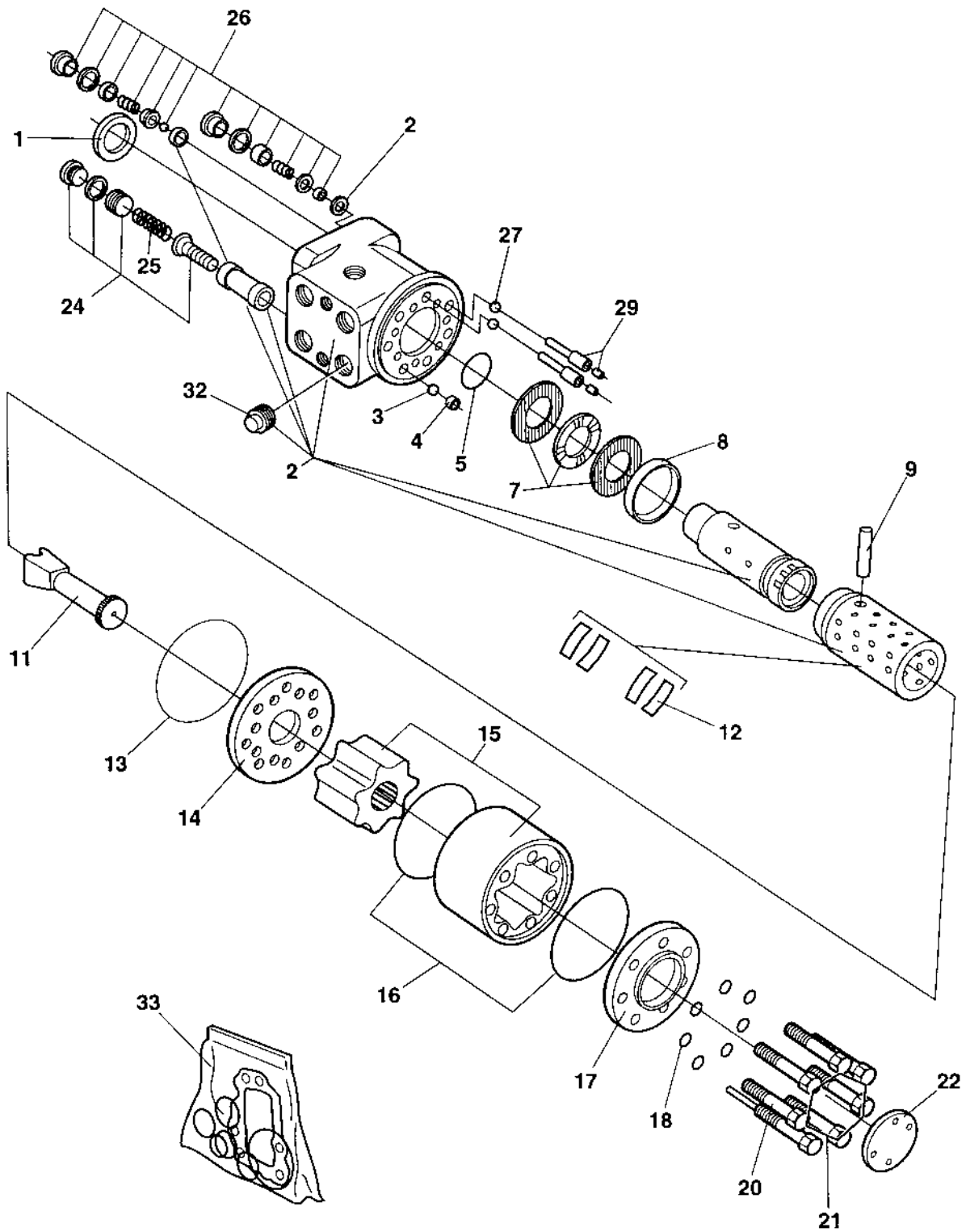




## Steering system from SN 22620323

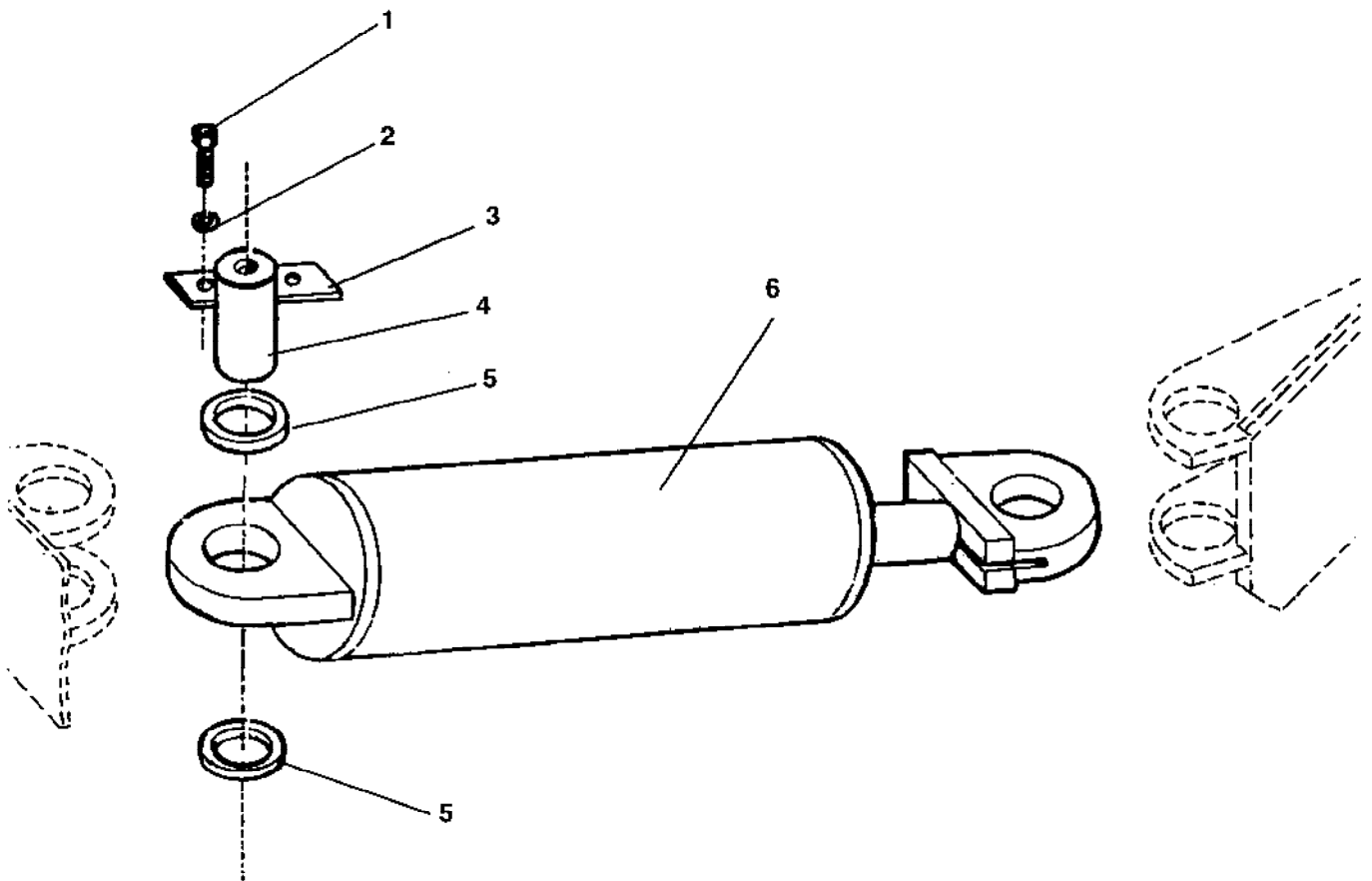
Ref. No.	Part No.	Rem.	Qty	Description	Code
1	241846		1	Hydraulic oil tank, CPL	
2	499373		1	.Air cleaner	
3	330331		3	.Washer 18,2x23,9x1,5	
4	912081		1	.Filter, cpl	
	499474		1	..Filter element	
5	570005		2	.Nut M8	
6	604005		2	.Spring washer	
7	313006		1	.Hose clamp	
8	241848		1	.Hydraulic oil tank	
9	244034		1	.Hose	
10	232160		1	.Plug	
11	194339		2	Clamp	
12	381699		1	Support	
13	902520		3	Screw	
14	904229		2	Washer 8,4x16x1,5	
15	334197		3	Elbow 90	
16	334135		1	T-connector	
17	234941		1	Adapter	
18	334155		1	Connector	
19	334157		1	Straight connector	
20	482662		1	Hydraulic hose	
21	482912		1	Hydraulic hose	
22	482582		1	Hydraulic hose	
23	375455		1	Steering valve ( Page 184 )	D
24	334116		4	Straight o-ring connector	
26	191787		2	Hydraulic hose	
27	500088		4	Screw M6x40	
28	904786		1	Flange adapter	
29	813457		1	O-ring	
30	508013		2	Screw	
31	191788		1	Steering pump If not available; use 376548	
32	334121		2	Straight connector	
33	242175		1	Hydraulic hose	
34			1	Steering cylinder ( Page 186 )	
36	334116	B	2	Straight o-ring connector	
37	500186		2	Screw M6-1x45 8,8	
38	904228		2	Washer 6,4x12x1,5	
39	192223		1	Hose fixing	
40	241431		1	Plate	
42	904228		4	Washer 6,4x12x1,5	
43	192255		1	Elbow 90	
44	910161		1	Measuring nipple	D
45	904734		1	Washer 8,4x26x4	
46	586003		3	Lock nut M8	

B) With o-ring and backup ring



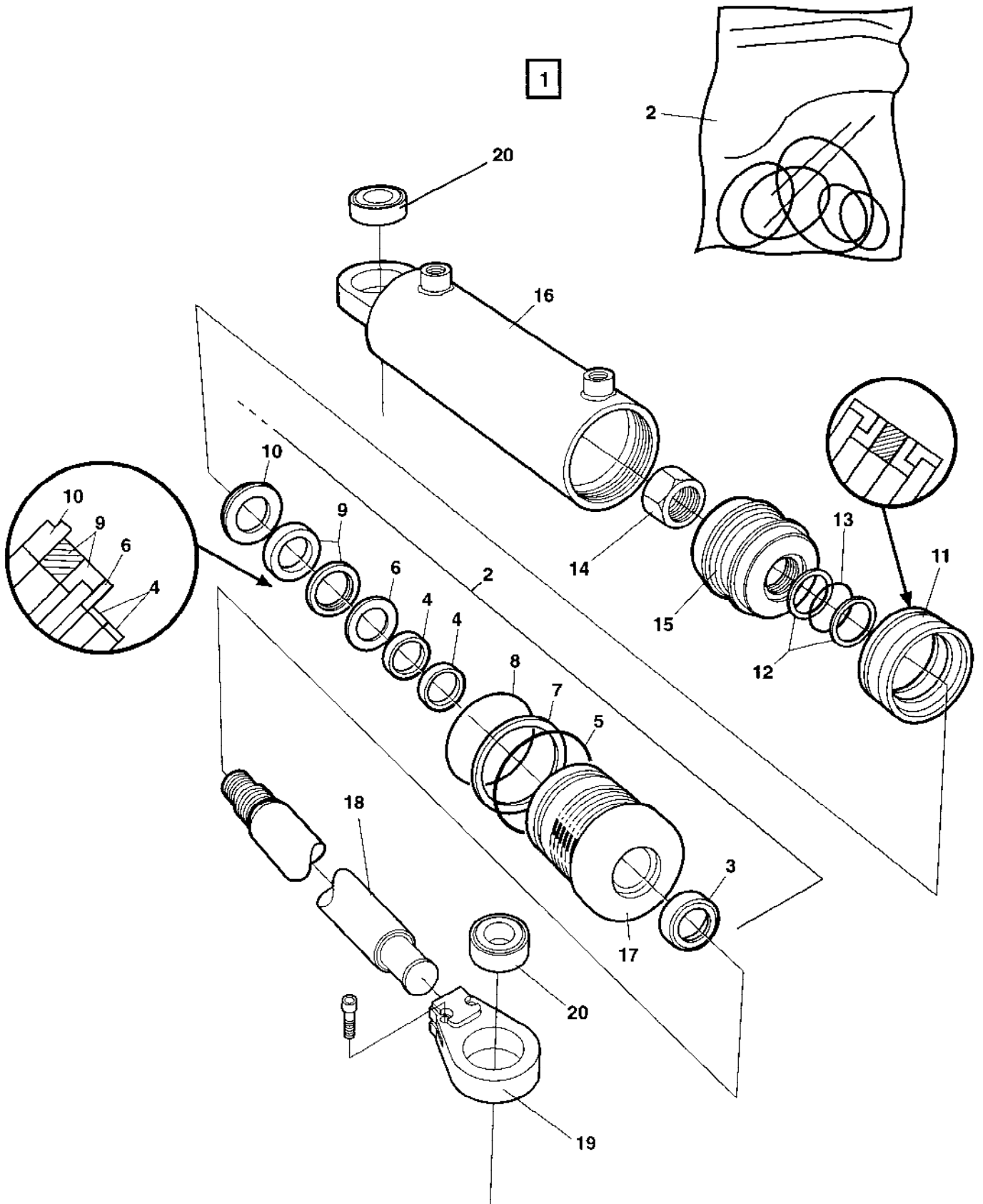
Ref. No.	Part No.	Rem.	Qty	Description	Code
1	936487	A	1	Dust seal ring	
2			1	Housing, spool and sleeve	
3	480468		1	Ball	
4	480446		1	Threaded bushing	D
5	908780	A	1	O-ring	
7	911620		1	Bearing	D
8	480449		1	Ring	
9	480447		1	Cross pin	
11	902861		1	Cardan shaft	
12	911618		1	Spring kit	D
13	936488	A	1	O-ring	
14	902862		1	Valve plate	
15	936489		1	Gear wheel set	
16	936490	A	2	O-ring	
17	480450		1	End cap	
18	936491	A	7	Washer	
20	936492		1	Screw with pin	
21	936493		6	Screw	
22	936494		1	Name plate	
24	929010		1	Relief valve 17,0-17,5MPa	D
25	936495		1	Spring wire	
26	929012		2	Shock valve 22,5-24,0 MPa	
27	929013		2	Ball	
29	929014		2	Rolled pin	
32	908782		1	Valve	
33	908783	B	1	Seal kit	D

- A) Included in kit, item 33  
B) Not included in PN 375455



## Steering cylinder

Ref. No.	Part No.	Rem.	Qty	Description	Code
1	500051		4	Screw M12-1,75x25 8,8	
2	604009		4	Washer	
3	259211		2	Snap plate	
4	257139		2	Shaft	
5	259215		4	Spacer ring	
6	376059		1	Steering cylinder ( Page 188 )	



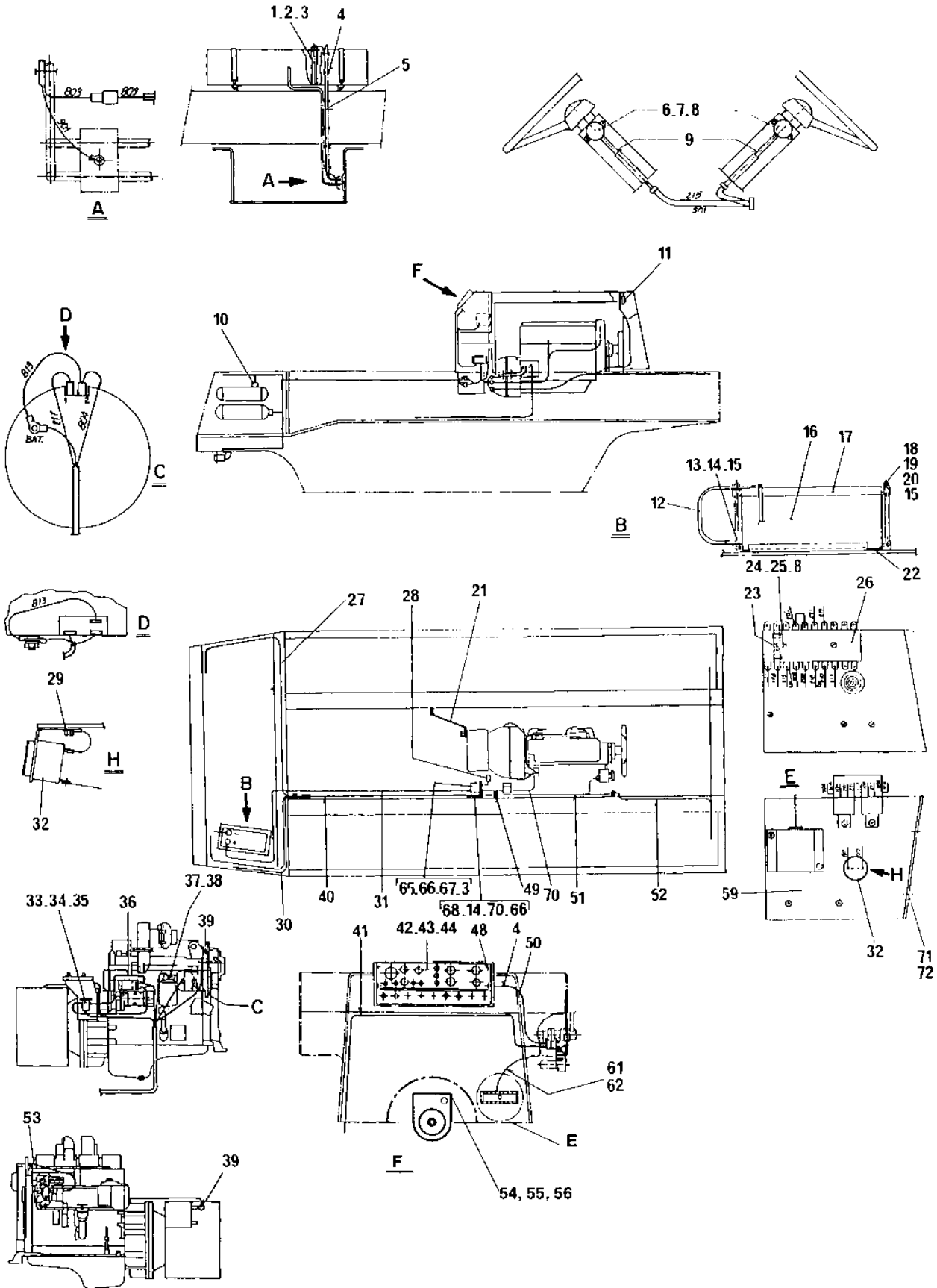
**376059 Steering cylinder**

<b>Ref. No.</b>	<b>Part No.</b>	<b>Rem.</b>	<b>Qty</b>	<b>Description</b>	<b>Code</b>
1			1	Steering cylinder, cpl	
2	936703		1	.Seal kit	D
3	936700		1	.Shear wiper	
4	936699		2	.Guide ring	
5	160033		1	.O-ring	D
6	936697		1	.Back-up ring	
7	903289		1	.Back-up ring	
8	160032		1	.O-ring	D
9	936696		1	.Piston rod sealing	
10	936695		1	.Snap ring	
11	926326		1	.Piston seal	
12	904141		2	.Back-up ring	
13	160013		1	.O-ring	
14	904142		1	.Lock nut	
15	904143		1	.Piston block	
16	936694		1	.Cylinder tube	
17	936698		1	.Guide	
18	936701		1	.Piston rod	
19	936702		1	.Link head	
20	901691		2	.Bushing	D





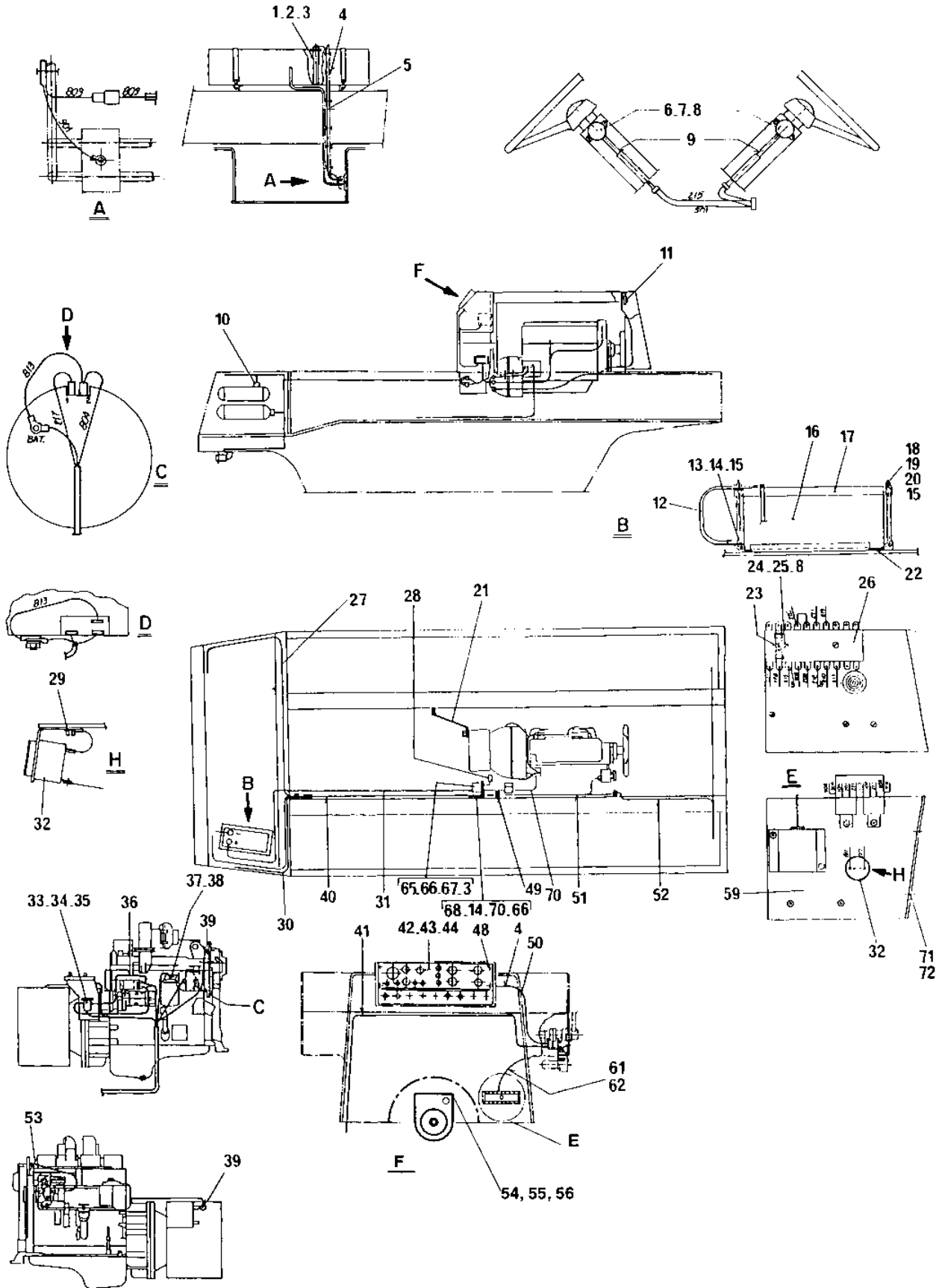
Ref. No.	Part No.	Rem.	Qty	Description	Code
10				Electrical system ( Page 200 )	
20				Lights ( Page 206 )	
30				Instrument board Up to SN 22620429 ( Page 208 )	
35				Instrument board From SN 22620430 ( Page 210 )	
40				Electrical equipment ( Page 212 )	



Electrical system

Ref. No.	Part No.	Rem.	Qty	Description	Code
1	192032		1	Fuel sender	
2	500006		5	Screw M5x16	
3	904281		5	Washer 5,3x10x1	
4	313068		14	Cable ties L=92 mm	
5	192309		1	Cable harness	
6	930138		2	Push button	
7	541525		4	Screw	
8	904281		10	Washer 5,3x10x1	
9	192312		1	Cable harness	
10	904600		2	Pressure gauge	
11	347241	A	1	Horn	C
		B	1	Horn assy ( Page 204 )	
12	258870		1	Battery cable (-)	
13	500048		1	Screw M10-1,5x20 8,8	
14	570006		2	Nut M10	
15	904230		3	Washer 10,5x22x2	
16	470020		1	Battery	
17	343369		1	Battery frame	
18	250070		2	Fixing screw	
19	571003		2	Nut UNC 3/8 - 16	
20	904637		2	Washer 10x18x2	
21	265215		1	Cable	
22	259933		1	Shim	
23	813412		8	Fuse 10A	A
24	533032		4	Screw	
25	570003		4	Nut M5	
26	240759		1	Fuse box	
27	195045		1	Cable harness	
28	249377		1	Protection cover	
29	533001		1	Screw	
30	193930	C	1	Cable harness Up to 22620334	
	383963	D	1	Cable harness From 22620335	
31	192894		1	Battery cable	
32	928661		2	Warning buzzer	
33	975065		1	Starter relay	
34	500013		2	Screw M6-1x16 8,8	
35	604004		2	Washer	
36	192310		1	Cable harness	
37	930139		1	Oil pressure switch	D
38	256485		1	Adapter	
39	258307		2	Temperature sensor	D
40	194333		1	Cable harness	
41	192308		1	Cable harness	
42	242514		1	Resistance cable	
43	192313		1	Cable harness	
44	344389		1	Cable	
45	192894		1	Battery cable	
46	313041		1	Cable ties L=186 mm	
47	927026		1	Screw	
48	240519		4	Screw	
49	313041		6	Cable ties L=186 mm	
50	192303		1	Cable harness	
51	192304		1	Cable harness	
52	192314		1	Cable harness	

- A) Replaced by 382755 horn assy
- B) New placement viewed in the mount instruction of horn assy
- C) Old version with AMP connection for water pump
- D) New version with Cannon connection for water pump

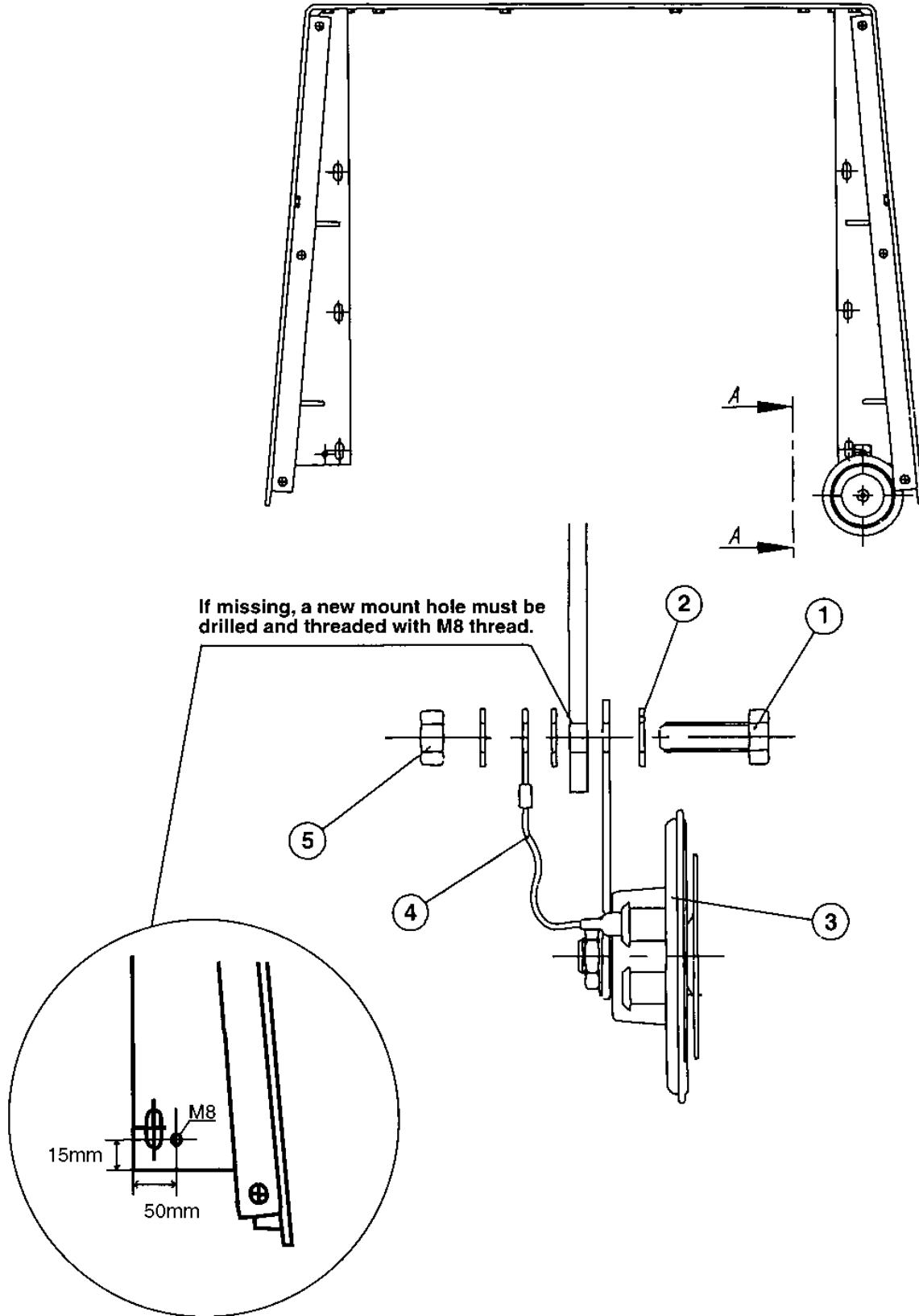


## Electrical system

Ref. No.	Part No.	Rem.	Qty	Description	Code
53	921099		1	Clamp	
54	193045		1	Sensor	
55	193053		2	Screw	
56	904230		4	Washer 10,5x22x2	
59	387733		1	Bracket	
61	192306		1	Cable harness	
62	192307		1	Cable harness	
63	901350		1	Alternator	C
64	901448		1	Starter	C
65	930150		1	Battery switch	D
	928021		1	.Key	D
66	533027		2	Screw	
67	570003		2	Nut M5	
68	374954		1	Bracket	
69	500028		2	Screw M10-1,5x25 8,8	
70	192895		1	Battery cable	
71	500019		2	Screw M8-1,25x16 8,8	
72	904229		2	Washer 8,4x16x1,5	

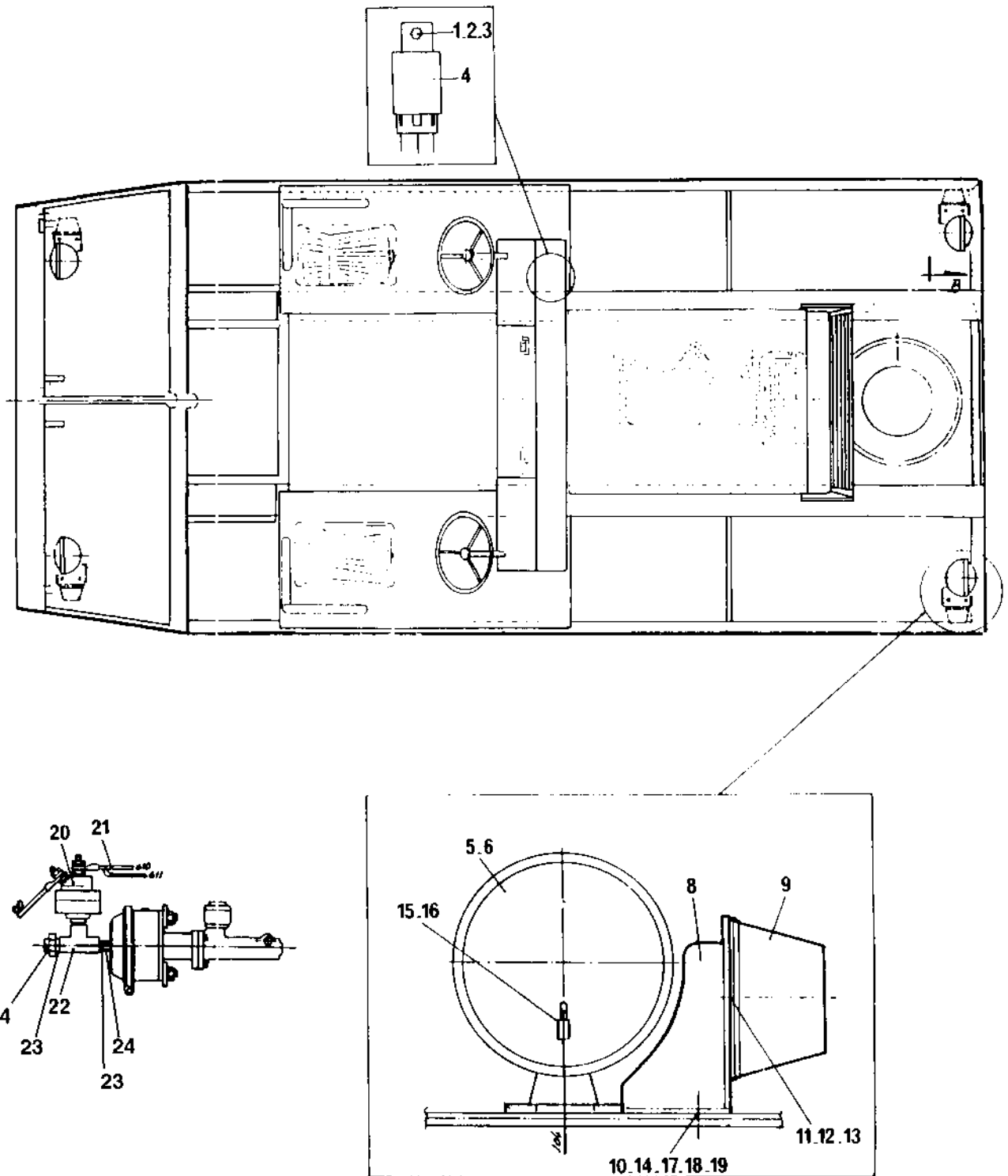
Horn assy

17211



## Horn assy

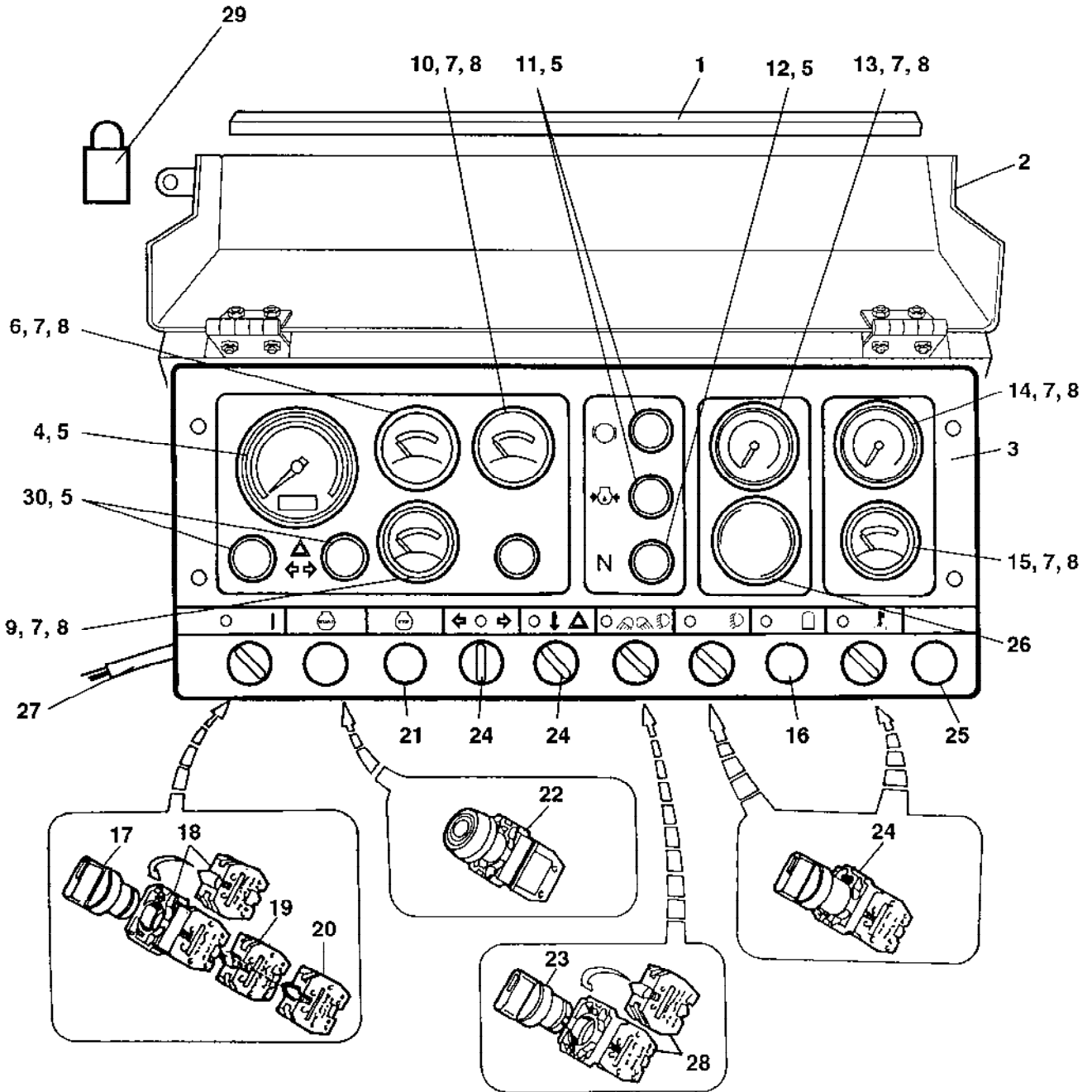
Ref. No.	Part No.	Rem.	Qty	Description	Code
1	500021		1	Screw M8-1,25x25 8,8	
2	904229		3	Washer 8,4x16x1,5	
3	999027		1	Horn	D
4	904912		1	Connection cable	
5	586003		1	Lock nut M8	





## Lights

Ref. No.	Part No.	Rem.	Qty	Description	Code
1	500004		1	Screw M5 0,8x12 8,8	
2	904281		1	Washer 5,3x10x1	
3	570003		1	Nut M5	
4	975068		1	Relay	D
5	985066		4	Head light	D
6	985087		4	Lamp	B
8	191541		4	Bracket	
9	900223		4	Lantern	D
10	500020		8	Screw M8-1,25x22 8,8	
11	533025		8	Screw M5x12	
12	904281		8	Washer 5,3x10x1	
13	247638		4	Lamp	B
14	570005		4	Nut M8	
15	960273		2	Terminal	
16	901766		1	Connector 2-POL	D
17	904229		8	Washer 8,4x16x1,5	
18	615043		8	Washer 8,4x18x2	
19	570003		8	Nut M5	
20	248271		1	Switch brake light	
21	192308		1	Cable harness	
22	904571		1	Connection-T	
23	904577		2	Connector	
24	902131		2	Adapter	



## Instrument board Up to SN 22620429

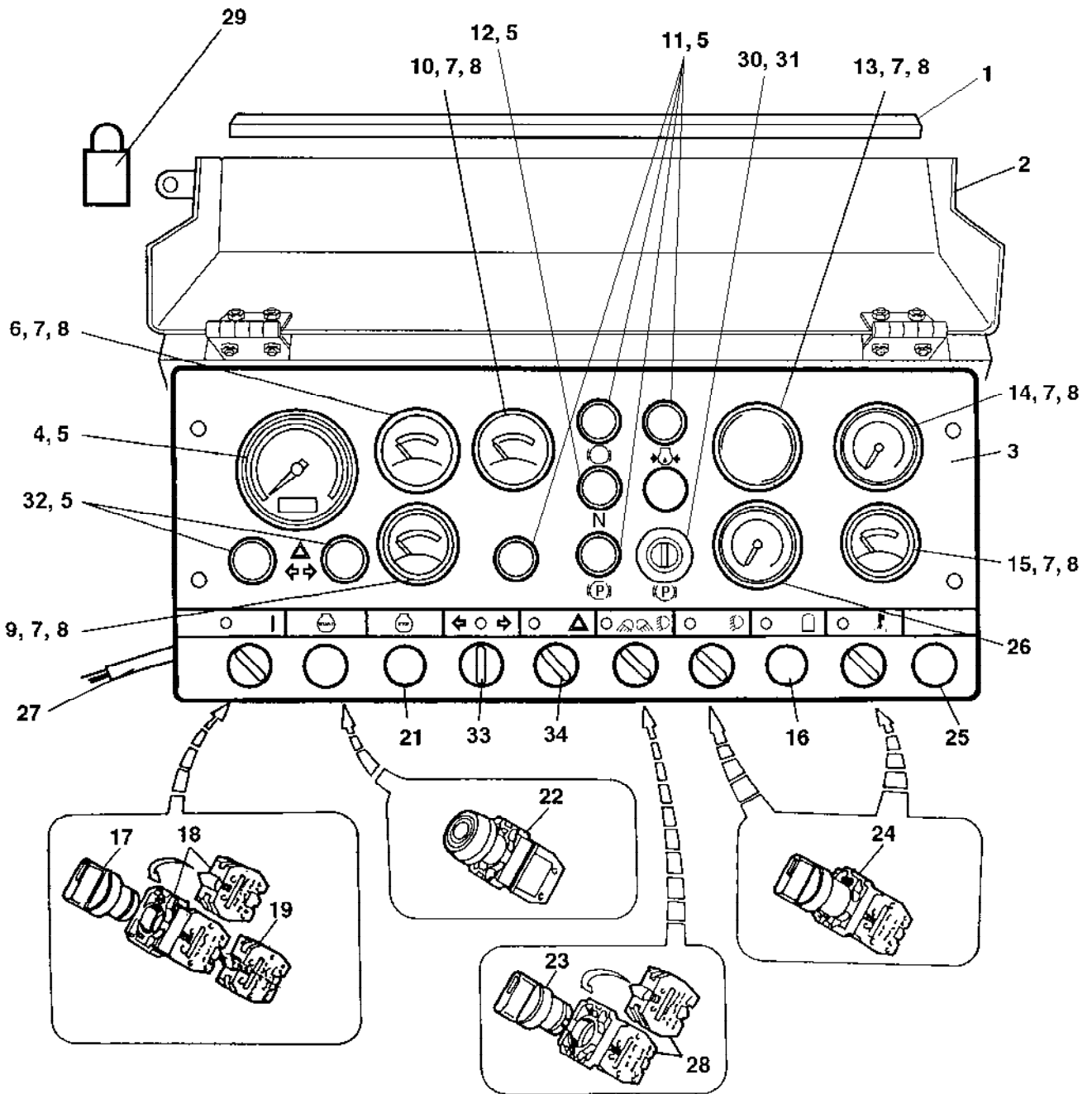
Ref. No.	Part No.	Rem.	Qty	Description	Code
1	202028	A	1	Edge trim	
2	380764		1	Cover	
3	191766		1	Instrument board Up to 22620506	
	386117		1	Instrument board From 22620507	
4	266625		1	Electric tachometer	
5	985012		6	Bulb	D
6	248035		1	Fuel gauge	
7	747583		7	Bulb	
8	927025		7	Socket	
9	265232		1	Water temperature gauge	D
10	265244		1	Volt meter	
11	985146		3	Pilot lamp cpl Red	D
12	932059		1	Pilot lamp cpl Yellow	
13	192135		1	Plug	
	266221	B	1	Manometer	D
14	265909		1	Manometer	
15	265231		1	Oil temperature gauge	
16	911456		5	Hole plug	
17	930192		1	Switch	D
18	930195		1	Contact block	
19	930163		1	Contact piece	D
21	791157		1	Plug unthreaded	
22	928928		1	Push button	D
23	932058		1	Switch	D
24	930151		2	Switch	D
25	928661		1	Warning buzzer	
26	195935		1	Double pressure gauge	
27	192303		1	Cable harness	
28	930182		1	Contact block	D
29	358881		1	Pad lock	
30	985145		2	Pilot lamp cpl Green	

A) L=585 mm

B) Air on the run, Option

Instrument board From SN 22620430

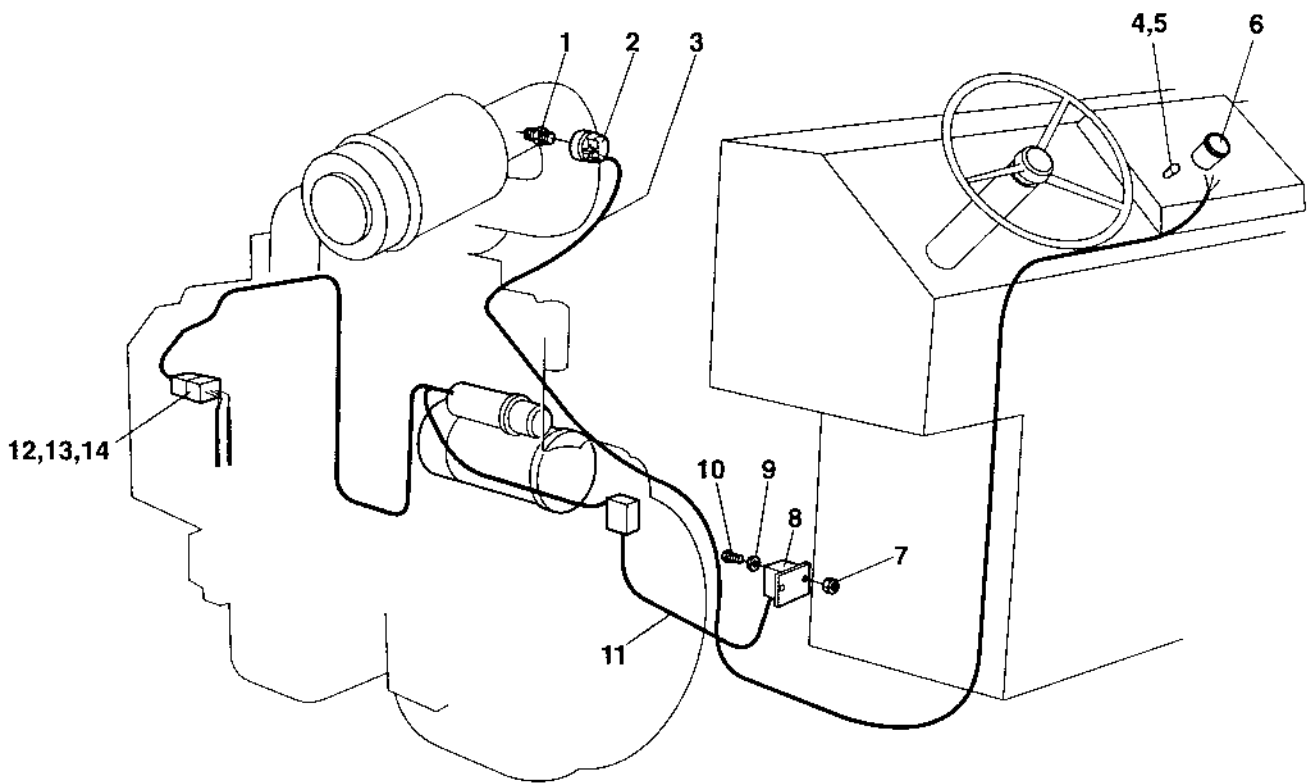
17940-1



## Instrument board From SN 22620430

Ref. No.	Part No.	Rem.	Qty	Description	Code
1	202028	A	1	Edge trim	
2	380764		1	Cover	
3	386117		1	Instrument board	
4	266625		1	Electric tachometer	
5	985012		7	Bulb	D
6	248035		1	Fuel gauge	
7	747583		7	Bulb	
8	927025		7	Socket	
9	265232		1	Water temperature gauge	D
10	265244		1	Volt meter	
11	985146		4	Pilot lamp cpl Red	D
12	932059		1	Pilot lamp cpl Yellow	
13	192135		1	Plug	
	266221	B	1	Manometer	D
14	265909		1	Manometer	
15	265231		1	Oil temperature gauge	
16	911456		5	Hole plug	
	930166	C	1	Switch	D
	930165	C	1	Contact block	D
17	930192		1	Switch	D
18	930195		1	Contact block	
19	930163		1	Contact piece	D
21	791157		1	Plug unthreaded	
22	928928		1	Push button	D
23	932058		1	Switch	D
24	930151		2	Switch	D
25	928661		1	Warning buzzer	
26	195935		1	Double pressure gauge	
27	192303		1	Cable harness	
28	930182		1	Contact block	D
29	358881		1	Pad lock	
30	930200		1	Emergency stop	D
31	930163		1	Contact piece	D
32	985145		2	Pilot lamp cpl Green	
33	932060		1	Contact block	
	930163		4	Contact piece	D
34	930151		1	Switch	D
	930163		3	Contact piece	D

- A) L=585 mm  
 B) Air on the run, Option  
 C) Rotating beacon, Option



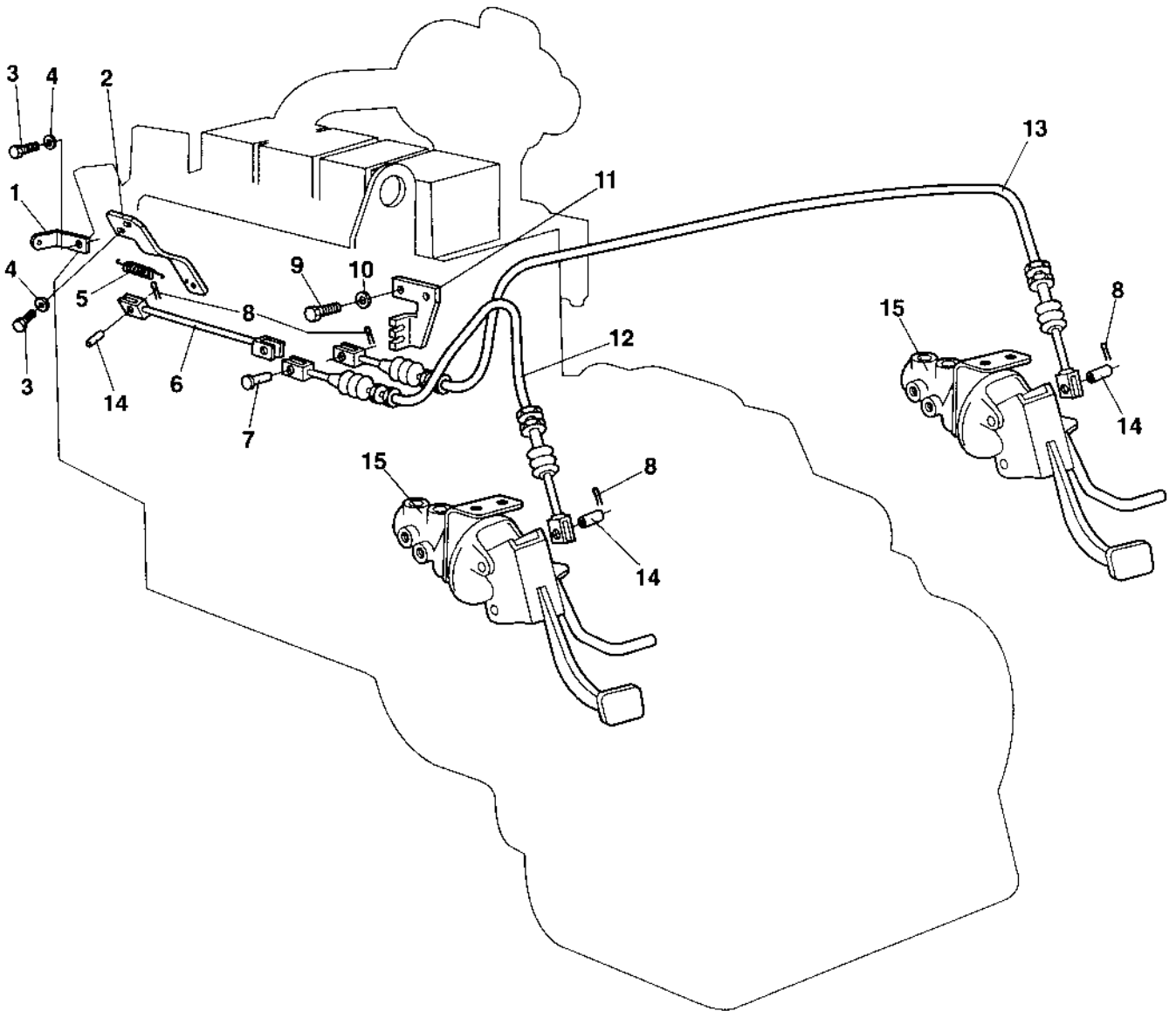
Ref. No.	Part No.	Rem.	Qty	Description	Code
1	375113		1	Nipple	
2	929023		1	Indicator	D
3	374961		1	Cable harness	
4	985012		1	Bulb	D
5	985146		1	Pilot lamp cpl Red	D
6			1	Volt meter See Instrument board assembly	D
7	570004		2	Nut M6	
8	904448		1	Relay	D
9	904228		2	Washer 6,4x12x1,5	
10	500040		2	Screw M6-1x20 8,8	
11	374960		1	Cable harness	
12	903307		1	Connector	
13	923302		1	Connector, socket	
14	929911		1	Sealing	D





## Drivers platform

Ref. No.	Part No.	Rem.	Qty	Description	Code
10				Throttle controls ( Page 216 )	
20				Forward and reverse control, brake Up to 22620318 ( Page 218 )	
30				Forward and reverse control From 22620319 ( Page 222 )	
40				Parking brake From 22620319 Up to 22620429 ( Page 224 )	
50				Pedal and brake valve ( Page 228 )	
60				Instruction book holder up to SN 22620407, not 402 ( Page 232 )	
65				Instruction book holder from SN 22620408 + 402 ( Page 234 )	
70				Steering assembly ( Page 236 )	
90				Safety belt, Only with rops Option ( Page 240 )	
100				Seat assembly Without armrests ( Page 242 )	
110				Seat assembly With armrests ( Page 244 )	
120				Rops ( Page 246 )	
130				Seat cover ( Page 248 )	

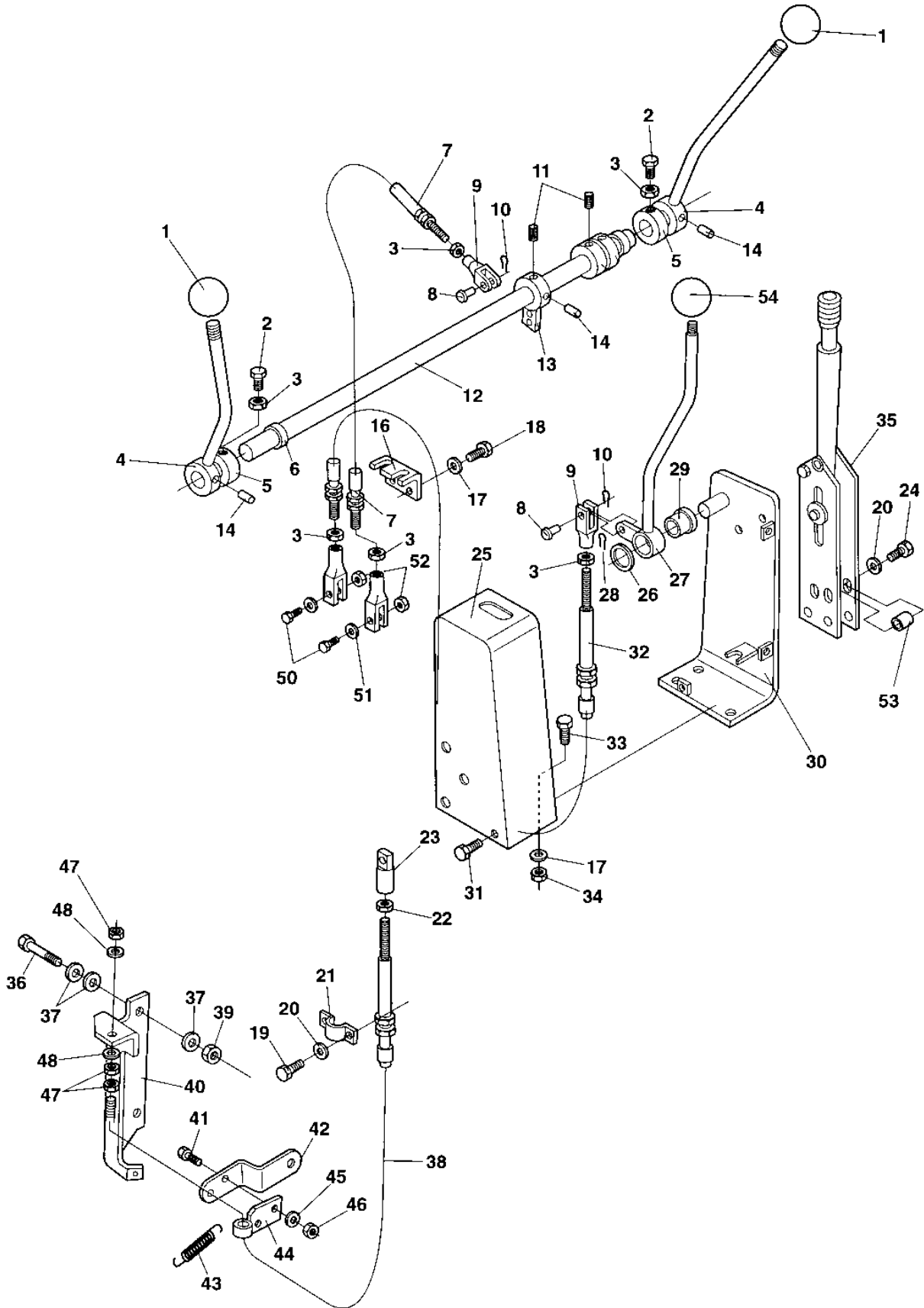


## Throttle controls

Ref. No.	Part No.	Rem.	Qty	Description	Code
1	374903		1	Bracket	
2	374411		1	Control lever	
3	500012		2	Screw M6x12	
4	904228		2	Washer 6,4x12x1,5	
5	904796		1	Spring	
6	192144		1	Control cable	D
7	192127		1	Trunnion	
8	630003		4	Cotter pin	
9	500048		2	Screw M10-1,5x20 8,8	
10	904230		2	Washer 10,5x22x2	
11	374904		1	Bracket	
12	192112		1	Control cable	
13	192111		1	Control cable	
14	250137		3	Trunnion	
15			2	Pedal and brake valve	

Forward and reverse control, brake

16352-1



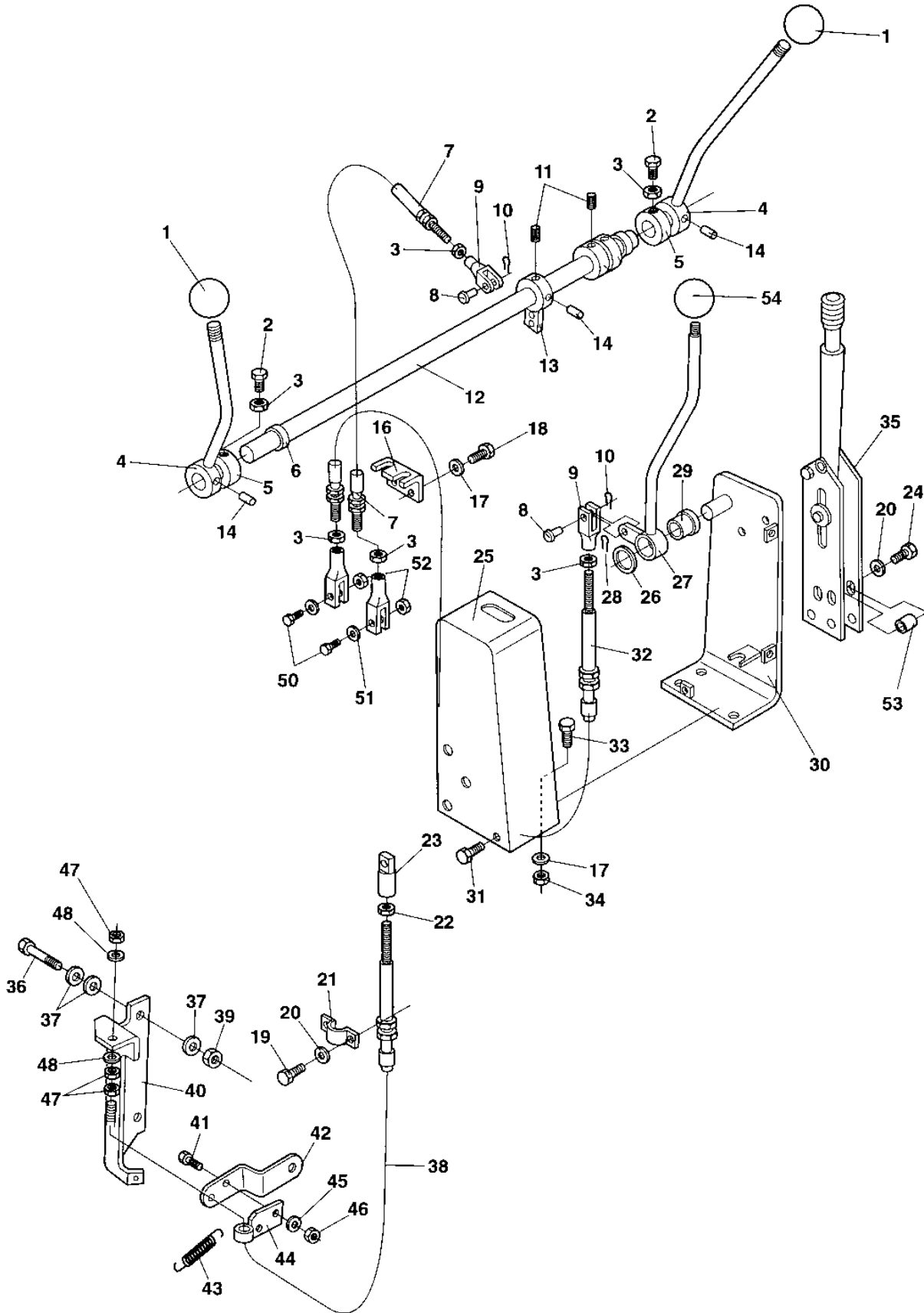
Forward and reverse control, brake

Ref. No.	Part No.	Rem.	Qty	Description	Code
1	312035	E,K	2	Ball knob W1/2"-12, D= 40mm	
	281382	K	2	Ball knob M12, D= 50mm Up to 22620298	
	312023		2	Ball knob M12, D= 32mm From 22620299	
2	500015		2	Screw M6-1x30 8,8	
3	570004		6	Nut M6	
4	254909	A,G	2	Control lever	
	380467	B,F	2	Control lever	
5	264475		2	Bushing	
6	259269		2	Bushing	
7	192114		1	Control cable	D
8	530016		5	Clevis pin	
9	921850		4	Yoke	
10	630003		5	Cotter pin	
11	516034		3	Stop screw	
12	259261		1	Shaft	
13	380466		1	Lever	
14	629061		3	Expanding pin	
16	192026		1	Bracket	
17	904230		8	Washer 10,5x22x2	
18	500048		2	Screw M10-1,5x20 8,8	
19	500188		2	Screw M8-1,25x14 8,8	
20	615043		3	Washer 8,4x18x2	
21	813353		1	Clamp	
22	572002		3	Nut	
23	380063		1	Rod end Up to 22620318	
	382348		1	Rod end From 22620319	
24	500024		2	Screw M8x45	
25	192105		1	Hood	
26	600021		1	Washer	
27	192018	C,D	1	Lever	
28	630014		1	Cotter pin	
29	191999		1	Bushing	D
30	380453		1	Bracket	
31	541702		3	Screw M6x12	
32	192115		1	Control cable	
33	500029		3	Screw M10-1,5x30 8,8	
34	586018		3	Lock nut M10	
35	380392		1	Brake lever	

- A) Includes the ball knob 312035
- B) To be interchangeable with 254909, ball knob 281382 or 312023 is needed
- C) New version with tread: M12
- D) Interchangeable with the old version of this lever together with ball knob 312023
- E) In use together with lever 254909
- F) Advise: To find out for sure which lever is used, check the ball knob diameter: 40mm= Lever 254909
- G) Replaced by 380467 together with ball knob 281382 or 312023
- K) Check ball knob diameter for correct order.

Forward and reverse control, brake

16352-1



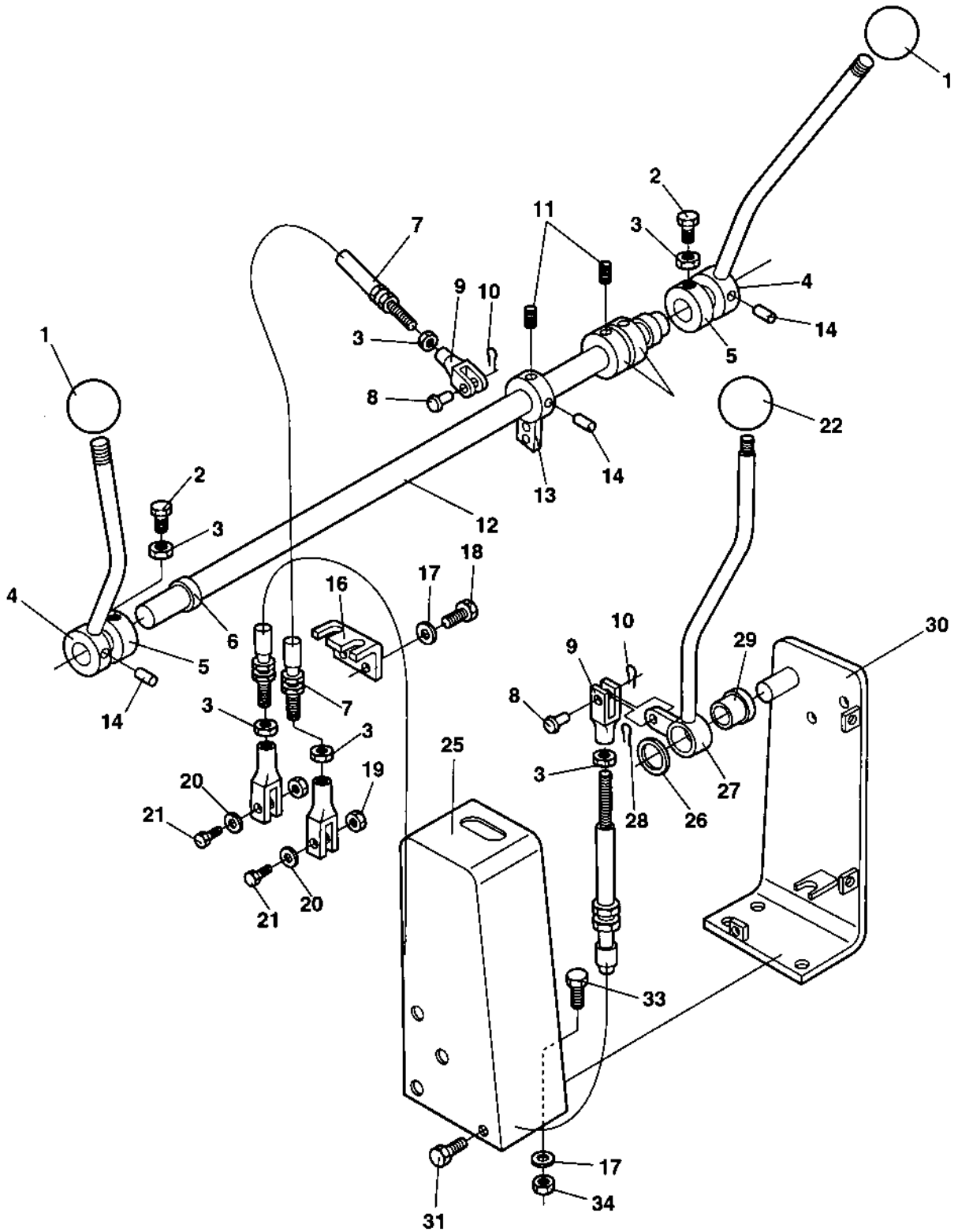
## Forward and reverse control, brake

Ref. No.	Part No.	Rem.	Qty	Description	Code
36	904449		2	Screw	
37	904232		4	Washer 17x30x3	
38	192793		1	Brake cable Up to 22620318	D
	382240		1	Brake cable From 22620319	D
39	904450		2	Nut	
40	376273		1	Bracket Up to 22620318	
	384953		1	Bracket From 22620319	
41	500021		2	Screw M8-1,25x25 8,8	
42				Bracket See brakes	
43	359043		1	Spring	D
44	374969		1	Bracket	
45	615043		4	Washer 8,4x18x2	
46	570005		2	Nut M8	
47	572002		3	Nut	
48	904229		2	Washer 8,4x16x1,5	
50	500022		2	Screw M8-1,25x30 8,8	
51	904229		2	Washer 8,4x16x1,5	
52	586003		2	Lock nut M8	
53	380064		2	Spacer	
54	312035	H,K	1	Ball knob W1/2"-12, D= 40mm	
	312023	J,K	1	Ball knob M12, D= 32mm	

- H) In use together with the old version of lever 192018, which has the tread: W 1/2" - 12
- J) In use together with the new version of lever 192018
- K) Check ball knob diameter for correct order.

Forward and reverse control

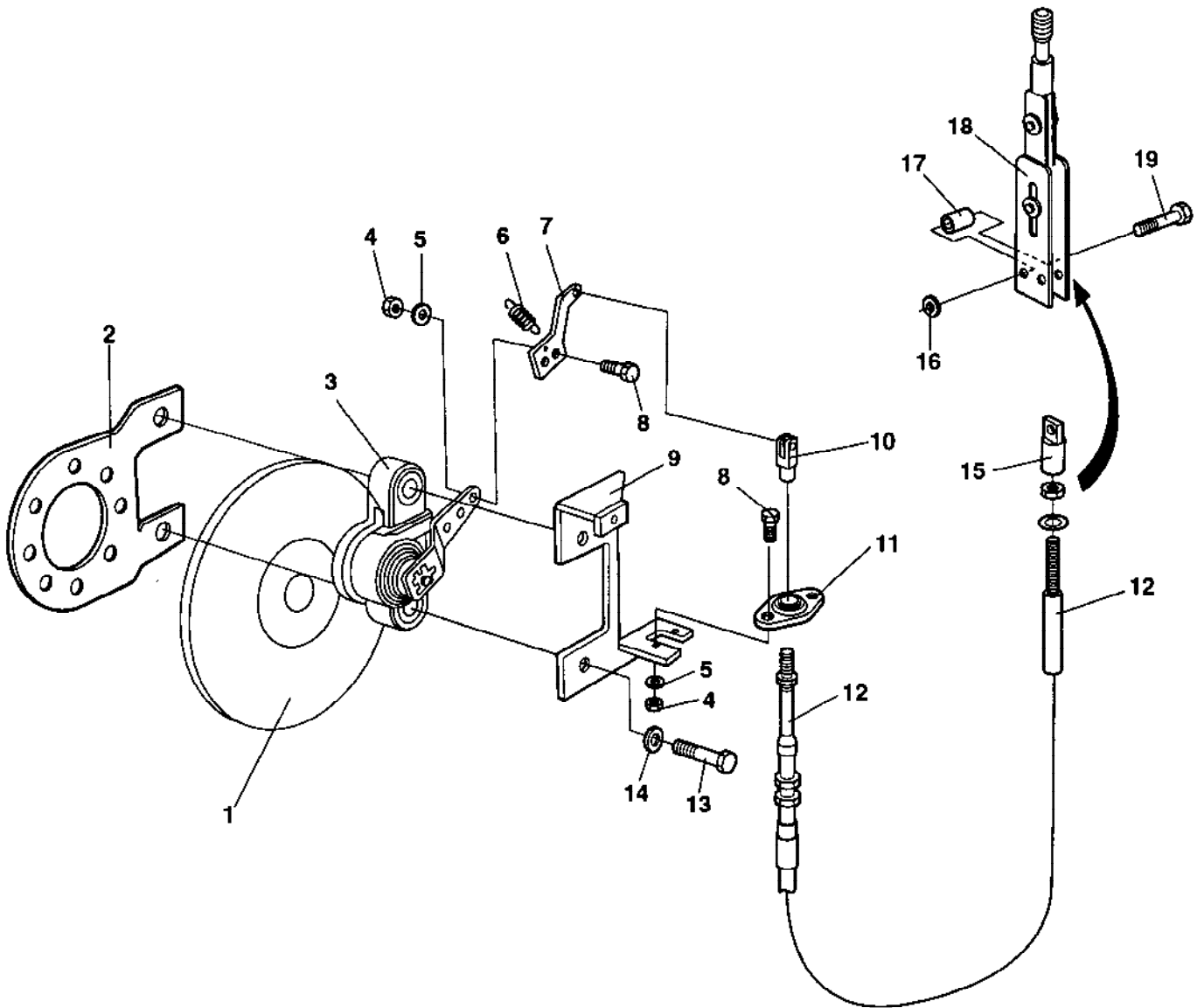
17600





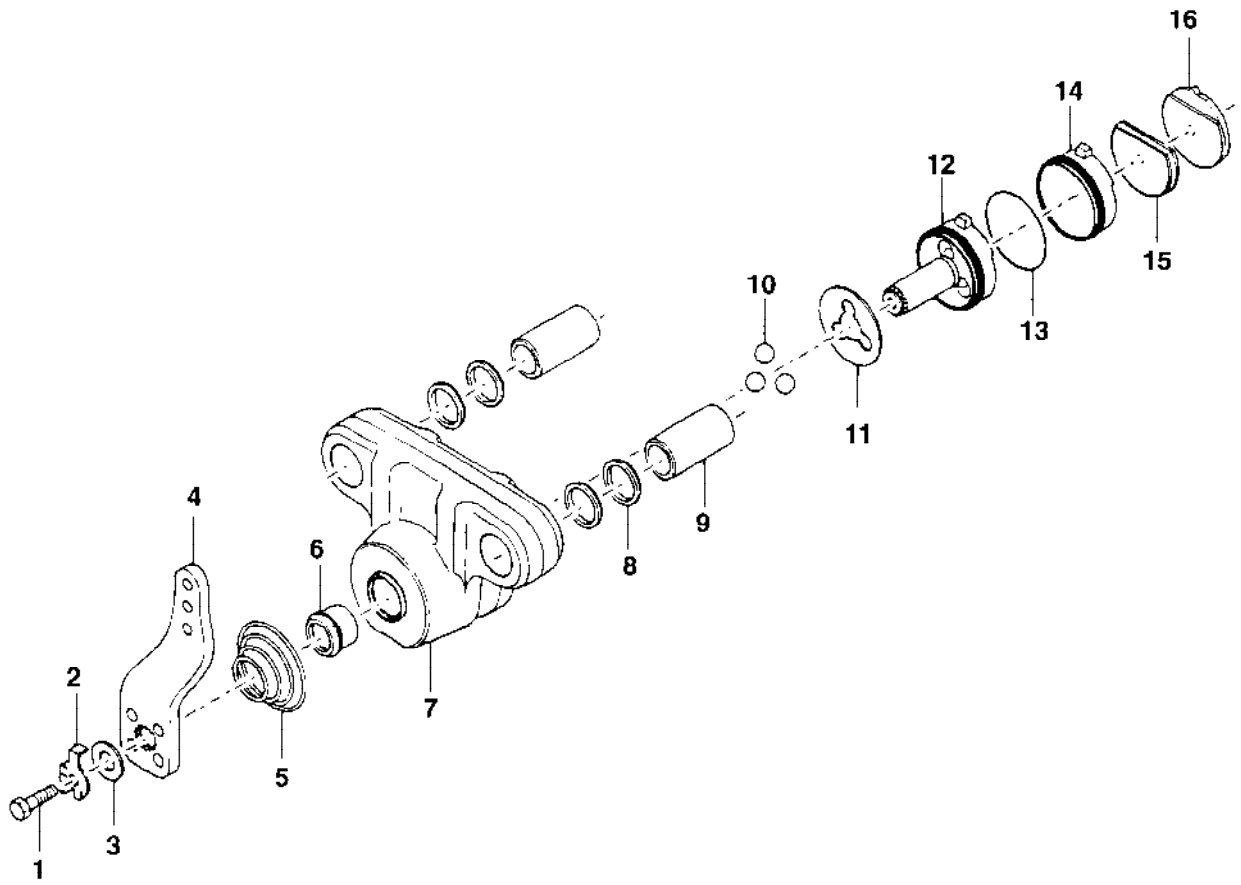
## Forward and reverse control

Ref. No.	Part No.	Rem.	Qty	Description	Code
1	312023		2	Ball knob M12, D= 32mm	
2	500015		2	Screw M6-1x30 8,8	
3	570004		6	Nut M6	
4	254909		2	Control lever	
	380467		2	Control lever	
5	264475		2	Bushing	
6	259269		2	Bushing	
7	192114		1	Control cable	D
8	530016		5	Clevis pin	
9	921850		4	Yoke	
10	630003		5	Cotter pin	
11	516034		3	Stop screw	
12	259261		1	Shaft	
13	380466		1	Lever	
14	629061		3	Expanding pin	
16	192026		1	Bracket	
17	904230		8	Washer 10,5x22x2	
18	500048		2	Screw M10-1,5x20 8,8	
19	586003		2	Lock nut M8	
20	904229		2	Washer 8,4x16x1,5	
21	500022		2	Screw M8-1,25x30 8,8	
22	312023		1	Ball knob M12, D= 32mm	
24	500024		2	Screw M8x45	
25	192105		1	Hood	
26	600021		1	Washer	
27	192018		1	Lever	
28	630014		1	Cotter pin	
29	191999		1	Bushing	D
30	380453		1	Bracket	
31	541702		3	Screw M6x12	
32	192115		1	Control cable	
33	500029		3	Screw M10-1,5x30 8,8	
34	586018		3	Lock nut M10	



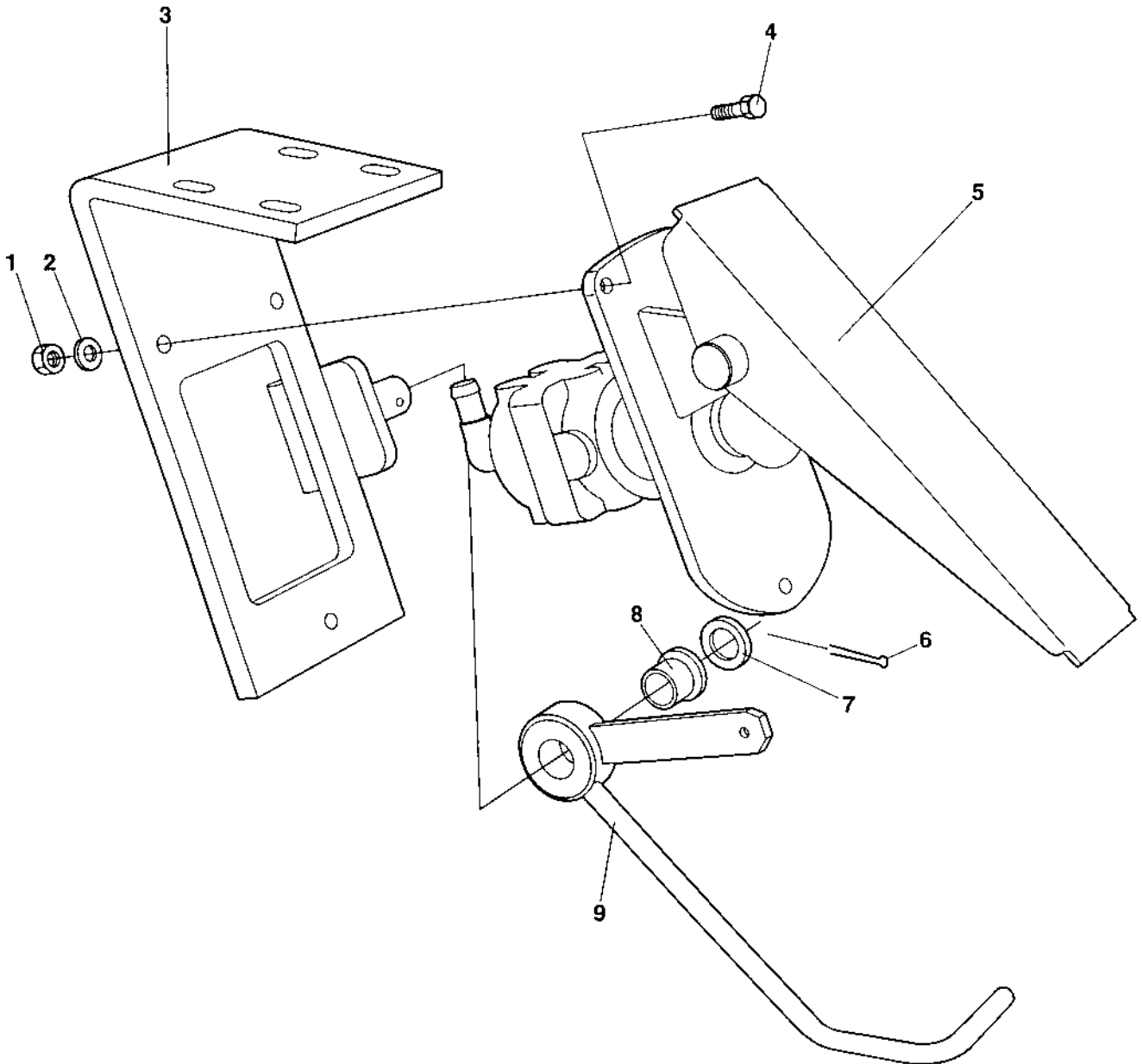
## Parking brake

Ref. No.	Part No.	Rem.	Qty	Description	Code
1	938108		1	Disc	
2	384386		1	Bracket	
3	384385		1	Caliper disc brake ( Page 168 )	
4	570004		4	Nut M6	
5	904228		4	Washer 6,4x12x1,5	
6	382338		1	Extension spring	
7	382236		1	Extension	
8	500014		4	Screw M6x22	
9	384953		1	Bracket	
10	416019		1	Yoke	
11	416051		1	Ball joint	
12	382240		1	Brake cable	D
13	502082		2	Screw UNC 5/8x83 8.8	
14	904232		2	Washer 17x30x3	
15	382348		1	Rod end	
16	904230		2	Washer 10,5x22x2	
17	380064		2	Spacer	
18	380392		1	Brake lever	
19	500031		2	Screw M10-1,5x40 8,8	



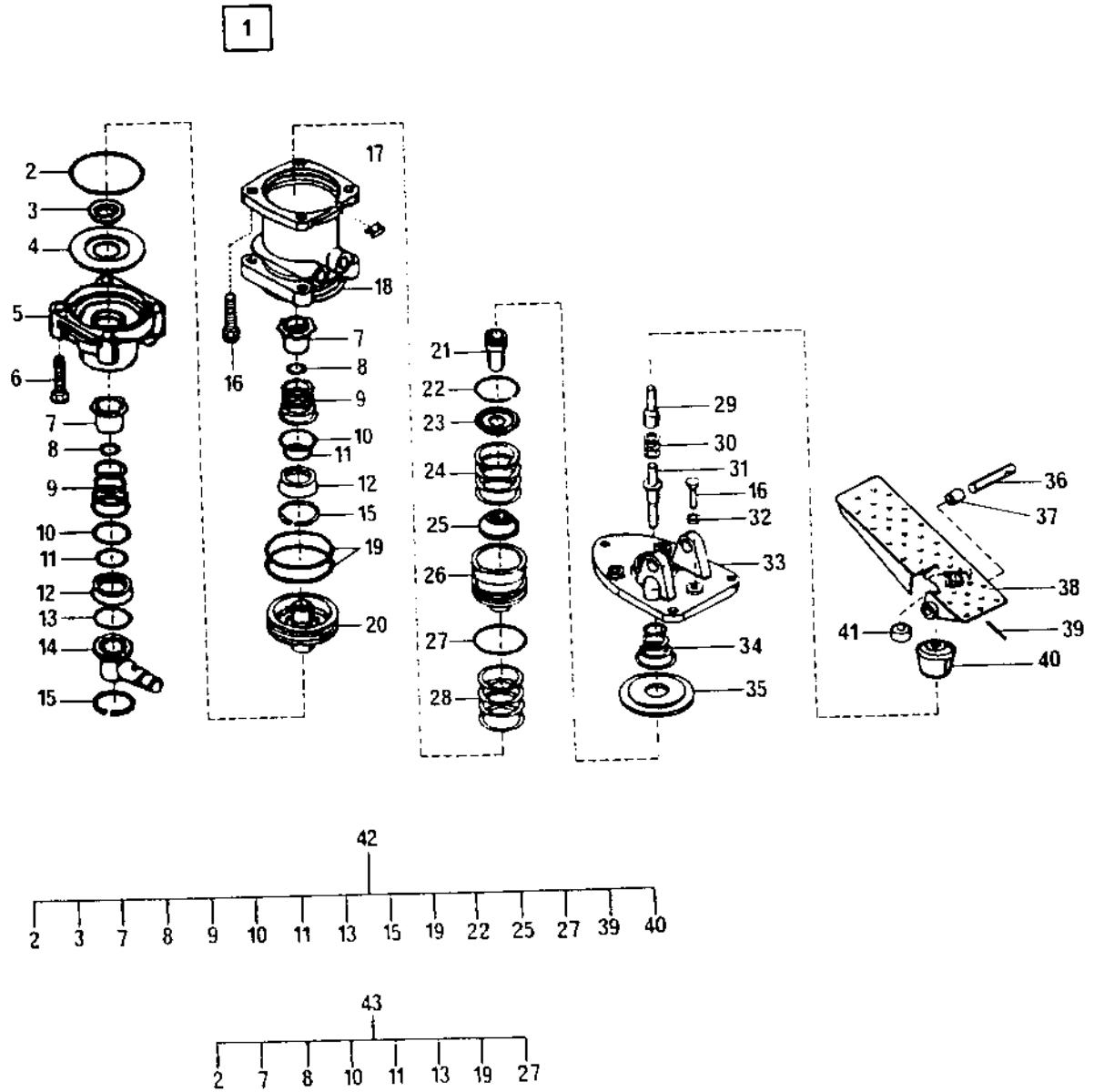
**384385 Caliper disc brake**

<b>Ref. No.</b>	<b>Part No.</b>	<b>Rem.</b>	<b>Qty</b>	<b>Description</b>	<b>Code</b>
1	938385		1	Screw	
2	938386		1	Clip	
3	938387		1	Washer	
4	938388		1	Lever	
5	938389		1	Spring	
6	938390		1	Shaft seal	
7			1	Not Sold Separately	
8	938392		4	O-ring	
9	938393		2	Bushing	
10	938394		3	Ball	
11	938395		1	Ball spacer	
12			1	Not Sold Separately	
13	938397		1	Plain bearing	
14	938398		1	Rotor seal	
15	938399		1	Pad, lever side	
16	938400		1	Pad, carrier side	



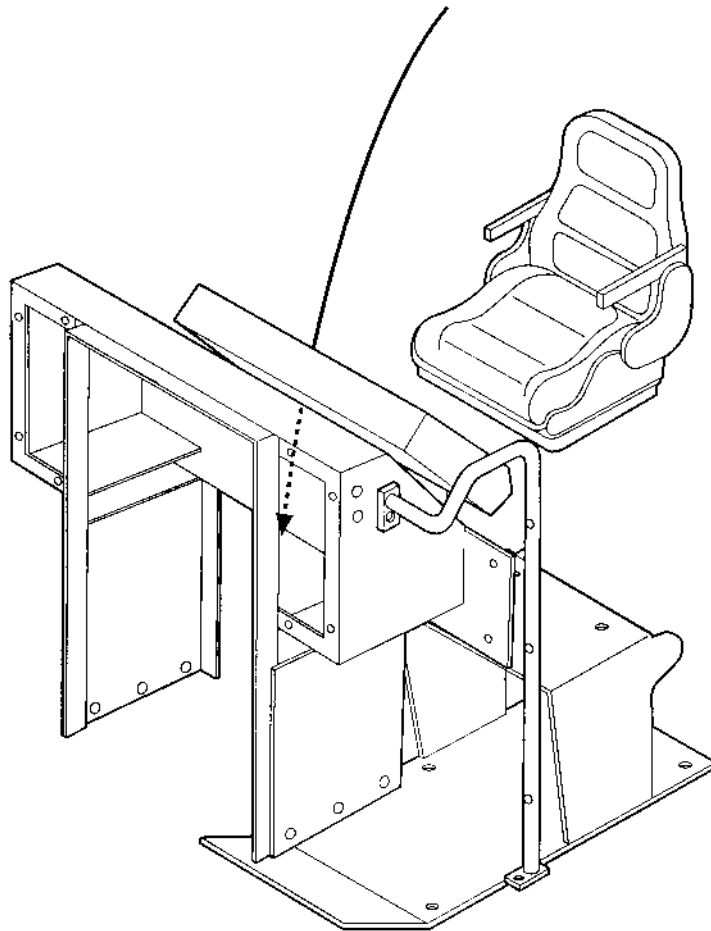
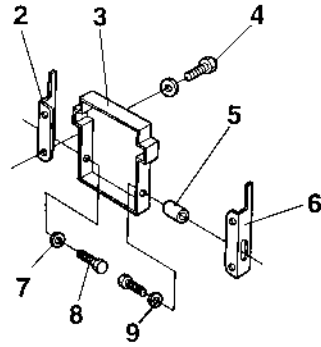
## Pedal and brake valve

Ref. No.	Part No.	Rem.	Qty	Description	Code
1	570005		3	Nut M8	
2	615043		3	Washer 8,4x18x2	
3	195758		1	Bracket	
4	500022		3	Screw M8-1,25x30 8,8	
5	195779		1	Brake valve ( Page 230 )	
6	630014		1	Cotter pin	
7	600021		1	Washer	
8	191999		1	Bushing	D
9	191973		1	Pedal, cpl	



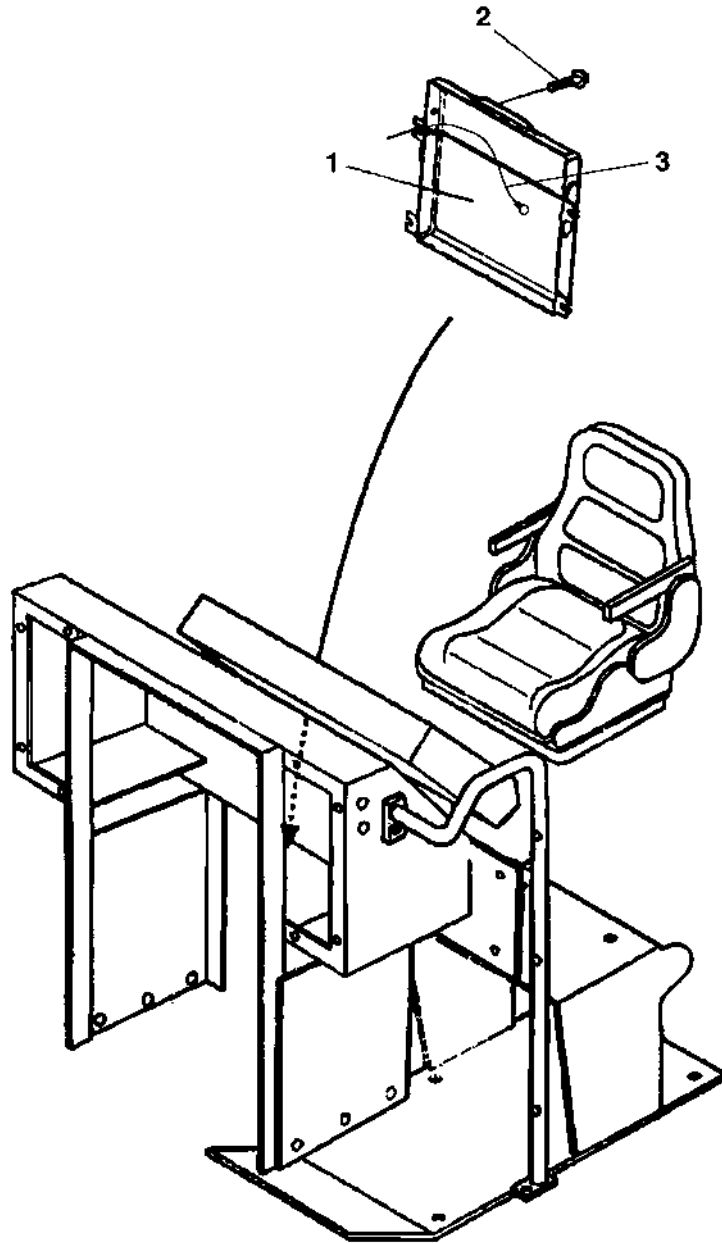


Ref. No.	Part No.	Rem.	Qty	Description	Code
1			1	Brake valve	
2	196159		1	.O-ring	
3	196158		1	.Gasket	
4	196157		1	.Intermediate support	
5	196156		1	.Housing, lower	
6	196155		4	.Screw	
7	196154		2	.Valve housing	
8	196153		2	.O-ring	
9	196152		2	.Spring	
10	196151		2	.O-ring	
11	196150		2	.O-ring	
12	196149		2	.O-ring	
13	196148		1	.O-ring	
14	196146		1	.Cover	
15	196145		2	.Retaining ring	
16	196162		5	.Screw	
17	196164		1	.Filler cap	
18	196163		1	.Housing, upper	
19	196161		2	.O-ring	
21	196172		1	.Shaft	
22	196171		1	.Retaining ring	
23	196170		1	.Spring leg	
24	196169		1	.Spring	
25	196168		1	.Rubber spring	
26	196167		1	.Piston	
27	196166		1	.O-ring	
28	196165		1	.Spring	
29	196179		1	.Upper bar	
30	196178		6	.Spacer	
31	196177		1	.Lower bar	
32	196176		1	.Nut	
33	196175		1	.Cover	
34	196174		1	.Spring	
35	196173		1	.Cover	
36	196185		1	.Pin	
37	196184		1	.Bushing	
38	196183		1	.Pedal	
39	196181		1	.Expanding pin	
40	196180		1	.Protection cap	
41	196182		1	.Buffer	
42	196186		1	Repair kit	
43	196187		1	Repair kit	



Instruction book holder up to SN 22620407, not 402

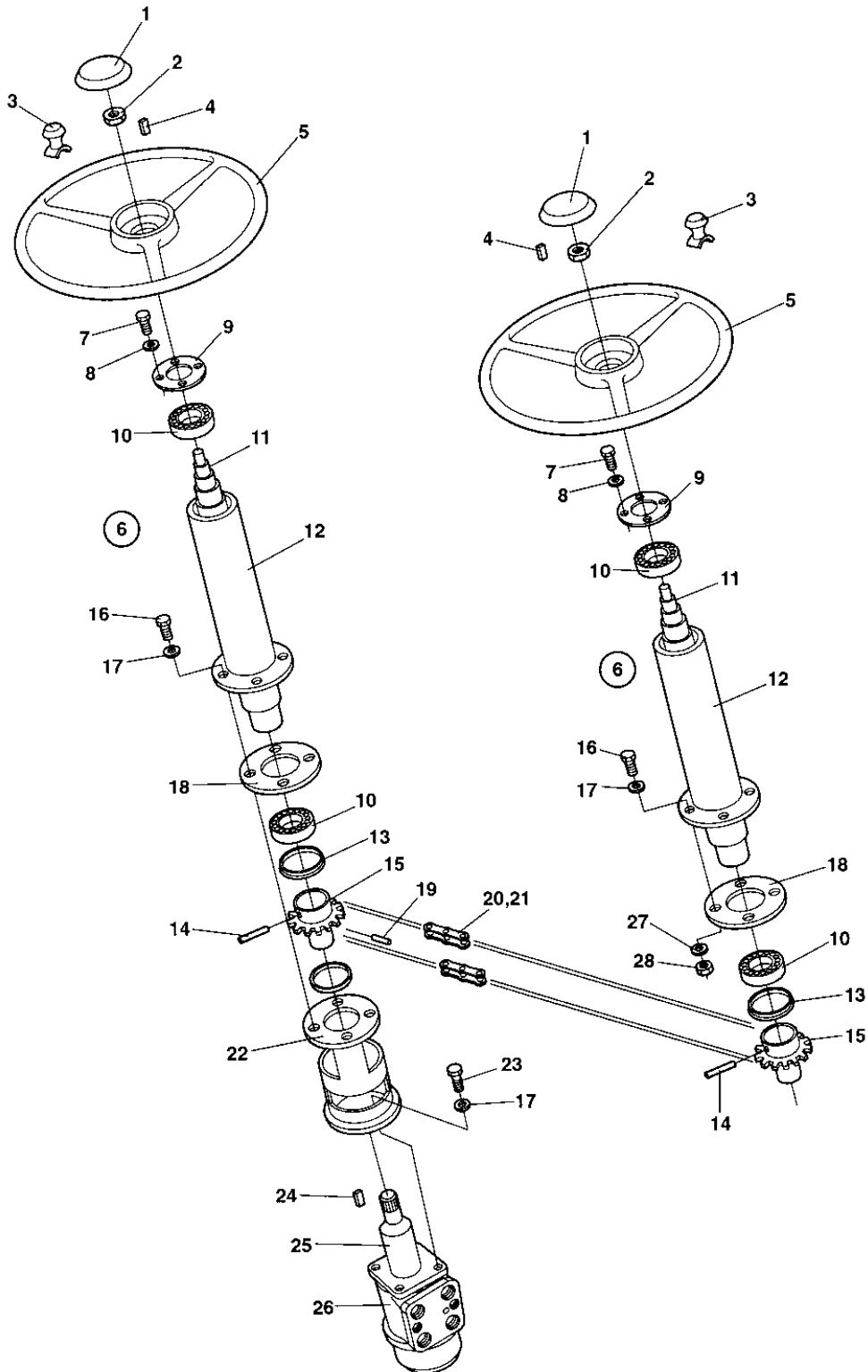
Ref. No.	Part No.	Rem.	Qty	Description	Code
2	357427		1	Cover holder	
3	357425		1	Instruction book holder	
4	624021		4	Pop rivet	
5	902163		2	Parallel pin	
6	357426		1	Cover holder	
7	904697		2	Washer 3,2x6x0,5	
8	902164		2	Screw	
9	904697		1	Washer 3,2x6x0,5	



Instruction book holder from SN 22620408 + 402

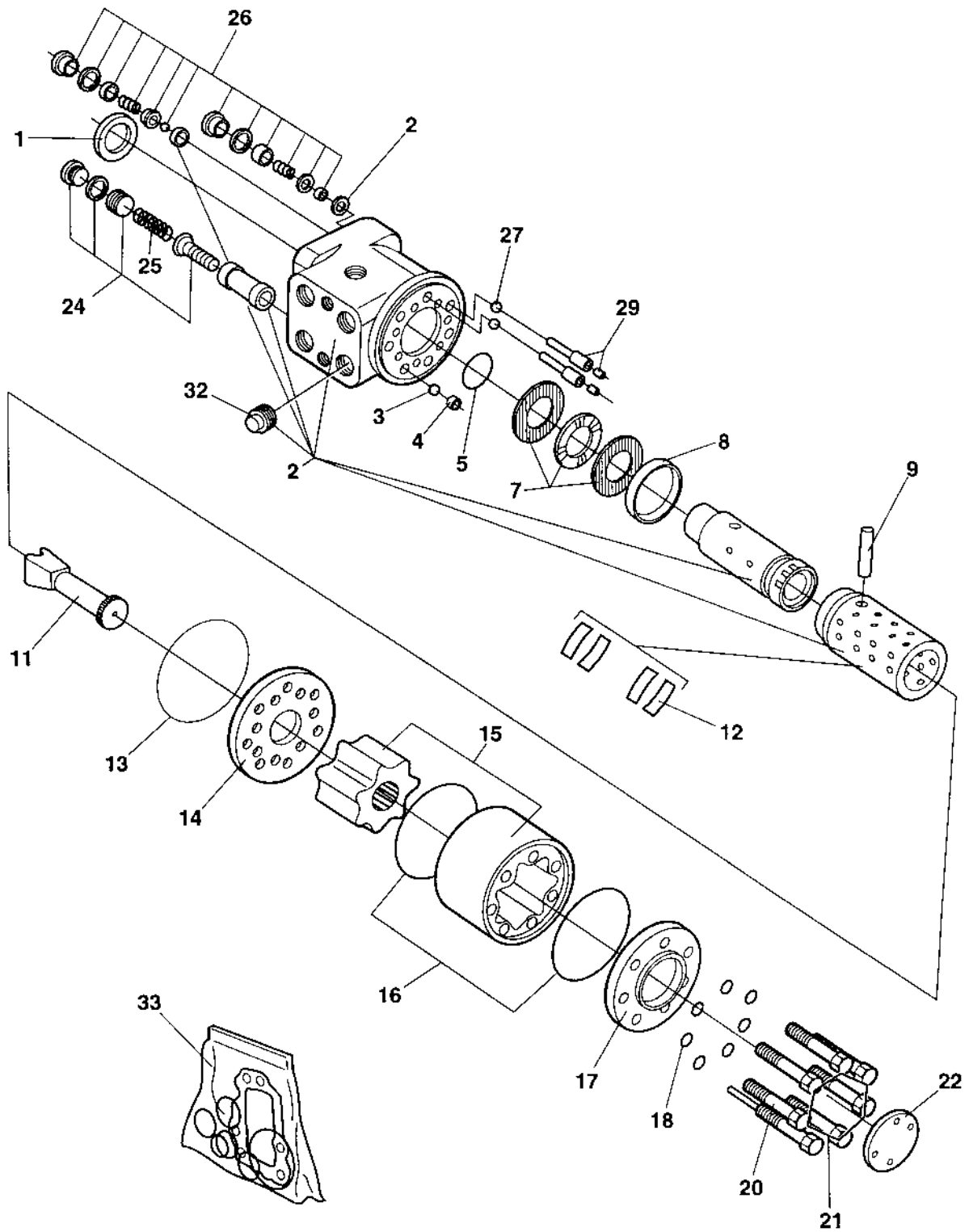
Ref. No.	Part No.	Rem.	Qty	Description	Code
1	383705	A	1	Instruction book holder	
2	791226		4	Screw	
3	357643		1	Wire	

A) In use together with protective plate 385708



## Steering assembly

Ref. No.	Part No.	Rem.	Qty	Description	Code
1	312039		2	Cap	
2	572005		2	Nut	
3	262094		2	Turning knob	
4	250795		2	Key	
5	922624		2	Steering wheel	
6	375483		2	Steering column, cpl	
7	550043		4	.Screw	
8	604002		4	.Washer	
9	250407		1	.Cover bearing	
10	111164		2	.Bearing	D
11	374845		1	.Shaft	
12	263607		1	.Wheel column	
13	151015		1	.Snap ring	
14	926445		1	.Pin	
15	374821		1	.Chain wheel	
16	500030		8	Screw M10-1,5x35H 8,8	
17	600008		12	Washer	
18	263587		2	Shim	
19	516032		1	Stop screw	
20	417068		1	Chain	
21	417037		1	Connecting link	D
22	374822		1	Steering valve bracket	
23	500028		4	Screw M10-1,5x25 8,8	
24	350009		1	Flat key	D
25	370978		1	Linkage shaft	
26	375455		1	Steering valve ( Page 184 )	D
27	615044		4	Conical spring washer	D
28	570006		4	Nut M10	



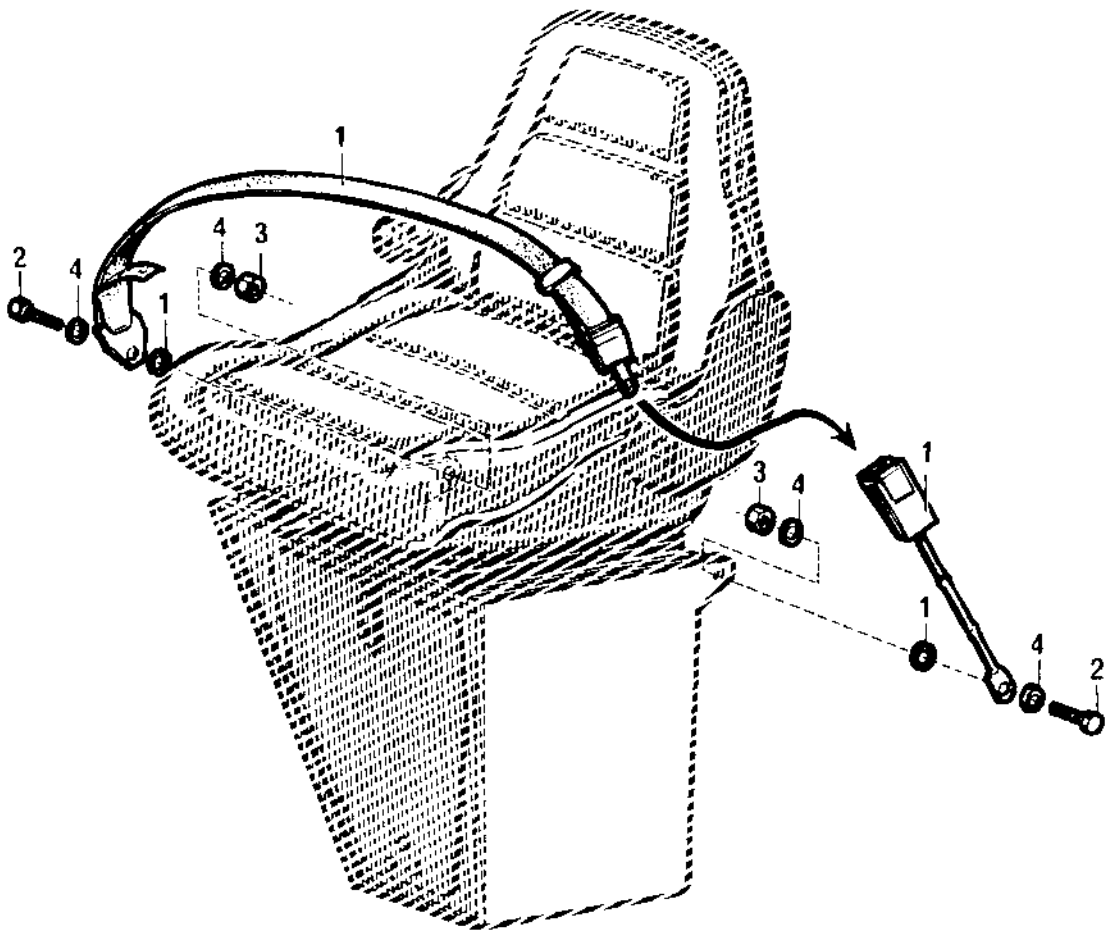


Ref. No.	Part No.	Rem.	Qty	Description	Code
1	936487	A	1	Dust seal ring	
2			1	Housing, spool and sleeve	
3	480468		1	Ball	
4	480446		1	Threaded bushing	D
5	908780	A	1	O-ring	
7	911620		1	Bearing	D
8	480449		1	Ring	
9	480447		1	Cross pin	
11	902861		1	Cardan shaft	
12	911618		1	Spring kit	D
13	936488	A	1	O-ring	
14	902862		1	Valve plate	
15	936489		1	Gear wheel set	
16	936490	A	2	O-ring	
17	480450		1	End cap	
18	936491	A	7	Washer	
20	936492		1	Screw with pin	
21	936493		6	Screw	
22	936494		1	Name plate	
24	929010		1	Relief valve 17,0-17,5MPa	D
25	936495		1	Spring wire	
26	929012		2	Shock valve 22,5-24,0 MPa	
27	929013		2	Ball	
29	929014		2	Rolled pin	
32	908782		1	Valve	
33	908783	B	1	Seal kit	D

- A) Included in kit, item 33  
B) Not included in PN 375455

Safety belt, Only with rops Option

16275

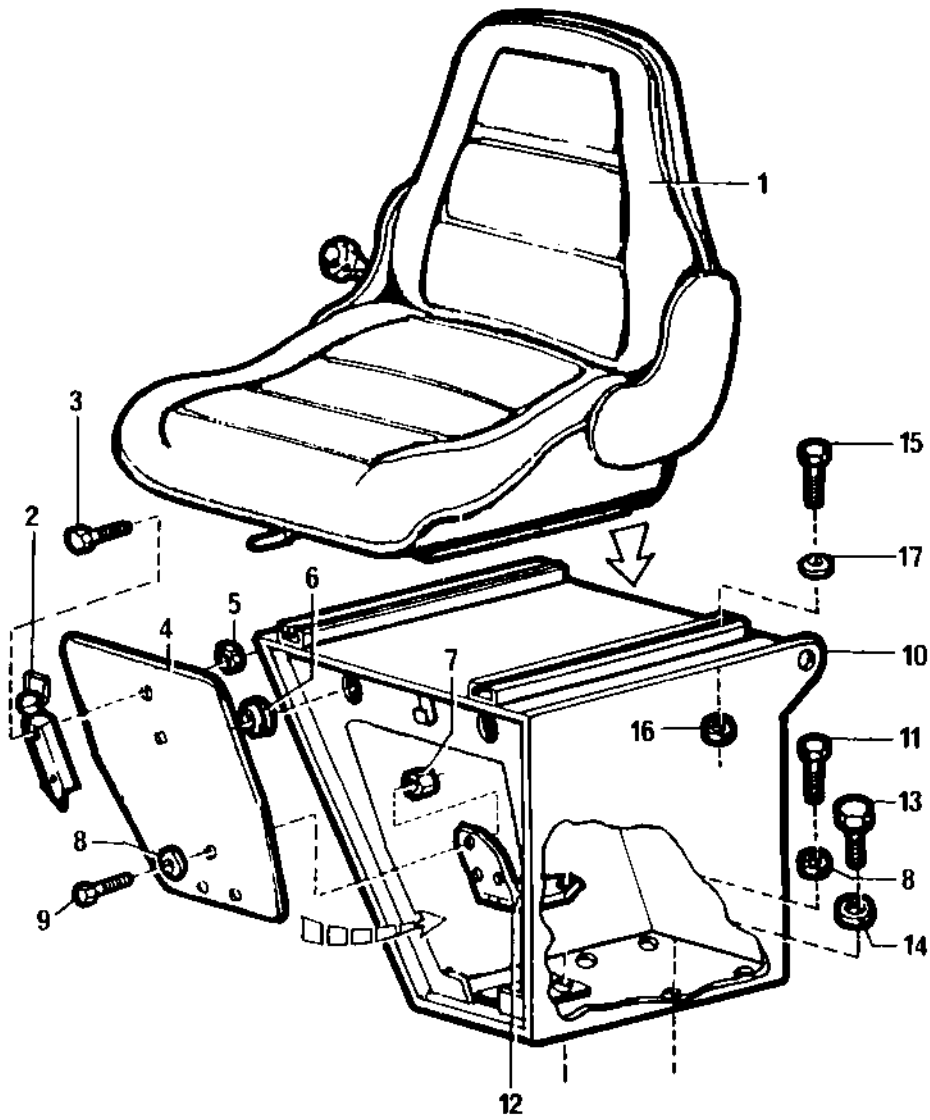


## Safety belt, Only with rops Option

Ref. No.	Part No.	Rem.	Qty	Description	Code
1	370766		2	Safety belt	
	383200	A	2	Safety belt 3"	
2	500028		4	Screw M10-1,5x25 8,8	
3	570006		4	Nut M10	
4	600008		4	Washer	
A)	3", Option				

Seat assembly Without armrests

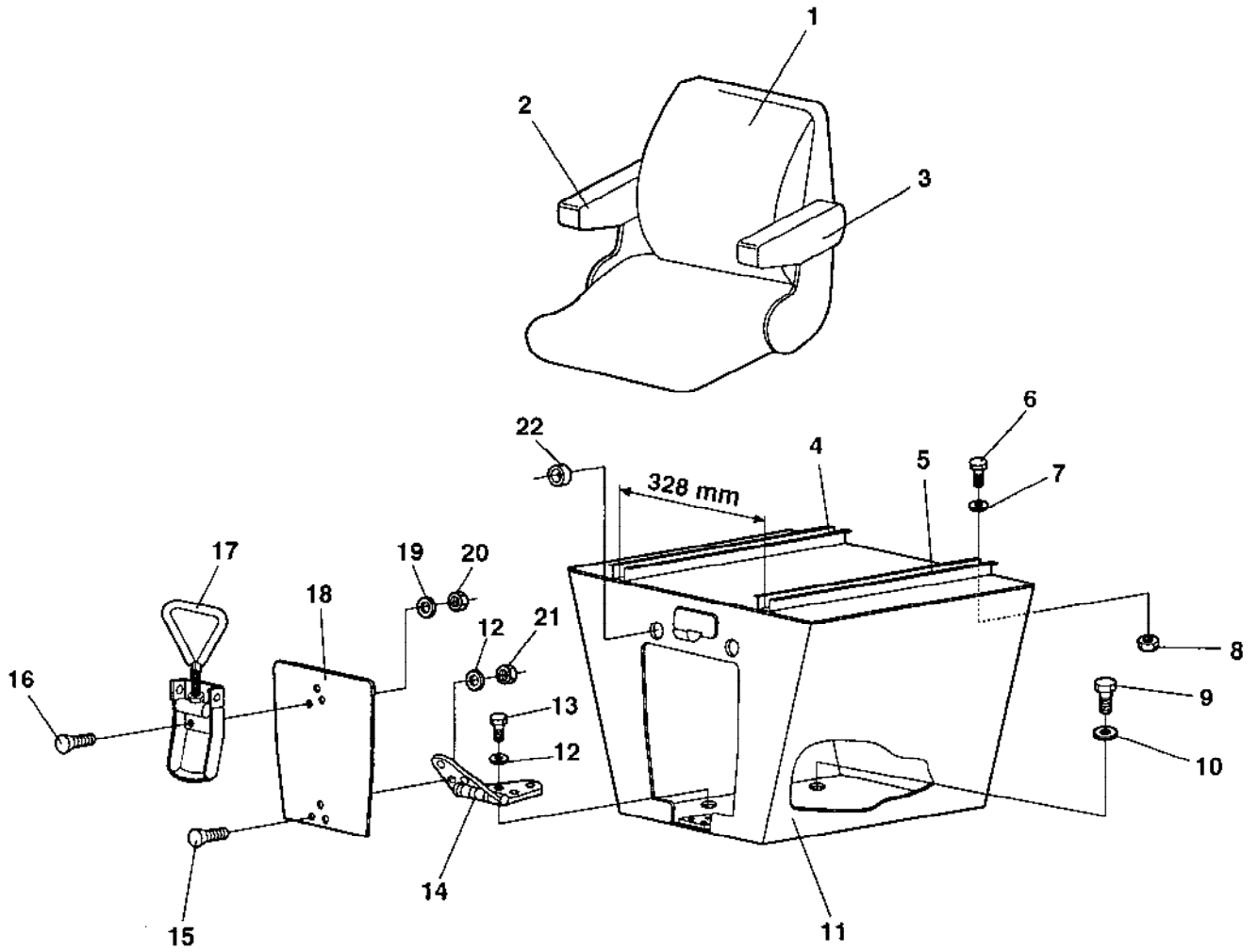
16203-1



**Seat assembly Without armrests**

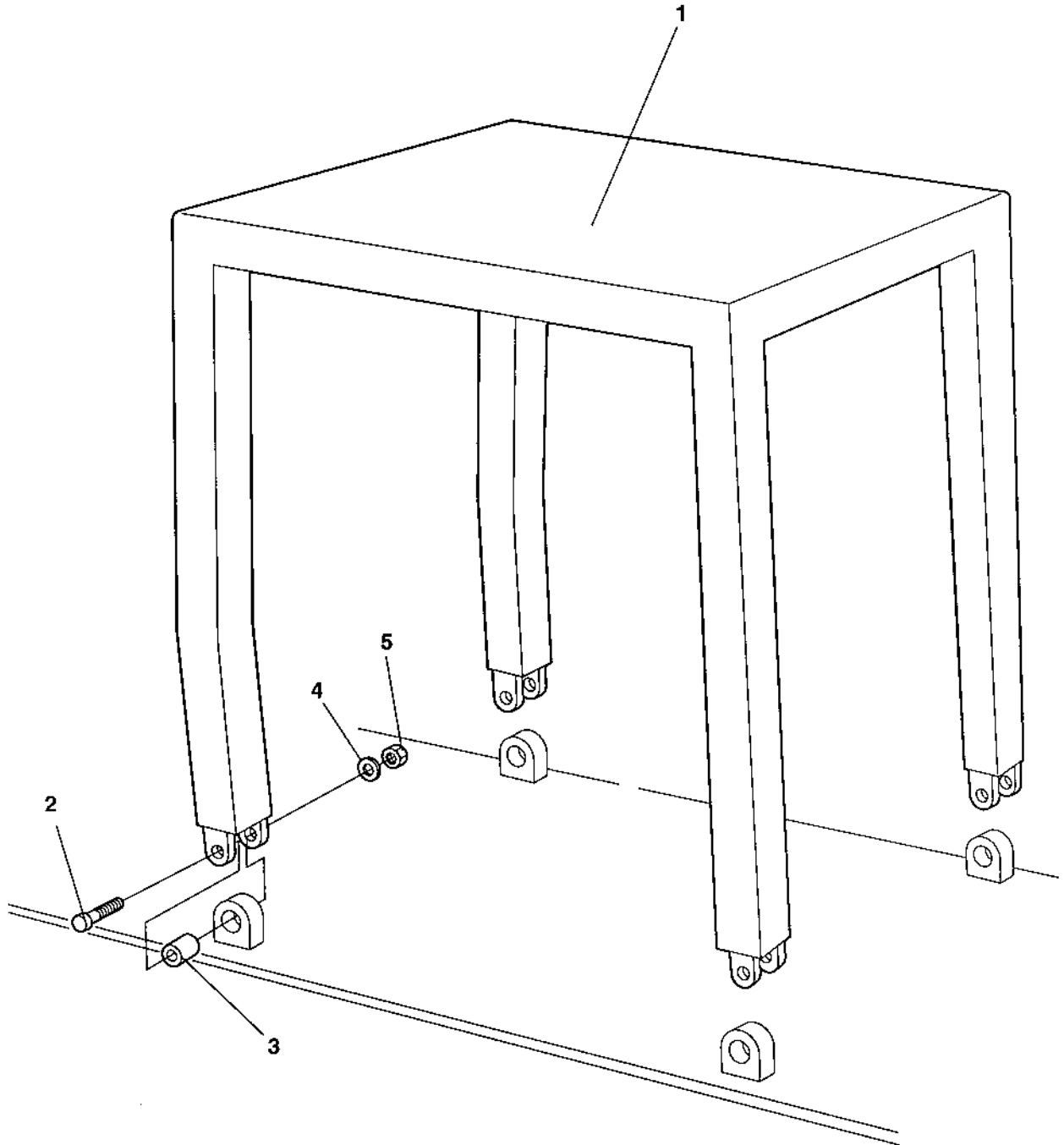
Ref. No.	Part No.	Rem.	Qty	Description	Code
1	247741		1	Drivers seat	
2	262593	A	1	Hook	
	904519	C	1	Eccentric lock	
3	533009	D	2	Screw M4	
	535007	E	3	Screw M5x16	
4	247737	B	1	Protection	
5	570002	D	2	Nut M4	
	586001	E	3	Lock nut M5	
	904281		3	Washer 5,3x10x1	
6	909153		2	Grommet	
7	586002		3	Lock nut M6	
8	904735		6	Washer	
9	500040		3	Screw M6-1x20 8,8	
10	247739		1	Seat frame	
11	500013		3	Screw M6-1x16 8,8	
12	928632		2	Hinge	
13	500051		6	Screw M12-1,75x25 8,8	
14	904231		6	Washer 13x24x2	
15	500021		4	Screw M8-1,25x25 8,8	
16	570005		4	Nut M8	
17	904229		4	Washer 8,4x16x1,5	

- A) Old version with 2 mounting holes, replaced by 904519 with 3 mounting holes. To be interchangeable; new holes needs to be drilled in the old version of 247737, item 4.
- B) New version with 3 mounting holes for item 2, the earlier version with 2 mounting holes was used together with earlier 262593, item 2.
- C) New version with 3 mounting holes
- D) Together with 262593, item 2
- E) Together with 904519, item 2



## Seat assembly With armrests

Ref. No.	Part No.	Rem.	Qty	Description	Code
1	370234		1	Drivers seat	
2	372697		1	.Arm rest	
3	372696		1	.Arm rest	
4	909536		1	.Sliding rail	D
5	909535		1	.Sliding rail	D
6	500053		4	Screw M8-1,25x20 8,8	
7	904229		4	Washer 8,4x16x1,5	
8	570005		4	Nut M8	
9	500051		6	Screw M12-1,75x25 8,8	
10	904703		6	Washer 13x24x4	
11	381748		1	Seat frame	
12	603001		6	Washer	
13	500185		3	Screw M6-1x14 8,8	
14	928632		1	Hinge	
15	500013		3	Screw M6-1x16 8,8	
16	535005		3	Screw M5x12	
17	904519		1	Eccentric lock	
18	247737		1	Protection	
19	904281		3	Washer 5,3x10x1	
20	570003		3	Nut M5	
21	586002		3	Lock nut M6	
22	909153		2	Grommet	



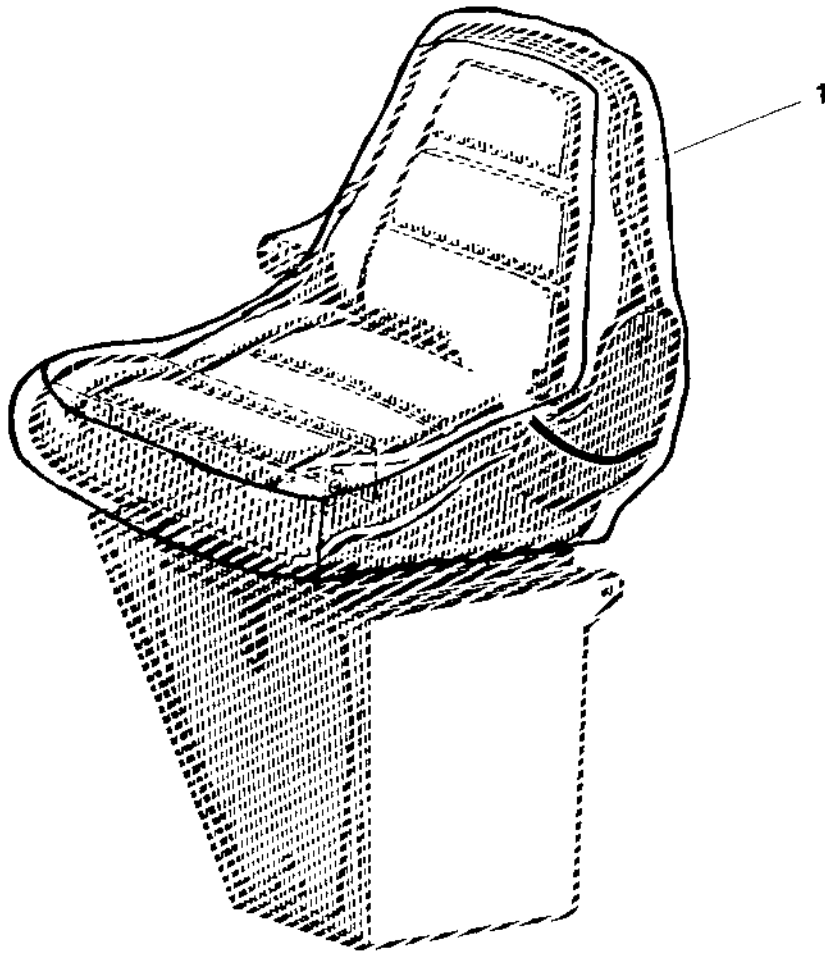


## Rops

Ref. No.	Part No.	Rem.	Qty	Description	Code
1	374919		1	Rops	
2	904437		4	Screw 1-1/8-7 UNCX6"	
3	374906		4	Bushing	
4	604036		4	Spring washer	
5	904436		4	Nut 1-1/8-7 UNC 10.9	

Seat cover

16279



## Seat cover

Ref. No.	Part No.	Rem.	Qty	Description	Code
1	348331		1	Seat cover	D

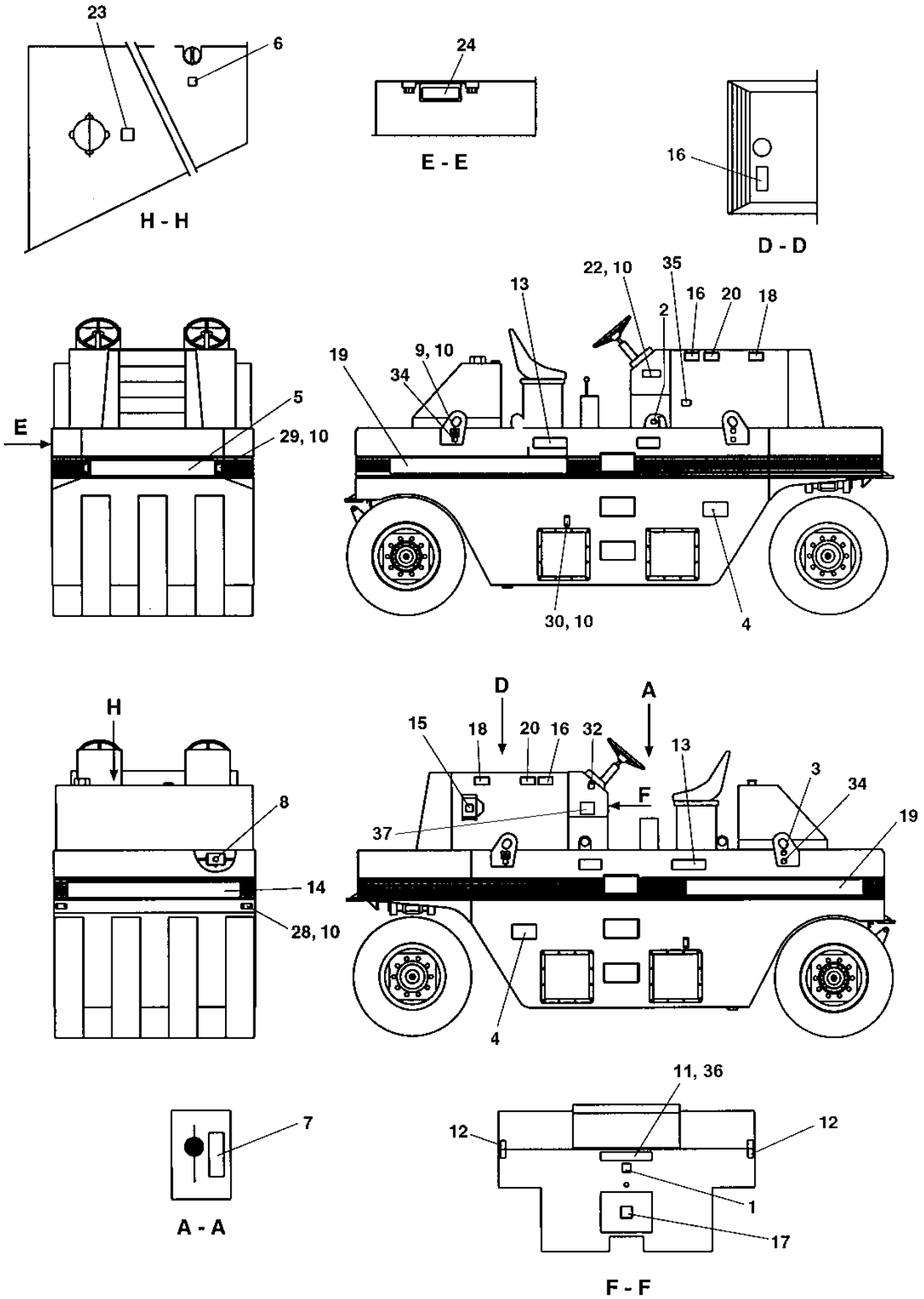


## Decals

Ref. No.	Part No.	Rem.	Qty	Description	Code
10				Decals up to SN 22620384 ( Page 252 )	
20				Decals from SN 22620385 ( Page 254 )	

Decals up to SN 22620384

17446-1



## Decals up to SN 22620384

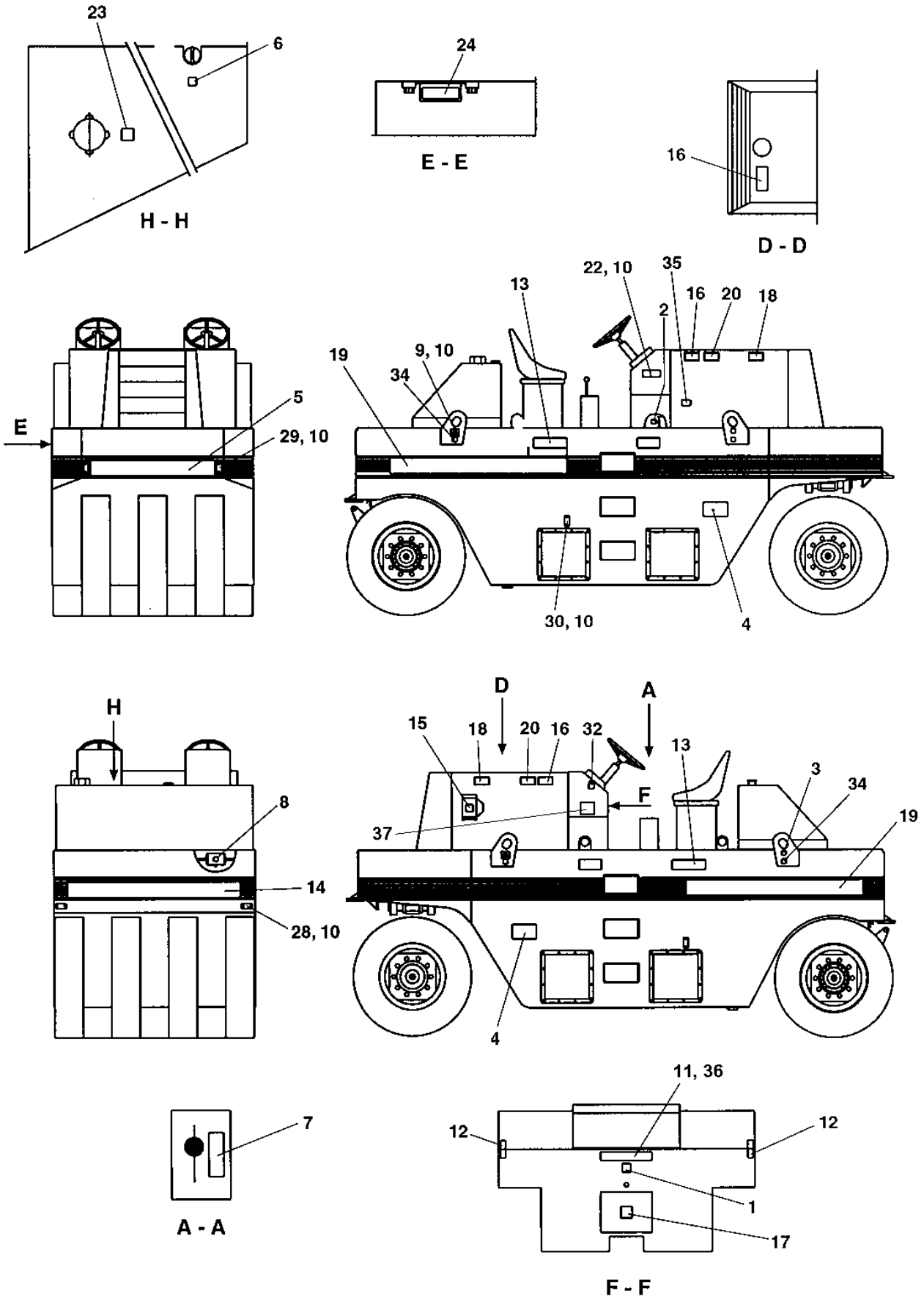
Ref. No.	Part No.	Rem.	Qty	Description	Code
1	374765		1	Decal "TYRE PRESSURE"	
2	259804		1	Decal "OIL LEVEL"	
3	588176		4	Decal "LIFT POINT"	
4	903422		2	Decal "SAFETY"	
5	904094		1	Decal "DYNAPAC" L=670 mm	
6	991658		1	Decal "FUEL"	
7	249007		1	Decal "GEAR"	
8	193082		1	Decal "DRAIN"	
9	343017		2	Lifting sign	
10	624016	A	12	Blind rivet Up to 22620384	
	624015	B	24	Blind rivet 4,0x8,5 From 22620385	
11	349248SE		1	Decal "WARNING" Swedish	
	349248EN		1	Decal "WARNING" English	
	349248DE		1	Decal "WARNING" German	
	349248IT		1	Decal "WARNING" Italian	
	349248ES		1	Decal "WARNING" Spanish	
	349248FR		1	Decal "WARNING" French	
	349248NO		1	Decal "WARNING" Norwegian	
	349248DK		1	Decal "WARNING" Danish	
	349248FI		1	Decal "WARNING" Finnish	
	349248PT		1	Decal "WARNING" Portuguese	
	349248NL		1	Decal "WARNING" Dutch	
	349248GR		1	Decal "WARNING" Greek	
	349248IS		1	Decal "WARNING" Icelandic	
	349248CN		1	Decal "WARNING" Chinese	
12	991650		2	Decal "DIRECTION"	
13	192253		2	Decal "MODEL CODE"	
14	904093		1	Decal "DYNAPAC" L=1010 mm	
15	272372		1	Decal "HYDRAULIC OIL"	
16	903424		3	Decal "HOT SURFACE"	
17	903425		1	Decal "SAFETY MANUAL"	
18	903423		2	Decal "SAFETY"	
19	904098		2	Decal "DYNAPAC" L=1350 mm	
20	903832		2	Safety decal	
21	903459		2	Decal "SAFETY"	
22	960787		1	Product identif. decal "Dynapac"	
23	991657		1	Decal "WATER"	
24	193083		1	Decal "DRAIN"	
28	929076		2	Reflector, red From 22620385	B
29	383860		2	Reflector, white From 22620385	B
30	383859		2	Reflector, yellow From 22620385	B
32	358881		5	Pad lock	
34	382751		4	Decal "TIE DOWN POINT" From 22620385	
35	904835		1	Decal "BATTERY POWER" From 22620385	
36	624017		2	Blind rivet From 22620385	
37	791276		1	Decal "Sound power level" 106dB From 22620385	

A) Diameter= 3,2 mm

B) Diameter= 4 mm

Decals from SN 22620385

17446-1





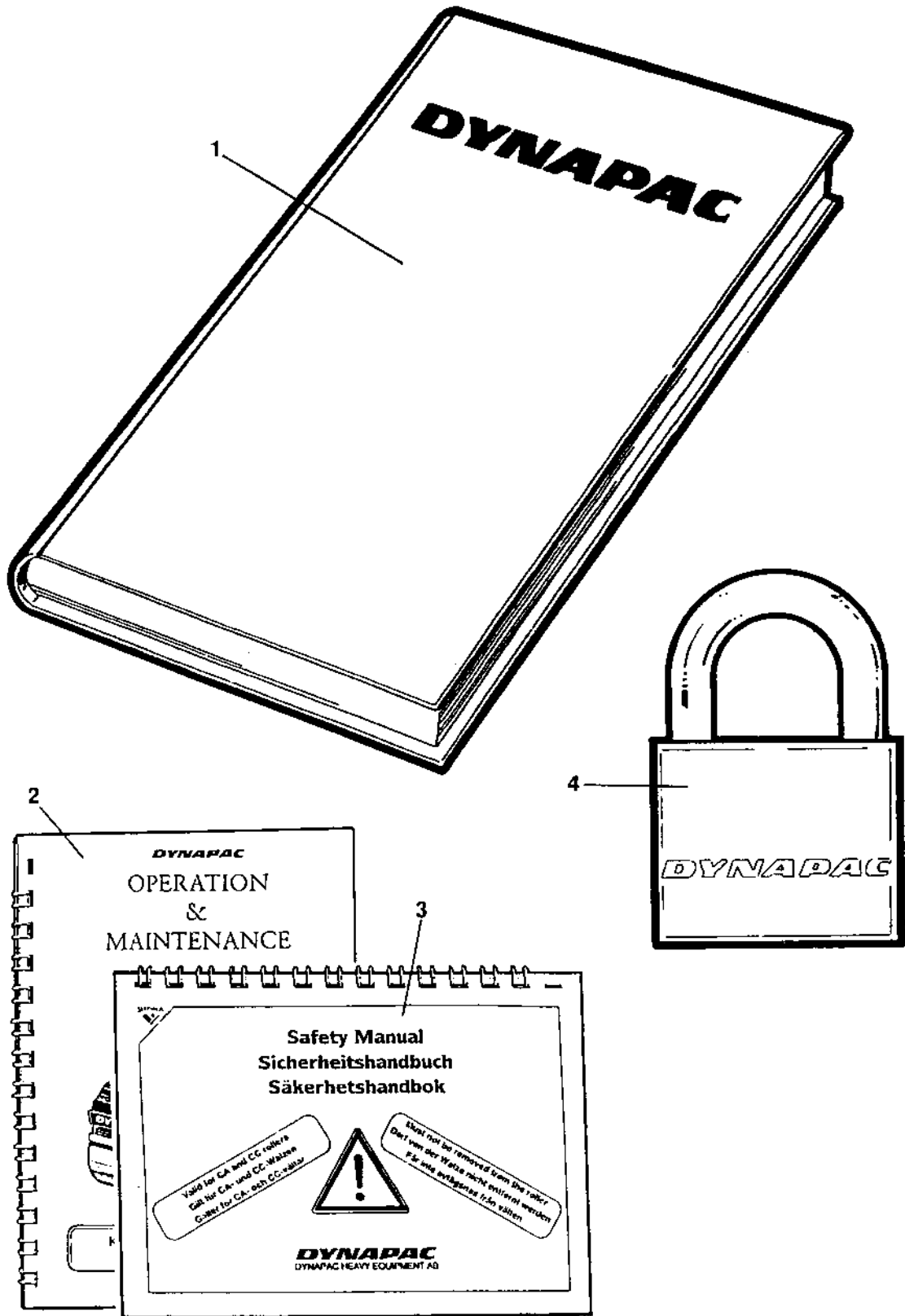
## Decals from SN 22620385

Ref. No.	Part No.	Rem.	Qty	Description	Code
1	374765		1	Decal "TYRE PRESSURE"	
2	259804		1	Decal "OIL LEVEL"	
3	588176		2	Decal "LIFT POINT"	
4	903422		2	Decal "SAFETY"	
5	904094		1	Decal "DYNAPAC" L=670 mm	
6	991658		1	Decal "FUEL"	
7	249007		1	Decal "GEAR"	
8	193082		1	Decal "DRAIN"	
9	904870	A	2	Lifting sign	
10	624015		24	Blind rivet 4,0x8,5	
11	386084SE		1	Warning plate Swedish	
	386084EN		1	Warning plate English	
	386084DE		1	Warning plate German	
	386084IT		1	Warning plate Italian	
	386084ES		1	Warning plate Spanish	
	386084FR		1	Warning plate French	
	386084NO		1	Warning plate Norwegian	
	386084DK		1	Warning plate Danish	
	386084FI		1	Warning plate Finnish	
	386084PT		1	Warning plate Portuguese	
	386084NL		1	Warning plate Dutch	
	386084GR		1	Warning plate Greek	
	386084IS		1	Warning plate Icelandic	
	386084CN		1	Warning plate Chinese	
	386084BR		1	Warning plate Brazil	
12	991650		2	Decal "DIRECTION"	
13	192253		2	Decal "MODEL CODE"	
14	904093		1	Decal "DYNAPAC" L=1010 mm	
15	272372		1	Decal "HYDRAULIC OIL"	
16	903424		3	Decal "HOT SURFACE"	
17	903425		1	Decal "SAFETY MANUAL"	
18	903423		2	Decal "SAFETY"	
19	904098		2	Decal "DYNAPAC" L=1350 mm	
20	903832		2	Safety decal	
21	903459		2	Decal "SAFETY"	
22	960787		1	Product identif. decal "Dynapac"	
23	991657		1	Decal "WATER"	
24	193083		1	Decal "DRAIN"	
28	929076		2	Reflector, red	B
29	383860		2	Reflector, white	B
30	383859		2	Reflector, yellow	B
32	358881		5	Pad lock	
34	382751		4	Decal "TIE DOWN POINT"	
35	904835		1	Decal "BATTERY POWER"	
36	624017		2	Blind rivet	
37	791276		1	Decal "Sound power level" 106dB	

A) Replaces earlier used 343017



Ref. No.	Part No.	Rem.	Qty	Description	Code
1				Standard equipment ( Page 258 )	

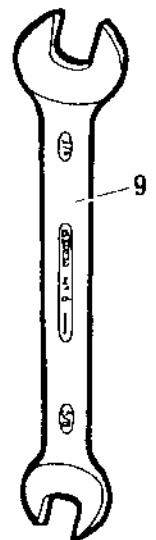
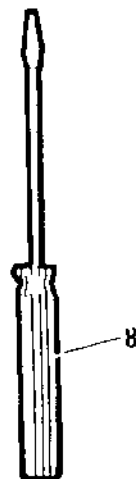
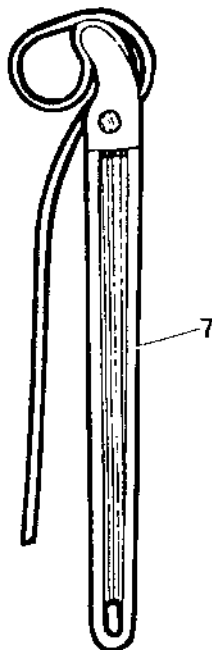
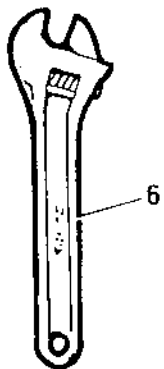
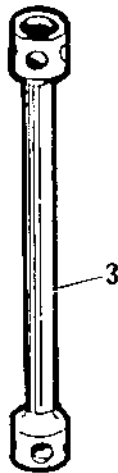
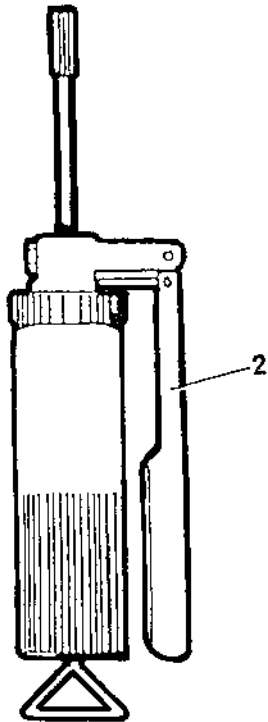
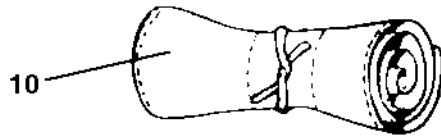


Ref. No.	Part No.	Rem.	Qty	Description	Code
1			1	Documentation, cpl. OMS221xx	
			1	.Warranty registration card	
			1	.Operating instruction O221xx	
			1	.Maintenance instruction M221xx	
			1	.Spare parts catalogue SCP221-xxxx	
2			1	.Operating / maintenance instruction OM221xx	
3			1	.Safety manual RSAFExx	
4	358881		5	Pad lock	



Ref. No.	Part No.	Rem.	Qty	Description	Code
10				Tool equipment ( Page 262 )	
30				Canopy with glass fibre ( Page 264 )	
40				Cab assembly mounting ( Page 266 )	
50				SMV sign ( Page 268 )	
60				Protecting cover ( Page 270 )	

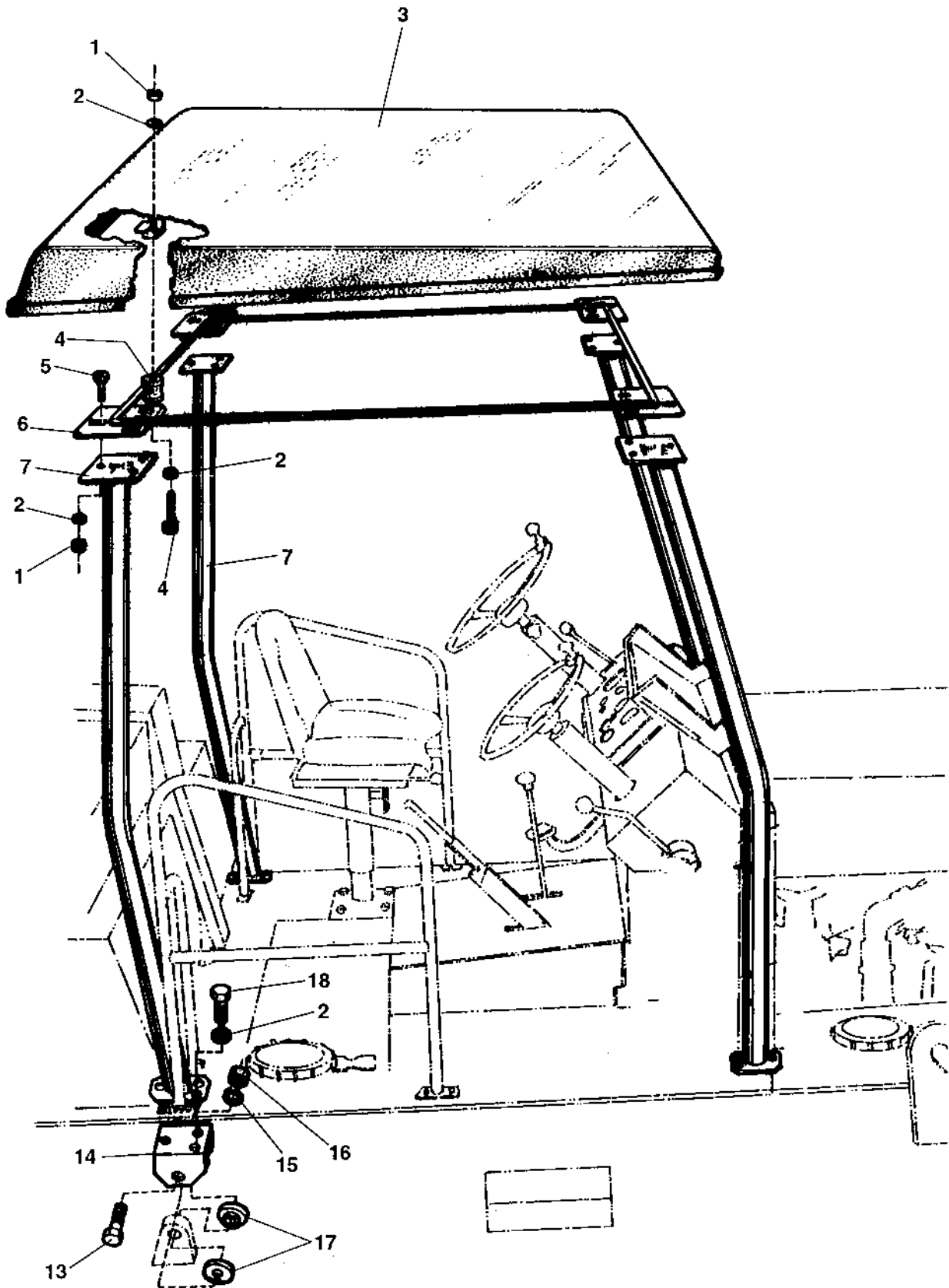
①





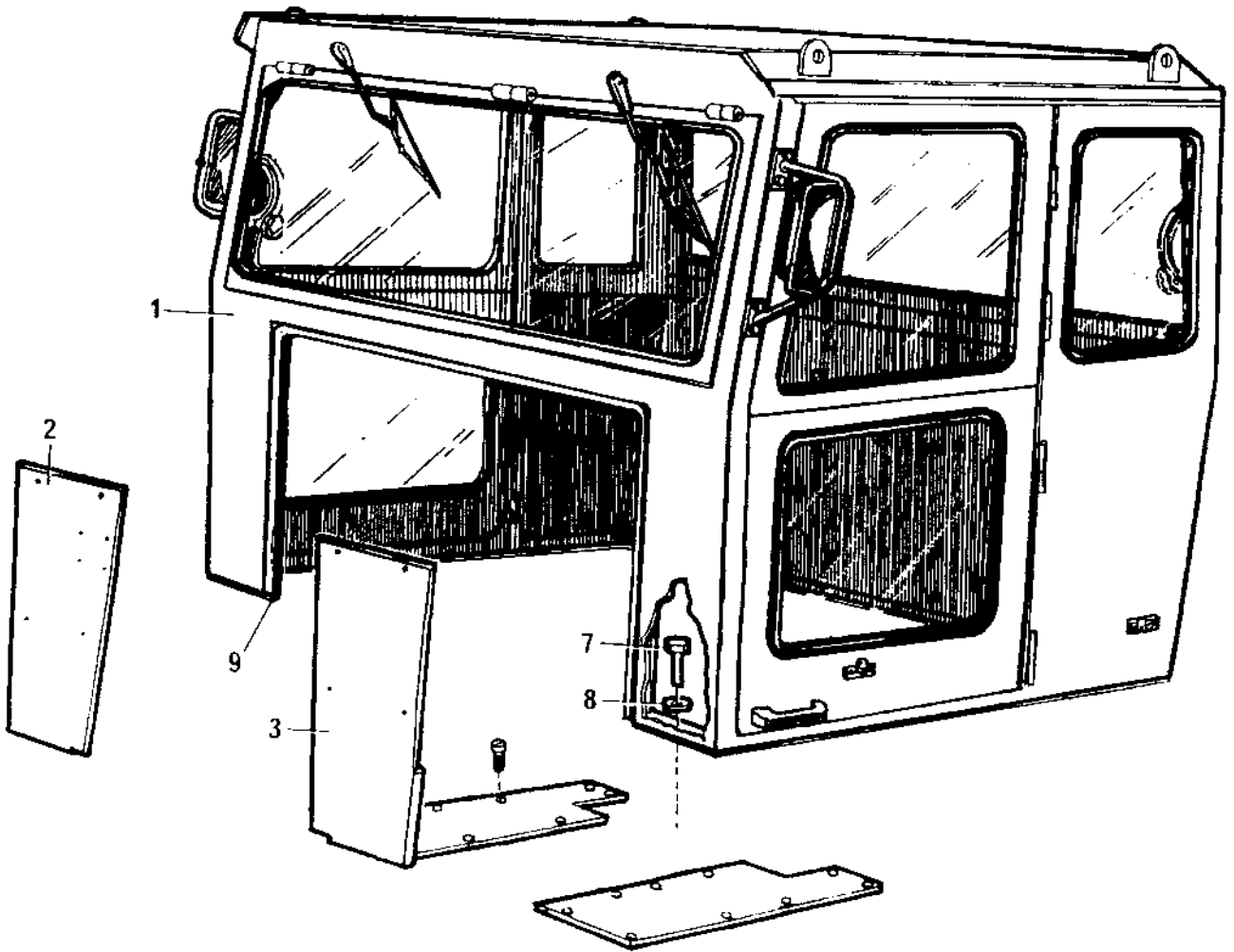
## Tool equipment

Ref. No.	Part No.	Rem.	Qty	Description	Code
1	268964		1	Tool kit	
2	311016		1	.Grease gun	
3	268964016		1	.Wheel nut key	
4	928348		1	.Lever	
5	268964017		1	.Ball pan hammer	
6	485011		1	.Adjustable wrench	
7	485075		1	.Strap spanner	
8	268964001		1	.Screw driver 1/8" x 3"	
	268964002		1	.Screw driver 1/8" x 5"	
	268964003		1	.Screw driver 1/4" x 8"	
	268964004		1	.Screw driver 3/8" x 12"	
9	268964005		1	.Open end spanner 10x11	
	268964006		1	.Open end spanner 12x13	
	268964007		1	.Open end spanner 16x17	
	268964008		1	.Open end spanner 18x19	
	268964009		1	.Open end spanner 24x26	
	268964010		1	.Open end spanner 27x32	
10	277992		1	.Tool bag	



Ref. No.	Part No.	Rem.	Qty	Description	Code
1	586018		20	Lock nut M10	
2	904230		32	Washer 10,5x22x2	
3	266967		1	Roof	
4	450089		4	Shock absorber	D
5	500030		12	Screw M10-1,5x35H 8,8	
6	266965		1	Frame	
7	266968		4	Column	
13	929162		4	Screw full thread	
14	192768	A	2	Bracket	
	192769	B	2	Bracket	
15	615046		4	Conical spring washer	
16	570008		4	Nut	
17	192770		8	Spacer	
18	500028		12	Screw M10-1,5x25 8,8	

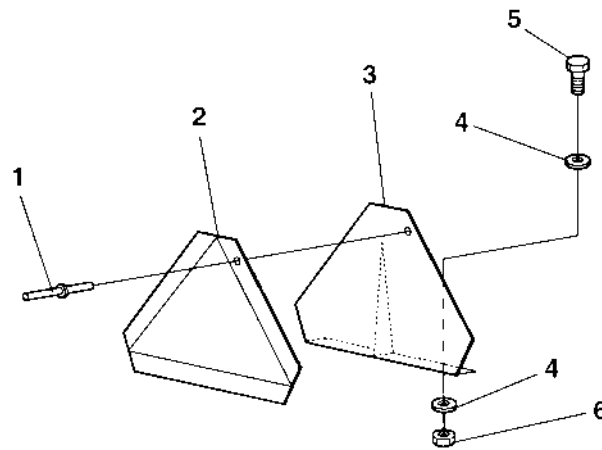
- A) Rear
- B) Front



## Cab assembly mounting

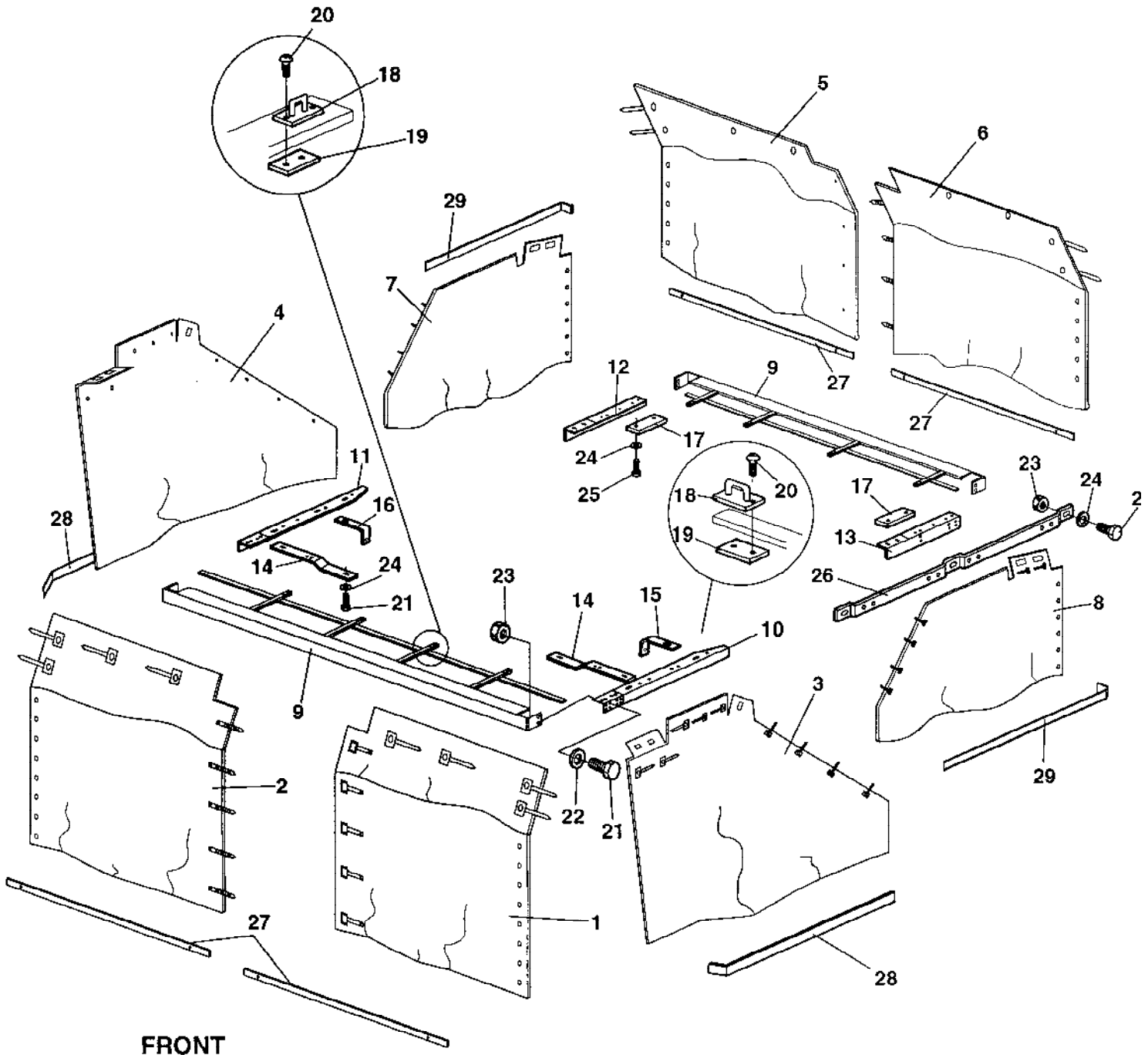
Ref. No.	Part No.	Rem.	Qty	Description	Code
1	264941		1	Cab, cpl	
2	193893		1	Cover	
3	193894		1	Cover	
7	500039		10	Screw	
8	600017		10	Washer	
9	202028	A	1	Edge trim	

A) L=1000 mm



## SMV sign

Ref. No.	Part No.	Rem.	Qty	Description	Code
1	624011		6	Pop rivet	
2	476019		1	SMV sign	D
3	381532		1	Sign holder	
4	904229		4	Washer 8,4x16x1,5	
5	500021		2	Screw M8-1,25x25 8,8	
6	570005		2	Nut M8	





## Protecting cover

Ref. No.	Part No.	Rem.	Qty	Description	Code
1	381070		1	Protecting cover, Front	
2	381071		1	protection cover, Front	
3	381072		1	protection cover, Front left	
4	381073		1	Protecting cover, Front right	
5	381257		1	Protecting cover, rear	
6	381256		1	Protecting cover, rear	
7	381074		1	Protecting cover, rear right	
8	381075		1	Protecting cover, rear left	
9	381138		2	Protection cover stretcher	
10	381077		1	Protection cover stretcher	
11	381076		1	Protection cover stretcher	
12	380865		1	Cover stretcher	
13	380866		1	Cover stretcher	
14	381086		2	Bracket	
15	381085		1	Bracket	
16	381084		1	Bracket	
17	381133		2	Spacer	
18	901634		56	Retainer	
19	372265		56	Bracket	
20	904653		112	Screw	
21	500028		14	Screw M10-1,5x25 8,8	
22	904230		26	Washer 10,5x22x2	
23	586018		36	Lock nut M10	
24	904557		54	Washer 10,5x22x4	
25	500030		25	Screw M10-1,5x35H 8,8	
26	382561		6	Cover stretcher	
27	381271		4	Protection cover anchor	
28	381272		2	Protection cover anchor	
29	381273		2	Protection cover anchor	



Part Number	Page	Part Number	Page	Part Number	Page
111164	237	192273	87	193711	121
116006	29	192284	57	193712	121
116009	31	192303	201	193713	121
116016	31	192304	201	193714	123
116018	33	192306	203	193715	123
116031	29	192307	203	193716	125,163
134051	33	192308	201	193719	127
135011	31	192309	201	193893	267
136011	31	192310	201	193894	267
136021	33	192312	201	193930	201
150038	33	192313	201	194178	183
151015	237	192314	201	194212	51
160013	189,197	192343	63	194333	201
160032	189	192501	93	194339	183
160033	189	192655	171	194362	49
160092	69	192768	265	194365	53
161084	33	192769	265	194366	51
162004	75	192770	265	194367	53
162019	59,61	192793	221	194371	61
	65,67	192803	51	194372	61
163105	69	192804	51	194401	55
163108	31	192824	57	194402	55
190886	49	192825	57	194407	59
191511	11	192833	25	194408	59
191533	55,57	192894	201	194410	55
191541	207	192895	203	194802	61
191623	69	192914	69	194803	61
191667	87	192938	11	195034	37,173
191766	209	192939	11	195045	201
191783	89	192940	11	195054	49
191787	183,191	192941	11	195150	171
191788	183	192995	25	195152	175,177
191789	89	193045	127,165	195172	51
191790	89			195176	27
191792	89	193053	203	195177	37
191799	87	193082	253	195178	37
191802	87	193083	253	195180	37
191803	87	193092	87	195181	37
191804	87	193093	21	195182	37
191805	87	193103	21	195233	175
191806	87	193109	89	195236	175,179
191808	87	193659	101,137	195314	179
191824	93	193660	101	195315	179
191883	91	193661	101	195355	11
191885	7	193662	101	195356	11
191921	51	193663	101	195359	11
191927	51	193664	101,123	195364	7
191934	61		161	195372	173
191935	61	193665	101	195414	41,43
191936	61	193666	101		45
191937	61	193667	103	195689	171
191947	9	193669	103	195690	171
191959	9	193670	103	195691	171
191973	229	193673	105	195692	171
191996	87	193674	107	195693	171
191999	219,223	193676	107	195694	171
		193677	107,143	195695	171
192011	9	193678	111	195696	171
192018	219	193679	111	195697	171
192026	219	193680	111,149	195698	171
192032	93,201	193683	113,153	195699	173
192105	219	193684	113	195700	171
192111	217	193685	113,117	195701	171
192112	217		151	195702	171
192114	219	193686	113,115	195703	171
192115	219		121,157	195704	171
192127	217		159	195705	171
192135	209,211	193687	113	195706	171
192144	217	193699	115	195707	171
192171	25	193700	115	195708	171
192172	25	193701	115	195709	171
192174	25	193702	115	195710	171
192188	183	193703	115	195711	171
192223	183	193707	119	195712	171
192245	51	193708	119	195713	171
192253	253,255	193709	119,155	195714	171
192255	191	193710	121	195715	171

Part Number	Page	Part Number	Page	Part Number	Page
195716	171	196177	231	240601	113
195717	171	196178	231	240602	113
195718	171	196179	231	240603	121
195719	171	196180	231	240604	115
195720	171	196181	231	240605	101
195721	171	196182	231	240606	101
195722	171	196183	231	240607	127
195723	171	196184	231	240608	127
195724	171	196185	231	240609	127
195725	171	196186	231	240610	127
195726	173	196187	231	240611	127
195729	173	196586	59	240612	107
195730	173	197901	55	240613	107
195731	173	202028	25	240614	107
195733	173	202046	23	240615	103
195734	173	202057	37	240616	103
195735	173	212373	87	240618	101
195736	173	230055	53	240620	113
195737	173	230322	51	240621	115
195738	173	230469	21	240622	101
195739	173	230520	63	240623	109
195740	173	230524	51	240624	115
195741	173	230543	21	240625	113
195742	173	231192	51	240626	113
195749	179	231193	51	240627	103
195758	229	232046	7	240629	109
195777	69	232052	59	240630	121
195778	59	232078	51	240632	125
195779	229,231	232143	61	240634	101
195810	59	232160	183	240636	117
195811	59	232166	23	240637	117
195812	61	234317	21	240638	113
195813	59	234341	69	240639	113
195814	51	234365	69	240640	113
195816	61	234659	69	240641	115
195828	59	234667	69	240642	113
195831	59	234729	51	240643	121
195832	59	234867	89	240645	101
195833	61	234941	183	240647	125
195834	59	240154	23	240648	127
195838	59	240264	51	240649	113
195839	61	240297	69	240650	113
195842	69	240519	201	240651	113
195915	61	240558	111	240653	117
195931	59	240560	101,135	240655	113
195932	61	240561	103	240656	101
195935	209	240562	125	240659	121
196145	231	240563	101	240660	111
196146	231	240565	123	240661	111
196148	231	240566	123	240662	111
196149	231	240567	119	240663	109
196150	231	240568	125	240664	111
196151	231	240570	121	240665	107
196152	231	240573	107	240666	107
196153	231	240574	107	240667	101
196154	231	240576	107	240669	119
196155	231	240579	119	240673	119
196156	231	240580	101	240674	127
196157	231	240581	121	240675	101
196158	231	240582	101	240677	109
196159	231	240583	101	240679	107
196161	231	240584	107	240680	107
196162	231	240585	113	240681	115
196163	231	240586	109,147	240682	103
196164	231			240683	107
196165	231	240587	111	240685	127
196166	231	240588	111	240686	103
196167	231	240590	121	240688	103,145
196168	231	240591	115	240690	145
196169	231	240592	115	240691	117
196170	231	240593	113	240695	117
196171	231	240594	101	240696	107
196172	231	240595	103,139	240697	113
196173	231	240596	113	240701	107
196174	231	240598	127	240716	101
196175	231	240599	127	240720	127
196176	231	240600	113	240721	105

Part Number	Page	Part Number	Page	Part Number	Page
240728	121	257029	47	268964009	263
240729	107	257139	187,195	268964010	263
240759	201	257985	53	268964016	263
240908	89	257987	51	268964017	263
241431	183	257988	51	269137	55
241753	21	258015	61	269482	41
241846	183	258307	87	272372	253
241848	183	258333	21	277992	263
242018	21	258340	23	281382	219
242030	183	258729	31	281628	69
242122	23	258870	201	297018	23
242175	183	259088	33	310028	179
242480	171	259089	41	310037	29
242492	171	259211	31	311016	263
242493	171	259215	187	312023	219
242500	171	259219	33,35	312035	219
242514	201	259225	21	312039	237
242614	89	259226	21	313001	93
244034	183	259245	51	313002	21
244054	21	259246	51	313004	69
244057	21	259261	219	313006	183
246068	89	259269	219	313010	89
246072	69	259349	31	313023	89
246947	37	259361	29	313033	91
247151	51	259804	253	313035	89
247152	51	259933	201	313038	91
247153	51	261490	33	313041	201
247154	51	261658	41	313068	201
247638	207	261659	41	313108	89
247737	243,245	262091	51	313112	95
247739	243	262092	51	330171	93
247741	243	262094	237	330328	59
248035	209	262593	243	330330	61
248271	207	263100	35	330331	87
248491	21	263587	237	330333	51
248511	21	263607	237	331006	21
248513	21	263614	21	331015	21
248765	25	263763	17	331032	21
249007	253	263771	17	331092	21
249273	69	263772	17	332038	75
249377	201	263774	17	333041	21
249593	89	264039	93	333053	49
249865	9	264237	7	333062	49
249993	87	264238	7	333067	49
250070	201	264475	219	333228	7
250137	217	264941	267	334116	183
250407	237	265215	201	334117	69
250658	41	265231	209	334121	183
250795	237	265232	209	334132	89
251722	15,19	265244	209	334135	183
251729	13,17	265753	7	334137	183
		265909	89	334143	75
252668	31	266221	49	334155	191
252914	173	266625	209	334157	89
253007	51	266965	265	334172	93
253745	33	266967	265	334196	69
253747	33	266968	265	334197	69
253929	29	267465	87	334204	183
253931	29	267587	171	334410	87
254030	29	267660	15	334556	75
254032	29	267661	13	334603	53
254075	21	267791	17	343017	253
254086	53	268154	175	343369	201
254088	33	268419	33	343775	13
254089	29	268608	21	344389	201
254750	29	268816	171	347241	201
254909	219	268851	183	348331	249
255173	13	268920	51	349248CN	253
255658	31	268964	263	349248DE	253
255907	49	268964001	263	349248DK	253
256127	31	268964002	263	349248EN	253
256157	31	268964003	263	349248ES	253
256159	31	268964004	263	349248FI	253
256422	29	268964005	263	349248FR	253
256485	61	268964006	263	349248GR	253
256860	21	268964007	263	349248IS	253
257028	47	268964008	263	349248IT	253

**DYNAPAC**  
**NUMERICAL INDEX**

**SCP221-2EN5**

**Dynapac Compaction Equipment AB**

Part Number	Page	Part Number	Page	Part Number	Page
349248NL	253	375517	7	383859	253
349248NO	253	375518	7	383860	253
349248PT	253	375519	7	383963	201
349248SE	253	375529	9	384385	167,169
350009	237	375567	21		227
350082	33	375582	9	384386	167
357425	233	376059	187	384452	65
357426	233	376273	221	384453	55
357427	233	376357	13	384571	75,77
357643	235	376375	17	384572	79,81
358254	13	376387	9	384573	79
358846	21	376392	93	384575	75
358881	209,259	376465	33	384576	75
359043	221	380063	219	384577	75
370234	245	380064	221,225	384614	55
370766	241	380187	33	384615	49
370978	237	380239	69	384861	177
372265	271	380242	69	384953	221
372696	245	380251	53	385708	9
372697	245	380253	69,71	385744	25
373304	21	380392	219	385745	25
373955	9	380406	69	385752	25
374411	217	380428	13	385753	25
374541	87	380430	13	385754	25
374727	91	380432	13	385780	25
374745	91	380444	91	385781	25
374754	93	380453	219	385975	95
374755	93	380466	219	386084BR	255
374761	93	380467	219	386084CN	255
374762	93	380475	69,73	386084DE	255
374764	93	380764	9	386084DK	255
374765	253	380765	9	386084EN	255
374771	91	380865	271	386084ES	255
374772	91	380866	271	386084FI	255
374791	51	381070	271	386084FR	255
374821	237	381071	271	386084GR	255
374822	237	381072	271	386084IS	255
374845	237	381073	271	386084IT	255
374891	89	381074	271	386084NL	255
374903	217	381075	271	386084NO	255
374904	217	381076	271	386084PT	255
374905	91	381077	271	386084SE	255
374906	247	381084	271	386117	209
374919	247	381085	271	386353	87
374954	203	381086	271	387733	203
374960	213	381133	271	387775	75
374961	213	381138	271	401048	45
374966	87	381256	271	401106	51
374969	221	381257	271	415114	35
374984	89	381271	271	415277	59
375023	91	381272	271	415280	173
375074	7	381273	271	416019	225
375075	7	381532	269	416051	225
375076	7	381620	43	416238	171
375077	7	381694	43	416243	171
375078	7	381695	43	416245	171
375092	7	381699	191	416250	171
375094	7	381704	45	416278	171
375095	7	381705	45	416279	171
375096	7	381706	45	416280	171
375097	7	381717	33	416296	171
375098	7	381748	245	416361	171
375099	7	381950	87	416363	171
375100	7	382222	7	417037	237
375101	7	382233	7	417040	33
375113	213	382236	225	417055	33
375146	7	382240	221	417068	237
375148	9	382338	225	425738932	153
375149	9	382348	219	425738967	153
375152	33	382561	271	450066	7
375170	91	382666	9	450067	7
375455	183,185 193,239	382751	253	450089	265
		382858	33	470020	201
375483	237	383013	9	476019	269
375514	7	383200	241	480446	185
NI 4 375515	7	383697	23	480447	185
375516	7	383705	235	480449	185

Part Number	Page	Part Number	Page	Part Number	Page
480450	185	533032	201	754020	35
480468	185	535005	245	754021	35
482023	75	535007	243	754022	35
482466	69	535008	7	754023	35
482582	191	535044	11	754024	35
482662	191	541525	201	754025	35
482732	183	541702	219	754026	35
482912	191	541703	21	754027	35
482999	75	550043	237	754028	35
485011	263	570002	243	754029	35
485075	263	570003	7	754105	31
490065	31	570004	17	791153	75
499132	91	570005	9	791154	75
499343	91	570006	9	791155	75
499373	183	570007	13	791157	209
499474	183	570008	87	791226	235
500004	207	570015	47	791234	25
500006	93	571003	201	791237	167
500012	53	571006	87	791276	253
500013	9	571007	173	791317	75
500014	225	572002	219	813353	219
500015	219	572005	237	813412	201
500019	11	572007	173	813422	23
500020	207	586001	243	813423	95
500021	75,205	586002	9	813435	69
		586003	191	813445	69
500022	11	586009	173	813454	69
500024	219	586018	219	813457	183
500028	21	586019	17	813465	51
500029	89	588176	253	813722	59
500030	9	600005	89	813732	21
500031	9	600008	175	813744	21
500035	15	600017	267	813953	171
500037	13	600021	219	814259	25
500039	267	603001	245	814262	53
500040	25	603019	11	819179201	89
500043	37	603023	89	819179202	89
500048	21	604002	237	900176	69
500051	31	604003	89	900223	207
500053	7	604004	201	900249	75
500056	17	604005	183	900724	33
500077	87	604006	175	900827	87
500079	23	604007	35	900829	87
500080	75	604009	187	901178	13
500088	183	604036	247	901182	7
500089	183	615041	11	901187	7
500099	53	615042	53	901299	21
500101	47	615043	89	901317	43
500123	69	615044	237	901350	87
500150	87	615045	13	901448	87
500185	245	615046	265	901634	271
500186	191	624011	269	901691	189
500188	37	624012	11	901766	207
500189	183	624015	253	902126	69
500195	13	624016	253	902131	207
500505	7	624017	253	902163	233
500506	7	624021	233	902164	233
502017	31	629061	219	902252	31
502038	87	630003	217	902520	191
502057	29	630006	11	902541	29
502058	29	630008	13	902861	185
502082	225	630014	219	902862	185
502092	87	630035	17	903152	75
503027	87	745072	61	903193	87
503093	29	747097	33	903289	189
503133	173	747282	93	903290	87
508013	183	747583	51	903307	213
509028	33	754001	35	903422	253
510023	177	754006	35	903423	253
513003	7	754007	35	903424	253
516032	237	754009	35	903425	253
516034	219	754010	35	903459	253
530016	219	754012	35	903832	253
533001	201	754014	31	904059	21
533009	243	754016	35	904093	253
533025	11	754018	35	904094	253
533027	203	754019	35	904098	253

Part Number	Page	Part Number	Page	Part Number	Page
904141	189	922624	237	937692	131
904142	189	923302	213	937693	129
904143	189	923631	171	938108	79
904213	25	923633	171	938137	87
904228	183	925629	9	938161	59
904229	11	925659	21	938324	71
904230	21	926326	189	938325	71
904231	13	926445	237	938326	71
904232	13	926625	51	938327	71
904233	47	927025	51	938350	135
904281	7	927026	7	938351	135
904358	175	927048	91	938353	137
904436	247	927210	11	938354	129
904437	247	927988	179	938355	79
904448	213	928021	203	938356	147
904449	219	928081	69	938357	137
904450	221	928348	263	938358	147
904519	243	928511	11	938359	135
904557	9	928632	243	938360	149
904558	87	928661	201	938361	159
904567	23	928722	23	938362	117
904571	207	928908	69	938363	159
904577	207	928928	209	938364	139
904596	37	929010	185	938365	139
904600	201	929012	185	938366	139
904626	51	929013	185	938367	137
904627	61	929014	185	938368	117
904631	21	929023	213	938369	139
904637	201	929076	253	938370	135
904639	17	929162	265	938371	155
904643	9	929322	93	938372	139
904644	93	929911	213	938373	155
904653	271	930138	201	938374	129
904657	59	930139	201	938375	147
904658	59	930150	203	938376	135
904659	59	930151	23	938377	135
904660	59	930163	209	938378	145
904688	69	930165	211	938379	113
904694	21	930166	211	938380	135
904697	233	930182	209	938381	135
904703	69	930192	209	938382	151
904734	191	930195	209	938385	169
904735	243	930200	211	938386	169
904763	41	932058	209	938387	169
904786	183	932059	209	938388	169
904796	217	932060	211	938389	169
904808	21	935044	87	938390	169
904835	253	935758	87	938392	169
904870	255	936487	185	938393	169
904912	205	936488	185	938394	169
904920	33	936489	185	938395	169
904930	33	936490	185	938397	169
904990	21	936491	185	938398	169
908780	185	936492	185	938399	169
908782	185	936493	185	938400	169
908783	185	936494	185	938401	139
909153	243	936495	185	938402	137
909535	245	936694	189	938403	139
909536	245	936695	189	938404	141
910161	191	936696	189	938405	143
911456	209	936697	189	938406	143
911618	185	936698	189	938407	145
911620	185	936699	189	938408	147
912081	183	936700	189	938409	147
912120	49	936701	189	938410	147
920783	51	936702	189	938411	149
920784	51	936703	189	938412	149
920785	51	937682	131	938413	155
920786	51	937683	131	938414	153
920787	51	937684	131	938415	155
920794	51	937685	131	938416	139
920795	51	937686	131	938417	139
921099	201	937687	131	938418	155
921161	69	937688	131	938419	147
921850	219	937689	131	938420	135
922524	171	937690	131	938421	137
922539	171	937691	131	938422	137



Part Number	Page	Part Number	Page	Part Number	Page
938423	137				
938424	137				
938425	137				
938426	153				
938427	139				
938428	137				
938429	151				
938430	161				
938431	135				
938432	137				
938433	141				
938434	135				
938435	105				
938436	135				
938437	147				
938438	159				
938439	143				
938440	159				
938441	159				
938442	159				
938443	159				
938444	141				
938445	147				
938446	155				
938447	141				
938448	135				
938449	137				
938471	159				
938557	105				
938746	123				
938756	71				
938757	71				
938758	71				
938759	71				
939297	101				
939298	101				
939371	87				
939428	129				
939429	129				
939430	129				
939481	87				
939485	87				
939486	87				
939487	87				
939491	81				
939492	81				
939493	81				
939496	77				
939497	77,83				
947684	21				
947688	79				
947696	33				
960273	207				
960787	253				
975065	201				
975068	207				
985012	209				
985066	207				
985087	207				
985145	209				
985146	209				
991650	253				
991657	253				
991658	253				
999027	205				



