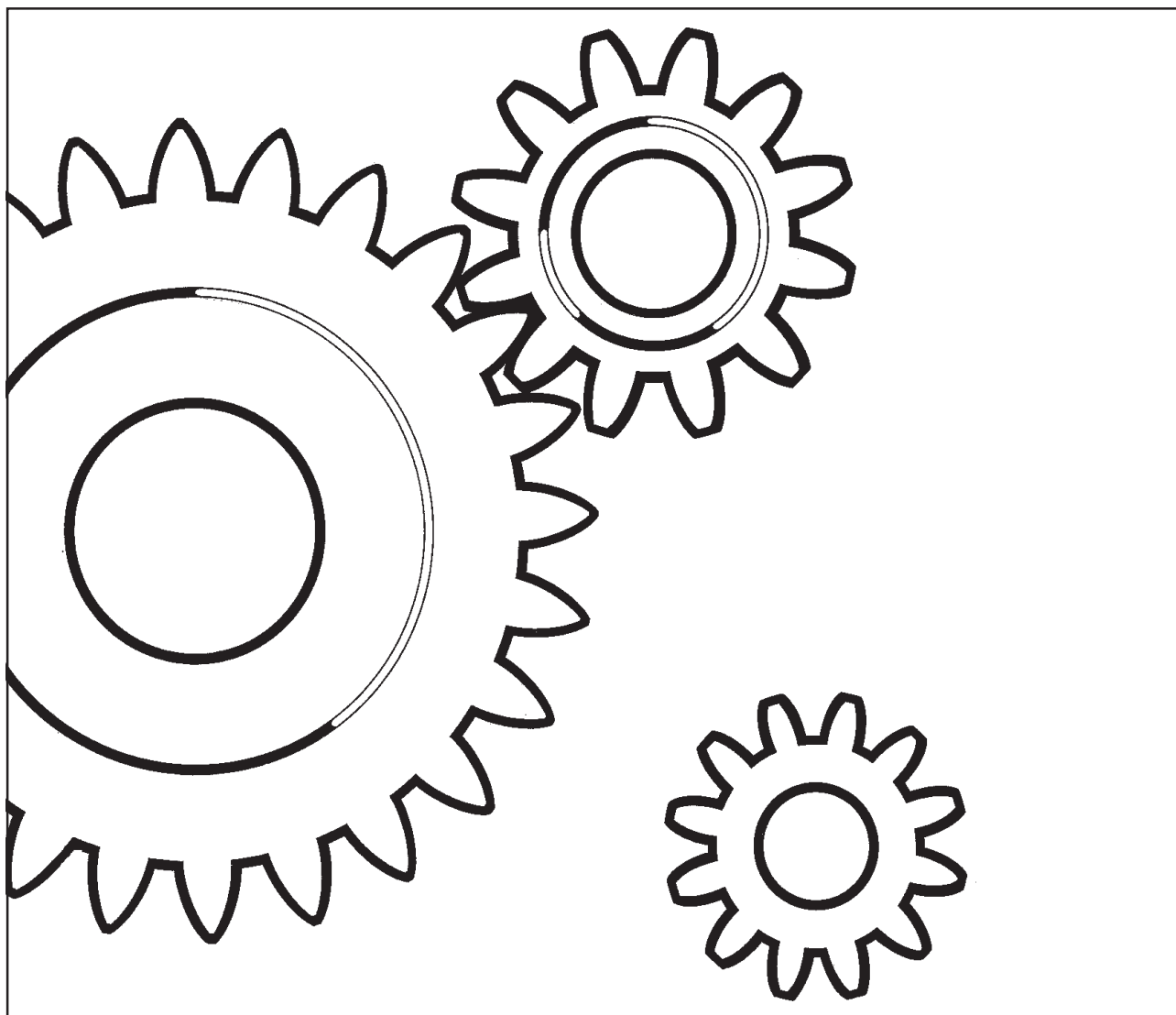


**DYNAPAC
CC900
SPARE PARTS
CATALOGUE
SCC900-1EN5**



DYNAPAC

Part of the Atlas Copco Group

Box 504, SE-371 23 Karlskrona, Sweden
Phone: +46 455 30 60 00, Fax: +46 455 30 60 10
www.dynapac.com

Vibratory Roller CC900

Spare Parts Catalogue SCC900-1EN5

Valid from roller serial number:

89230020* - *89232699

Diesel engines:

Perkins 403C-11

Published catalogue issues valid for these rollers:

<i>Catalogue</i>	<i>Issue date</i>	<i>Valid for serial numbers</i>
SCC900-1EN1	2004-03	Replaced by SCC900-1EN2
SCC900-1EN2	2004-11	Replaced by SCC900-1EN3
SCC900-1EN3	2005-08	Replaced by SCC900-1EN4
SCC900-1EN4	2006-05	Replaced by SCC900-1EN5
SCC900-1EN5	2008-03	See above



RESERVDLSBESTÄLLNING

Följande uppgifter ska lämnas vid beställning av reservdelar för att undvika leveransfel:

1. Maskintyp.
2. Vältens serienummer.
3. Antal av önskad reservdel.
4. Reserdelens artikelnummer.
5. Reservdelens benämning.
6. Måttuppgifter vid beställning av metervara.

ORDERING SPARE PARTS

To avoid errors in delivery, please give the following information when ordering spare parts:

1. Type of machine.
2. Roller serial number.
3. Quantity required.
4. Part number.
5. Parts denomination.
6. Dimensions when ordering per length.

ERSATZTEILBESTELLUNG

Zur Vermeidung von Fehllieferungen sind bei der Bestellung von Ersatzteilen folgende Angaben zu machen:

1. Maschinentyp.
2. Herstellungsnummer.
3. Bestellmenge. (Quantity)
4. Ersatzteilnummer. (Part N°)
5. Ersatzteilbenennung. (Denomination)
6. Massangaben bei Bestellung von Meterware.

ORDINI DI RICAMBI

Per evitare errori nelle consegne di ricambi, Vi preghiamo di comunicarci le seguenti informazioni al momento dell'ordinazione:

1. Tipo di macchina.
2. Numero di serie della macchina.
3. Quantità dei pezzi desiderati. (Quantity)
4. Numero di codice del pezzo. (Part N°)
5. Descrizione del pezzo di ricambio. (Denomination)
6. Misura, in caso di ordine per metro.

PEDIDO DE RECAMBIOS

Para evitar errores en las entregas, deberán indicarse los siguientes datos al hacer un pedido de recambios:

1. Tipo de máquina.
2. Número de serie.
3. Cantidad de piezas deseadas. (Quantity)
4. Número de artículo de la pieza de recambio. (Part N°)
5. Denominación de la pieza. (Denomination)
6. Indíquese la medida al solicitar un artículo que se expide por metros.

COMMANDE DE PIECES DE RECHANGE

Les indications suivantes doivent être fournies lors de la commande de pièces de rechange, afin d'éviter toute erreur de livraison:

1. Type de machine.
2. Numéro de série.
3. Quantité désirée de pièce de rechange. (Quantity)
4. Numéro de la pièce de rechange. (Part N°)
5. Dénomination de la pièce de rechange. (Denomination)
6. Longueur en cas de commande au mètre.

YOUR AGENT/DEALER:

Text pages

The text pages is structured as the picture on the right.

1. This is the remarks for specific items and the descriptions of the remarks is at the bottom of the parts list.

2. Parts indicated by a dot and moved to the right are included when buying the assembled unit above.

3. Spare parts and service code for a specific part, mainly for internal use at Dynapac. "A" = Service part, "B" = Fast moving part, "C" = Suggested exchanged part and "D" = Regular spare part.

DYNAPAC				Metso Dynapac AB	
Cooling system					
Ref. No.	Part No.	Rem.	Qty	Description	Code
1	223047		1	Water cooler	③ C
2	935852		1	Radiator cap	D
3	935851	①	1	Cock	
4	373263	A	1	Radiator hose	D
5	313009		6	Clamp	
6	205058	B	1XL	Rubber cloth	
7	373261	C	1	Radiator hose	D
8			1	Oil cooler	D
9	223289		1	Plate	
10	902166	D	1XL	Edge trim	
11	223287	E	1	Holder	
12	223288	F	1	Holder	
13	908168		1	Fan guard	
14	908170		1	Fan shroud	
15	908171		2	Mounting bar	
16	908169		1	Fan guard	
17	500021		14	Screw	
18	902286		14	Nut	
19	600006		14	Washer	
20	313102		2	Cable strap	

① A) Upper
B) L=060MM
C) Lower
D) L=2280MM
E) Left
F) Right

Changes

PARTS INFO	SERVICE INFO	GROUP	PAGE	NOTES

Notes

PÄRMETIKETT

För att undvika fel vid reservdelsbeställning finns här nedan två etiketter som passar i fickorna på pärmarnas ryggar. På dessa kan man se från vilket vältnummer av aktuell maskin reservdelskatalogen gäller. Gör så här:

1. Tag denna sida ur pärmen.
2. Klipp ut etiketten till **VÄNSTER** (1) och sätt in den i fickan på **DENNA** pärmens rygg.
3. Finns det en etikett till **HÖGER** (2), kan denna användas på pärmen för **FÖREGÅENDE** utgåva av denna katalog.
4. Kasta detta papper.

KATALOG-BESCHRIFTUNG

Zur Vermeidung von Fehlern bei der Ersatzteilbestellung benutzen Sie bitte die unteren Beschriftungen, um die Kataloge auf der Rückseite zu kennzeichnen. Auf der Beschriftung ist angegeben, für welche Maschinennummern der jeweilige Katalog gültig ist. Ablauf:

1. Nehmen Sie dieses Blatt aus dem Katalog.
2. Schneiden Sie die **LINKE** Beschriftung (1) aus. Schieben Sie die Beschriftung in die tasche auf **DEM** Katalogrücke.
3. Sollte die Beschriftung unten **RECHTS** (2) mitgeliefert werden, kennzeichnen Sie damit bitte die **ÄLTERE** Ausführung dieses Kataloges.
4. Den Rest dieses Blattes bitte vernichten.

ETIQUETA PARA LA CARPETA

Para evitar errores al pedir repuestos utilicen las etiquetas abajo descritas para identificar los catálogos en la parte trasera de la carpeta. En la etiqueta se ven los números de referencia de la serie para la cual es válido el catálogo. Instrucciones:

1. Quitar esta página de la carpeta.
2. Corta la etiqueta **IZQUIERDA** (1) y ponerla en **ESTA** carpeta en la parte trasera.
3. Si hay una etiqueta en la parte **DERECHA** (2) se puede utilizar en la carpeta para el catálogo que **PRECEDE** a esta.
4. Tirar esta hoja.

BINDER LABEL

To avoid errors when ordering spare parts use the labels below to identify the catalogues on the back of the binder. The label contain the serial number range for which the catalogue is valid. Do like this:

1. Remove this page from the binder.
2. Cut out the **LEFT** label (1) and put it on **THIS** binders back.
3. If there is a label to the **RIGHT** (2), it can be used on the binder for **PRECEDING** issue of this catalogue.
4. Throw away this paper.

ETICHETTA POSTA SUL RACCOGLITORE

Per evitare errori quando ordinate pezzi di ricambio, usate le etichette in calce che servono ad identificare i cataloghi sul retro del raccoglitore. L'etichetta indica il numero di matricola delle macchine prese in considerazione nel catalogo.

1. Rimuovete questa pagina dal raccoglitore.
2. Ritagliate l'etichetta posta a **SINISTRA** (1) e ponetela sul retro **DEL** raccoglitore.
3. Se trovate anche un'etichetta sulla **DESTRA** (2), ritagliatela e ponetela sul raccoglitore relativo alla **PRECEDENTE** edizione del catalogo.
4. Distruggete questo foglio.

ETIQUETAGE DU CATALOGUE

Afin d'éviter des erreurs lors de commandes de pièces de rechange, nous vous conseillons d'apposer les marquages ci-dessous à l'arrière du classeur, pour identifier les catalogues. Ce marquage indique les numéros de série pour lesquels le catalogue est adapté. Il convient de procéder de la façon suivante:

1. Retirez cette page du classeur.
2. Découpez l'étiquette de **GAUCHE** (1), et apposez-la à l'arrière de **CE** catalogue.
3. Si il y a une étiquette à **DROITE** (2), vous pourrez l'apposer sur le classeur de l'édition **PRECEDENTE** du catalogue.
4. Détruire cette feuille.

1.



TABLE OF CONTENTS

Page

CC900 SN 89230020 - 89232699	2
Service kits	4
Service kits	6
940208 Service kit, Perkins 50h	8
940209 Service kit, Perkins 500h	10
940210 Service kit, Perkins 1000h	12
Repair kits	14
Repair kits	16
940664 Shock absorber kit, drum Up to 89231468	18
945552 Shock absorber kit, drum From 89231469	20
940671 Scraper kit CC900/900G/900S	22
945928 Repair kit, Steering hitch	24
945710 Eccentric shaft kit	26
945711 Drum rotation kit	28
Frames	30
Frames	32
387057 Hitch Up to 89230220	34
377621 Hitch From 89230221	36
Scrapers	38
Engine hood	40
Sprinkler system	42
Drum	44
Drum	46
Engine	48
Engine Perkins 403C-11	50
Cooling system	52
Exhaust system	54
Fuel system	56
Air intake system	58
Hydraulic system	60
Hydraulic propulsion and brake system motor	62
Hydraulic propulsion and brake system pump	64
Hydraulic vibration	66
Hydraulic steering	70
Electrical equipment	72
Electrical equipment	74
Control panel, relays	76
Driving lights Option	78
Working lights Option	80
Rotating beacon with Rops Option	82
Back-up alarm Option	84
Drivers platform	86
Drivers seat Up to 89231040	88
Drivers seat From 89231041 Up to 89231898	90
Drivers seat From 89231899	92
F/R- and throttle control	94
Forward and reverse control handle Up to 89231095	96

TABLE OF CONTENTS

Page

Forward and reverse control handle From 89231096	98
Rops Option	100
Decals and documentation	102
Decals and documentation	104
Standard equipment	106
Standard equipment	108
Optional equipment	110
Battery disconnecter	112
Watertank, option From 89231041	114
Dual forward/reverse control	116
SMV sign	118
SMV sign Mounting on watertank	120
Registrations - plate with light	122
Hydraulic vibration, shut off front/rear drum	124
Rear view mirror	126
Tool equipment	128



CC900 SN 89230020 - 89232699

Ref. No.	Part No.	Rem.	Qty	Description	Code
5				Service kits (Page 4)	
6		2		Repair kits (Page 14)	
10				Frames (Page 30)	
20				Drum (Page 44)	
30				Engine (Page 48)	
50				Hydraulic system (Page 60)	
60				Electrical equipment (Page 72)	
70				Drivers platform (Page 86)	
80				Decals and documentation (Page 102)	
90				Standard equipment (Page 106)	
91				Optional equipment (Page 110)	

Service kits

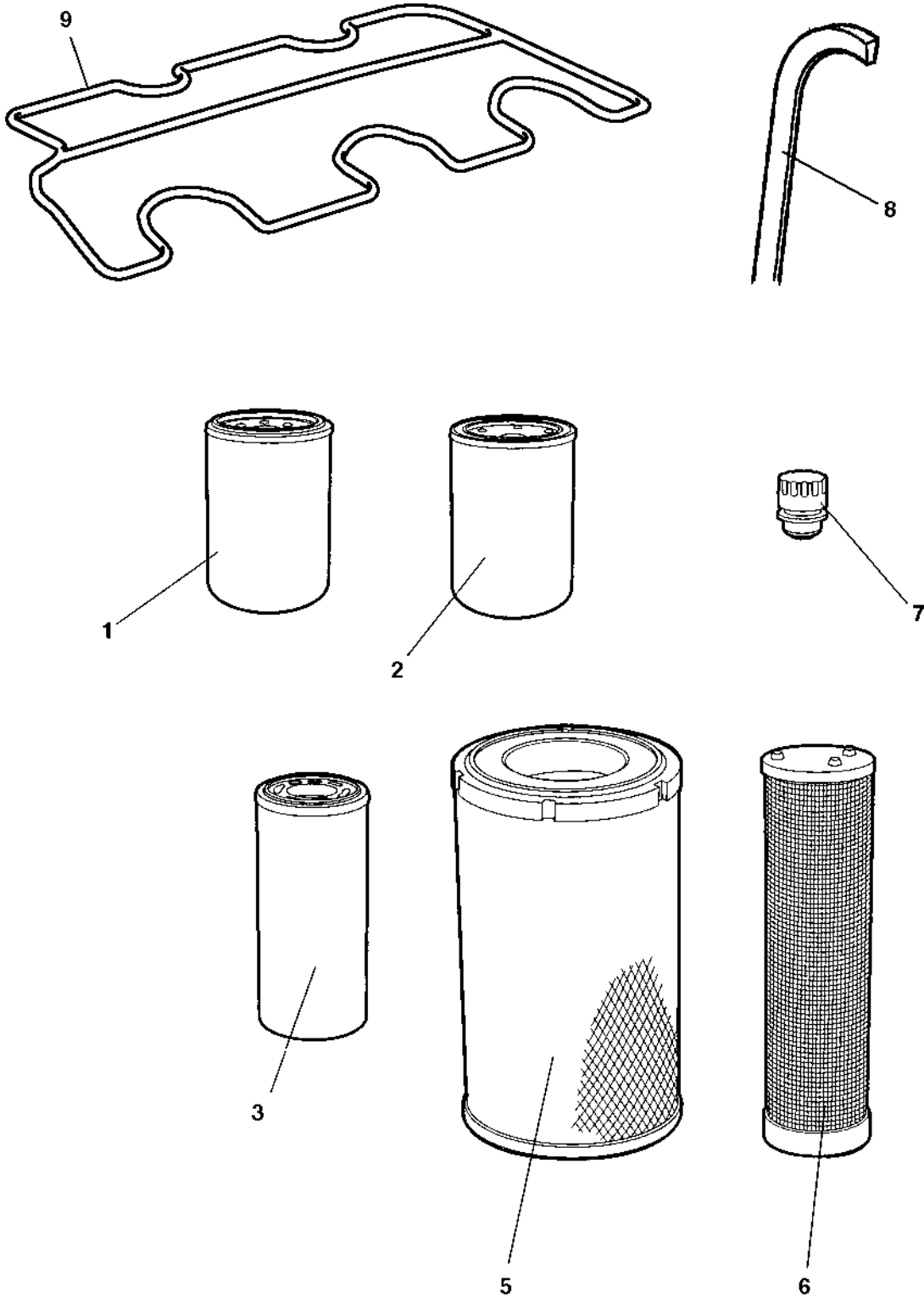
Ref. No.	Part No.	Rem.	Qty	Description	Code
-1				Service kits (Page 6)	

Service kits

Ref. No.	Part No.	Rem. Qty	Description	Code
1	940208		Service kit, Perkins (Page 8)	50h
2	940209		Service kit, Perkins (Page 10)	500h
3	940210		Service kit, Perkins (Page 12)	1000h

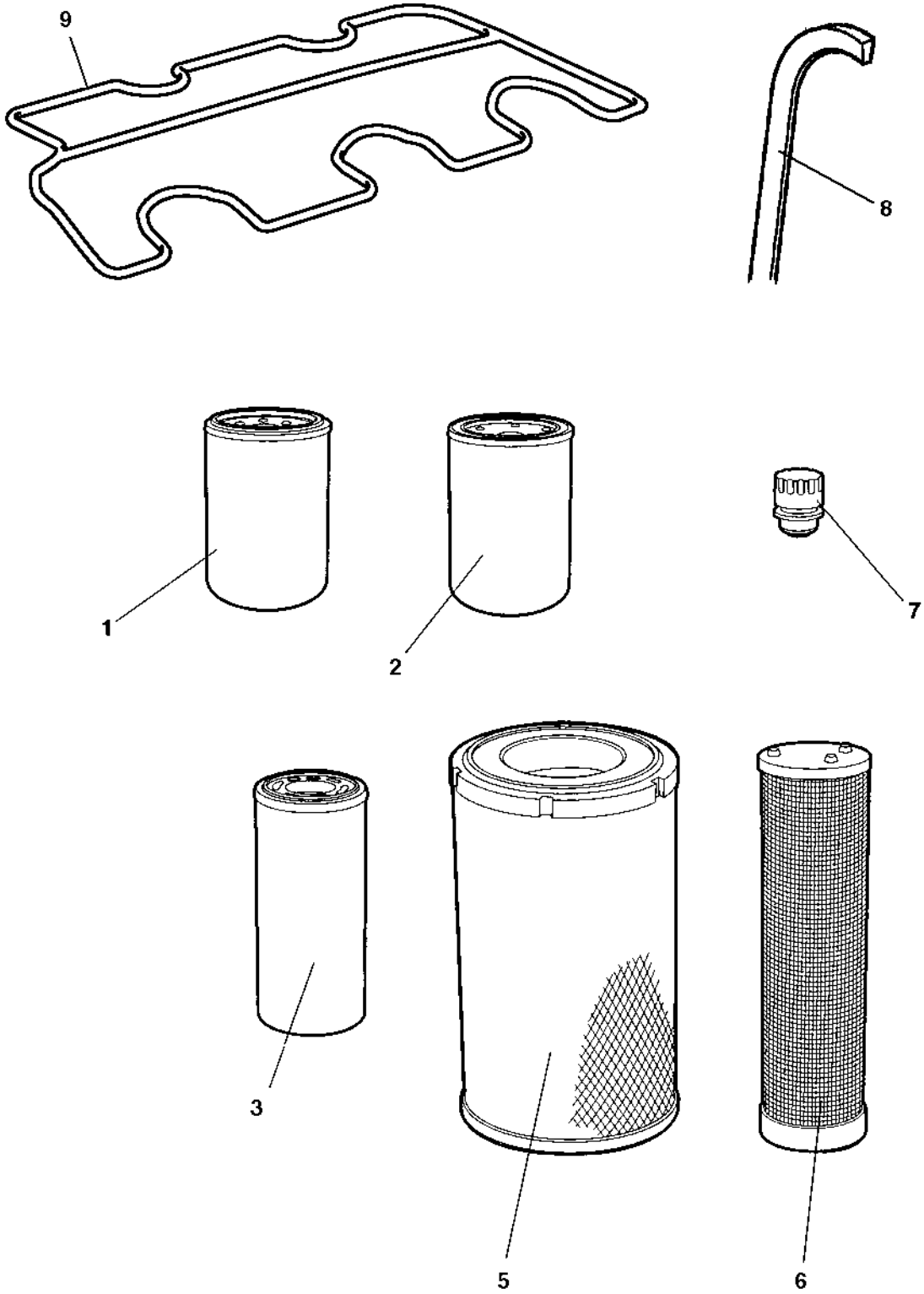
940208 Service kit, Perkins 50h

17996



940208 Service kit, Perkins 50h

Ref. No.	Part No.	Rem.	Qty	Description	Code
1	376554		1	Oil filter	A
2	376555		1	Fuel filter	A
3	376637		1	Filter element	A

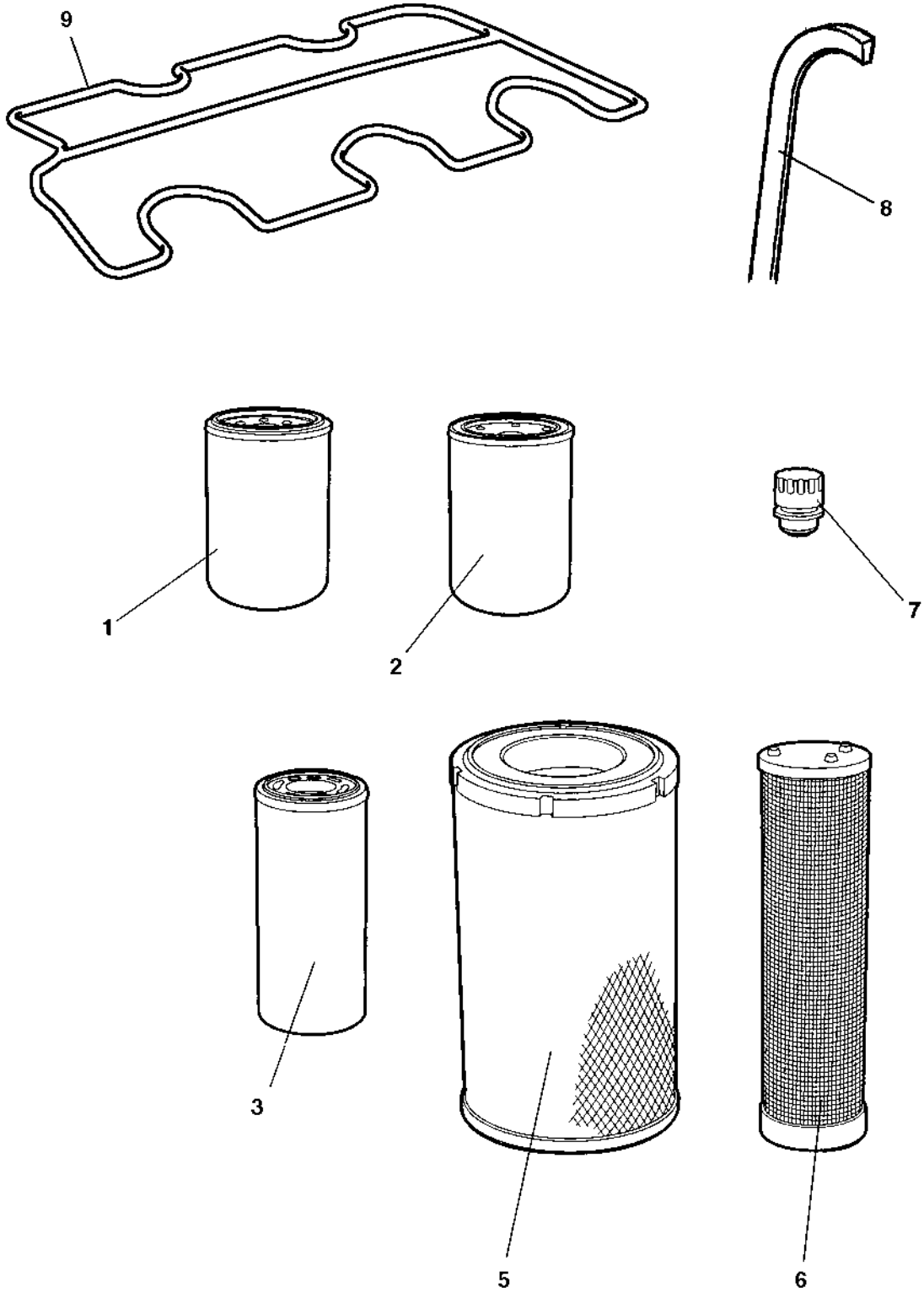


940209 Service kit, Perkins 500h

Ref. No.	Part No.	Rem.	Qty	Description	Code
1	376554		1	Oil filter	A
2	376555		1	Fuel filter	A
5	939802		1	Air filter element	Main A
6	939803		1	Air filter element	Safety A
7	357138		1	Ventilating filter	A

940210 Service kit, Perkins 1000h

17996



940210 Service kit, Perkins 1000h

Ref. No.	Part No.	Rem.	Qty	Description	Code
1	376554		1	Oil filter	A
2	376555		1	Fuel filter	A
3	376637		1	Filter element	A
5	939802		1	Air filter element	Main A
6	939803		1	Air filter element	Safety A
7	357138		1	Ventilating filter	A
8	939932		1	V-belt	A
9	940212		1	Valve gasket	

Repair kits

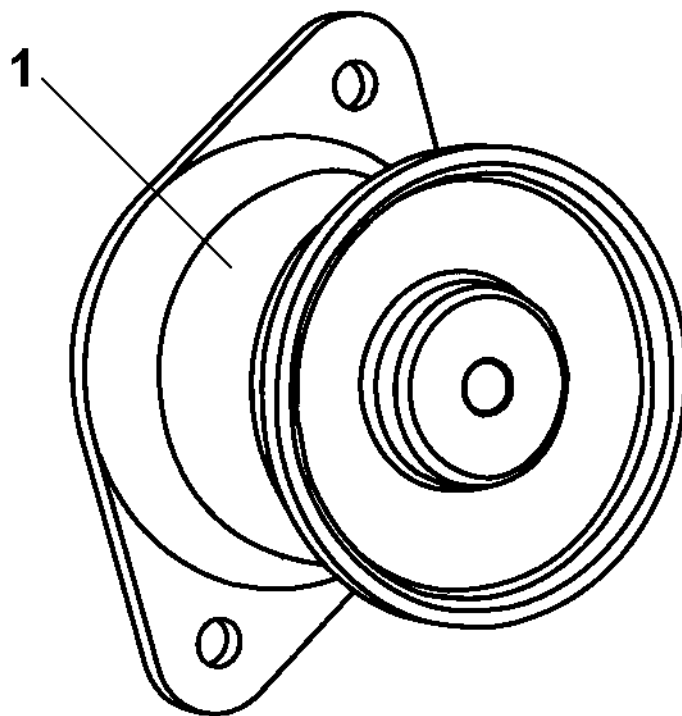
Ref. No.	Part No.	Rem.	Qty	Description	Code
-1				Repair kits (Page 16)	

Repair kits

Ref. No.	Part No.	Rem. Qty	Description	Code
1	940664	2	Shock absorber kit, drum Up to 89231468 (Page 18)	
	945552	2	Shock absorber kit, drum From 89231469 (Page 20)	
2	940671	1	Scraper kit (Page 22)	CC900/900G/900S
3	945928	1	Repair kit, Steering hitch (Page 24)	
4	945710	2	Eccentric shaft kit (Page 26)	
5	945711	2	Drum rotation kit (Page 28)	

940664 Shock absorber kit, drum

940668

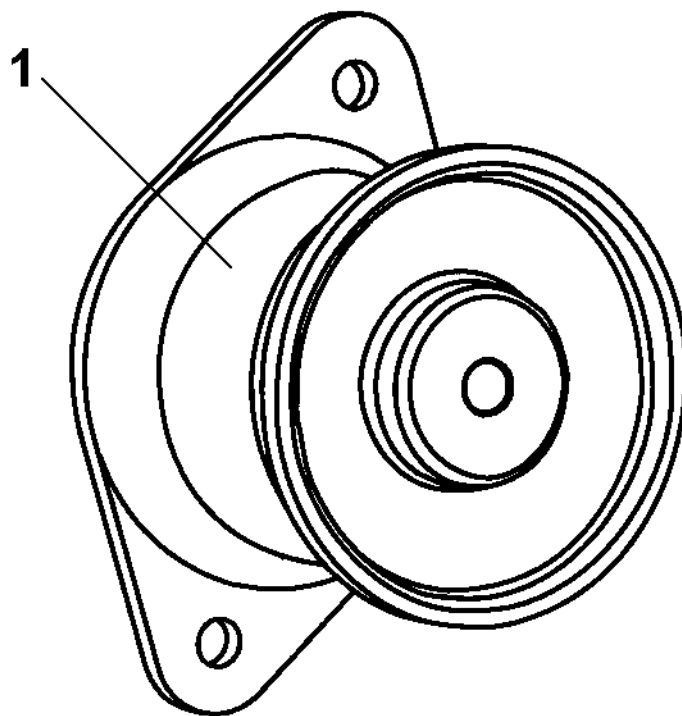


940664 Shock absorber kit, drum

Ref. No.	Part No.	Rem.	Qty	Description	Code
1	376783		7	Shock absorber	

945552 Shock absorber kit, drum

940668

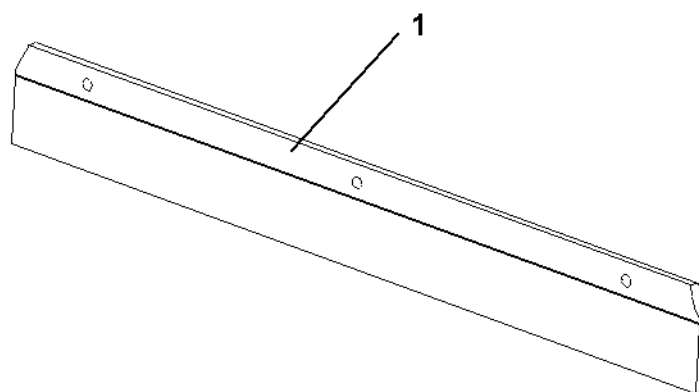


945552 Shock absorber kit, drum

Ref. No.	Part No.	Rem.	Qty	Description	Code
1	391984		7	Shock absorber	

940671 Scraper kit CC900/900G/900S

18187

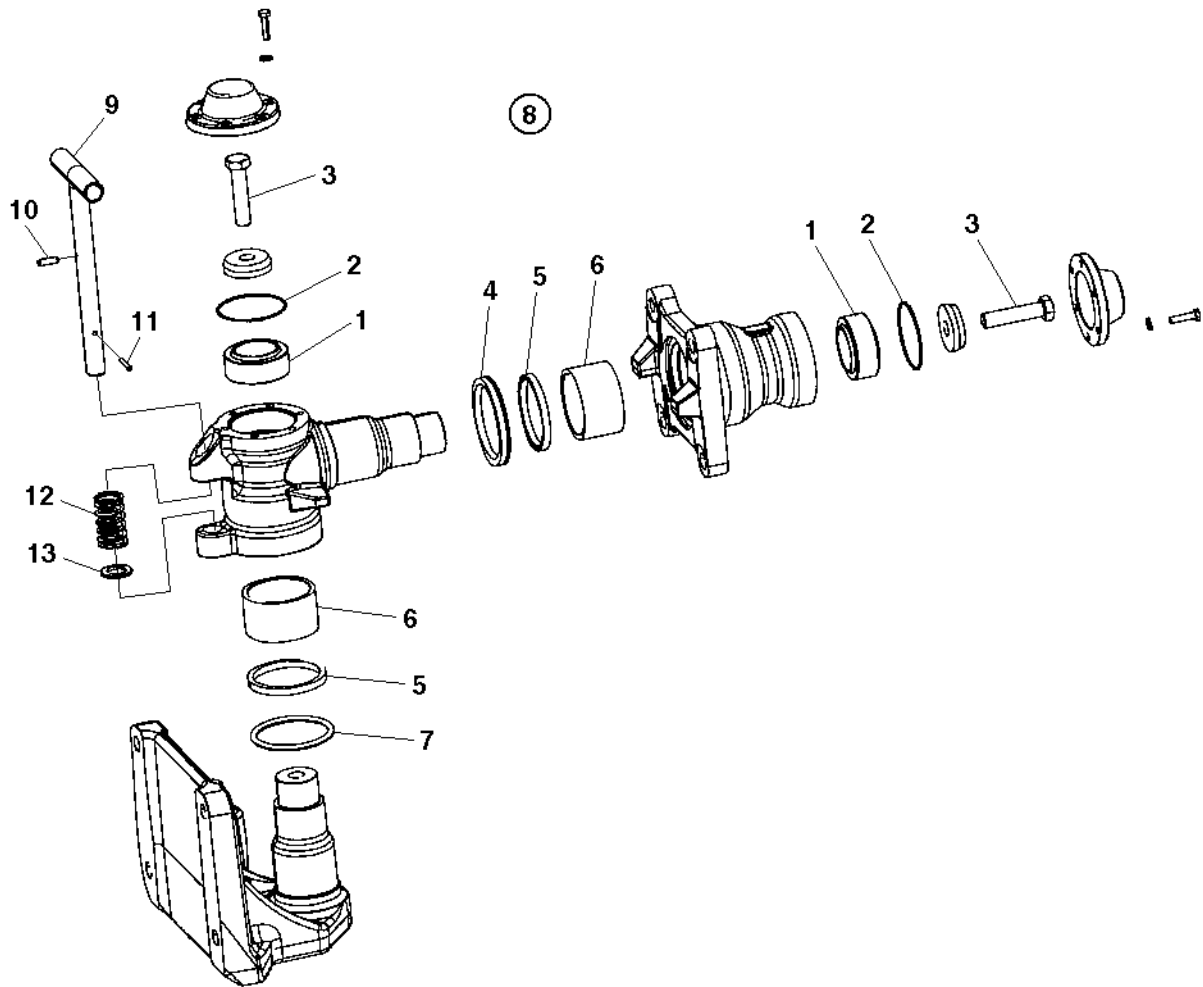


940671 Scraper kit CC900/900G/900S

Ref. No.	Part No.	Rem.	Qty	Description	Code
1	387346		4	Scraper blade	Polyurethan

945928 Repair kit, Steering hitch

18651

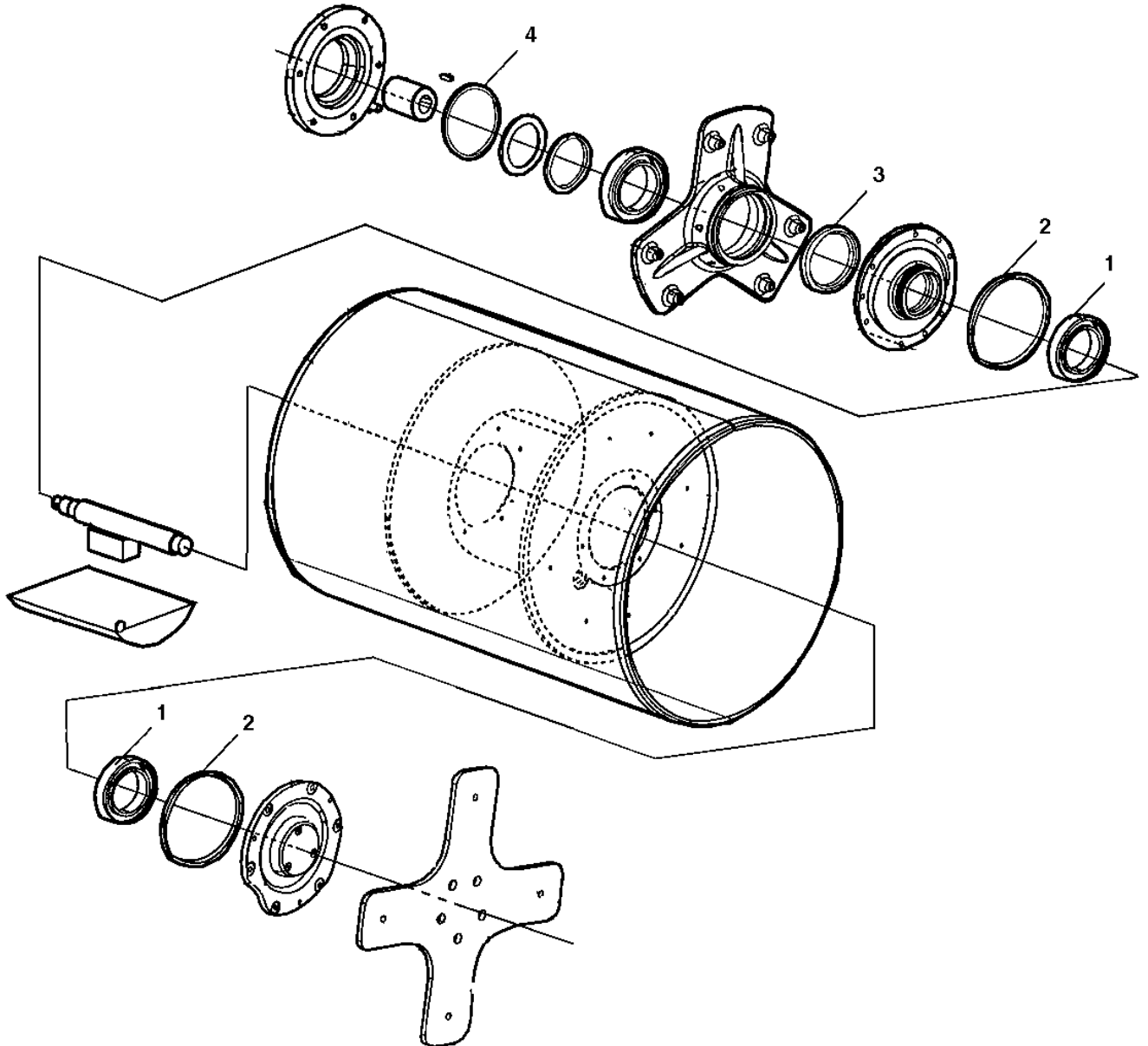


945928 Repair kit, Steering hitch

Ref. No.	Part No.	Rem.	Qty	Description	Code
1	792611		2	Radial spherical plain bearing	
2	791962		2	O-ring	
3	500050		2	Screw	
4	388171		1	Sealing, v-ring	
5	388173		2	Shear wiper	
6	388172		2	Bushing	
7	160058		1	O-ring	D

945710 Eccentric shaft kit

18701

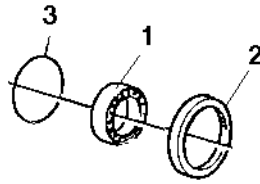


945710 Eccentric shaft kit

Ref. No.	Part No.	Rem.	Qty	Description	Code
1	791433		2	Spherical roller bearing	
2	791425		2	O-ring	174, 20x5, 70
3	791426		1	Radial lip seal	
4	160132		1	O-ring	124, 50x3, 00 D

945711 Drum rotation kit

945711



945711 Drum rotation kit

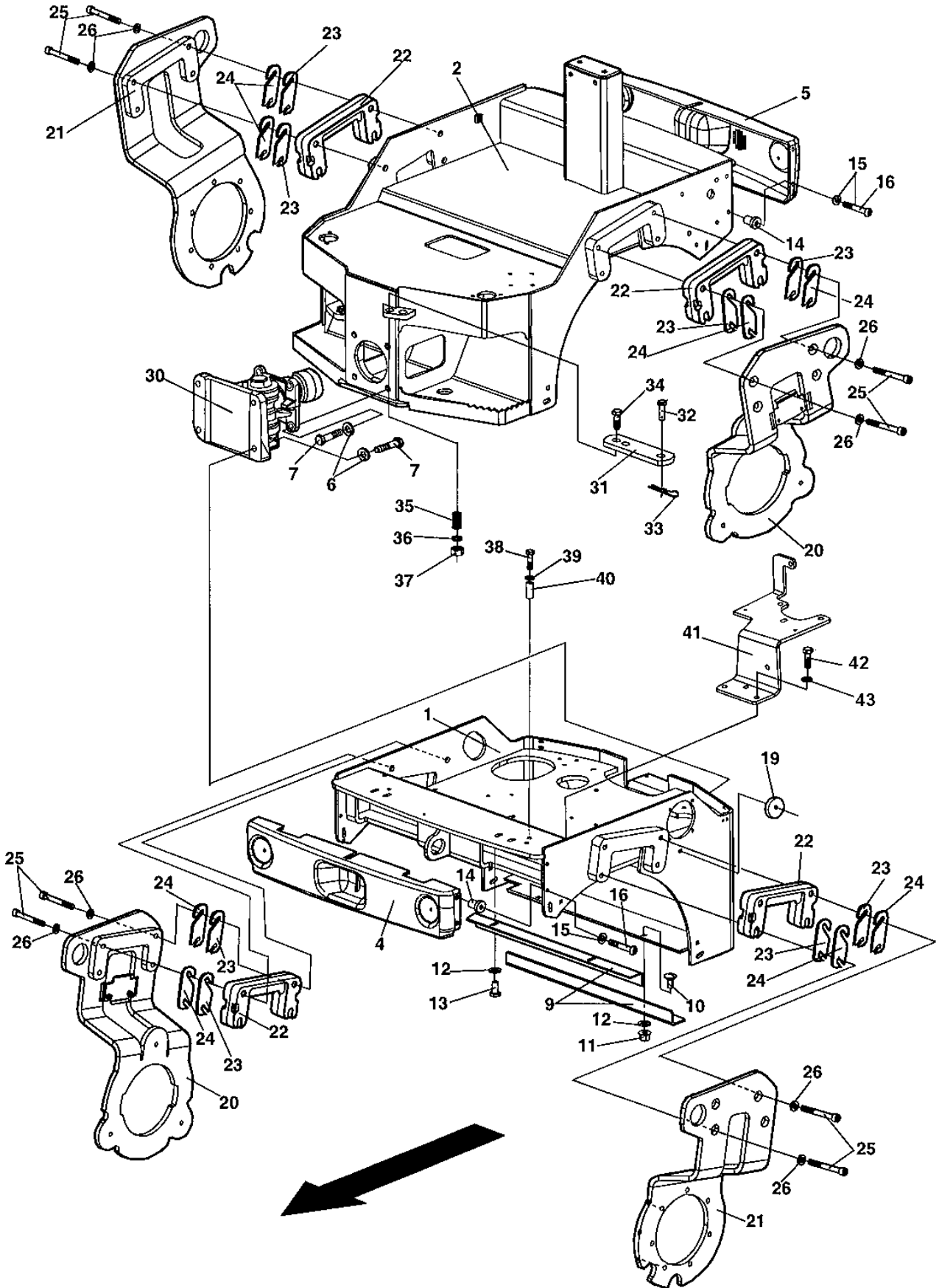
Ref. No.	Part No.	Rem.	Qty	Description	Code
1	111018		1	Ball bearing	D
2	791426		1	Radial lip seal	
3	160132		1	O-ring	124, 50x3, 00 D

Frames

Ref. No.	Part No.	Rem.	Qty	Description	Code
10				Frames (Page 32)	
30				Scrapers (Page 38)	
40				Engine hood (Page 40)	
41				Sprinkler system (Page 42)	

Frames

17862-1



Frames

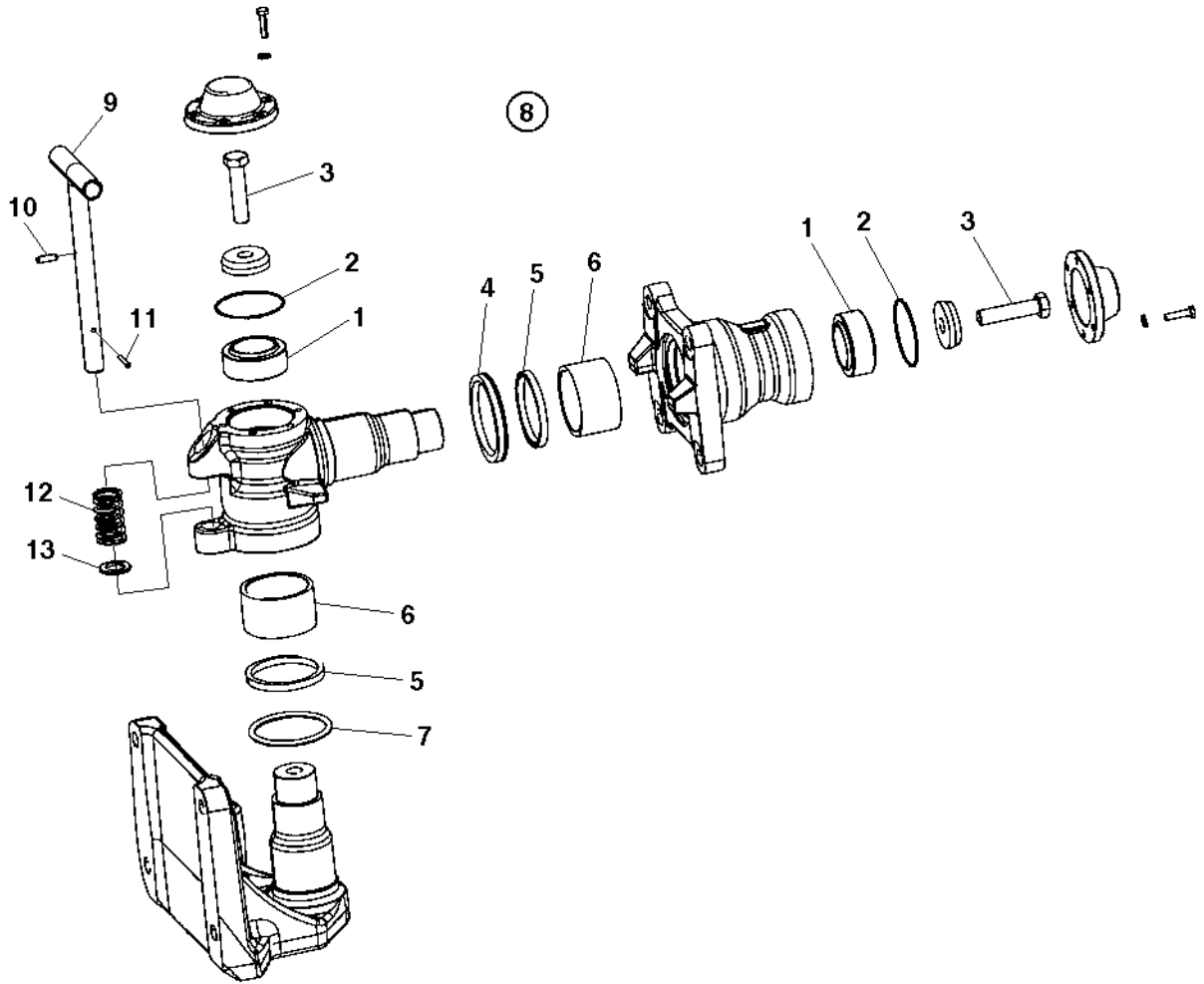
Ref. No.	Part No.	Rem.	Qty	Description	Code
1	387055		1	Frame, front	
2	387056		1	Frame, rear Up to 89231097	
	387056	C	1	Frame, rear From 89231098	
4	387376		1	Cover, frame	
5	387886		1	Cover, frame	
6	904214		8	Washer	15x30x4
7	500176		8	Screw	M14x060
9	387779		2	Press plate	
10	929191		2	Bolt	
11	586003		2	Lock nut	M8
12	904640		4	Washer	8,4x22x3
13	500053		2	Screw	M8-1,25x20 8.8
14	387949		8	Rubber nut	
15	904228		8	Washer	
16	792149		8	Screw	M6x35 8.8
19		A	1	Reflector	
20	388850		2	Fork, vibration side	
21	388849		2	Fork, drive side	
22	388153		4	Spacer	
23	387425		N	Shim	
24	387424		N	Shim	
25	791972		16	Screw	M12x100
26	904231		16	Washer	13x24x2
30	387057		1	Hitch Up to 89230220 (Page 34)	
	377621		1	Hitch From 89230221 (Page 36)	
31	377610		1	Lock link	
32	530027		1	Clevis pin	
33	635061		1	Hair clip	
34	500208		1	Screw	M20x80
35	349332		1	Pressure spring	
36	904233		1	Washer	21x36x3
37	586022		1	Lock nut	M20-8
38	500067		1	Screw	M8-1,25x55 8,8
39	904229		1	Washer	
40	387677		1	Spacer sleeve	
41		B	1	Battery shelf	
42		B	3	Screw	
43		B	3	Washer	

D

- A) See section "Decals"
- B) See section "electric equipment"
- C) Serialnumber depends on the new bracket to the water strainer

387057 Hitch

18651

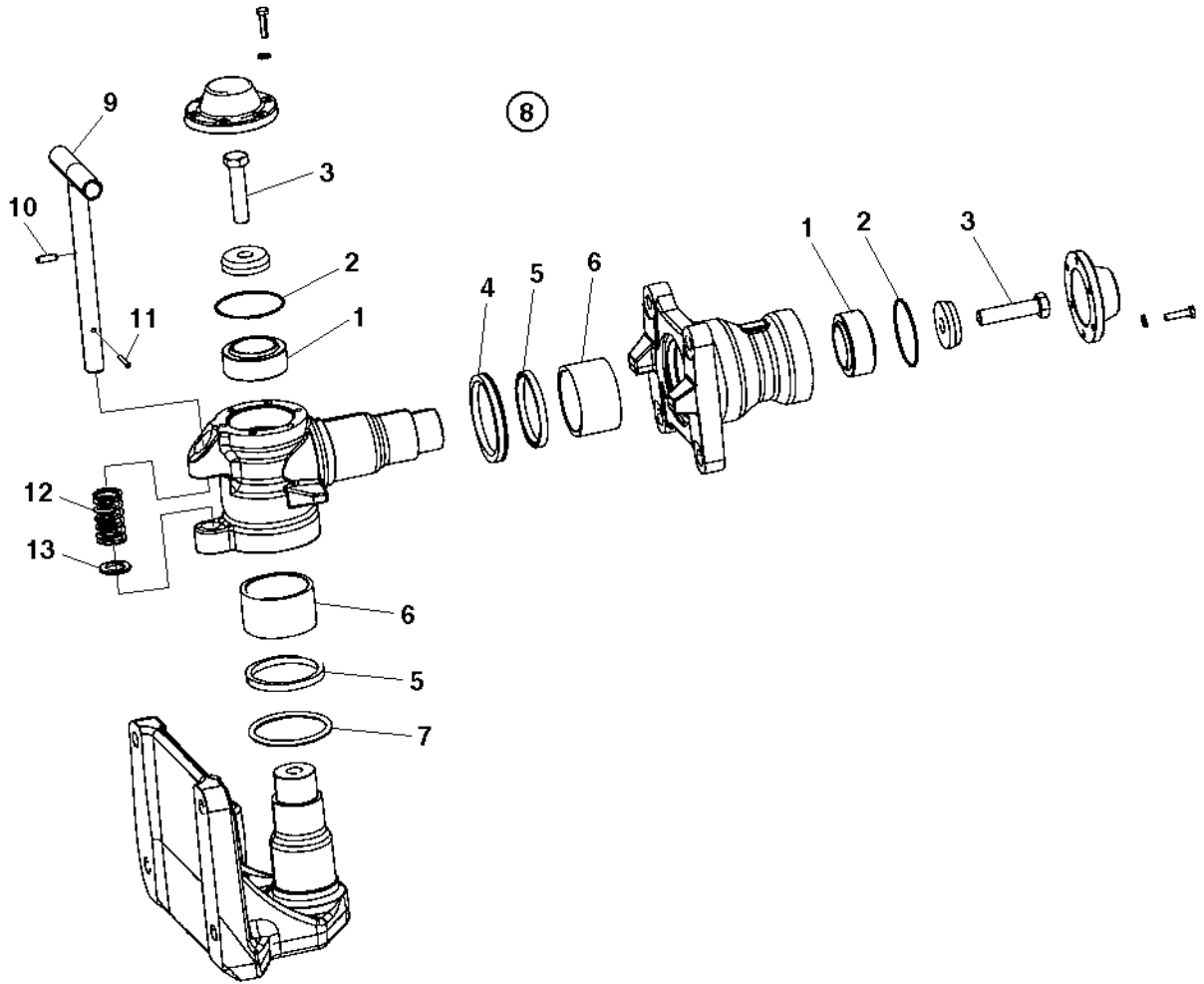


387057 Hitch

Ref. No.	Part No.	Rem.	Qty	Description	Code
1	792611		2	Radial spherical plain bearing	
2	791962		2	O-ring	
3	500050		2	Screw	
4	388171		1	Sealing, v-ring	
5	388173		2	Shear wiper	
6	388172		2	Bushing	
7	160058		1	O-ring	D
8	945928		1	Repair kit, Steering hitch (Page 24)	
9	387155		1	Clevis pin	
10	388177		1	Spring pin	
11	388176		1	Spring pin	
12	388178		1	Compression spring	
13	791961		1	Washer	

377621 Hitch

18651

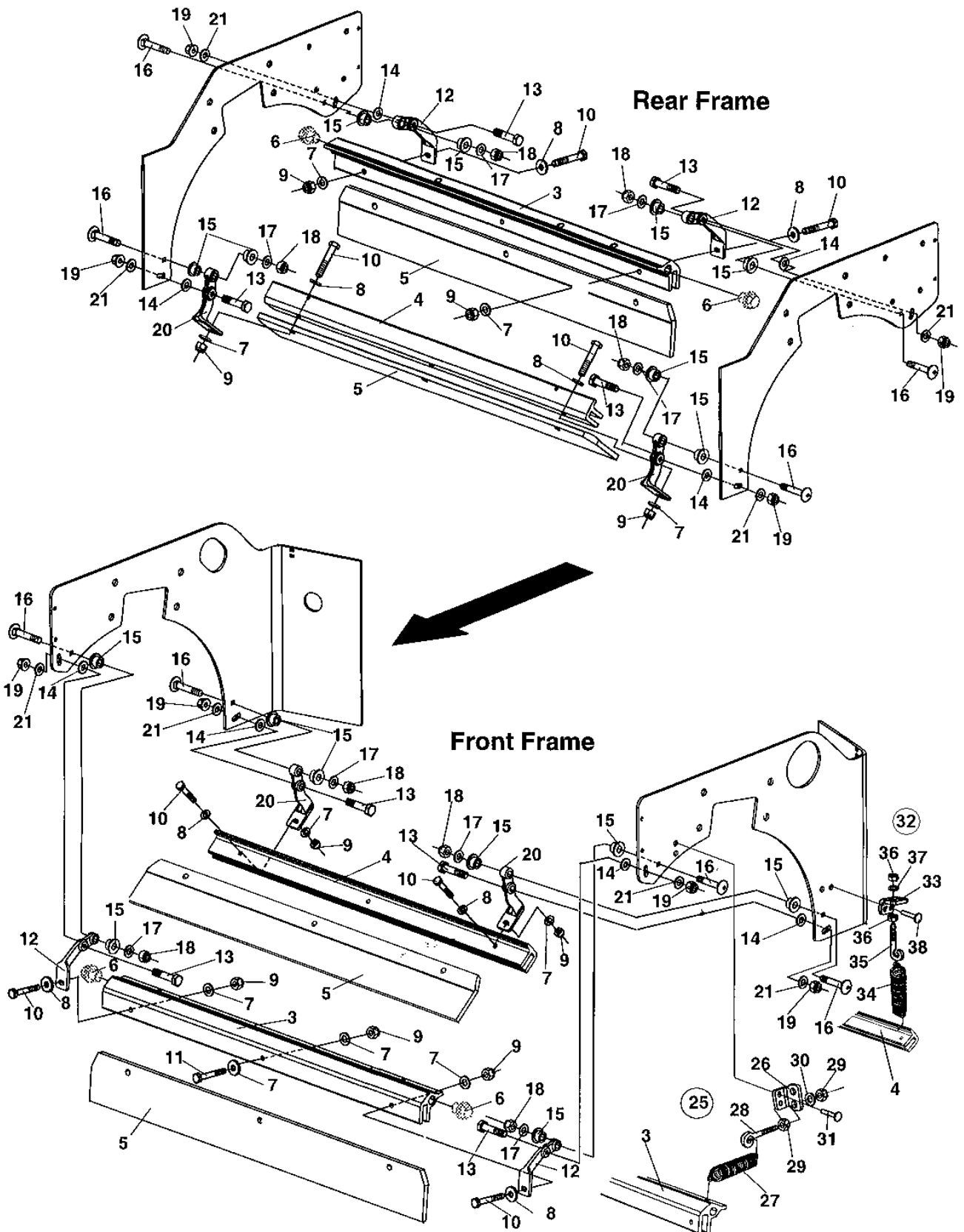


377621 Hitch

Ref. No.	Part No.	Rem.	Qty	Description	Code
1	792611		2	Radial spherical plain bearing	
2	791962		2	O-ring	
3	500050		2	Screw	
4	388171		1	Sealing, v-ring	
5	388173		2	Shear wiper	
6	388172		2	Bushing	
7	160058		1	O-ring	D
8	945928		1	Repair kit, Steering hitch (Page 24)	
9				Not used on this model	
10				Not used on this model	
11				Not used on this model	
12				Not used on this model	
13				Not used on this model	

Scrapers

17884-1



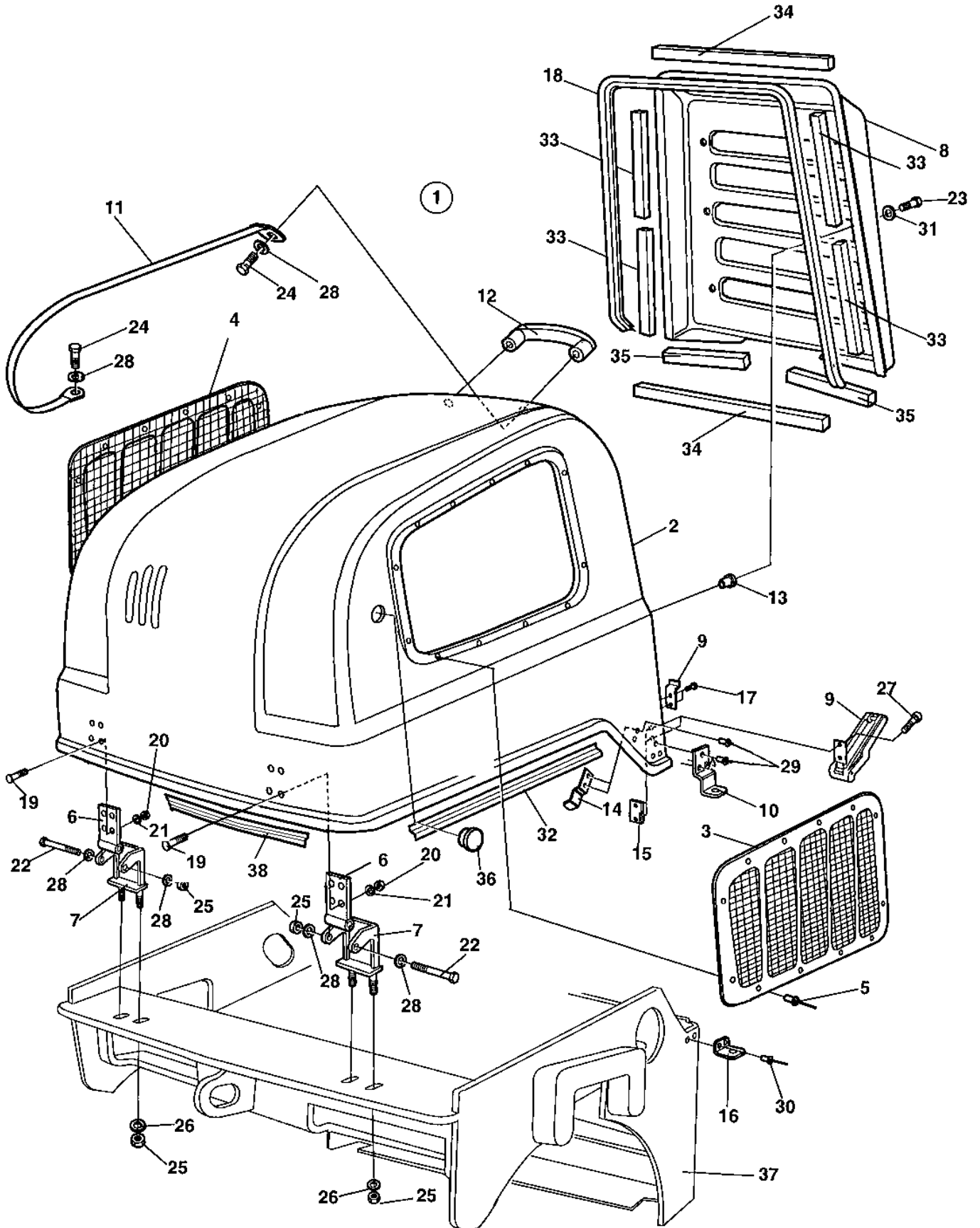
Scrapers

Ref. No.	Part No.	Rem.	Qty	Description	Code
3	387344		2	Sprinkler pipe	
4	387345		2	Scraper bracket	
5	387346		4	Scraper blade	Polyurethan
6	792072		4	End plug	
7	904229		16	Washer	
8	904640		8	Washer	8,4x22x3
9	586003		12	Lock nut	M8
10	500067		8	Screw	M8-1,25x55 8,8
11	500024	B	4	Screw	M8x45
12	387039		4	Upper hold	
13	500105		8	Hexagon screw	
14	791938		8	Washer	
15	791939		16	Bushing	
16	791775		8	Bolt	
17	904229		8	Washer	
18	586003		8	Lock nut	M8
19	586018		8	Lock nut	M10
20	387043		4	Lower hold	
21	791938		8	Washer	
25		C,E	2	Spring loaded scraper	
26	378178	E	4	Bracket	
27	359043	E	2	Spring	D
28	792189	E	4	Eye bolt	
29	570005	E	8	Nut	M8
30	904229	E	4	Washer	
31	792190	E	8	Blind rivet	
32		D,E	2	Spring loaded scraper	
33	378178	E	4	Bracket	
34	792188	E	2	Extension spring	D
35	792189	E	4	Eye bolt	
36	570005	E	8	Nut	M8
37	904229	E	4	Washer	
38	792190	E	8	Blind rivet	

- B) Valid for all scrapers
- C) Used on front and rear drum together with Sprinkler pipe PN 387344
- D) Used on front and rear drum together with holder 387345
- E) Option

Engine hood

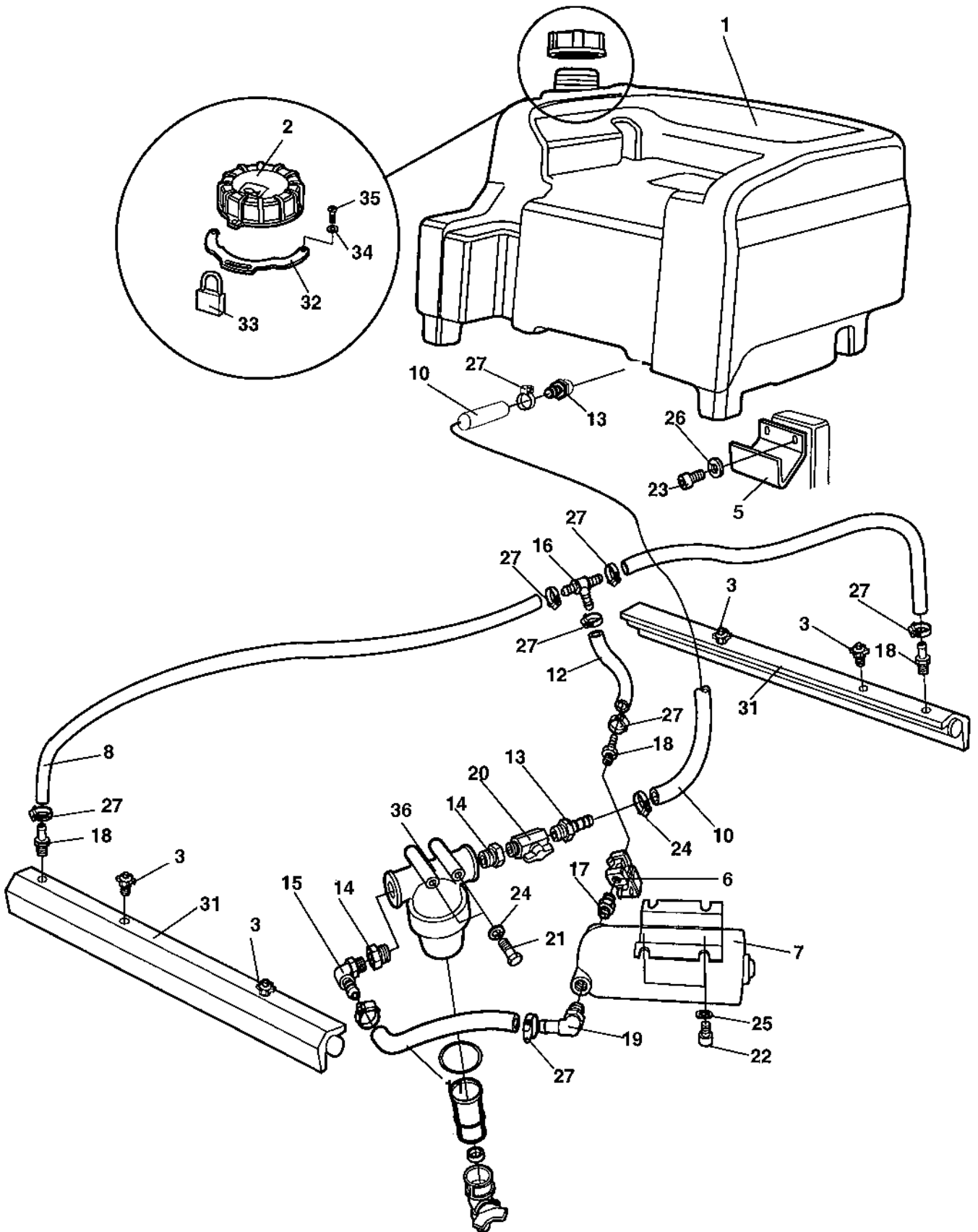
17977-1



Engine hood

Ref. No.	Part No.	Rem.	Qty	Description	Code
1	377042		1	Engine hood	
2			1	.Engine hood	
3	377043		1	.Grid, left	
4	377044		1	.Grid, right	
5	904012		24	.Rivet	
6	387148		2	Hinge	
7	387151		2	Hinge	
8	387154		1	Cover, radiator	
9	388846		2	Latch	
10	377061		1	Lock plate	
11	387947		1	Metal strapping	
12	387948		1	Handle	
13	387949		6	Rubber nut	
14	388733		2	Controlling plate	
15	387956		1	Stop plate	
16	388852		1	Lock plate	
17	791643		4	Screw	
18	902166	A	1	Edge trim	3-5
19	903856		8	Bolt	M06x30
20	586002		8	Lock nut	M6
21	904228		8	Washer	
22	500068		2	Screw	M08x65
23	791559		6	Screw	M06x35
24	500053		3	Screw	M8-1,25x20 8.8
25	586003		6	Lock nut	M8
26	904556		4	Washer	8,4x16x3,0
27	508022		4	Screw	M4x16
28	904229		7	Washer	
29	791754		7	Blind rivet	
30	791754		2	Blind rivet	
31	928381		6	Washer	6,4x18x1,6
32	297018	B	2	Rubber strip	
33	791597	C	4	Rubber strip	
34	791597	D	2	Rubber strip	
35	791597	E	2	Rubber strip	
36	923270		2	Protective plug	
37			1	See sections "Frames"	
38	791228	F	1	Edge trim	

- A) L = 1620 mm
- B) L = 450 mm
- C) L = 125 mm
- D) L = 420 mm
- E) L = 170 mm
- F) Old version, L = 700 mm



Sprinkler system

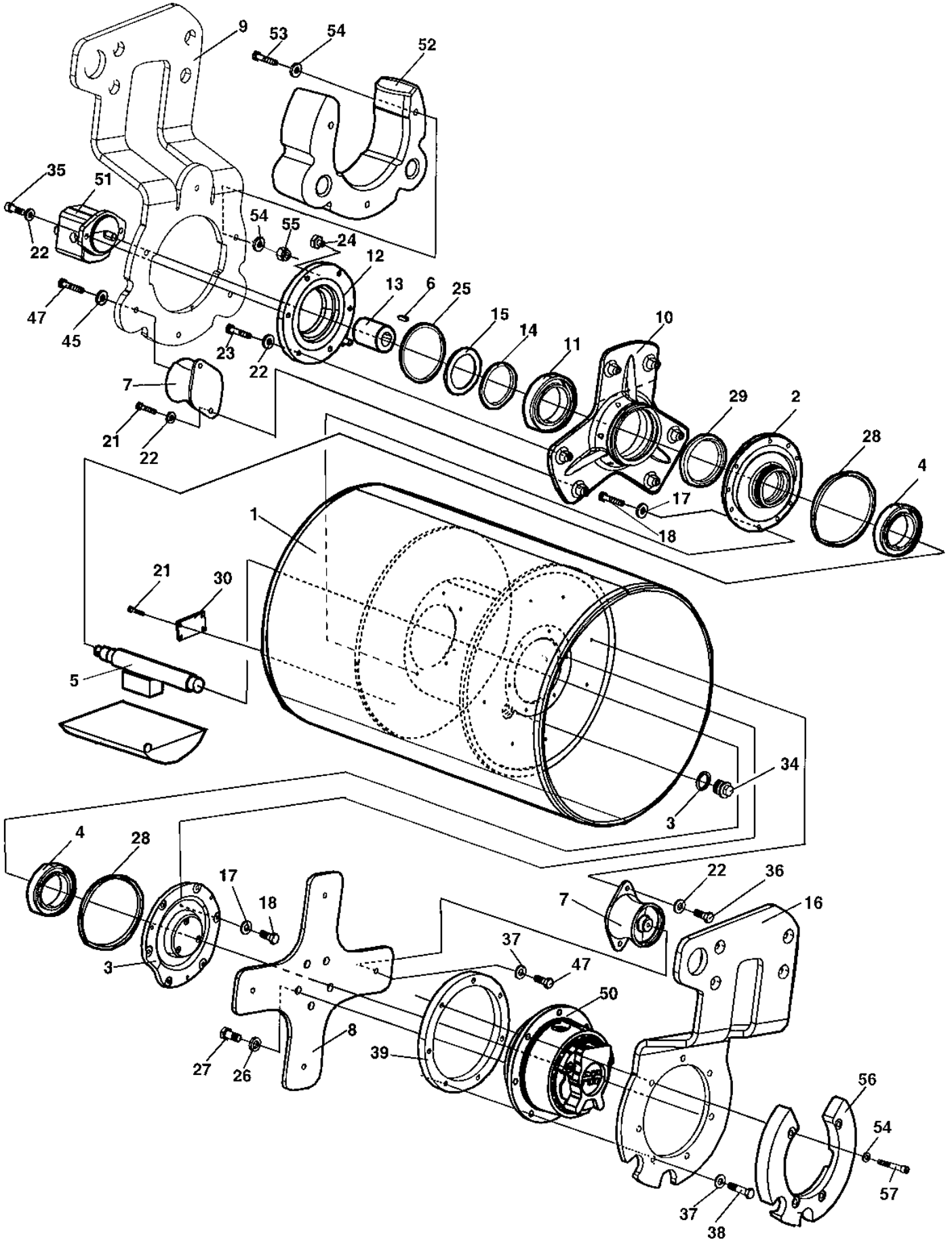
Ref. No.	Part No.	Rem.	Qty	Description		Code
1	389218		1	Water tank, cpl		
2	388087		1	Tank cap		
3	376873	H	4	Spraying nozzle, cpl		
	376874	H	1	.Housing		
	376875	H	1	.Retainer		
	376876	H	1	.Gasket		
	392011	J	4	Spraying nozzle, cpl		
	392508	J	1	.Housing		
	392509	J	1	.Retainer, nozzle, strainer, yellow	0.8	
	376876	J	1	.Gasket		
5	387935		1	Bracket		
6	287713		1	Solenoid valve		
7	383697		1	Water pump		
8	904878	A	1	Hose reinforced		
9	904878	B	1	Hose reinforced		
10	904878	C	1	Hose reinforced		
11	904878	D	1	Hose reinforced		
12	904878	E	1	Hose reinforced		
13	924544		2	Hose connection		
14	903886		2	Adapter		
15	924996		1	Hose connection		D
16	923735		1	Hose connection		
17	377611		1	Straight connector		
18	901432		1	Hose connection		
19	923734		1	Hose connection		
20	924986		1	Valve		
21	500292		2	Screw Up to XXX31097	M6x75	
	500090		2	Screw From XXX31098	M8x75	
22	508004		4	Socket head cap screw	M8-1,25x12H 8.8	
23	500029		2	Screw	M10-1,5x30 8.8	
24	904735		2	Washer Up to XXX31097		
	904640		2	Washer From XXX31098	8,4x22x3	
25	904229		4	Washer		
26	904567		2	Washer	10,5x28x6 HB305	
27	313002		10	Hose clamp	13-20 mm	
29	791977		2	Hose connection		
31		F	2	Sprinkler pipe		
32	389155	G	1	Lock bracket		
33	358881	G	1	Pad lock		
34	904281	G	2	Washer	5,3x10x1	
35	903658	G	2	Screw	M5x10	
36	791950		1	Water strainer, cpl		
37	791959		1	.O-ring		
38	791949		1	.Filter element		B
39	791568		1	.Gasket		
40	379009		1	.Valve		

- A) L = 1565 mm
- B) L = 835 mm
- C) L = 520 mm
- D) L = 160 mm
- E) L = 130 mm
- F) See section "Scraper"
- G) Option
- H) Recommendation: Replace with improved design; interchangeable as cpl. unit
- J) Improved design

Drum

Ref. No.	Part No.	Rem.	Qty	Description	Code
10				Drum (Page 46)	

Drum
17866



Drum

Ref. No.	Part No.	Rem.	Qty	Description	Code	
1	386628		1	Drum		
2	386619		1	Bearing housing		
3	386620		1	Bearing housing		
4	791433		2	Spherical roller bearing		
5	386624		1	Eccentric shaft		
6	350029		1	Key		
7	376783		7	Shock absorber Up to 89231468		
	391984		7	Shock absorber From 89231469		
8	386622		1	Drive disc		
9		A	1	Fork, vibration side		
10	386241		1	Bearing housing		
11	111018		1	Ball bearing	D	
12	358666		1	Adapter		
13	349202		1	Coupling	D	
14	358689		1	Spacer ring		
15	903154		1	Retaining ring		
16		A	1	Fork, drive side		
17	904640		12	Washer	8,4x22x3	
18	500022		12	Screw	M8-1,25x30 8,8	
19	904228		3	Washer		
20	500012		3	Screw	M6x12	
21	500212		6	Screw	M10-1,5x40	
22	904557		22	Washer	10,5x22x4	
23	500029		6	Screw	M10-1,5x30 8.8	
24	343490		1	Air breather		D
25	160132		1	O-ring	124, 50x3, 00	D
26	904558		5	Washer	17x30x6	
27	947694		5	Screw		
28	791425		2	O-ring	174, 20x5, 70	
29	791426		1	Radial lip seal		
30	343801		1	Sign plate		
31	527002		4	Drive screw		
33	162017		1	Seal ring	M30	D
34	343744		1	Magnetic plug	M30	D
35	508029		2	Screw	M10-1,5x30H 8,8	
36	500280		8	Screw	M10x1,5x25	
37	904703		11	Washer	13x24x4	
38	925519		7	Screw		
39	387137		1	Thread ring		
45	904231		3	Washer	13x24x2	
47	947687		7	Screw	M12-1,75x30 10,9	
49	903374		6	Protective plug		
50		B	1	Hydraulic motor		
51		C	1	Hydraulic motor		
52	389434	D	1	Ballast		
53	925228	D	3	Screw	M12x150	
54	904703	D	10	Washer	13x24x4	
55	570007	D	3	Hexagon nut	M12	
56	389432	D	1	Ballast		
57	928198	D	4	Screw		

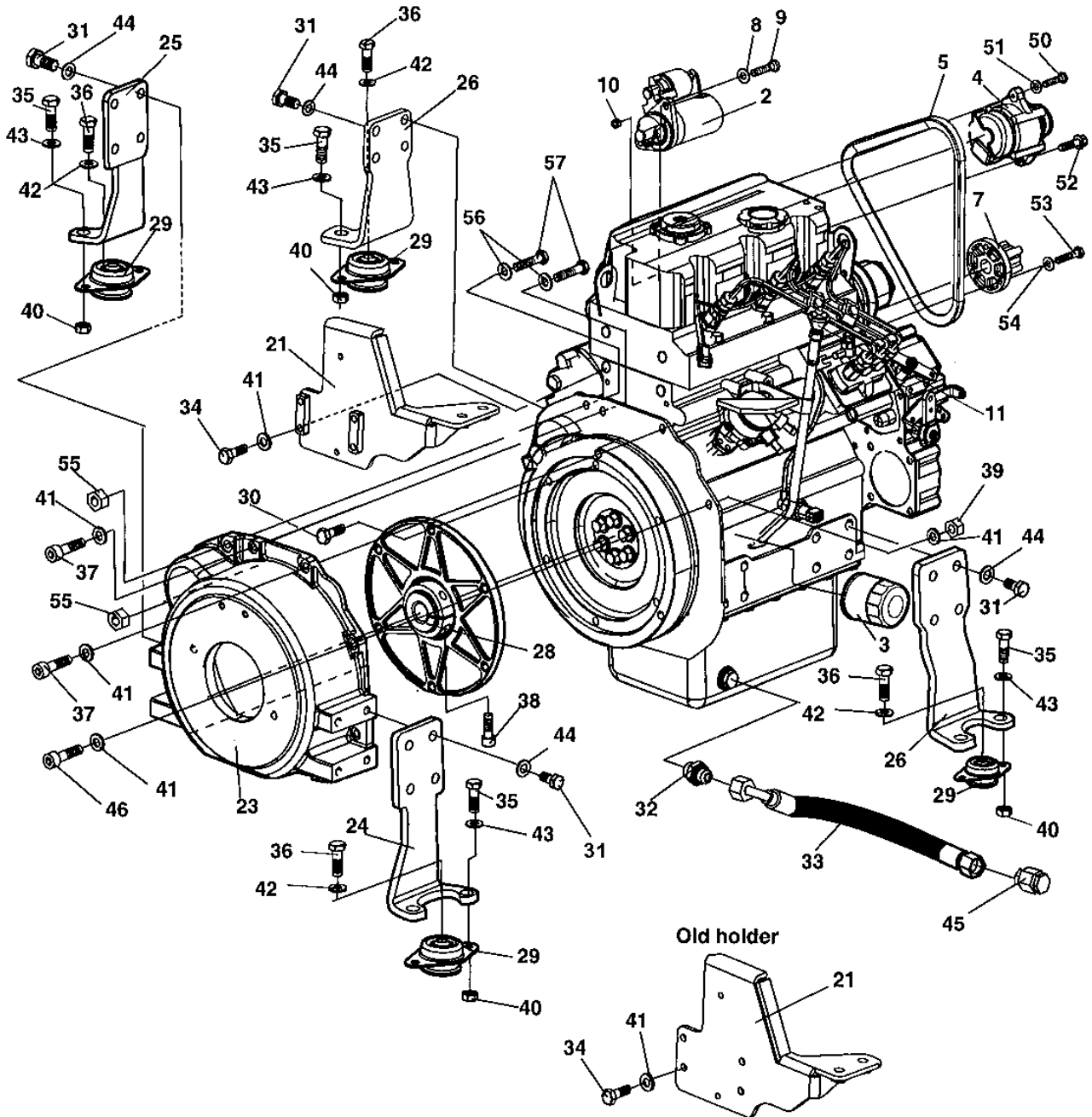
- A) See section " Frame"
- B) See section "Hydraulic propulsion and brake"
- C) See section "Hydraulic vibration"
- D) Option

Engine

Ref. No.	Part No.	Rem.	Qty	Description	Code
10				Engine (Page 50)	Perkins 403C-11
20				Cooling system (Page 52)	
30				Exhaust system (Page 54)	
40				Fuel system (Page 56)	
50				Air intake system (Page 58)	

Engine Perkins 403C-11

17872



Engine Perkins 403C-11

Ref. No.	Part No.	Rem.	Qty	Description	Code
1	386948		1	Engine, Perkins 403C-11	
	940227		1	.Water pump	C
	945123		1	..Gasket	C
	945284		1	.Watertemperature sensor	
	940228		1	.Thermostat	
	940976		1	.Gasket, oil sump	
2	940231		1	.Starter	C
3	376554		1	.Oil filter	A
4	939977		1	.Alternator	C
5	939932		1	.V-belt	A
7			1	.Fan coupling	A
8	904230		2	.Washer	10,5X22X2
9	500161		2	.Screw	M10-1,5x45 8,8
10	570006		2	.Nut	M10
11	940229		1	.Oil dipstick	
12	940447		1	.Fuel solenoid	
13	945286		1	.Washer	
14	945473		1	.Lift pump	
	945629		1	.O-ring, lift pump	
21	389003		1	Holder, air cleaner	
	389003	C	1	Holder, air cleaner	
23	386949		1	Bell housing	
24	376770		1	Engine foot	
25	376771		1	Engine foot	
26	376772		2	Engine foot	
28	357002		1	Coupling	D
29	792026		4	Rubber mounts	D
30	502019		6	Screw	
31	792250		16	Screw	
32	791535		1	Connector	
33	483684		1	Hydraulic hose	
34	500053		4	Screw	M8-1,25x20 8.8
	500022		4	Screw	M8-1,25x30 8,8
35	500029	D	8	Screw	M10-1,5x30 8.8
36	500033		4	Screw	M10-1,5x60 8,8
37	508048		2	Screw	M08x030H 8.8
38	508029		1	Screw	M10-1,5x30H 8,8
39	570005		5	Nut	M8
40	586018		8	Lock nut	M10
41	904229		16	Washer	
42	904230		4	Washer	10,5X22X2
43	904557		8	Washer	10,5x22x4
44	904231		16	Washer	13x24x2
45	791493		1	Steel plug threaded	
46	508048		5	Screw	M08x030H 8.8
50	500047		1	Screw	M8-1,25x35 8,8
51	904640		1	Washer	8,4x22x3
52	500506		1	Screw	
53	508019		3	Screw	M8x25
54	904229		3	Washer	
55	570006		2	Nut	M10
56	904230		2	Washer	10,5X22X2
57		B	2	Screw	

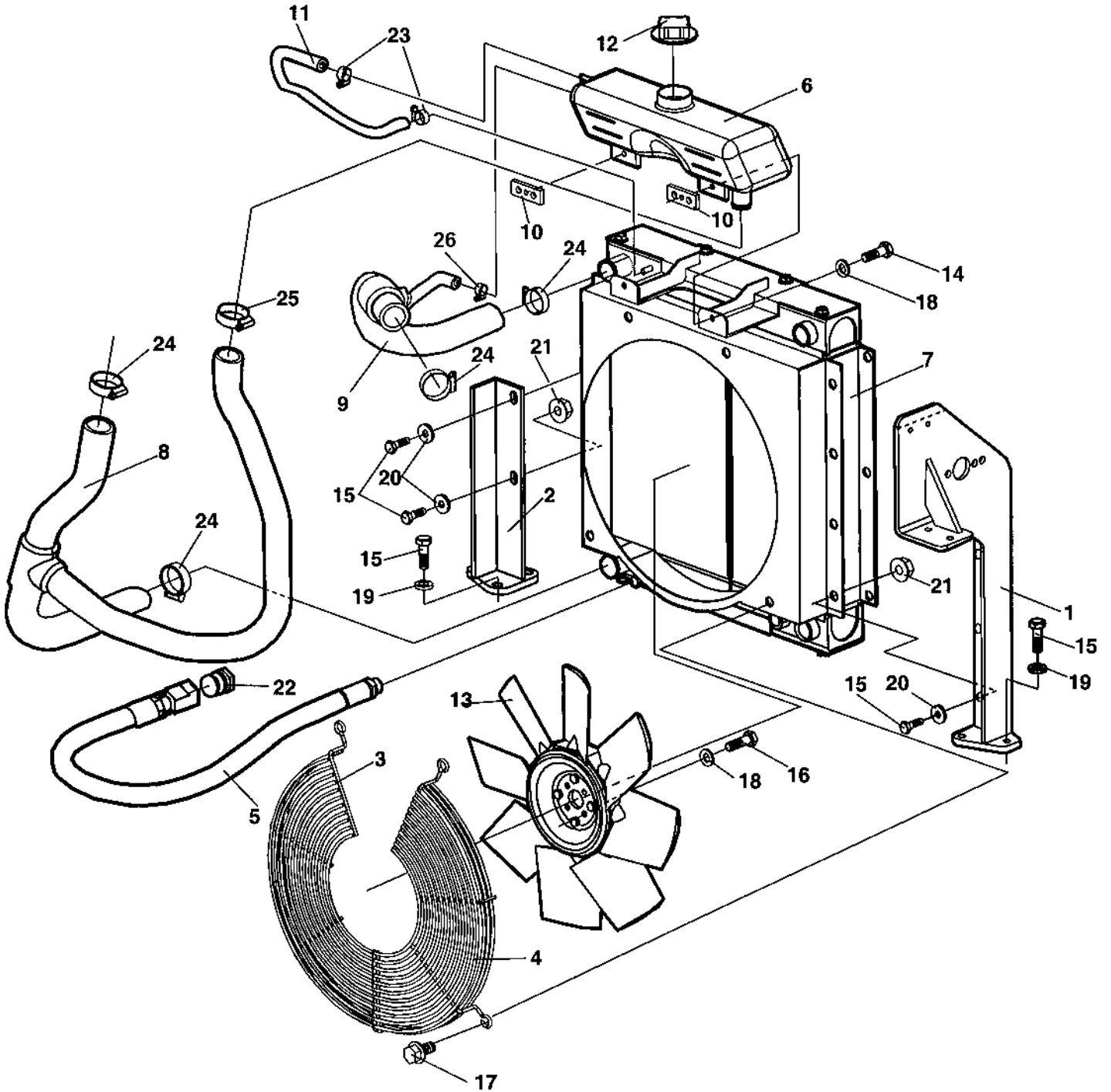
B) Exist on engine

C) New design, spacer has been added. Interchangeable together with screw (pos. 34) PN 500022

D) Intended for new bracket with spacer

Cooling system

17871



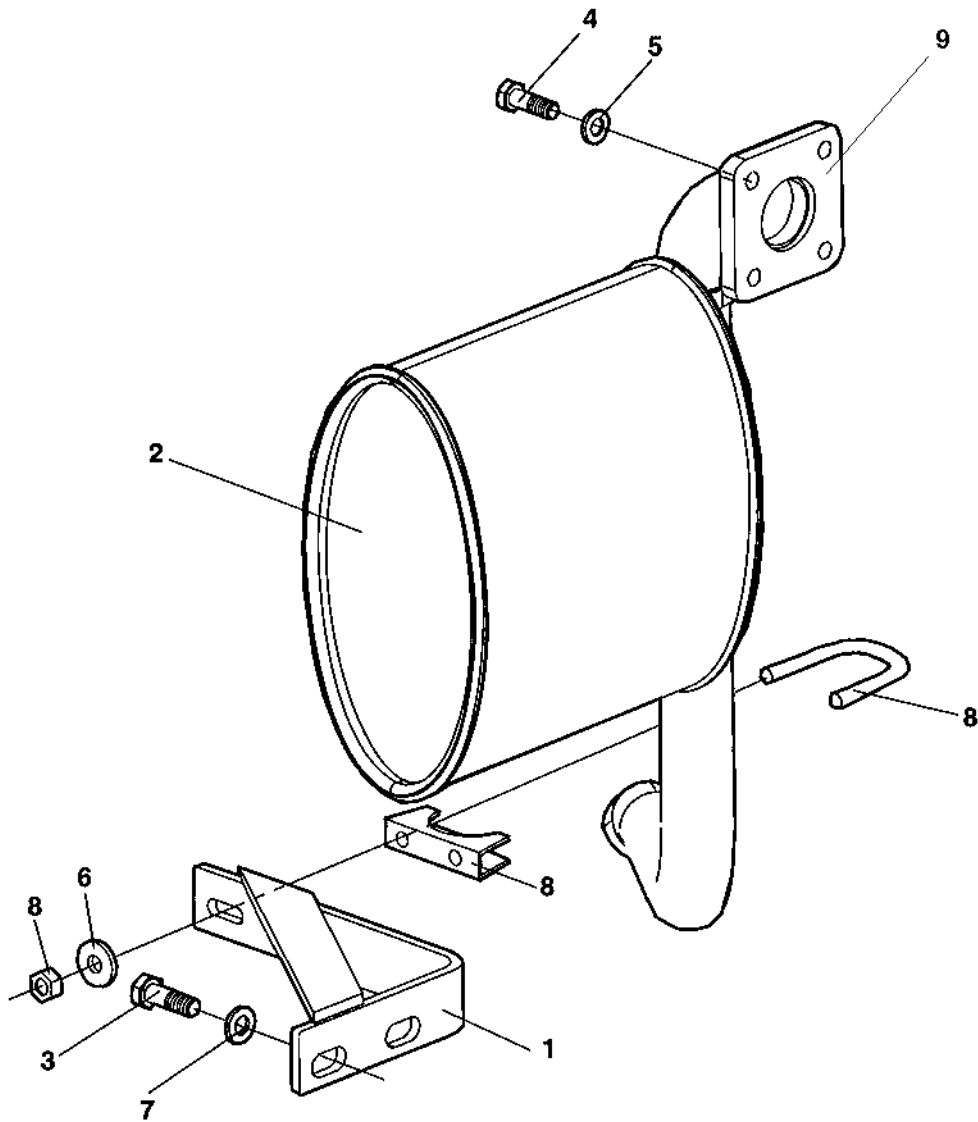
Cooling system

Ref. No.	Part No.	Rem.	Qty	Description	Code
1	387101		1	Cooler bracket	
2	387287		1	Cooler bracket	
3	386963		1	Fan guard	
4	387205		1	Fan guard	
5	791780		1	Drainage hose	
6	386893		1	Expansion reservoir	
7	395227	B	1	Radiator	
8	387099		1	Coolant hose	
9	387100		1	Coolant hose	
10	387428		2	Plate	
11	371785	A	1	Rubber hose	
12	903714		1	Cap	
13	389142		1	Fan	
14	500040		2	Screw	M6-1x20 8,8
15	500021		11	Screw	M8-1,25x25 8.8
16	500040		4	Screw	M6-1x20 8,8
17	901832		4	Screw	M8x16
18	904228		6	Washer	
19	904556		6	Washer	8,4x16x3,0
20	904640		5	Washer	8,4x22x3
21	902286		5	Lock nut	
22	791493		1	Steel plug threaded	
23	313108		2	Hose clamp	
24	313035		4	Hose clamp	
25	313035		1	Hose clamp	
26	313001		1	Hose clamp	

- A) L = 240 mm
 B) Replaces earlier used 386950

Exhaust system

17873



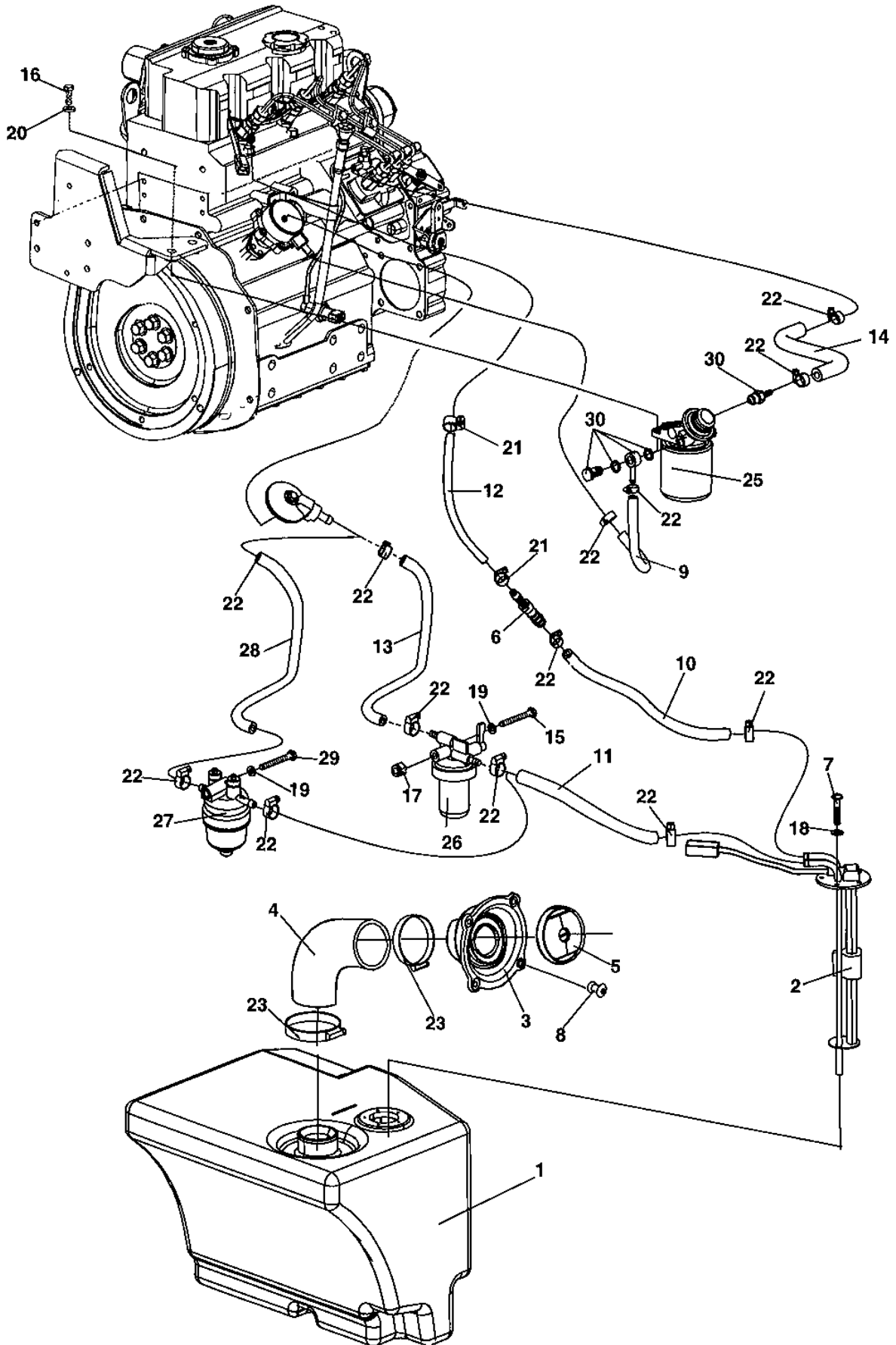
Exhaust system

Ref. No.	Part No.	Rem.	Qty	Description	Code
1	387201		1	Bracket	
2	387097		1	Muffler	
3	791483		2	Screw	M12-1,25x25H 8.8
4	500021		4	Screw	M8-1,25x25 8.8
5	904229		4	Washer	
6	904640		2	Washer	8,4x22x3
7	904703		2	Washer	13x24x4
8	927568		1	Clamp	
9	945878	1	1	Gasket	

1) Delivered with engine.

Fuel system

17875



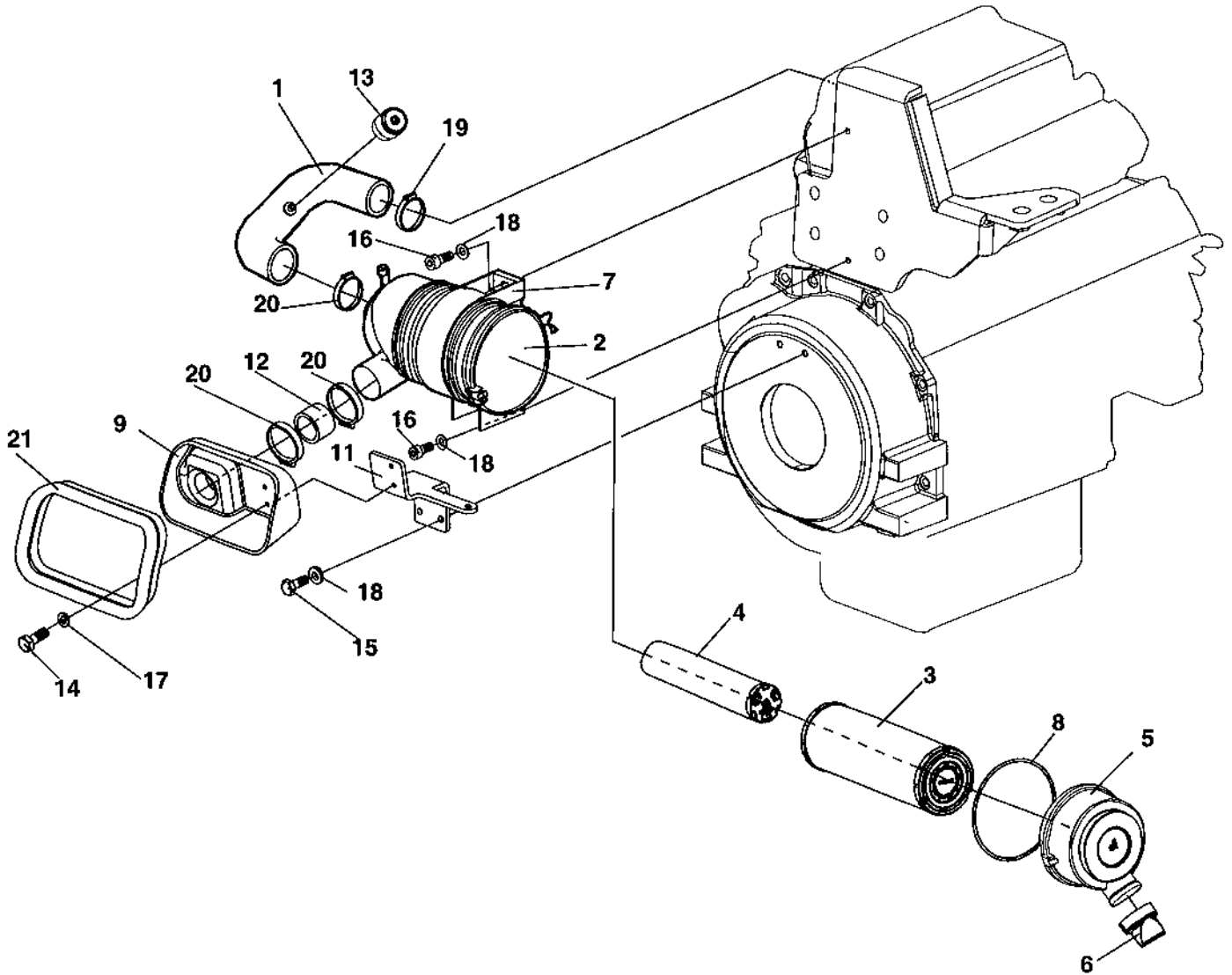
Fuel system

Ref. No.	Part No.	Rem.	Qty	Description	Code
1	387279		1	Fuel tank	
2	387552		1	Level gauge	
	945777		1	.Gasket	
3	387682		1	Filler neck	
4	387695		1	Fuel hose	
5	394253		1	Fuel cap	D
	945753		1	.Key	2pcs "921"
6	791774		1	Hose connection	
7	903236		5	Screw, Thread rolling	K40x20
8	791754		4	Blind rivet	
9	904984	A	1	Fuel hose	D
10	904984	B	1	Fuel hose	D
11	904984	B	1	Fuel hose	D
12	791422	C	1	Hose	
13	904984	D	1	Fuel hose	D
14	904984	E	1	Fuel hose	D
15	500090	F	1	Screw	M8x75
16	500029		2	Screw	M10-1,5x30 8.8
17	586003		1	Lock nut	M8
18	904698		5	Washer	
19	904229		1	Washer	
20	904557		2	Washer	10,5x22x4
21	313108		2	Hose clamp	
22	313108		10	Hose clamp	
23	313023		2	Hose clamp	
25	376555		1	Fuel filter	A
26	940201	F	1	Water separator	
	940202		1	.Filter element	
	940203		1	.O-ring	
27	940894	N	1	Water separator, cpl	
	940922		1	.Filter element	
	940203		1	.O-ring	
28	904984	K	1	Fuel hose	D
29	500068	P	1	Screw	M08x65
30		N		Existing on engine	

- A) L = 465 mm
- B) L = 395 mm
- C) L = 350 mm
- D) L = 260 mm in old version of engine
- E) L = 200 mm
- F) With shut-off valve. Exist on old version of engine
- K) L = 290 mm in new version of engine
- N) In new version of engine, interchangeable together with posision 28 and 29
- P) Exist on new version of engine

Air intake system

17967



Air intake system

Ref. No.	Part No.	Rem.	Qty	Description		Code
1	389019		1	Air inlet hose		
2	386951		1	Air filter		
3	939802		1	.Air filter element	Main	A
4	939803		1	.Air filter element	Safety	A
5	939804		1	.Dust cap		
6	939805		1	.Vacuator cap		
7	939806		1	.Plastic mounting band		
8	939807		1	.O-ring		
9	387118		1	Box		
11	389005		1	Bracket		
12	387200		1	Hose		
13	389036		1	Mechanical indicator		
14	500013		2	Screw	M6-1x16 8,8	
15	500053		2	Screw	M8-1,25x20 8.8	
16	508092		2	Screw	M8-1,25x20H 8,8	
17	904228		2	Washer		
18	904229		4	Washer		
19	313010		1	Hose clamp		
20	313010		3	Hose clamp		
21	288129	A	N	Edge trim		

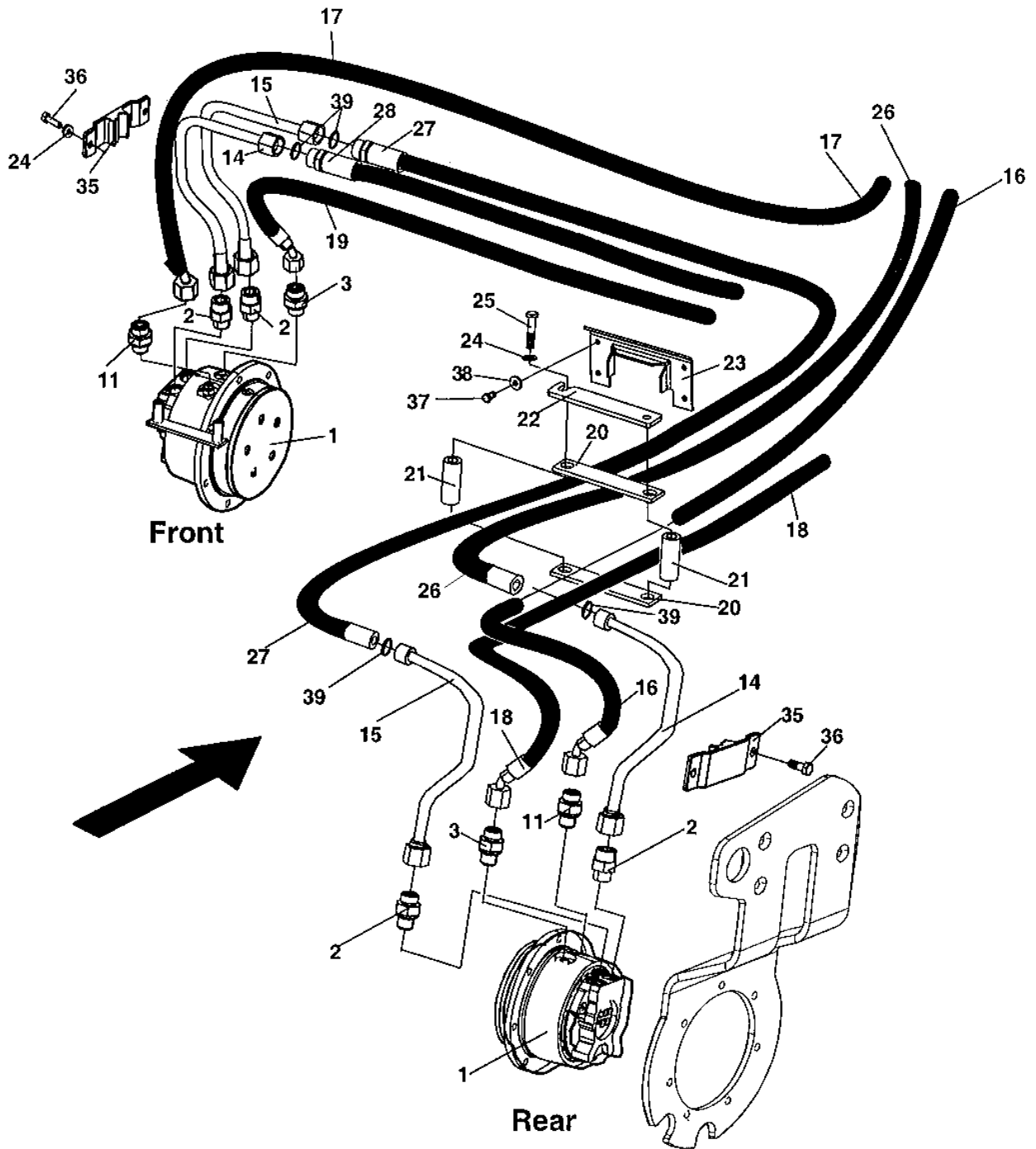
A) L = 0,66 m

Hydraulic system

Ref. No.	Part No.	Rem.	Qty	Description	Code
10				Hydraulic propulsion and brake system (Pagmotor	
20				Hydraulic propulsion and brake system (Pagpump	
30				Hydraulic vibration (Page 66)	
50				Hydraulic steering (Page 70)	

Hydraulic propulsion and brake system motor

17868



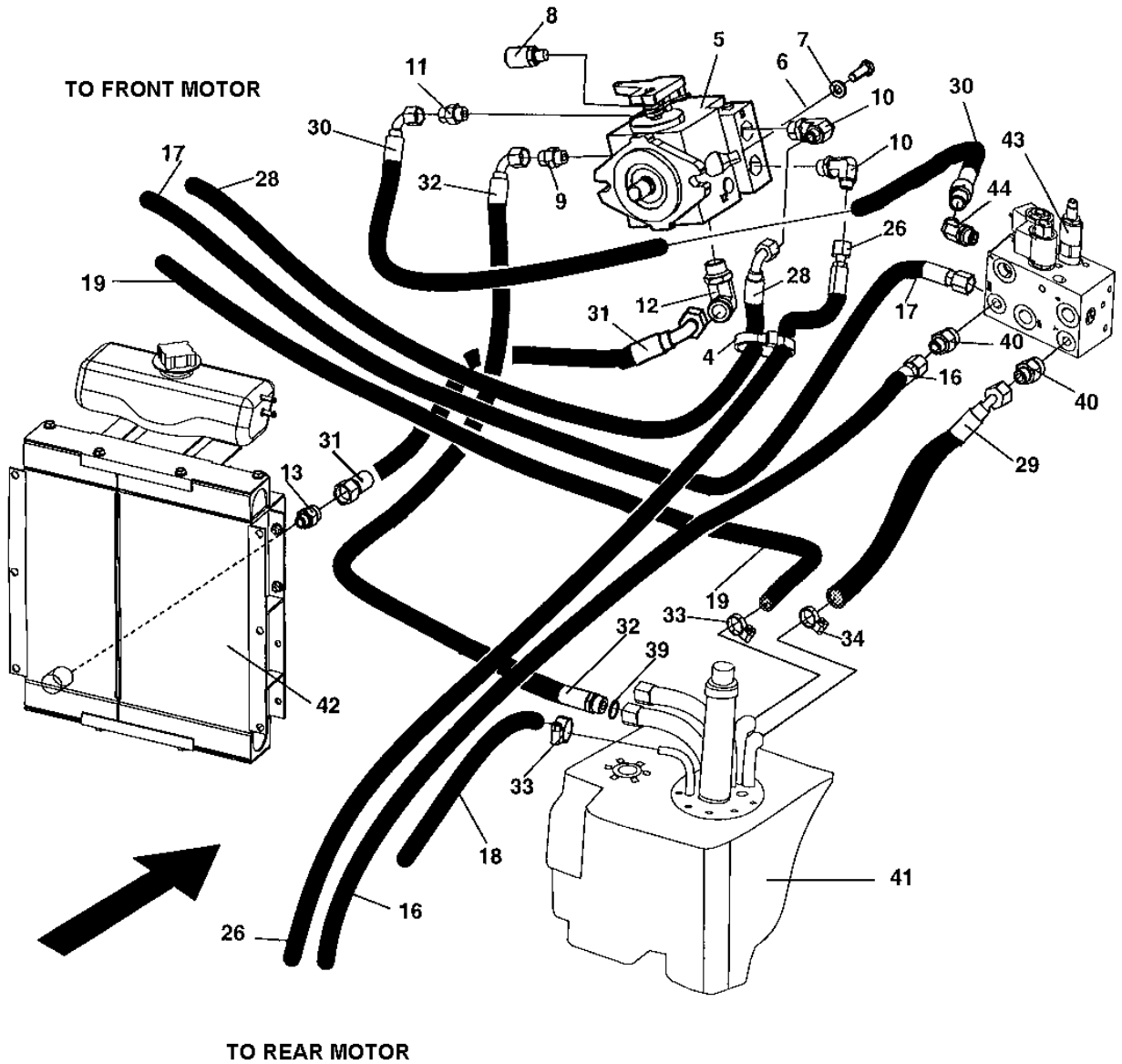
Hydraulic propulsion and brake system motor

Ref. No.	Part No.	Rem.	Qty	Description	Code
1	387270		2	Hydraulic motor	
	945532		1	Sealing kit	Debraking system
	945531		1	Seal kit	Rotating parts
2	904641		4	Connector	
3	791535		2	Connector	
11	791537		2	Straight connector	
14	387597		2	Pipe	
15	387598		2	Pipe	
16		A	1	Hydraulic hose	
17		A	1	Hydraulic hose	
18		A	1	Hydraulic hose	
19		A	1	Hydraulic hose	
20	387678		2	Rubber part	
21	387677		2	Spacer sleeve	
22	387676		1	Hose bracket	
23	389556		1	Rubber part	
24	904229		6	Washer	
25	500068		2	Screw	M08x65
26		A	1	Hydraulic hose	
27	483646		1	Hydraulic hose	
28		A	1	Hydraulic hose	
35	388960		2	Hose clamp	
36	500053		4	Screw	M8-1,25x20 8.8
37	500019		4	Screw	
38	904640		4	Washer	8,4x22x3
39	904009		4	O-ring	D

A) See section " Propulsion system, pump"

Hydraulic propulsion and brake system pump

17946



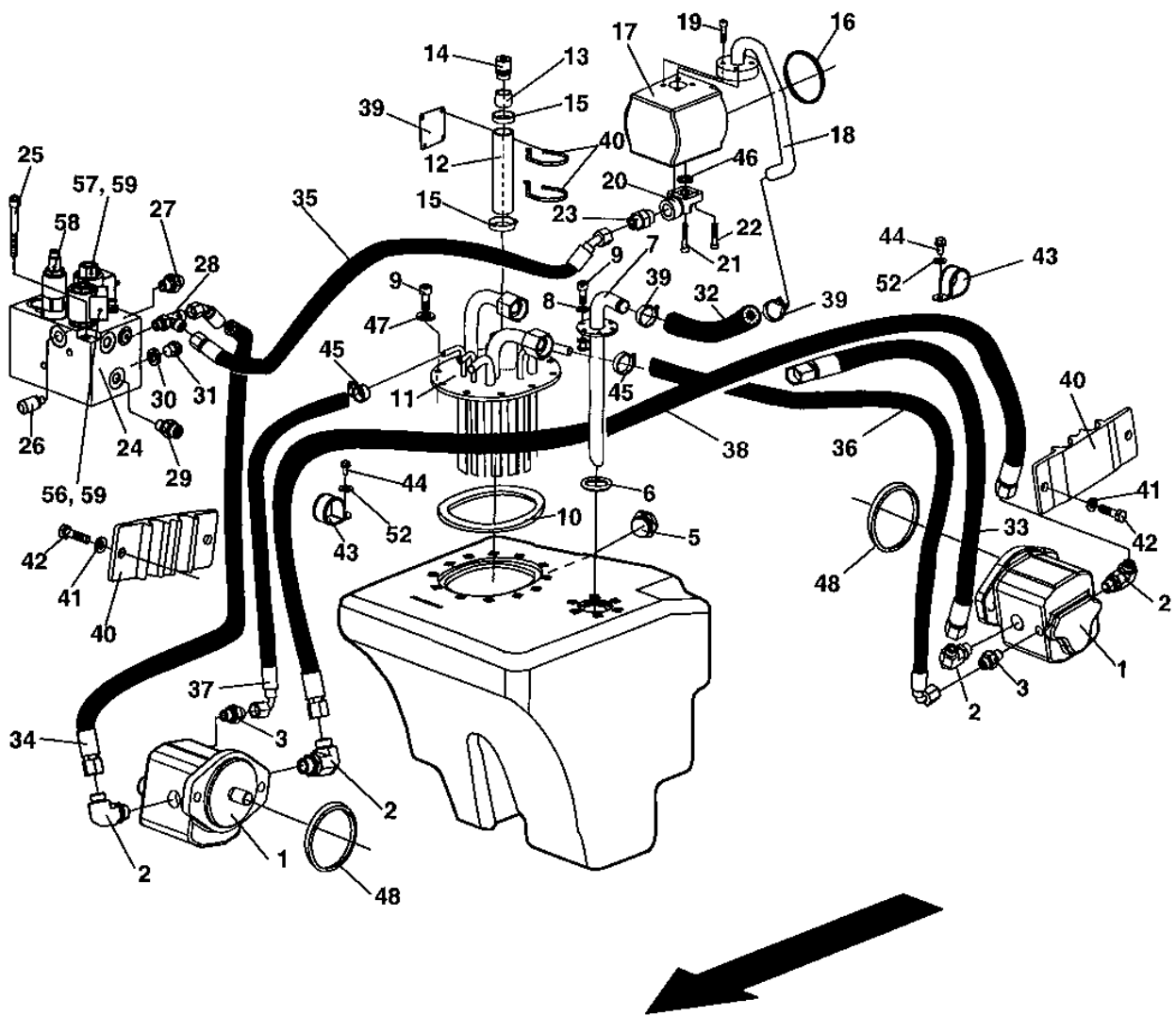
Hydraulic propulsion and brake system pump

Ref. No.	Part No.	Rem.	Qty	Description	Code
4	313102		1	Cable ties	
5	387269		1	Hydraulic pump	
	940613		1	.Seal kit	
6	904703		2	Washer	13x24x4
7	500037		2	Screw	M12-1,75x35 8,8
8	901157		1	Measuring nipple	D
9	791412		1	Straight o-ring connector	
10	791599		2	Elbow 90	
11	791537		1	Straight connector	
12	791549		1	Elbow adapter 90	
13	791539		1	Straight connector	
16	483689		1	Hydraulic hose	
17	483690		1	Hydraulic hose	
18	389403		1	Hydraulic hose	
19	389404		1	Hydraulic hose	
26	483665		1	Hydraulic hose	
28	483647		1	Hydraulic hose	
29	389400		1	Hydraulic hose	
30	483652		1	Hydraulic hose	
31	483879		1	Hydraulic hose	
32	483661		1	Hydraulic hose	
33	313001		2	Hose clamp	
34	313108		1	Hose clamp	
39	904009		1	O-ring	D
40	791538		1	Straight connector	
41		B	1	Hydraulic tank	
42		C	1	Radiator	
43		B	1	Combination valve	
44	791543	D	1	Elbow 45 From 89230764	

B) See section " Hydraulic vibration"

C) See section " Cooling system"

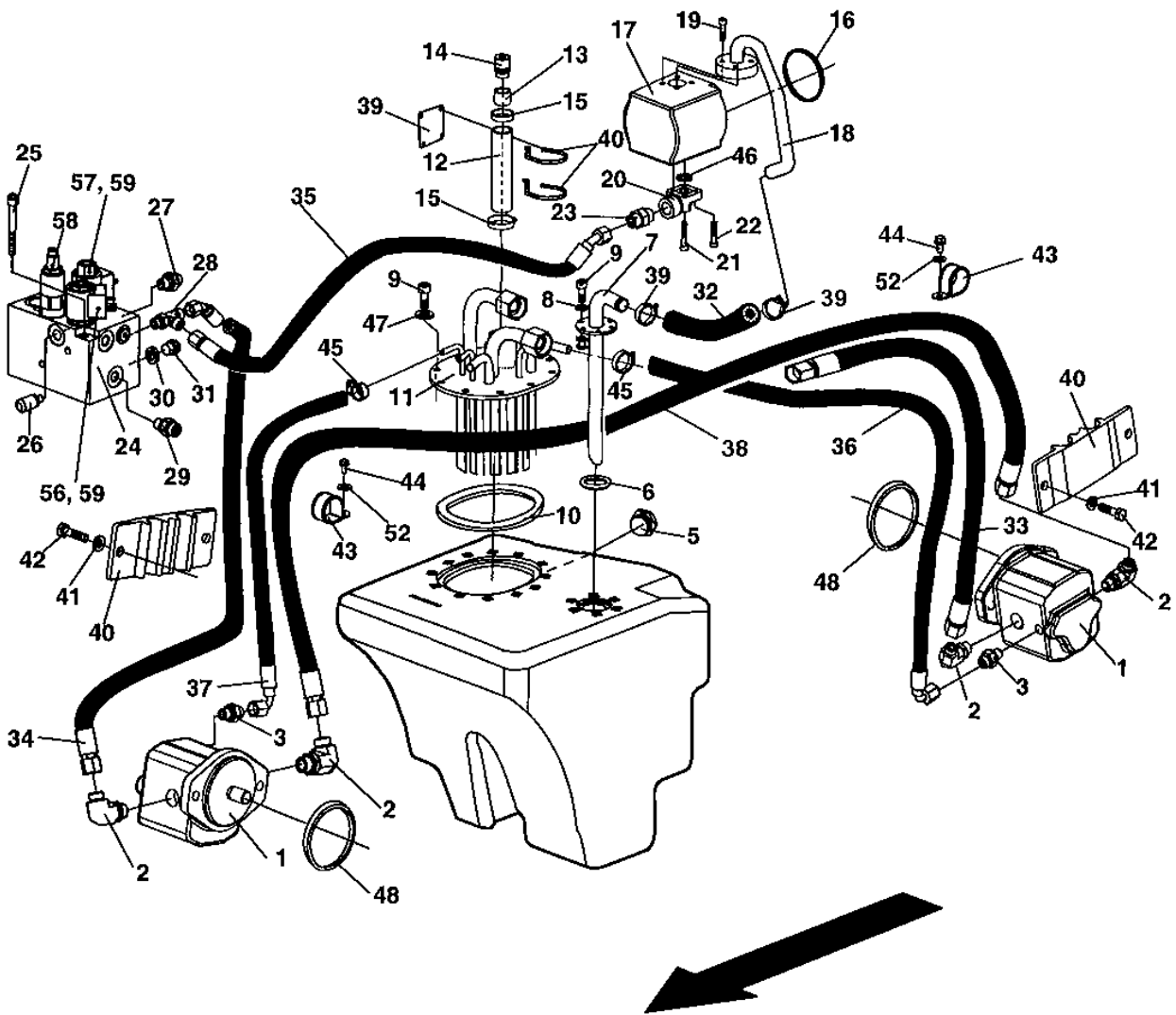
D) Replace one PN 791538



Hydraulic vibration

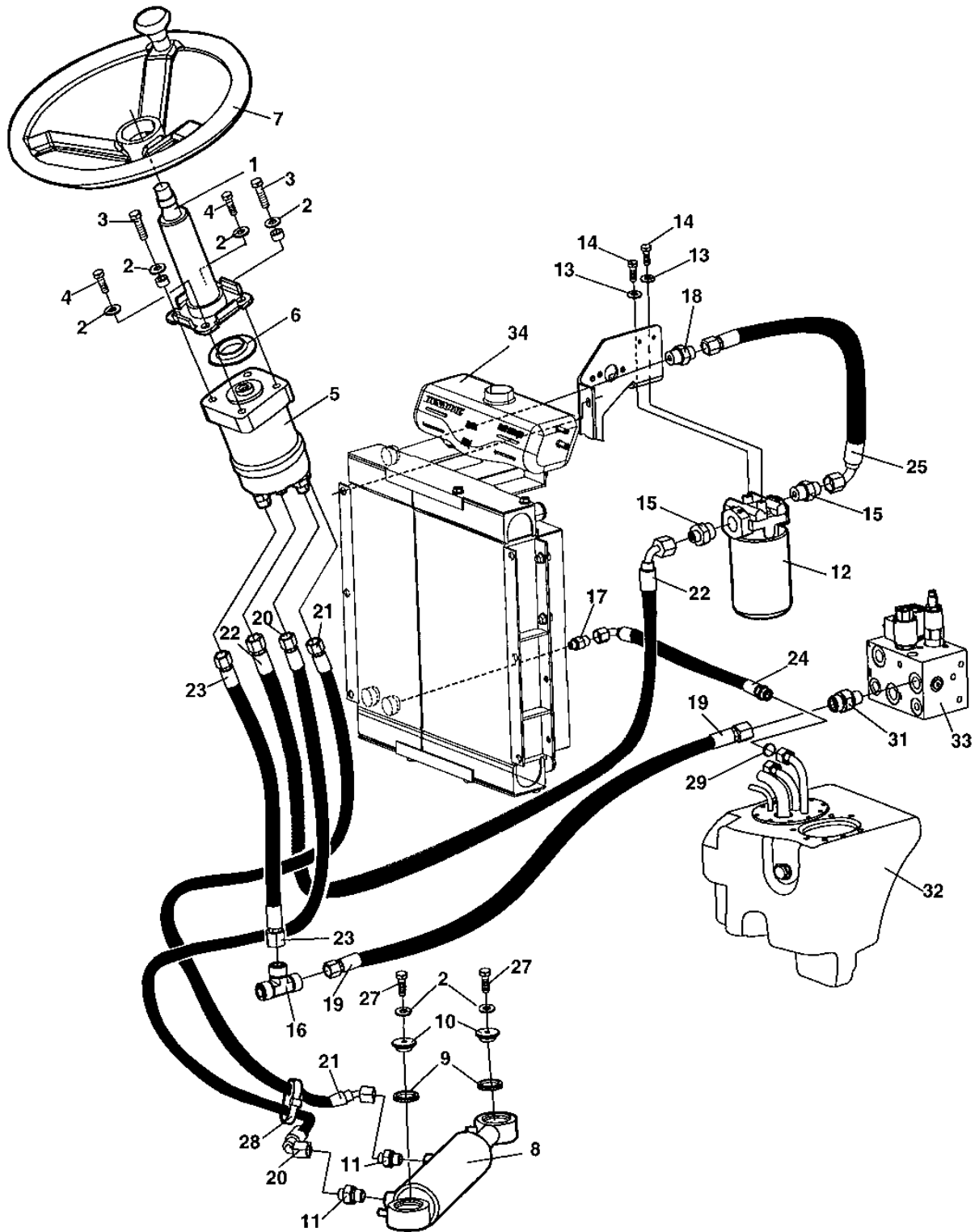
Ref. No.	Part No.	Rem.	Qty	Description	Code
1	387272		2	Hydraulic motor Up to 89231931	
	945312		1	Seal kit Up to 89231931	
	390316		2	Hydraulic motor From 89231932	
	945340		1	Seal kit From 89231932	
2	791699		4	Elbow 90	
3	791541		2	Straight connector	
4	387278		1	Hydraulic oil tank	
5	791395		1	Sight plug	
6	791794		1	O-ring	
7	387758		1	Suction pipe	
8	904228		6	Washer	
9	508002		16	Screw	
10	792070		1	O-ring	
11	387713		1	Return filler pipe	
12	205067	A	N	Rubber hose	
13	357139		1	Connector	
14	357138		1	Ventilating filter	A
15	313008		2	Hose clamp	D
16	160101		1	O-ring	
17	387271		1	Hydraulic pump	
	937813		1	.Seal kit	
18	387704		1	Suction pipe	
19	508012		4	Screw	
20	791417		1	Flange fitting	
21	791322		2	Screw	
22	508025		2	Screw	M6x20
23	791407		1	Straight o-ring connector	
24	388194		1	Combination valve	
25	508094		2	Screw	
26	901157		1	Measuring nipple	D
27		B	1	Straight o-ring connector	D
28	791700		1	Tee-connector	
29	791538		4	Straight connector	
30	162015		1	Seal ring	D
31	232160		1	Plug	
32	791941		1	Hydraulic hose	
33	483649		1	Hydraulic hose	
34	483664		1	Hydraulic hose	
35	483658		1	Hydraulic hose	
36	389401		1	Hydraulic hose	
37	389402		1	Hydraulic hose	
38	483691		1	Hydraulic hose	
39	313035		2	Hose clamp	
40	388653		2	Hose clamp	
41	904229		4	Washer	
42	500053		4	Screw	M8-1,25x20 8.8
43	283711		3	Hose clamp	
44	508092		3	Screw	M8-1,25x20H 8,8
45	313108		2	Hose clamp	
46	791778		1	O-ring	
47	904735		10	Washer	
48	160032		2	O-ring	D
52	904556		3	Washer	8,4x16x3,0
53	380343		1	Decal	
54	925802		2	Cable ties	L=142 mm
56	940885	C	1	Solenoid valve, cpl	
57	940886	C	1	Solenoid valve, cpl	

- A) L = 0,22m
- B) See section "Hydraulic steering"
- C) Complite with Pos. 24.



Hydraulic vibration

Ref. No.	Part No.	Rem.	Qty	Description	Code
58	940888	C	1	Valve	
59	940887	C	1	Coil	
C)	Complite with Pos. 24.				



Hydraulic steering

Ref. No.	Part No.	Rem.	Qty	Description	Code
1	902123		1	Steering column	
2	904230		6	Washer	10,5X22X2
3	500031		2	Screw	M10-1,5x40 8,8
4	500048		2	Screw	M10-1,5x20 8.8
5	387274		1	Steering valve	
6	928830		1	Rubber washer	
7	372964		1	Steering wheel, cpl	
	935614		1	.Turning knob	D
	935613		1	.Cover	
8	387275		1	Hydraulic cylinder	
	945526		2	.Bearing	
9	791565		2	Sealing	
10	376861		2	Washer	
11	791542		2	Straight connector	
12	387277		1	Hydraulic oil filter, cpl	
	376636		1	.Cleaning filter element	Maximum 50 hours use
	376637	C	1	Filter element	A
13	904229		2	Washer	
14	500053		2	Screw	M8-1,25x20 8.8
15	791408		2	Straight o-ring connector	
16	791701		1	Tee-connector	
17	791540		1	Straight connector	
18	791410		1	Straight o-ring connector	
19	483653		1	Hydraulic hose	
20	483654		1	Hydraulic hose	
21	483655		1	Hydraulic hose	
22	483656		1	Hydraulic hose	
23	483657		1	Hydraulic hose	
24	483696		1	Hydraulic hose	
25	483662		1	Hydraulic hose	
26	355869		2	Spacer sleeve	
27	947684		2	Screw	
28	313102		1	Cable ties	
29	904009		1	O-ring	D
31	791412		1	Straight o-ring connector	
32		A	1	Hydraulic tank	
33		A	1	Combination valve	
34		B	1	Radiator	

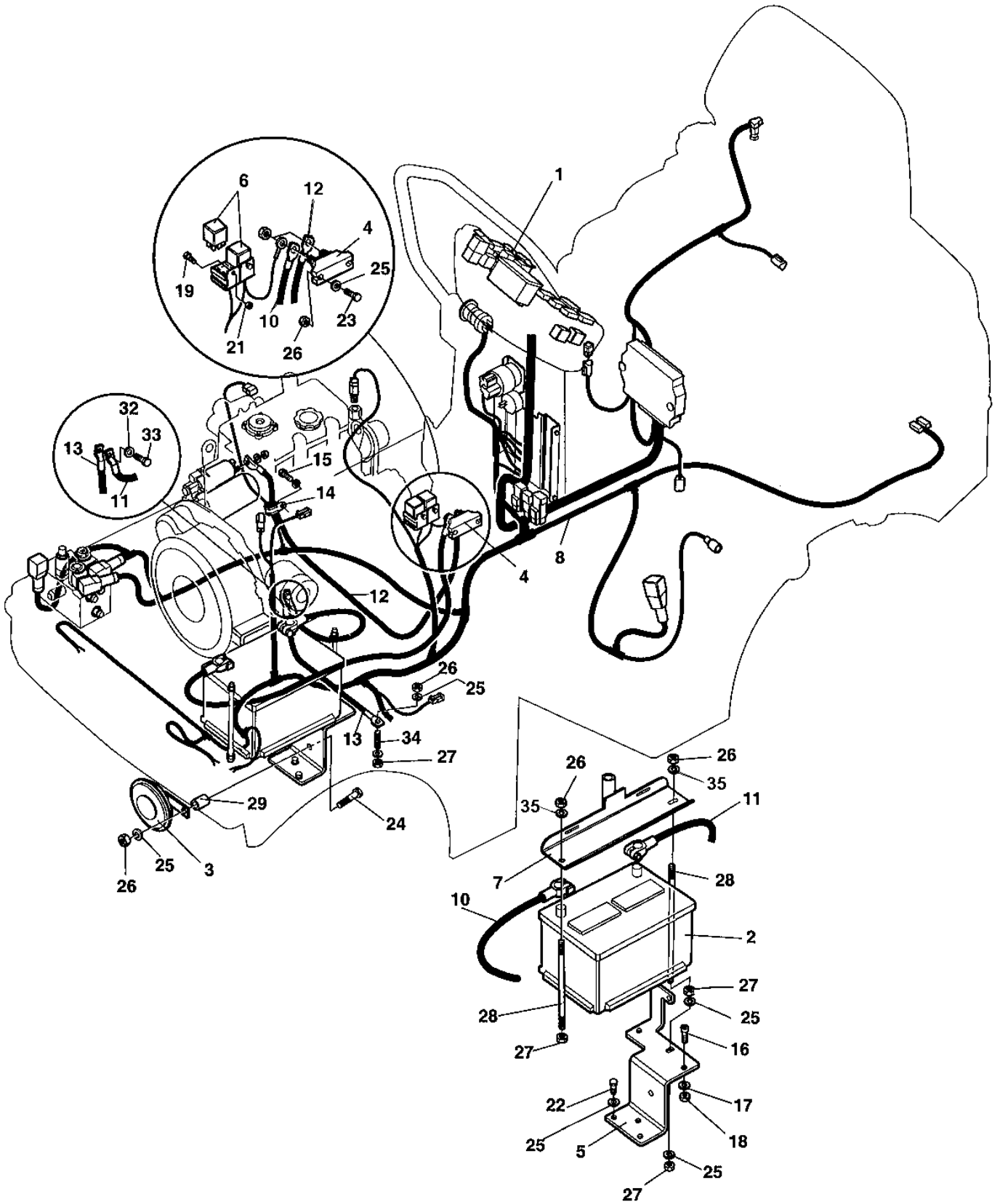
A) See section " Hydraulic vibration"

B) See section " Cooling system "

C) Spare part for ordinary service

Electrical equipment

Ref. No.	Part No.	Rem.	Qty	Description	Code
10				Electrical equipment (Page 74)	
20				Control panel, relays (Page 76)	
21				Driving lights (Page 78)	Option
22				Working lights (Page 80)	Option
23				Rotating beacon with Rops (Page 82)	Option
24				Back-up alarm (Page 84)	Option



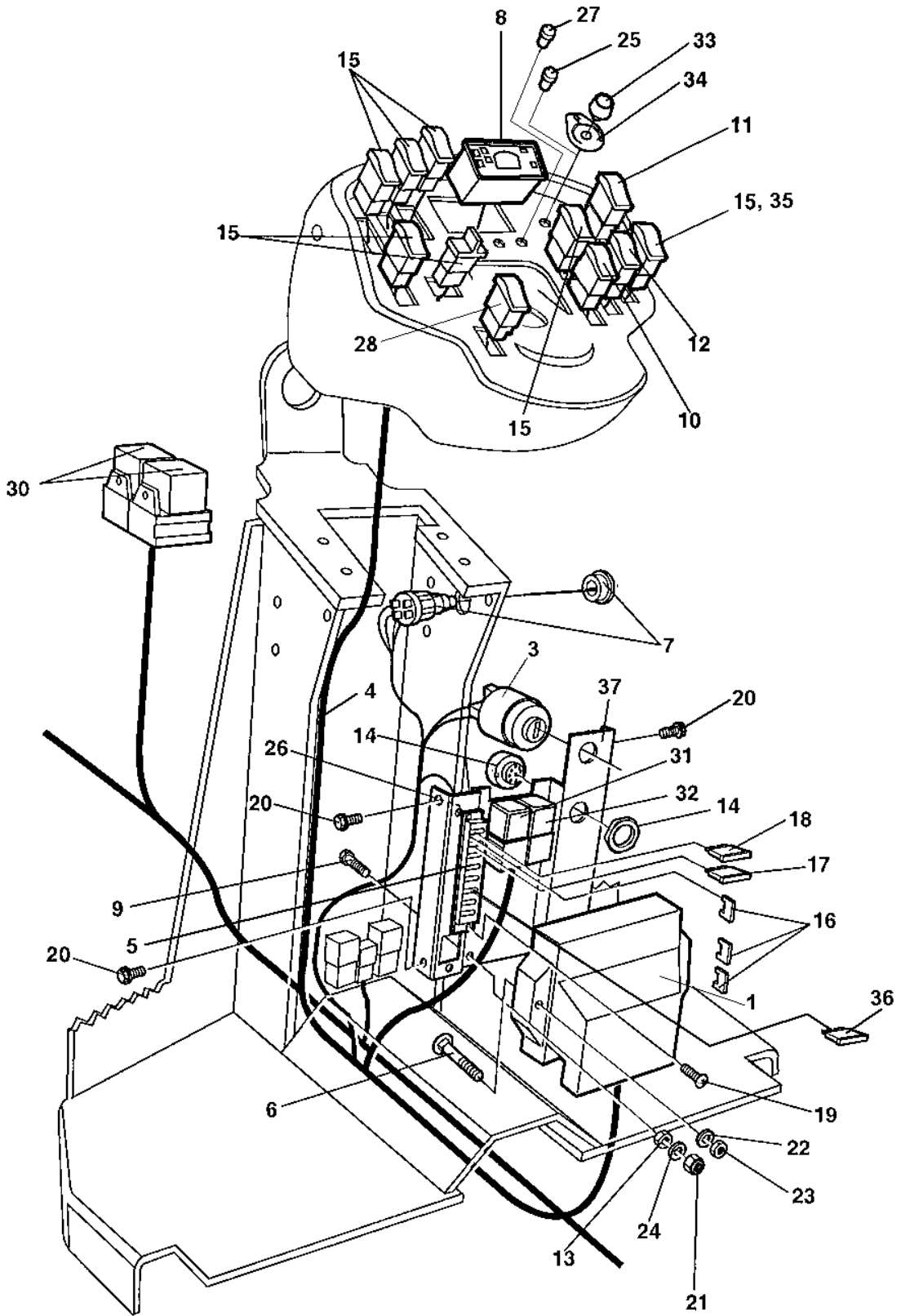
Electrical equipment

Ref. No.	Part No.	Rem.	Qty	Description	Code
1			1	Control panel	
2	791502		1	Battery	
3	999027		1	Horn	D
4	377058	A	1	Connection block	
5	387284		1	Battery shelf	
6	903956		2	Relay	D
7	388721		1	Battery holder	
8	388009		1	Cable harness	
10	792019		1	Battery cable	
11	792020		1	Battery cable	
12	377063		1	Connection cable, coarse	
13	791639		1	Connection cable, coarse	
14	921050		1	Clamp	
15	508092		1	Screw	M8-1,25x20H 8,8
16	508041		2	Screw	M4x12H
17	904698		2	Washer	
18	923976		2	Nut	
19	500006		2	Screw	M5x16
21	586001		2	Lock nut	M5
22	500053		3	Screw	M8-1,25x20 8.8
23	500021		2	Screw	M8-1,25x25 8.8
24	500024		1	Screw	M8x45
25	904229		11	Washer	
26	586003		6	Lock nut	M8
27	570005		4	Nut	M8
28	791550		2	Threaded stud	
29	355704		1	Spacer sleeve	
30	904228		1	Washer	
31	570004		1	Nut	M6
32	904231		1	Washer	13x24x2
33	791483		1	Screw	M12-1,25x25H 8.8
34	903768		1	Threaded stud	
35	904556		2	Washer	8,4x16x3,0

A) Exist in machines without battery disconnecter.

Control panel, relays

17978-1



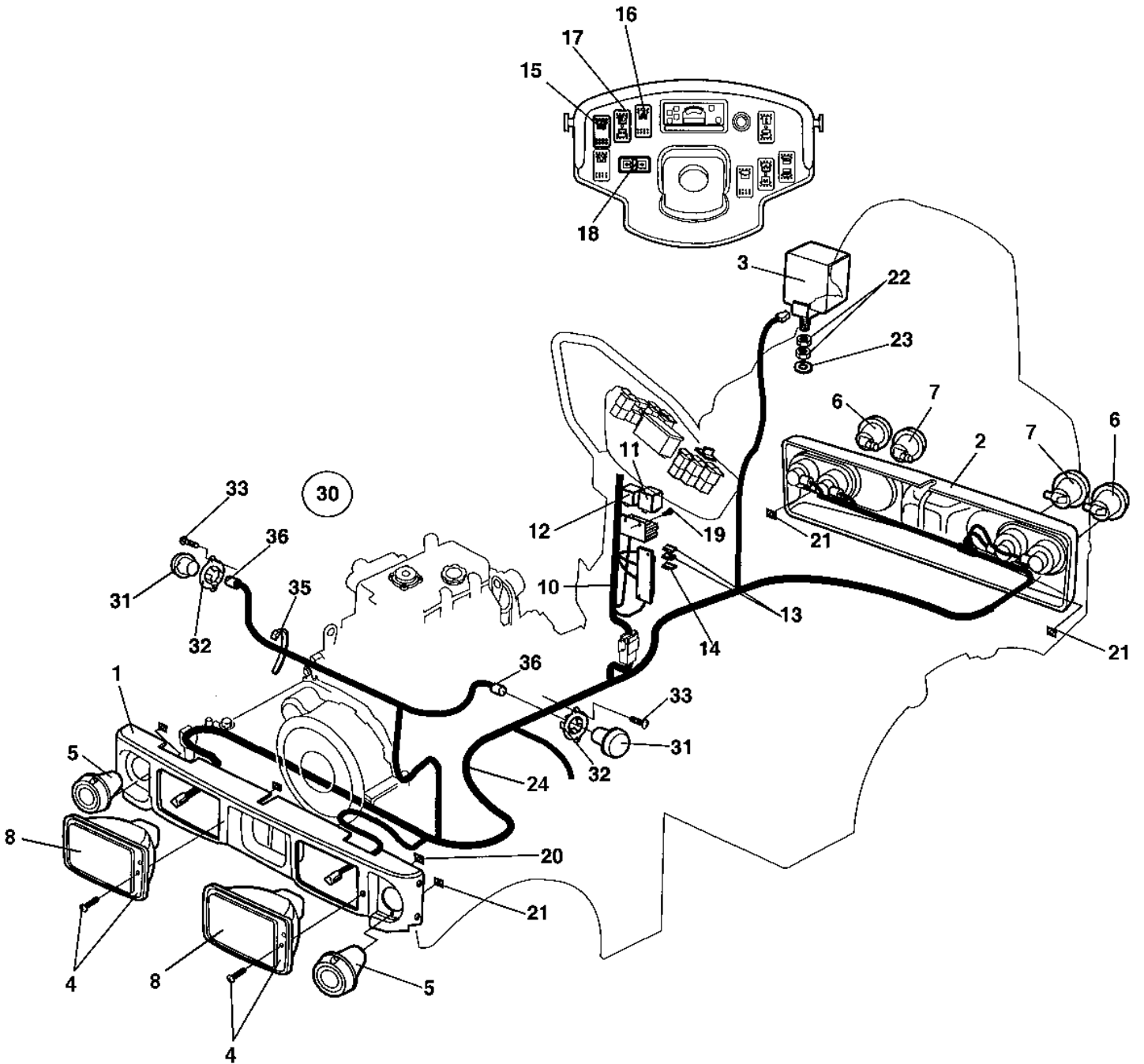
Control panel, relays

Ref. No.	Part No.	Rem.	Qty	Description	Code
1		L	1	Control unit with software	
			1	.Decal	
		L	1	.Software	
	378932		1	.Instruction	D
3	238158		1	Ignition switch	
	940451		1	.Key	
4	388010		1	Cable harness Up to 89230282	
	791060		3	.Diode	
	378710	M	1	Cable harness From 89230283 Up to 89231944	
	791060		3	.Diode	
	393956		1	Cable harness From 89231945	
5	791185		1	Fuse box	
6	791775		2	Bolt	
7	791647		1	Emergency stop	
8	388008		1	Control panel	
9	500075		1	Screw	M6-1,0x25 8.8
10	791578		1	Switch, horn	
11	791579		1	Switch, sprinkler	
12	791580		1	Switch, vibration	
13	570004		1	Nut	M6
14	385599		1	Buzzer	
15	791588	D	7	Panel plug	
16	791211		3	Contact bridge Up to 89232138	
	791211		2	Contact bridge From 89232139	
17	901228		1	Fuse	15A
18	903741		1	Fuse	20A Yellow Medium
19	901767		2	Screw	ST3,5x9,5 Black
20	903782		4	Screw	M5x12
21	586002		1	Lock nut	M6
22	904556		2	Washer	8,4x16x3,0
23	586003		2	Lock nut	M8
24	904228		1	Washer	
25	792083	E	1	Plug	
26	202042	A	1	Rubber strip	
27	792320		4	Plug	
28	791582		1	Switch, parking brake From 89231945	
30		C	2	Relay	
31		B	1	Relay	
32		B	1	Relay	
33	388737	F	1	Potentiometer	
34	377139	F	1	Decal	
35	791581	F,G	1	Switch	
36	901227	H	1	Fuse	10A
37	387683		1	Distribution control plate	B

- A) L = 70 mm
- B) See section "driving lights"
- C) See section "Electric equipment"
- D) For Option switch, see another section of Electrical system or Optional equipment
- E) Interchangeable to timer pos. 33, 34
- F) Option
- G) See section "Vibration shot-off one drum"
- H) Option, Rotating beacon
- L) Machine SN required when placing order
- M) New length 800 mm

Driving lights Option

17991



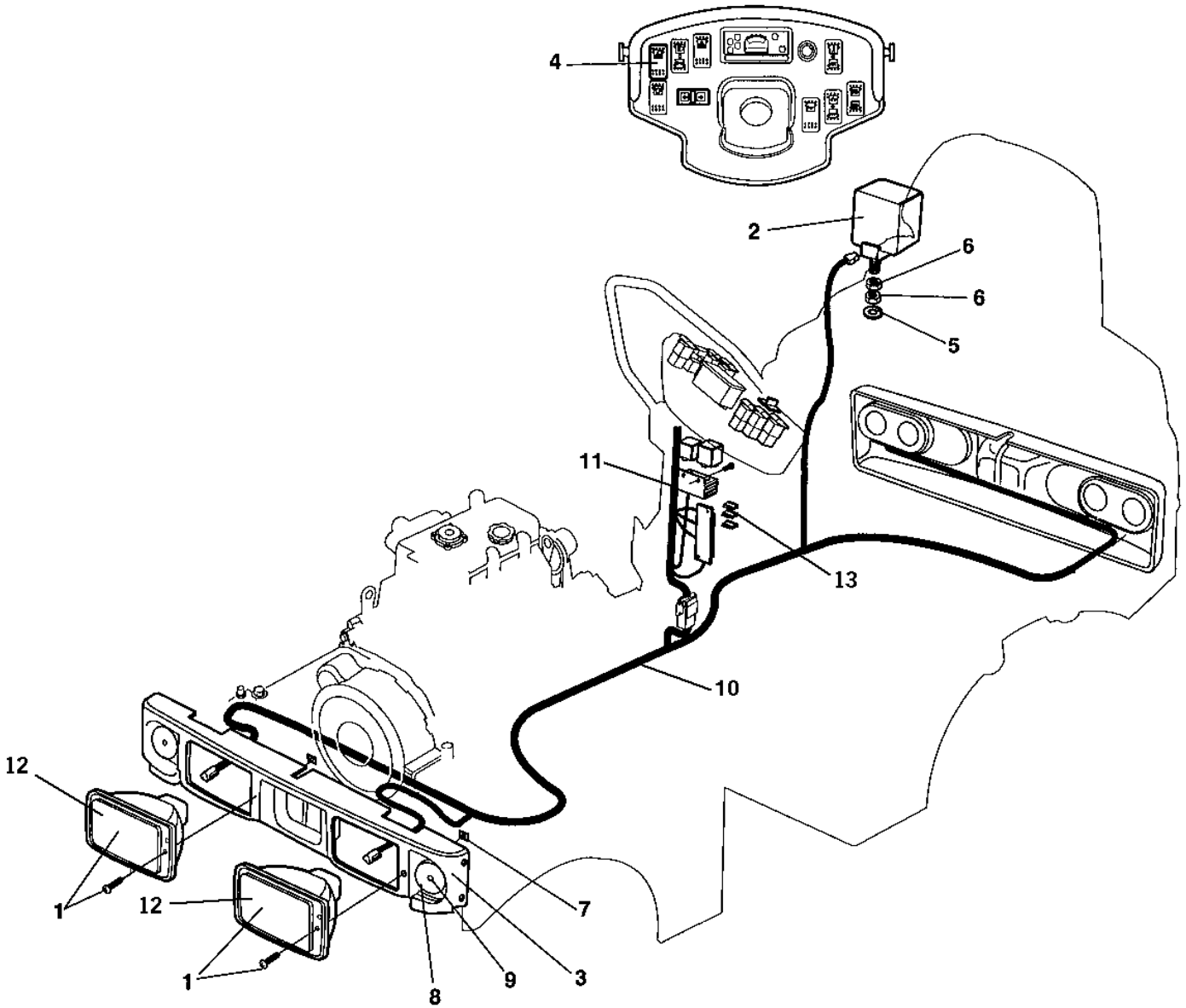
Driving lights Option

Ref. No.	Part No.	Rem.	Qty	Description		Code
1	387377		1	Frame cover		
2	387378		1	Frame cover		
3	904314		1	Work lamp		
4	791951	A	2	Headlight		
	792059	B	2	Headlight		
5	791953		2	Direction indicator		
6	791954		2	Direction indicator		
7	791955		2	Brake/position light		
8	900790	C	2	Bulb	60/55w H4	B
	985125	D	2	Bulb	12V	B
10	388636		1	Cable harness		
11	904989		1	Flash relay	Option	D
12	903956		1	Relay		D
13	901225		2	Fuse	5A	B
14	901227		1	Fuse	10A	B
15	791587		1	Switch, working light		
16	791584		1	Switch, hazard flashers		
17	791583		1	Switch, driving light		
18	791586		1	Switch, drive direction		
19	791916		2	Screw		
20	791970		4	Speed nut		
21	791971		12	Quick nut		
22	573005		2	Nut		
23	904230		1	Washer	10,5X22X2	
24	377140		1	Cable harness		
30			1	Side direction lights		
31	791704		2	.Side direction light		
	904889		2	.Bulb		
32	388382		2	.Holder side light		
33	791643		4	.Screw		
35	903810		4	.Cable tie holder		
36	960079		4	.Cable clip		

- A) Right asym
- B) Left asym.
- C) Head light
- D) Parking light

Working lights Option

17992



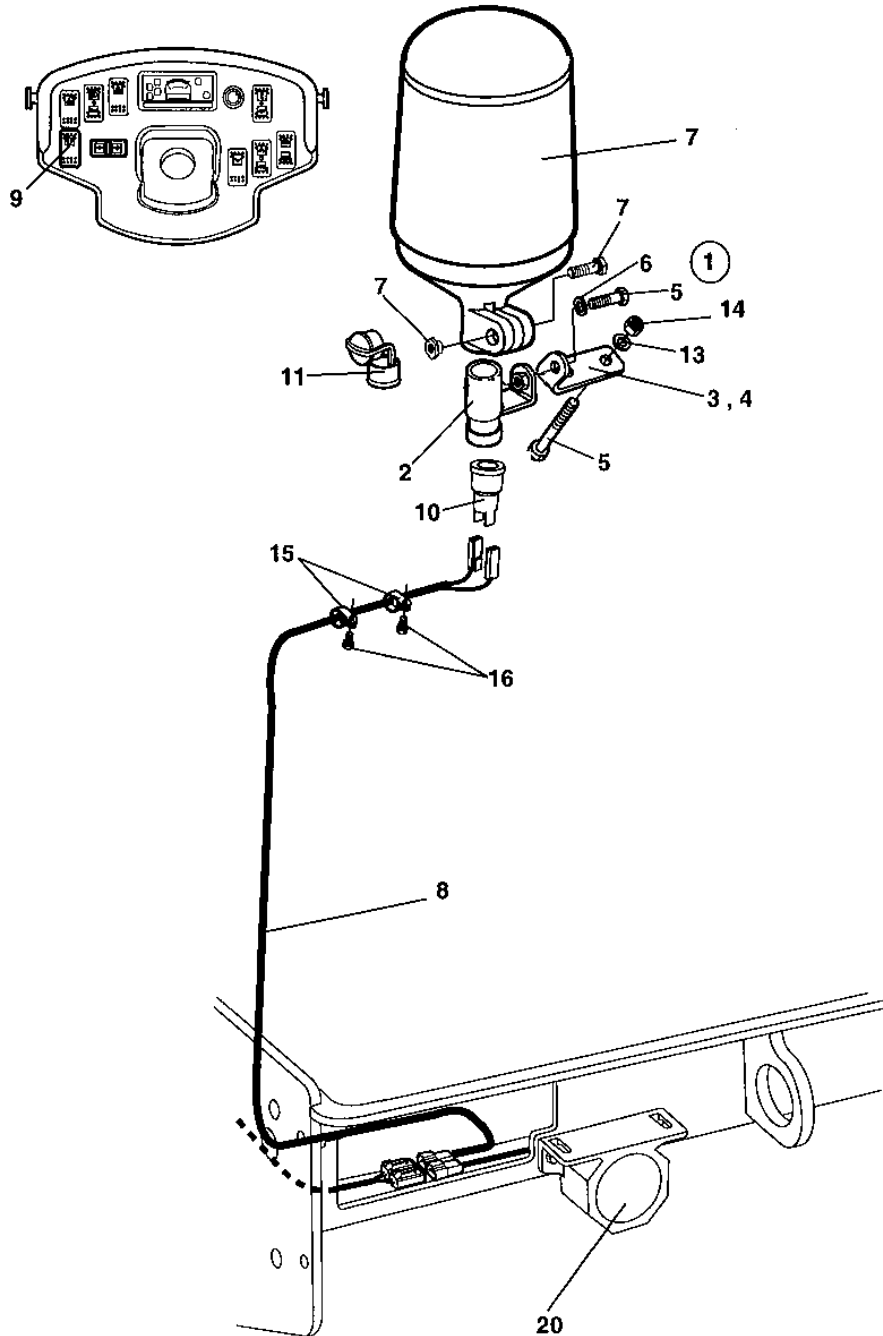
Working lights Option

Ref. No.	Part No.	Rem.	Qty	Description		Code
1	902227		2	Work light		
			2	.Screw		
2	904314		1	Work lamp		
3	387377		1	Frame cover		
4	791587		1	Switch, working light		
5	904230		1	Washer	10,5X22X2	
6	573005		2	Nut		
7	791970		4	Speed nut		
8	791754		N	Blind rivet		
9	791957		N	Reflector, white		
10		A	1	Cable harness		
11		A	1	Cable harness		
12	901369		2	Bulb	55w H3	B
13	901228		2	Fuse	15A	

A) See section "Driving lights"

Rotating beacon with Rops Option

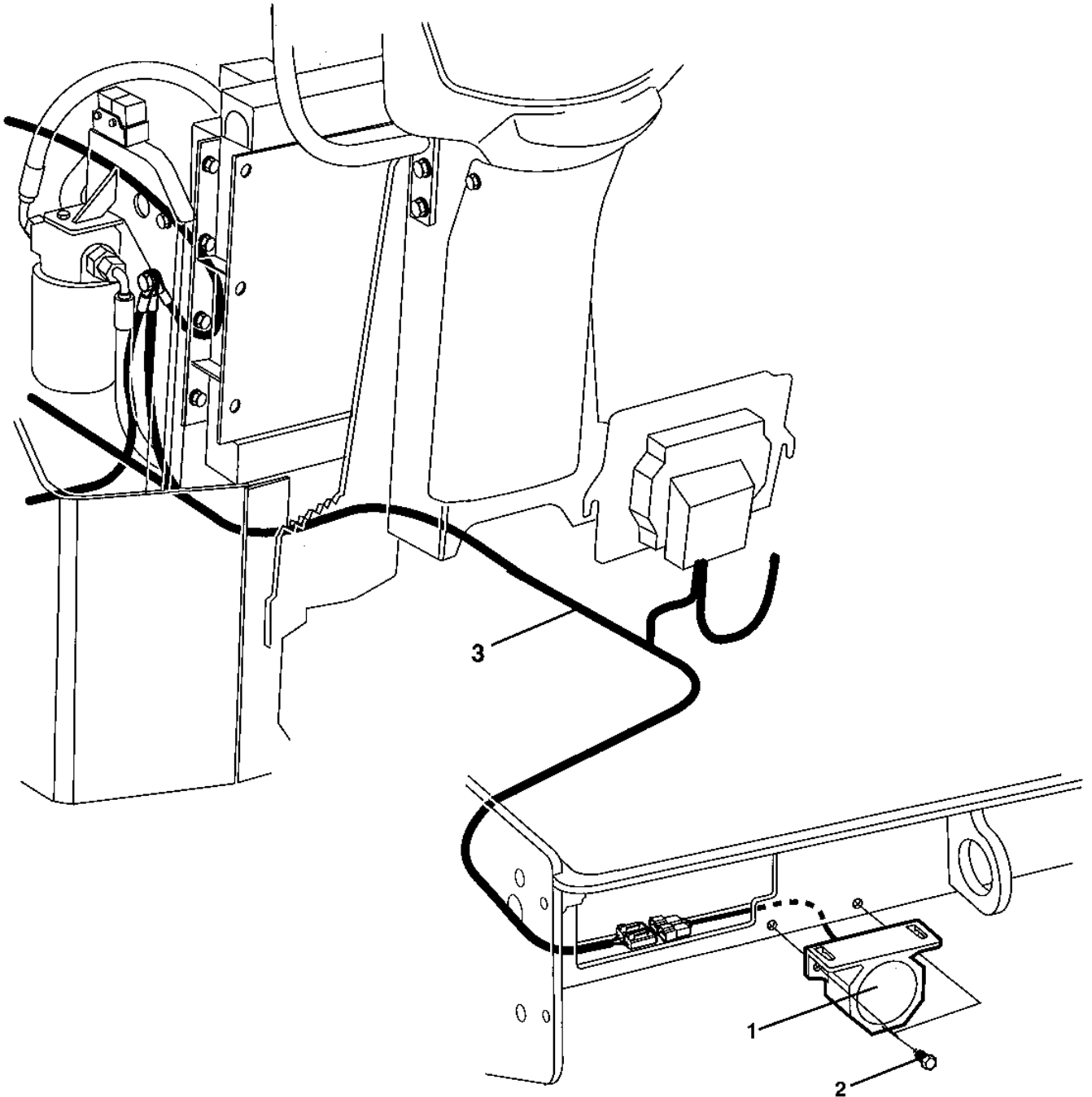
17993



Rotating beacon with Rops Option

Ref. No.	Part No.	Rem.	Qty	Description	Code
1	389561		1	Bracket	
2	388772		1	.Bracket	
3	388773		1	.Bracket	D
4	629101		1	.Spirol pin	
5	500021		1	.Screw	M8-1,25x25 8.8
6	904229		1	.Washer	
7	389577		1	Rotating beacon	D
			1	.Screw	D
			1	.Nut	D
8	389763		1	Cable harness	
9	791585		1	Switch, rotating beacon	
10	791981		1	Connector plug	
11	791980		1	Rubber protection	
12	500180		2	Screw	M8X110 8,8
13	904229		4	Washer	
14	586003		2	Lock nut	M8
15	921039		2	Pipe clamp	
16	541702		2	Screw	M6x12
17		B	1	Fuse	
20		A	1	Back-up alarm	

- A) See section "Back up alarm"
- B) See section "Control panel, relay"



Back-up alarm Option

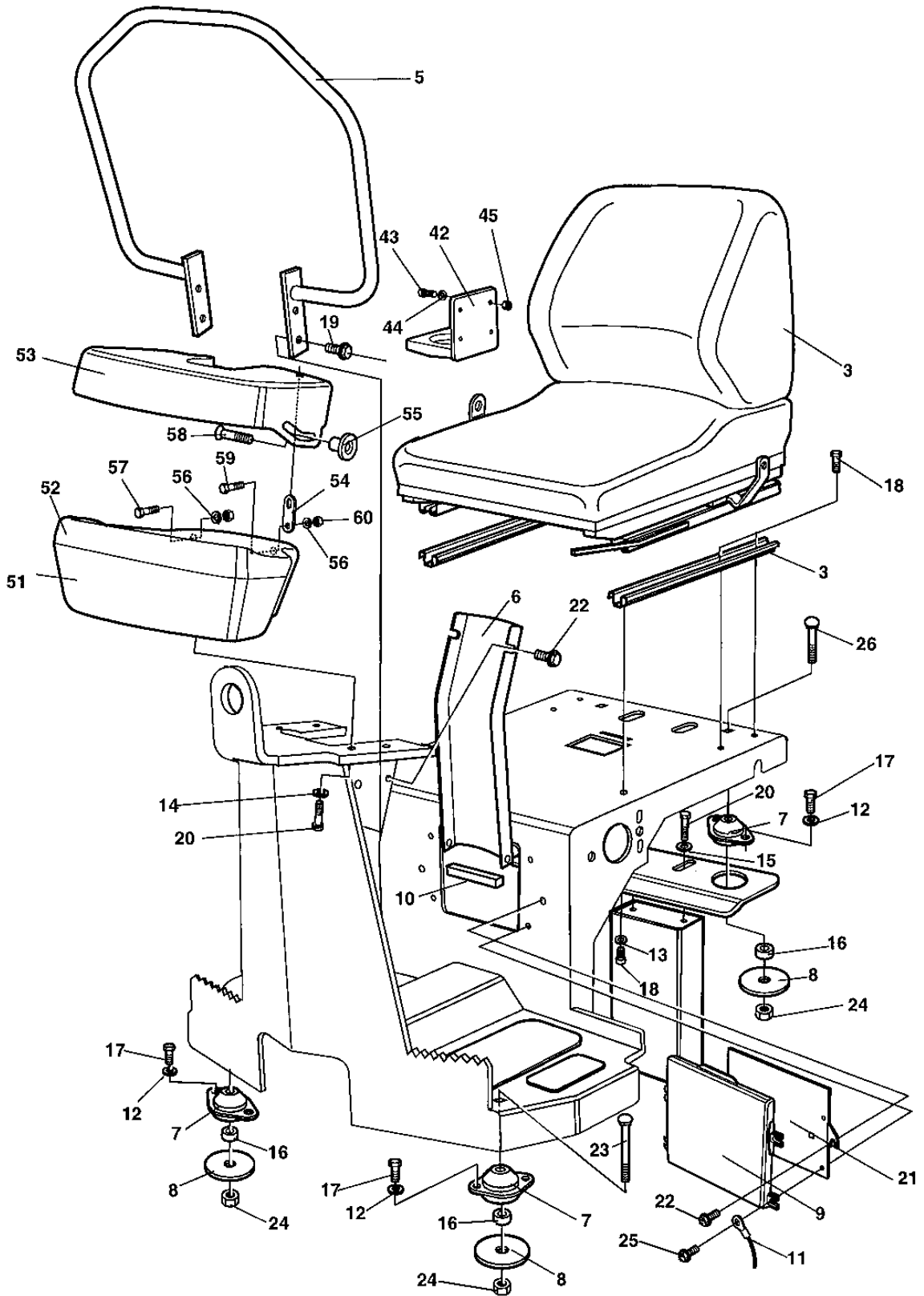
Ref. No.	Part No.	Rem.	Qty	Description	Code
1	792098		1	Back-up alarm	
2	541702		2	Screw	M6x12
3	388009		1	Cable harness	

Drivers platform

Ref. No.	Part No.	Rem.	Qty	Description	Code
10				Drivers seat Up to 89231040 (Page 88)	
12				Drivers seat From 89231041 Up to 89231898 (Page 90)	
15				Drivers seat From 89231899 (Page 92)	
20				F/R- and throttle control (Page 94)	
25				Forward and reverse control handle Up to 89231095 (Page 96)	
27				Forward and reverse control handle From 89231096 (Page 98)	
30				Rops (Page 100)	Option

Drivers seat

17976



Drivers seat

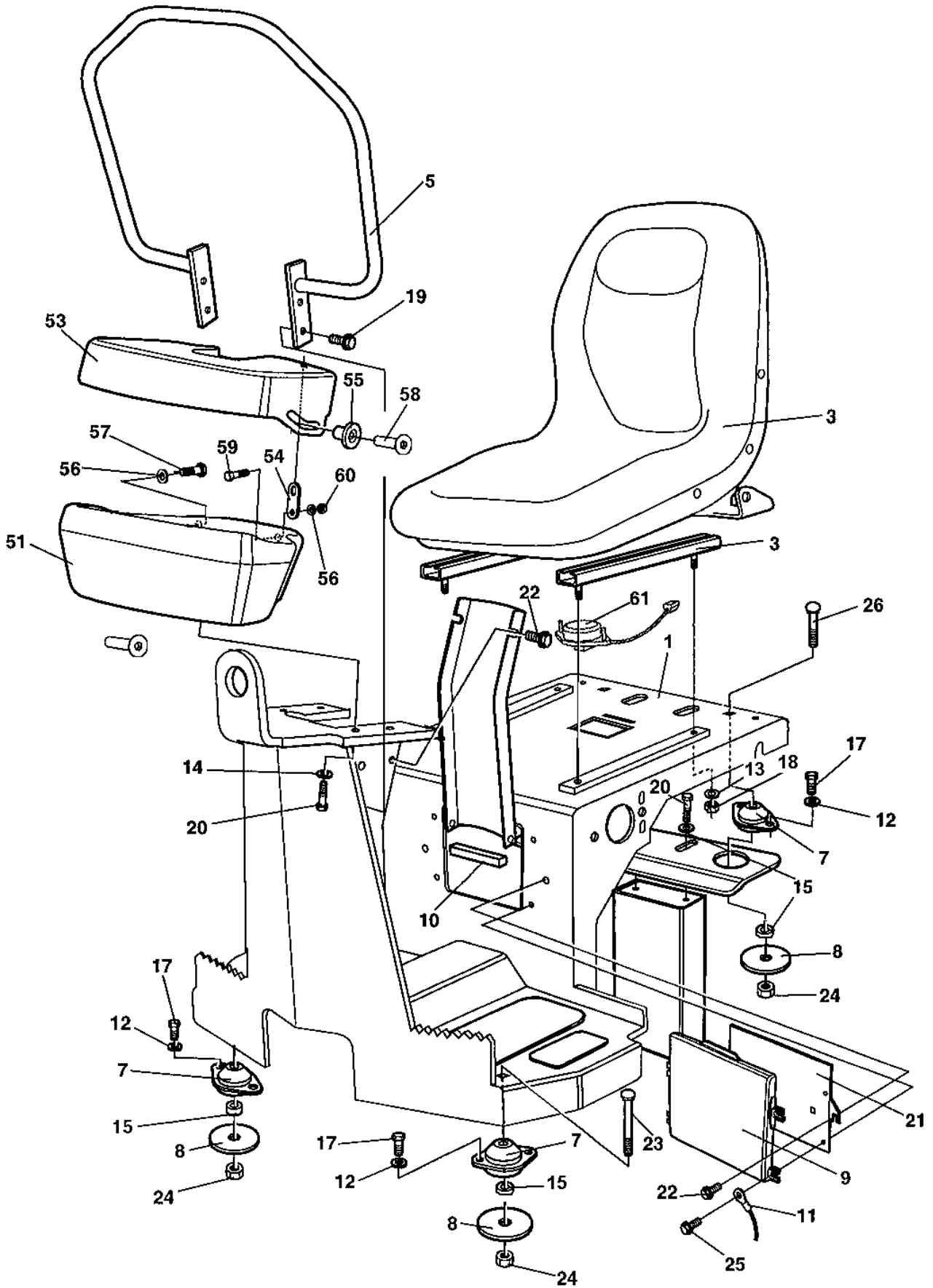
Ref. No.	Part No.	Rem.	Qty	Description	Code
1			1	Platform	
3	372570		1	Seat	
	936283		1	.Seat switch	D
4	387236		1	Platform bracket	
5	387453		1	Hand rail	
6	387226		1	Column cover	
7	387685		4	Conical rubber mount	
8	358232		4	Washer	
9	383705		1	Instruction book holder	
10	902166	A	1	Edge trim	3-5
11	357643		1	Wire	
12	904556		8	Washer	8,4x16x3,0
13	904229		2	Washer	
14	904230		4	Washer	10,5X22X2
15	904557		10	Washer	10,5x22x4
16	904557		4	Washer	10,5x22x4
17	500018		8	Screw	M8-1,25x12 8,8
18	508092		6	Screw	M8-1,25x20H 8,8
19	500509		2	Screw	
20	500030		6	Screw	M10-1,5x35H 8,8
21	388447		1	Cover	
22	500505		4	Screw	M8x20 8.8
23	792236		2	Screw	M10x100
24	586018		4	Lock nut	M10
25	791226		4	Screw	
26	791616		2	Bolt	
28	357855		2	Bushing	
42	377255	B	1	Cup holder	
43	513027	B	4	Screw	M4x16H 10,9
44	904698	B	4	Washer	
45	923976	B	4	Nut	
51	387720		1	Control panel holder	
52	387766		1	Control panel	
53	387227		1	Control panel cover	
54	387545		1	Latch	
55	357855		2	Bushing	
56	904281		4	Washer	5,3x10x1
57	903658		3	Screw	M5x10
58	513017		2	Screw	M6x30H 10,9
59	500007		1	Screw	M5-0,8x22H 8,8
60	791476		1	Nut	M5 -8

A) L = 185 mm

B) Option

Drivers seat

18296-1



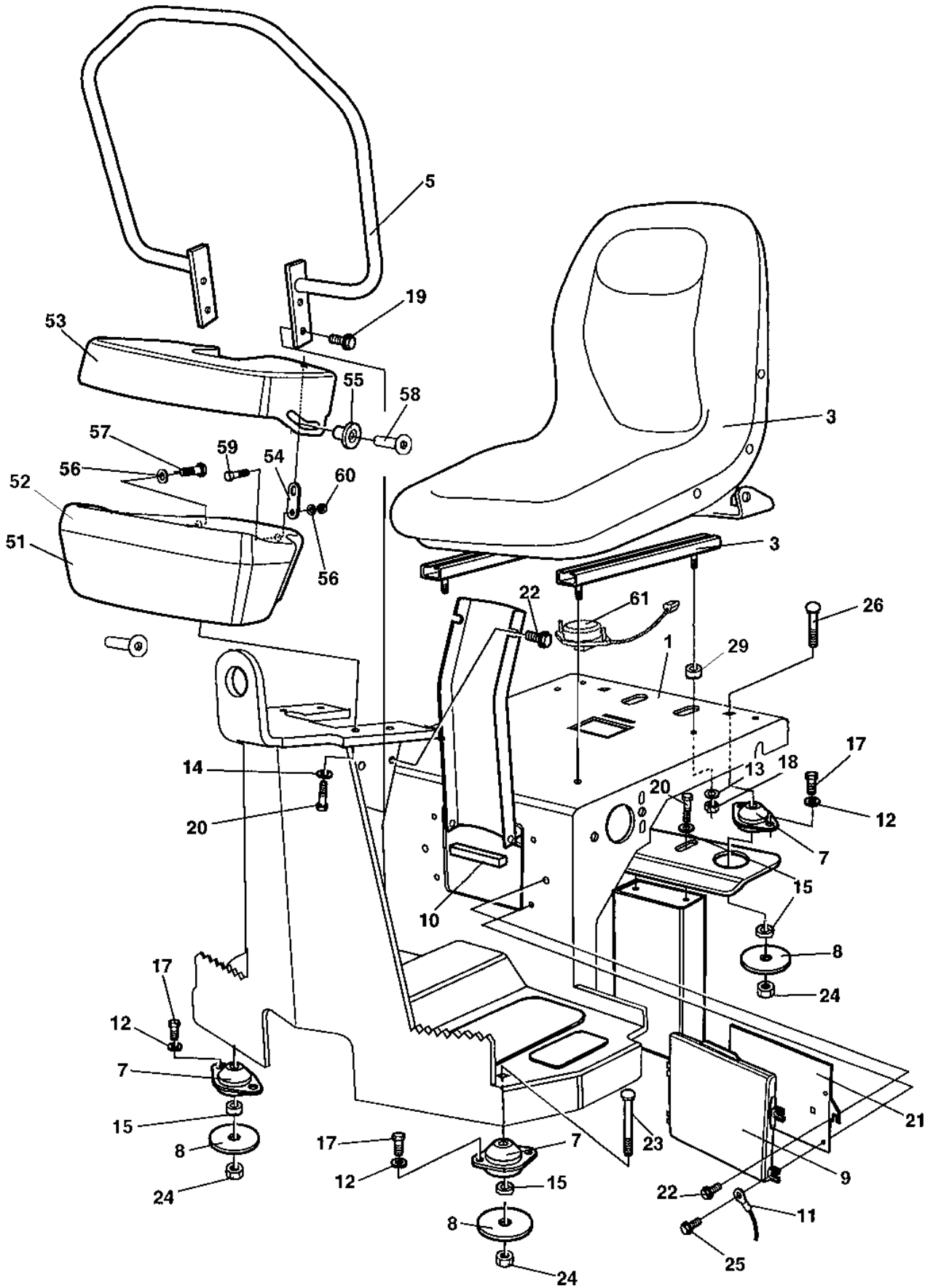
Drivers seat

Ref. No.	Part No.	Rem.	Qty	Description	Code
1	390586		1	Platform	
3	377556		1	Seat	
	348331		1	Seat cover	D
4	387236		1	Platform bracket	
5	387453		1	Hand rail	
6	387226		1	Column cover	
7	387685		4	Conical rubber mount	
8	358232		4	Washer	
9	383705		1	Instruction book holder	
10	902166	A	1	Edge trim	3-5
11	357643		1	Wire	
12	904556		8	Washer	8,4x16x3,0
13	904229		4	Washer	
14	904230		4	Washer	10,5X22X2
15	904557		10	Washer	10,5x22x4
17	500018		8	Screw	M8-1,25x12 8,8
18	586003		4	Lock nut	M8
19	500509		4	Screw	
20	500030		6	Screw	M10-1,5x35H 8,8
21	388447		1	Cover	
22	500505		4	Screw	M8x20 8.8
23	792236		2	Screw	M10x100
24	586018		4	Lock nut	M10
25	791226		4	Screw	
26	791616		2	Bolt	
28	357855		2	Bushing	
51	387720		1	Control panel holder	
52	387766		1	Control panel	
53	387227		1	Control panel cover	
54	387545		1	Latch	
55	357855		2	Bushing	
56	904281		4	Washer	5,3x10x1
57	903658		3	Screw	M5x10
58	513017		2	Screw	M6x30H 10,9
59	500007		1	Screw	M5-0,8x22H 8,8
60	791476		1	Nut	M5 -8
61	379636		1	Seat switch	

A) L = 185 mm

Drivers seat

18591



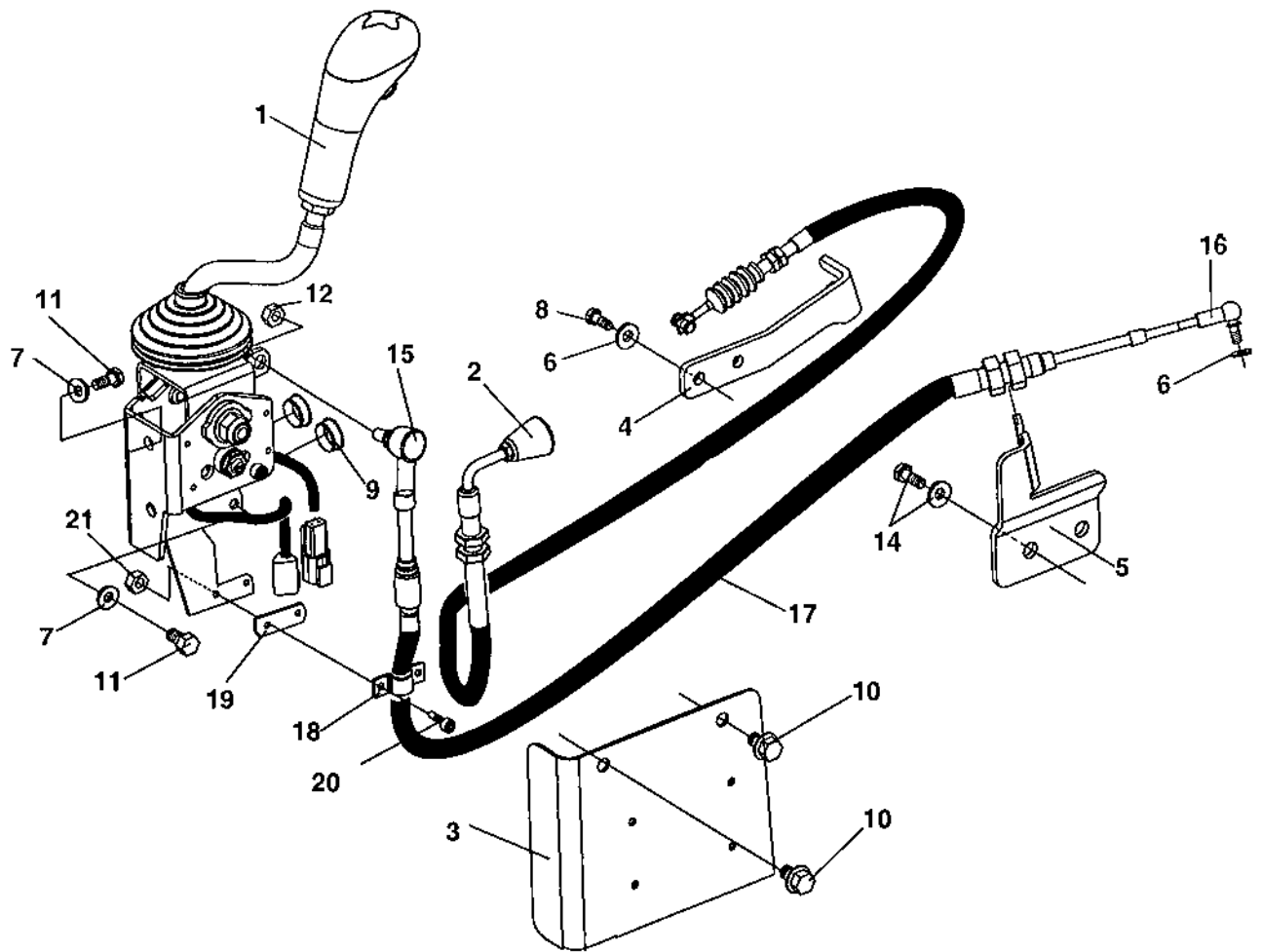
Drivers seat

Ref. No.	Part No.	Rem.	Qty	Description	Code
1	390586		1	Platform	
3	377556		1	Seat	
	348331		1	Seat cover	D
4	387236		1	Platform bracket	
5	387453		1	Hand rail	
6	387226		1	Column cover	
7	387685		4	Conical rubber mount	
8	358232		4	Washer	
9	383705		1	Instruction book holder	
10	902166	A	1	Edge trim	3-5
11	357643		1	Wire	
12	904556		8	Washer	8,4x16x3,0
13	904229		4	Washer	
14	904230		4	Washer	10,5X22X2
15	904557		10	Washer	10,5x22x4
17	500018		8	Screw	M8-1,25x12 8,8
18	586003		4	Lock nut	M8
19	500509		4	Screw	
20	500030		6	Screw	M10-1,5x35H 8,8
21	388447		1	Cover	
22	500505		4	Screw	M8x20 8.8
23	792236		2	Screw	M10x100
24	586018		4	Lock nut	M10
25	791226		4	Screw	
26	791616		2	Bolt	
28	357855		2	Bushing	
29	394301		4	Spacer sleeve	
51	387720		1	Control panel holder	
52	387766		1	Control panel Up to 89231944	
	391784		1	Control panel From 89231945	
53	387227		1	Control panel cover	
54	387545		1	Latch	
55	357855		2	Bushing	
56	904281		4	Washer	5,3x10x1
57	903658		3	Screw	M5x10
58	513017		2	Screw	M6x30H 10,9
59	500007		1	Screw	M5-0,8x22H 8,8
60	791476		1	Nut	M5 -8
61	379636		1	Seat switch	

A) L = 185 mm

F/R- and throttle control

17971



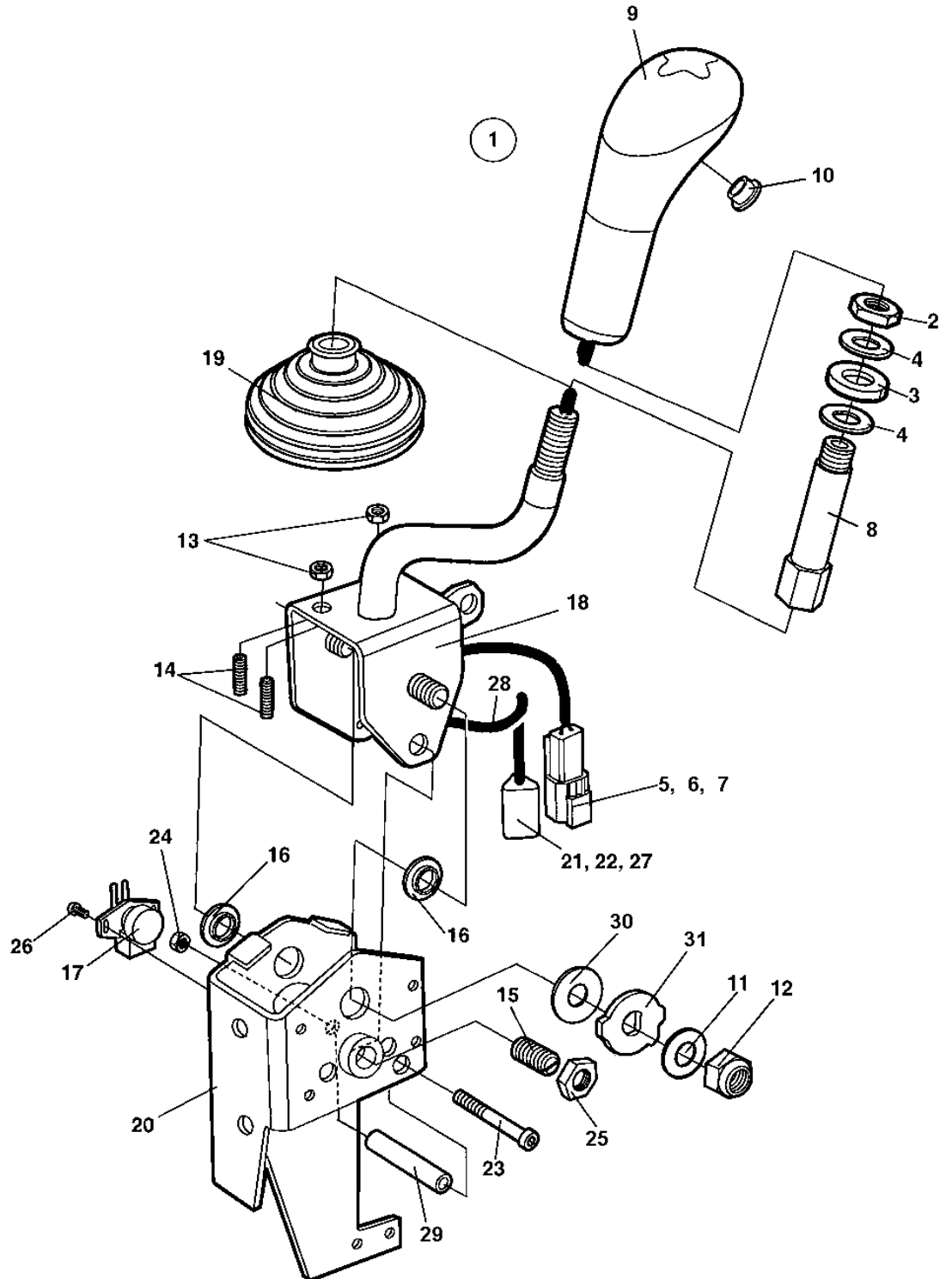
F/R- and throttle control

Ref. No.	Part No.	Rem.	Qty	Description	Code
1			1		
2	387229		1	Throttle control	
	940960		1	.Knob	
3	388476		1	Control cover	
4	387297		1	Control bracket	
5	387298		1	Control bracket	
6	904228		3	Washer	
7	904229		2	Washer	
8	500013		2	Screw	M6-1x16 8,8
9	923270		2	Protective plug	
10	904755		2	Screw	M8x12 8,8 FZB
11	508092		3	Screw	M8-1,25x20H 8,8
12	586003		1	Lock nut	M8
13	904556		1	Washer	8,4x16x3,0
14		B	2	Screw	
		B	2	Washer	
15	377019		1	Ball joint	
16	416034		1	Ball joint	D
17	377024		1	Cable	Forward/Reverse
18	377020		1	Clamp	
19	377021		1	Spacer	
20	926537		2	Screw	M5-0,8x16H 8,8
21	586001		2	Lock nut	M5

B) See section " Engine "

Forward and reverse control handle

18071-1



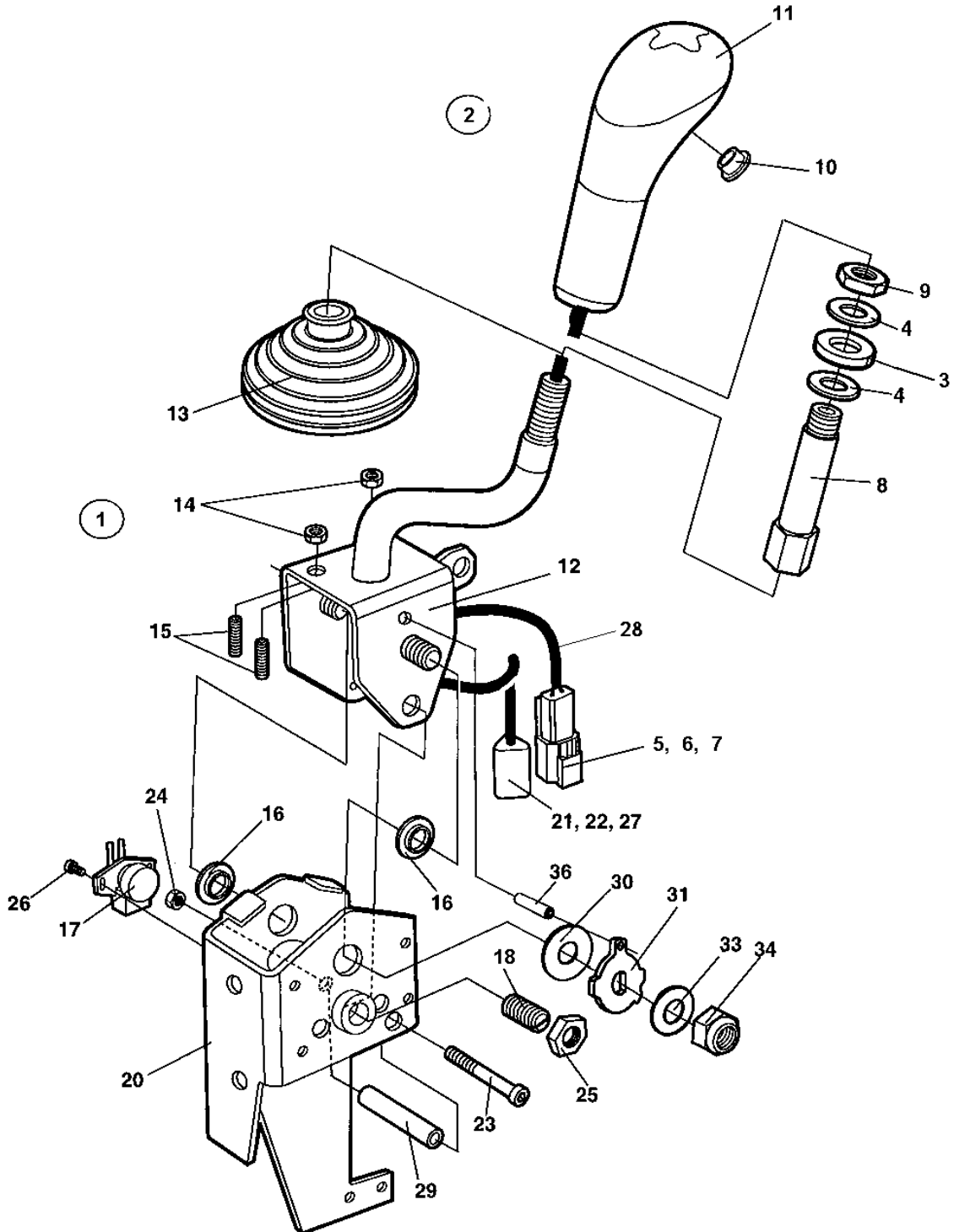
Forward and reverse control handle

Ref. No.	Part No.	Rem.	Qty	Description	Code
1	940374	A	1	Handle kit, cpl	
			1	.Handle	
	945729		1	..Push-button switch	
			1	.Lockfluid	
			1	.Service information	
2			1	.Nut	
3			1	.Washer	
4			2	.Washer	
5			1	.Connector, receptable	
6			1	.Lock wedge	
7			2	.Pin	
8			1	.Rod	
9	378759		1	.Handle top	
10	377018		1	.Protection plug	
11	377014		1	Spring washer	
12	586019		1	Lock nut	M12
13	570004		2	Nut	M6
14	377015		2	Set screw	
15	377016		1	Spring loaded pin	
16	377017		2	Bushing	
17	377022		1	Potentiometer with cable	
18	377008	C	1	Holder	
19	377009		1	Bellows	
20	377010		2	Bracket	
21	903945		1	Connector, plug	
22	903946		1	Lock wedge	
23	508068		1	Screw	
24	904563		1	Lock nut	M6
25	927233		1	Nut	
26	377023		1	Screw	
27	903947		3	Pin	
28		B	1	Cable	
29	377011		1	Spacer	
30	377012		1	Friction washer	
31	377013		1	Cam washer	

- A) Upgraded kit with new reinforced handle.
- B) Included in potentiometer Pos 17
- C) Interchangeable to new reinforced lever P/N 378704 in Lever cpl P/N 391059

Forward and reverse control handle

18071-2



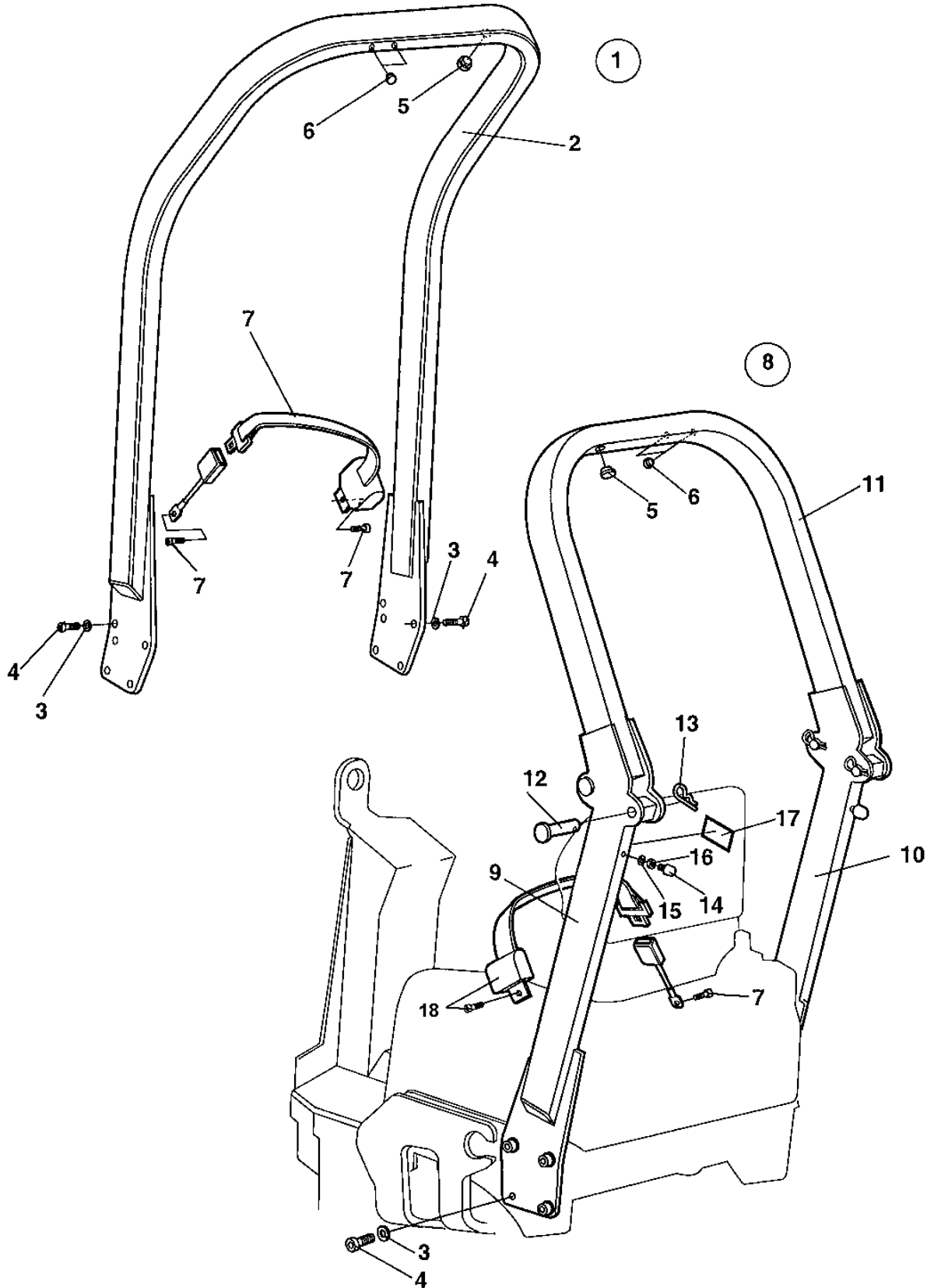
Forward and reverse control handle

Ref. No.	Part No.	Rem.	Qty	Description	Code
1	945407		1	Lever, cpl	
2	940374		1	..Handle kit, cpl	
			1	..Handle	
	945729		1	...Push-button switch	
			1	...Cable	
			1	..Lockfluid	
			1	..Service information	
3			1	..Washer	
4			2	..Washer	
5			1	..Connector, receptable	
6			1	..Lock wedge	
7			2	..Pin	
8			1	..Rod	
9			1	..Nut	
10	377018		1	..Protection plug	
11	378759		1	..Handle top	
12	391379		1	..Lever	
13	377009		1	..Bellows	
14	570004		2	..Nut	M6
15	377015		2	..Set screw	
16	391381		1	Bushing	
17	391382		1	Potentiometer with cable	
18	377016		1	Spring loaded pin	
20	377010		1	Bracket	
21	903945		1	Connector, plug	
22	903946		1	Lock wedge	
23	508068		1	Screw	
24	904563		1	Lock nut	M6
25	927233		1	Nut	
26	391383		1	Screw	
27	903947		3	Pin	
28		B	1	Cable	
29	377011		1	Spacer	
30	377012		1	Friction washer	
31	391380		1	Cam washer	
33	377014		1	Spring washer	
34	586019		1	Lock nut	M12
36	391386		1	Spirol pin	

B) Included in potentiometer Pos 17

Rops Option

17962



Rops Option

Ref. No.	Part No.	Rem.	Qty	Description	Code
1			1	Rops, cpl	
2	387142		1	Rops	
3	904231		8	.Washer	13x24x2
4	508063		8	.Screw	
5	282603		1	.Plastic plug	
6	900986		1	.Plug	
7	372659	A	1	.Seat belt Up to 89X31040	
	377677	A	1	.Seat belt From 89X31041	2"
8			1	Rops foldable, cpl	
9		C,D	1	.Rops beam	
10		C,D	1	.Rops beam	
11		C,D	1	.Rops beam	
12	389798		4	.Threaded spike	
13	635061		4	.Hair clip	D
14	280101		2	.Shock absorber	
15	904229		2	.Washer	
16	573008		2	.Nut	M8
17	908229		1	.Safety decal	
18	372659	A	1	.Seat belt Up to 89X31040	
	377677	A	1	.Seat belt From 89X31041	2"

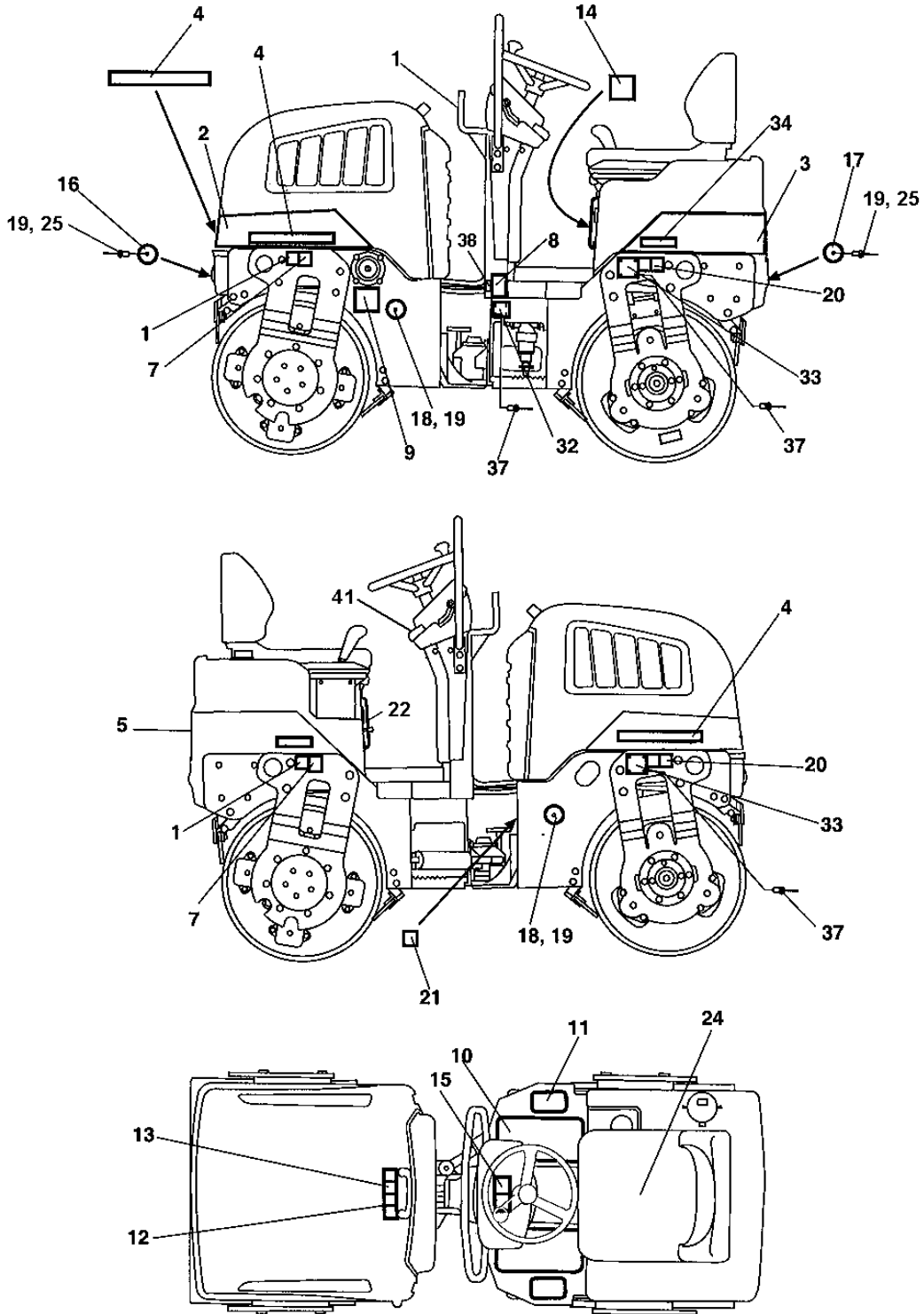
- A) Hardware supplied
- C) Not sold separately due to safety regulations
- D) Only available as a complete ROPS kit ; please check the machine SN and contact Dynapac for valid PN

Decals and documentation

Ref. No.	Part No.	Rem.	Qty	Description	Code
10				Decals and documentation (Page 104)	

Decals and documentation

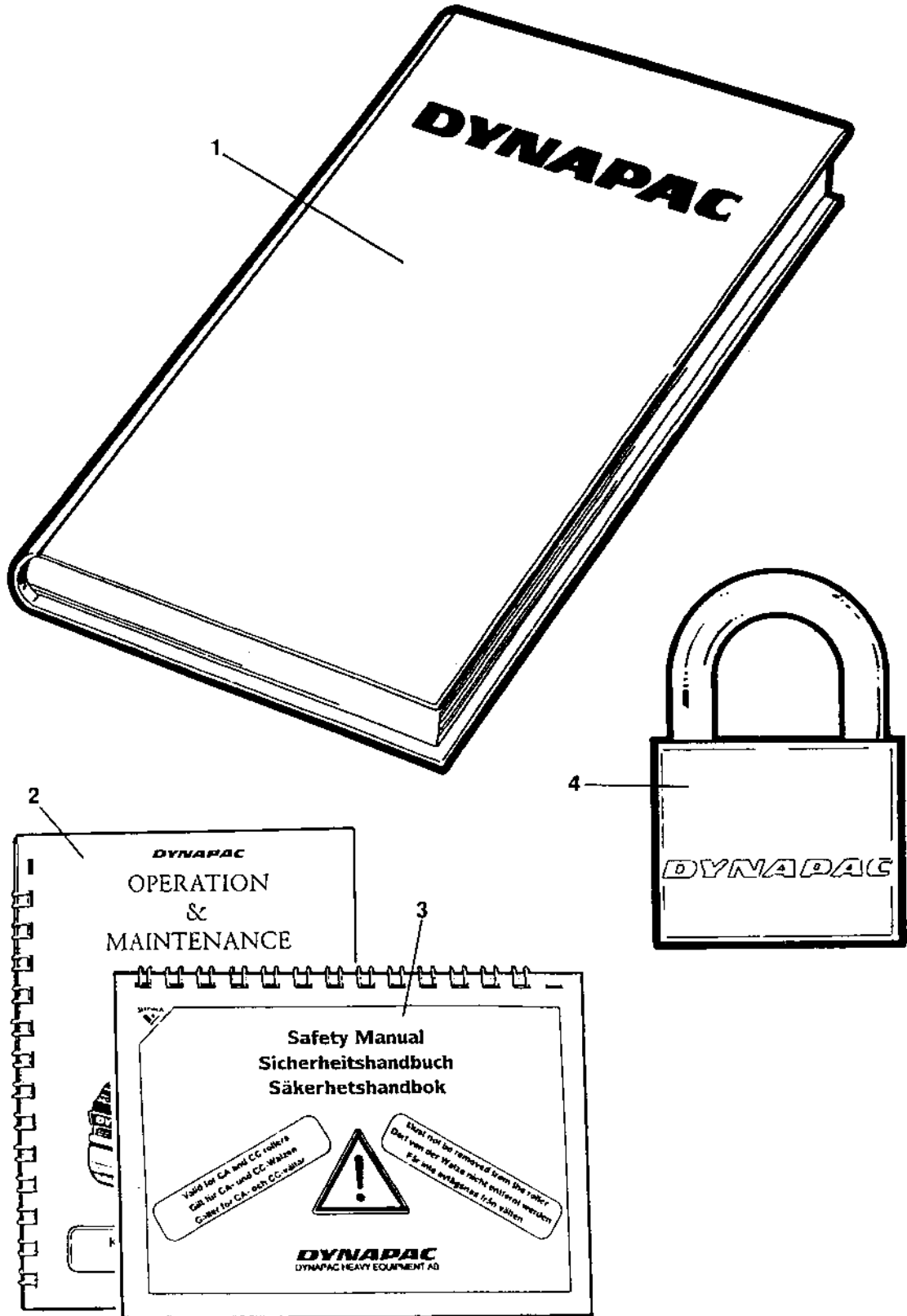
17990



Decals and documentation

Ref. No.	Part No.	Rem.	Qty	Description	Code
1	357587		3	Decal "LIFT POINT"	
2	389919		1	Engine hood decal	
3	389920		1	Decal	
4	904097		3	Decal "DYNAPAC"	L=290 mm
5	904092		1	Decal "DYNAPAC"	L=590 mm
7	382751		2	Decal "TIE DOWN POINT"	
8	903422		2	Decal "SAFETY"	
9	991658		1	Decal "FUEL"	
10	373363		2	Slip protection	
11	372123		2	Protection	
12	903423		1	Decal "SAFETY"	
13	903424		1	Decal "HOT SURFACE"	
14	903425		1	Decal "SAFETY MANUAL"	
15	903459		1	Decal "SAFETY"	
16	791957		2	Reflector, white	
17	791956		2	Reflector, red	
18	791958		2	Reflector, light	
19	791754		6	Blind rivet	
20	908229		2	Safety decal	
21	272373		1	Decal "HYDRAULIC OIL"	
22			1	Roller safety manual	
24	348331		1	Seat cover	D
25	904228		4	Washer	
32			1	Product identif. decal "Dynapac"	
33	904870		2	Lifting sign	
34	791918		2	Decal "MODEL CODE"	CC900
37	624015		12	Blind rivet	4,0x8,5
38	791290		1	Decal "Sound power level"	
41	379012		1	Decal "Start instruction"	

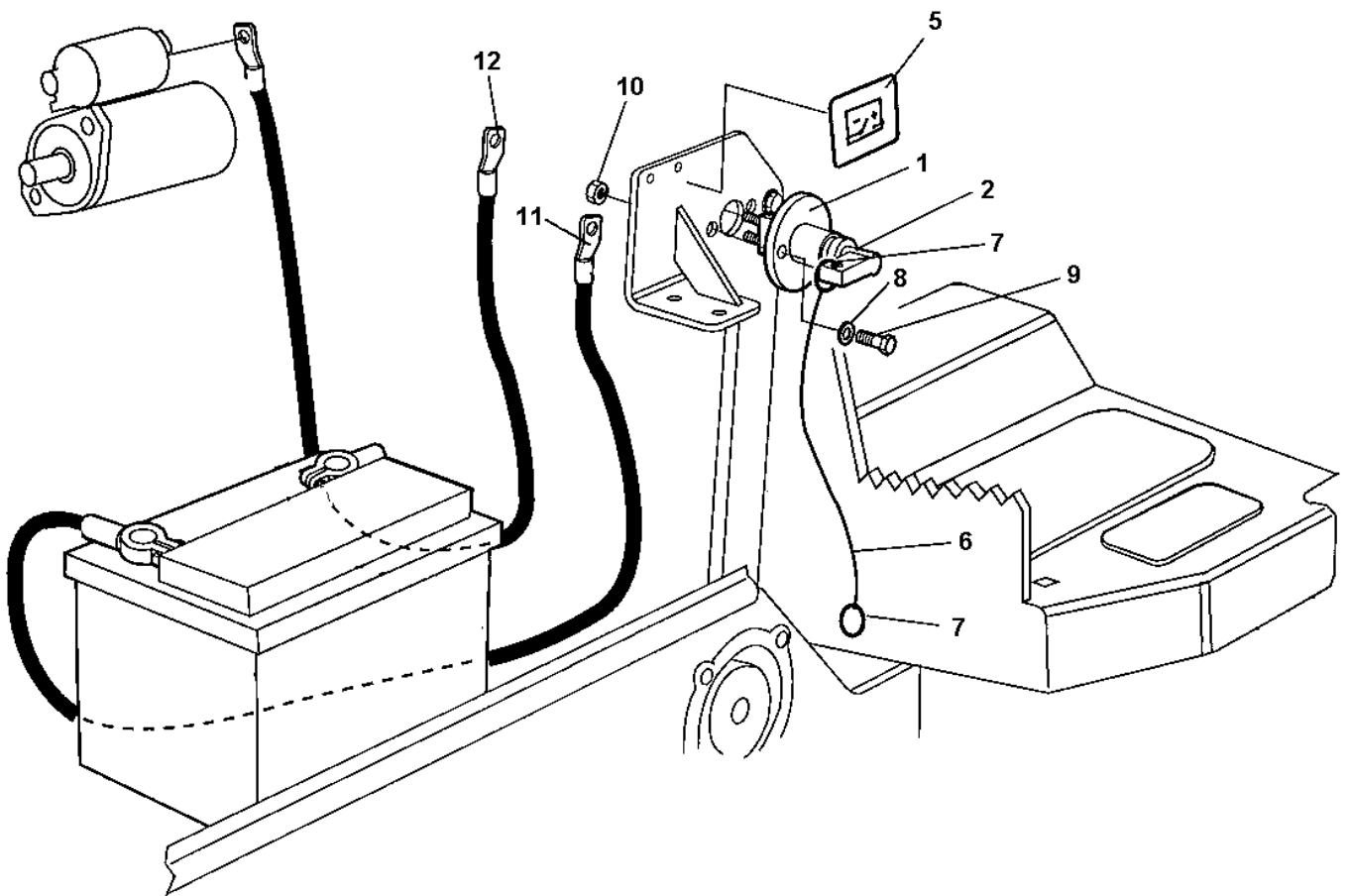
Ref. No.	Part No.	Rem.	Qty	Description	Code
11			1	Standard equipment (Page 108)	



Ref. No.	Part No.	Rem.	Qty	Description	Code
1			1	Documentation	ISCC900
			1	.Warranty conditions	
			1	.Warranty registration certificate	
			1	.Spare parts catalogue	SCC900
			1	.Warranty registration card	
			1	.Instruction manual	Perkins 403C-11
2			1	.Operating / maintenance instruction	ICC900
3			1	.Safety manual	RSAFE
4	358881		2	Pad lock	

Optional equipment

Ref. No.	Part No.	Rem.	Qty	Description	Code
1				Battery disconnecter (Page 112)	
20				Watertank, option From 89231041 (Page 114)	
50				Dual forward/reverse control (Page 116)	
60				SMV sign (Page 118)	
63			1	SMV sign (Page 120)	Mounting on watertank
65				Registrations - plate with light (Page 122)	
70				Hydraulic vibration, shut off front/rear drum (Page 124)	
80				Rear view mirror (Page 126)	
90				Tool equipment (Page 128)	



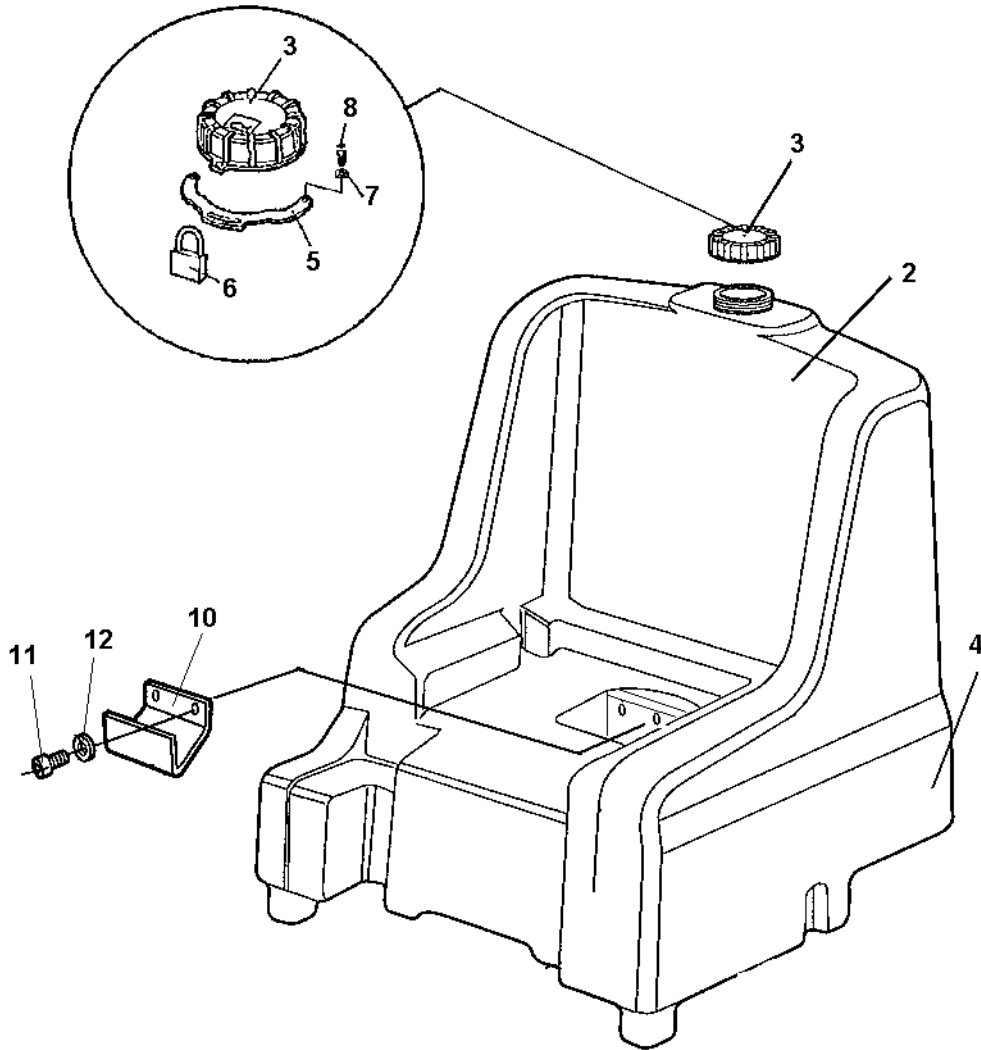
Battery disconnecter

Ref. No.	Part No.	Rem.	Qty	Description	Code
1	357567		1	Battery switch, cpl	D
2	902560		1	.Handle	D
5	904835		2	Decal "BATTERY POWER"	
6	377253		1	Wire	
7	358254		2	Key-ring	
8		B	1	Washer	
9		B	1	Screw	
10		B	1	Nut	
11		C	1	Battery cable	
12		D	1	Cable	

- B) Use existing
C) Cable from positive pole of the battery.
D) Cable from starter motor.

Watertank, option

18309



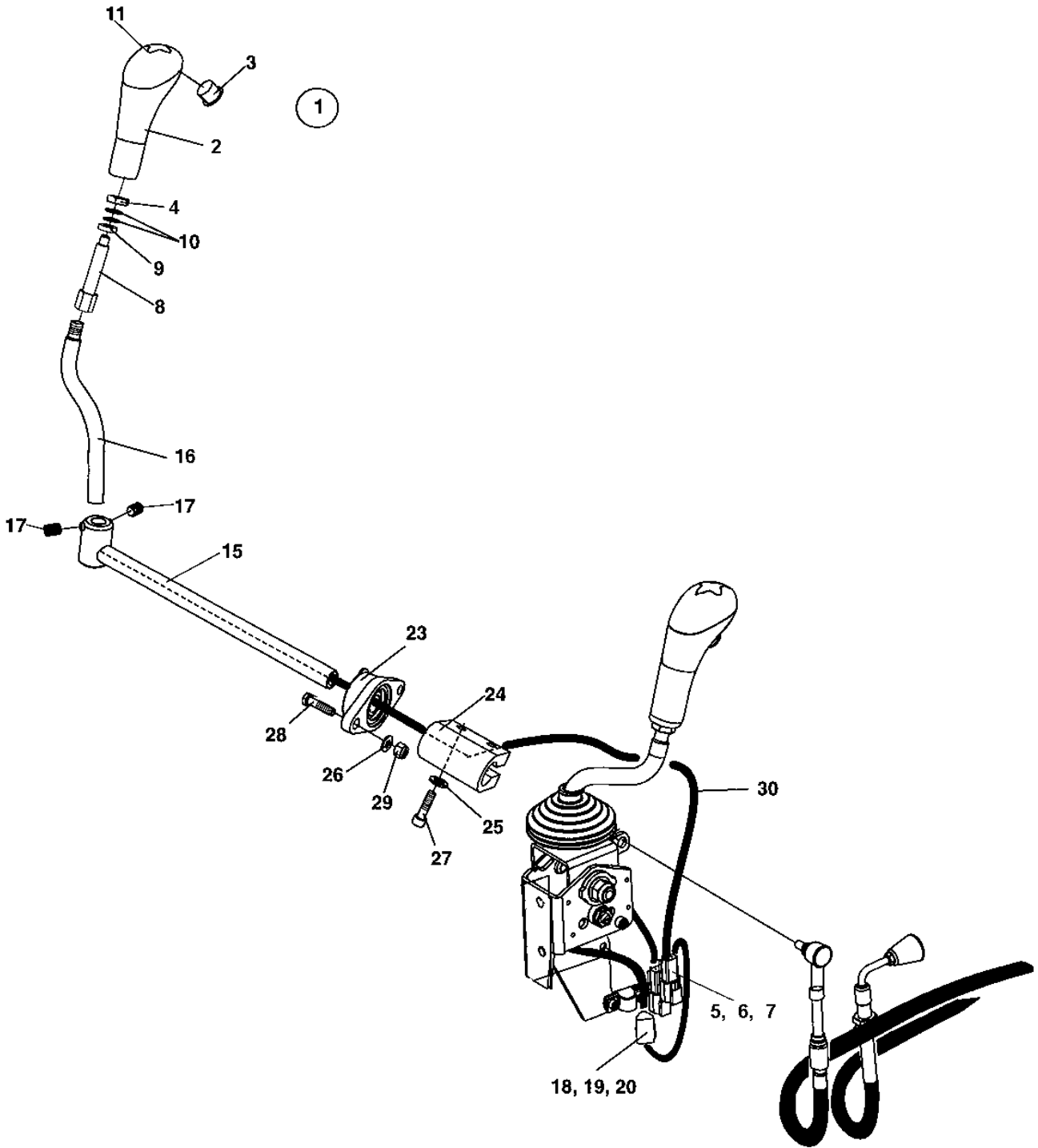
Watertank, option

Ref. No.	Part No.	Rem.	Qty	Description	Code
1				Watertank, cpl	
2	388017		1	.Watertank	
3	388087		1	.Tank cap	
4	377343			Decal	
5	389155	A	1	Lock bracket	
6	358881	A	1	Pad lock	
7	904281	A	2	Washer	5,3x10x1
8	903658	A	2	Screw	M5x10
10	387935		1	Bracket	
11	500029		2	Screw	M10-1,5x30 8.8
12	904557		2	Washer	10,5x22x4

A) Option,

Dual forward/reverse control

18068-1

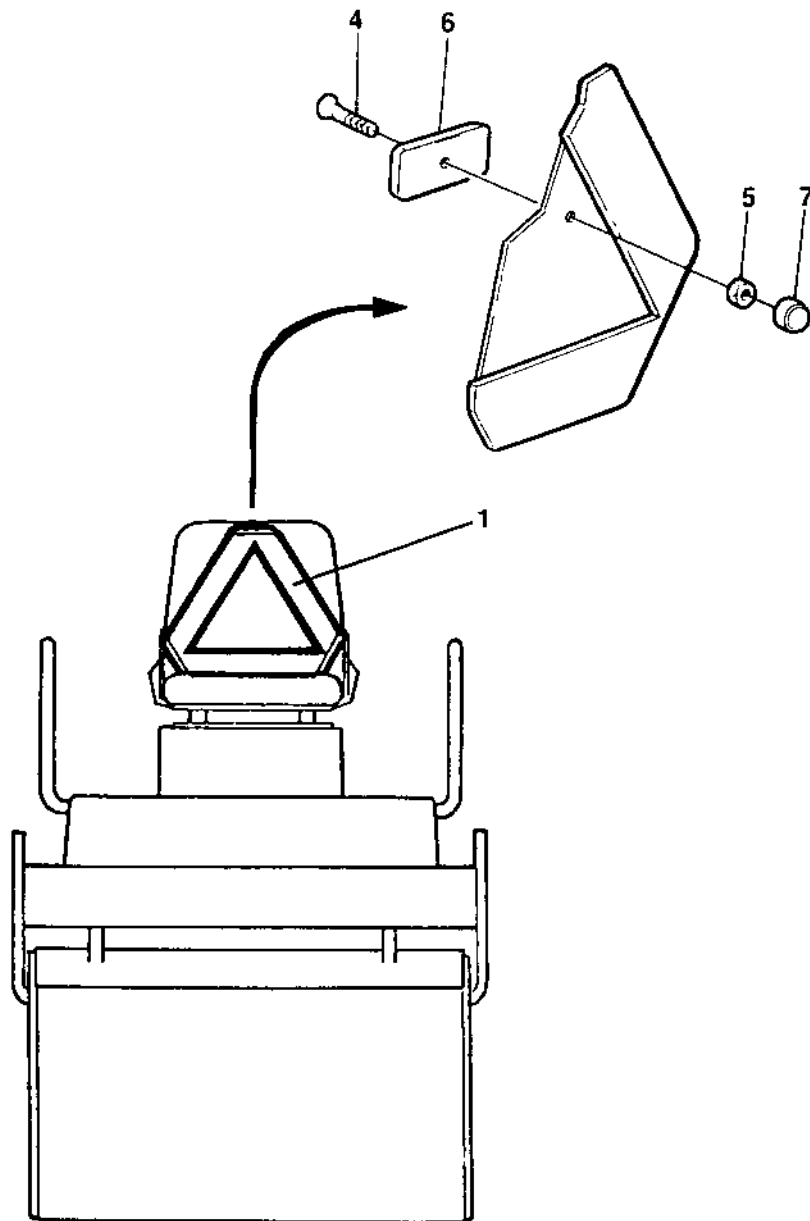


Dual forward/reverse control

Ref. No.	Part No.	Rem.	Qty	Description	Code
1	940374		1	Handle kit, cpl	
2			1	.Handle	
	945729		1	..Push-button switch	
			1	.Service information	
			1	.Lock fluid	
3	377018		1	.Protection plug	
4			1	.Nut	
5			1	.Connector, receptable	
6			1	.Lock wedge	
7			2	.Pin	
8			1	.Rod	
9			1	.Washer	
10			2	.Washer	
11	378759		1	.Handle top	
15	377053		1	Control shaft	
16	377055		1	Lever	
17	377056		2	Socket set screw	
18	791668		1	Connector plug	
19	791669		1	Lock wedge	
20	903948		2	Socket	
23	791926		1	Y-bearing unit	
24	346420		1	Coupling	
25	904229		2	Washer	
26	904230		4	Washer	10,5X22X2
27	508048		2	Screw	M08x030H 8.8
28	500031		2	Screw	M10-1,5x40 8,8
29	586018		2	Lock nut	M10
30			1	Cable	

SMV sign

18059



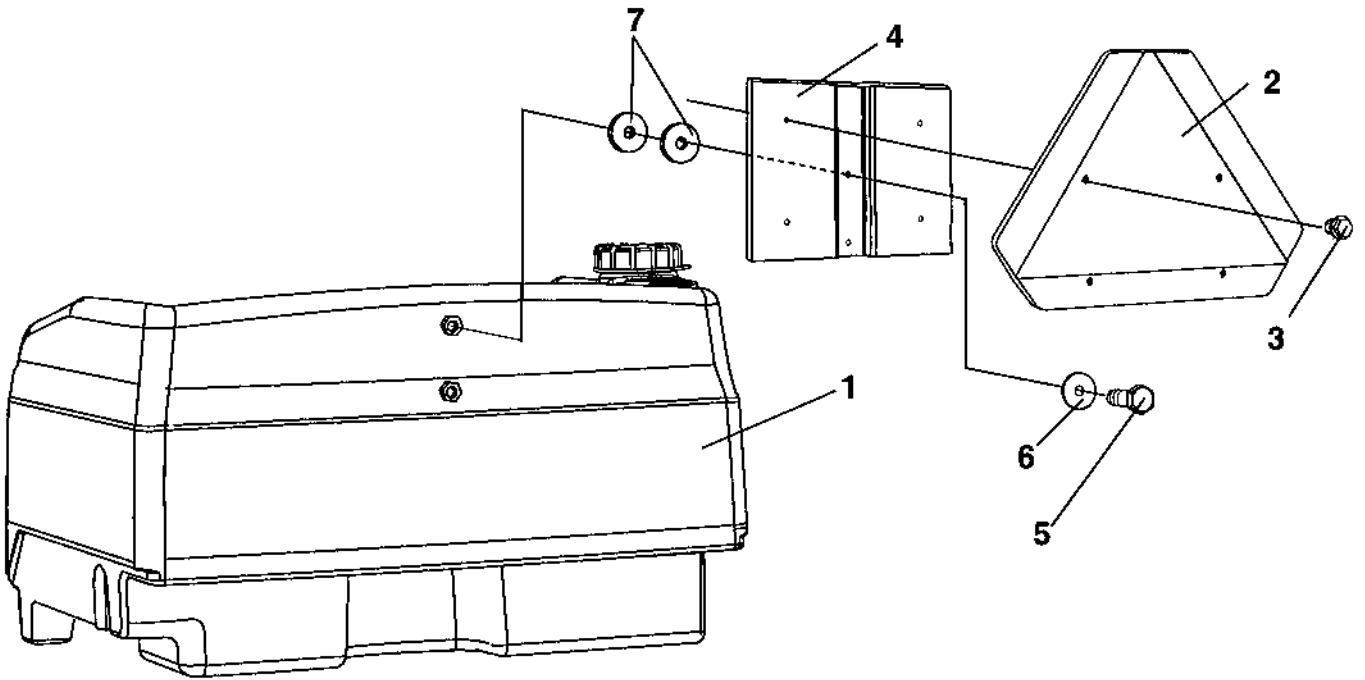
SMV sign

Ref. No.	Part No.	Rem.	Qty	Description	Code
1	476019		1	SMV sign	D
4	513013	A	2	Screw	
5	570005	A	2	Nut	M8
6	374460	A	2	Spacer	
7	904203	A	2	Nut protection	

A) On seats with armrests use existing

SMV sign Mounting on watertank

18382

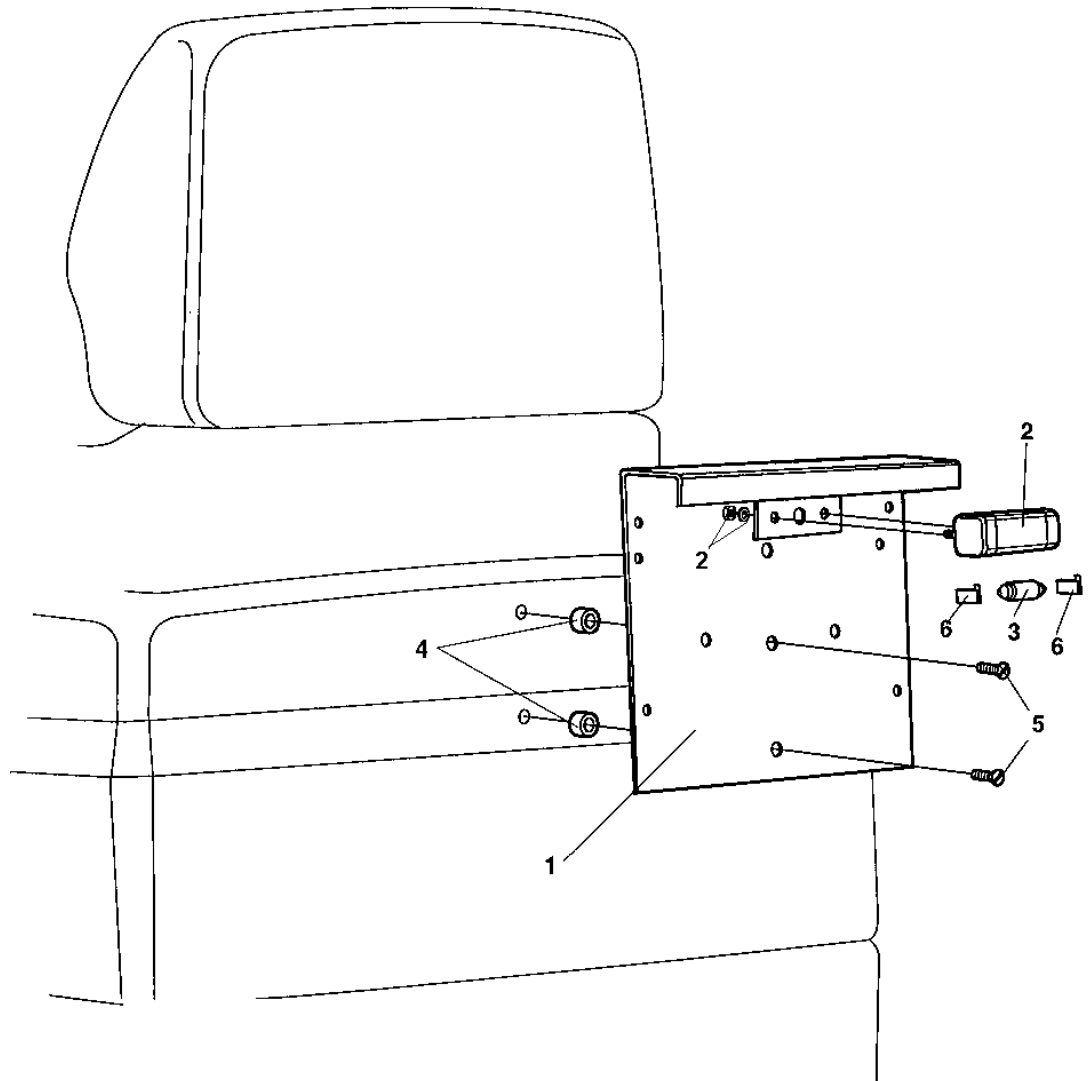


SMV sign Mounting on watertank

Ref. No.	Part No.	Rem.	Qty	Description	Code
1			1	Watertank	
2	476019		1	SMV sign	D
3	903782		4	Screw	M5x12
4	391920		1	Holder	
5	500006		2	Screw	M5x16
6	927974		2	Washer	5x19x1
7	904735		4	Washer	

Registrations - plate with light

18067

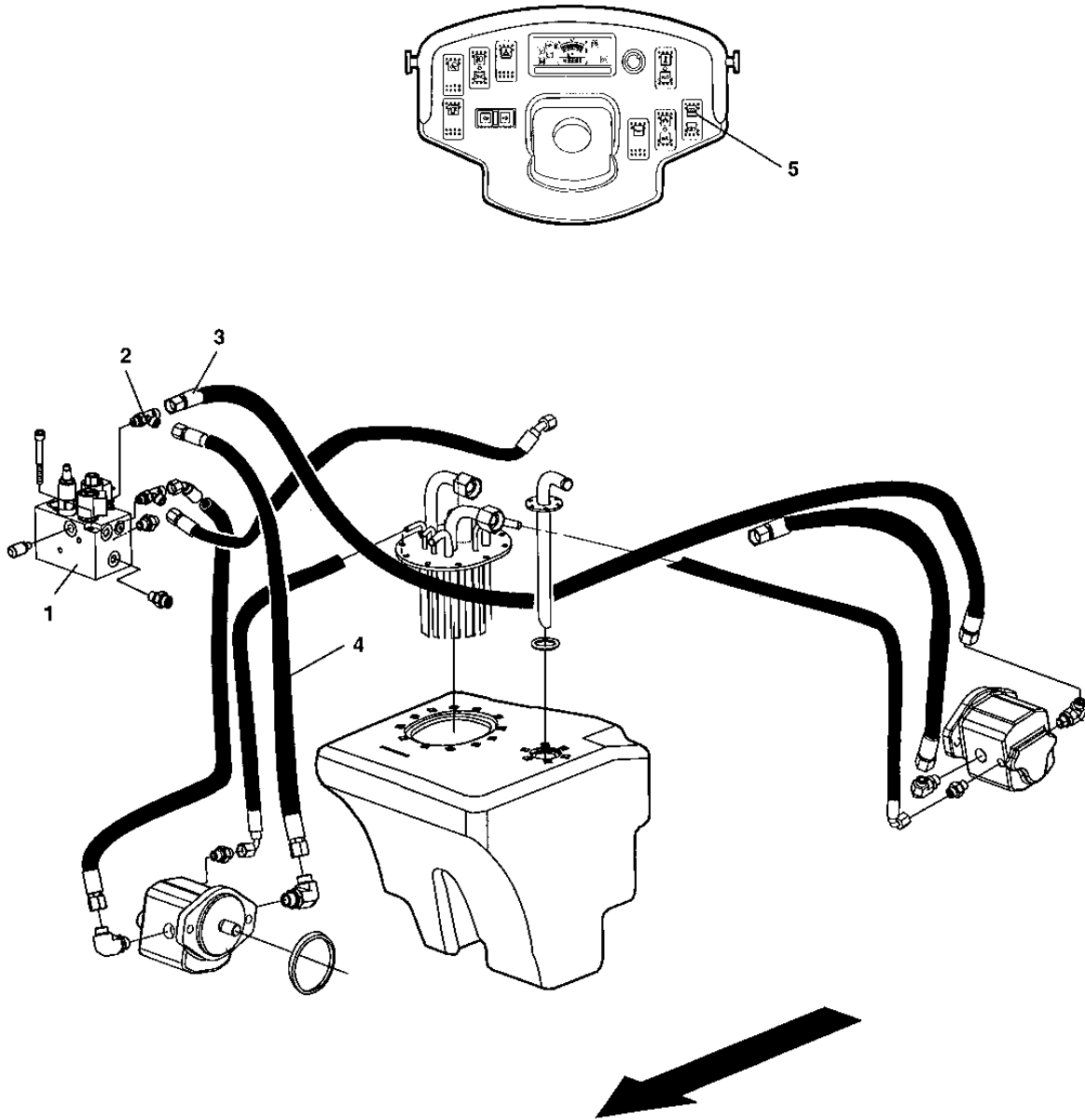


Registrations - plate with light

Ref. No.	Part No.	Rem.	Qty	Description	Code
1	355797		1	Licence plate holder	
2	929455		1	Licence plate light	
			2	.Washer	
			2	.Nut	
3	985013		1	Bulb	12V,5W
4	371728		2	Spacer sleeve	B
5	535008		2	Screw	M5x20
6	792035		2	Push-on terminal	

Hydraulic vibration, shut off front/rear drum

18062

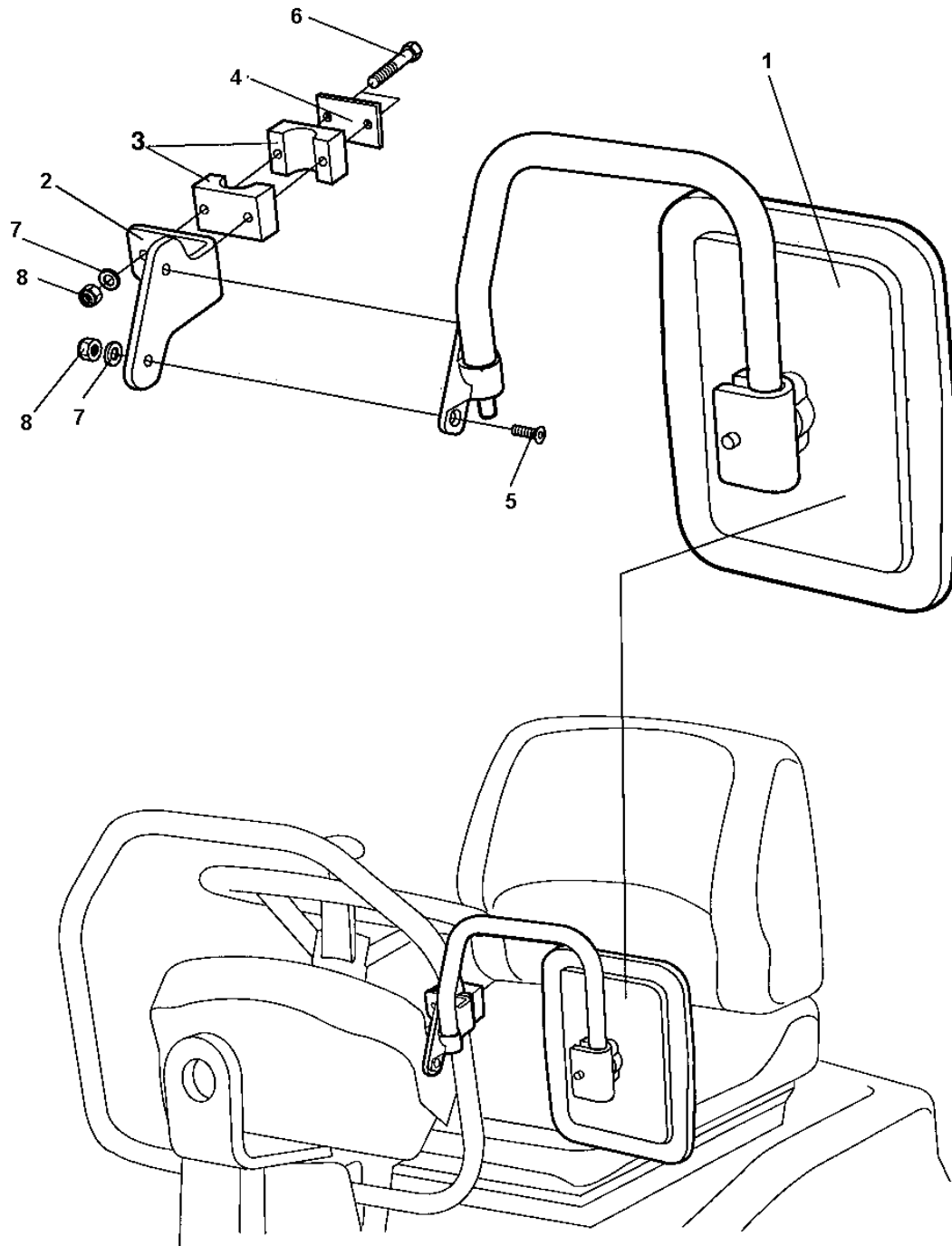


Hydraulic vibration, shut off front/rear drum

Ref. No.	Part No.	Rem.	Qty	Description	Code
1	387276		1	Combination valve	
2	791700		1	Tee-connector	
3	483668		1	Hydraulic hose	
4	483664		1	Hydraulic hose	
5	791581		1	Switch	

Rear view mirror

18061

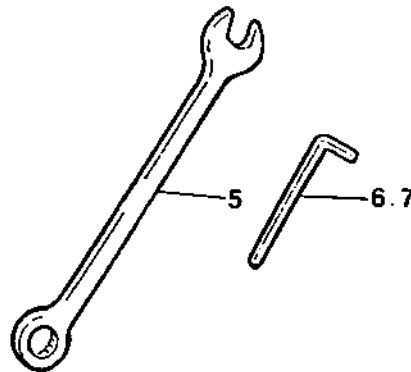
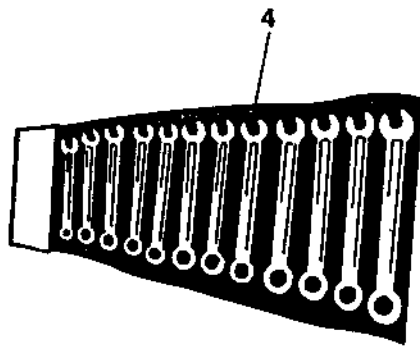
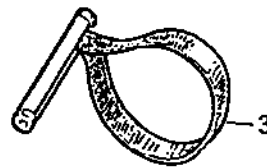
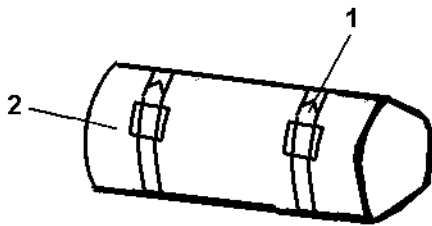


Rear view mirror

Ref. No.	Part No.	Rem.	Qty	Description	Code
1	355705		1	Rear mirror	D
2	357939		1	Holder plate	
3	902496		1	Clamp	
4	923859		1	Cover plate	
5	902845		2	Screw	
6	500016		2	Screw	M6-1,0x55 8,8
7	904228		4	Washer	
8	586002		4	Lock nut	M6

Tool equipment

18060



Tool equipment

Ref. No.	Part No.	Rem.	Qty	Description	Code
1	792061		2	Strap	
2	277992		1	Tool bag	
3	902610		1	Belt pliers	
4	901212	A	1	Open end spanner	
5	485177		1	Wrench	6"
6	485034		1	Allen wrench	4 mm
7	792060		1	Allen wrench	3 mm
A)	Kit				

NUMERICAL INDEX

Part Number	Page	Part Number	Page	Part Number	Page
111018	29,47	376555	9,11,13,57	386620	47
160032	67	376636	71	386622	47
160058	25,35,37	376637	9,13,71	386624	47
160101	67	376770	51	386628	47
160132	27,29,47	376771	51	386893	53
162015	67	376772	51	386948	51
162017	47	376783	19,47	386949	51
202042	77	376861	71	386951	59
205067	67	376873	43	386963	53
232160	67	376874	43	387039	39
238158	77	376875	43	387043	39
272373	105	376876	43	387055	33
277992	129	377008	97	387056	33
280101	101	377009	97,99	387057	33,35
282603	101	377010	97,99	387097	55
283711	67	377011	97,99	387099	53
287713	43	377012	97,99	387100	53
288129	59	377013	97	387101	53
297018	41	377014	97,99	387118	59
313001	53,65	377015	97,99	387137	47
313002	43	377016	97,99	387142	101
313008	67	377017	97	387148	41
313010	59	377018	97,99,117	387151	41
313023	57	377019	95	387154	41
313035	53,67	377020	95	387155	35
313102	65,71	377021	95	387200	59
313108	53,57,65,67	377022	97	387201	55
343490	47	377023	97	387205	53
343744	47	377024	95	387226	89,91,93
343801	47	377042	41	387227	89,91,93
346420	117	377043	41	387229	95
348331	91,93,105	377044	41	387236	89,91,93
349202	47	377053	117	387269	65
349332	33	377055	117	387270	63
350029	47	377056	117	387271	67
355704	75	377058	75	387272	67
355705	127	377061	41	387274	71
355797	123	377063	75	387275	71
355869	71	377139	77	387276	125
357002	51	377140	79	387277	71
357138	11,13,67	377253	113	387278	67
357139	67	377255	89	387279	57
357567	113	377343	115	387284	75
357587	105	377556	91,93	387287	53
357643	89,91,93	377610	33	387297	95
357855	89,91,93	377611	43	387298	95
357939	127	377621	33,37	387344	39
358232	89,91,93	377677	101	387345	39
358254	113	378178	39	387346	23,39
358666	47	378710	77	387376	33
358689	47	378759	97,99,117	387377	79,81
358881	43,109,115	378932	77	387378	79
359043	39	379009	43	387424	33
371728	123	379012	105	387425	33
371785	53	379636	91,93	387428	53
372123	105	380343	67	387453	89,91,93
372570	89	382751	105	387545	89,91,93
372659	101	383697	43	387552	57
372964	71	383705	89,91,93	387597	63
373363	105	385599	77	387598	63
374460	119	386241	47	387676	63
376554	9,11,13,51	386619	47	387677	33,63

NUMERICAL INDEX

Part Number	Page	Part Number	Page	Part Number	Page
387678	63	389763	83	500040	53
387682	57	389798	101	500047	51
387683	77	389919	105	500048	71
387685	89,91,93	389920	105	500050	25,35,37
387695	57	390316	67	500053	33,41,51,59,63
387704	67	390586	91,93		67,71,75
387713	67	391379	99	500067	33,39
387720	89,91,93	391380	99	500068	41,57,63
387758	67	391381	99	500075	77
387766	89,91,93	391382	99	500090	43,57
387779	33	391383	99	500105	39
387886	33	391386	99	500161	51
387935	43,115	391784	93	500176	33
387947	41	391920	121	500180	83
387948	41	391984	21,47	500208	33
387949	33,41	392011	43	500212	47
387956	41	392508	43	500280	47
388008	77	392509	43	500292	43
388009	75,85	393956	77	500505	89,91,93
388010	77	394253	57	500506	51
388017	115	394301	93	500509	89,91,93
388087	43,115	395227	53	502019	51
388153	33	416034	95	508002	67
388171	25,35,37	476019	119,121	508004	43
388172	25,35,37	483646	63	508012	67
388173	25,35,37	483647	65	508019	51
388176	35	483649	67	508022	41
388177	35	483652	65	508025	67
388178	35	483653	71	508029	47,51
388194	67	483654	71	508041	75
388382	79	483655	71	508048	51,117
388447	89,91,93	483656	71	508063	101
388476	95	483657	71	508068	97,99
388636	79	483658	67	508092	59,67,75,89,95
388653	67	483661	65	508094	67
388721	75	483662	71	513013	119
388733	41	483664	67,125	513017	89,91,93
388737	77	483665	65	513027	89
388772	83	483668	125	527002	47
388773	83	483684	51	530027	33
388846	41	483689	65	535008	123
388849	33	483690	65	541702	83,85
388850	33	483691	67	570004	75,77,97,99
388852	41	483696	71	570005	39,51,75,119
388960	63	483879	65	570006	51
389003	51	485034	129	570007	47
389005	59	485177	129	573005	79,81
389019	59	500006	75,121	573008	101
389036	59	500007	89,91,93	586001	75,95
389142	53	500012	47	586002	41,77,127
389155	43,115	500013	59,95	586003	33,39,41,57,75
389218	43	500016	127		77,83,91,93,95
389400	65	500018	89,91,93	586018	39,51,89,91,93
389401	67	500019	63		117
389402	67	500021	53,55,75,83	586019	97,99
389403	65	500022	47,51	586022	33
389404	65	500024	39,75	624015	105
389432	47	500029	43,47,51,57,115	629101	83
389434	47	500030	89,91,93	635061	33,101
389556	63	500031	71,117	791060	77
389561	83	500033	51	791185	77
389577	83	500037	65	791211	77

NUMERICAL INDEX

Part Number	Page	Part Number	Page	Part Number	Page
791226	89,91,93	791926	117	903374	47
791228	41	791938	39	903422	105
791290	105	791939	39	903423	105
791322	67	791941	67	903424	105
791395	67	791949	43	903425	105
791407	67	791950	43	903459	105
791408	71	791951	79	903658	43,89,91,93,115
791410	71	791953	79	903714	53
791412	65,71	791954	79	903741	77
791417	67	791955	79	903768	75
791422	57	791956	105	903782	77,121
791425	27,47	791957	81,105	903810	79
791426	27,29,47	791958	105	903856	41
791433	27,47	791959	43	903886	43
791476	89,91,93	791961	35	903945	97,99
791483	55,75	791962	25,35,37	903946	97,99
791493	51,53	791970	79,81	903947	97,99
791502	75	791971	79	903948	117
791535	51,63	791972	33	903956	75,79
791537	63,65	791977	43	904009	63,65,71
791538	65,67	791980	83	904012	41
791539	65	791981	83	904092	105
791540	71	792019	75	904097	105
791541	67	792020	75	904203	119
791542	71	792026	51	904214	33
791543	65	792035	123	904228	33,41,47,53,59
791549	65	792059	79		67,75,77,95,105
791550	75	792060	129		127
791559	41	792061	129	904229	33,39,41,43,51
791565	71	792070	67		55,57,59,63,67
791568	43	792072	39		71,75,83,89,91
791578	77	792083	77		93,95,101,117
791579	77	792098	85	904230	51,71,79,81,89
791580	77	792149	33		91,93,117
791581	77,125	792188	39	904231	33,47,51,75,101
791582	77	792189	39	904233	33
791583	79	792190	39	904281	43,89,91,93,115
791584	79	792236	89,91,93	904314	79,81
791585	83	792250	51	904556	41,53,67,75,77
791586	79	792320	77		89,91,93,95
791587	79,81	792611	25,35,37	904557	47,51,57,89,91
791588	77	900790	79		93,115
791597	41	900986	101	904558	47
791599	65	901157	65,67	904563	97,99
791616	89,91,93	901212	129	904567	43
791639	75	901225	79	904640	33,39,43,47,51
791643	41,79	901227	77,79		53,55,63
791647	77	901228	77,81	904641	63
791668	117	901369	81	904698	57,75,89
791669	117	901432	43	904703	47,55,65
791699	67	901767	77	904735	43,67,121
791700	67,125	901832	53	904755	95
791701	71	902123	71	904835	113
791704	79	902166	41,89,91,93	904870	105
791754	41,57,81,105	902227	81	904878	43
791774	57	902286	53	904889	79
791775	39,77	902496	127	904984	57
791778	67	902560	113	904989	79
791780	53	902610	129	908229	101,105
791794	67	902845	127	921039	83
791916	79	903154	47	921050	75
791918	105	903236	57	923270	41,95

NUMERICAL INDEX

Part Number	Page	Part Number	Page	Part Number	Page
923734	43	945473	51		
923735	43	945526	71		
923859	127	945531	63		
923976	75,89	945532	63		
924544	43	945552	17,21		
924986	43	945629	51		
924996	43	945710	17,27		
925228	47	945711	17,29		
925519	47	945729	97,99,117		
925802	67	945753	57		
926537	95	945777	57		
927233	97,99	945878	55		
927568	55	945928	17,25,35,37		
927974	121	947684	71		
928198	47	947687	47		
928381	41	947694	47		
928830	71	960079	79		
929191	33	985013	123		
929455	123	985125	79		
935613	71	991658	105		
935614	71	999027	75		
936283	89				
937813	67				
939802	11,13,59				
939803	11,13,59				
939804	59				
939805	59				
939806	59				
939807	59				
939932	13,51				
939977	51				
940201	57				
940202	57				
940203	57				
940208	7,9				
940209	7,11				
940210	7,13				
940212	13				
940227	51				
940228	51				
940229	51				
940231	51				
940374	97,99,117				
940447	51				
940451	77				
940613	65				
940664	17,19				
940671	17,23				
940885	67				
940886	67				
940887	69				
940888	67				
940894	57				
940922	57				
940960	95				
940976	51				
945123	51				
945284	51				
945286	51				
945312	67				
945340	67				
945407	99				

