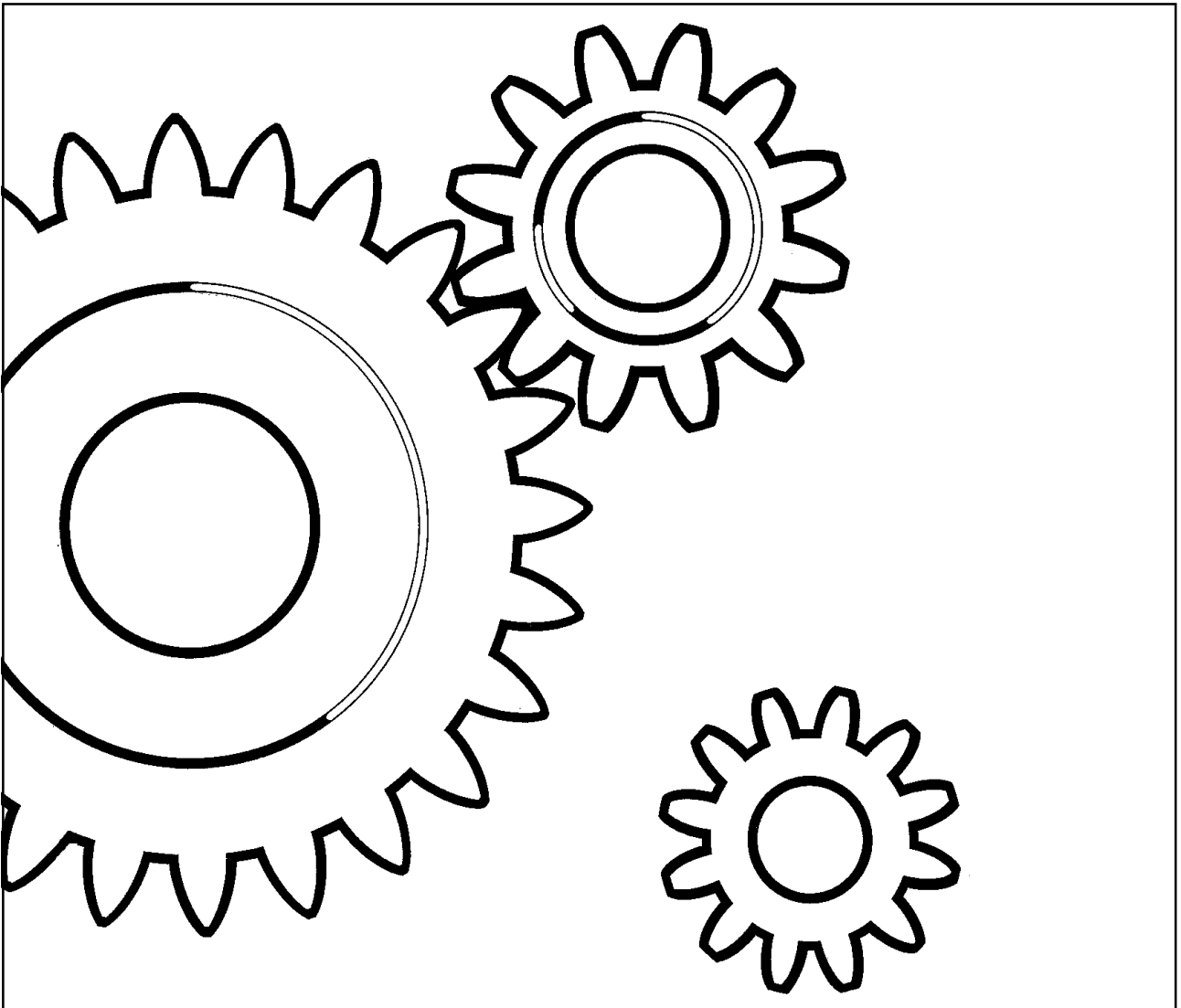


**DYNAPAC
CC524HF
SPARE PARTS
CATALOGUE
SCC524HF-CN1EN1**



DYNAPAC

Part of the Atlas Copco Group

Box 504, SE-371 23 Karlskrona, Sweden
Phone: +46 455 30 60 00, Fax: +46 455 30 60 10
www.dynapac.com

Vibratory Roller CC524HF

Spare Parts Catalogue SCC524HF-CN1EN1

Valid from roller serial number:

384C30001

Diesel engines:

Cummins QSB 4.5

Published catalogue issues valid for these rollers:

<i>Catalogue</i>	<i>Issue date</i>	<i>Valid for serial numbers</i>
<i>SCC524HF-CN1EN1</i>	<i>2008 -11</i>	<i>*384C30001 -</i>



RESERVDLSBESTÄLLNING

Följande uppgifter ska lämnas vid beställning av reservdelar för att undvika leveransfel:

1. Maskintyp.
2. Vältens serienummer.
3. Antal av önskad reservdel.
4. Reserdelens artikelnummer.
5. Reservdelens benämning.
6. Måttuppgifter vid beställning av metervara.

ORDERING SPARE PARTS

To avoid errors in delivery, please give the following information when ordering spare parts:

1. Type of machine.
2. Roller serial number.
3. Quantity required.
4. Part number.
5. Parts denomination.
6. Dimensions when ordering per length.

ERSATZTEILBESTELLUNG

Zur Vermeidung von Fehllieferungen sind bei der Bestellung von Ersatzteilen folgende Angaben zu machen:

1. Maschinentyp.
2. Herstellungsnummer.
3. Bestellmenge. (Quantity)
4. Ersatzteilnummer. (Part N°)
5. Ersatzteilbenennung. (Denomination)
6. Massangaben bei Bestellung von Meterware.

ORDINI DI RICAMBI

Per evitare errori nelle consegne di ricambi, Vi preghiamo di comunicarci le seguenti informazioni al momento dell'ordinazione:

1. Tipo di macchina.
2. Numero di serie della macchina.
3. Quantità dei pezzi desiderati. (Quantity)
4. Numero di codice del pezzo. (Part N°)
5. Descrizione del pezzo di ricambio. (Denomination)
6. Misura, in caso di ordine per metro.

PEDIDO DE RECAMBIOS

Para evitar errores en las entregas, deberán indicarse los siguientes datos al hacer un pedido de recambios:

1. Tipo de máquina.
2. Número de serie.
3. Cantidad de piezas deseadas. (Quantity)
4. Número de artículo de la pieza de recambio. (Part N°)
5. Denominación de la pieza. (Denomination)
6. Indíquese la medida al solicitar un artículo que se expide por metros.

COMMANDE DE PIÉCES DE RECHANGE

Les indications suivantes doivent être fournies lors de la commande de pièces de rechange, afin d'éviter toute erreur de livraison:

1. Type de machine.
2. Numéro de série.
3. Quantité désirée de pièce de rechange. (Quantity)
4. Numéro de la pièce de rechange. (Part N°)
5. Dénomination de la pièce de rechange. (Denomination)
6. Longueur en cas de commande au mètre.

YOUR AGENT/DEALER:

Text pages

The text pages is structured as the picture on the right.

1. This is the remarks for specific items and the descriptions of the remarks is at the bottom of the parts list.

2. Parts indicated by a dot and moved to the right are included when buying the assembled unit above.

3. Spare parts and service code for a specific part, mainly for internal use at Dynapac. "A" = Service part, "B" = Fast moving part, "C" = Suggested exchanged part and "D" = Regular spare part.

Cooling system						Heat Dynapac AB
Ref. No	Part No	Warr	Qty	Description	Code	
1	222027		1	Water cooler	③	
2	935822		1	Pressure cap	③	
3	935825	①	②	Cap		
4	171221	A		Refrigerant	1	
5	171223			Cap		
6	222028	B	10	Refrigerant		
7	171224	C		Refrigerant	J	
8	171225			Refrigerant	J	
9	222029			Cap		
10	222030		10	Refrigerant		
11	222031			Cap		
12	222032			Cap		
13	900120			Refrigerant		
14	900121			Refrigerant		
15	900122			Refrigerant		
16	900123			Refrigerant		
17	900124			Refrigerant		
18	900125			Refrigerant		
19	900126			Refrigerant		
20	900127			Refrigerant		

①
A Service part
B Fast moving part
C Suggested exchanged part
D Regular spare part

Changes

PARTS INFO	SERVICE INFO	GROUP	PAGE	NOTES

Notes

PÄRMETIKETT

För att undvika fel vid reservdelsbeställning finns här nedan två etiketter som passar i fickorna på pärmarnas ryggar. På dessa kan man se från vilket vältnummer av aktuell maskin reservdelskatalogen gäller. Gör så här:

1. Tag denna sida ur pärmen.
2. Klipp ut etiketten till **VÄNSTER** (1) och sätt in den i fickan på **DENNA** pärmens rygg.
3. Finns det en etikett till **HÖGER** (2), kan denna användas på pärmen för **FÖREGÅENDE** utgåva av denna katalog.
4. Kasta detta papper.

KATALOG-BESCHRIFTUNG

Zur Vermeidung von Fehlern bei der Ersatzteilbestellung benutzen Sie bitte die unteren Beschriftungen, um die Kataloge auf der Rückseite zu kennzeichnen. Auf der Beschriftung ist angegeben, für welche Maschinennummern der jeweilige Katalog gültig ist. Ablauf:

1. Nehmen Sie dieses Blatt aus dem Katalog.
2. Schneiden Sie die **LINKE** Beschriftung (1) aus. Schieben Sie die Beschriftung in die tasche auf **DEM** Katalogrücke.
3. Sollte die Beschriftung unten **RECHTS** (2) mitgeliefert werden, kennzeichnen Sie damit bitte die **ÄLTERE** Ausführung dieses Kataloges.
4. Den Rest dieses Blattes bitte vernichten.

ETIQUETAPARALACARPETA

Para evitar errores al pedir repuestos utilicen las etiquetas abajo descritas para identificar los catálogos en la parte trasera de la carpeta. En la etiqueta se ven los números de referencia de la serie para la cual es válido el catálogo. Instrucciones:

1. Quitar esta página de la carpeta.
2. Corta la etiqueta **IZQUIERDA** (1) y ponerla en **ESTA** carpeta en la parte trasera.
3. Si hay una etiqueta en la parte **DERECHA** (2) se puede utilizar en la carpeta para el catálogo que **PRECEDE** a esta.
4. Tirar esta hoja.

BINDER LABEL

To avoid errors when ordering spare parts use the labels below to identify the catalogues on the back of the binder. The label contain the serial number range for which the catalogue is valid. Do like this:

1. Remove this page from the binder.
2. Cut out the **LEFT** label (1) and put it on **THIS** binders back.
3. If there is a label to the **RIGHT** (2), it can be used on the binder for **PRECEDING** issue of this catalogue.
4. Throw away this paper.

ETICHETTA POSTA SUL RACCOGLITORE

Per evitare errori quando ordinate pezzi di ricambio, usate le etichette in calce che servono ad identificare i cataloghi sul retro del raccoglitore. L'etichetta indica il numero di matricola delle macchine prese in considerazione nel catalogo.

1. Rimuovete questa pagina dal raccoglitore.
2. Ritagliate l'etichetta posta a **SINISTRA** (1) e ponetela sul retro **DEL** raccoglitore.
3. Se trovate anche un'etichetta sulla **DESTRA** (2), ritagliatela e ponetela sul raccoglitore relativo alla **PRECEDENTE** edizione del catalogo.
4. Distruggete questo foglio.

ETIQUETAGE DU CATALOGUE

Afin d'éviter des erreurs lors de commandes de pièces de rechange, nous vous conseillons d'apposer les marquages ci-dessous à l'arrière du classeur, pour identifier les catalogues. Ce marquage indique les numéros de série pour lesquels le catalogue est adapté. Il convient de procéder de la façon suivante:

1. Retirez cette page du classeur.
2. Découpez l'étiquette de **GAUCHE** (1), et apposez-la à l'arrière de **CE** catalogue.
3. Si il y a une étiquette à **DROITE** (2), vous pourrez l'apposer sur le classeur de l'édition **PRECEDENTE** du catalogue.
4. Détruire cette feuille.

1.

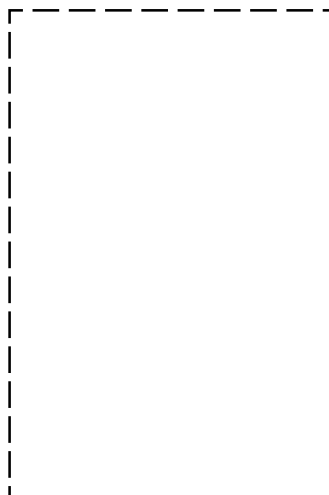


TABLE OF CONTENTS

Page

CC524HF SN 384C30001 -	2
Service kits	4
945805 Service kit 50 h, Cummins QSB 4.5 T3	6
945806 Service kit 500 h, Cummins QSB 4.5 T3	8
945807 Service kit 1000 h, Cummins QSB 4.5 T3	10
Repair kits	12
950151 Scraper kit CC524HF	14
945903 Eccentric shaft kit CC424HF/524HF/624HF	16
938891 Drum rotation kit	18
945904 Shock absorber kit, drum CC424HF/524HF/624HF	20
Frame	22
Front frame	24
Front frame	26
391023 Steering cylinder	28
Tank structure module	30
Tank structure module	32
391307 Cover	34
Hitch module	36
Hitch link	38
Filling pipe module	40
Filling pipe	42
Cover module	44
Holder	46
Grab handle module	48
Rear frame	50
Rear frame	52
Cover, cpl	54
Engine structure, module	56
Engine structure	58
390157 Engine cover	60
390158 Engine cover	62
Oil cooler	64
Oil cooler	66
Fan	68
Fan	70
Noise suppression plates	72
Noise suppression, covers	74
Grab handle module	76
Sprinkler system	78
Sprinkler pump module	80
Sprinkler pump	82
Sprinkler pump, backup	84
Sprinkler pump, additional sprinkler	86
Sprinkler pump mount	88
Filling pipe module	40
Filling pipe	42
Cover lock module	90
Lock bracket	92
Locking device module	94
Water hoses	96
End frame, front	98
End frame, front	100
Frame	102
Fork, vibration side	104
Fork, propulsion side	106

TABLE OF CONTENTS

Page

	Cover plate	108
	Hose clamp, propulsion side	110
	Hose clamp, vibration side	112
	Step, vibration side	114
	Step	116
	Step, propulsion side	118
	Step	120
	Scraper module, without nozzles	122
	Scraper assy	124
	Scraper module, with nozzles	126
	Scraper assy with nozzles	128
394340	Scraper bracket, cpl	130
	Grab handle, release	132
	Grab handle, lift	134
	End frame, rear	136
	End frame, rear	138
	End frame, rear offset	140
	Frame	142
	Connection block	144
	Micro switch	146
391024	Steering cylinder	148
	Eyelet module	150
	Eyelet module	152
	SMV-sign module	154
	SMV-sign	156
	Grab handle, lift	134
	Drum	158
	Drum	160
	Drum bearing module	162
	Drum bearing	164
	Propulsion motor module	166
	Drive unit	168
390604	Drum gear	170
	Vibration motor module	172
	Vibrating unit Sauer	174
	Engine	176
	Engine room	178
	Engine	180
	Engine module	182
390832	Diesel engine 82kW	184
390831	Diesel engine 93kW	186
379624	Diesel engine 113kW	188
	Air cooler hoses	190
	Water cooler hoses	192
	Air cleaner module	194
	Air cleaner hose module	196
	Muffler	198
	Exhaust pipe module	200
	Fuel hose module	202
	Charge air cooler	204
	Water cooler	206
	Radiator, cpl	208
	Expansion tank assembly	210
394155	Expansion tank	212
	Coolant hoses	214
	Hydraulic system	216
	Hydraulic system, front drum	218

TABLE OF CONTENTS

Page

	Hydraulic system, rear drum std	220
	Hydraulic hoses, frame std	222
	Hydraulic system, steering Std	224
	Hydraulic valve module	226
	Hydraulic valve	228
	Hose bracket	230
	Hydraulic steering, sliding seat Std	232
	Steering, slideable	234
372424	Pilot valve, steering	236
	Hydraulic hoses, engine structure std	238
	Hydraulic pump module	240
	Hydraulic pump	242
390602	Hydraulic pump	244
	Hydraulic valve module, offset	246
	Hydraulic valve	248
	Electrical equipment	250
	Electric cables, power supply	252
	Battery disconnecter	254
	Battery disconnecter	256
	Electric cables, power supply cab	258
	Electric cables, engine-ECU	260
	Standard ECU module	262
	Standard ECU assembly	264
	Electric cables, sensors/ horn/ back-up alarm	266
	Back-up alarm	268
	Back-up alarm	270
	Horn module	272
	Horn	274
	Tachograph	276
	Tachograph holder module	278
	Cable harness kit	280
	Power supply module	282
	Driving & side direction lights	284
	Accessories ECU module	286
	Driving lights, front RH	288
	Driving lights, front LH	290
	Turn signals	292
	Driving lights, rear	294
	Steering column switch module	296
	Cable harness and switch module	298
	Registration plate light module	300
	Registration plate light	302
	Rotating beacon, working light	304
	Rotating beacon module	306
	Working light module H3	308
	Working light module Xenon	310
	Drivers platform	312
	Platform, no cab	314
	Platform no ROPS	316
	Hand rail, left	318
	Hand rail	320
	Hand rail, right	322
	Hand rail	324
	Hand rail	326
	Lunch box module	328
	Canopy	330
	Canopy assy	332
	Bracket	334

TABLE OF CONTENTS

Page

	Cab, asymmetric	336
390864	Cab, cpl	338
	Cab frame, right side	340
	Roof	342
	General parts	344
	Windshield wiper, front	346
	Windshield wiper, rear	348
	Windshield washer reservoir	350
	Electric equipment	352
	Front panel	354
	Door frame	356
395806	Door	358
	Cab screens	360
	Rear covers	362
	Air channel	364
	Heater unit	366
	Heater	368
	Heater controls	370
	Manual box	372
	Cab heater system	374
	Heater hoses	376
	Cab noise cover	378
	Radio and cd player	380
	Radio and cd player module	382
	Drivers seat	384
	Seat frame structure	386
	Seat frame	388
391163	Steering column	390
	Seat CE	392
	Seat with suspension	394
	Controls, slidable and turning	396
	Cross sliding	398
	Carrier	400
	Drive control, cpl	402
	Drive control	404
	Control panel cover	406
	Display unit	408
	Display	410
	Decals	412
	Decals	414
	Optional equipment	416
	Air conditioning	418
	Compressor module	420
	Condensor module	422
	Condensor	424
	Evaporator module	426
393584	Evaporator unit	428
	Hose kit AC	430
	Hose kit	432
	Hose kit Compressor	434
	Hose kit AC	436
	ACC module	438
	ACC controls	440
	Edge cutter	442
	Edge cutter, module	444
390998	Edge cutter, cpl	446
390999	Holder	448
391009	Bearing unit	450

TABLE OF CONTENTS**Page**

387275	Hydraulic cylinder -----	452
	Pressing roller, module -----	454
	Hydraulic valve, module -----	456
	Hydraulic valve -----	458

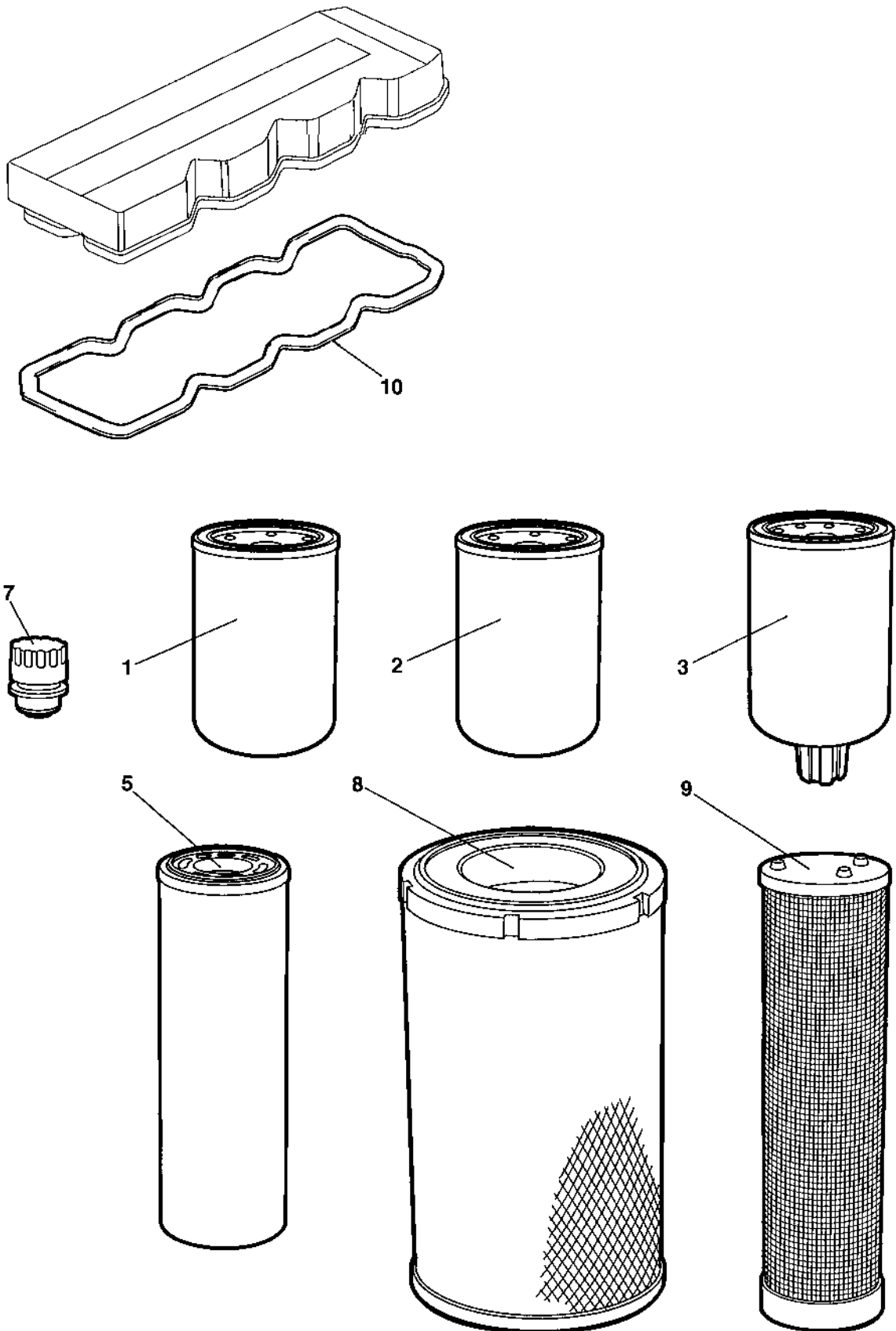


CC524HF SN 384C30001 -

Ref. No.	Part No.	Rem.	Qty	Description	Code
				Service kits (Page 4)	
				Repair kits (Page 12)	
1				Frame (Page 22)	
2				Drum (Page 158)	
3				Engine (Page 176)	
5				Hydraulic system (Page 216)	
6				Electrical equipment (Page 250)	
7				Drivers platform (Page 312)	
8				Decals (Page 412)	
9				Optional equipment (Page 416)	

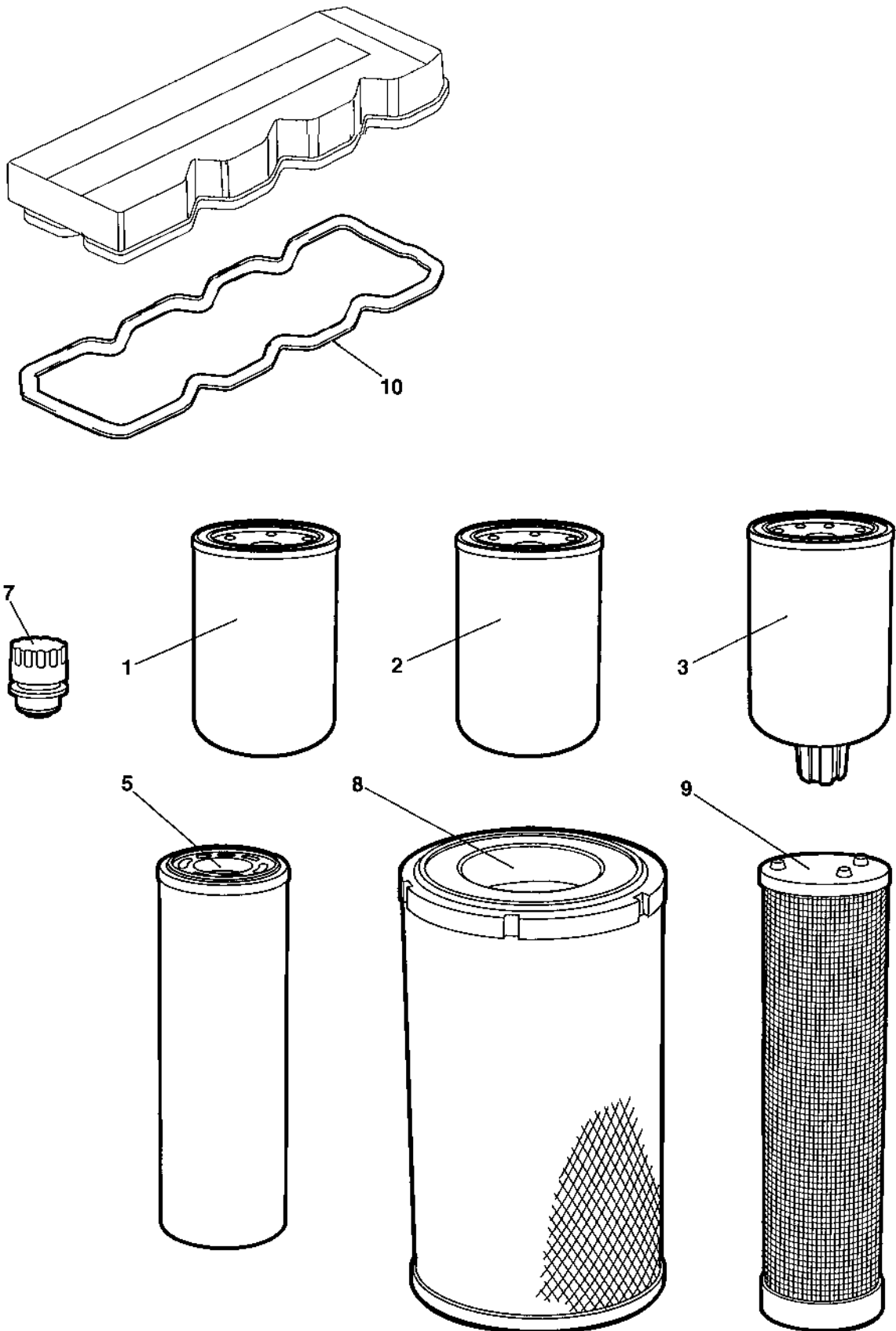
Service kits

Ref. No.	Part No.	Rem. Qty	Description	Code
1	945805	1	Service kit (Page 6)	50 h, Cummins QSB 4.5 T3
2	945806	1	Service kit (Page 8)	500 h, Cummins QSB 4.5 T3
3	945807	1	Service kit (Page 10)	1000 h, Cummins QSB 4.5 T3



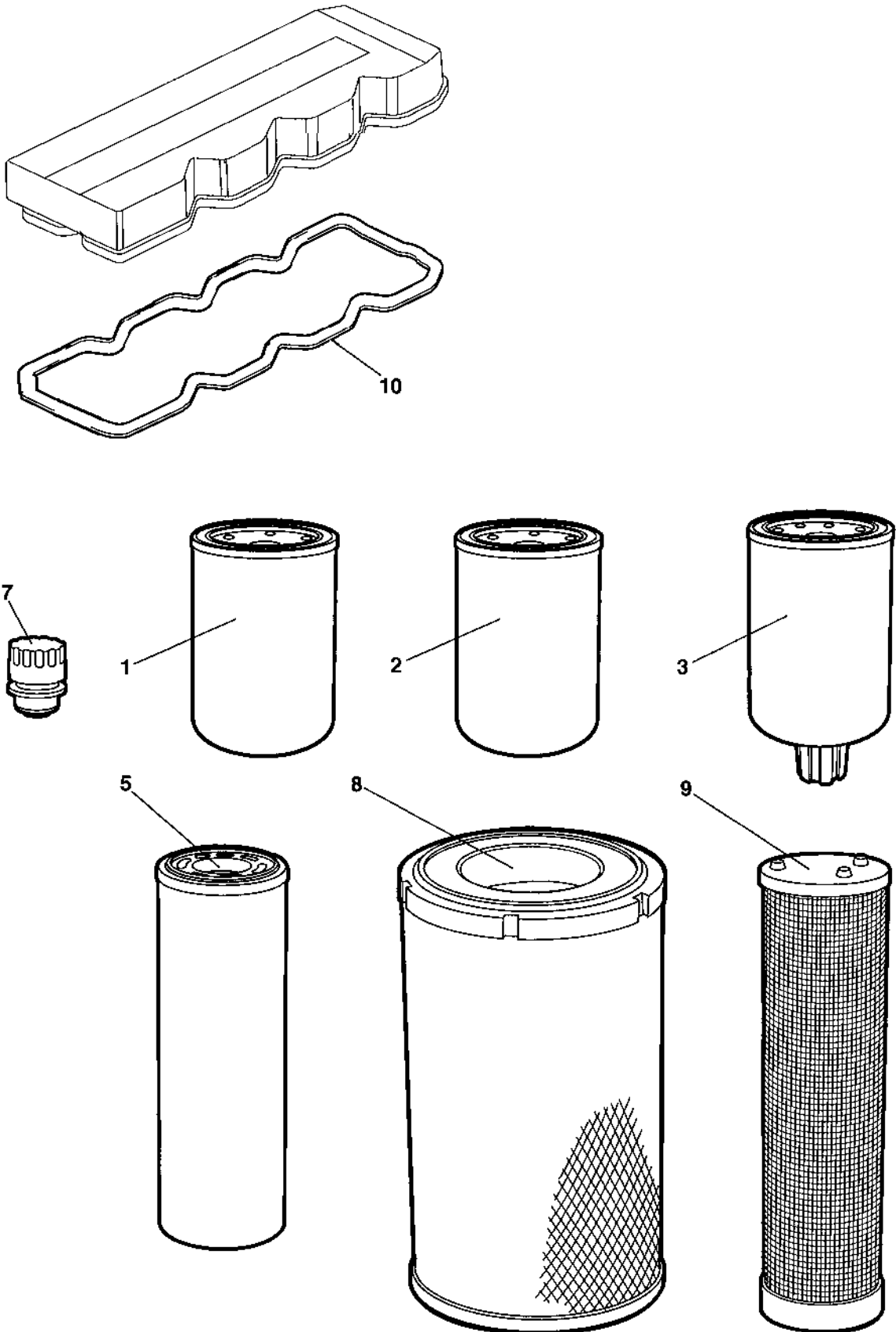
945805 Service kit 50 h, Cummins QSB 4.5 T3

Ref. No.	Part No.	Rem.	Qty	Description	Code
	945805			Service kit (Page 6)	50 h, Cummins QSB 4.5 T3
1	945145		1	Oil filter element	A
2	945624		1	Fuel filter element	A
3	945147		1	Pre-fuel filter element	A
5	391433		1	Filter element	A



945806 Service kit 500 h, Cummins QSB 4.5 T3

Ref. No.	Part No.	Rem.	Qty	Description	Code
	945806			Service kit (Page 8)	500 h, Cummins QSB 4.5 T3
1	945145		1	Oil filter element	A
2	945624		1	Fuel filter element	A
3	945147		1	Pre-fuel filter element	A



945807 Service kit 1000 h, Cummins QSB 4.5 T3

Ref. No.	Part No.	Rem.	Qty	Description	Code
	945807			Service kit (Page 10)	1000 h, Cummins QSB 4.5 T3
1	945145		1	Oil filter element	A
2	945624		1	Fuel filter element	A
3	945147		1	Pre-fuel filter element	A
5	391433		1	Filter element	A
7	391026	B	1	Ventilating filter	A
8	390995		1	Main filter element	A
9	390994		1	Safety filter element	A
10	945760		1	Valve cover gasket	

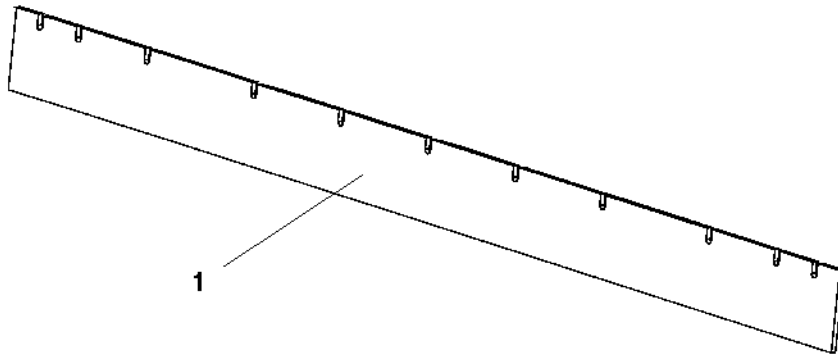
B) Ventilated oil filler cap for the hydraulic oil tank

Repair kits

Ref. No.	Part No.	Rem. Qty	Description	Code
-1			Repair kits	
1	950151	1	Scraper kit (Page 14)	CC524HF
2	945903	2	Eccentric shaft kit (Page 16)	CC424HF/524HF/624HF
3	938891	2	Drum rotation kit (Page 18)	
4	945904	2	Shock absorber kit, drum (Page 20)	CC424HF/524HF/624HF

950151 Scraper kit CC524HF

950151

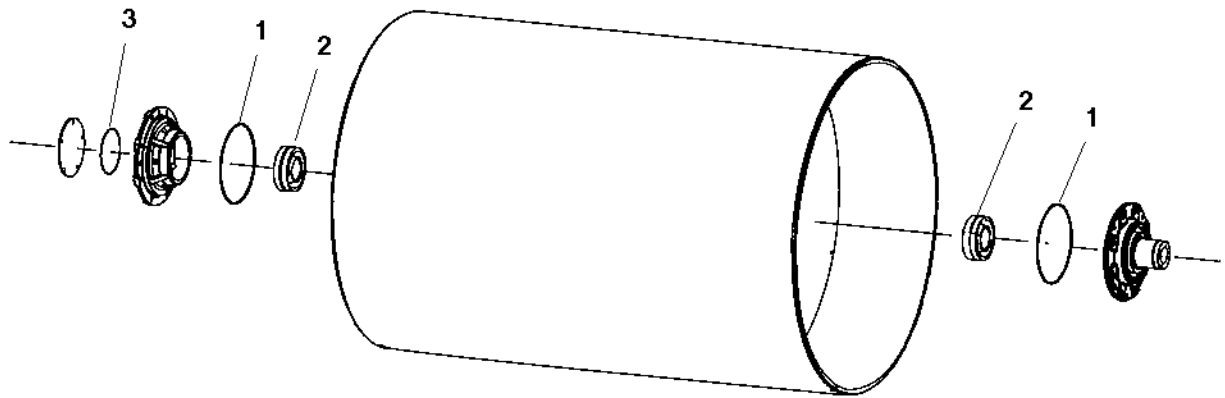


950151 Scraper kit CC524HF

Ref. No.	Part No.	Rem.	Qty	Description	Code
	950151			Scraper kit (Page 14)	CC524HF
1	395114		4	Scraper blade	

945903 Eccentric shaft kit CC424HF/524HF/624HF

945903

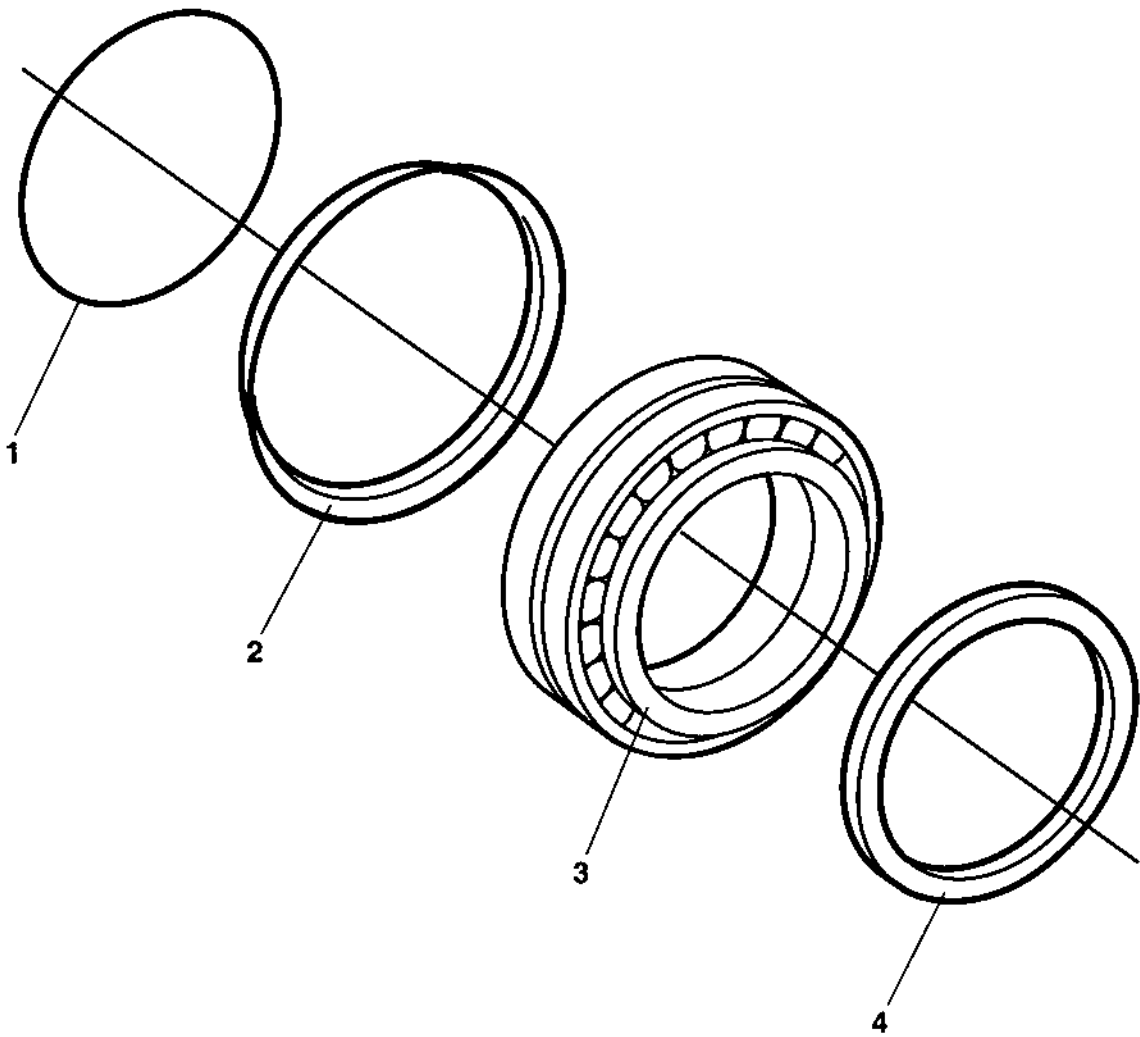


945903 Eccentric shaft kit CC424HF/524HF/624HF

Ref. No.	Part No.	Rem.	Qty	Description	Code
	945903			Eccentric shaft kit (Page 16)	CC424HF/524HF/624HF
1	160344		2	O-ring 70	D
2	792270		2	Spherical roller bearing	D
3	160045		1	O-ring 70	

938891 Drum rotation kit

RAMLAGER

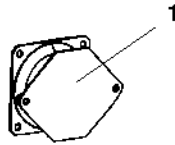


938891 Drum rotation kit

Ref. No.	Part No.	Rem.	Qty	Description	Code
	938891			Drum rotation kit (Page 18)	
1	160105		1	O-ring 70	D
2	929447		1	V-ring	D
3	116041		1	Taper roller bearing	D
4	386272		1	Sealing	D

945904 Shock absorber kit, drum CC424HF/524HF/624HF

945717



945904 Shock absorber kit, drum CC424HF/524HF/624HF

Ref. No.	Part No.	Rem.	Qty	Description	Code
	945904			Shock absorber kit, drum (Page 20)	CC424HF/524HF/624HF
1	394250	A	8	Shock absorber	B
2	394251	B	4	Shock absorber	

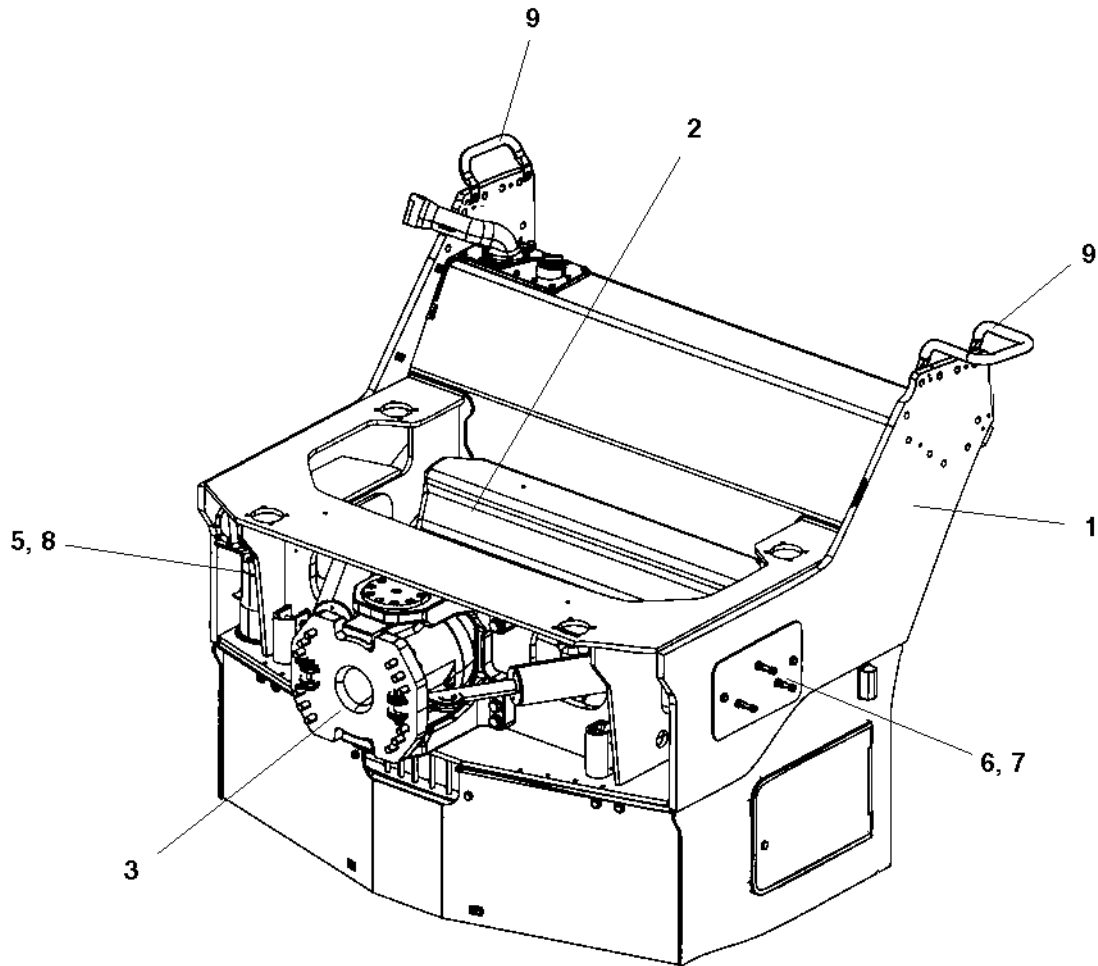
- A) Propulsion side
- B) Vibration side

Frame

Ref. No.	Part No.	Rem.	Qty	Description	Code
1				Front frame (Page 24)	
3				Rear frame (Page 50)	
4				Sprinkler system (Page 78)	
6				End frame, front (Page 98)	
7				End frame, rear (Page 136)	

Front frame

AR0025



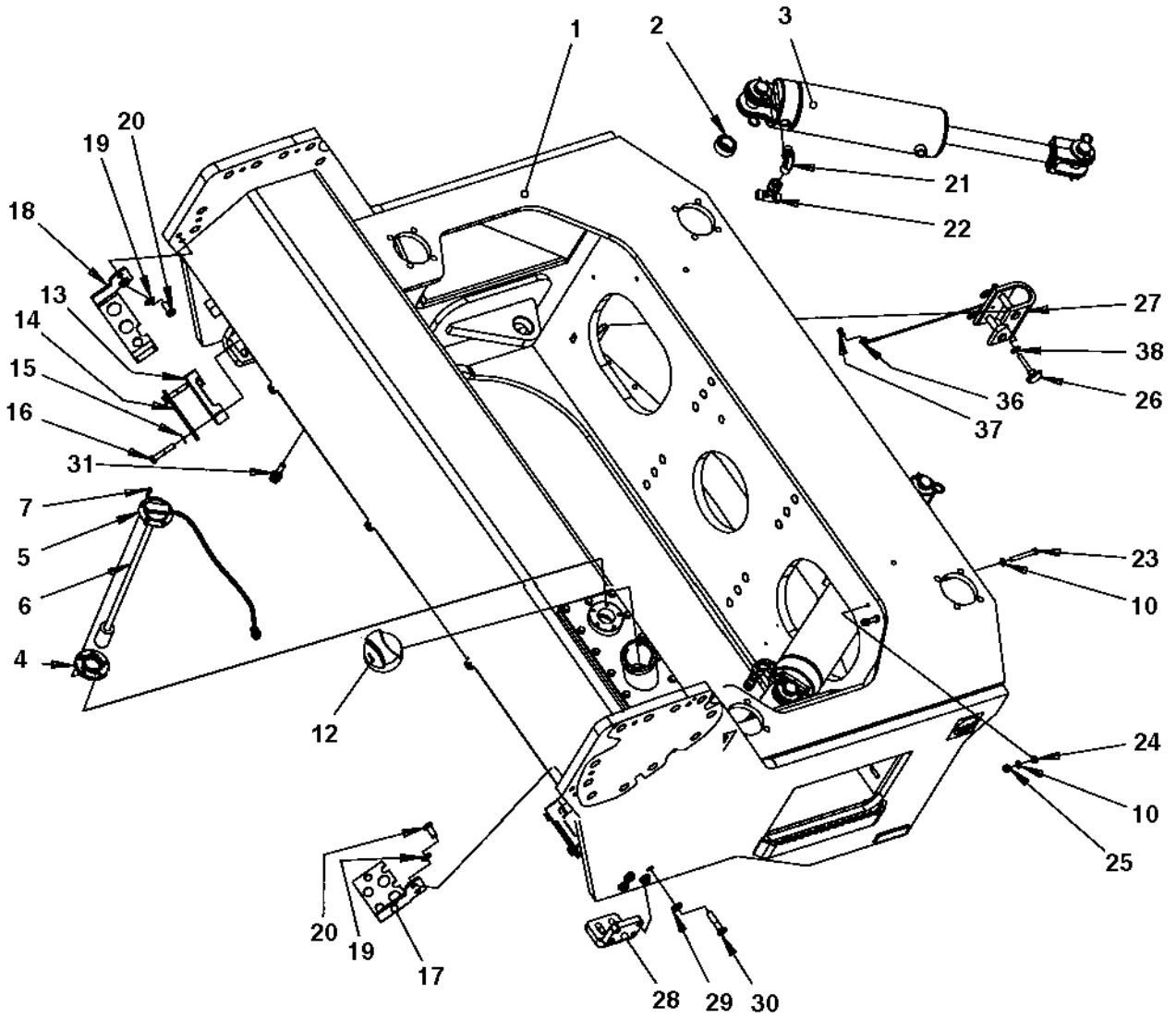
Front frame

Ref. No.	Part No.	Rem.	Qty	Description	Code
1			1	Front frame (Page 26)	
2			1	Tank structure module (Page 30)	
3			1	Hitch module (Page 36)	
5		1	2	Filling pipe module (Page 40)	
6			1	Cover module (Page 44)	
7			1	Holder (Page 46)	
8			1	Cover lock module (Page 90)	
9			2	Grab handle module (Page 48)	

- 1) Two pieces when use of tank with dual filling holes.

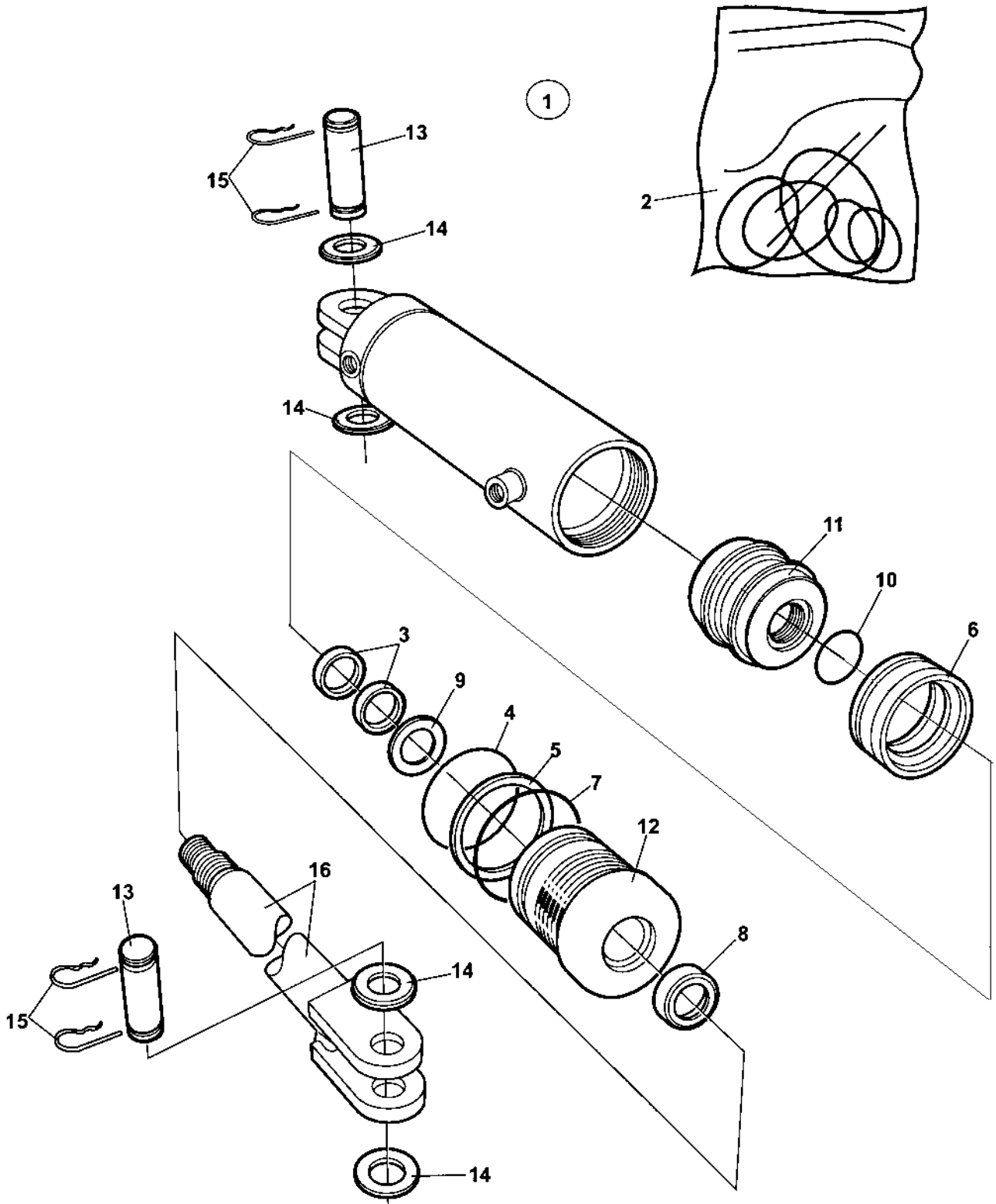
Front frame

395129



Front frame

Ref. No.	Part No.	Rem.	Qty	Description	Code
1	395128		1	Front frame	
2	792554		2	Radial spherical plain bearing	D
3	391023		2	Steering cylinder (Page 28)	
4	370745		1	Flange, cpl	
5	372718		1	Lid	
6	390934		1	Level sender	
7	904206		5	Screw	
12	373304		1	Cap	D
	902866		1	.Key	Marked "455"
13	343872		2	Hose clamp	D
14	335914		2	Cover plate	
15	904230		4	Washer	
16	500032		4	Screw	M10 x 55
17	391442		1	Hose clamp	
18	391443		1	Hose clamp	
19	904231		4	Washer	
20	500051		4	Screw	
21	792151		2	Elbow adapter 90	
22	791797		2	Tee-connector orfs	
23	925750		2	Screw	
24	570005		2	Nut	
25	586003		2	Lock nut	
26	791314		2	Handle knob	
27	392701		2	Steering hitch lock	
	924999		2	.Clevis pin	
	901178		2	.Hair pin	
	928381		1	.Washer	6,4x18x1,6
	394715		1	.Wire	
	903795		1	.Screw	
28	394400		2	Bracket	
29	904703		8	Washer	
30	500195		8	Screw	
31	792605		2	Quick connect coupling	
36	928381		2	Washer	6,4x18x1,6
37	903795		2	Screw	
38	904640		2	Washer	

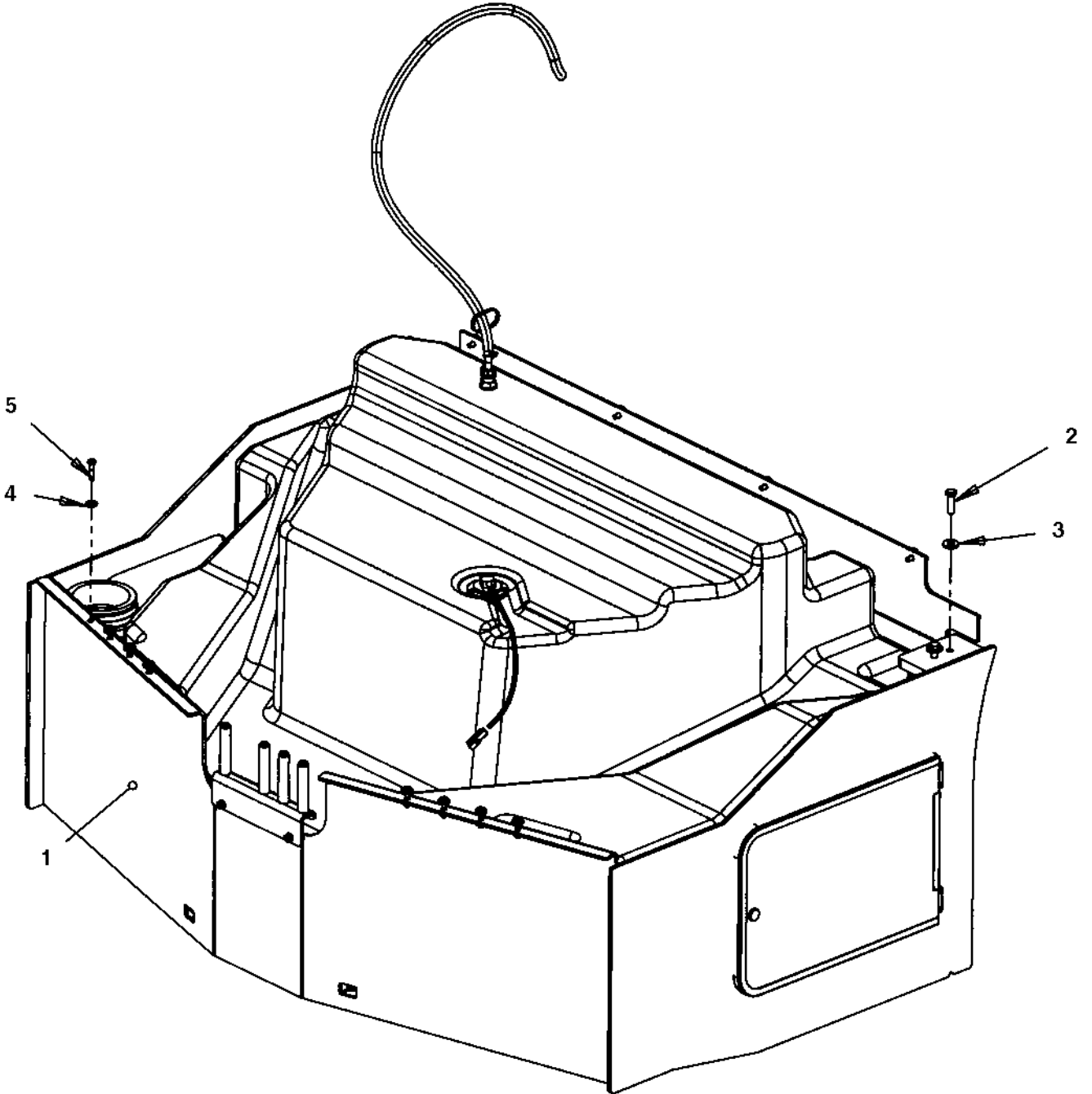


391023 Steering cylinder

Ref. No.	Part No.	Rem.	Qty	Description	Code
1	391023		1	Steering cylinder (Page 28)	
2	950417		1	.Seal kit	
3			2	..Seal	
4			1	..O-ring	
5			1	..Back-up ring	
6			1	..Seal	
7			1	..O-ring	
8			1	..Seal	
9			1	..Seal	
10			1	..O-ring	
11			1	.Piston block	
12			1	.Steering	
13	950222		2	.Shaft	
14			4	.Washer	
15	635061		4	.Hair clip	D
16			1	.Piston rod	D
17			1	.Cylinder	D

Tank structure module

394520

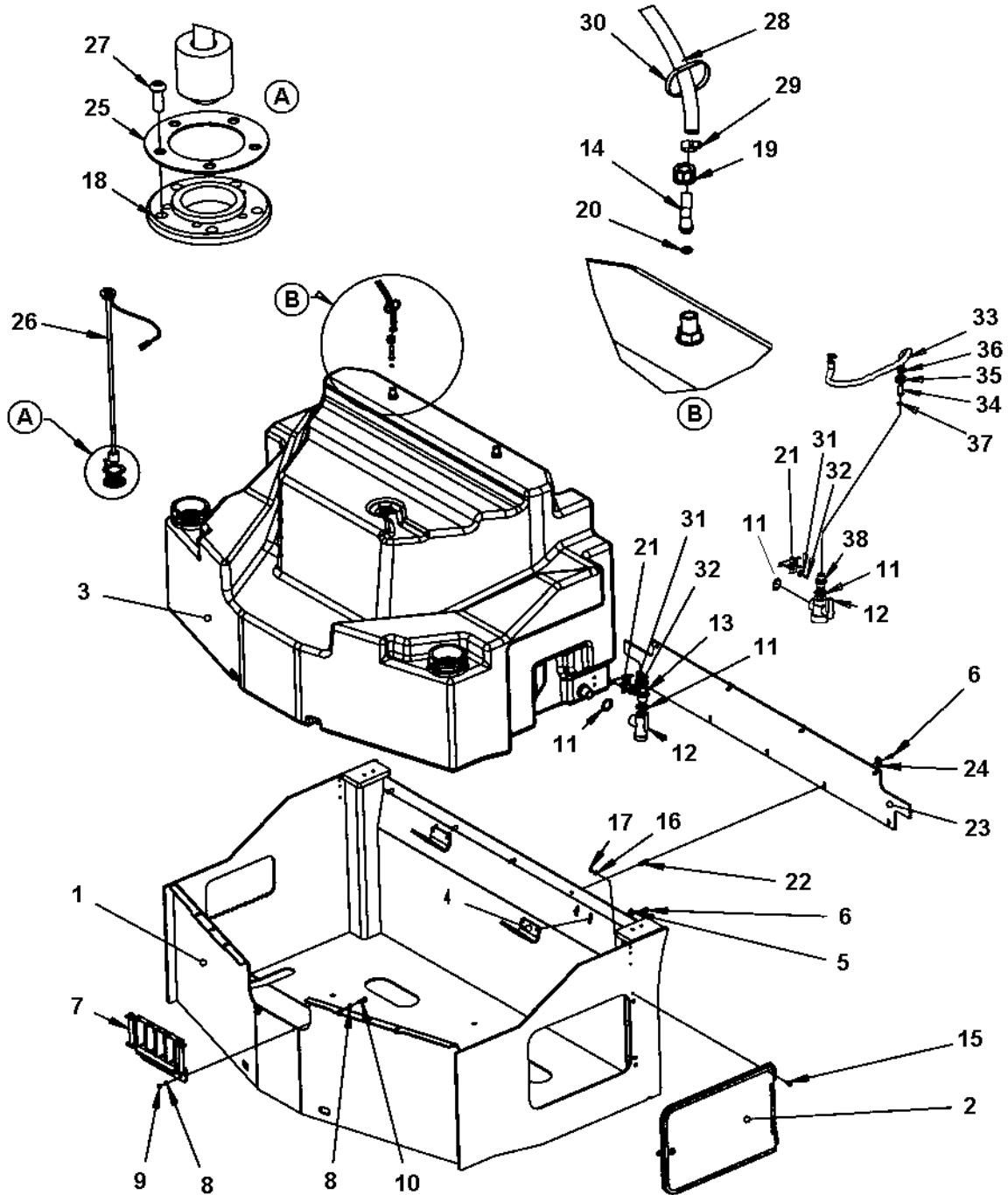


Tank structure module

Ref. No.	Part No.	Rem.	Qty	Description	Code
1			1	Tank structure module (Page 32)	
2	500194		4	Screw	
3	904213		4	Washer	
4	904213		6	Washer	
5	500194		6	Screw	

Tank structure module

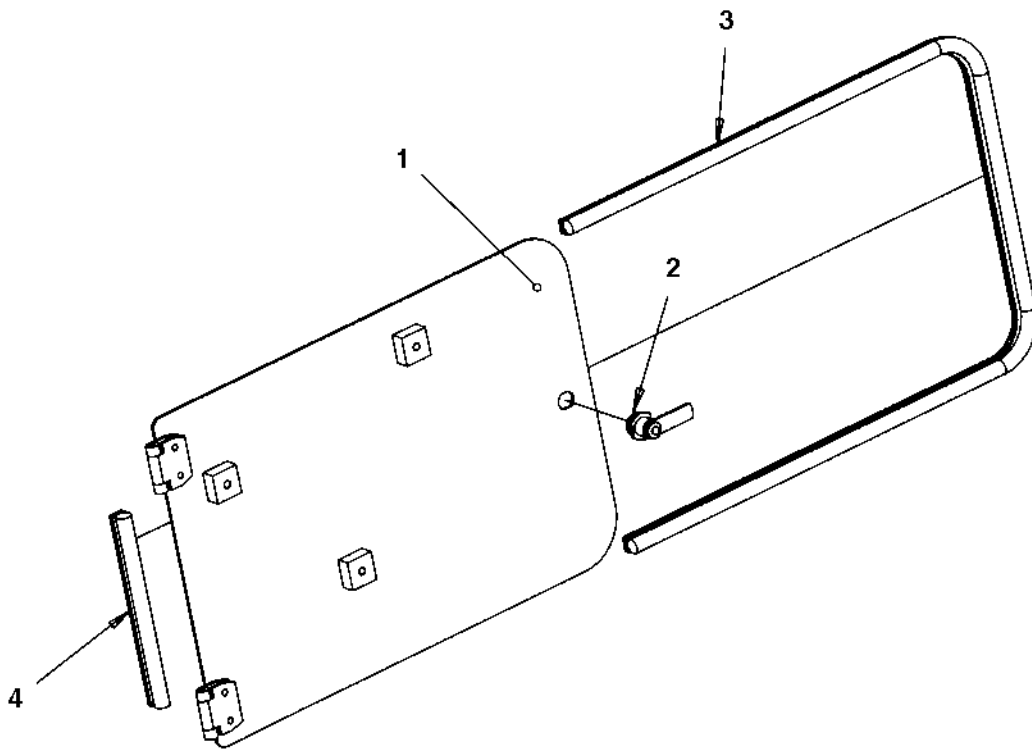
394521B



Tank structure module

Ref. No.	Part No.	Rem.	Qty	Description	Code
1	395131		1	Tank structure	
2	391307		1	Cover (Page 34)	
3	396496	1	1	Sprinkling tank	
4	391624		2	Bracket	
5	904640		4	Washer	
6	500053		13	Screw	
7	394022		1	Hose support	
8	904229		4	Washer	
9	570005		2	Nut	
10	500022		2	Screw	
11	392223		2	Plane gasket	
12	792782		1	Ball valve	
14	393542		2	Hose connection swivel	
15	928784		4	Screw	
16	603001		4	Washer	
17	586002		4	Lock nut	
18	370745		1	Flange, cpl	
19	392227		2	Swivel nut	
20	792600		2	O-ring	
21	396739		1	Bracket	
22	900672		5	Blind insert nut	
23	393412		1	Rubber cloth	
24	615050		9	Washer	
25	372718		1	Lid	
26	391353		1	Level sender	
27	904206		5	Screw	
28	904878	A	1XL	Hose reinforced	
29	313001		2	Hose clamp	
30	313102		N	Cable ties	
31	904228		2	Washer	
32	500012		2	Screw	
33	792073	B	1XL	Hose reinforced	D
34	792780		1	Hose connection swivel	
35	792779		1	Swivel nut	
36	313003		2	Hose clamp	D
37	480852		1	O-ring 70	
38	792781		1	Reducer nipple	

- 1) Tank with two filling holes.
- A) Length as required
- B) L= 0.7 m

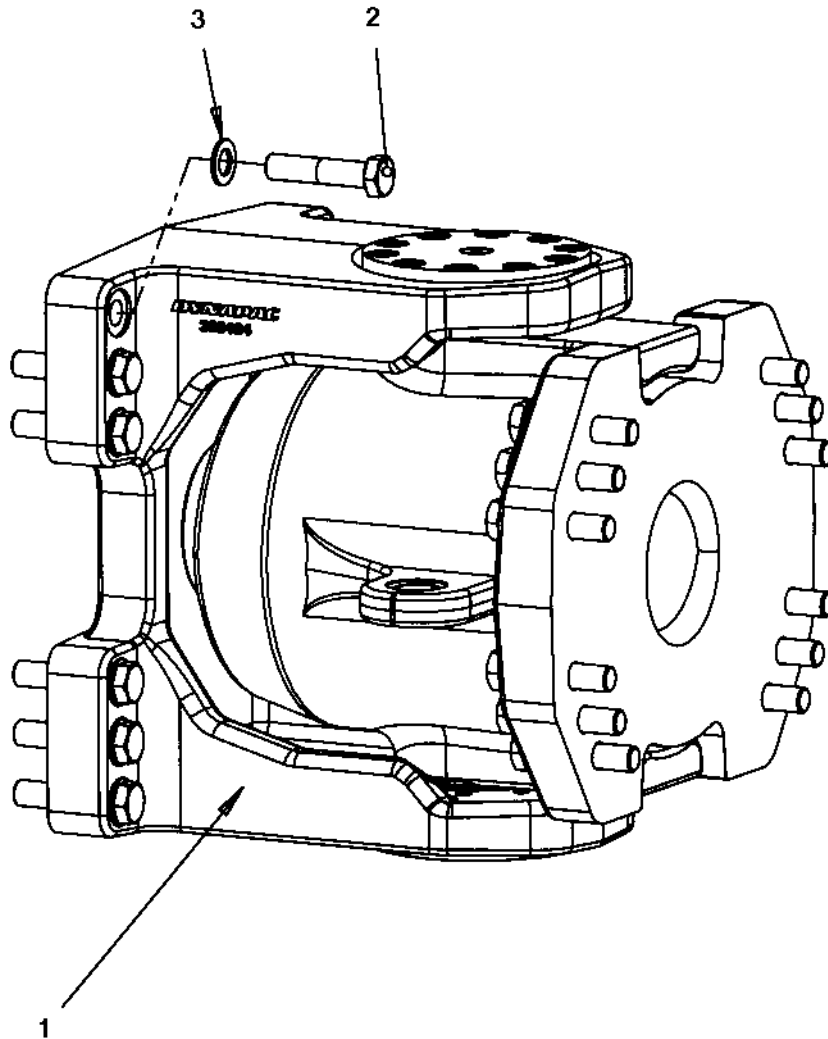


391307 Cover

Ref. No.	Part No.	Rem.	Qty	Description	Code
1	391308		1	Cover	
2	383626		1	Lock	
	902866		1	.Key	Marked "455" D
3	202057	A	1XL	Edge trim	D
4	202057	B	1XL	Edge trim	D
A)	L=1.33 m				
B)	L=0.21 m				

Hitch module

391615

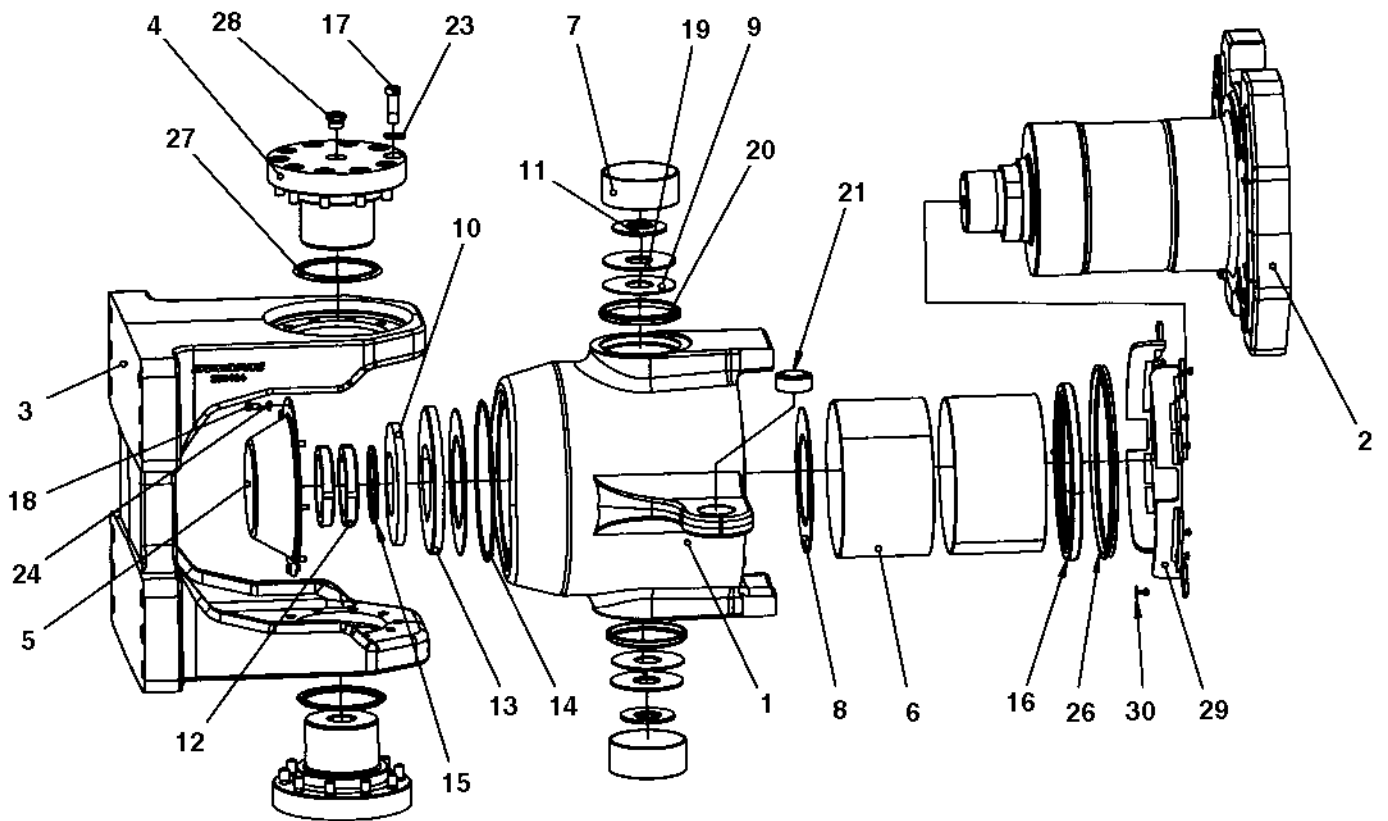


Hitch module

Ref. No.	Part No.	Rem.	Qty	Description	Code
1			1	Hitch link (Page 38)	
2	500287		24	Screw	
3	904233		24	Washer	

Hitch link

390532

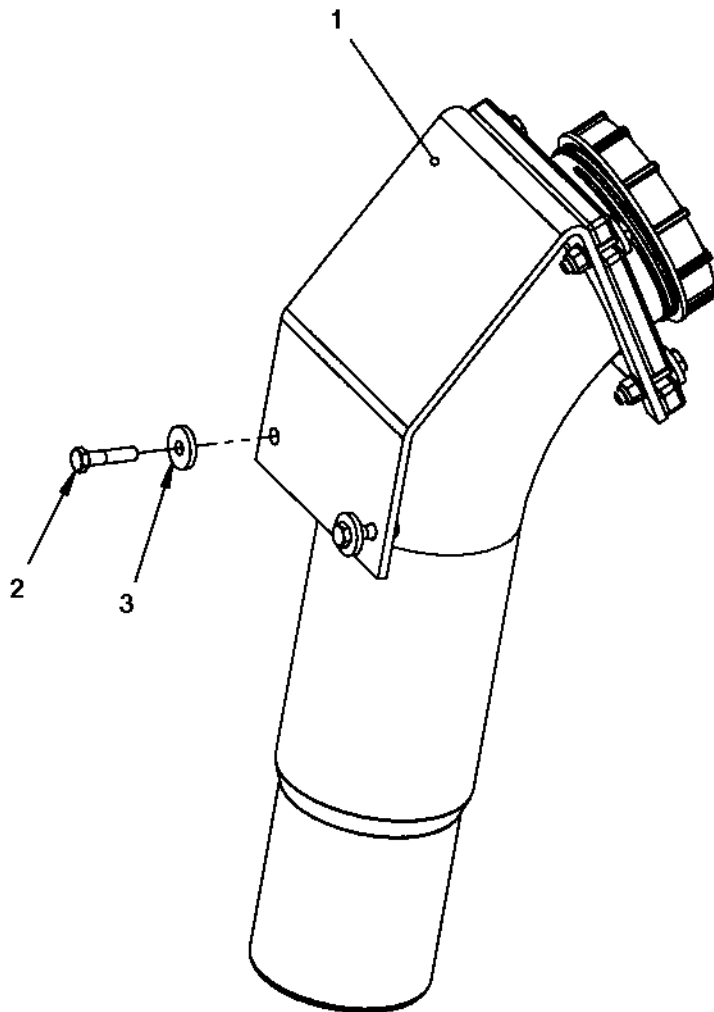


Hitch link

Ref. No.	Part No.	Rem.	Qty	Description	Code
1	390533		1	Hitch yoke	
2	390534		1	Shaft	
3	393464		1	Hitch holder	
4	393465		2	Shaft	
5	392550		1	Cover	
6	390538		2	Sleeve bearing	
7	390539		2	Sleeve bearing	
8	393523		2	Slide washer	
9	390541		2	Slide washer	
10	390542		1	Disc spring	
11	390543		2	Disc spring	
12	135015		2	Shaft nut	
13	393115		1	Thrust washer	
14	160277		1	O-ring	
15	393218		1	Back-up ring	
16	391031		1	Radial lip-type seal	
17	792394		20	Screw	
18	500012		8	Screw	
19	391566		2	Washer	
20	792517		2	Shear wiper	
21	792554		2	Radial spherical plain bearing	D
23	904231		20	Washer	
24	904228		8	Washer	
26	792515		1	Sealing, v-ring	
27	792518		2	Radial lip-type seal	
28	792295		2	Steel plug	
29	394207		2	Flush cover	
30	792325		12	Blind rivet	

Filling pipe module

391627

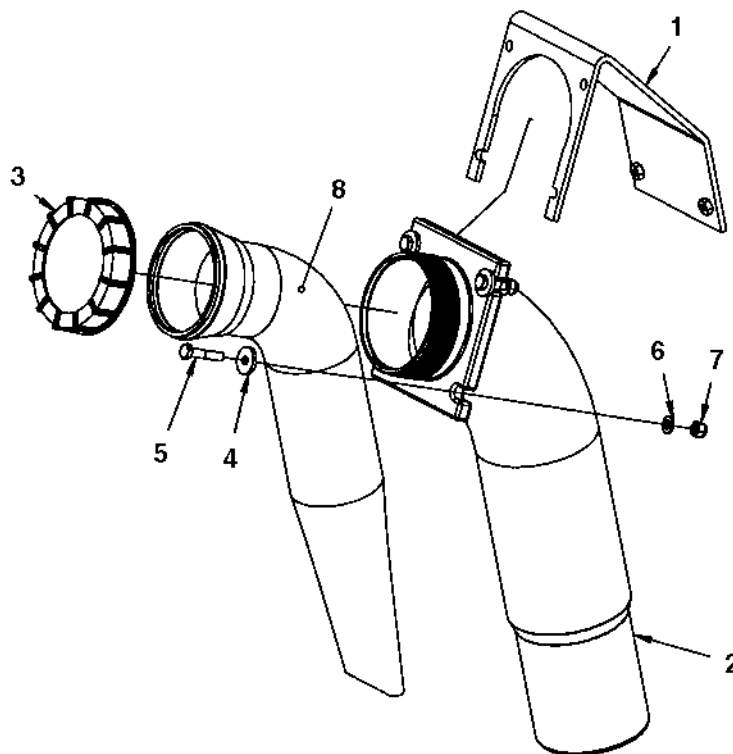


Filling pipe module

Ref. No.	Part No.	Rem.	Qty	Description	Code
1			1	Filling pipe (Page 42)	
2	500047		2	Screw	
3	904734		2	Washer	

Filling pipe

392098A

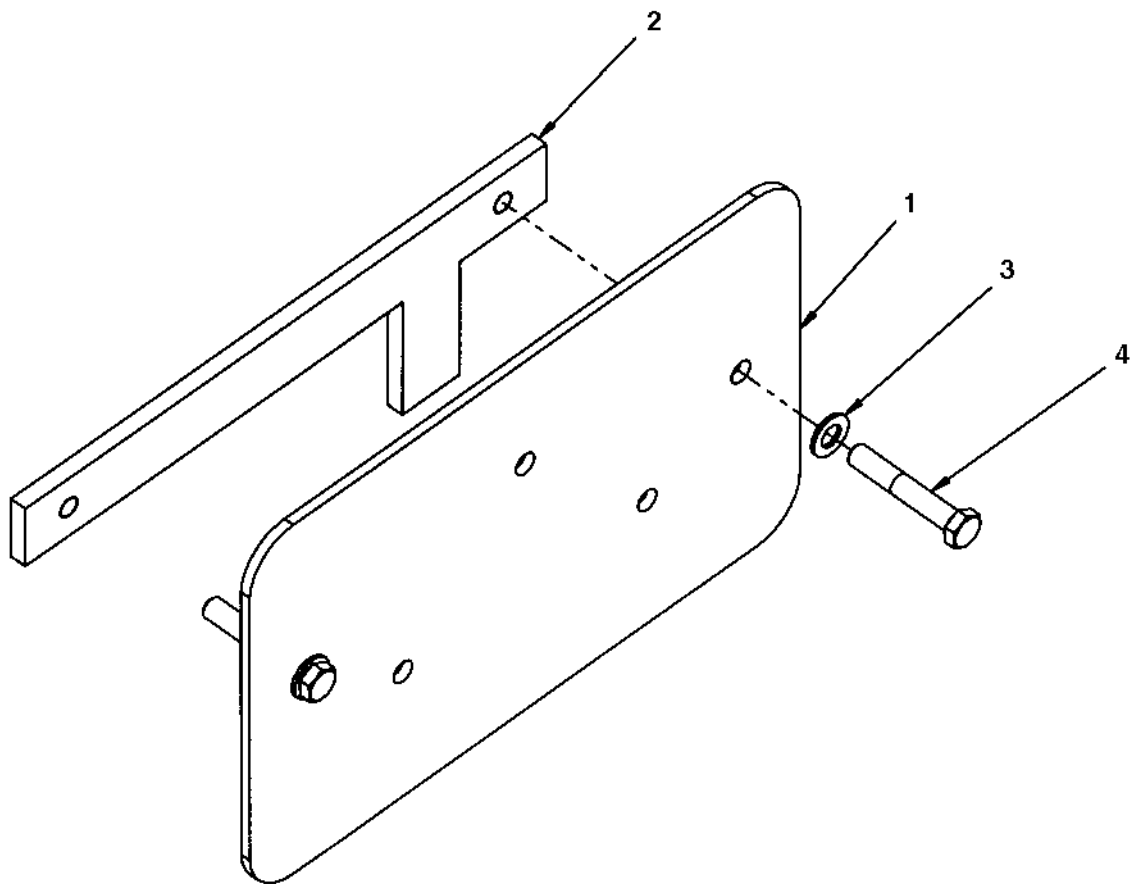


Filling pipe

Ref. No.	Part No.	Rem.	Qty	Description	Code
1	391626		1	Bracket	
2	390613		1	Filling pipe	
3	920819		1	Filler cap	D
4	904734		4	Washer	
5	500023		4	Screw	M8-1,25x40 8,8
6	904229		4	Washer	
7	586003		4	Lock nut	
8	391444		1	Strainer	

Cover module

391646

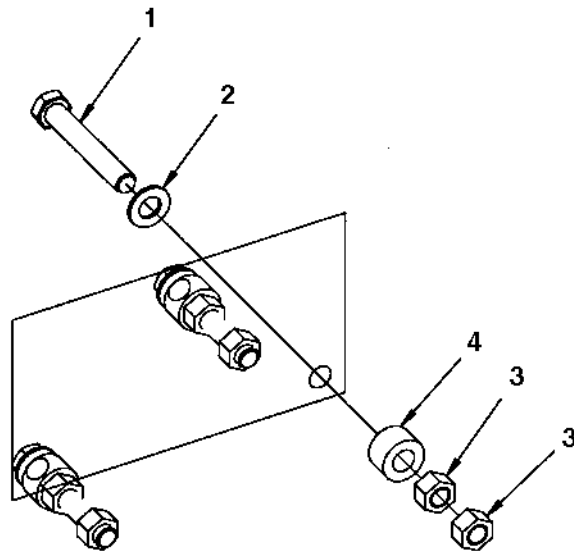


Cover module

Ref. No.	Part No.	Rem. Qty	Description	Code
1	391647	1	Cover	
2	391648	1	Bracket	
3	904231	2	Washer	
4	500133	2	Screw	

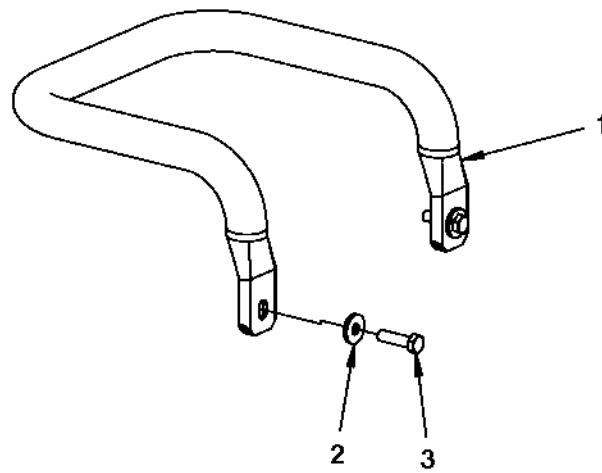
Holder

391649



Holder

Ref. No.	Part No.	Rem.	Qty	Description	Code
1	903898		3	Screw	
2	904231		3	Washer	
3	570007		6	Hexagon nut	M12
4	791572		3	Spacer washer	

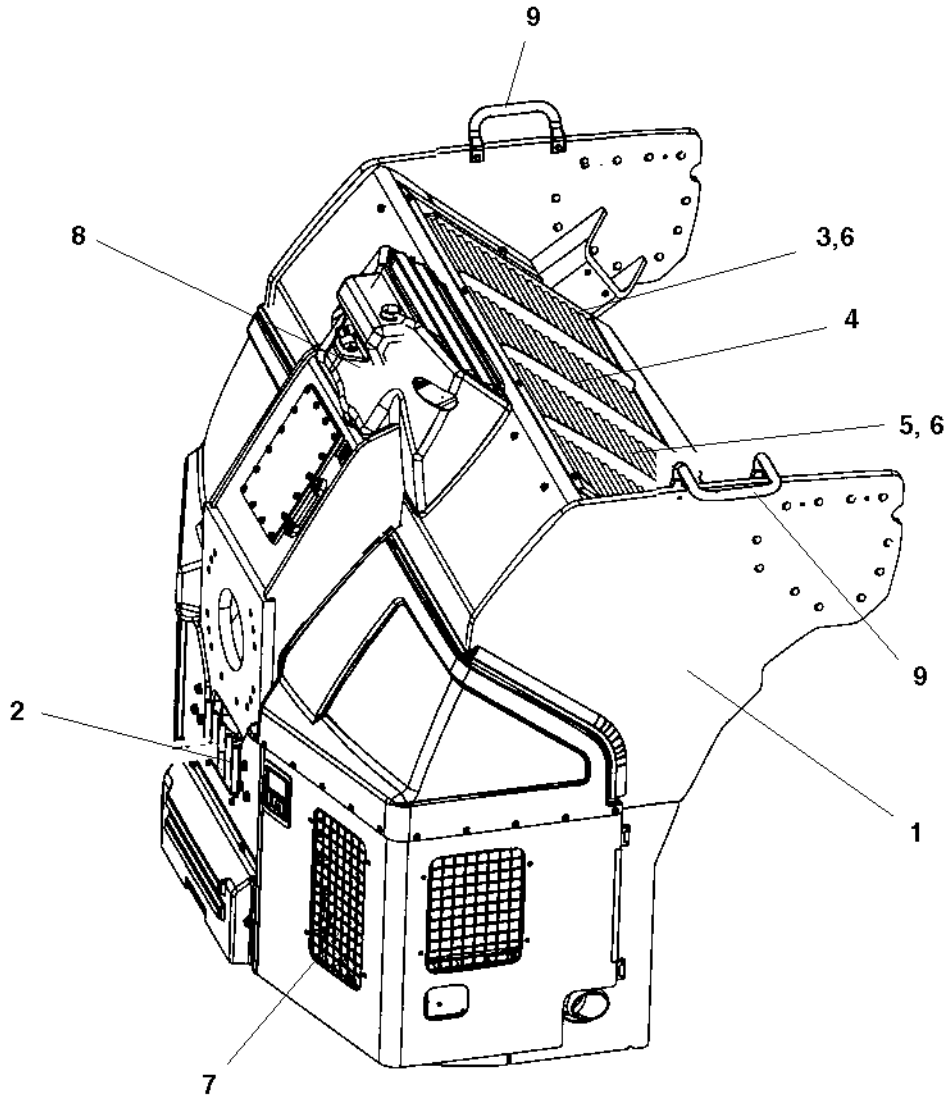


Grab handle module

Ref. No.	Part No.	Rem. Qty	Description	Code
1	394911	1	Grab handle	
2	904640	2	Washer	
3	500022	2	Screw	

Rear frame

AR0030

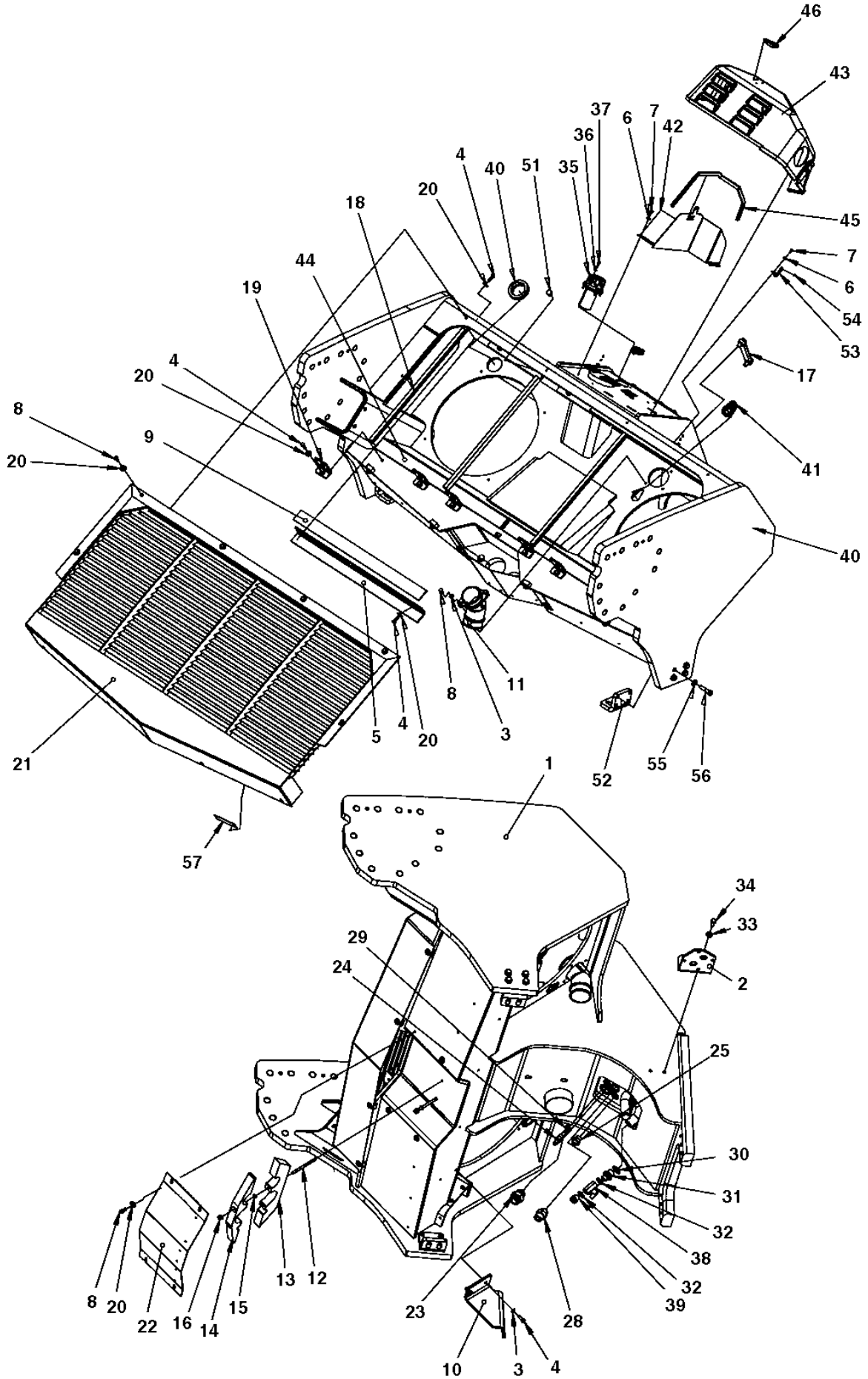


Rear frame

Ref. No.	Part No.	Rem.	Qty	Description	Code
1			1	Rear frame (Page 52)	
2			1	Engine structure, module (Page 56)	
3			1	Water cooler (Page 206)	
4			1	Charge air cooler (Page 204)	
5			1	Oil cooler (Page 64)	
6			2	Fan (Page 68)	
7			1	Noise suppression plates (Page 72)	
			1	Noise suppression, covers (Page 74)	
8			1	Expansion tank assembly (Page 210)	
9			2	Grab handle module (Page 48)	
		A	2	Grab handle module (Page 76)	
A)	Offset drum				

Rear frame

394528



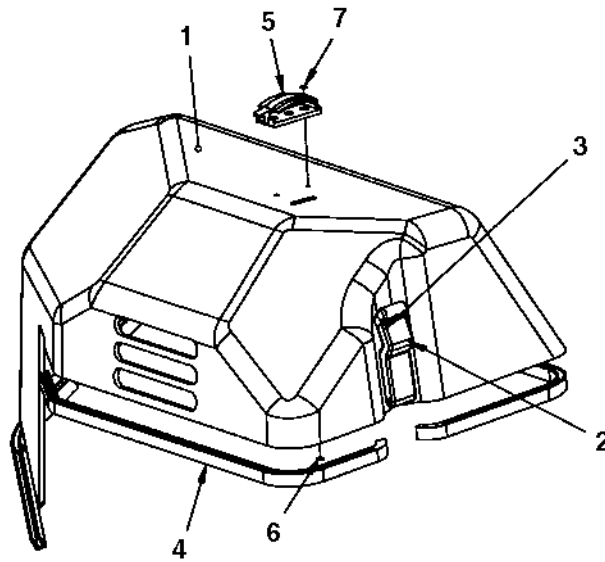
Rear frame

Ref. No.	Part No.	Rem.	Qty	Description	Code
1	394529		1	Rear frame	
2	392288		1	Bracket	
3	904229		4	Washer	
4	500021		16	Screw	
5	390780		2	Bracket	
6	603001		8	Washer	
7	500059		8	Screw	
8	500053		16	Screw	
9	391298		4	Rubber cloth	
10	391300		1	Bracket	
11	394000		1	Bulkhead elbow	
12	792326		2	Stud	
13	391375		1	Hose support	
14	391376		1	Hose support	
15	904044		2	Washer	
16	902286		2	Lock nut	
17	792492		1	Level gauge	D
18	391299	A	1XL	Rubber strip	
19	391296		6	Bracket	
20	904640		28	Washer	
21	390640		1	Cover	
22	391434		1	Cover	
23	792338		1	Straight connector	
24	792276		1	Temperature sensor	D
25	791405		1	Straight o-ring connector	
28	904728		1	Adapter	
29	162015		1	Seal ring	D
30	791120		1	Sealing washer	
31	792421		1	Straight connector	
32	162006		2	Seal ring	
33	904230		2	Washer	
34	500028		2	Screw	
35	391026		1	Ventilating filter	A
36	904281		6	Washer	
37	508020		6	Screw	
38	925599		1	Valve	
39	232056		1	Plug	
40	393001		2	Grommet	
41	393149		2	Grommet	
42	393281		1	Bracket	
43			1	Cover, cpl (Page 54)	
44	394459		2	Rubber cloth	
45	202028	B	N	Edge trim	
46	358881		1	Pad lock	
51	792607		6	Shock absorber	
52	394400		2	Bracket	
53	394297		1	Bracket	
54	624021		4	Pop rivet	
55	904703		8	Washer	
56	500195		8	Screw	
57	394513		1	Rubber cloth	

A) L= 2,34 m
B) L= 0,6 m

Cover, cpl

394298

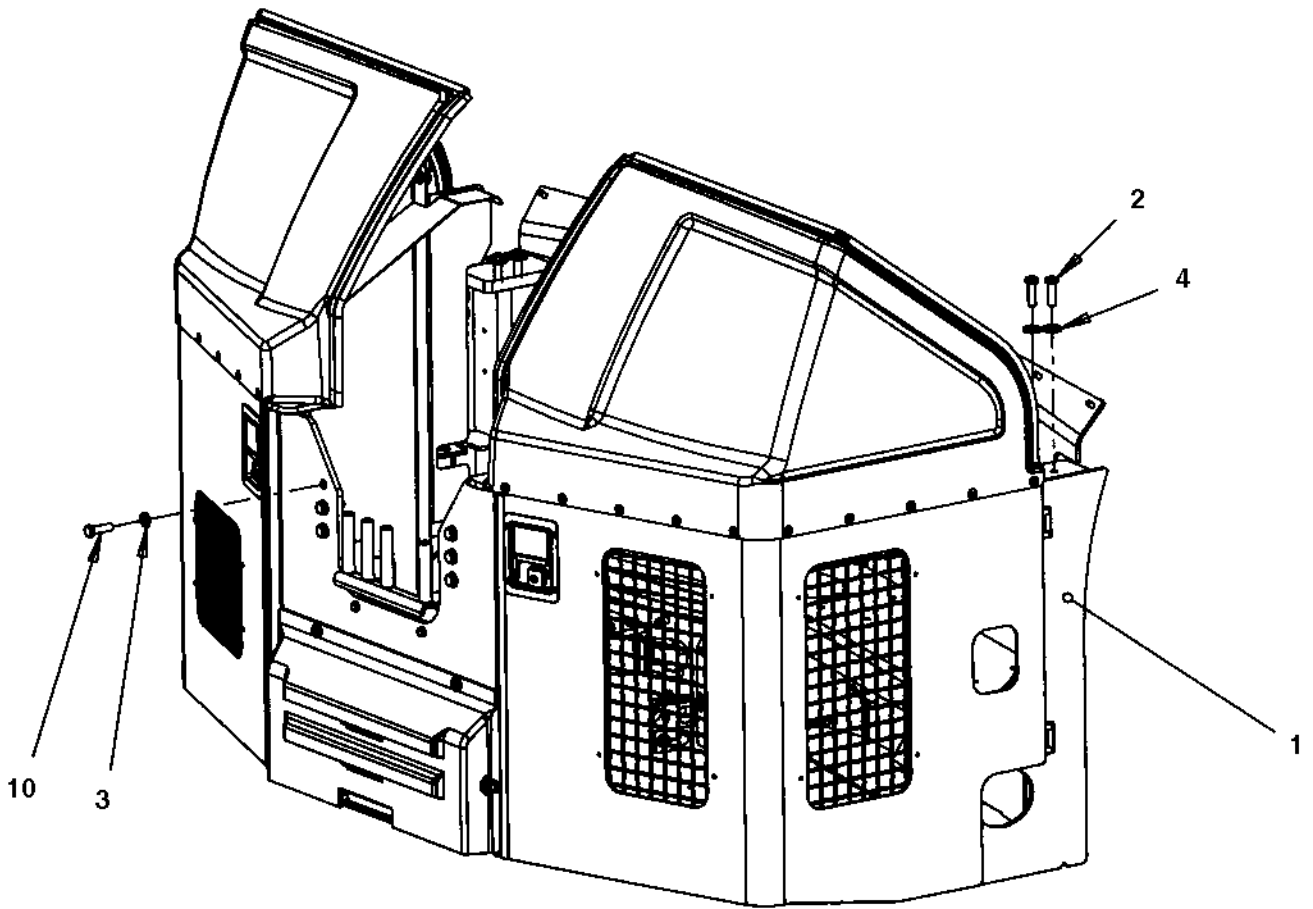


Cover, cpl

Ref. No.	Part No.	Rem.	Qty	Description	Code
1	391750		1	Cover	
2	388846		2	Latch	
3	624021		4	Pop rivet	
4	902166	A	1XL	Edge trim	
5	394536		1	Wiring clip	
6	904697		2	Washer	3,2x6x0,5
7	624018		2	Rivet	
A)	L=1.69 m				

Engine structure, module

394519

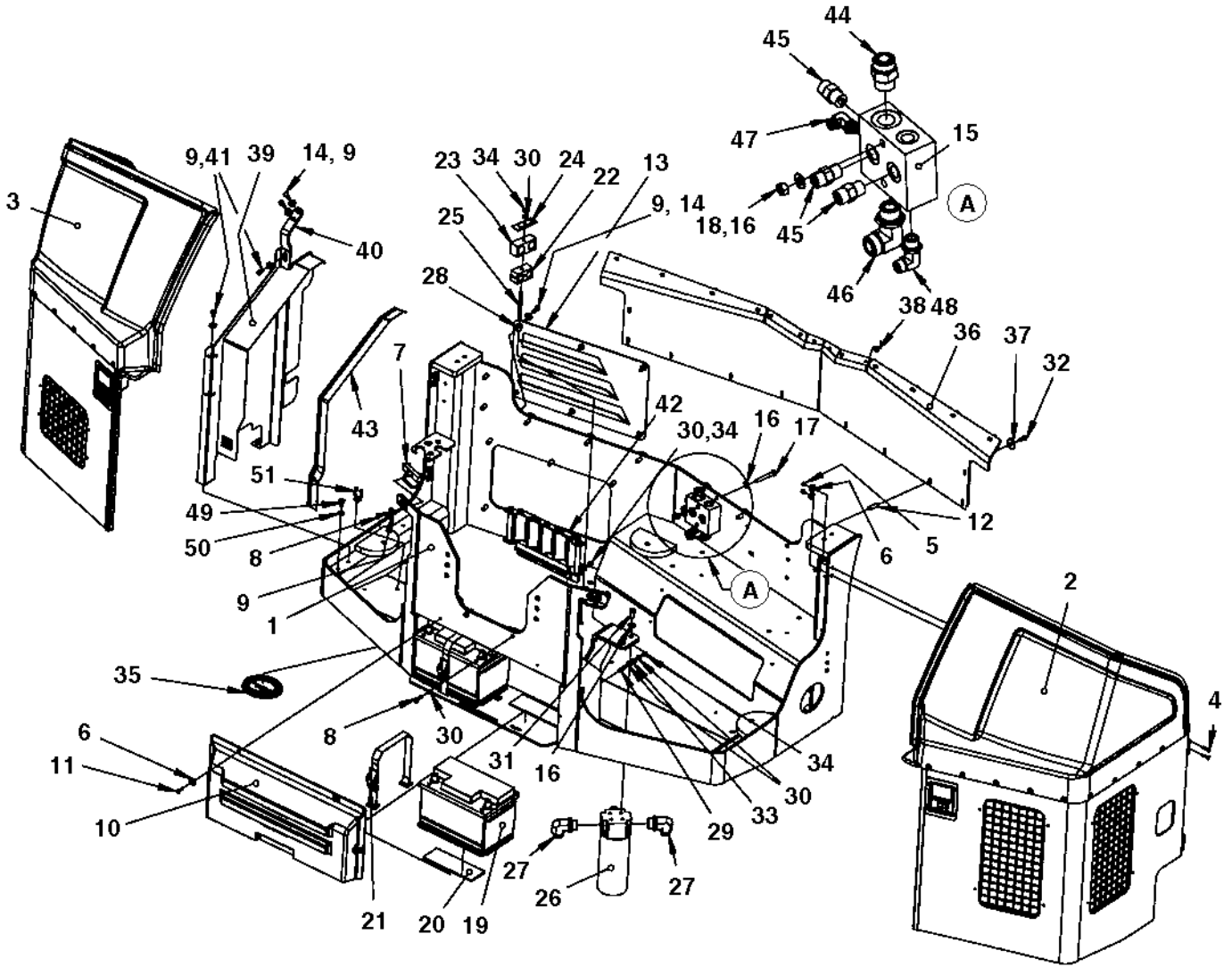


Engine structure, module

Ref. No.	Part No.	Rem.	Qty	Description	Code
1			1	Engine structure (Page 58)	
2	500194		4	Screw	
3	904231		6	Washer	
4	904213		4	Washer	
10	500195		6	Screw	

Engine structure

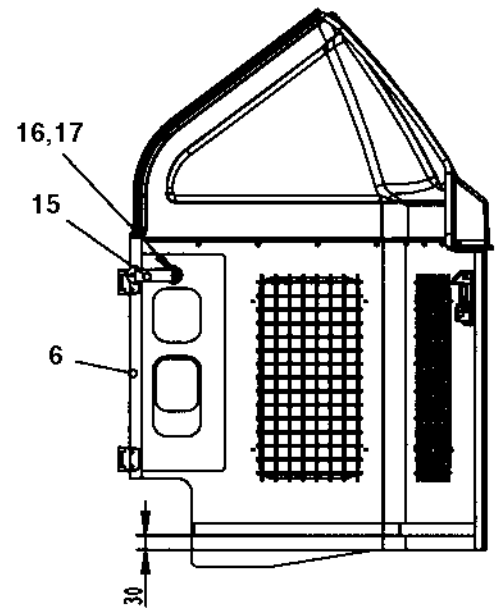
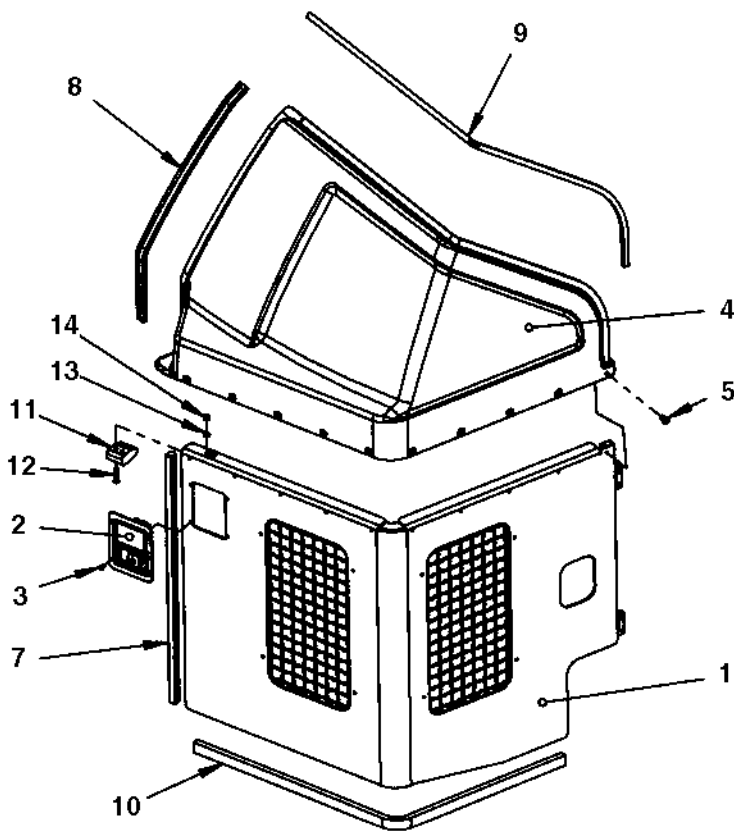
394533



Engine structure

Ref. No.	Part No.	Rem.	Qty	Description	Code
1	394514		1	Engine structure	
2	390157		1	Engine cover (Page 60)	
3	390158		1	Engine cover (Page 62)	
4	928784		8	Screw	
5	586002		8	Lock nut	
6	904735		12	Washer	
7	378310		2	Lock bracket	
8	500022		6	Screw	
9	904640		15	Washer	
10	390884		1	Cover	
11	500040		4	Screw	
12	900672		16	Blind insert nut	
13	392799		1	Grid	
14	500021		8	Screw	
15	391157		1	Connection block	
16	904230		6	Washer	
17	500092		2	Screw	
18	570006		2	Nut	
19	792311		2	Battery	
20	357459		4	Rubber cloth	
21	391441		2	Strap	
22	903456		1	Pipe clamp	
23	791711		1	Pipe clamp	
24	791712		1	Cover plate	
25	791861		1	Stud	
26	391025		1	Hydraulic oil filter	
	391433		1	.Filter element	A
27	791844		2	Elbow adapter 90	
28	791569		1	Blind insert nut	
29	903768		3	Threaded stud	
30	904229		11	Washer	
31	500028		2	Screw	
32	500053		18	Screw	
33	570005		3	Nut	
34	586003		6	Lock nut	
35	379992		1	Plug	
36	379974		1	Rubber cloth	
37	615050		18	Washer	
38	792325		6	Blind rivet	
39	391769		1	Belt guard	
40	391768		1	Bracket	
41	500019		3	Screw	
42	394022		1	Hose support	
43	792258	A	1XL	Edge trim	
44	791823		1	Straight connector orfs	
45	791799		3	Straight connector orfs	
46	791231		1	Elbow 90	D
47	792334		1	Elbow 90 orfs	
48	791840		1	Elbow adapter 90, O-ring with swivel	
49	500043		1	Screw	
50	904637		1	Washer	
51	394701		N	Wiring clip	

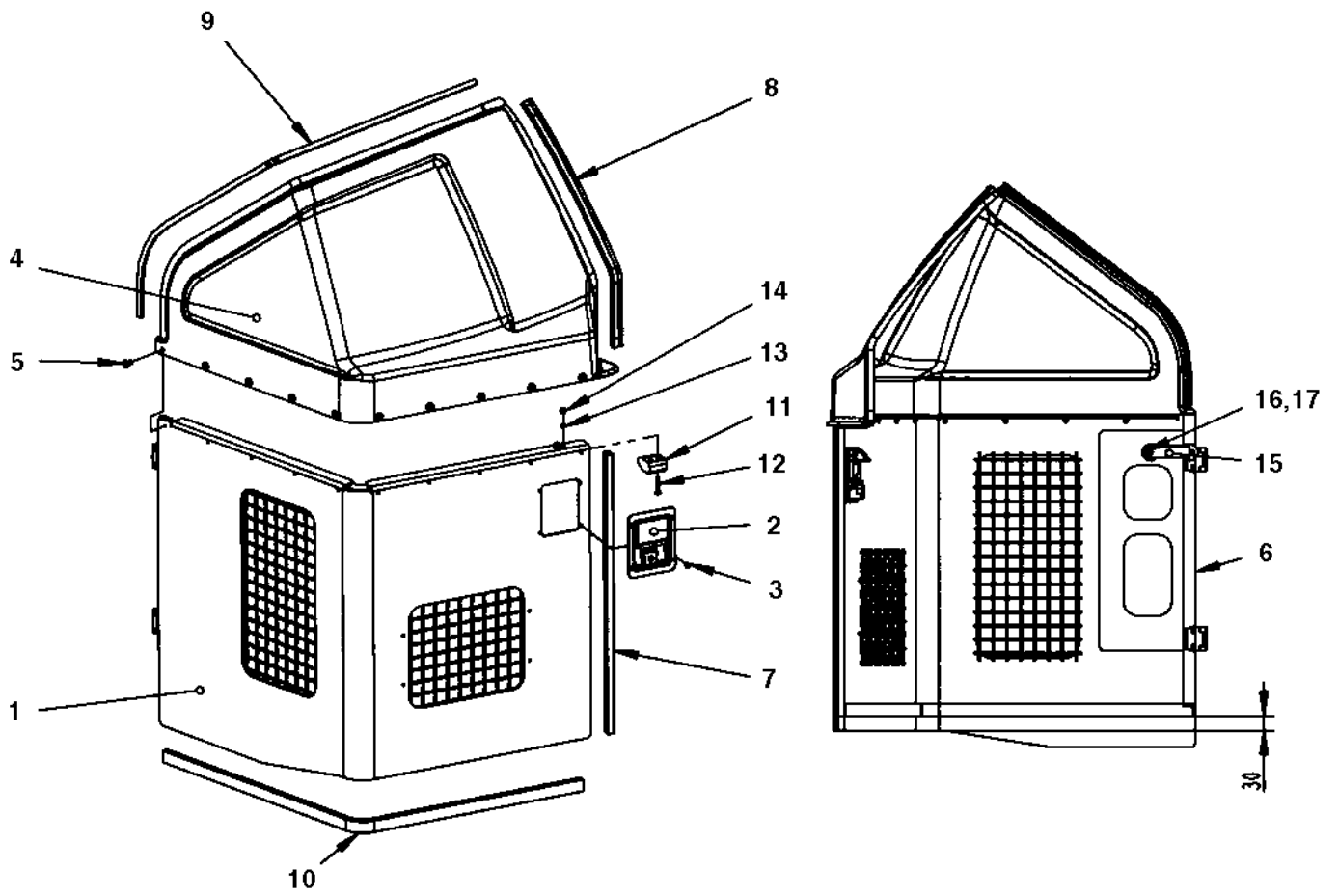
A) L=0.87 m



390157 Engine cover

Ref. No.	Part No.	Rem.	Qty	Description	Code
1	390166		1	Cover	
2	378309		1	Lock	
	902866		1	.Key	Marked "455" D
3	792669		4	Blind rivet	
4	379976		1	Cover	
5	792325		10	Blind rivet	
6	792718	A	1XL	Rubber strip	
7	202057	B	1XL	Edge trim	D
8	902166	C	1XL	Edge trim	
9	903953	D	1XL	Edge trim	
10	792718	E	1XL	Rubber strip	
11	390365		1	Spacer	
12	924875		2	Screw	
13	904228		2	Washer	
14	586002		2	Lock nut	
15	390545		1	Strap	
16	904735		1	Washer	
17	500059		1	Screw	

- A) L=0.5m
- B) L=0.625m
- C) L=0.6m
- D) L=1.2m
- E) L=1.3m



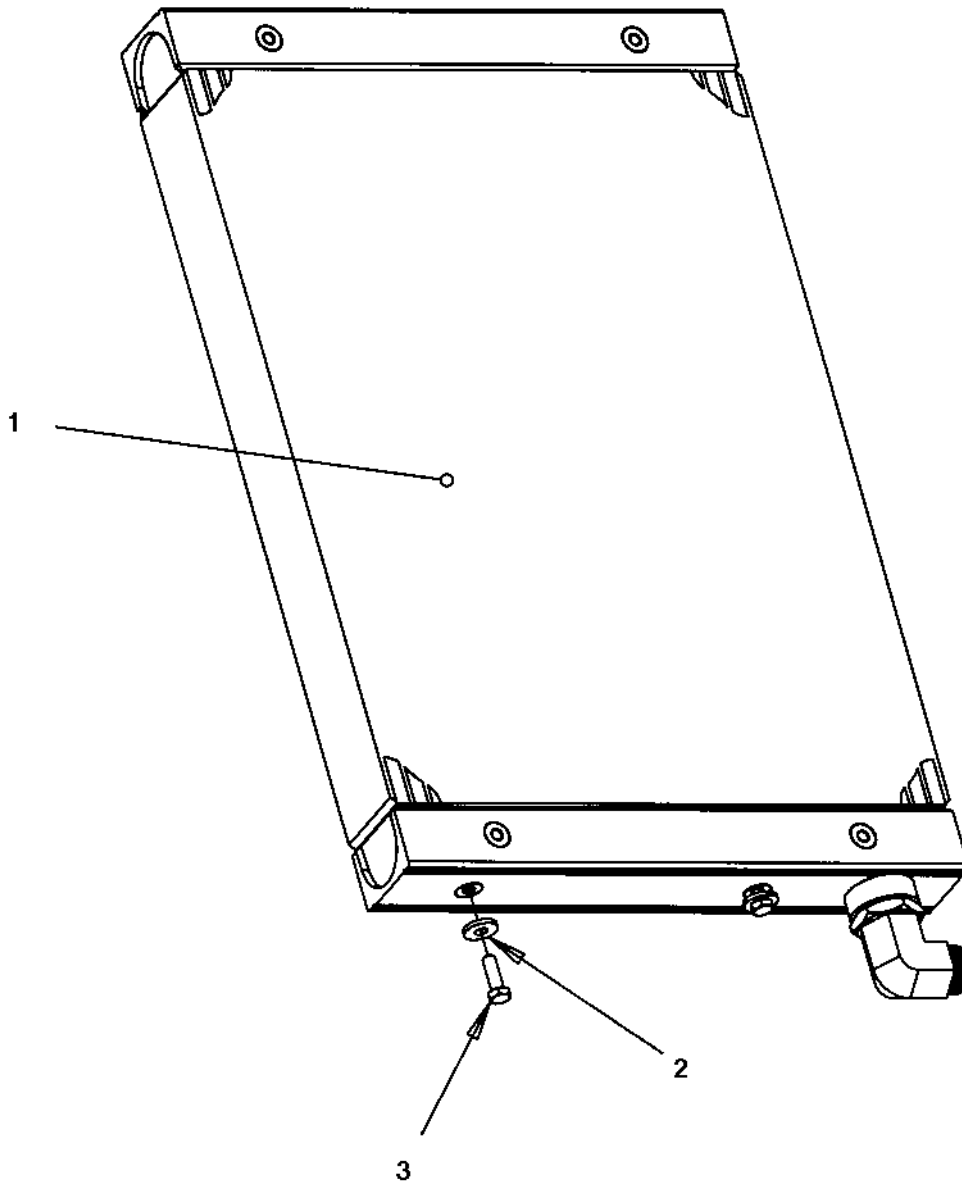
390158 Engine cover

Ref. No.	Part No.	Rem.	Qty	Description	Code
1	390167		1	Cover	
2	378309		1	Lock	
	902866		1	.Key	Marked "455" D
3	792669		4	Blind rivet	
4	379977		1	Cover	
5	792325		10	Blind rivet	
6	792718	A	1XL	Rubber strip	
7	202057	B	1XL	Edge trim	D
8	902166	C	1XL	Edge trim	
9	903953	D	1XL	Edge trim	
10	792718	E	1XL	Rubber strip	
11	390365		1	Spacer	
12	924875		2	Screw	
13	904228		2	Washer	
14	586002		2	Lock nut	
15	390545		1	Strap	
16	904735		1	Washer	
17	500059		1	Screw	

- A) L=0.6m
- B) L=0.625m
- C) L=0.6m
- D) L=1.2m
- E) L=1.45m

Oil cooler

391587

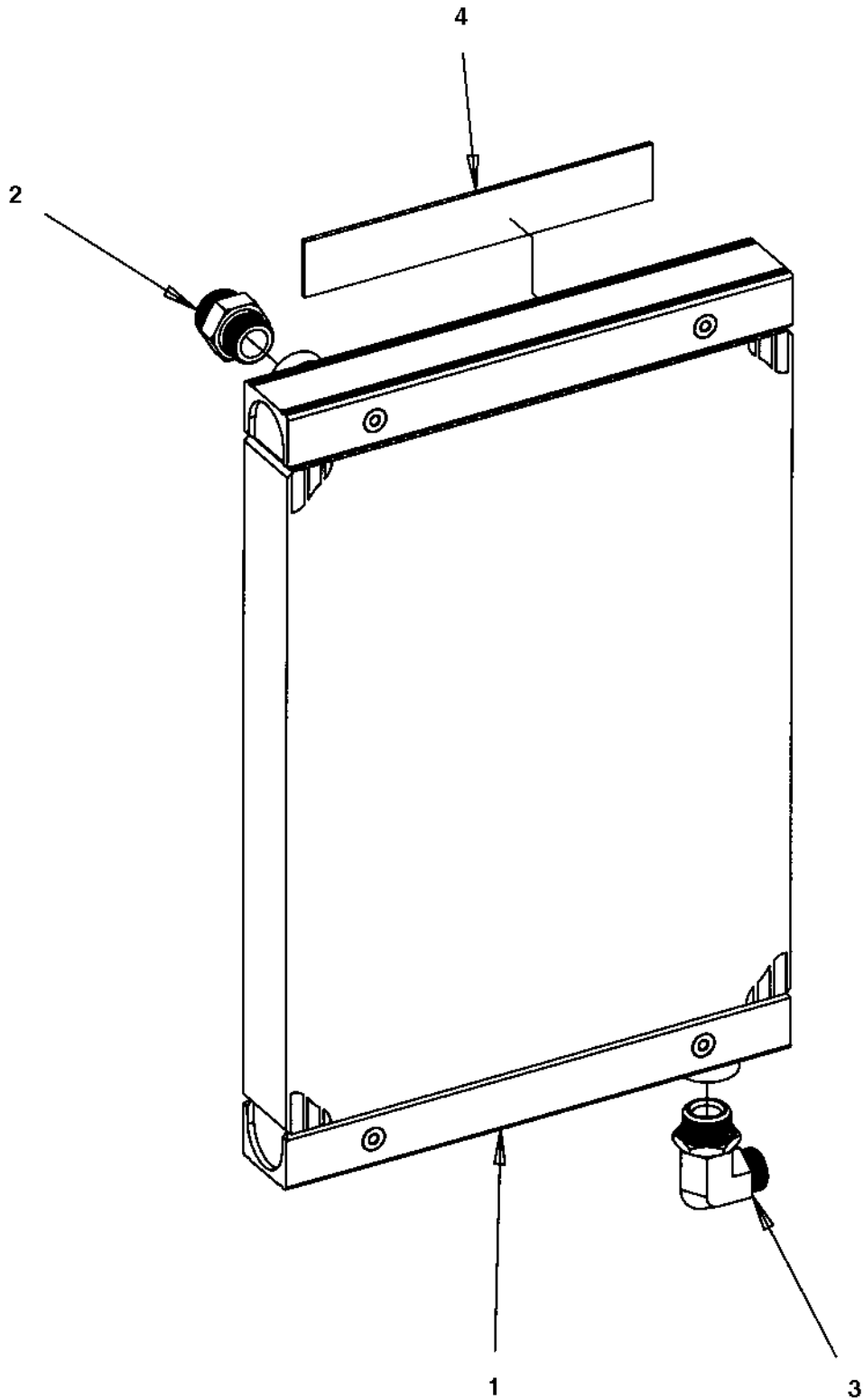


Oil cooler

Ref. No.	Part No.	Rem.	Qty	Description	Code
1			1	Oil cooler (Page 66)	
2	904640		2	Washer	
3	500021		2	Screw	

Oil cooler

391947

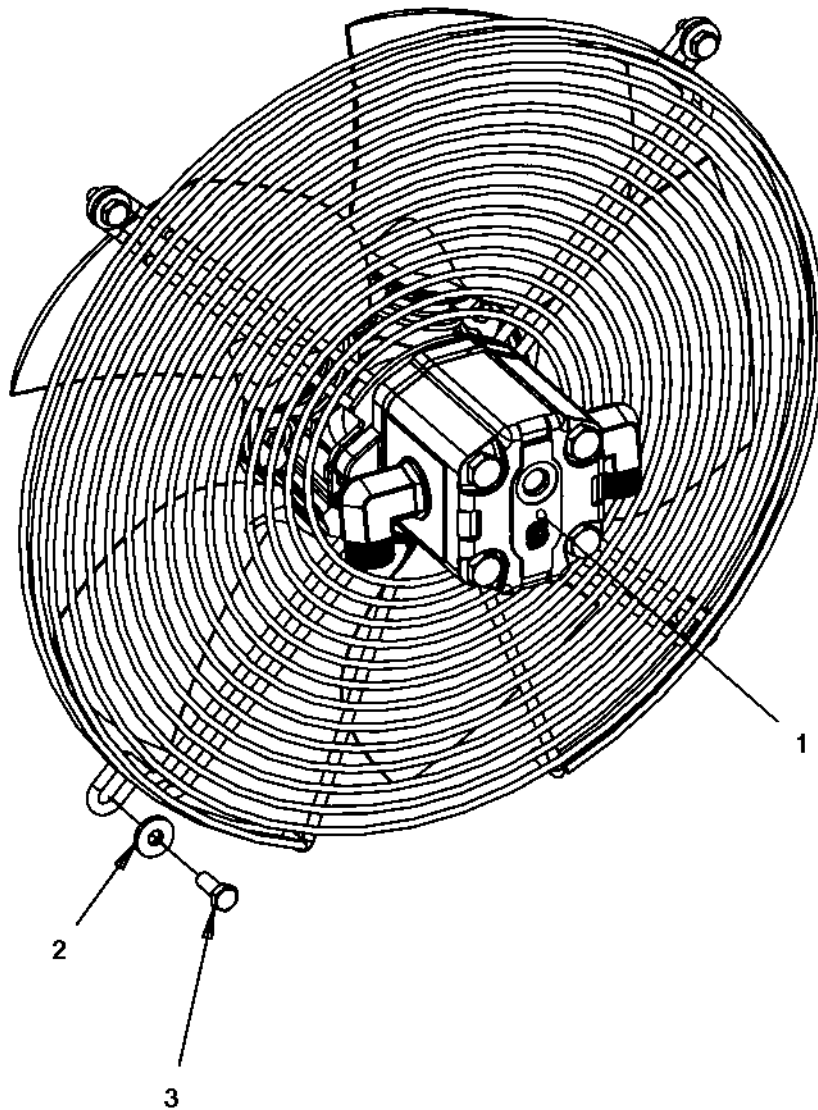


Oil cooler

Ref. No.	Part No.	Rem. Qty	Description	Code
1	390629	1	Oil cooler	C
2	792339	1	Straight connector orfs	
3	791321	1	Elbow adapter 90	
4	391297	1	Rubber cloth	

Fan

390338

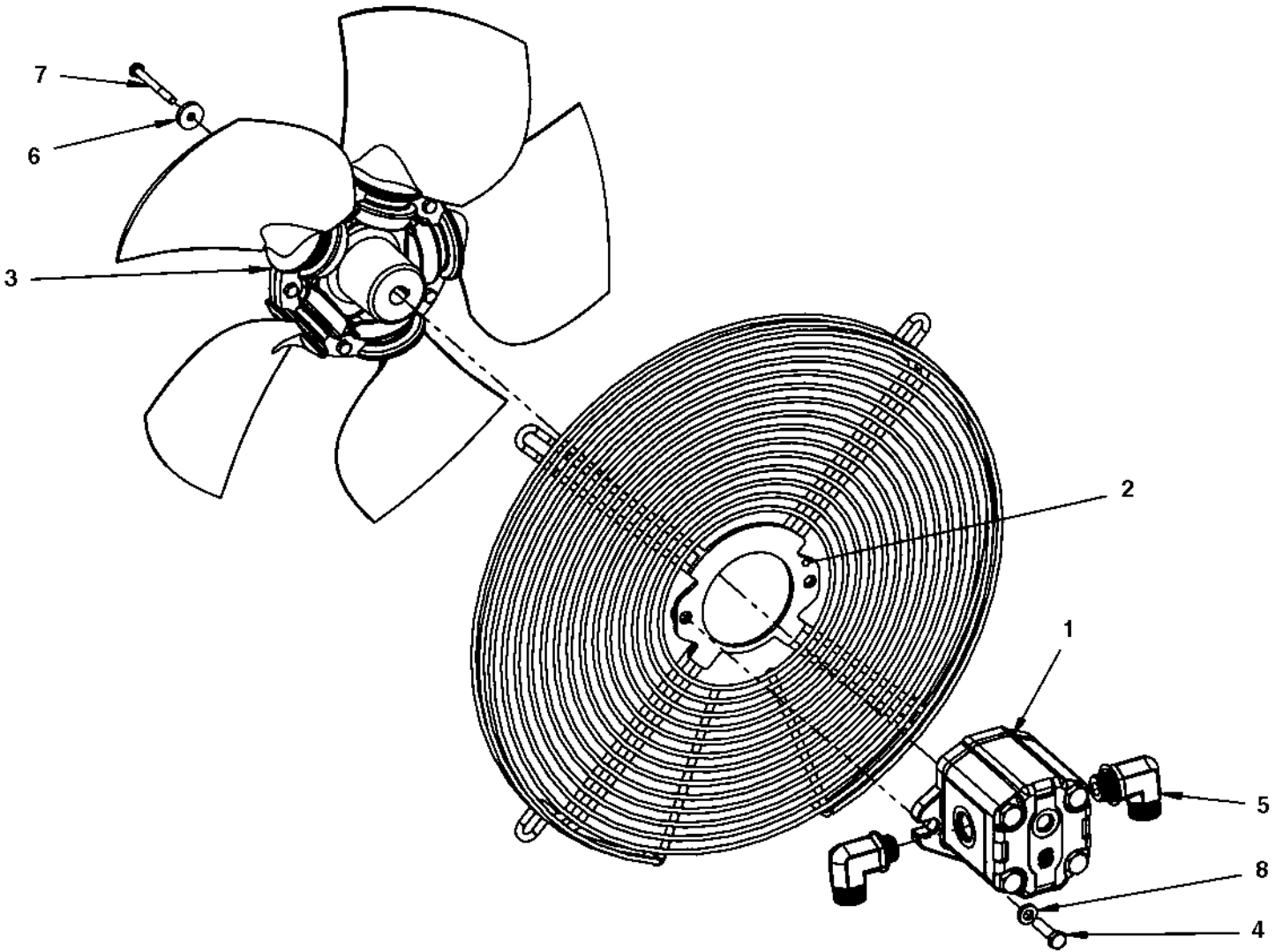


Fan

Ref. No.	Part No.	Rem.	Qty	Description	Code
1			1	Fan (Page 70)	
2	904640		4	Washer	
3	500053		4	Screw	

Fan

391937

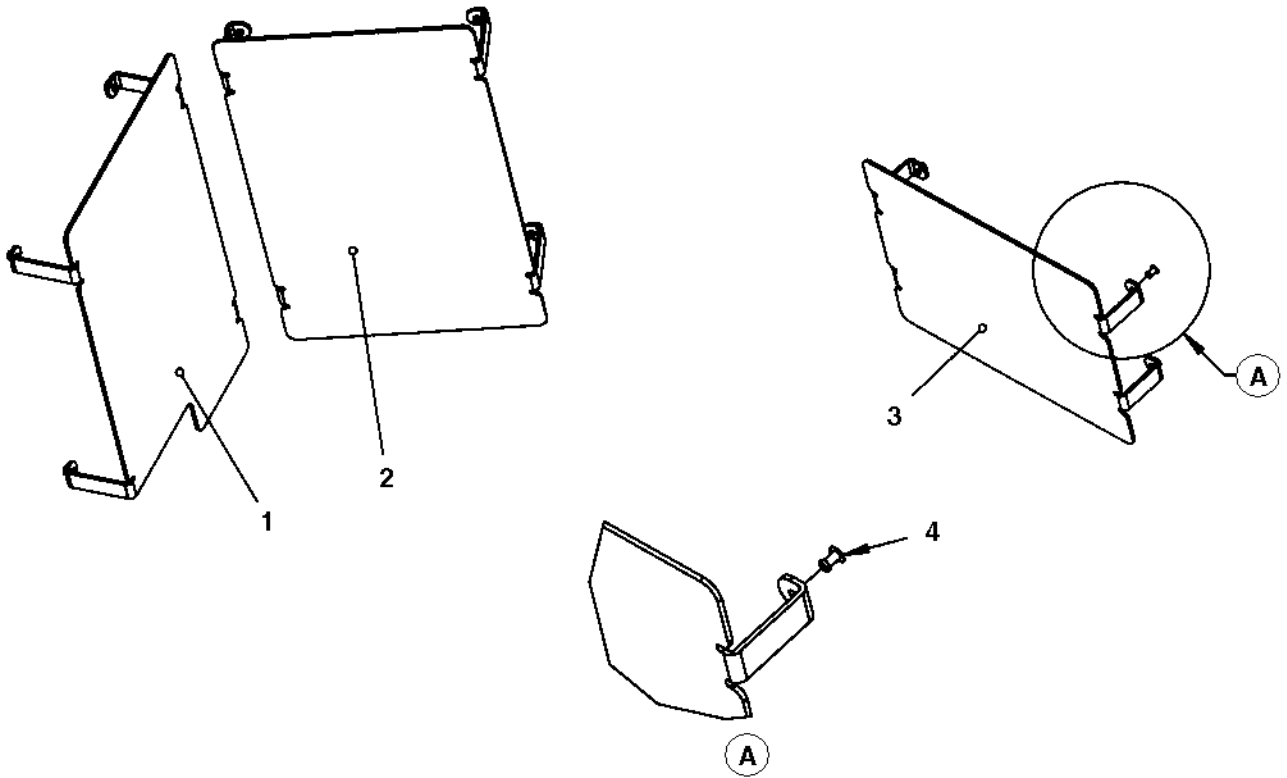


Fan

Ref. No.	Part No.	Rem.	Qty	Description	Code
1	390609		1	Hydraulic motor	D
2	390608		1	Fan guard	
3	390607		1	Fan	D
4	500022		2	Screw	
5	792332		2	Elbow 90 orfs	
6	904735		2	Washer	
7	500016		1	Screw	
8	904640		2	Washer	

Noise suppression plates

379988

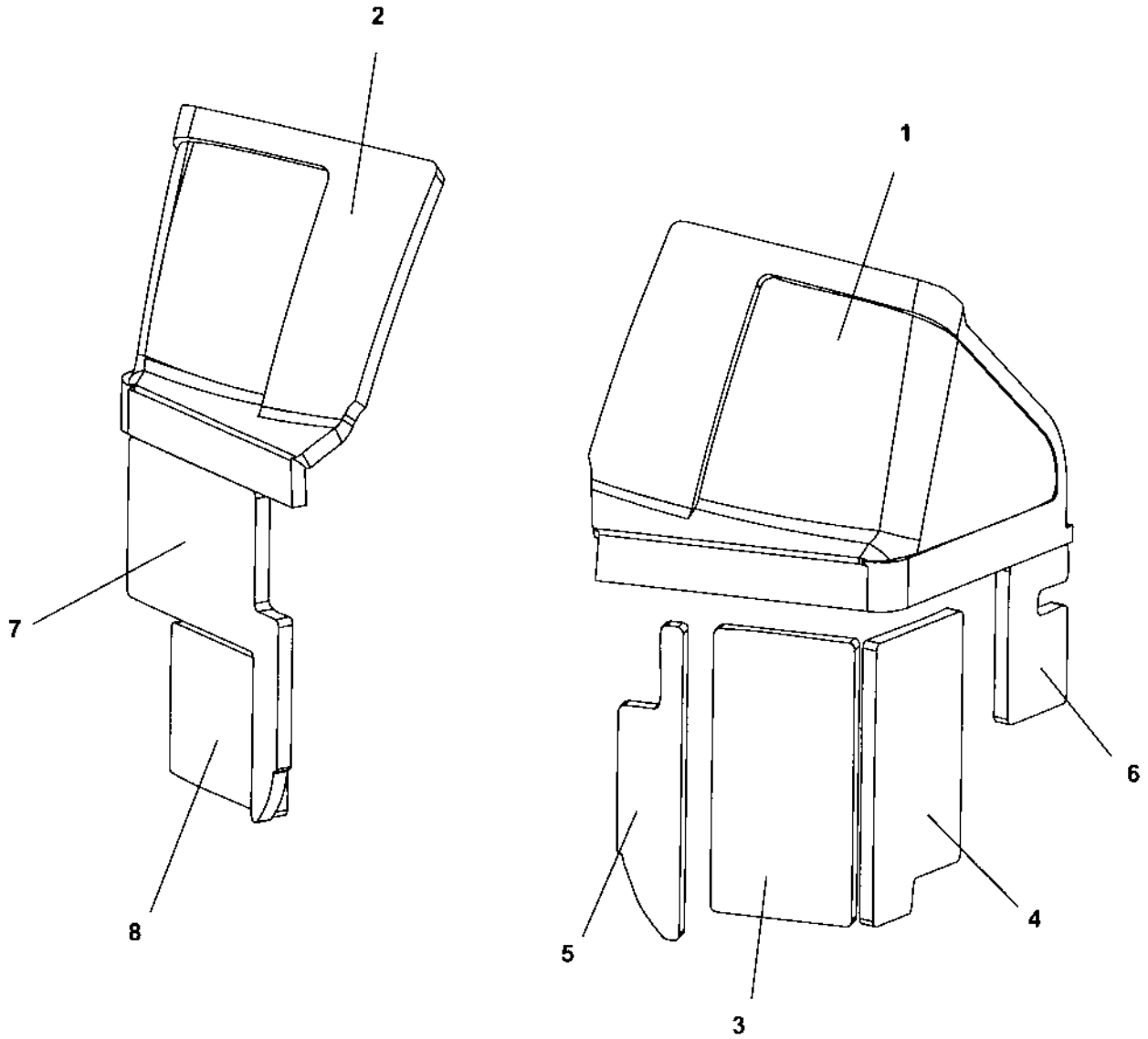


Noise suppression plates

Ref. No.	Part No.	Rem.	Qty	Description	Code
1	391369		1	Noise suppression plate	
2	391370		1	Noise suppression plate	
3	391371		1	Noise suppression plate	
4	792669		12	Blind rivet	

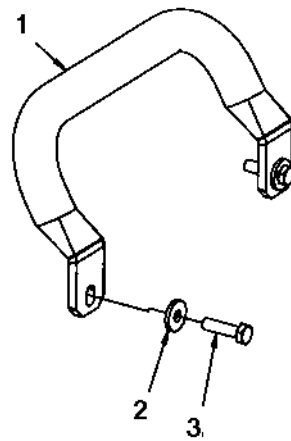
Noise suppression, covers

394566



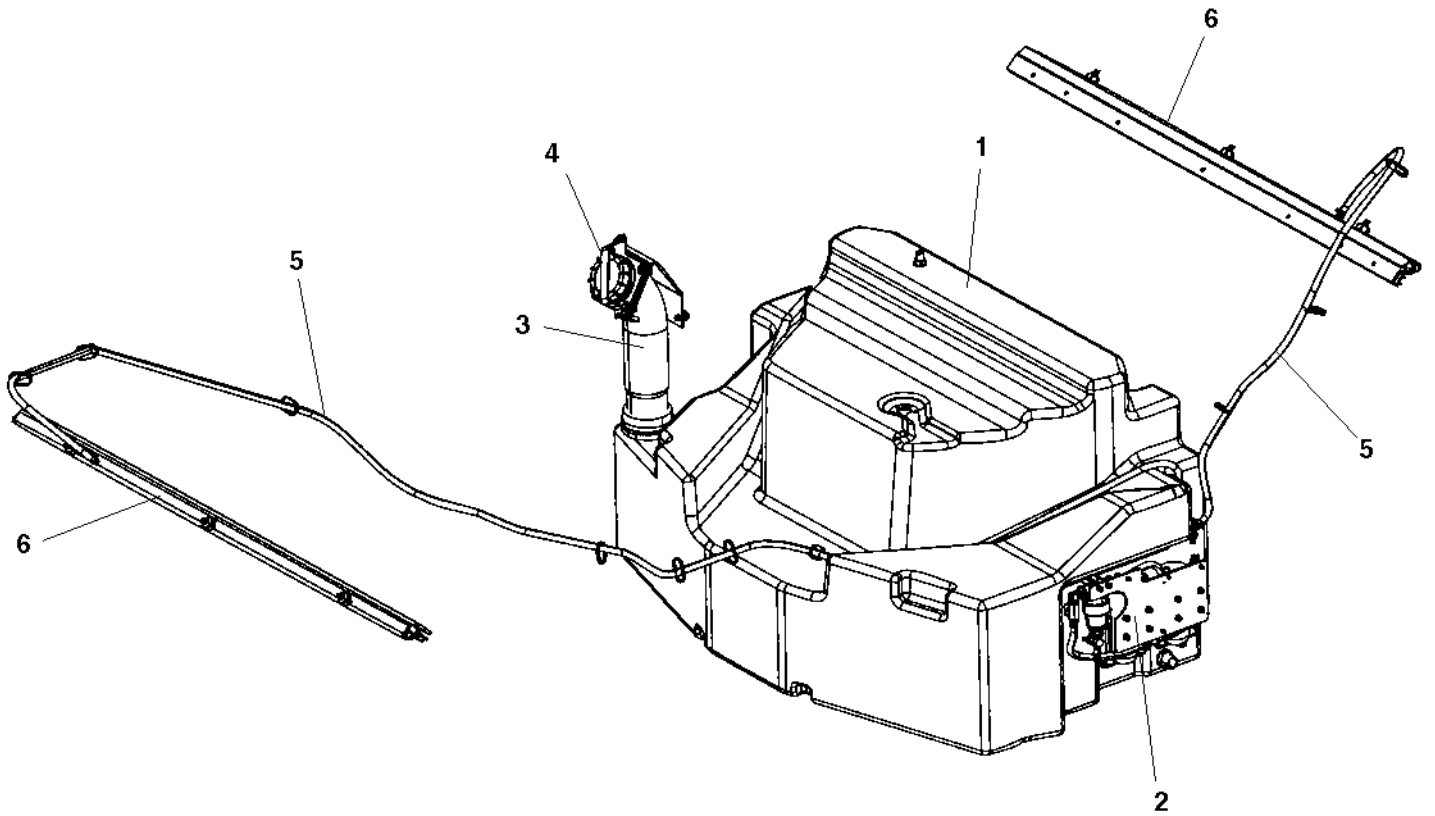
Noise suppression, covers

Ref. No.	Part No.	Rem. Qty	Description	Code
1	394567	1	Sound absorbent	
2	394568	1	Sound absorbent	
3	394569	1	Sound absorbent	
4	394570	1	Sound absorbent	
5	394571	1	Sound absorbent	
6	394572	1	Sound absorbent	
7	394573	1	Sound absorbent	
8	394575	1	Sound absorbent	



Grab handle module

Ref. No.	Part No.	Rem.	Qty	Description	Code
1	394545		1	Grab handle	
2	904640		2	Washer	
3	500022		2	Screw	



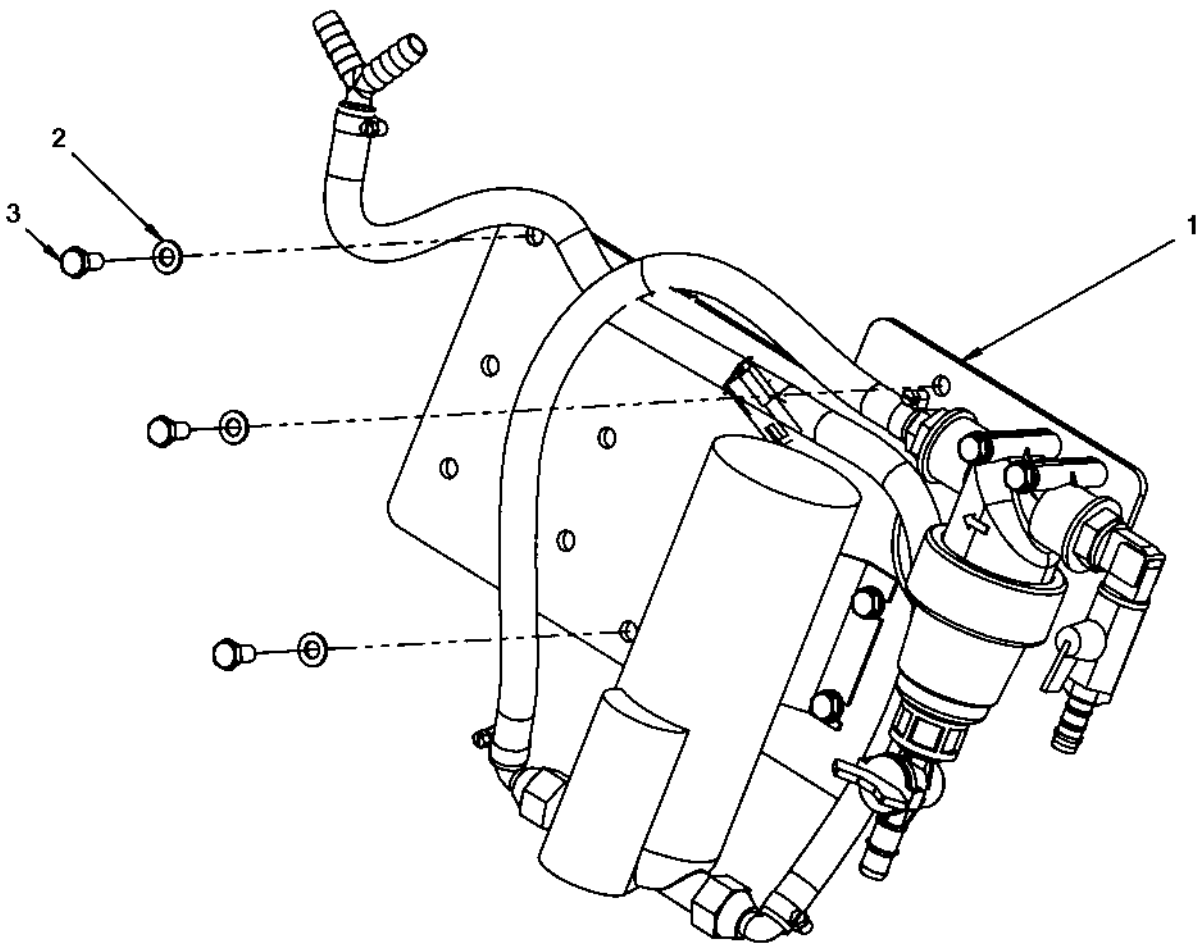
Sprinkler system

Ref. No.	Part No.	Rem.	Qty	Description	Code
1			1	Tank structure module (Page 30)	
2			1	Sprinkler pump module (Page 80)	
			1	Sprinkler pump, backup (Page 84)	
			1	Sprinkler pump, additonal sprinkler (Page 86)	
3		1	2	Filling pipe module (Page 40)	
4			1	Cover lock module (Page 90)	
			1	Locking device module (Page 94)	
5			1	Water hoses (Page 96)	
6			2	Scraper assy with nozzles (Page 128)	

1) Two pieces when use of tank with dual filling holes.

Sprinkler pump module

396722

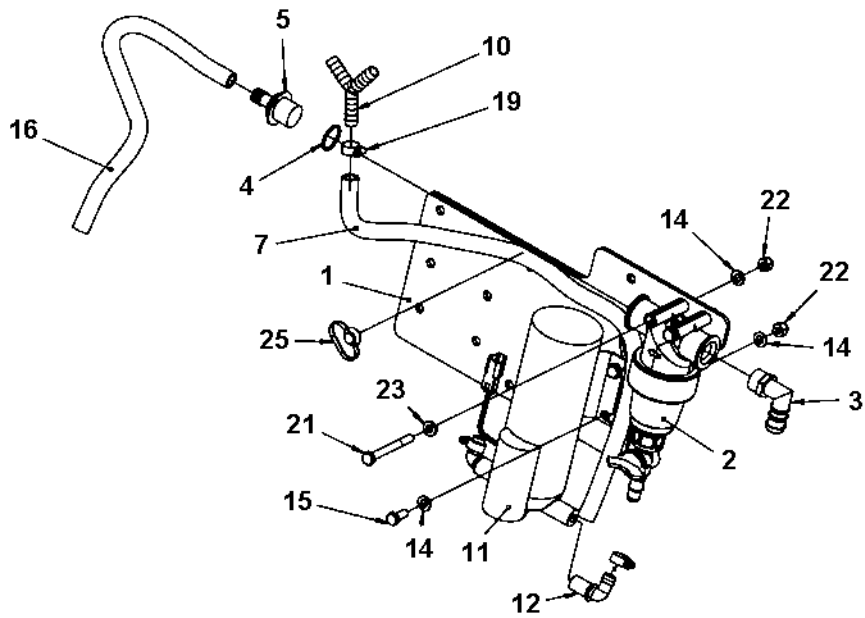


Sprinkler pump module

Ref. No.	Part No.	Rem.	Qty	Description	Code
1			1	Sprinkler pump (Page 82)	
2	904229		3	Washer	
3	500019		3	Screw	

Sprinkler pump

391971C



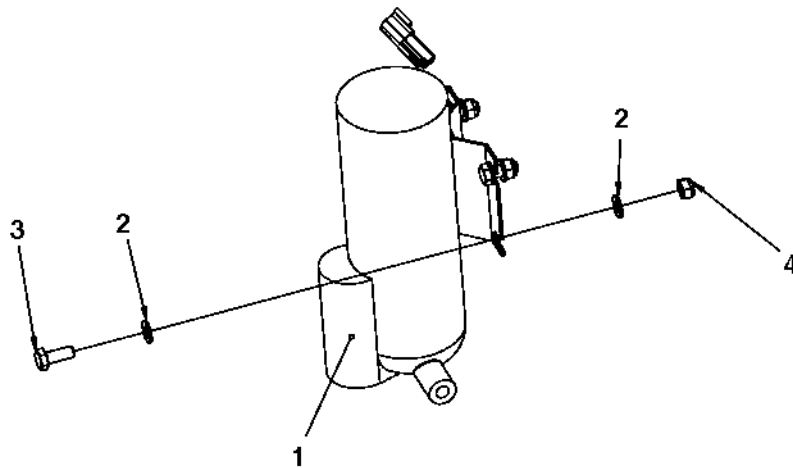
Sprinkler pump

Ref. No.	Part No.	Rem.	Qty	Description	Code
1	390400		1	Sprinkler plate	
2	791950		1	Water strainer, cpl	
	791959		1	.O-ring	
	791949		1	.Filter element	B
	791568		1	.Gasket	
	379009		1	.Valve	
3	792777		1	Hose connection	
4	160313		1	O-ring	
5	396672		1	Hose connection, plastic	
7	904878	B	1XL	Hose reinforced	
10	792386		1	Hose connection, plastic	
11	391495		1	Pump	
12	393765		2	Hose connection	
14	904229		10	Washer	
15	500053		4	Screw	
16	904878	A	1XL	Hose reinforced	
19	313001		4	Hose clamp	
21	500090		2	Screw	
22	586003		6	Lock nut	
23	904556		2	Washer	
25	792441		1	Cable tie with holder	

- A) L=0.70 m
- B) L=0.57 m

Sprinkler pump, backup

391617

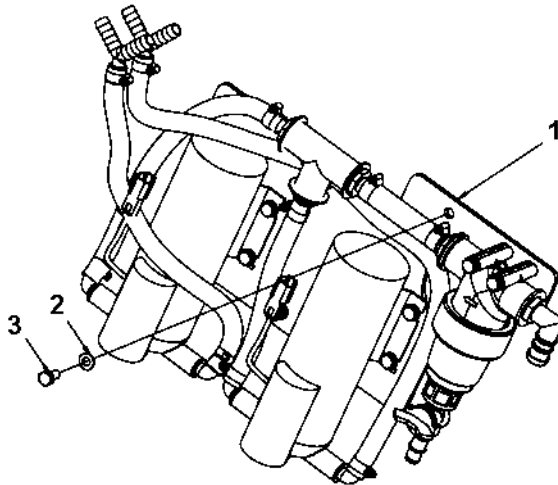


Sprinkler pump, backup

Ref. No.	Part No.	Rem.	Qty	Description	Code
1	391495		1	Pump	
2	904229		8	Washer	
3	500053		4	Screw	
4	791182		4	Lock nut	M8

Sprinkler pump, additional sprinkler

396663

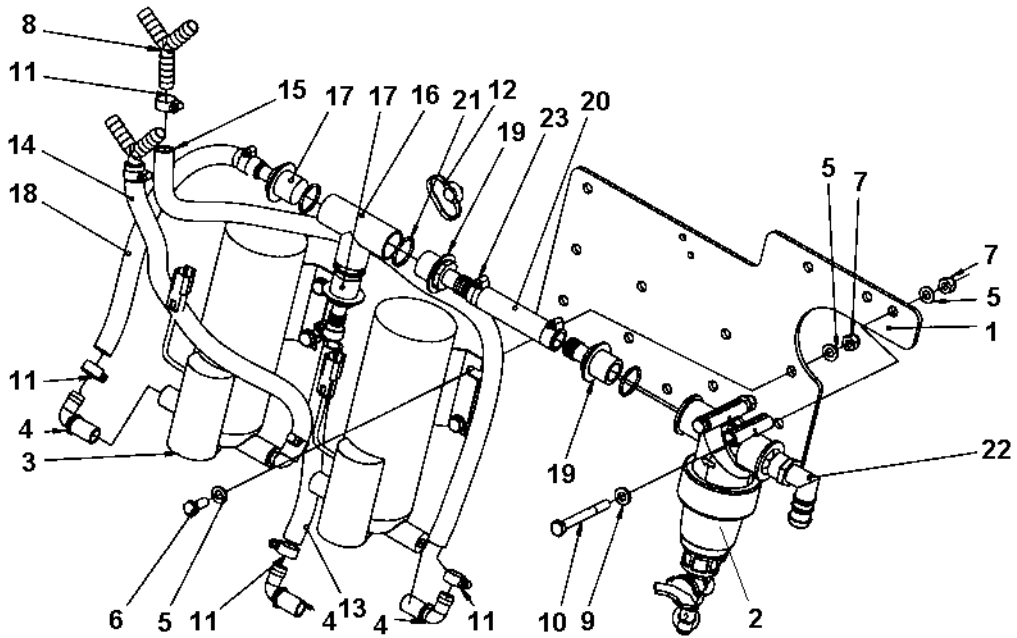


Sprinkler pump, additional sprinkler

Ref. No.	Part No.	Rem.	Qty	Description	Code
1			1	Sprinkler pump mount (Page 88)	
2	904229		3	Washer	
3	500019		3	Screw	

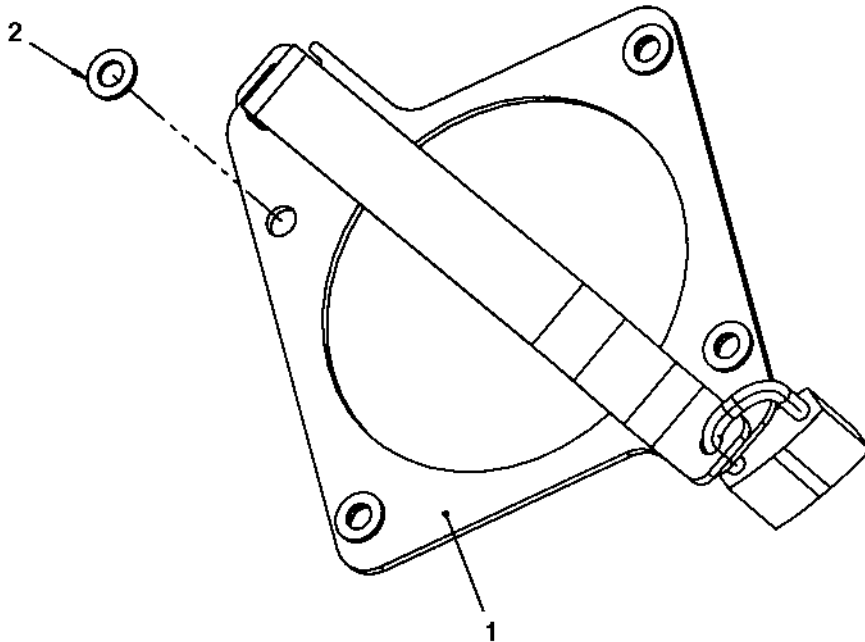
Sprinkler pump mount

396664



Sprinkler pump mount

Ref. No.	Part No.	Rem.	Qty	Description	Code
1	390400		1	Sprinkler plate	
2	791950		1	Water strainer, cpl	
	791959		1	.O-ring	
	791949		1	.Filter element	B
	791568		1	.Gasket	
	379009		1	.Valve	
3	391495		2	Pump	
4	393765		4	Hose connection	
5	904229		18	Washer	
6	500053		8	Screw	
7	586003		10	Lock nut	
8	792386		2	Hose connection, plastic	
9	904556		2	Washer	
10	500090		2	Screw	
11	313001		8	Hose clamp	
12	792441		N	Cable tie with holder	
13	904878	A	1XL	Hose reinforced	
14	904878	B	1XL	Hose reinforced	
15	904878	C	1XL	Hose reinforced	
16	792778		1	Tee-connector	
17	396672		2	Hose connection, plastic	
18	904878	D	1XL	Hose reinforced	
19	396673		2	Hose connection	
20	792073	E	1XL	Hose reinforced	D
21	160313		4	O-ring	
22	792777		4	Hose connection	
23	313003		2	Hose clamp	D
A)	L=0.20 m				
B)	L=0.38 m				
C)	L=0.61 m				
D)	L=0.31 m				
E)	L=0.10 m				

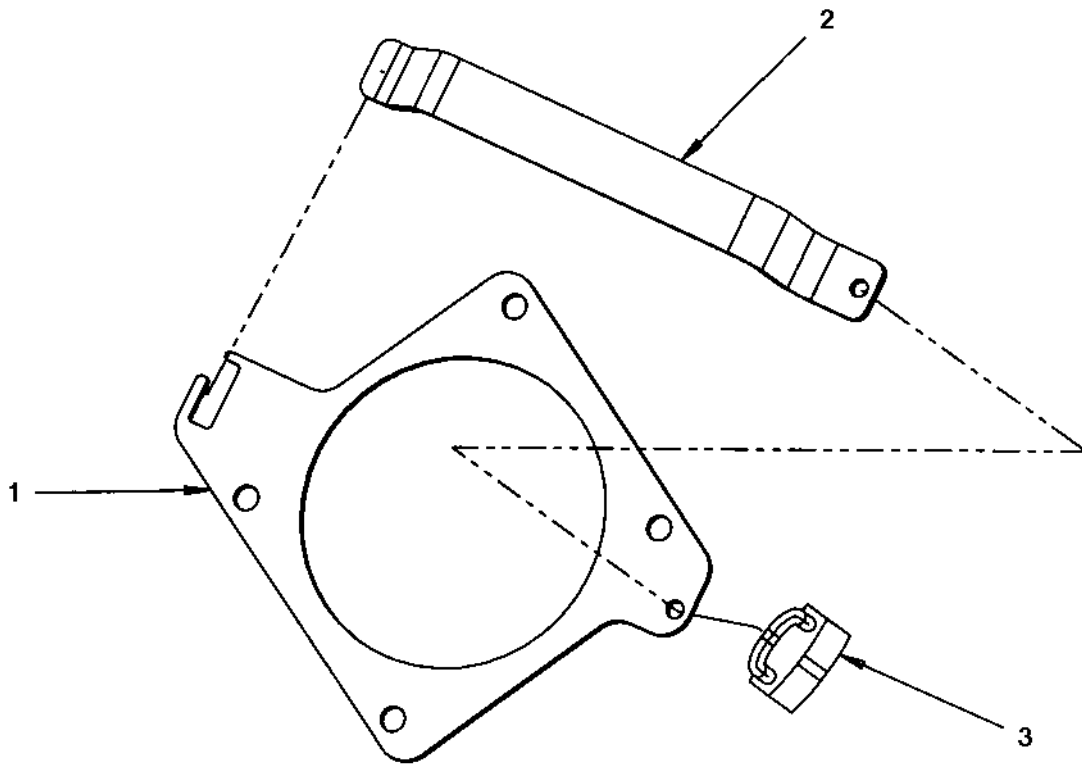


Cover lock module

Ref. No.	Part No.	Rem.	Qty	Description	Code
1			1	Lock bracket (Page 92)	
2	904229		4	Washer	

Lock bracket

391856

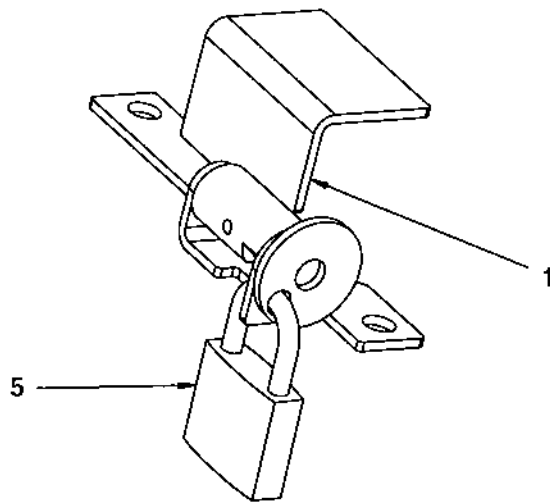


Lock bracket

Ref. No.	Part No.	Rem.	Qty	Description	Code
1	391857		1	Bracket	
2	391858		1	Bracket	
3	358881		1	Pad lock	

Locking device module

394928A

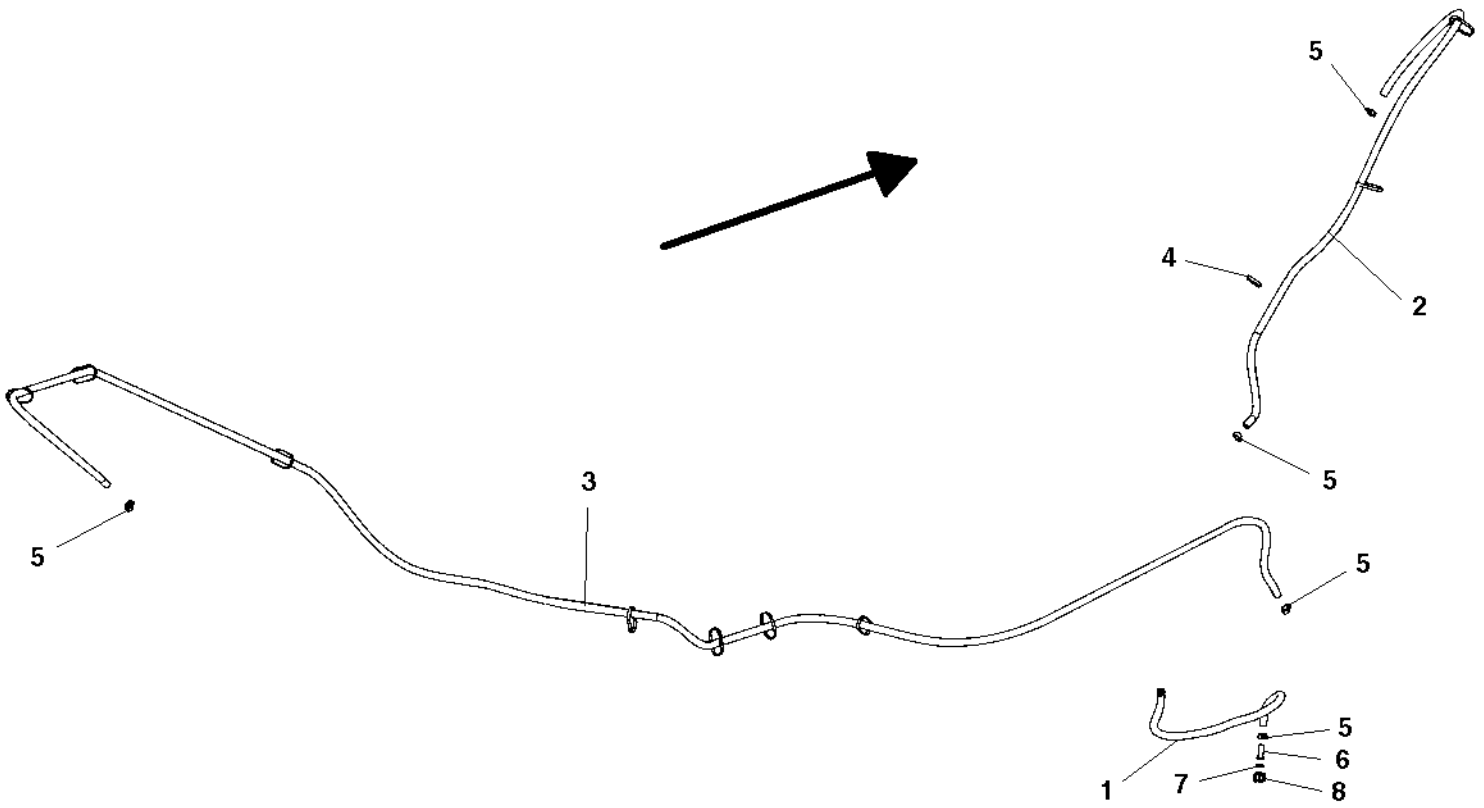


Locking device module

Ref. No.	Part No.	Rem.	Qty	Description	Code
1			1	Locking device	
	394587		1	.Bracket	
	394591		1	.Shaft	
	394590		1	.Lock bracket	
	629008		1	.Spring pin	
5	358881		1	Pad lock	

Water hoses

391907



Water hoses

Ref. No.	Part No.	Rem.	Qty	Description	Code
1	904878	A	1XL	Hose reinforced	
2	904878	B	1XL	Hose reinforced	
3	904878	C	1XL	Hose reinforced	
4	313102		N	Cable ties	
5	313001		6	Hose clamp	
6	392228		1	Hose connection swivel	
7	392229		1	Plane gasket	
8	392227		1	Swivel nut	

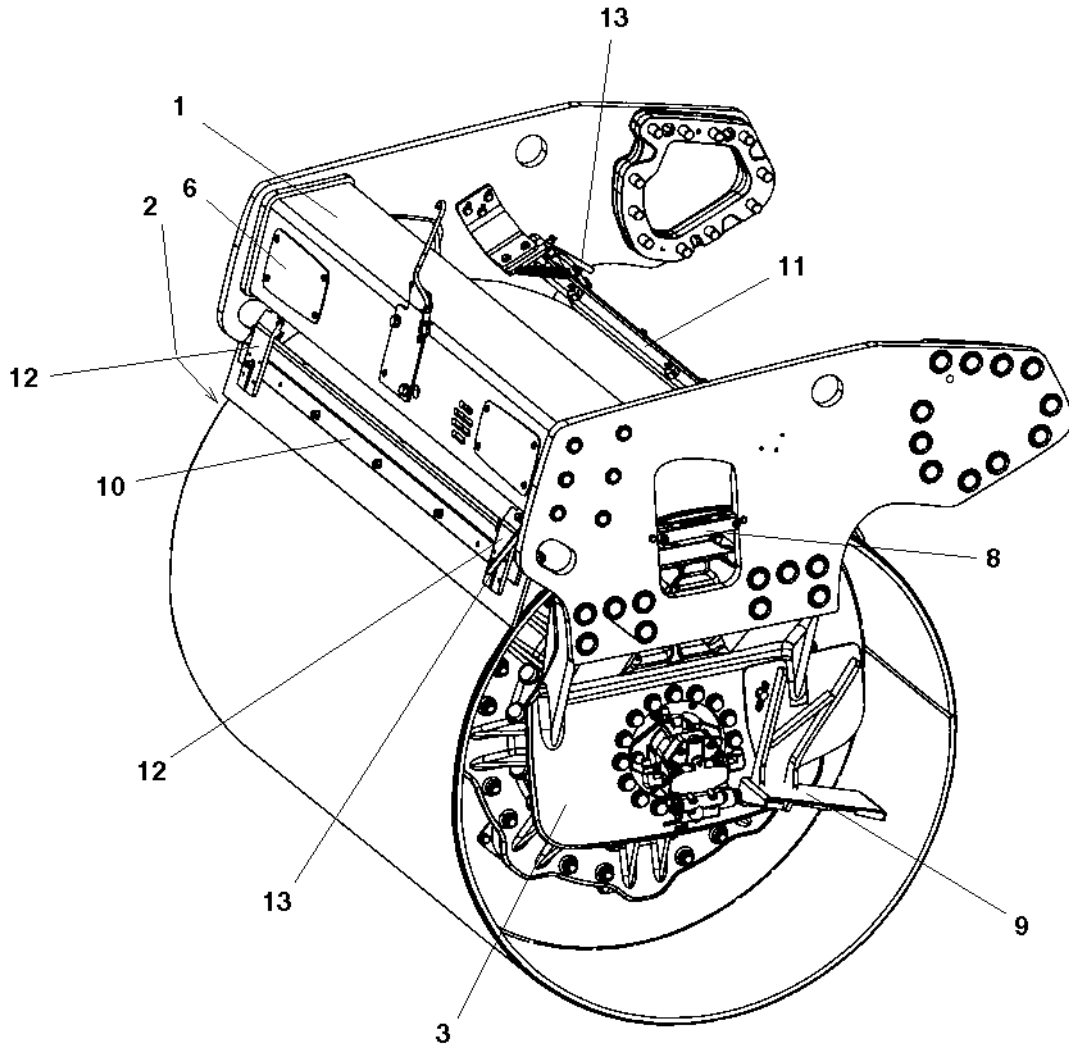
A) L=0.70 m

B) L=1.68 m, machine with offset L=1.65 m

C) L=4.46 m, machine with offset L=4.23 m

End frame, front

AR0020

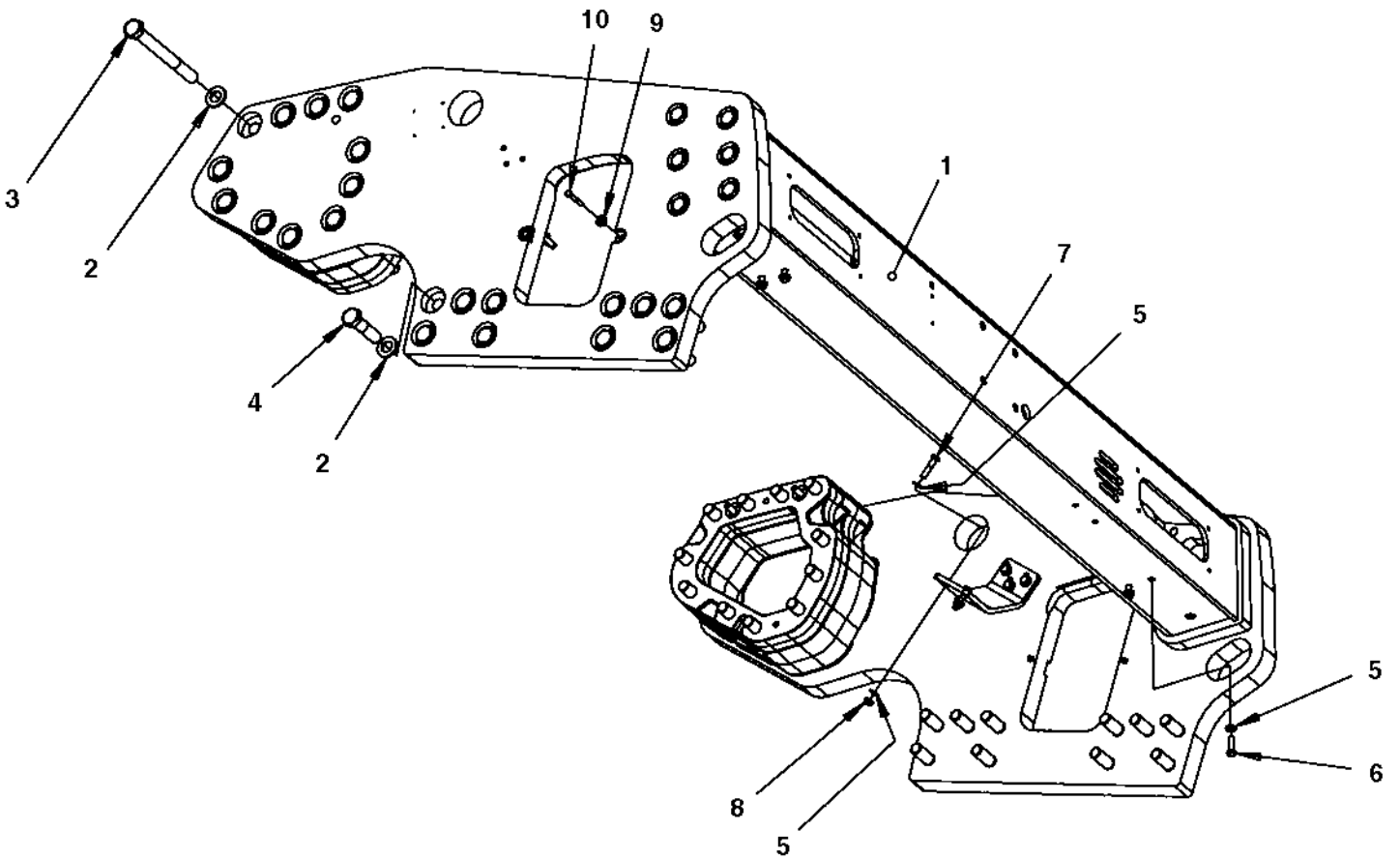


End frame, front

Ref. No.	Part No.	Rem.	Qty	Description	Code
1			1	End frame, front (Page 100)	
2			1	Fork, vibration side (Page 104)	
3			1	Fork, propulsion side (Page 106)	
6			2	Cover plate (Page 108)	
8			1	Hose clamp, propulsion side (Page 110)	
			1	Hose clamp, vibration side (Page 112)	
9			1	Step, vibration side (Page 114)	
			1	Step, propulsion side (Page 118)	
10			1	Scraper module, without nozzles (Page 122)	
11			1	Scraper module, with nozzles (Page 126)	
12	394340		2	Scraper bracket, cpl (Page 130)	
13			2	Grab handle, release (Page 132)	
14			1	Grab handle, lift (Page 134)	

End frame, front

390056

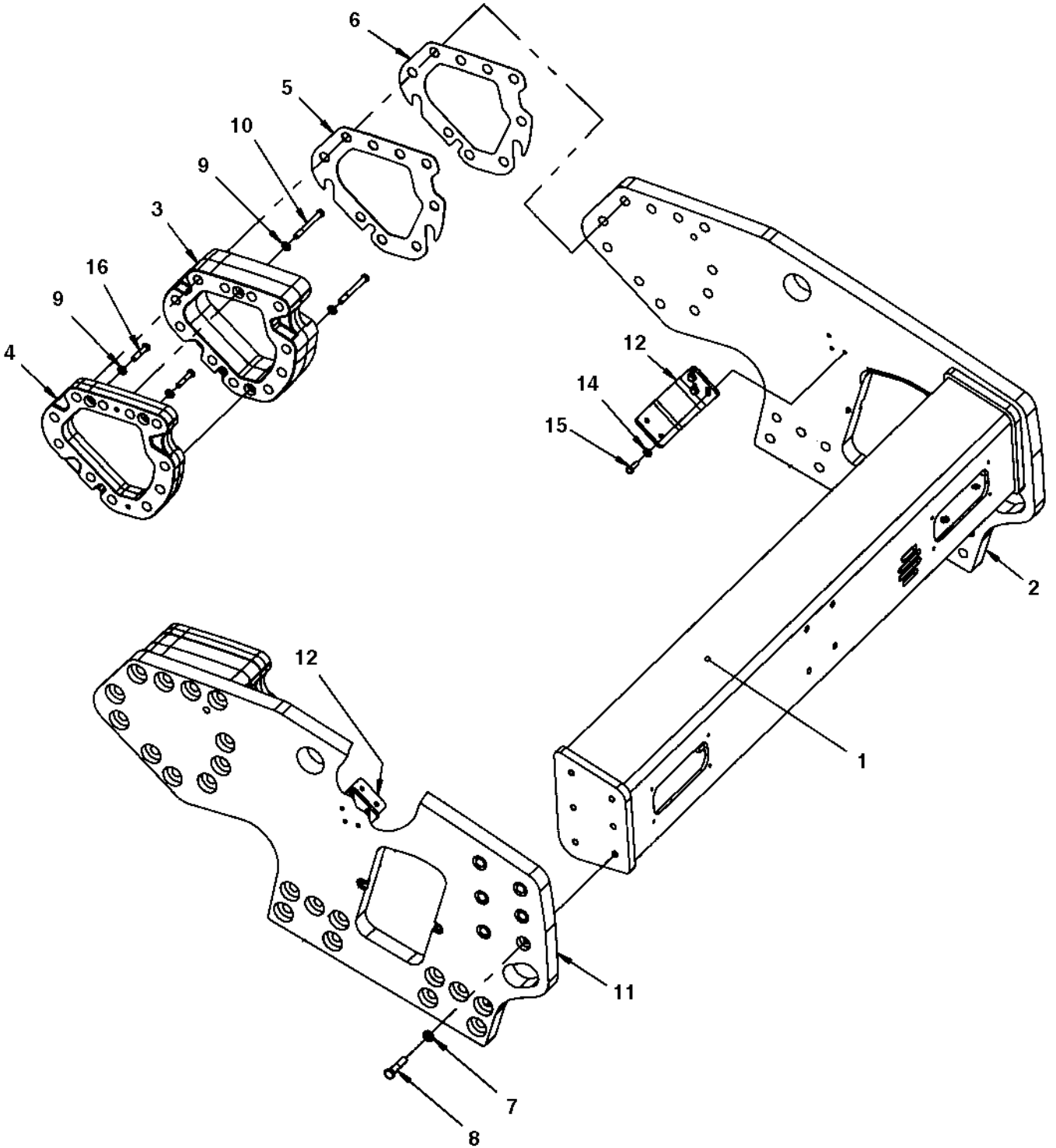


End frame, front

Ref. No.	Part No.	Rem.	Qty	Description	Code
1			1	Frame (Page 102)	
2	904234		42	Washer	
3	792534		22	Screw	M24x230
4	500130		20	Screw	M24x90
5	904230		12	Washer	
6	500030		4	Screw	
7	500161		4	Screw	
8	791172		4	Lock nut	
9	904640		4	Washer	
10	500025		4	Screw	M8-1,25x50 8,8

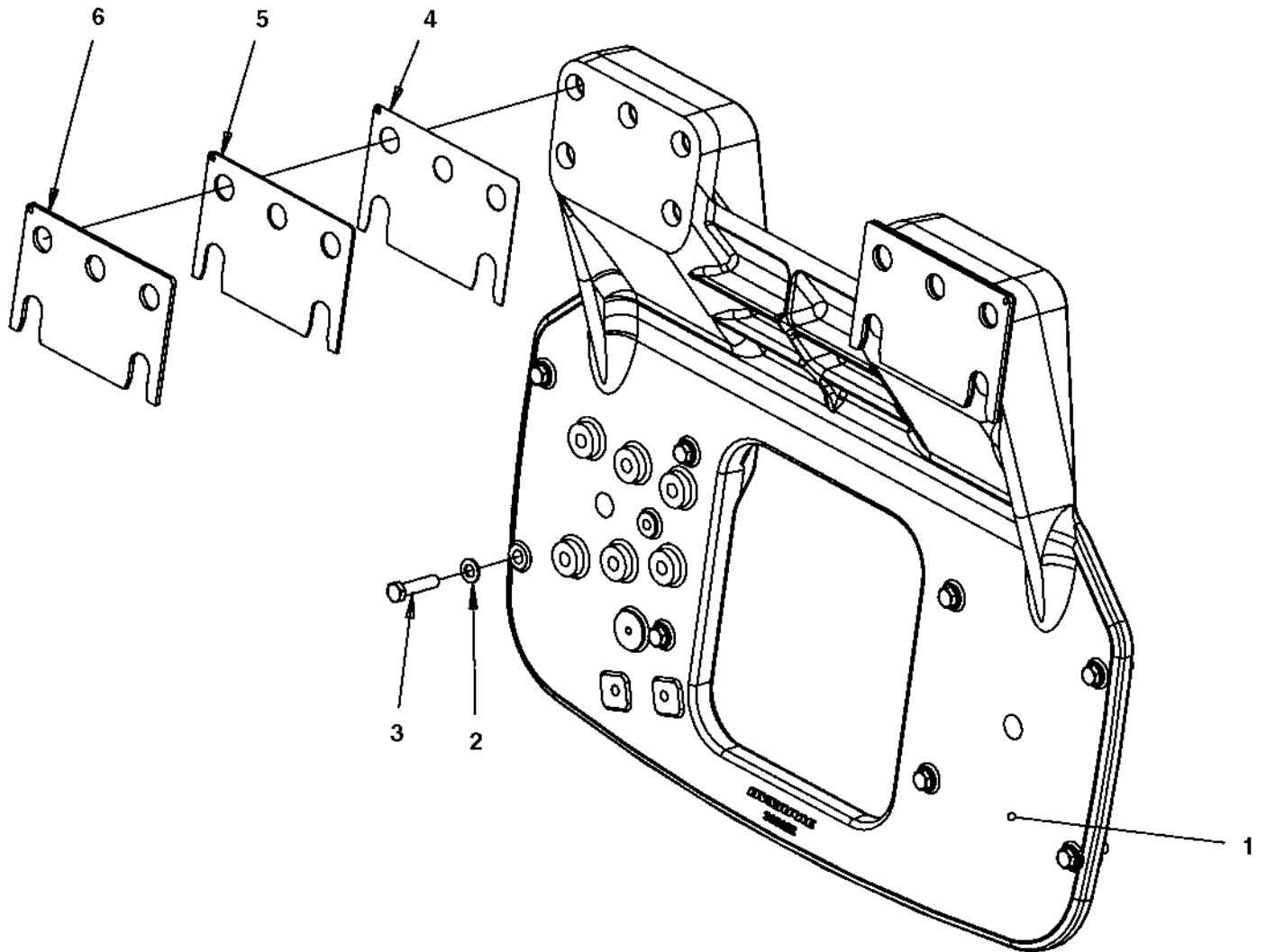
Frame

391554



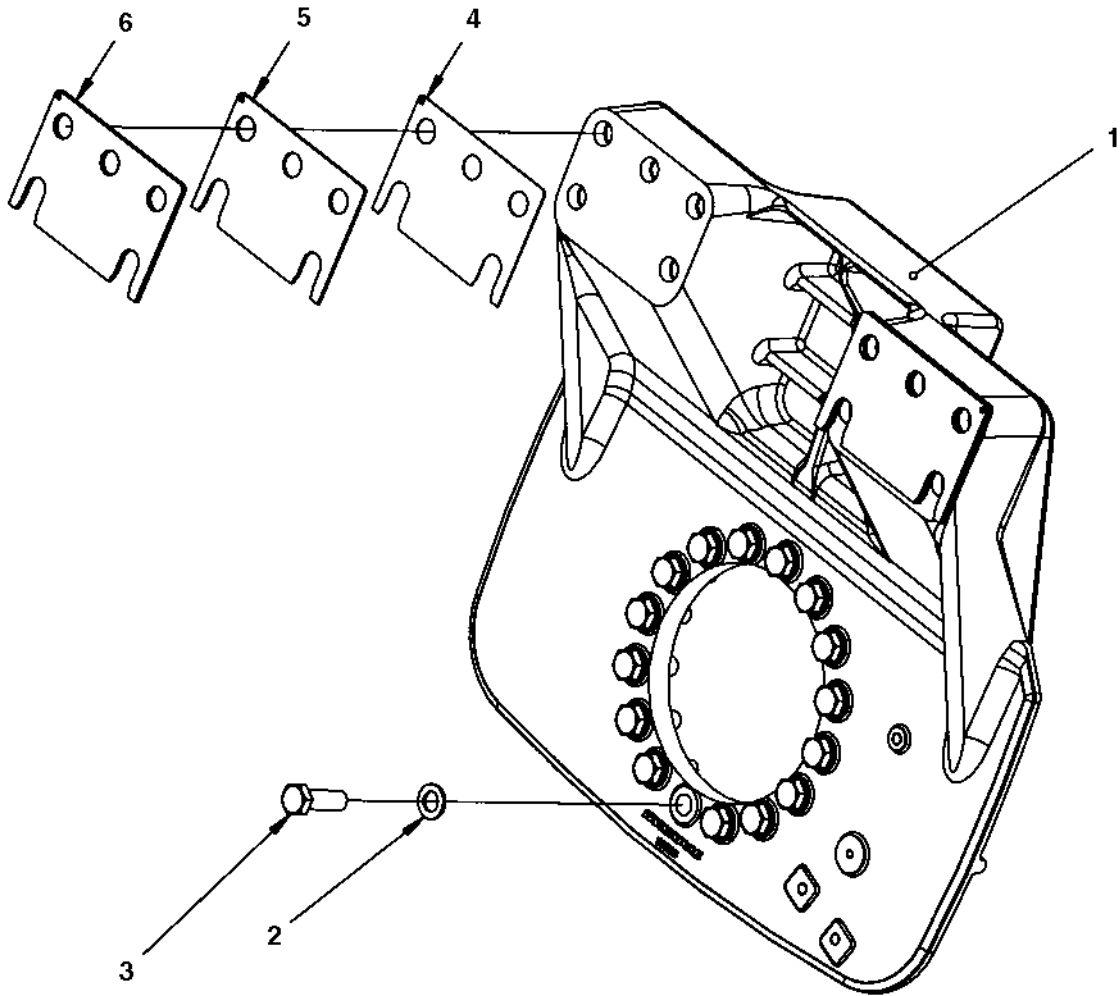
Frame

Ref. No.	Part No.	Rem.	Qty	Description	Code
1	390061		1	Cross beam	
2	390058		1	Side plate	
3	390076		2	Spacer	
4	390074		2	Spacer	
5	390470		N	Shim	
6	390469		N	Shim	
7	904233		12	Washer	
8	500207		12	Screw	M12x70
9	904231		8	Washer	
10	500267		4	Screw	M12x120 8,8 FZB
11	393429		1	Side plate	
12	394787		2	Holder	
14	904557		6	Washer	
15	500030		6	Screw	
16	500049		4	Screw	



Fork, vibration side

Ref. No.	Part No.	Rem.	Qty	Description	Code
1	392622		1	Fork	
2	904231		8	Washer	
3	500269		8	Screw	
4	391754		N	Shim	
5	393009		N	Shim	
6	393010		N	Shim	

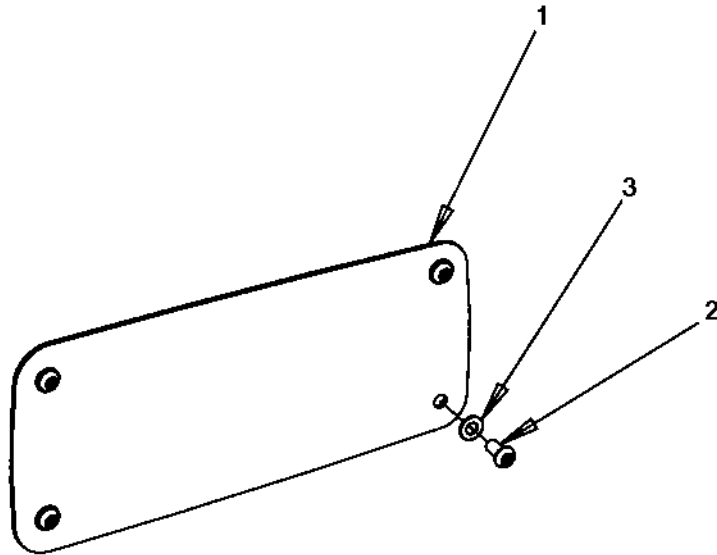


Fork, propulsion side

Ref. No.	Part No.	Rem.	Qty	Description	Code
1	391198		1	Fork	
2	904233		16	Washer	
3	500206		16	Screw	M20-2,5X60 8.8
4	391754		N	Shim	
5	393009		N	Shim	
6	393010		N	Shim	

Cover plate

391642

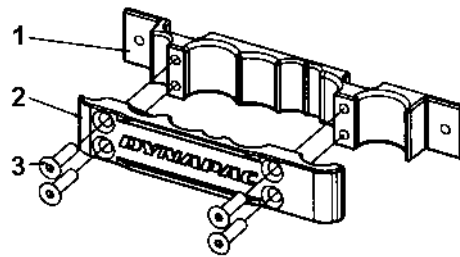


Cover plate

Ref. No.	Part No.	Rem.	Qty	Description	Code
1	390919		1	Cover plate	
2	904956		4	Screw	
3	904229		4	Washer	

Hose clamp, propulsion side

395424B

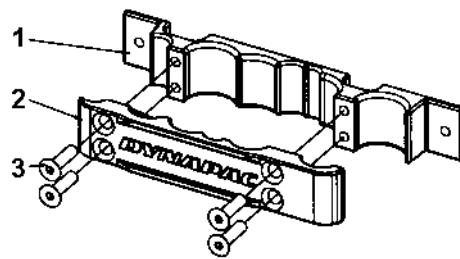


Hose clamp, propulsion side

Ref. No.	Part No.	Rem.	Qty	Description	Code
1	395428		1	Hose clamp	
2	395429		1	Cover	
3	792726		4	Hexagon socket countersunk screw	

Hose clamp, vibration side

395424B

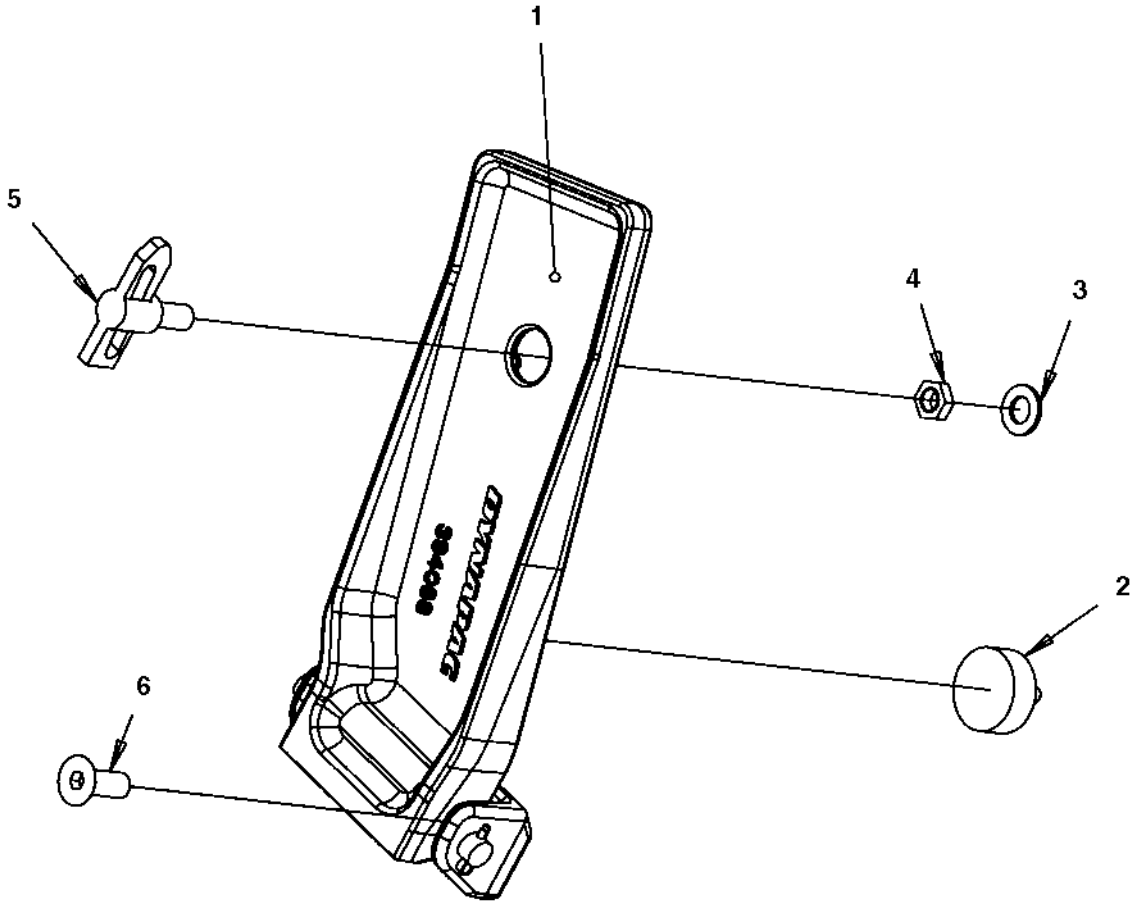


Hose clamp, vibration side

Ref. No.	Part No.	Rem.	Qty	Description	Code
1	395428		1	Hose clamp	
2	395430		1	Cover	
3	792726		4	Hexagon socket countersunk screw	

Step, vibration side

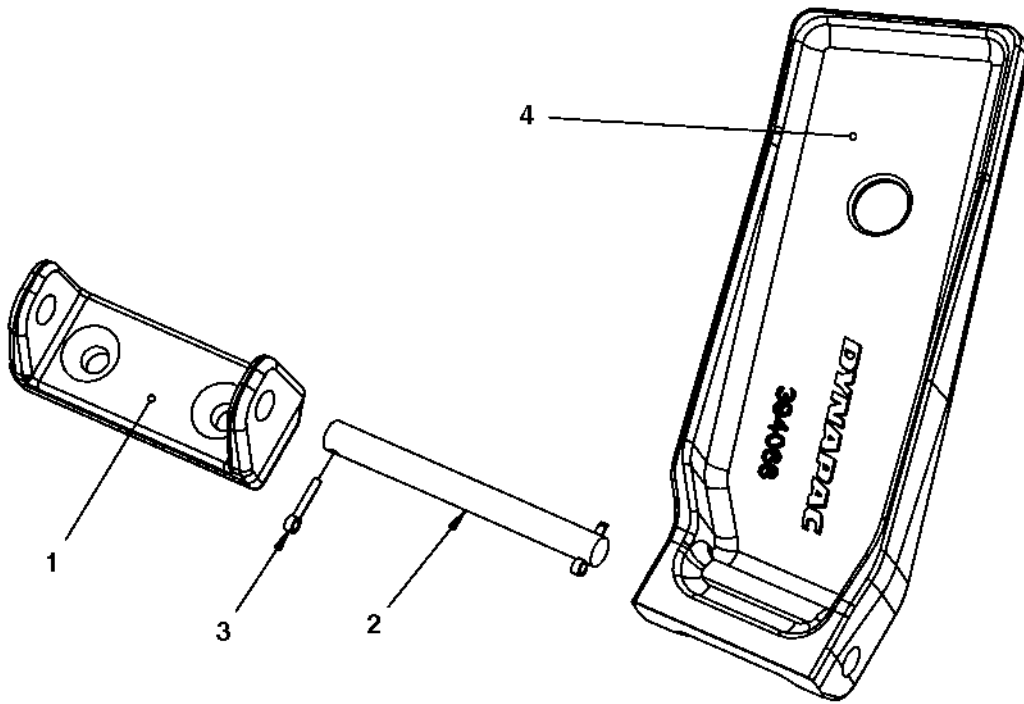
394352



Step, vibration side

Ref. No.	Part No.	Rem.	Qty	Description	Code
1			1	Step (Page 116)	
2	792601		1	Shock absorber	
3	904231		1	Washer	
4	927233		1	Nut	
5	475064		1	Lock	
6	513011		2	Hexagon socket head cap screw	

Step
394353

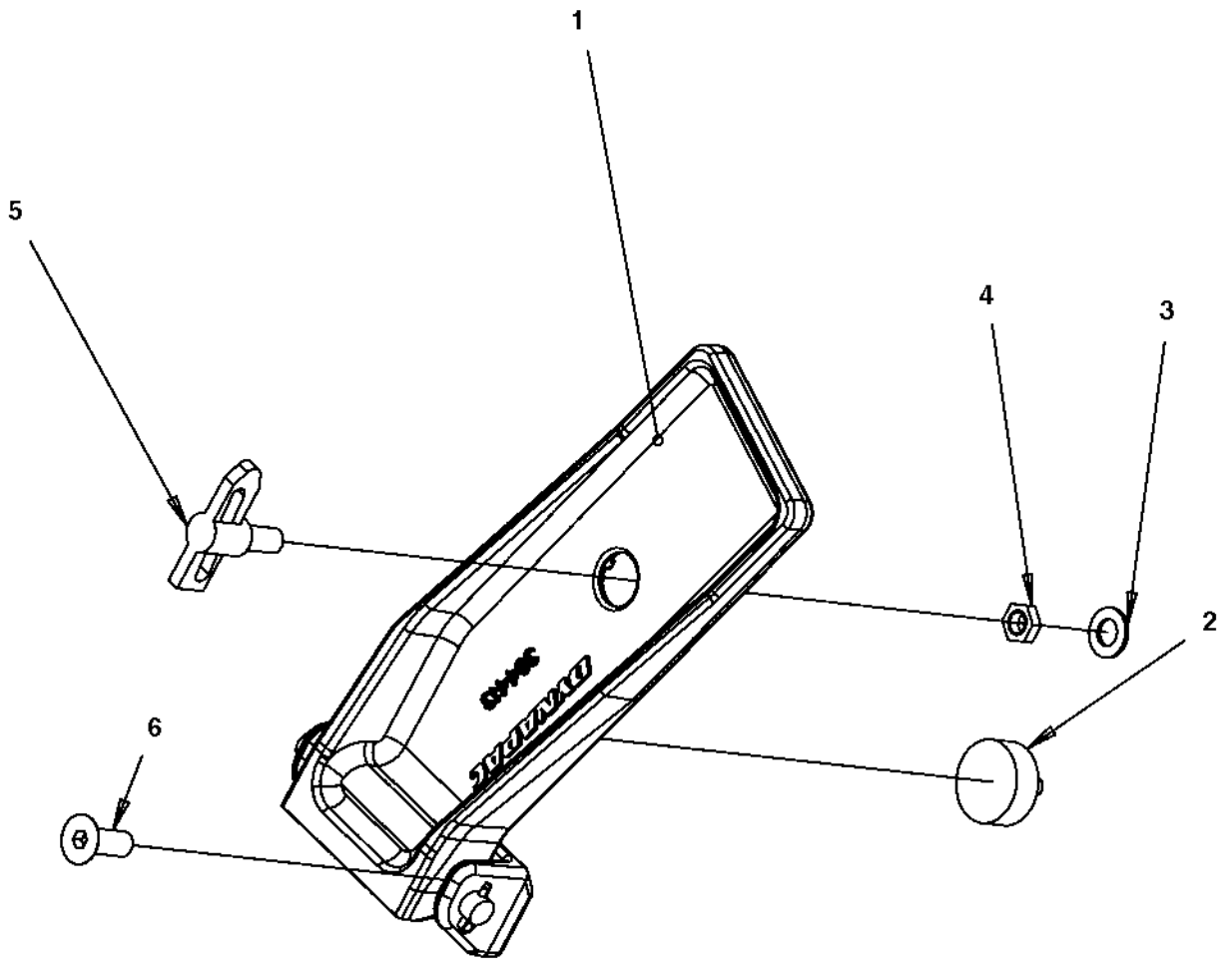


Step

Ref. No.	Part No.	Rem.	Qty	Description	Code
1	394070		1	Bracket	
2	394351		1	Shaft	
3	630012		2	Cotter pin	
4	394068		1	Step	

Step, propulsion side

394410

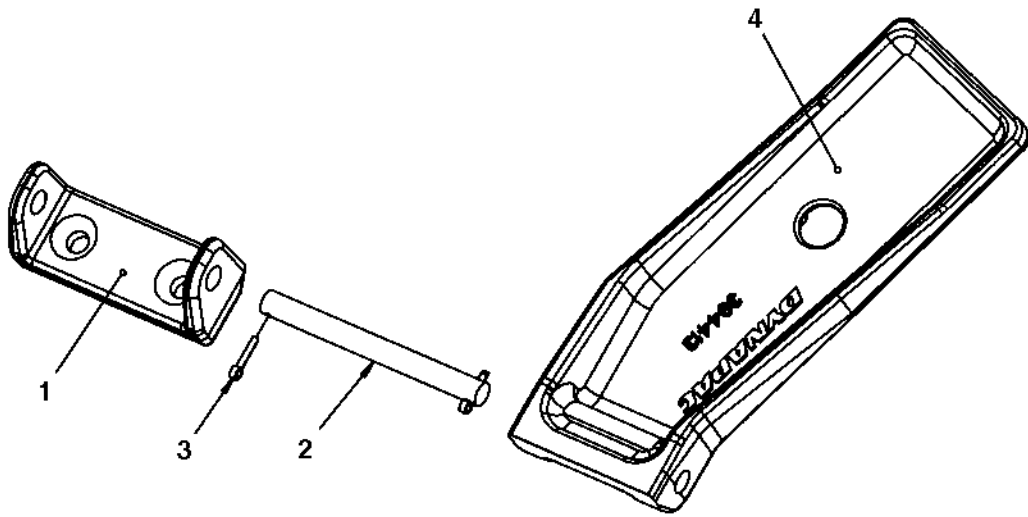


Step, propulsion side

Ref. No.	Part No.	Rem.	Qty	Description	Code
1			1	Step (Page 120)	
2	792601		1	Shock absorber	
3	904231		1	Washer	
4	927233		1	Nut	
5	475064		1	Lock	
6	513011		2	Hexagon socket head cap screw	

Step

394411

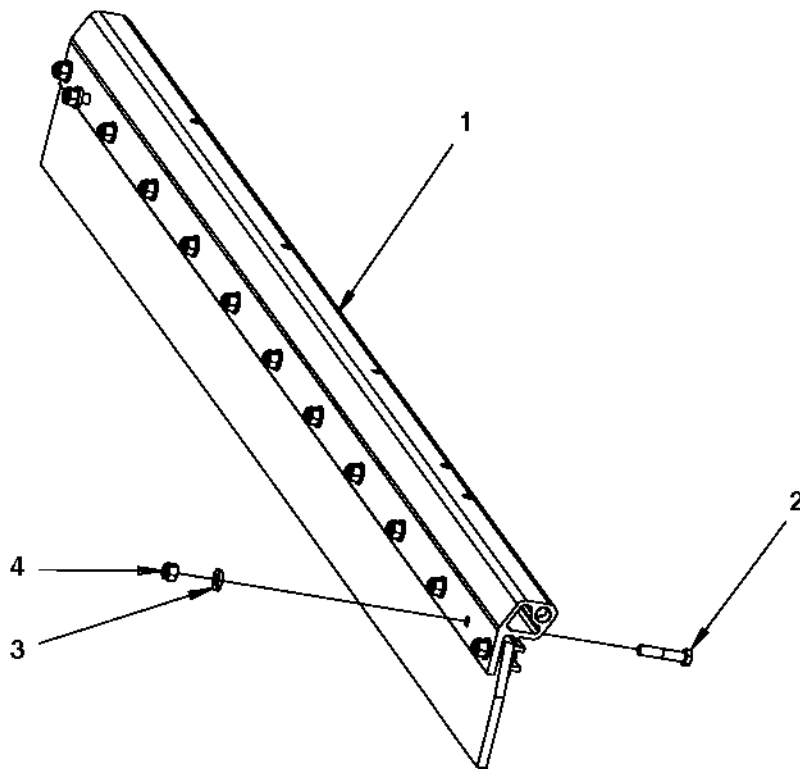


Step

Ref. No.	Part No.	Rem.	Qty	Description	Code
1	394070		1	Bracket	
2	394351		1	Shaft	
3	630012		2	Cotter pin	
4	394413		1	Step	

Scraper module, without nozzles

391228B

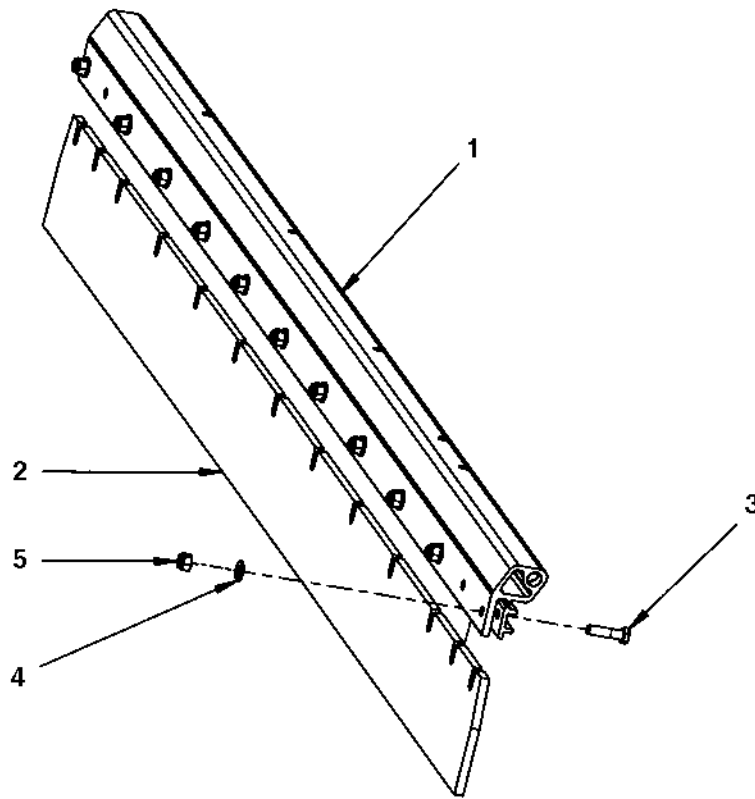


Scraper module, without nozzles

Ref. No.	Part No.	Rem.	Qty	Description	Code
1			1	Scraper assy (Page 124)	
2	500091		2	Screw	
3	904557		2	Washer	
4	586018		2	Lock nut	

Scraper assy

395251A

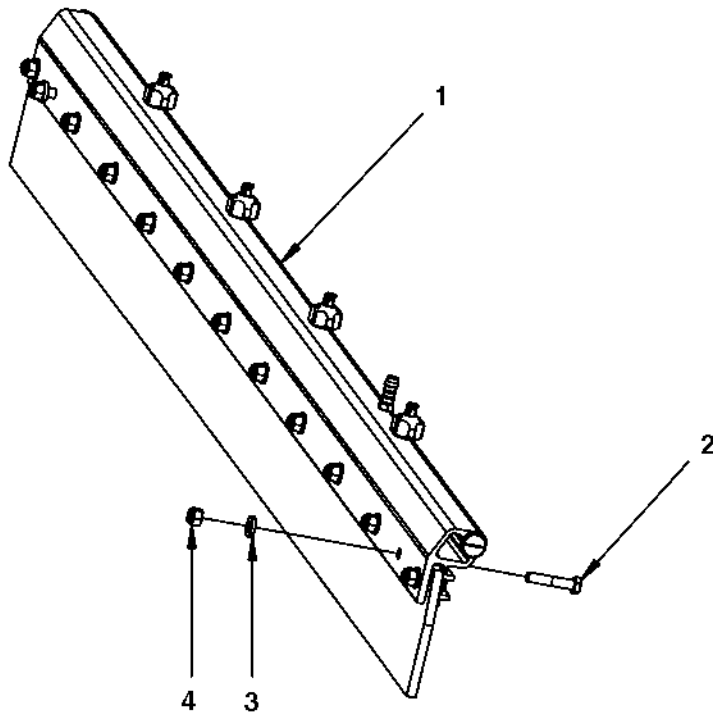


Scraper assy

Ref. No.	Part No.	Rem.	Qty	Description	Code
1	395113		1	Sprinkler pipe	
2	395114		1	Scraper blade	
3	500031		11	Screw	
4	904230		11	Washer	
5	586018		11	Lock nut	

Scraper module, with nozzles

391229D

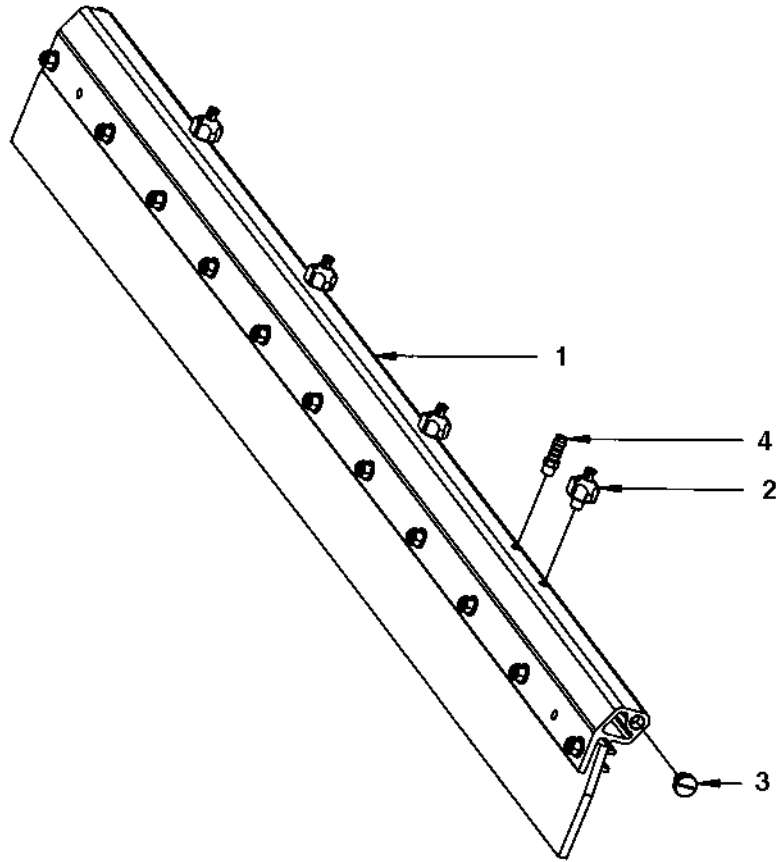


Scraper module, with nozzles

Ref. No.	Part No.	Rem.	Qty	Description	Code
1			1	Scraper assy with nozzles (Page 128)	
2	500091		2	Screw	
3	904557		2	Washer	
4	586018		2	Lock nut	

Scraper assy with nozzles

395252A

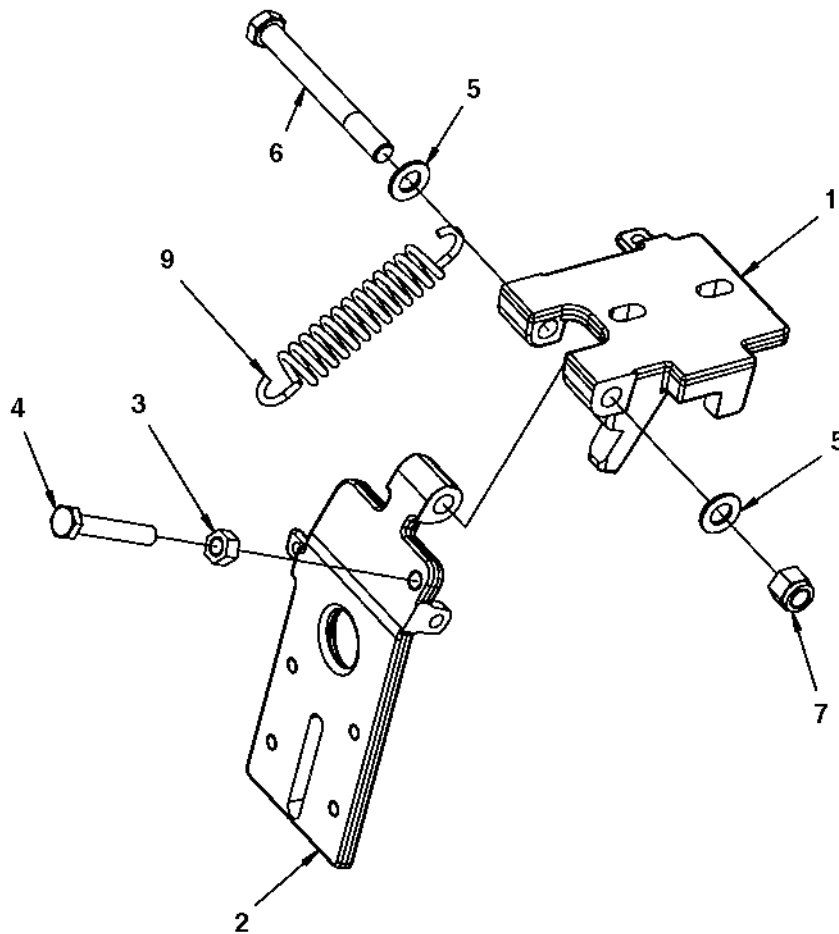


Scraper assy with nozzles

Ref. No.	Part No.	Rem.	Qty	Description	Code
1			1	Scraper assy (Page 124)	
2	392011		4	Spraying nozzle, cpl	
	392509		1	.Retainer, nozzle, strainer, yellow	0.8
	393697		1	..Nozzle and strainer, yellow	0.8
	390615	A	1	..Nozzle and strainer, blue	1.0
	390616	A	1	..Nozzle and strainer, red	1.2
	390619	A	1	..Nozzle and strainer, brown	1.3
3	792072		2	End plug	
4	791977		1	Hose connection	
A)	Option				

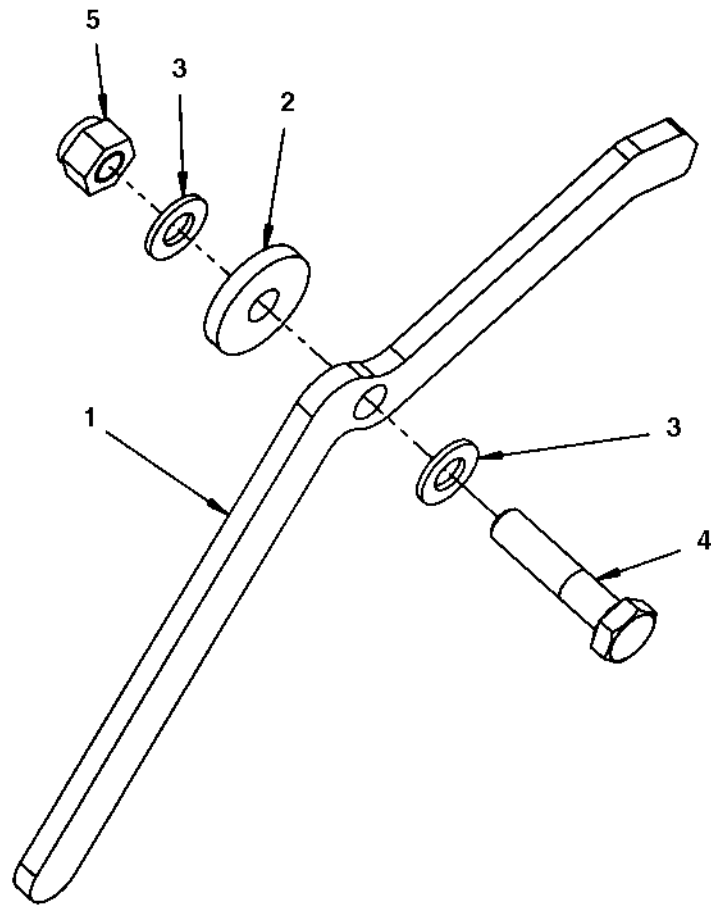
394340 Scraper bracket, cpl

394340



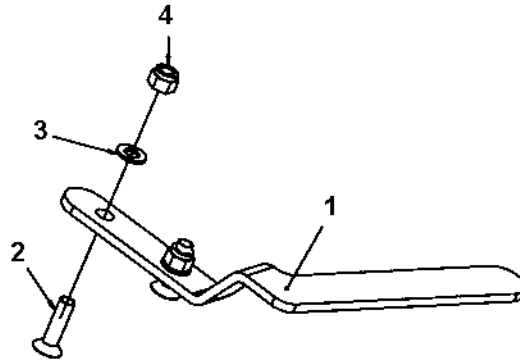
394340 Scraper bracket, cpl

Ref. No.	Part No.	Rem.	Qty	Description	Code
1			1	Scraper bracket	
2			1	Scraper bracket	
3	570006		1	Nut	
4	791082		1	Screw	
5	904231		2	Washer	
6	500198		1	Screw	
7	586019		1	Lock nut	
9	394806		1	Extension spring	



Grab handle, release

Ref. No.	Part No.	Rem.	Qty	Description	Code
1	393550		1	Grab handle	
2	904734		1	Washer	
3	904229		2	Washer	
4	500047		1	Screw	
5	586003		1	Lock nut	

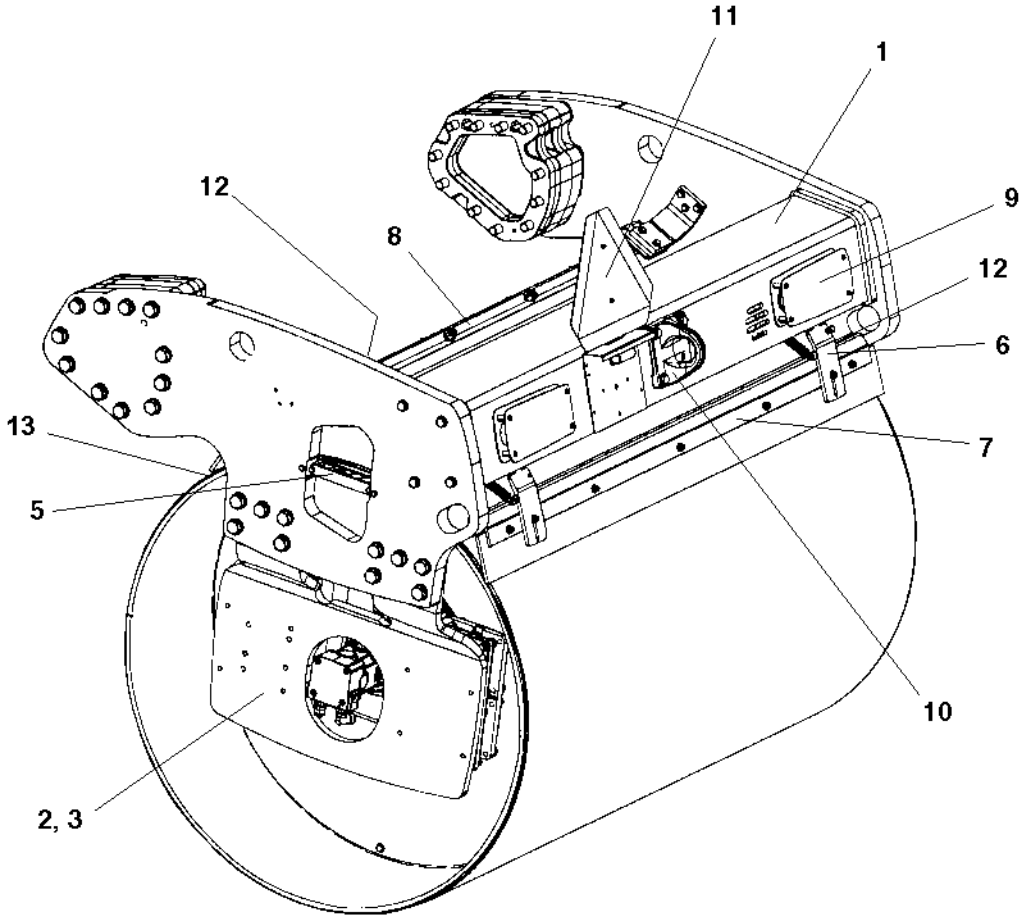


Grab handle, lift

Ref. No.	Part No.	Rem.	Qty	Description	Code
1	395390		1	Grab handle	
2	792540		2	Screw	
3	904229		2	Washer	
4	586003		2	Lock nut	

End frame, rear

AR0022

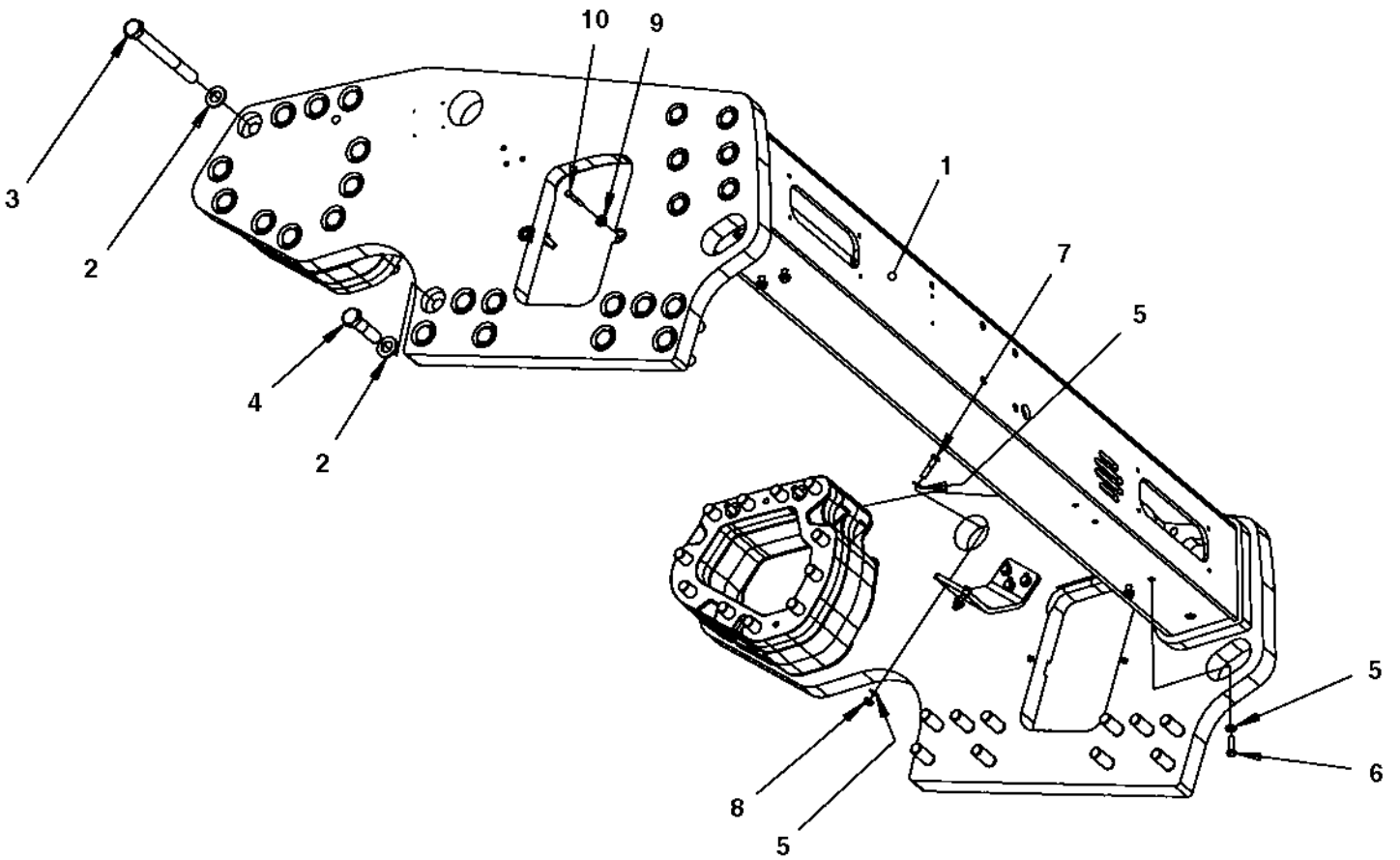


End frame, rear

Ref. No.	Part No.	Rem.	Qty	Description	Code
1			1	End frame, rear (Page 138)	
			1	End frame, rear offset (Page 140)	
2			1	Fork, vibration side (Page 104)	
3			1	Fork, propulsion side (Page 106)	
4			1	Step, vibration side (Page 114)	
			1	Step, propulsion side (Page 118)	
5			1	Hose clamp, propulsion side (Page 110)	
			1	Hose clamp, vibration side (Page 112)	
6	394340		2	Scraper bracket, cpl (Page 130)	
7			1	Scraper module, without nozzles (Page 122)	
8			1	Scraper module, with nozzles (Page 126)	
9			2	Cover plate (Page 108)	
10			1	Eyelet module (Page 150)	
			1	Eyelet module (Page 152)	
11			1	SMV-sign module (Page 154)	
12			2	Grab handle, release (Page 132)	
13			1	Grab handle, lift (Page 134)	
			1	Grab handle, lift offset	

End frame, rear

390056

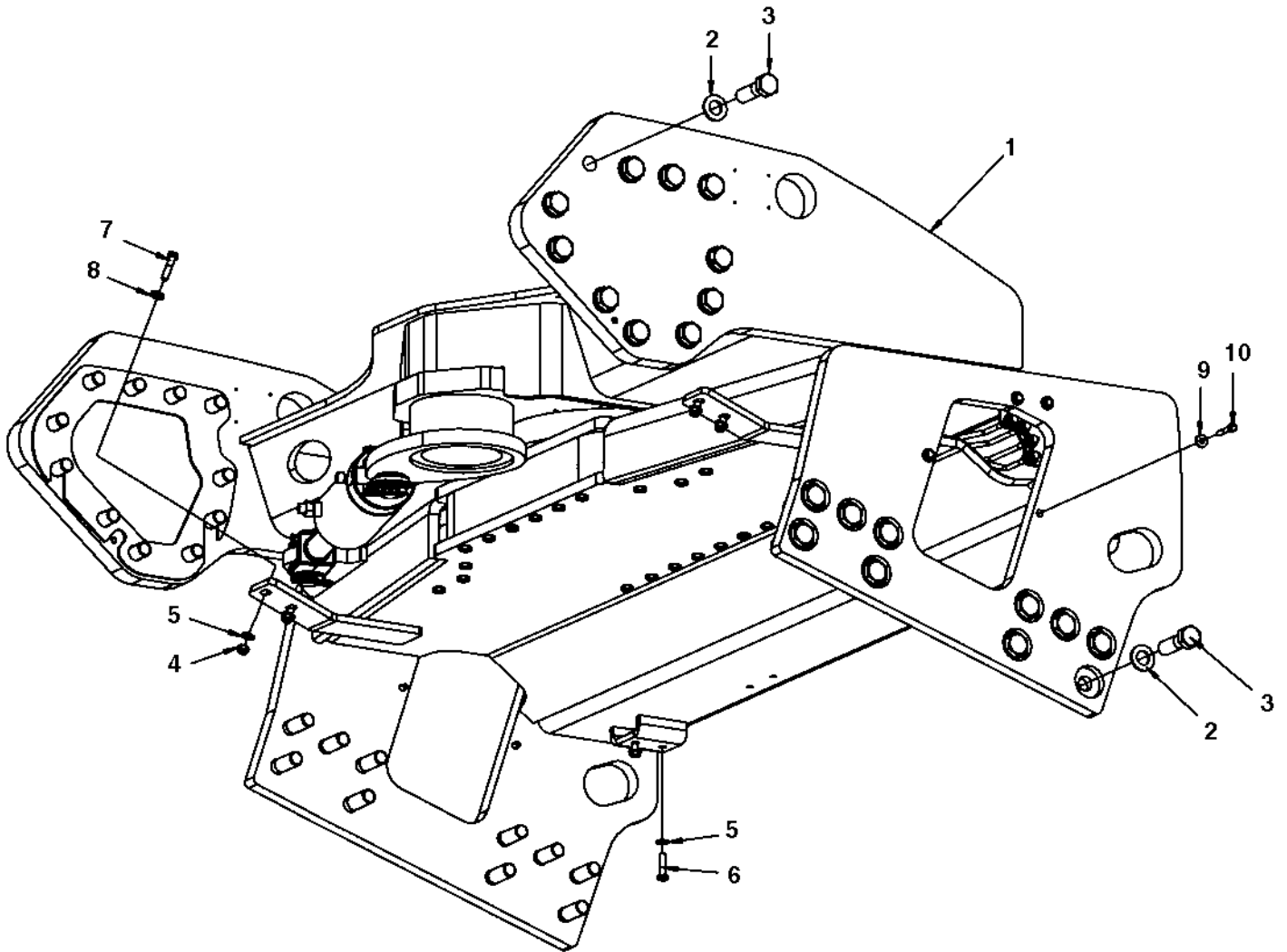


End frame, rear

Ref. No.	Part No.	Rem.	Qty	Description	Code
1			1	Frame (Page 102)	
2	904234		42	Washer	
3	792534		22	Screw	M24x230
4	500130		20	Screw	M24x90
5	904230		12	Washer	
6	500030		4	Screw	
7	500161		4	Screw	
8	791172		4	Lock nut	
9	904640		4	Washer	
10	500025		4	Screw	M8-1,25x50 8,8

End frame, rear offset

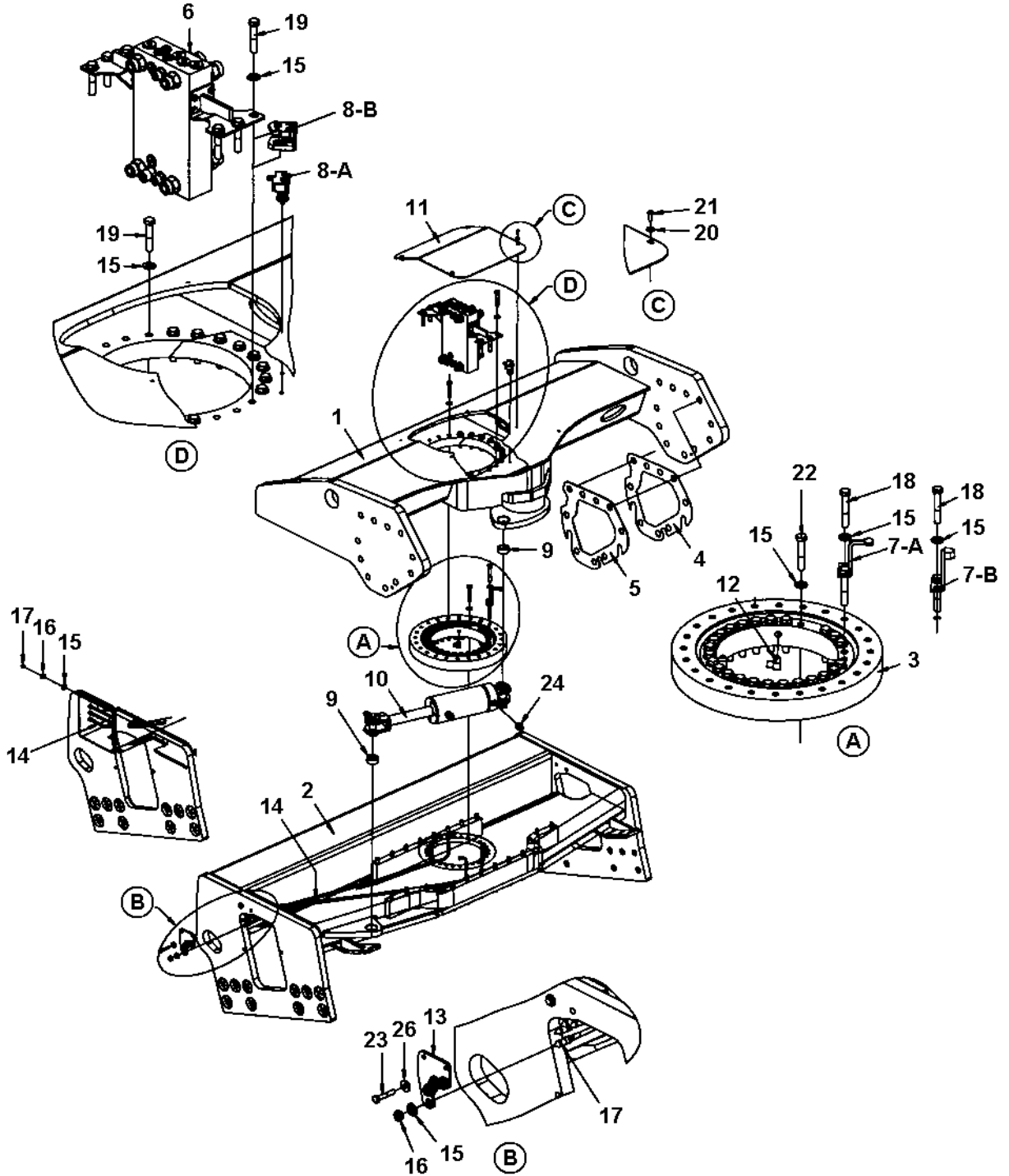
391620



End frame, rear offset

Ref. No.	Part No.	Rem.	Qty	Description	Code
1			1	Frame (Page 142)	
2	904234		42	Washer	
3	500297		42	Screw	M24x80
4	791172		4	Lock nut	
5	904230		8	Washer	
6	500031		4	Screw	
7	500161		4	Screw	
8	904557		4	Washer	
9	904640		4	Washer	
10	500023		4	Screw	M8-1,25x40 8,8

Frame
391619E

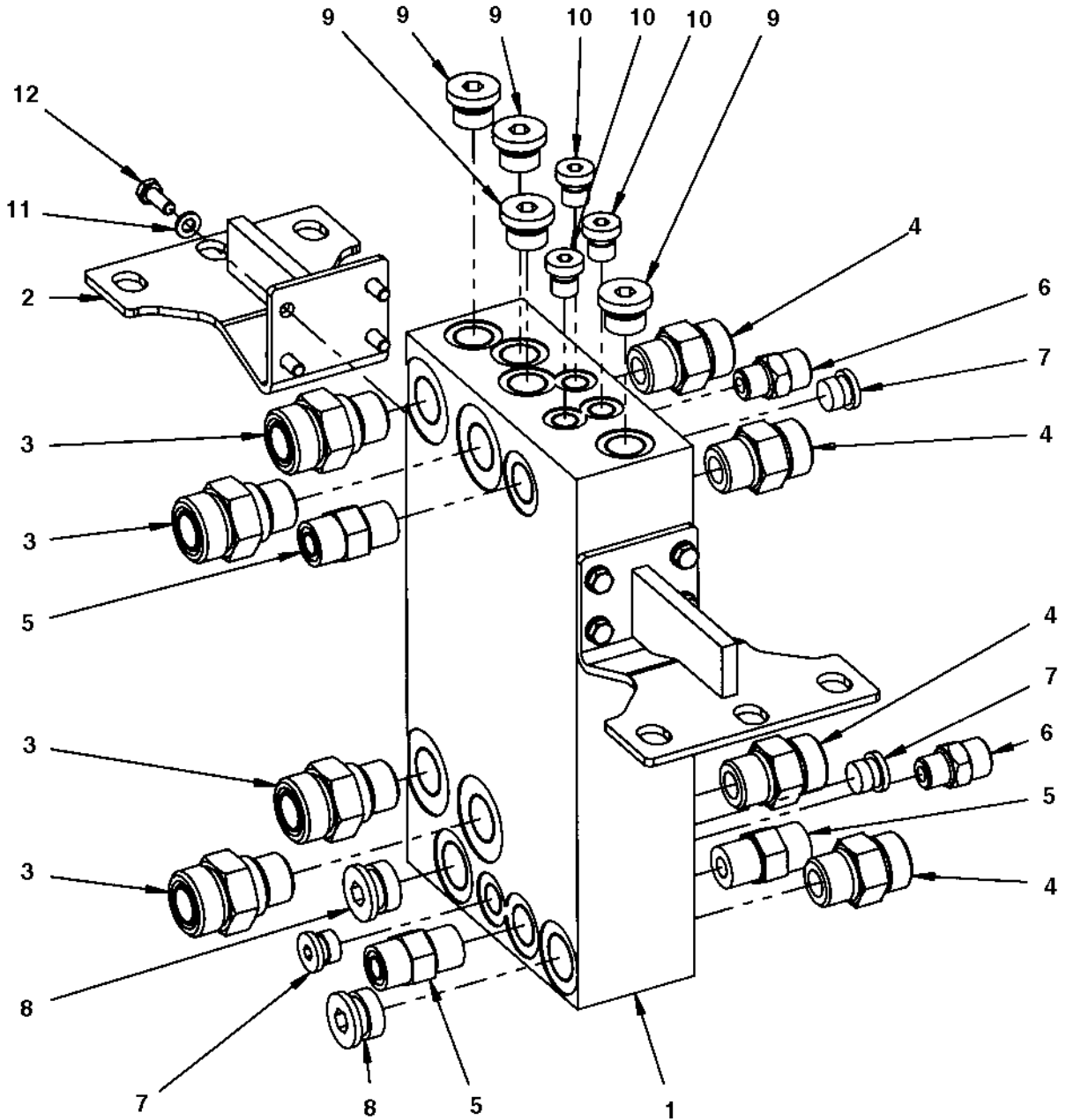


Frame

Ref. No.	Part No.	Rem.	Qty	Description	Code
1	391481		1	Frame	
2	391974		1	Yoke	
3	359192		1	Bearing	
4	390469		N	Shim	
5	390470		N	Shim	
6			1	Connection block (Page 144)	
7-B	395694		1	Cam	
8-B			1	Micro switch (Page 146)	
9	391430		2	Bearing	D
10	391024		1	Steering cylinder (Page 148)	
11	379987		1	Cover	
12	373183		4	Elbow 90	
13	392112		1	Bracket	
14	393345		4	Hydraulic hose	
15	904231		55	Washer	
16	903831		4	Nut	
17	926214		4	Grease fitting	D
18	903735		2	Screw	
19	500175		24	Screw	
20	603001		4	Washer	
21	904206		4	Screw	
22	947712		25	Screw	
23	500024		2	Screw	M8x45
24	792337		2	Straight connector orfs	
26	904640		2	Washer	

Connection block

390921

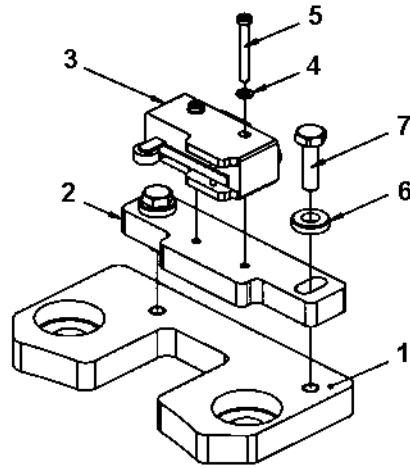


Connection block

Ref. No.	Part No.	Rem.	Qty	Description	Code
1	390463		1	Connection block	
2	391889		2	Bracket	
3	791539		4	Straight connector	
4	791743		4	Straight connector orfs	
5	791799		3	Straight connector orfs	
6	791409		2	Straight connector orfs	
7	792362		3	Steel plug	
8	792296		2	Steel plug	
9	792295		4	Steel plug	
10	904951		3	Plug	
11	904228		8	Washer	
12	500013		8	Screw	

Micro switch

395695

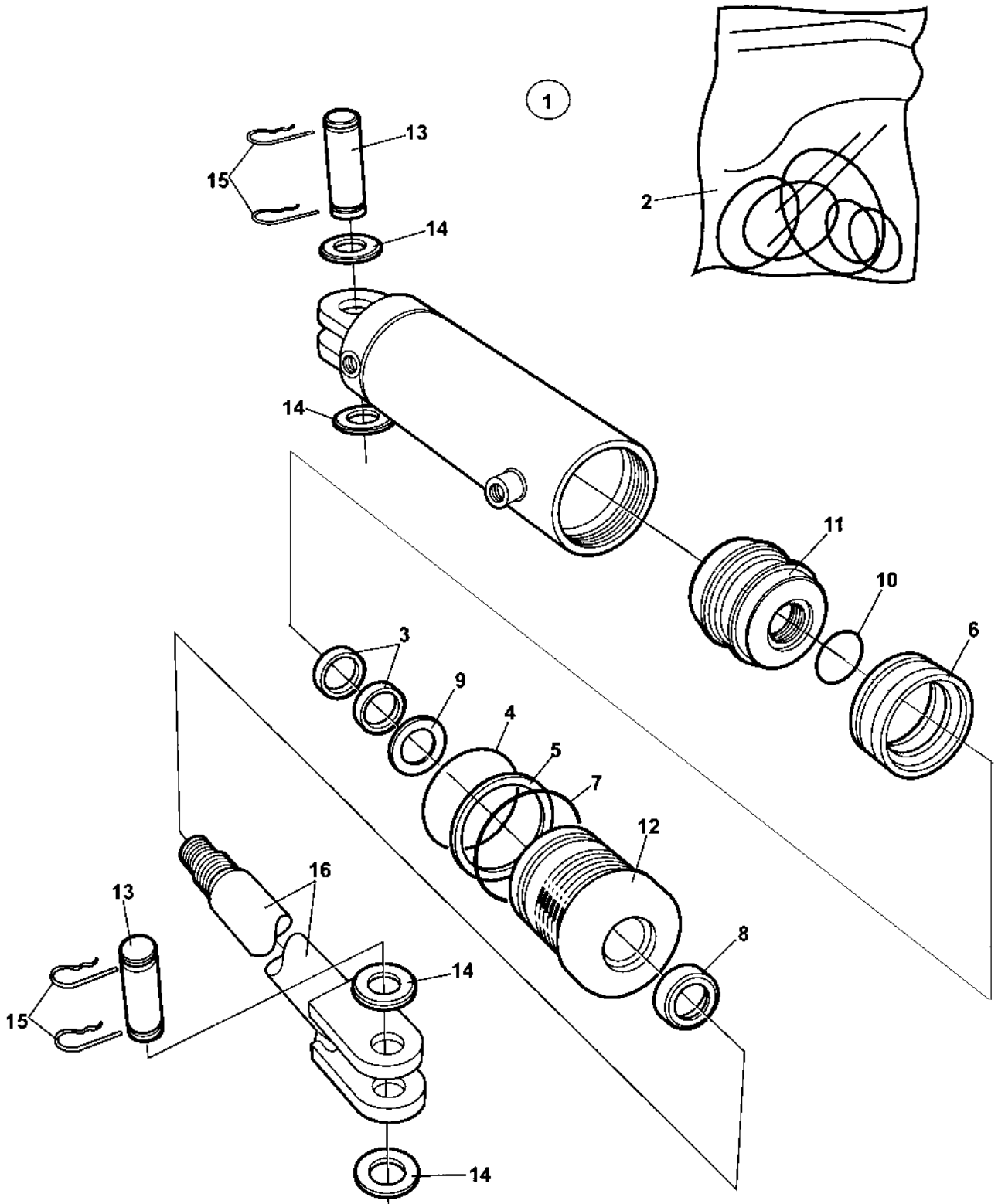


Micro switch

Ref. No.	Part No.	Rem.	Qty	Description	Code
1	396179		1	Bracket	
2	395696		1	Holder plate	
3	930046		1	Micro switch	D
4	904697		2	Washer	
5	533050		2	Screw	
6	603001		2	Washer	
7	500040		2	Screw	

391024 Steering cylinder

18811

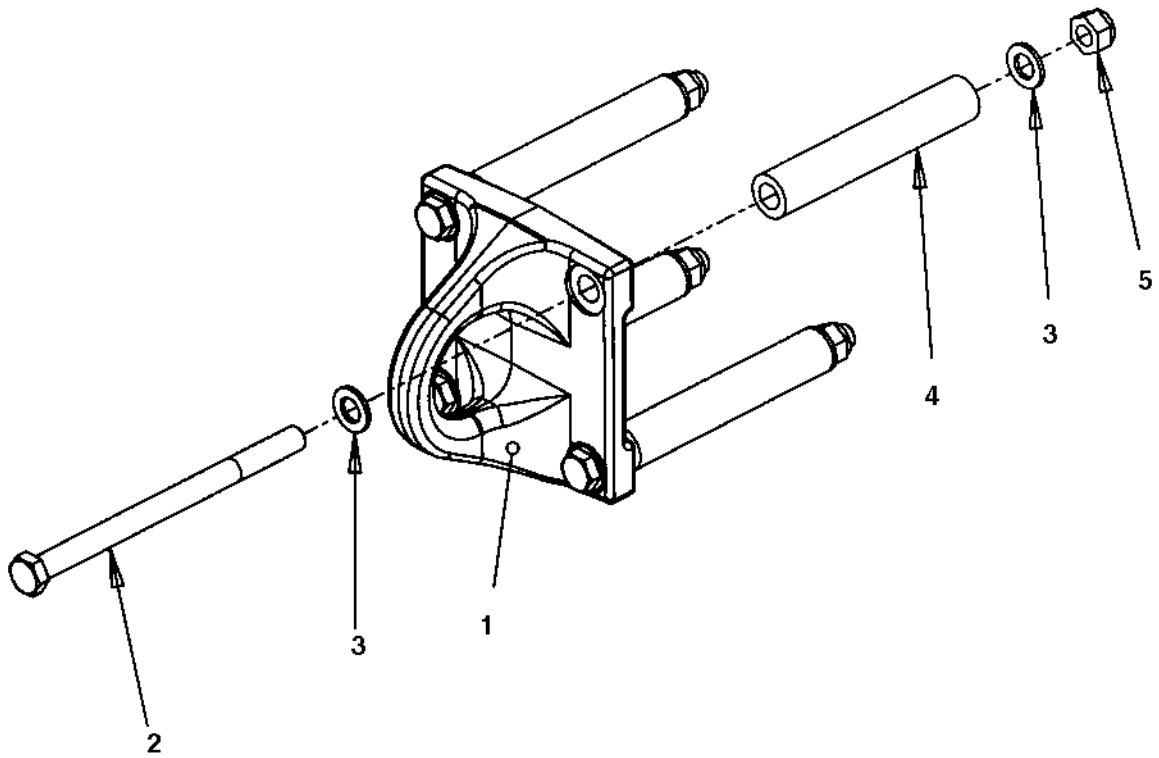


391024 Steering cylinder

Ref. No.	Part No.	Rem.	Qty	Description	Code
1	391024		1	Steering cylinder (Page 148)	
2	950417		1	.Seal kit	
3			2	..Seal	
4			1	..O-ring	
5			1	..Back-up ring	
6			1	..Seal	
7			1	..O-ring	
8			1	..Seal	
9			1	..Seal	
10			1	..O-ring	
11			1	.Piston block	
12			1	.Steering	
13	950222		2	.Shaft	
14			4	.Washer	
15	635061		4	.Hair clip	D
16			1	.Piston rod	D
17			1	.Cylinder	D

Eyelet module

390651

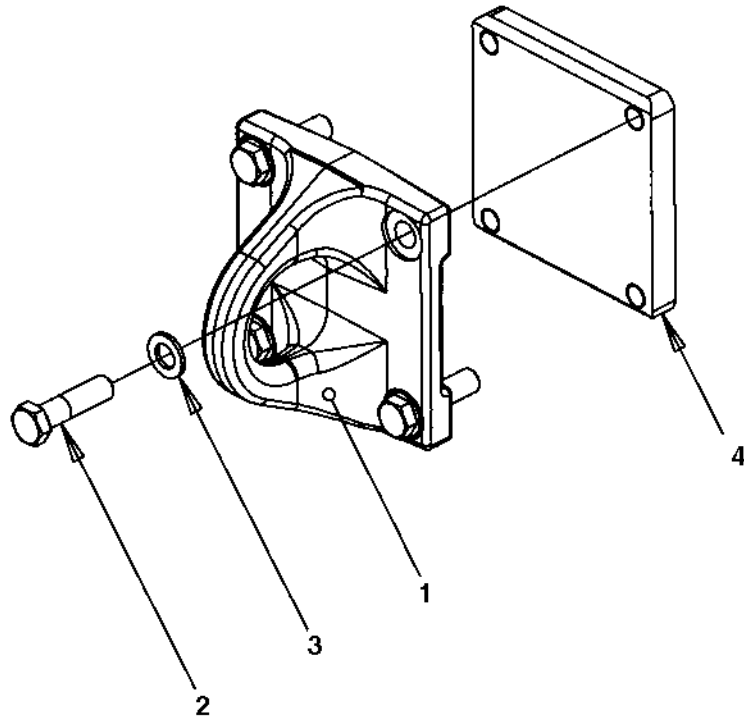


Eyelet module

Ref. No.	Part No.	Rem.	Qty	Description	Code
1	390080		1	Eyelet	
2	904330		4	Screw	
3	904232		8	Washer	
4	390652		4	Spacer sleeve	
5	902297		4	Lock nut	

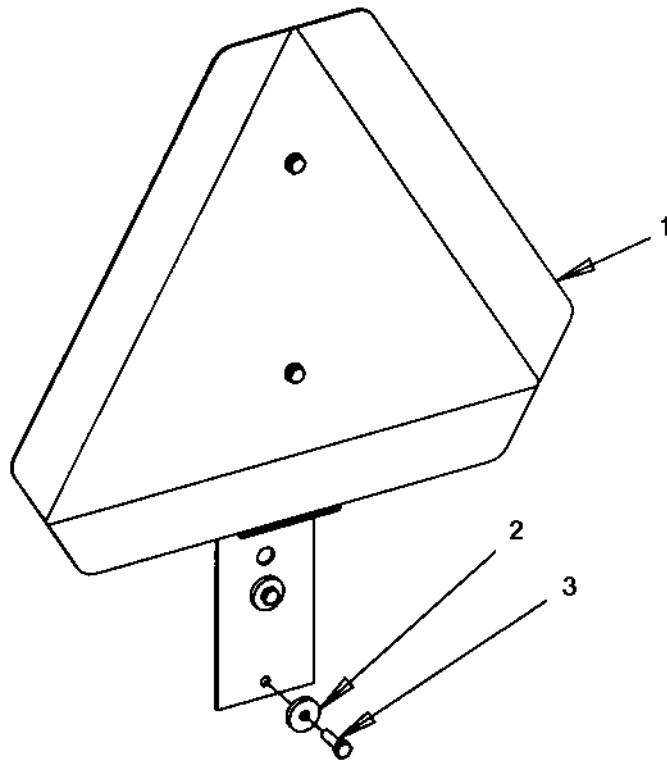
Eyelet module

392464



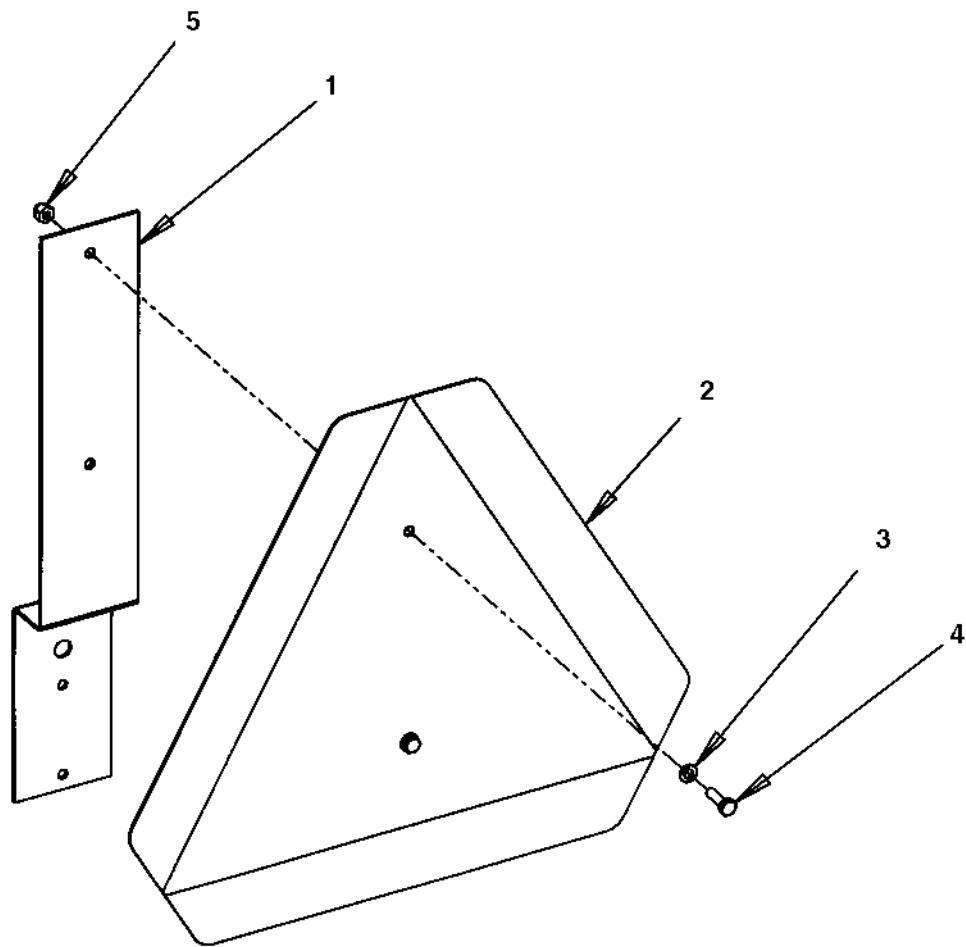
Eyelet module

Ref. No.	Part No.	Rem. Qty	Description	Code
1	390080	1	Eyelet	
2	500134	4	Screw	
3	904232	4	Washer	
4	390072	1	Holder plate	



SMV-sign module

Ref. No.	Part No.	Rem.	Qty	Description	Code
1			1	SMV-sign (Page 156)	
2	904735		2	Washer	
3	500040		2	Screw	



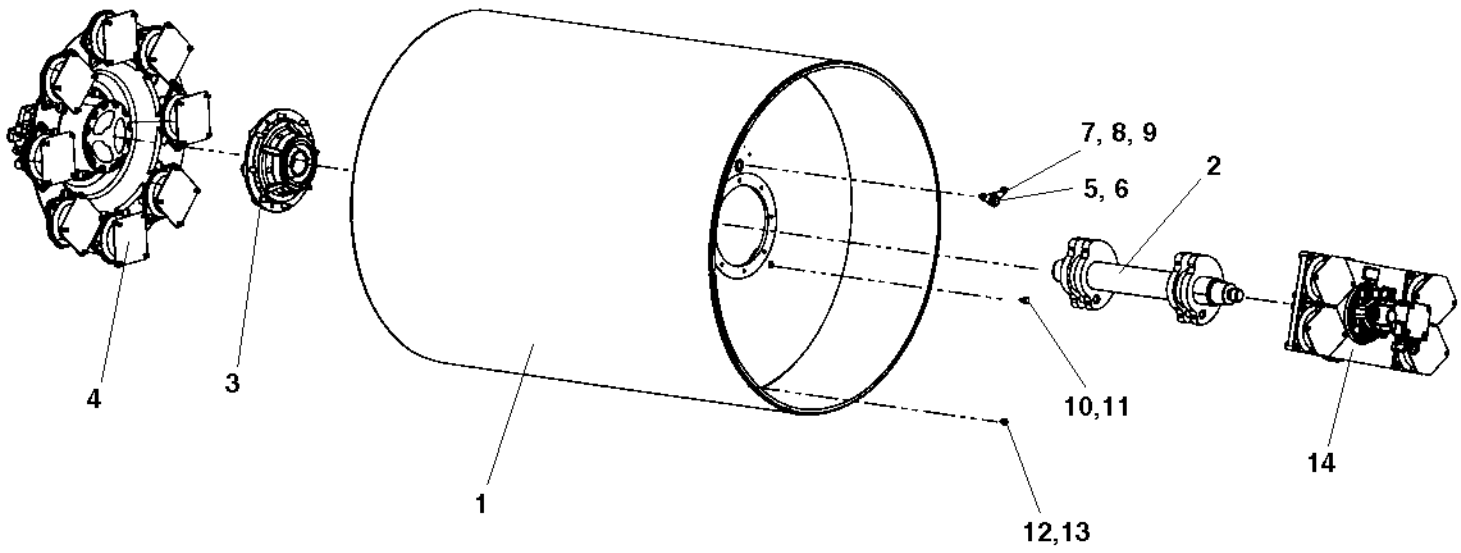
SMV-sign

Ref. No.	Part No.	Rem.	Qty	Description	Code
1	392291		1	Holder	
2	476019		1	SMV sign	D
3	904228		2	Washer	
4	500040		2	Screw	
5	586002		2	Lock nut	

Drum

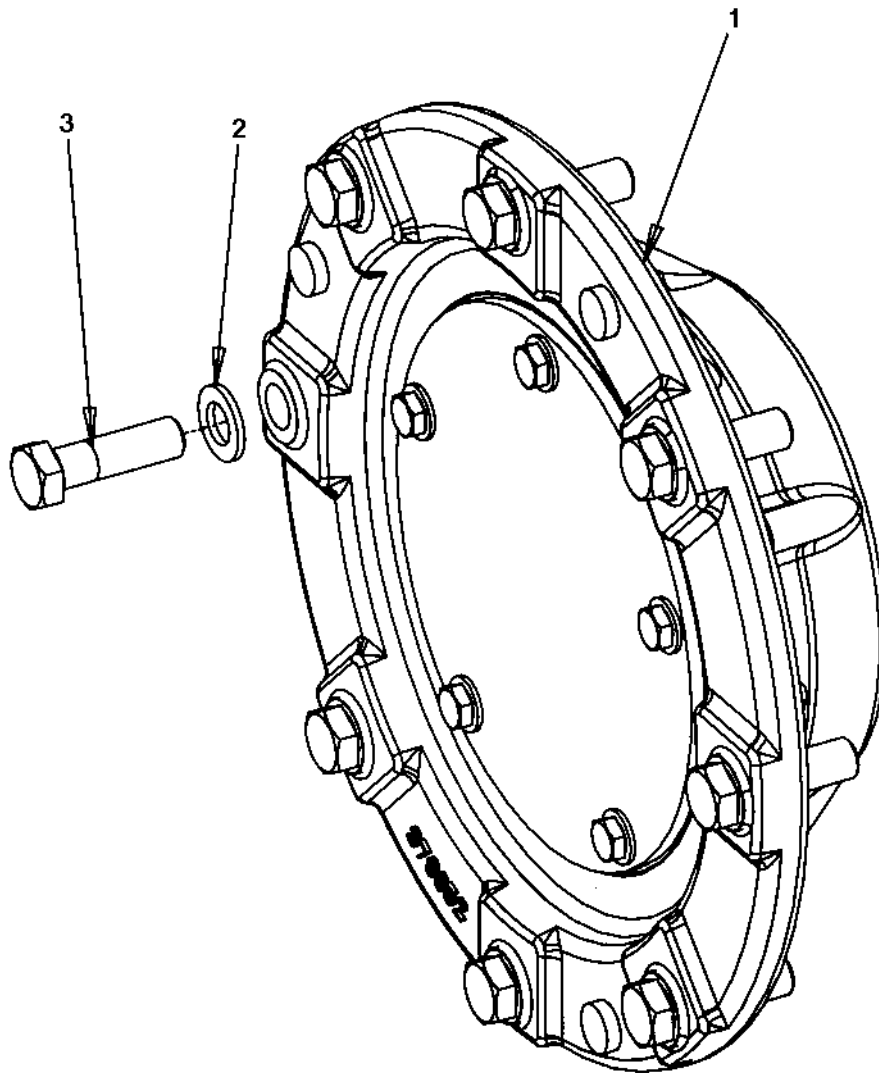
Ref. No.	Part No.	Rem.	Qty	Description	Code
1			2	Drum (Page 160)	

Drum
DRUM



Drum

Ref. No.	Part No.	Rem.	Qty	Description	Code
1	379749		1	Drum	
2	391106		1	Eccentric shaft	
	391109		1	Eccentric shaft	CE
3			1	Drum bearing module (Page 162)	
4			1	Propulsion motor module (Page 166)	
5	343744		1	Magnetic plug	D
6	162017		1	Seal ring	D
7	359955		1	Drop plate	
8	904229		2	Washer	
9	500019		2	Screw	
10	344196		1	Plug	M12 D
11	162027		1	Sealing	D
12	500163		1	Screw	M12x16
13	904231		1	Washer	
14			1	Vibration motor module (Page 172)	

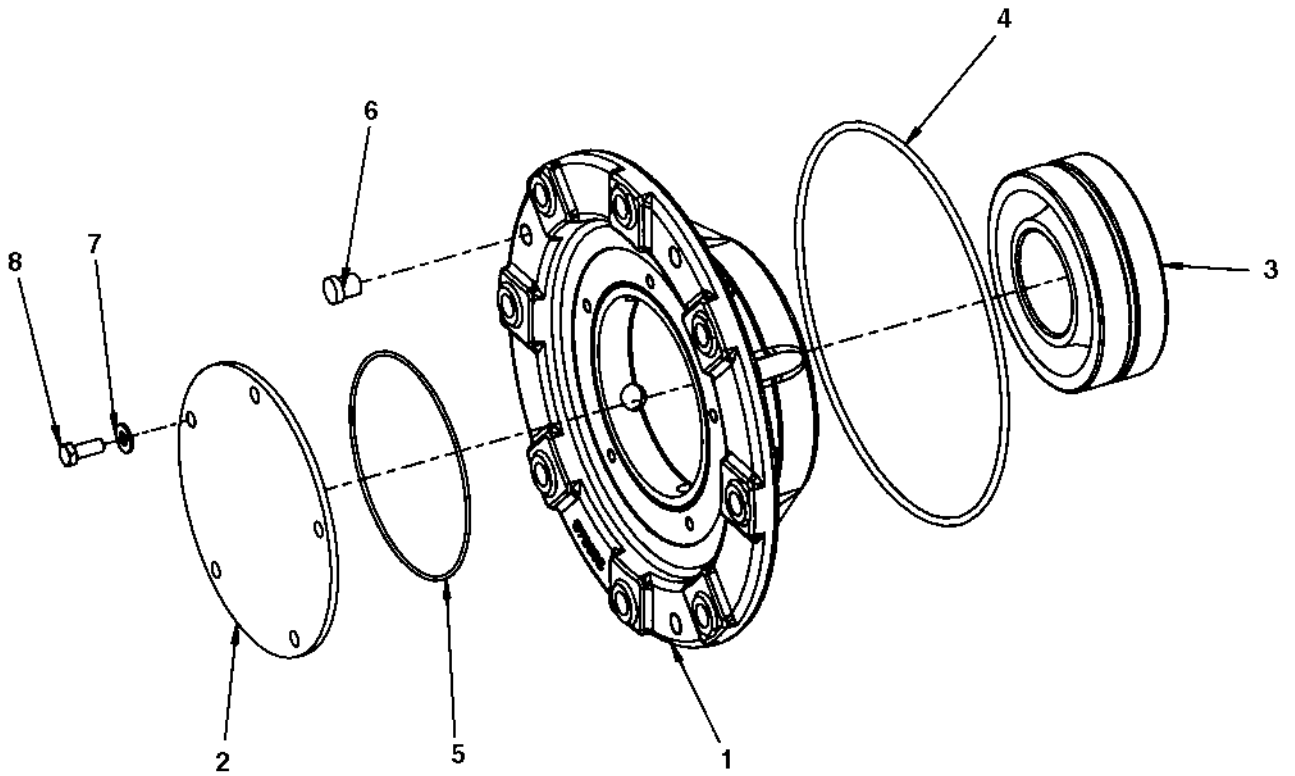


Drum bearing module

Ref. No.	Part No.	Rem.	Qty	Description	Code
1			1	Drum bearing (Page 164)	
2	904232		8	Washer	
3	500070		8	Screw	M16x50

Drum bearing

392167

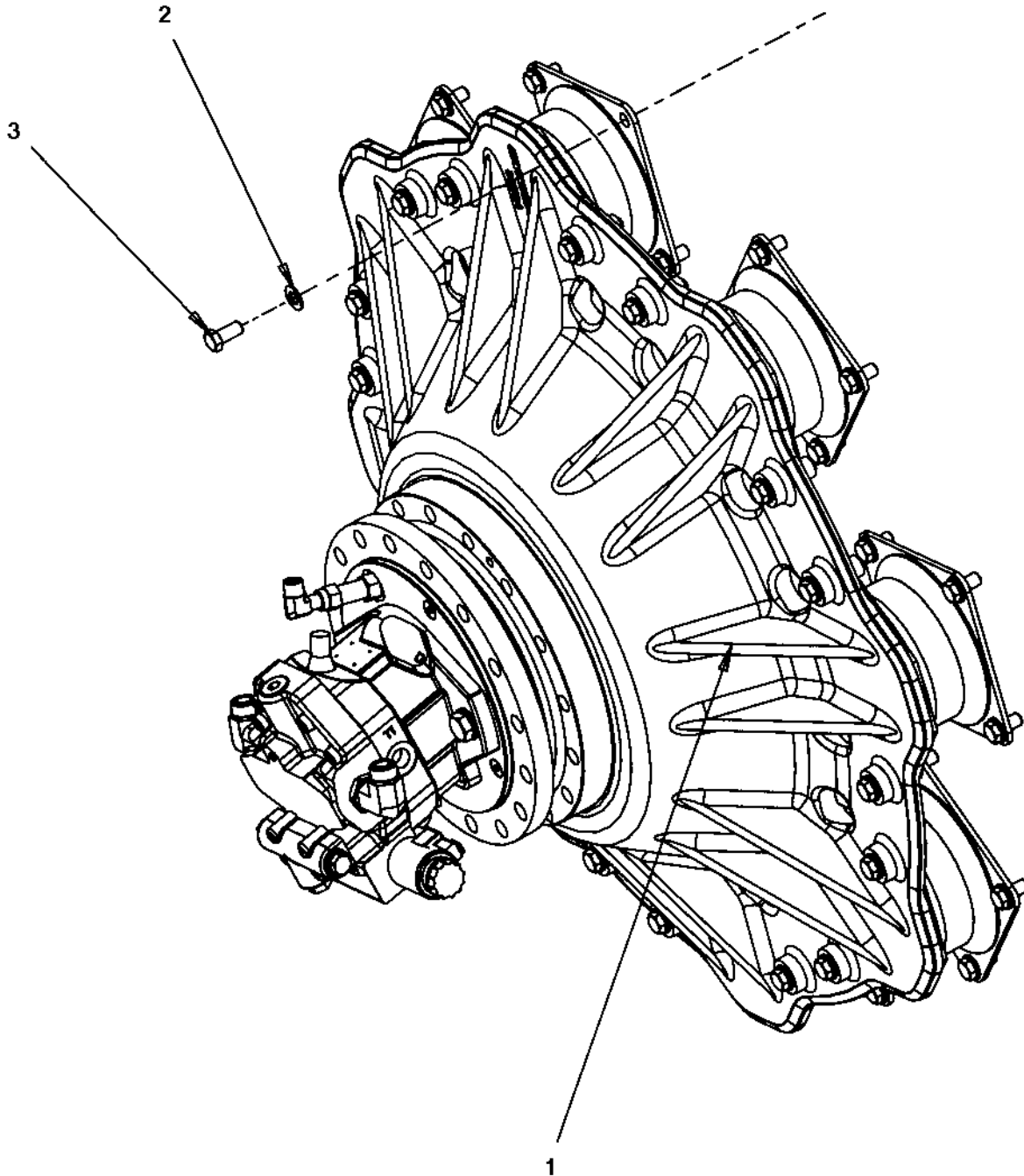


Drum bearing

Ref. No.	Part No.	Rem. Qty	Description	Code
1	379652	1	Bearing housing	
2	391029	1	Cover	
3	792270	1	Spherical roller bearing	D
4	160344	1	O-ring 70	D
5	160045	1	O-ring 70	
6	900775	3	Plug	
7	904230	5	Washer	
8	500028	5	Screw	

Propulsion motor module

379802

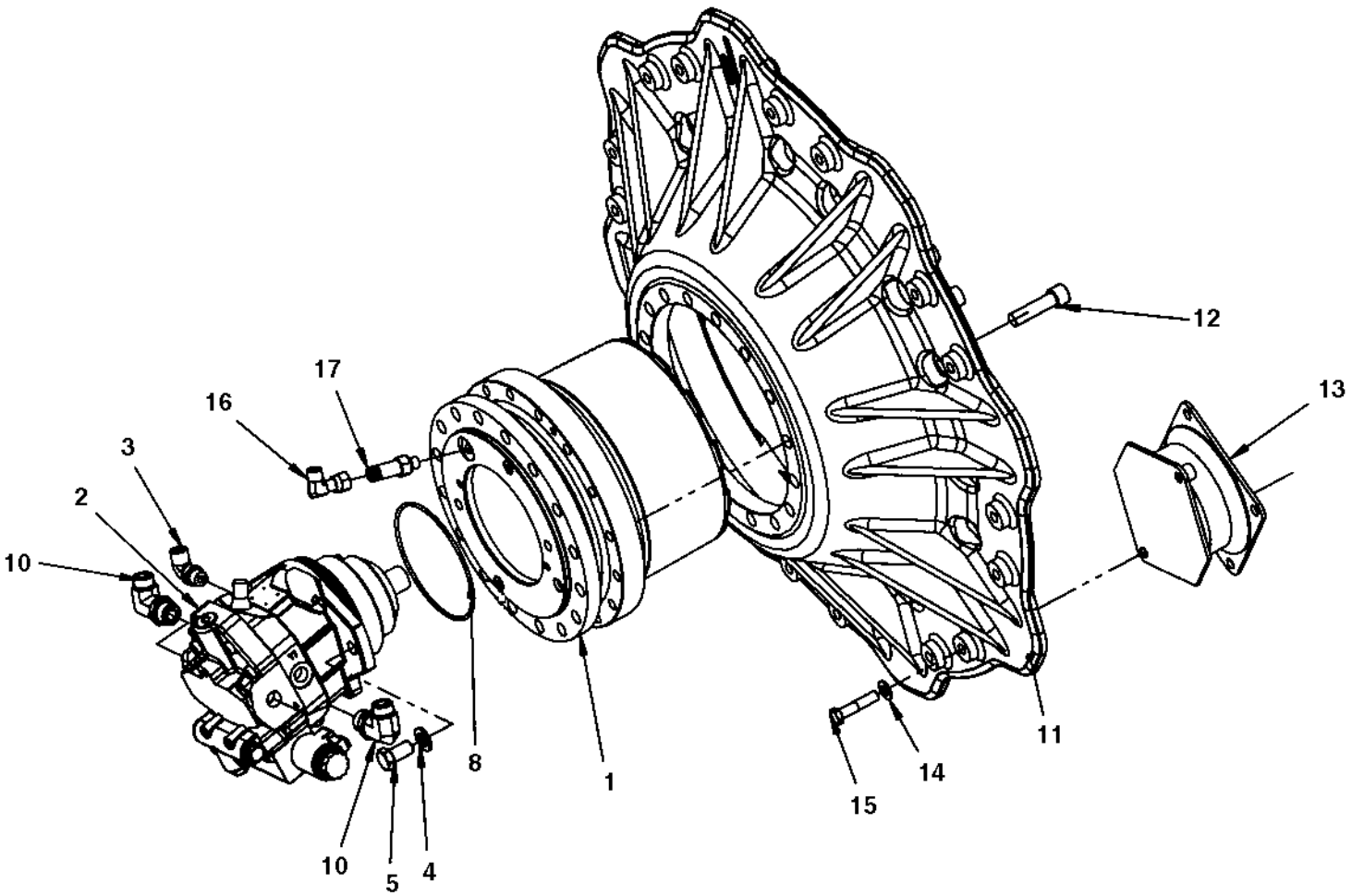


Propulsion motor module

Ref. No.	Part No.	Rem.	Qty	Description	Code
1			1	Drive unit (Page 168)	
2	904231		32	Washer	
3	500051		32	Screw	

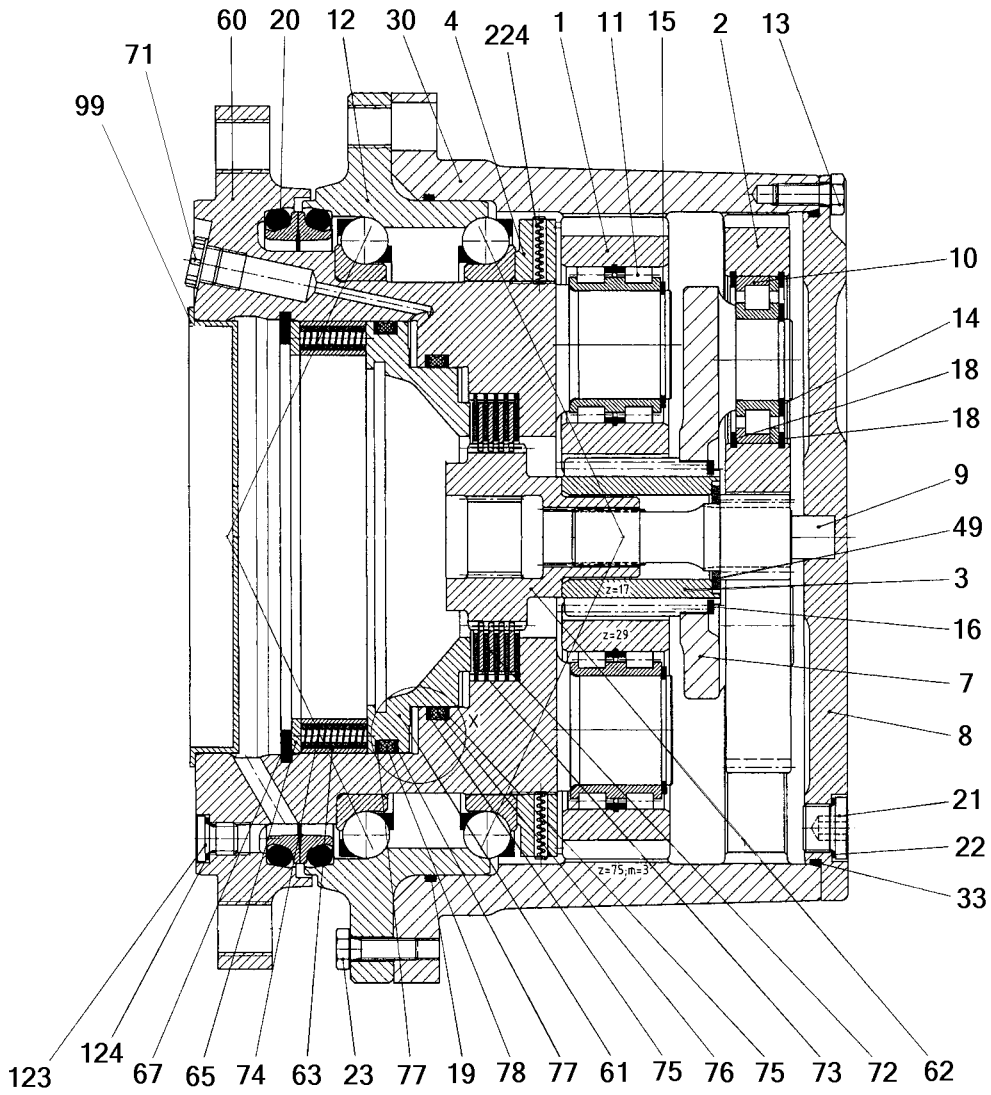
Drive unit

392150



Drive unit

Ref. No.	Part No.	Rem.	Qty	Description	Code
1	390604		1	Drum gear (Page 170)	C
2	390603		1	Hydraulic motor	C
3	792151		1	Elbow adapter 90	
4	904232		2	Washer	
5	500057		2	Screw	M16-2x30 8,8
8	160227		1	O-ring	D
10	792331		2	Elbow 90 orfs	
11	391724		1	Drive disc	
12	792506		16	Screw	
13	394250		8	Shock absorber	B
14	904231		16	Washer	
15	925519		16	Screw	
16	791401		1	Elbow 90, O-ring with swivel	
17	792507		1	Straight connector orfs	

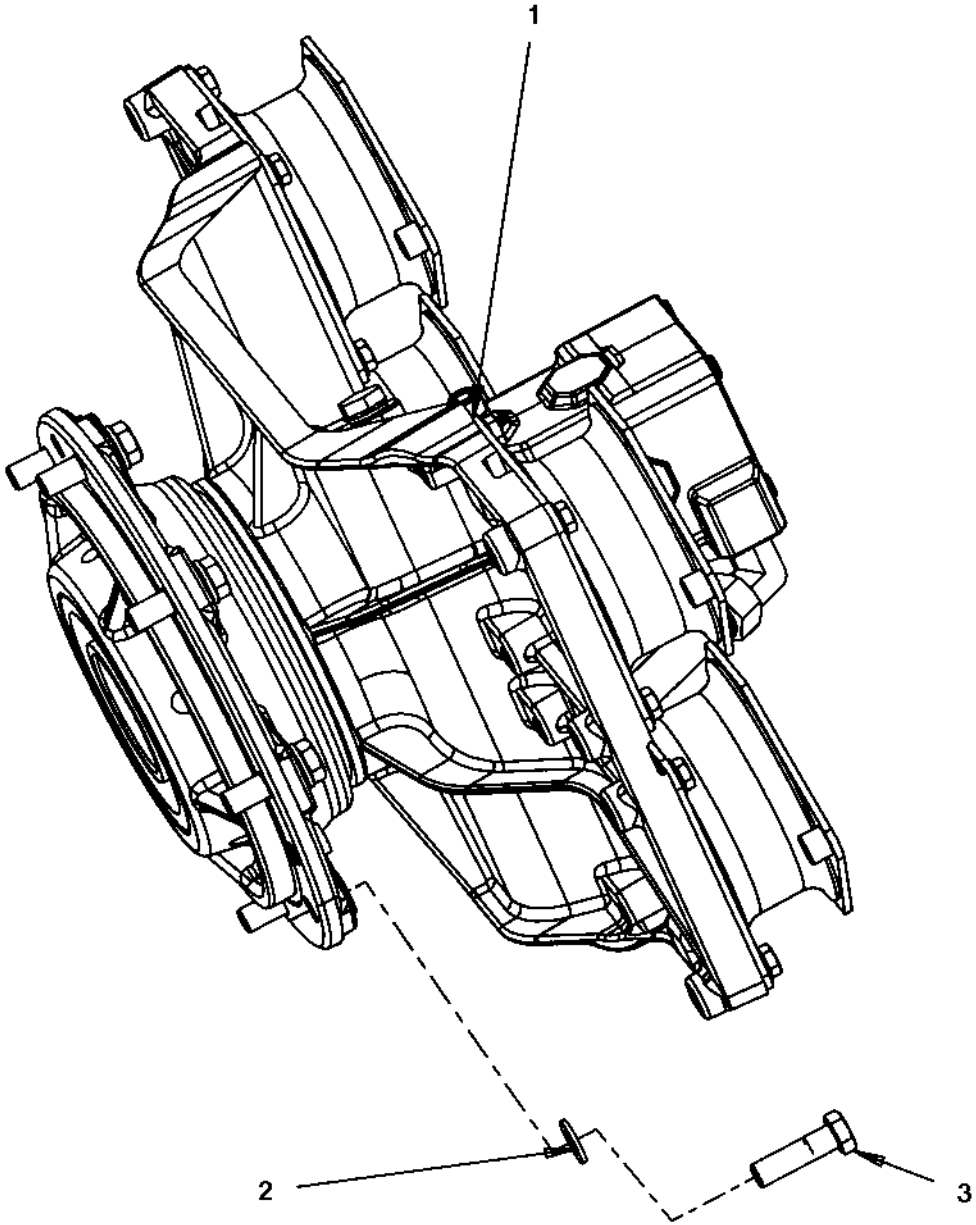


390604 Drum gear

Ref. No.	Part No.	Rem.	Qty	Description	Code
	390604		1	Drum gear (Page 170)	C
1			4	.Planet gear	C
2			3	.Planet gear	C
3			1	.Sun gear	C
4			1	.Shaft nut	C
7			1	.Planet carrier	C
8			1	.Cover	C
9			1	.Cylindrical roller	C
10	950520		3	.Cylindrical roller bearing	
11	950521		4	.Cylindrical roller bearing	
12	950522		1	.Ball bearing	
13			12	.Screw	
14			3	.Snap ring	
15			4	.Snap ring	
16			1	.Snap ring	
18			6	.Snap ring	
19	950523		1	.O-ring	
20	950524		1	.Seal	
21	950525		2	.Plug	
22	950492		2	.Seal ring	
23			2	.Screw	
30			1	.Ring gear	
33	950526		1	.O-ring	
44			1	.Sun gear shaft	
49			1	.Drum flange	
60			1	.Spindle	
61			1	.Piston	
62			1	.Coupler	
63			1	.Spacer	
65			1	.Disc	
67			1	.Snap ring	
71	950495		1	.Plug	
72	950527		4	.Inner disc	
73	950528		5	.Outer disc	
74			28	.Pressure spring	
75	950529		2	.Supporting ring	
76			1	.Supporting ring	
77	950531		2	.Supporting ring	
78	950532		1	.Piston seal	
99			1	.Plug	
123	950533		3	.Plug	
124	950534		3	.Seal ring	
224			2	.Spring dowel sleeve	

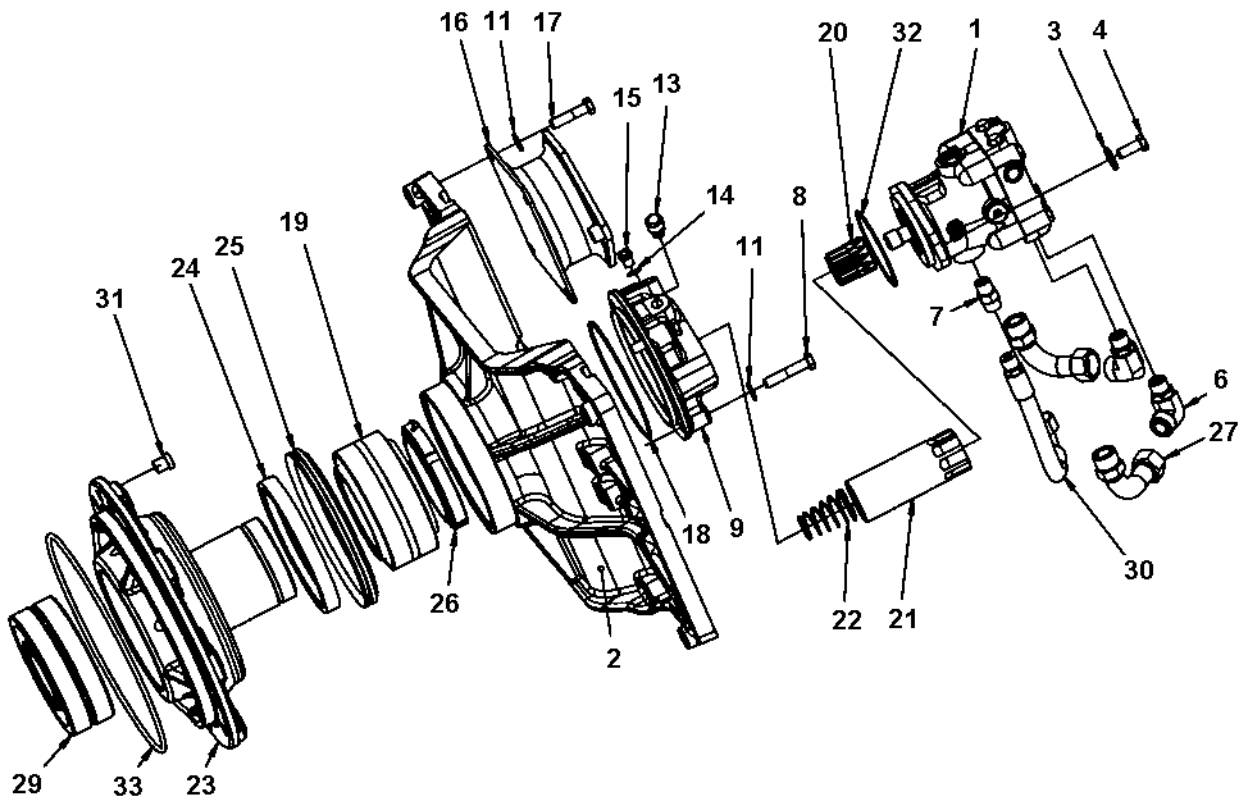
Vibration motor module

379803



Vibration motor module

Ref. No.	Part No.	Rem.	Qty	Description	Code
1			1	Vibrating unit (Page 174)	Sauer
2	904232		8	Washer	
3	500070		8	Screw	M16x50



Vibrating unit Sauer

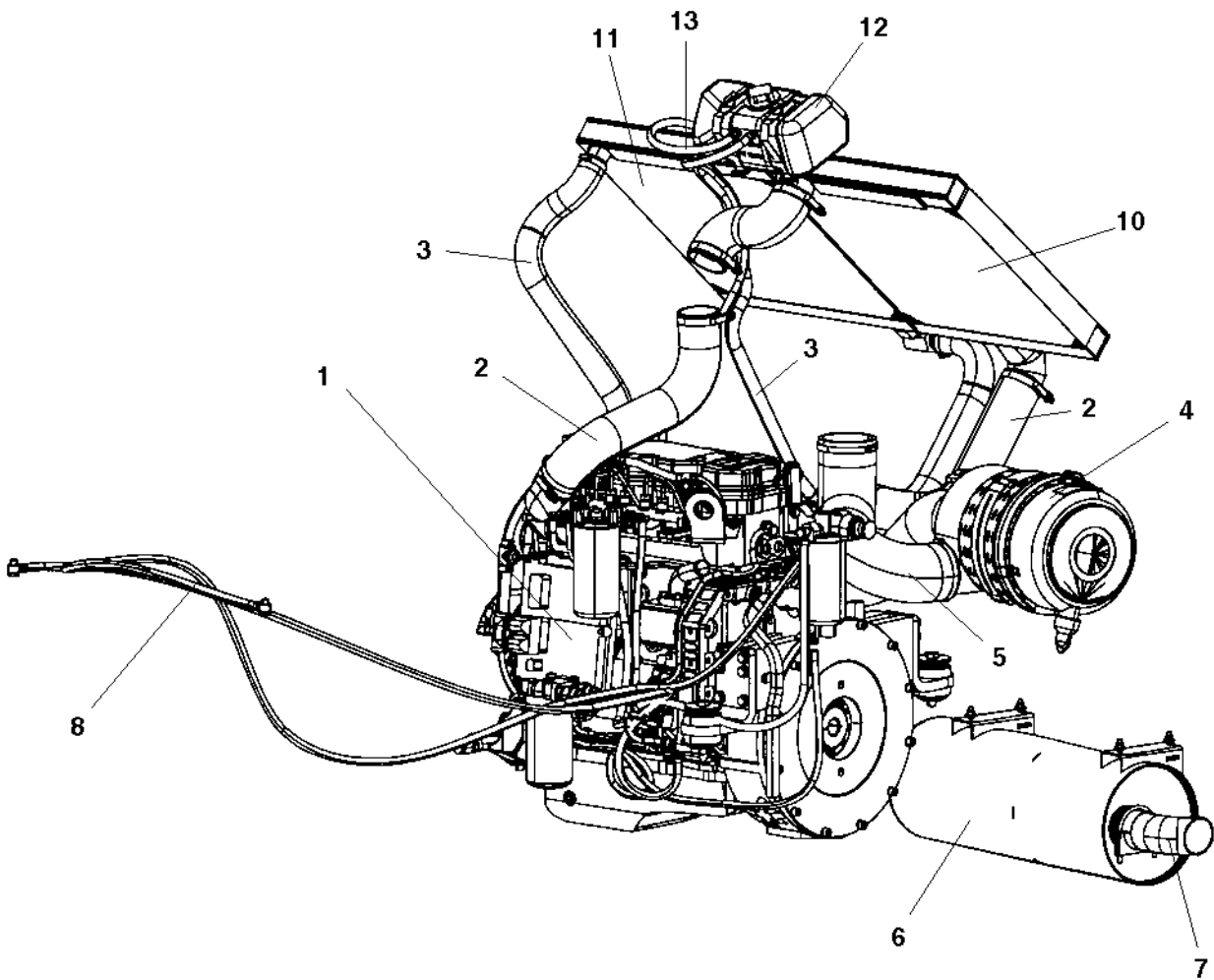
Ref. No.	Part No.	Rem.	Qty	Description	Code
1	395915		1	Hydraulic motor	
2	392364		1	Holder plate	
3	904213		2	Washer	
4	500046		2	Screw	
6	792746		2	Connector elbow 90 orfs	
7	791799		1	Straight connector orfs	
8	500049		4	Screw	
9	390160		1	Motor adapter	
11	904231		20	Washer	
13	926736		1	Breather	B
14	162027		1	Sealing	D
15	903726		1	Steel plug threaded	
16	394251		4	Shock absorber	
17	500195		16	Screw	
18	160105		1	O-ring 70	D
19	116041		1	Taper roller bearing	D
20	340862		1	Splined sleeve	
21	381027		1	Splined sleeve	
22	349715		1	Spring	
23	379650		1	Drum bearing housing	
24	386272		1	Sealing	D
25	929447		1	V-ring	D
26	390897		1	Shaft nut	
27	392748		2	Connector	
29	792270		1	Spherical roller bearing	D
30	484271		1	Hydraulic hose	
31	900775		3	Plug	
32	160279		1	O-ring	D
33	160344		1	O-ring 70	D

Engine

Ref. No.	Part No.	Rem.	Qty	Description	Code
8				Engine room (Page 178)	

Engine room

AR040

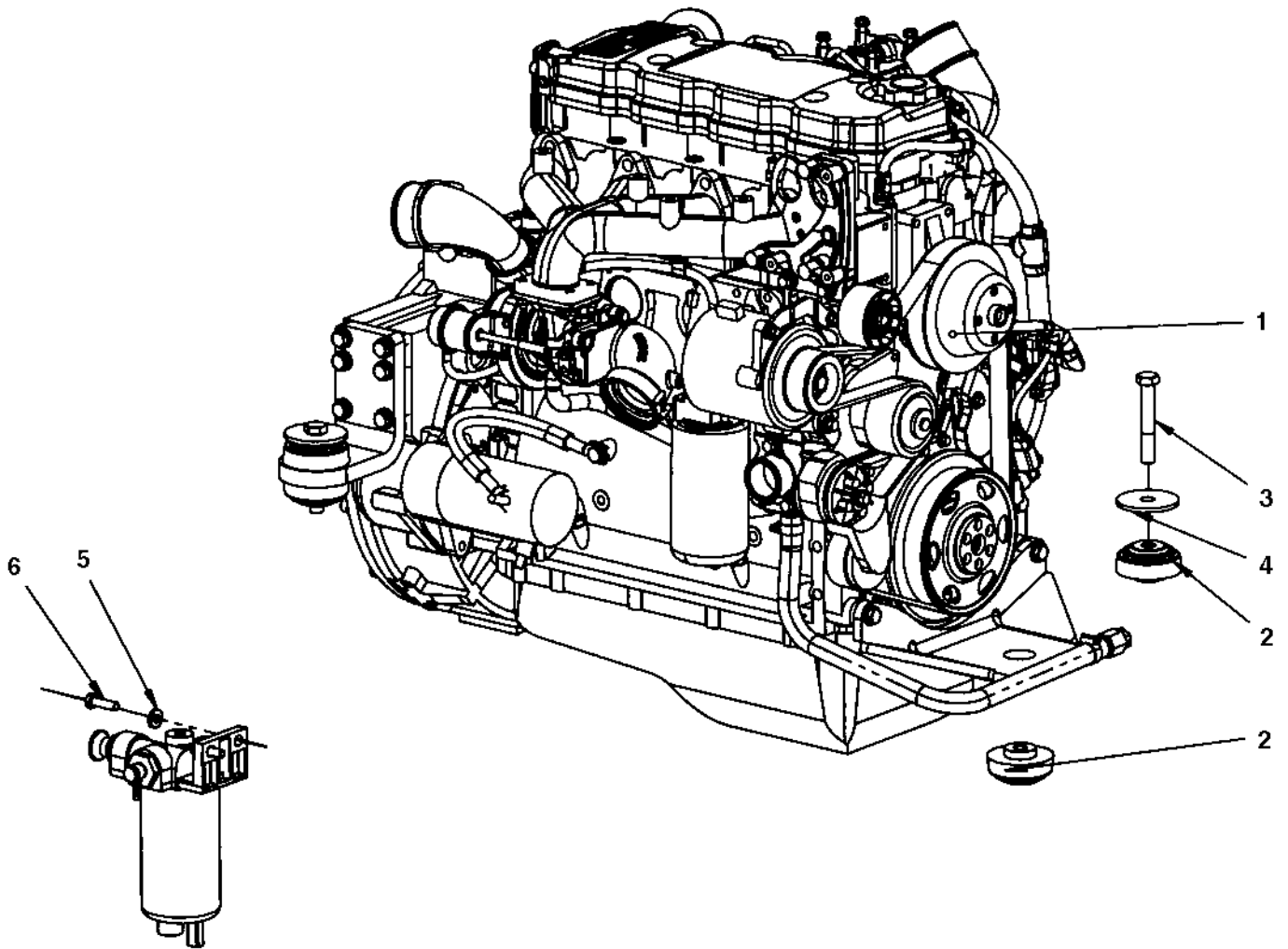


Engine room

Ref. No.	Part No.	Rem.	Qty	Description	Code
1				Engine (Page 180)	
2				Air cooler hoses (Page 190)	
3				Water cooler hoses (Page 192)	
4				Air cleaner module (Page 194)	
5				Air cleaner hose module (Page 196)	
6				Muffler (Page 198)	
7				Exhaust pipe module (Page 200)	
8				Fuel hose module (Page 202)	
10				Charge air cooler (Page 204)	
11				Water cooler (Page 206)	
12				Expansion tank assembly (Page 210)	
13				Coolant hoses (Page 214)	

Engine

394502

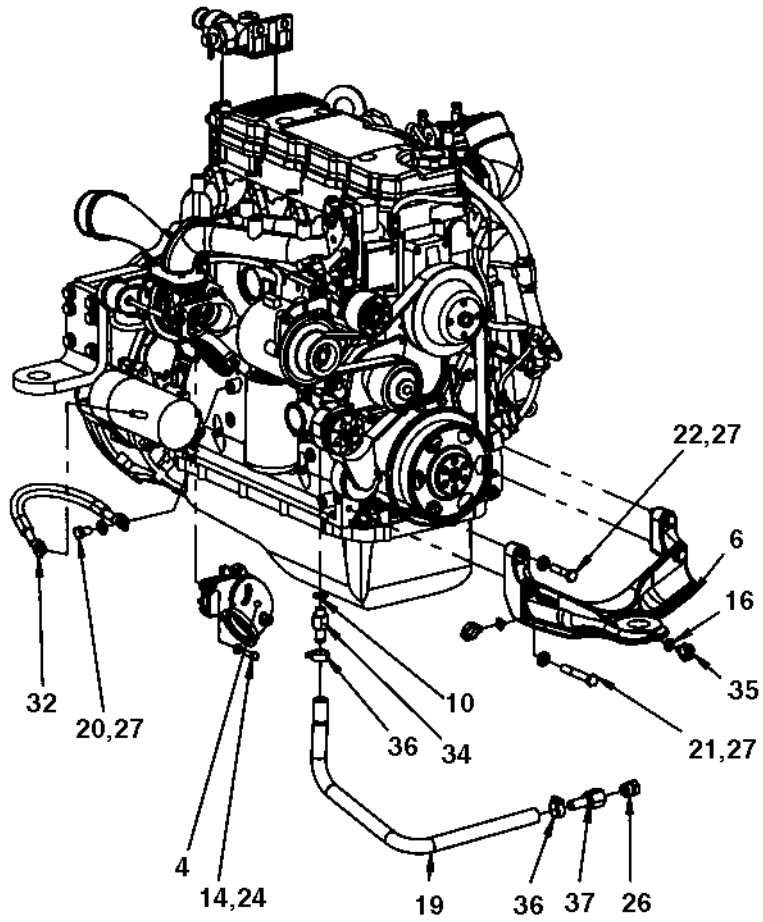
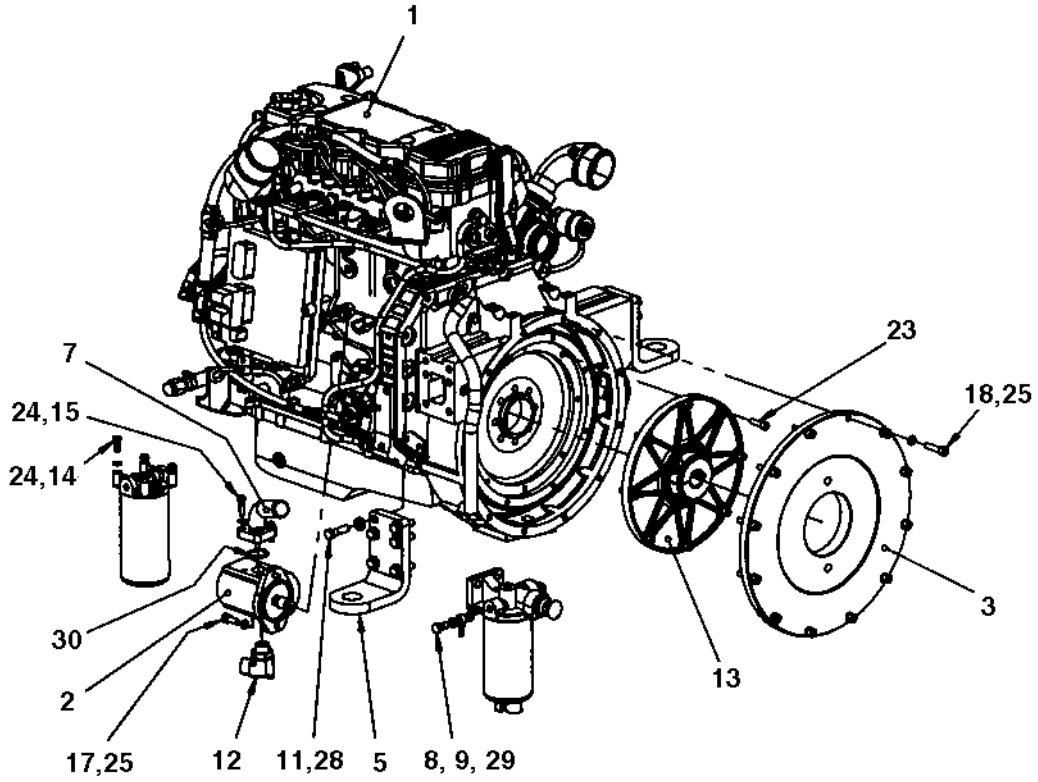


Engine

Ref. No.	Part No.	Rem. Qty	Description	Code
1		1	Engine module (Page 182)	
2	391165	6	Shock absorber	
3	500107	3	Screw	
4	345666	3	Steel spacer	
5	904557	2	Washer	
6	500030	2	Screw	

Engine module

394505



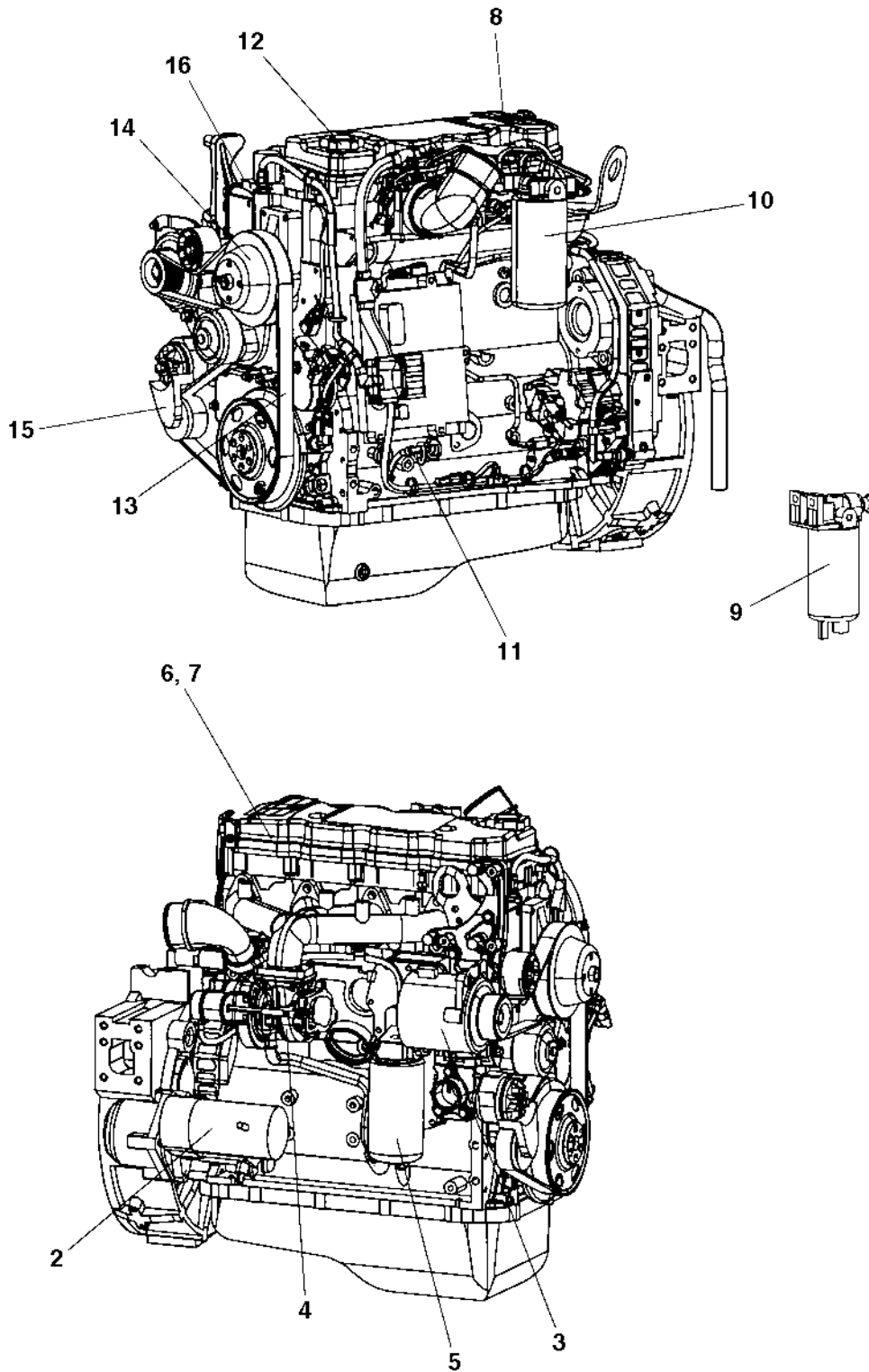
Engine module

Ref. No.	Part No.	Rem.	Qty	Description	Code
1	390832		1	Diesel engine (Page 184)	82kW
	390831		1	Diesel engine (Page 186)	93kW
	379624		1	Diesel engine (Page 188)	113kW
2	391020		1	Hydraulic pump	
3	394169		1	Pump bracket	
4	390618		1	Exhaust connection	
5	390233		2	Engine bracket	
6	393592		1	Engine bracket	
7	390018		1	Suction pipe	
8	792603		2	Quick connect coupling	
9	500049		2	Screw	
10	162011		1	Washer, sealing	D
11	500056		8	Screw	
12	791698		1	Elbow 90, O-ring with swivel	
13	391358		1	Coupling	
14	500021		8	Screw	
15	508048		4	Screw	
17	508096		2	Screw	
18	508080		12	Screw	
19	205112	A	1XL	Coolant hose	
20	500035		1	Screw	M12x020H
21	500197		2	Screw	12x90
23	509025		8	Screw	3/8-16UNCx32 8,8
24	904229		12	Washer	
25	904637		14	Washer	
26	232231		1	Plug	
27	904231		5	Washer	
28	904703		8	Washer	
30	813429		1	O-ring	
32	335607		1	Connection cable, coarse	
34	391303		1	Hose connection	
35	792418		2	Wiring clip	
36	313004		2	Hose clamp	
37	792502		1	Hose connection	
38	394322		1	Gasket	

A) L=0,6 m

390832 Diesel engine 82kW

390832

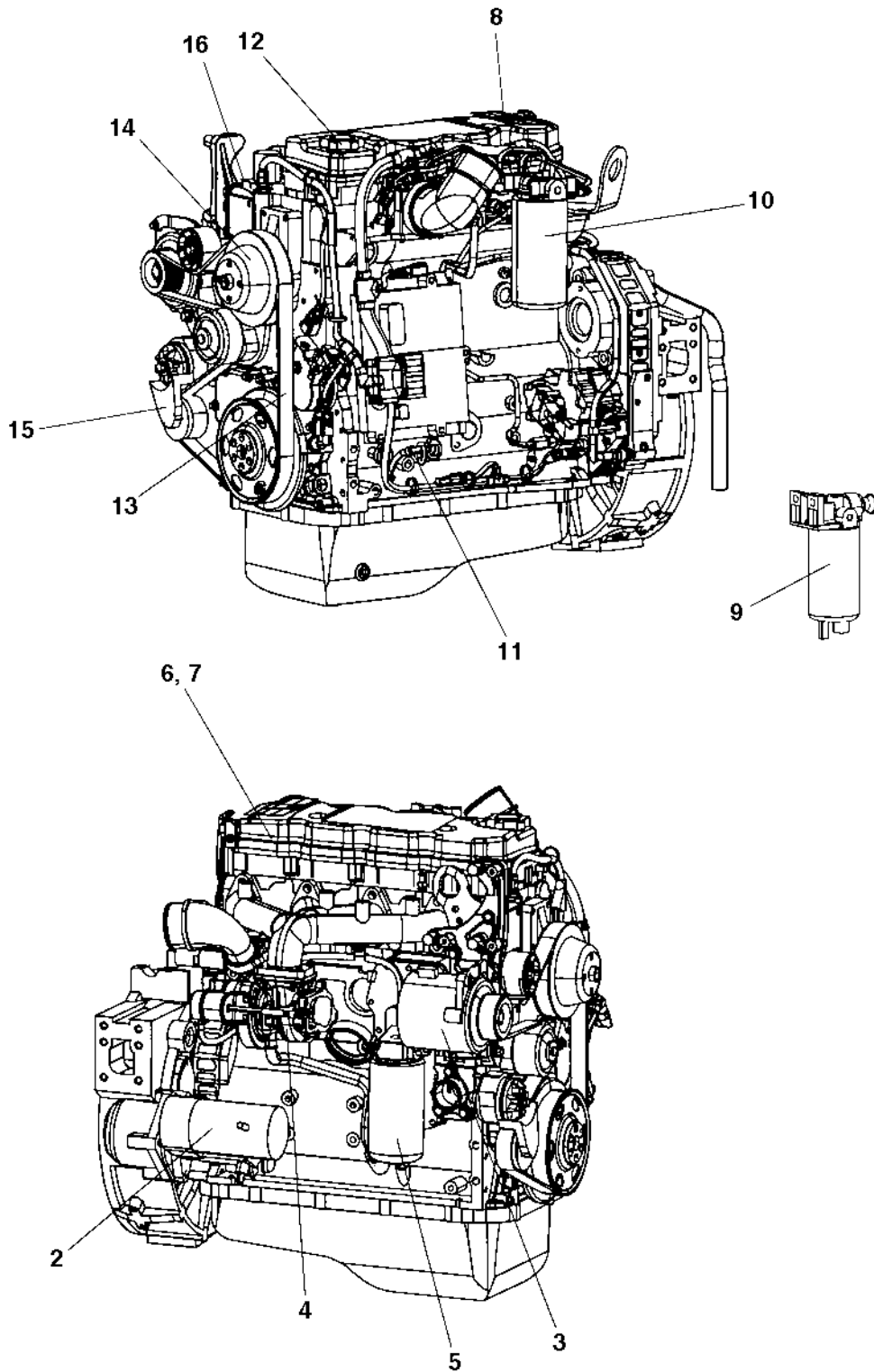


390832 Diesel engine 82kW

Ref. No.	Part No.	Rem.	Qty	Description		Code
1	390832		1	Diesel engine (Page 184)	82kW	
2	945767		1	.Starter		C
3	945768		1	.Alternator		C
4			1	.Turbo charger cpl		C
5	945145		1	.Oil filter element		A
6	945760		1	.Valve cover gasket		
7	945769		1	.Piston ring set		D
8	945626		1	.Injector		
9	945147		1	.Pre-fuel filter element		A
10	945624		1	.Fuel filter element		A
11	945770		1	.Oil dipstick		
12	945771		1	.Oil cap		
13	945772		1	.V-belt		B
14	945773		1	.V- belt pulley		
15	945774		1	.Belt tightener		
16	945887		1	.Sensor, Water temp		

390831 Diesel engine 93kW

390831

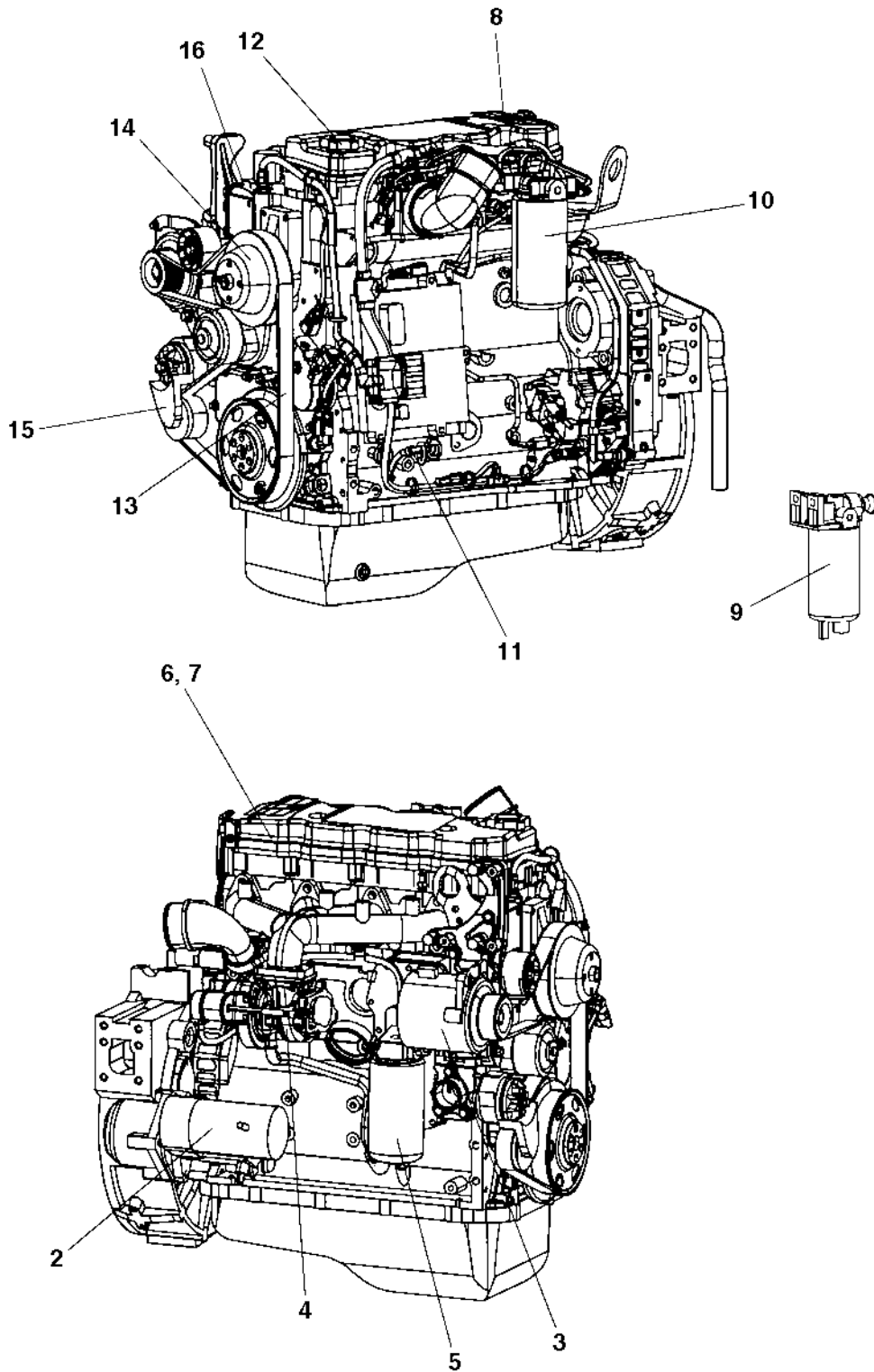


390831 Diesel engine 93kW

Ref. No.	Part No.	Rem.	Qty	Description	Code
1	390831		1	Diesel engine (Page 186)	93kW
2	945767		1	.Starter	C
3	945768		1	.Alternator	C
4			1	.Turbo charger cpl	C
5	945145		1	.Oil filter element	A
6	945760		1	.Valve cover gasket	
7	945769		1	.Piston ring set	D
8	945626		1	.Injector	
9	945147		1	.Pre-fuel filter element	A
10	945624		1	.Fuel filter element	A
11	945770		1	.Oil dipstick	
12	945771		1	.Oil cap	
13	945772		1	.V-belt	B
14	945773		1	.V- belt pulley	
15	945774		1	.Belt tightener	
16	945887		1	.Sensor, Water temp	

379624 Diesel engine 113kW

379624

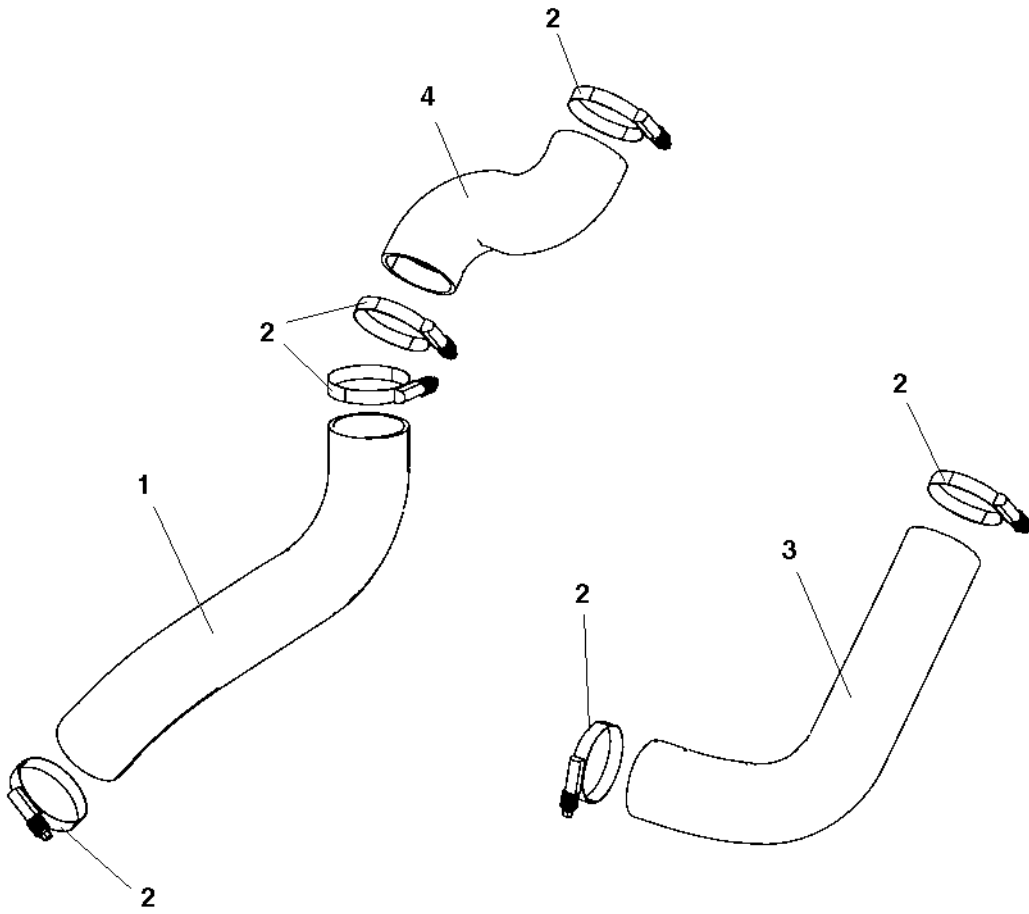


379624 Diesel engine 113kW

Ref. No.	Part No.	Rem.	Qty	Description		Code
1	379624		1	Diesel engine (Page 188)	113kW	
2	945767		1	.Starter		C
3	945768		1	.Alternator		C
4			1	.Turbo charger cpl		C
5	945145		1	.Oil filter element		A
6	945760		1	.Valve cover gasket		
7	945769		1	.Piston ring set		D
8	945626		1	.Injector		
9	945147		1	.Pre-fuel filter element		A
10	945624		1	.Fuel filter element		A
11	945770		1	.Oil dipstick		
12	945771		1	.Oil cap		
13	945772		1	.V-belt		B
14	945773		1	.V- belt pulley		
15	945774		1	.Belt tightener		
16	945887		1	.Sensor, Water temp		

Air cooler hoses

391594

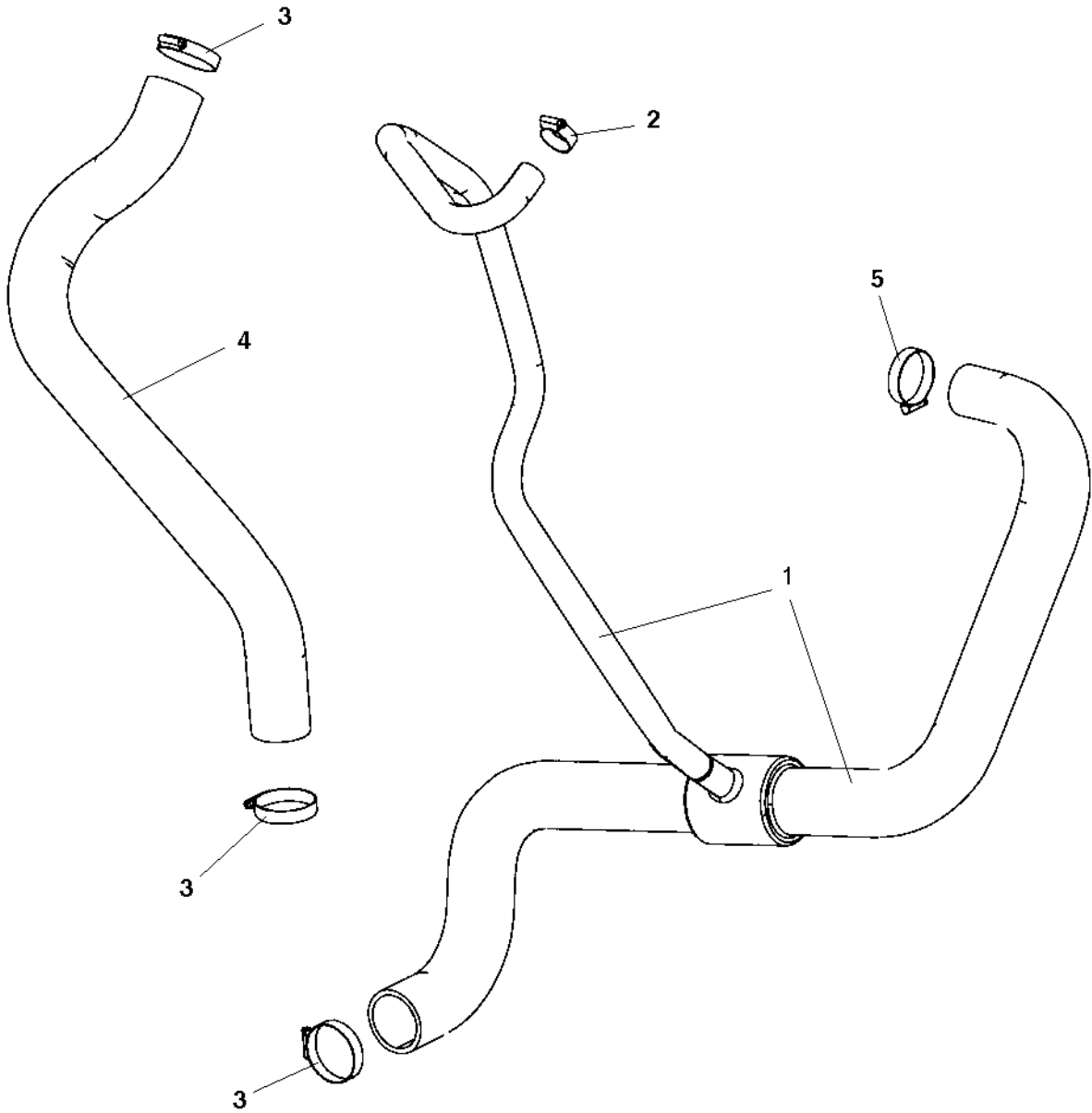


Air cooler hoses

Ref. No.	Part No.	Rem.	Qty	Description	Code
1	390020		1	Charge air hose	
2	386966		6	Hose clamp	2.3/4"-3.5/8"
3	390019		1	Charge air hose	
4	391263		1	Charge air hose	

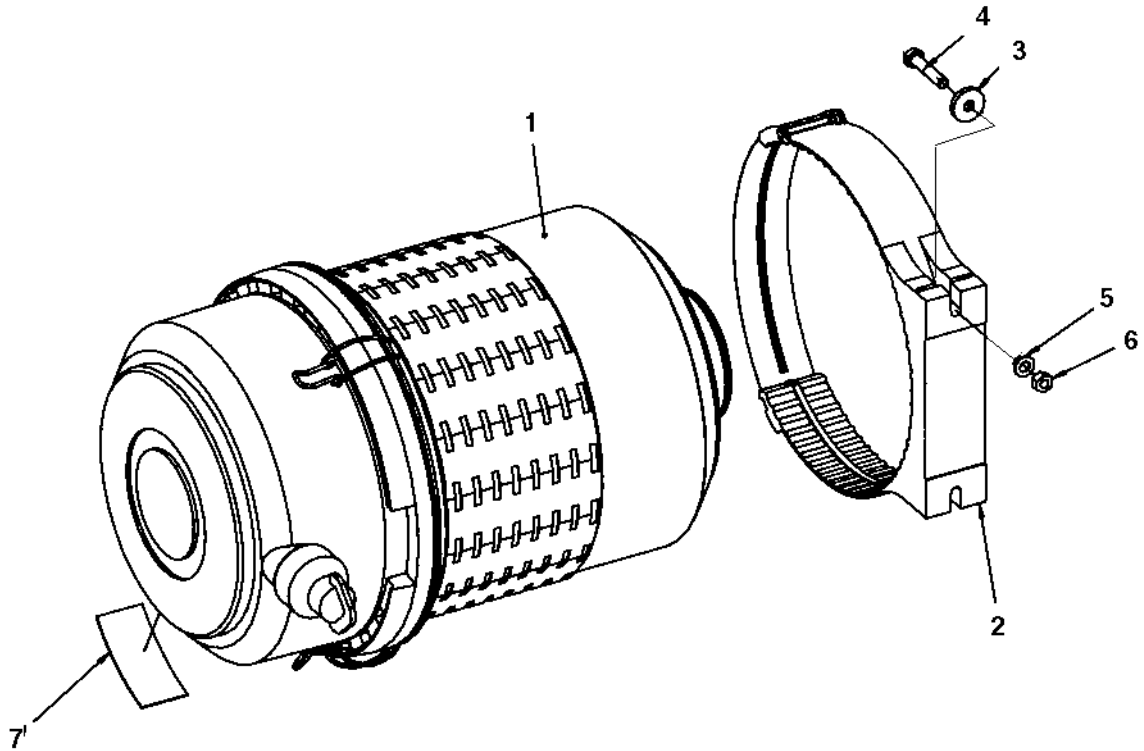
Water cooler hoses

394269



Water cooler hoses

Ref. No.	Part No.	Rem. Qty	Description	Code
1	394267	1	Coolant hose	
2	313004	1	Hose clamp	
3	313010	3	Hose clamp	
4	390024	1	Coolant hose	
5	313009	1	Hose clamp	

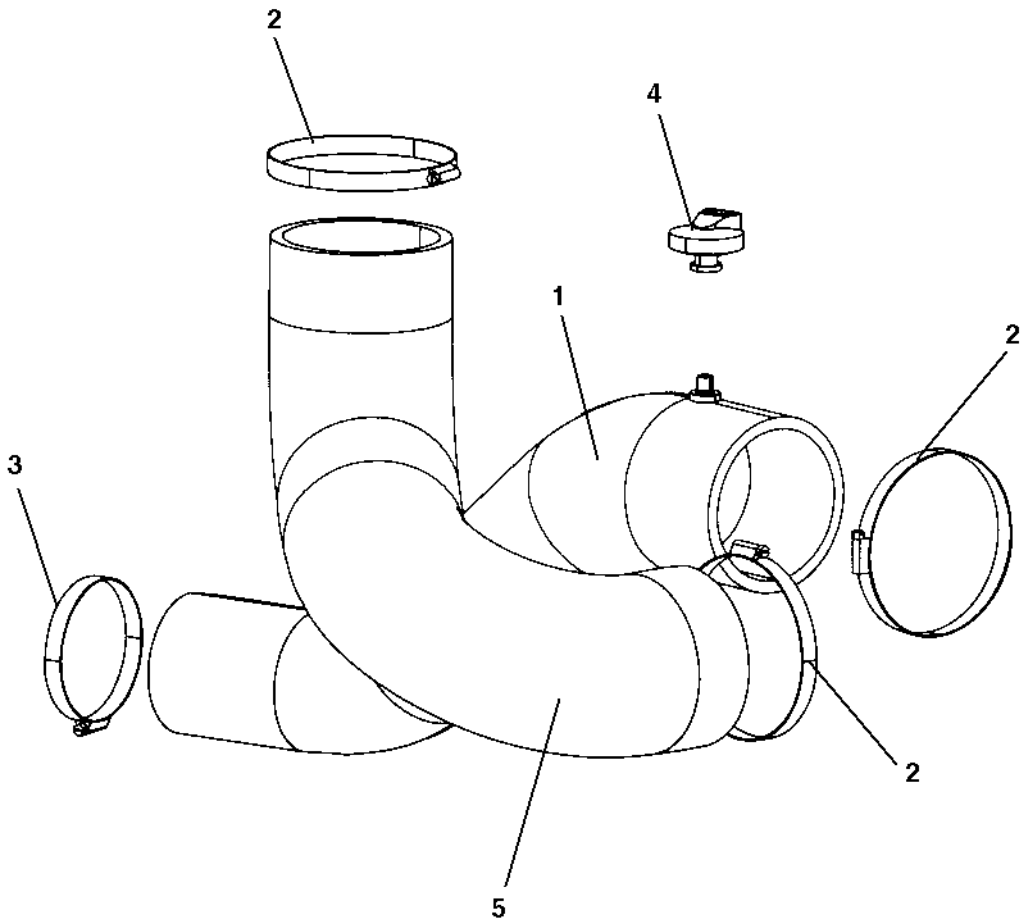


Air cleaner module

Ref. No.	Part No.	Rem.	Qty	Description	Code
1	390820		1	Air cleaner	
	390995		1	.Main filter element	A
	390994		1	.Safety filter element	A
2	390811		1	Bracket	
3	904734		2	Washer	
4	500023		2	Screw	M8-1,25x40 8,8
5	904229		2	Washer	
6	570005		2	Nut	
7	791642		1	Decal "WARNING"	Use of starting fluid prohib.

Air cleaner hose module

391590

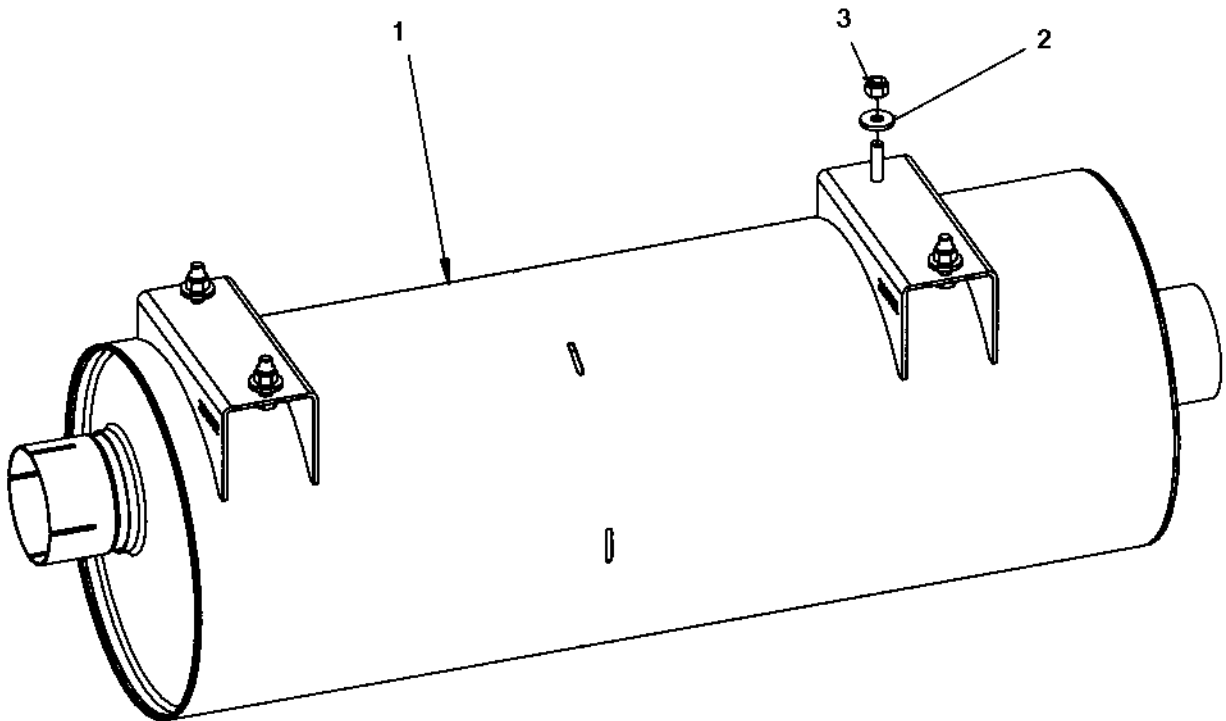


Air cleaner hose module

Ref. No.	Part No.	Rem.	Qty	Description	Code
1	390021		1	Hose	
2	313105		3	Hose clamp	
3	313033		1	Hose clamp	D
4	390830		1	Indicator	
5	390022		1	Hose	

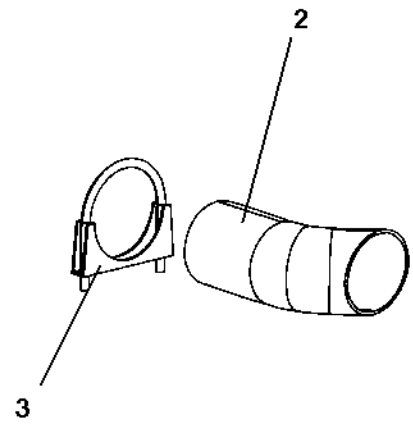
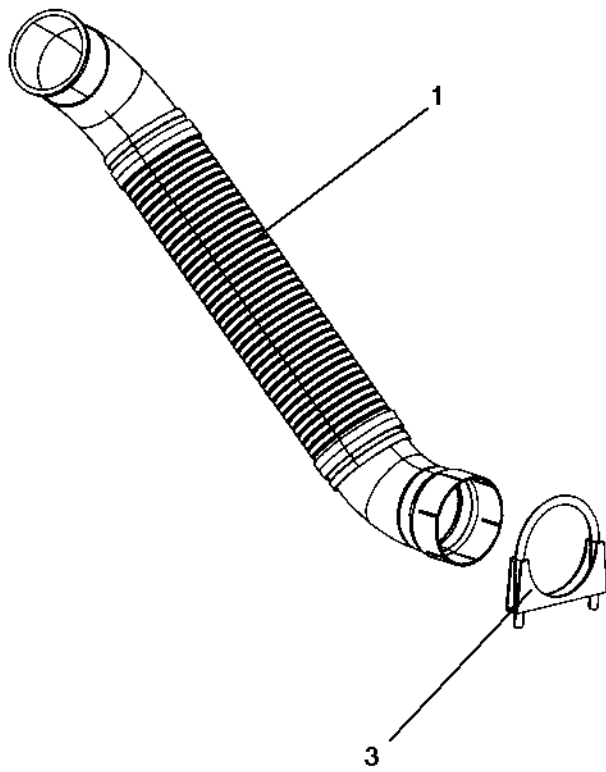
Muffler

391261



Muffler

Ref. No.	Part No.	Rem. Qty	Description	Code
1	390332	1	Muffler	
2	904640	4	Washer	
3	586003	4	Lock nut	

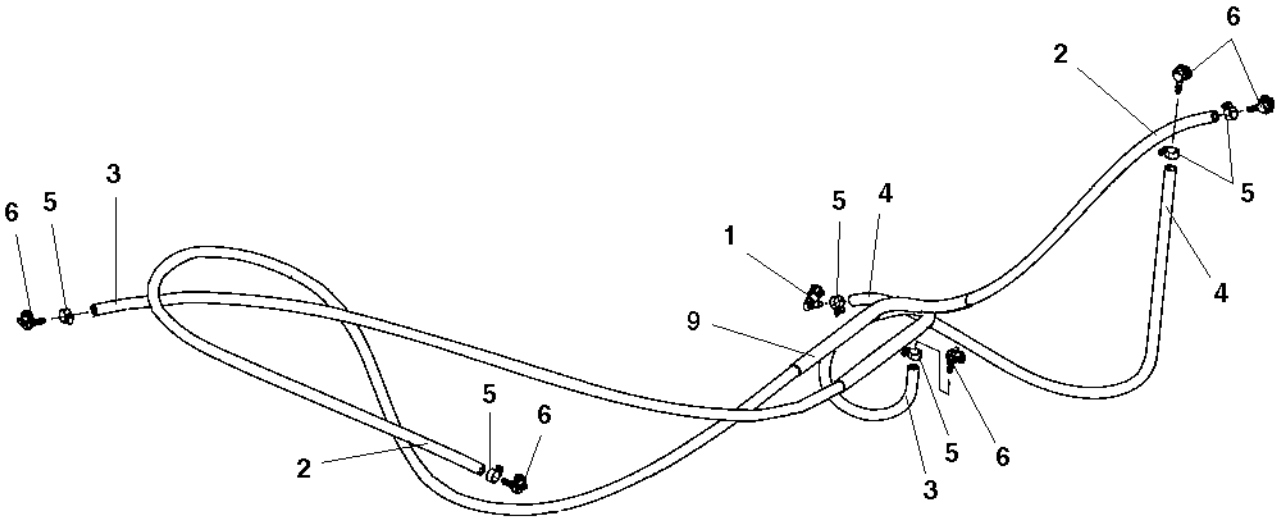


Exhaust pipe module

Ref. No.	Part No.	Rem. Qty	Description	Code
1	390902	1	Exhaust pipe	
2	390903	1	Exhaust pipe	
3	313094	2	Pipe clamp	

Fuel hose module

394456

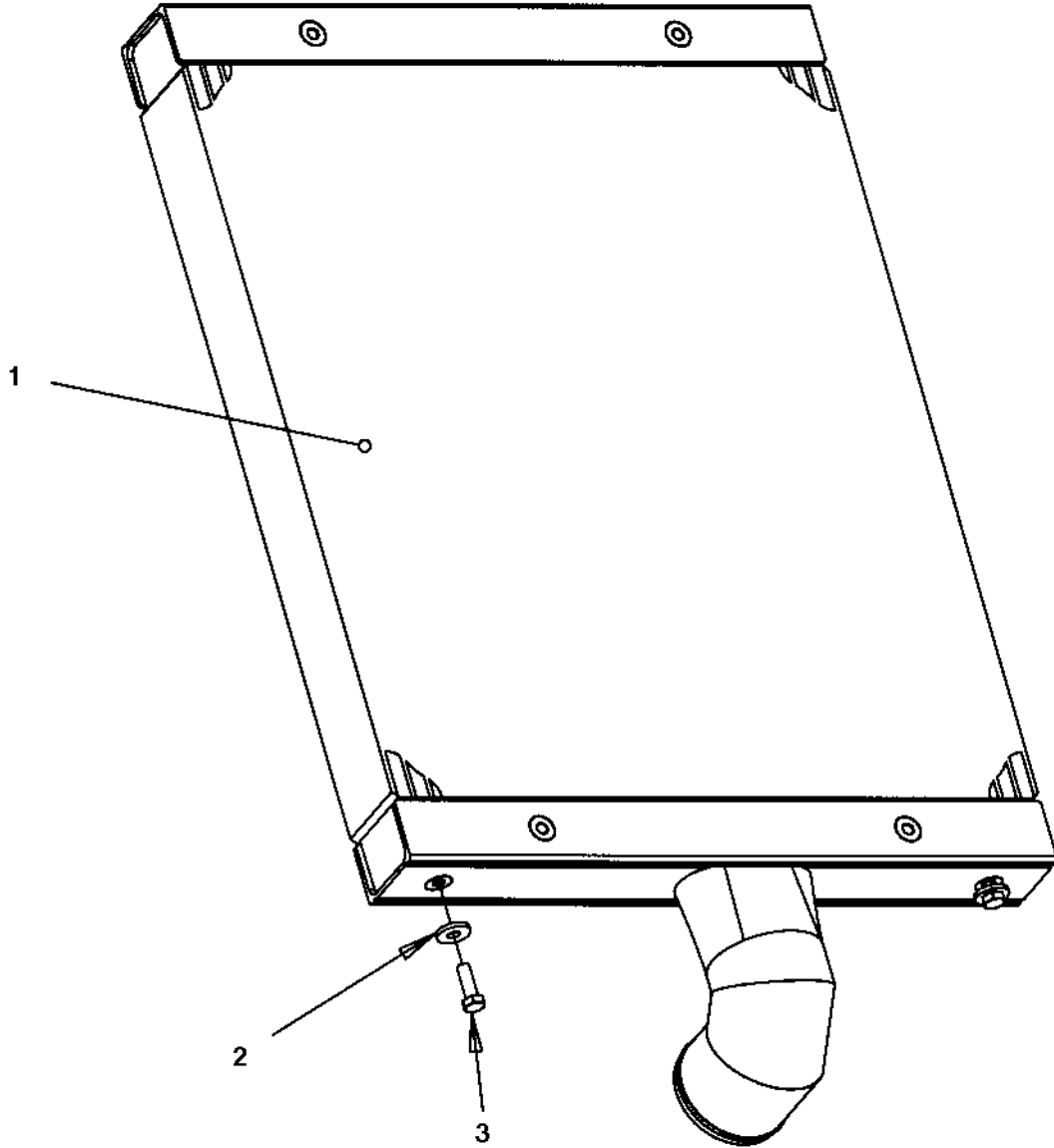


Fuel hose module

Ref. No.	Part No.	Rem.	Qty	Description	Code
1	792522		1	Quick connect coupling	
2	904984	A	1XL	Fuel hose	D
3	904984	B	1XL	Fuel hose	D
4	904984	C	1XL	Fuel hose	D
5	313001		6	Hose clamp	
6	792526		5	Quick connect coupling	
9	792695	D	1XL	Hose guard	
A)	L=2.9 m				
B)	L=1.8m				
C)	L=1.2m				
D)	L= 0,5 m				

Charge air cooler

391588

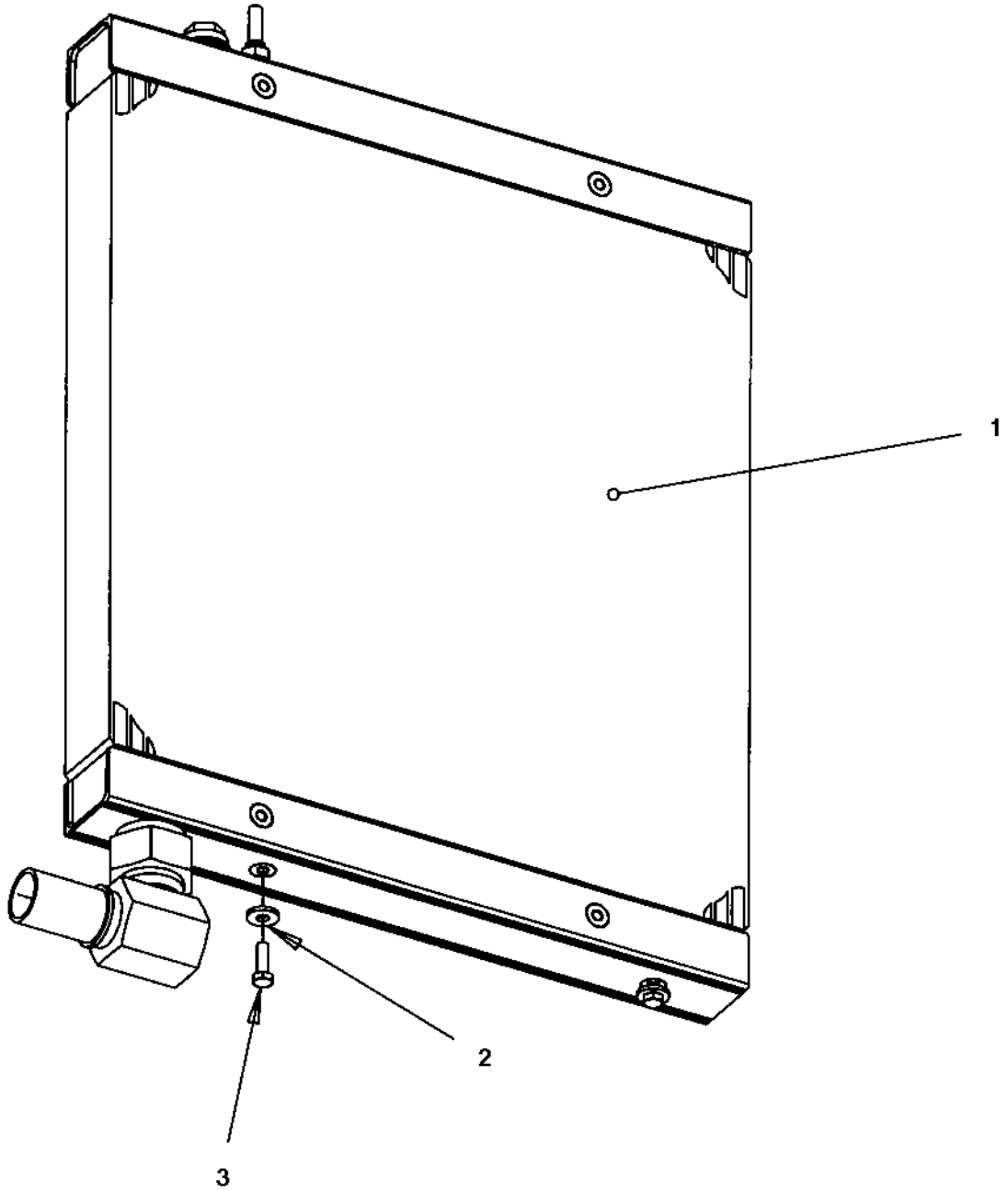


Charge air cooler

Ref. No.	Part No.	Rem.	Qty	Description	Code
1	390630		1	Charge air cooler	C
2	904640		2	Washer	
3	500021		2	Screw	

Water cooler

390336

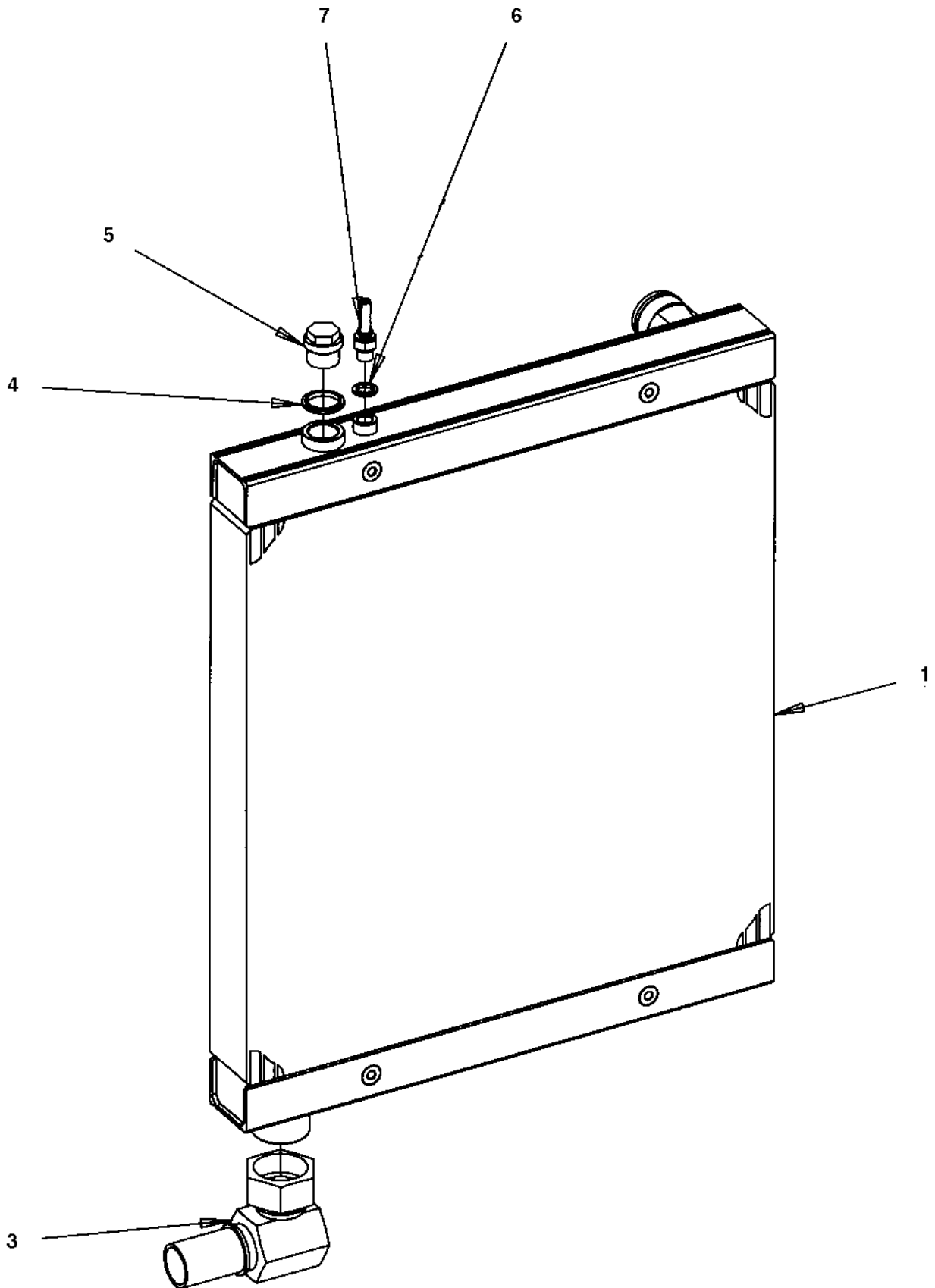


Water cooler

Ref. No.	Part No.	Rem.	Qty	Description	Code
1			1	Radiator, cpl (Page 208)	
2	904640		2	Washer	
3	500021		2	Screw	

Radiator, cpl

391945

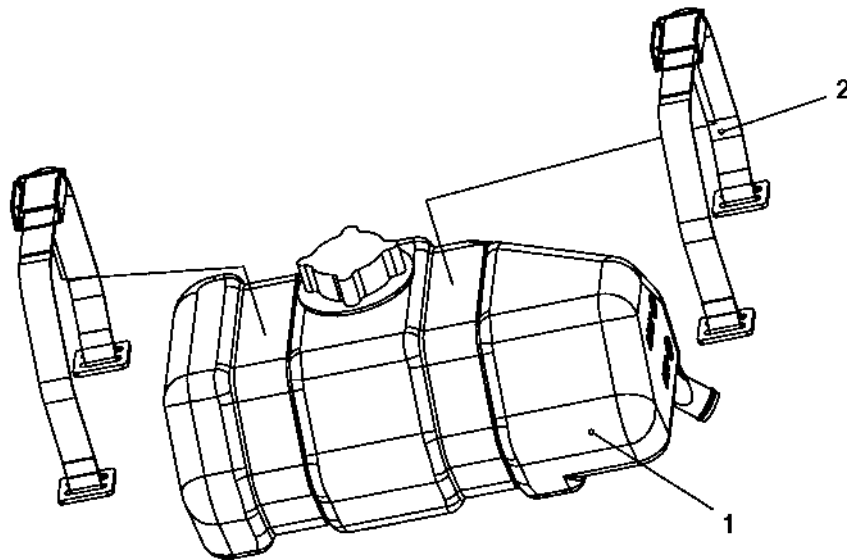


Radiator, cpl

Ref. No.	Part No.	Rem.	Qty	Description	Code
1	390627		1	Water cooler	C
3	792323		1	Hose connection	
4	791120		1	Sealing washer	
5	232039		1	Plug	G3/4
6	162004		1	Sealing	
7	792322		1	Hose connection	

Expansion tank assembly

394156

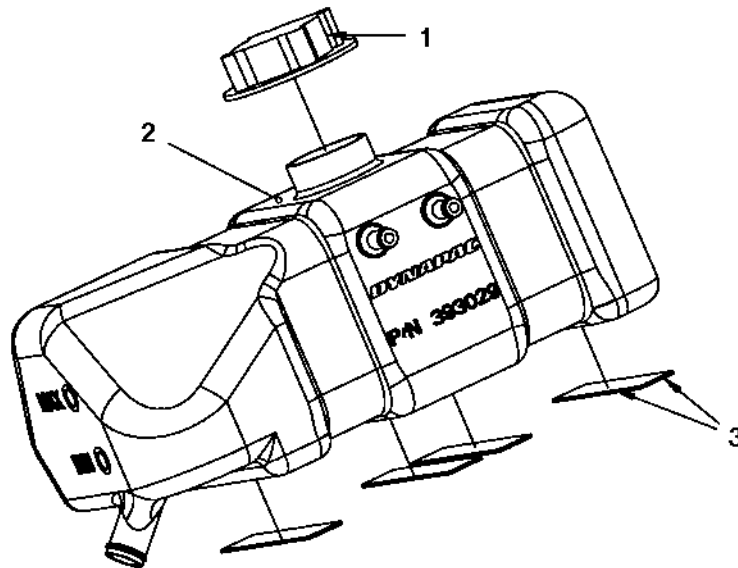


Expansion tank assembly

Ref. No.	Part No.	Rem.	Qty	Description	Code
1	394155		1	Expansion tank (Page 212)	
2	393235		2	Strap	

394155 Expansion tank

394155

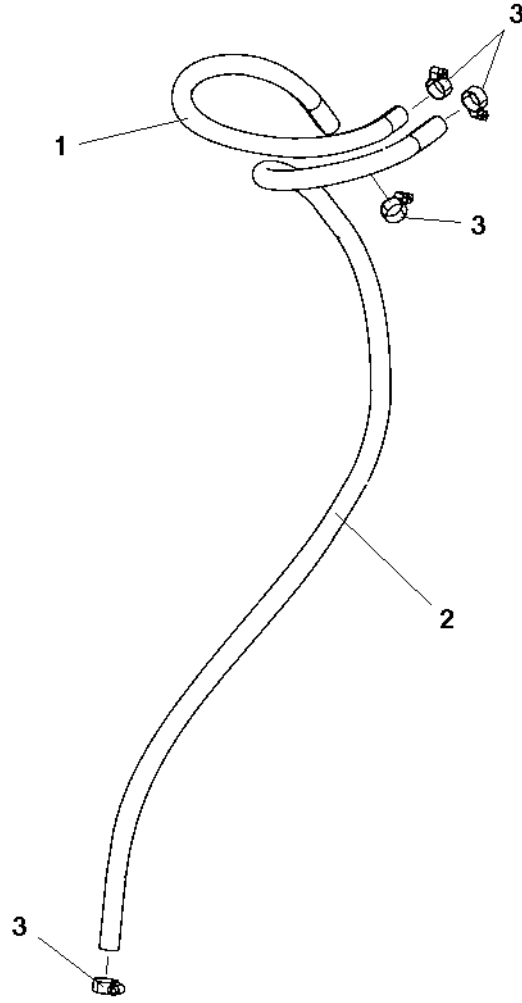


394155 Expansion tank

Ref. No.	Part No.	Rem.	Qty	Description	Code
1	903714		1	Cap	
2	393029		1	Expansion tank	
3	394229		4	Rubber strip	

Coolant hoses

391593



Coolant hoses

Ref. No.	Part No.	Rem.	Qty	Description	Code
1	246069	A	1XL	Fuel hose	3/8"
2	246069	B	1XL	Fuel hose	3/8"
3	313001		4	Hose clamp	

A) L= 0,54 m

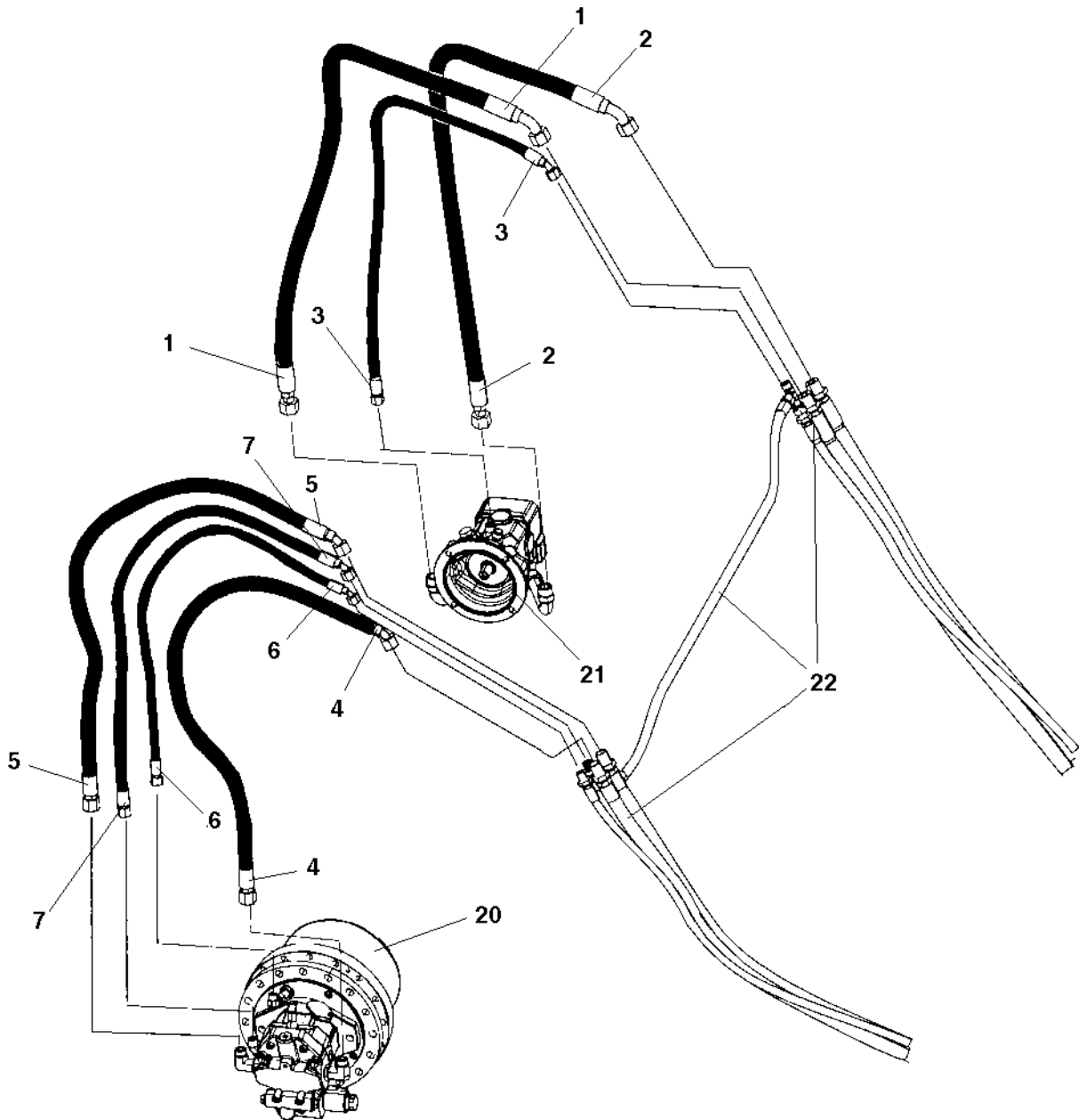
B) L= 1,19 m

Hydraulic system

Ref. No.	Part No.	Rem.	Qty	Description	Code
1				Hydraulic system, front drum (Page 218)	
2				Hydraulic system, rear drum std (Page 220)	
3				Hydraulic hoses, frame std (Page 222)	
4				Hydraulic system, steering (Page 224)	Std
5				Hydraulic steering, sliding seat (Page 232)	Std
7				Hydraulic hoses, engine structure std (Page 238)	
9			1	Hydraulic pump module (Page 240)	
10			1	Hydraulic valve module, offset (Page 246)	

Hydraulic system, front drum

391548

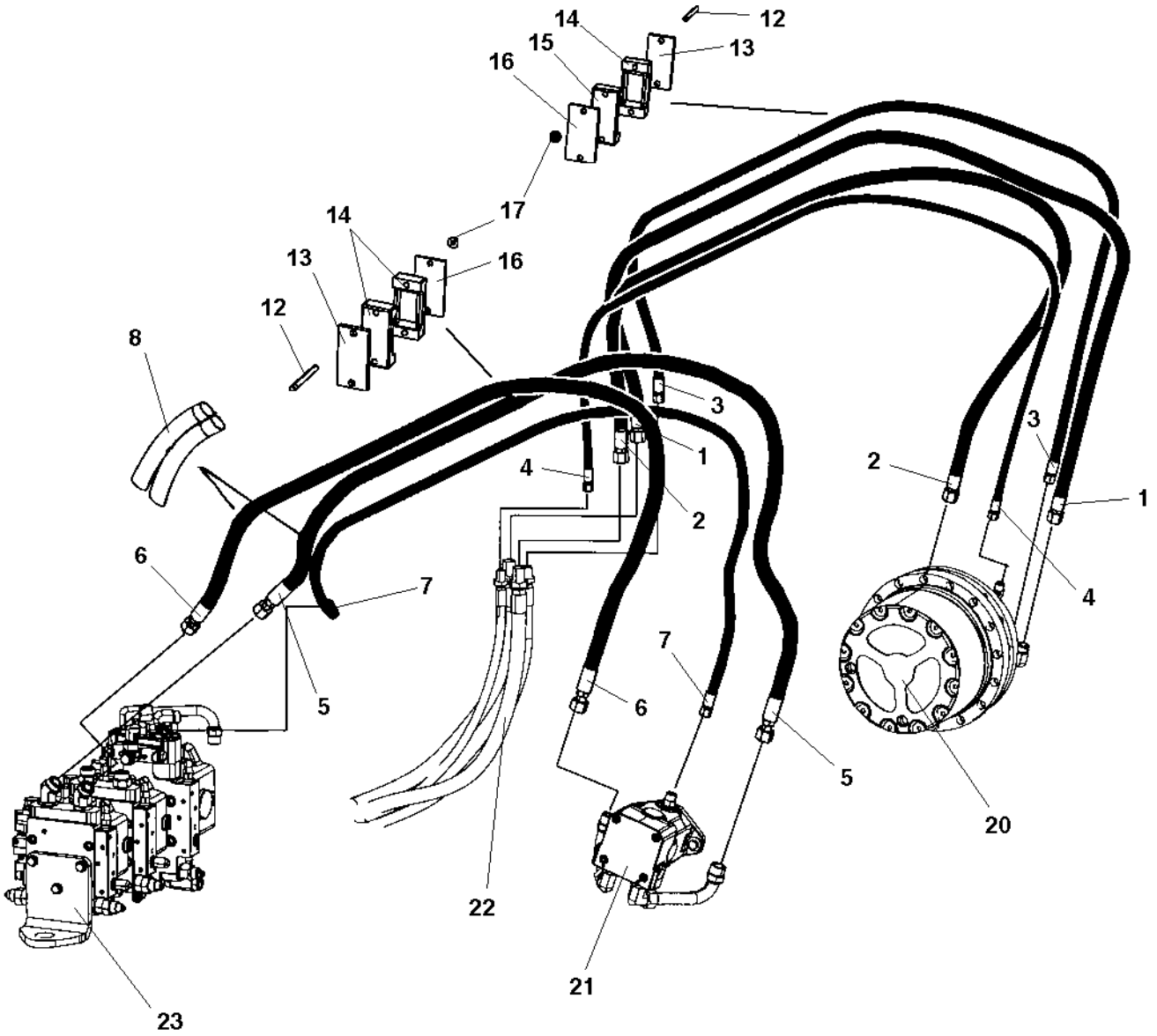


Hydraulic system, front drum

Ref. No.	Part No.	Rem.	Qty	Description	Code
1	484075		1	Hydraulic hose	
2	484076		1	Hydraulic hose	
3	484077		1	Hydraulic hose	
4	484078		1	Hydraulic hose	
5	484079		1	Hydraulic hose	
6	484080		1	Hydraulic hose	
7	484081		1	Hydraulic hose	
20				Drive unit (Page 168)	
21				Vibrating unit	Rexroth
				Vibrating unit (Page 174)	Sauer
22				Hydraulic hoses, frame	

Hydraulic system, rear drum std

391546



Hydraulic system, rear drum std

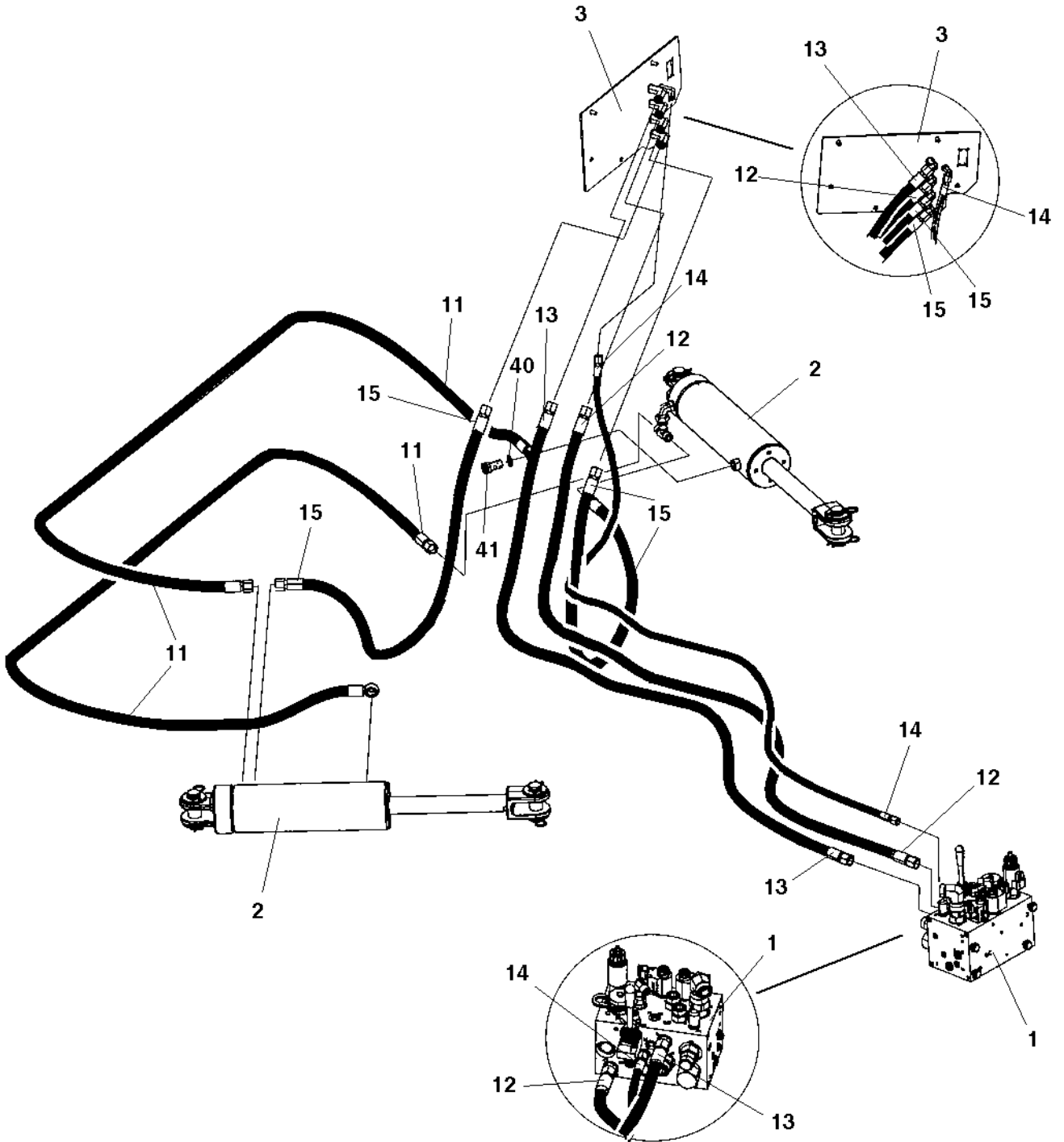
Ref. No.	Part No.	Rem.	Qty	Description	Code
1	484238		1	Hydraulic hose	
2	484237		1	Hydraulic hose	
3	484239		1	Hydraulic hose	
4	484085		1	Hydraulic hose	
5	484240		1	Hydraulic hose	D
6	483486		1	Hydraulic hose	D
7	484241		1	Hydraulic hose	
8	903082	N		Hose shield	
12	904629		4	Stud	
13	349210		2	Rubber plate	
14	343872		3	Hose clamp	D
15	343732		1	Hose clamp	
16	335914		2	Cover plate	
17	570103		4	Nut	
20				Drive unit (Page 168)	
21				Vibrating unit	Rexroth
				Vibrating unit (Page 174)	Sauer
22				Hydraulic hoses, frame	
23				Hydraulic pump	

Hydraulic hoses, frame std

Ref. No.	Part No.	Rem.	Qty	Description	Code
1	484014		1	Hydraulic hose	
2	484015		1	Hydraulic hose	
3	484016		1	Hydraulic hose	
4	484017		1	Hydraulic hose	
5	484018		1	Hydraulic hose	
6	484019		1	Hydraulic hose	
7	484020		1	Hydraulic hose	
8	484021		1	Hydraulic hose	
9	484022		1	Hydraulic hose	
10	484023		1	Hydraulic hose	
11	606009		1	Lock washer	
42	792454		2	Nut	
43	792453		4	Nut	
44	792452		1	Nut	
45	792451		2	Nut	
48	792344		1	Bulkhead union	
49	791798		1	T-connector	
54	792632		2	O-ring	
55	904008		1	O-ring	
56	904009		4	O-ring	D
57	904010		2	O-ring	
58	792790		2	Lock washer	

Hydraulic system, steering Std

393073_1

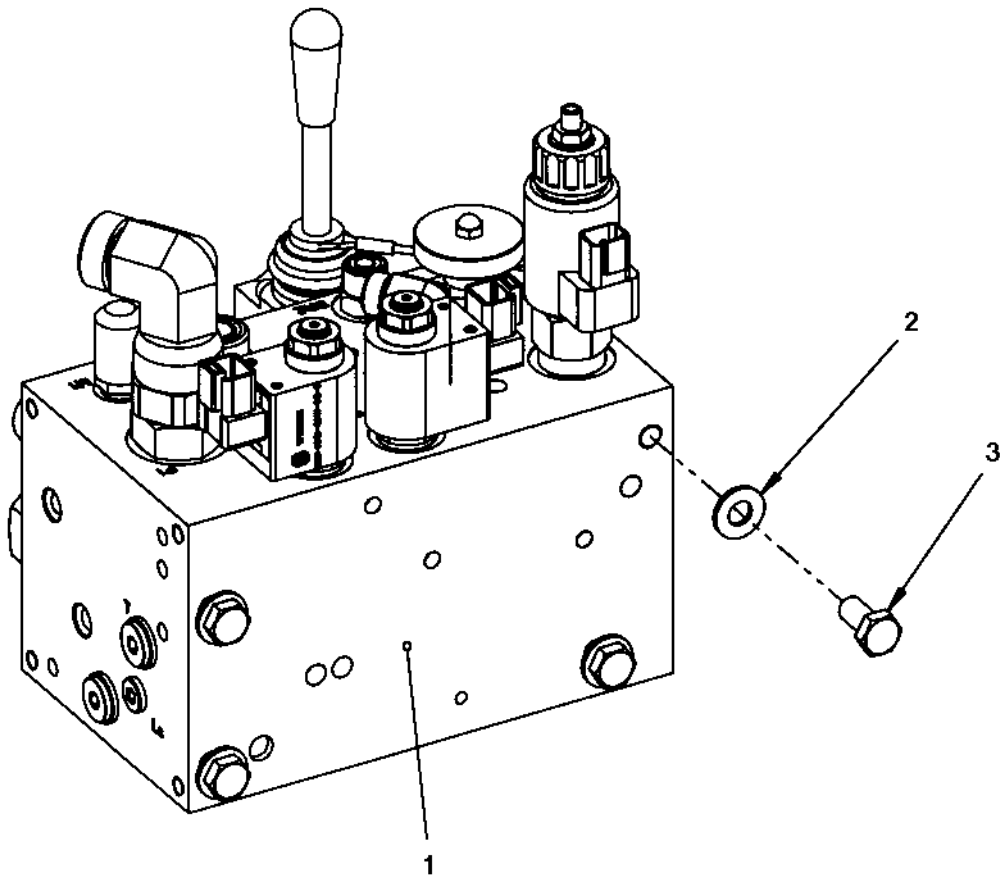


Hydraulic system, steering Std

Ref. No.	Part No.	Rem.	Qty	Description	Code
1			1	Hydraulic valve module (Page 226)	
2		A	2	Steering cylinder	
3			1	Hose bracket (Page 230)	
11	393364		2	Hydraulic hose	
12	484024		1	Hydraulic hose	
13	484025		1	Hydraulic hose	
14	484026		1	Hydraulic hose	
15	484027		2	Hydraulic hose	
40	162015		4	Seal ring	D
41	904292		2	Hollow screw	
A)	See section "Front frame"				

Hydraulic valve module

391564

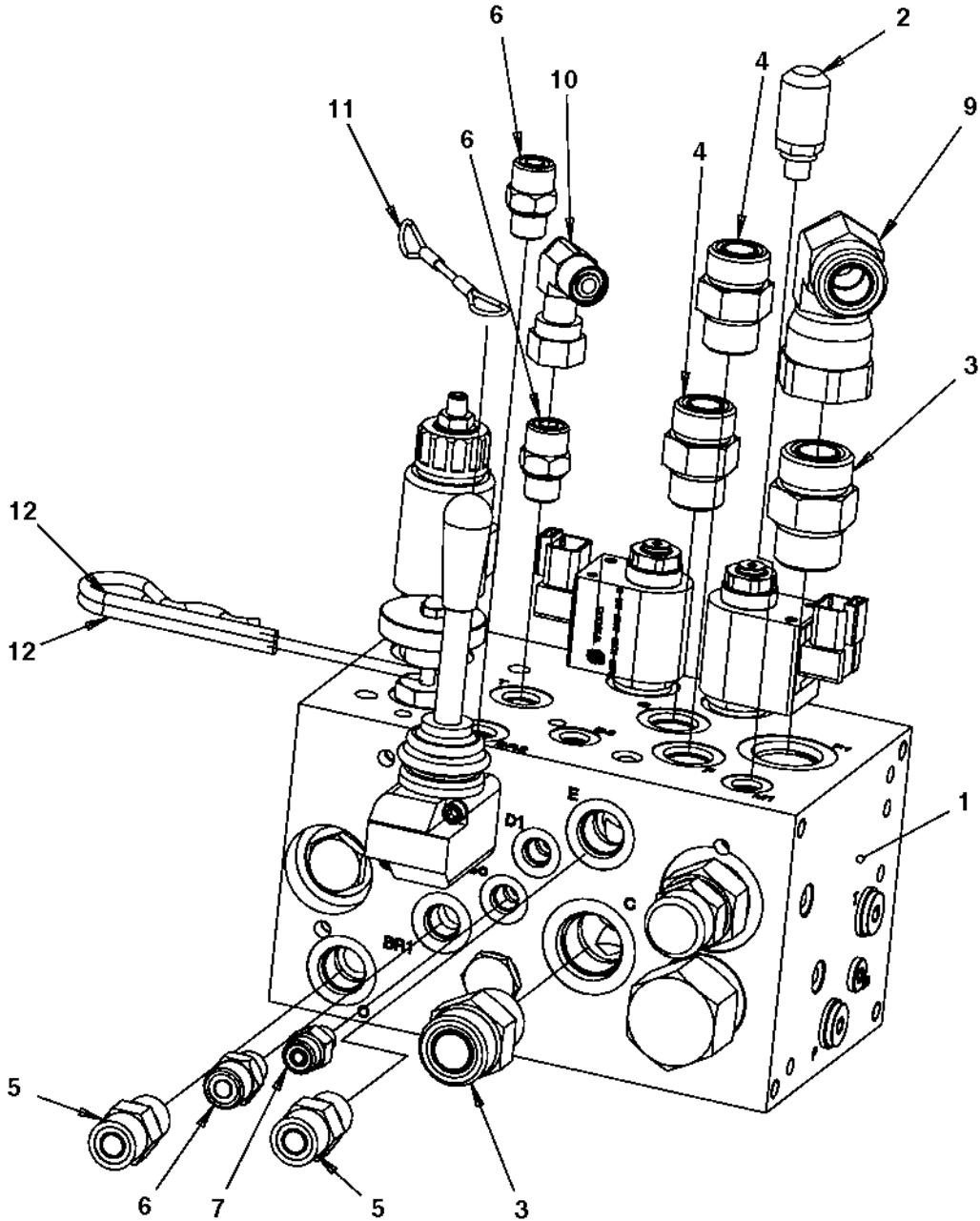


Hydraulic valve module

Ref. No.	Part No.	Rem.	Qty	Description	Code
1			1	Hydraulic valve (Page 228)	
2	904230		4	Washer	
3	500048		4	Screw	

Hydraulic valve

391563

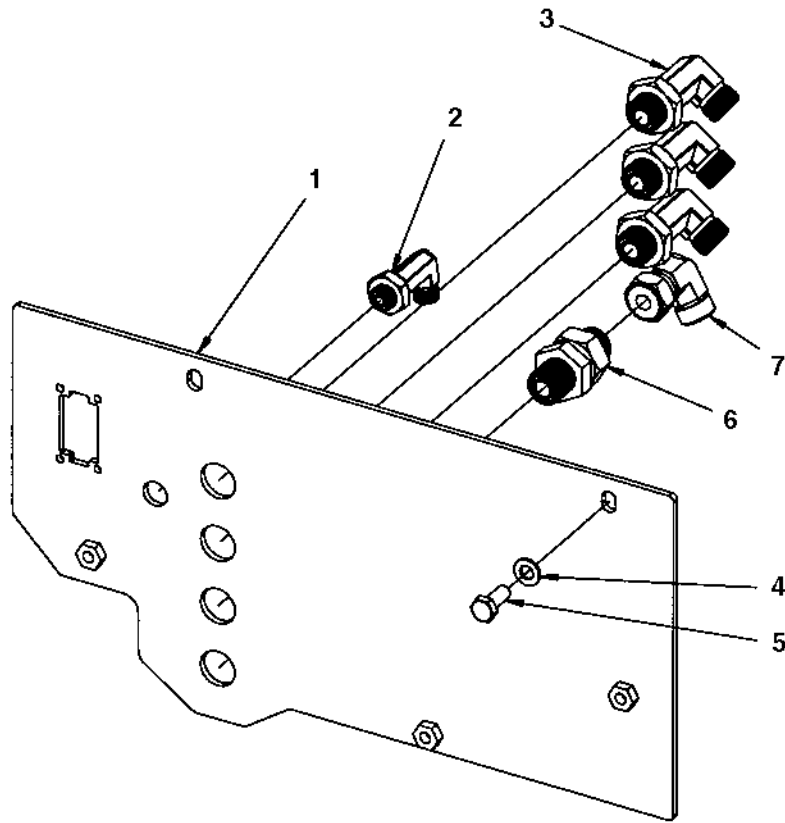


Hydraulic valve

Ref. No.	Part No.	Rem.	Qty	Description	Code
1	391016		1	Hydraulic valve	C
2	910162		1	Measuring nipple	D
3	791823		2	Straight connector orfs	
4	791743		2	Straight connector orfs	
5	791799		2	Straight connector orfs	
6	791409		3	Straight connector orfs	
7	791744		1	Straight connector	
9	904584		1	Elbow connector 90	
10	791401		1	Elbow 90, O-ring with swivel	
11	358732		1	Wire	
12	635057		2	Hair pin	

Hose bracket

391096B

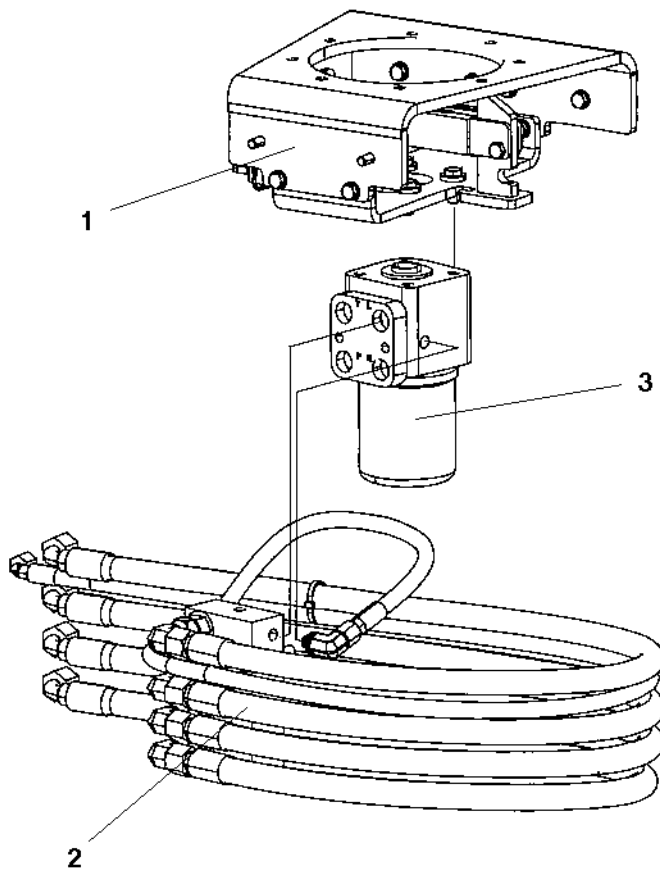


Hose bracket

Ref. No.	Part No.	Rem.	Qty	Description	Code
1	391192		1	Hose bracket	
2	792343		1	Bulkhead elbow	
3	792342		4	Bulkhead elbow	
4	904229		2	Washer	
5	500053		2	Screw	

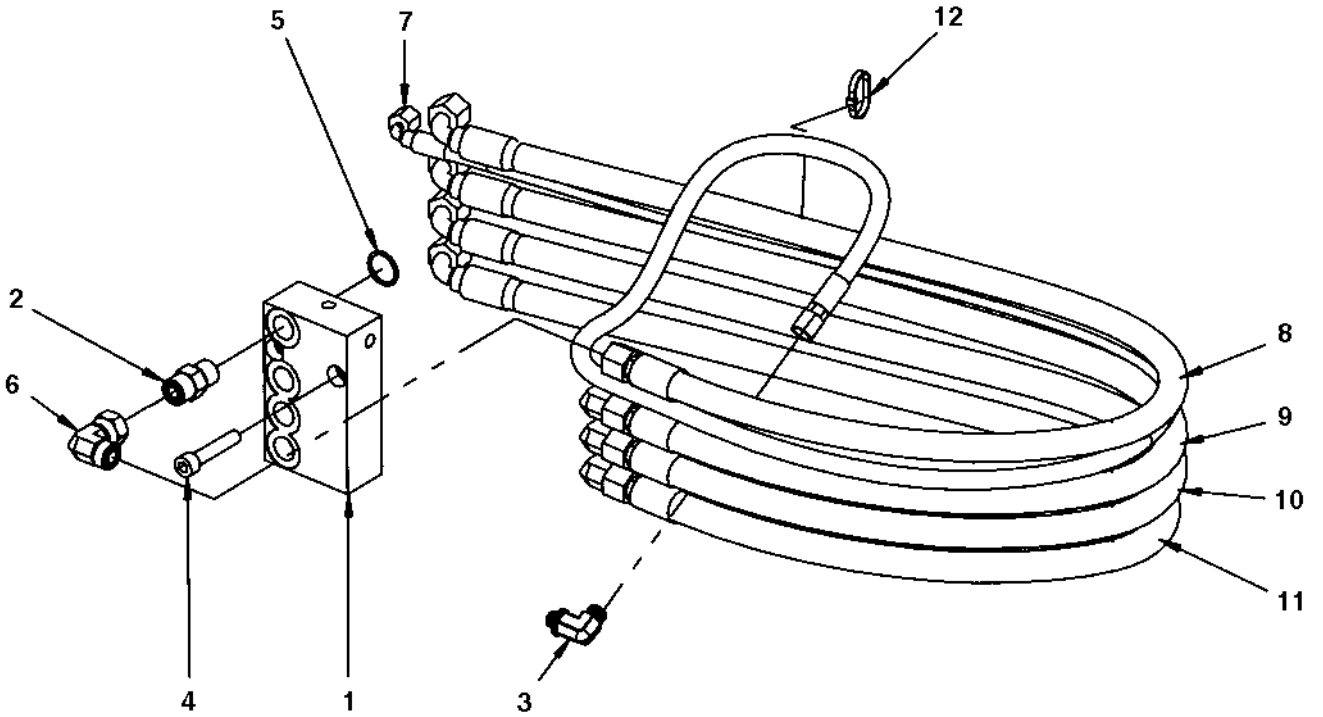
Hydraulic steering, sliding seat Std

18649



Hydraulic steering, sliding seat Std

Ref. No.	Part No.	Rem.	Qty	Description	Code
1			1	Carrier (Page 400)	
2			1	Steering, slideable (Page 234)	
3	372424		1	Pilot valve, steering (Page 236)	C
	392758		1	Pilot valve, emergency steering	

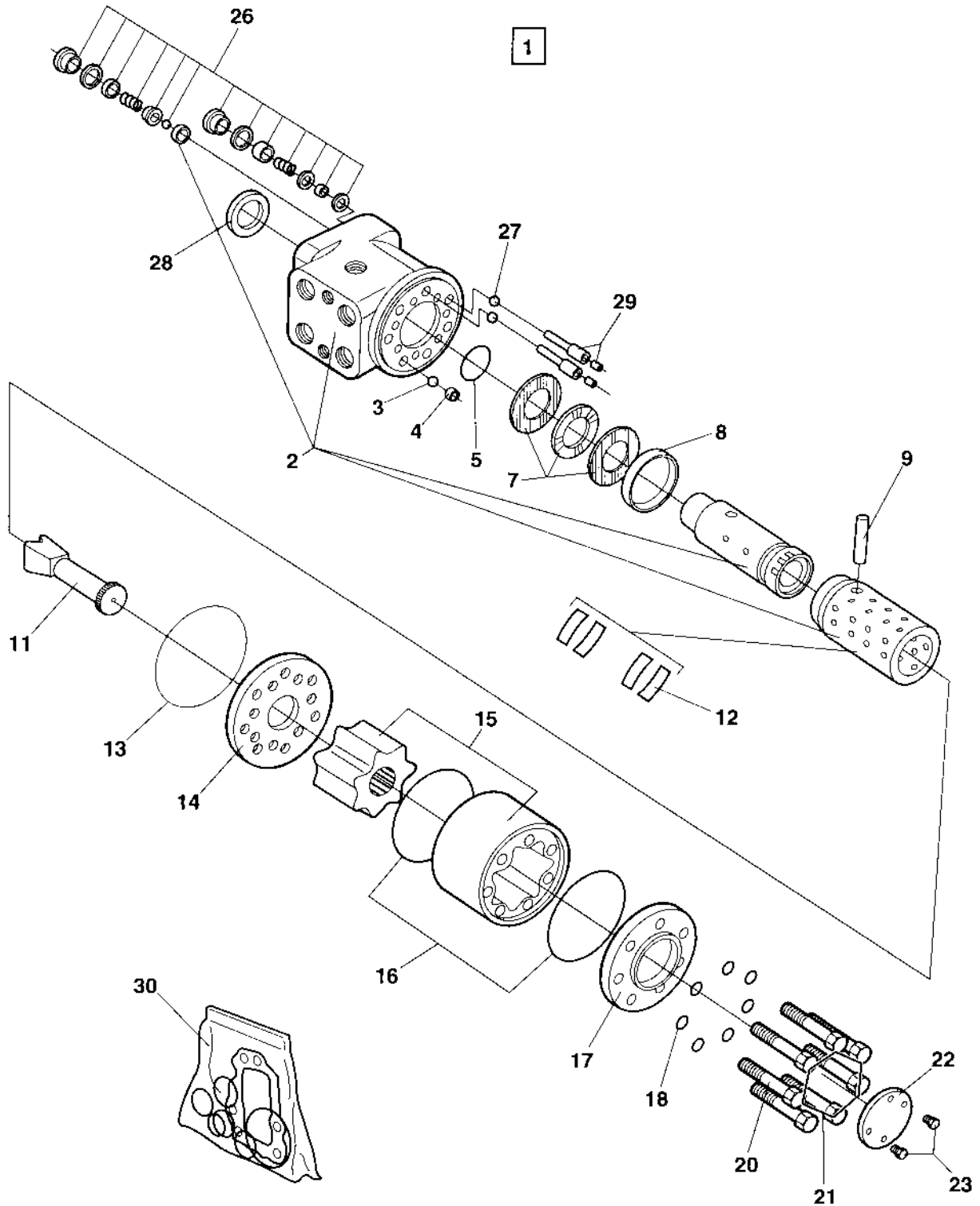


Steering, slideable

Ref. No.	Part No.	Rem.	Qty	Description	Code
1	370155		1	Valve block	
2	791799		4	Straight connector orfs	
3	792334		1	Elbow 90 orfs	
4	903773		2	Screw	M10x1x50 8,8
5	160287		4	O-ring	D
6	791745		4	Elbow 90, O-ring with swivel	
7	484006		1	Hydraulic hose	
8	484007		1	Hydraulic hose	
9	484007		1	Hydraulic hose	
10	484007		1	Hydraulic hose	
11	484007		1	Hydraulic hose	
12	313041		N	Cable ties	

372424 Pilot valve, steering

15981



372424 Pilot valve, steering

Ref. No.	Part No.	Rem.	Qty	Description	Code
1	372424		1	Pilot valve, steering (Page 236)	C
2			1	.Housing , spool and sleeve , cpl	C
3	480468		1	.Ball	
4	480446		1	.Threaded bushing	D
5		1	1	.O-ring	D
7	911620		1	.Bearing	D
8	480449		1	.Ring	
9	480447		1	.Cross pin	
11	902861		1	.Cardan shaft	
12	909211		1	.Set of springs	
13		1	1	.O-ring	
14	902862		1	.Valve plate	
15	903457		1	.Gear wheel set	
16		1	2	.O-ring	
17	480450		1	.End cap	
18		1	7	.Washer	
20	480456		1	.Screw with hole	
21	935428		6	.Screw	
22			1	.Name plate	
23			2	.Screw	
26	929012		2	.Shock valve	22,5-24,0 MPa
27	929013		2	.Ball	
28		1	1	.Seal ring	
29	929014		2	.Rolled pin	
30	935429		1	.Seal kit	

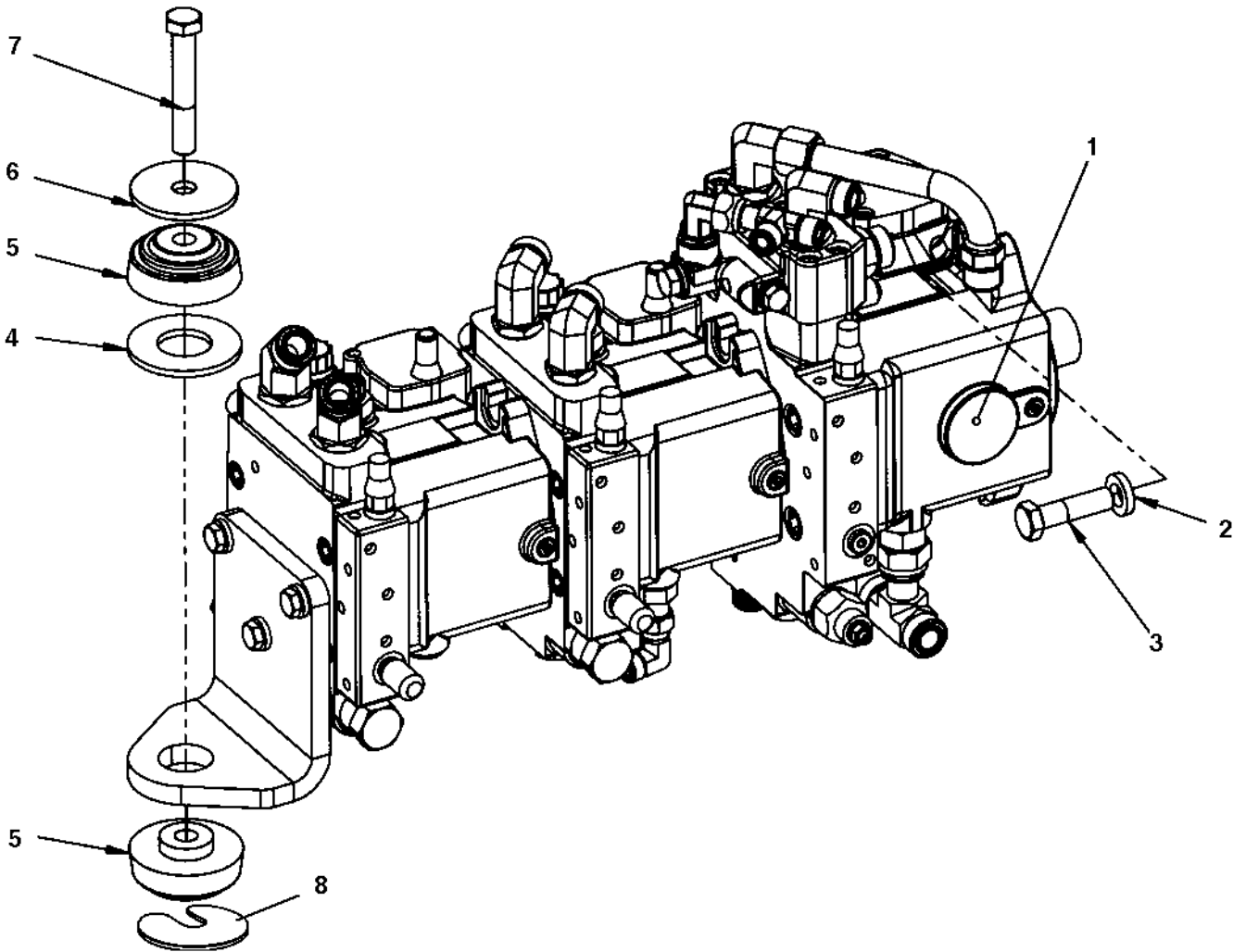
1) Included in seal kit item 30

Hydraulic hoses, engine structure std

Ref. No.	Part No.	Rem.	Qty	Description	Code
16	484028		1	Hydraulic hose	
17	484029		1	Hydraulic hose	
18	484030		1	Hydraulic hose	
19	484031		1	Hydraulic hose	
20	484032		1	Hydraulic hose	
21	484033		1	Hydraulic hose	
22	484034		1	Hydraulic hose	
23	484035		1	Hydraulic hose	
24	483729		1	Hydraulic hose	
25	484036		1	Hydraulic hose	
26	484037		1	Hydraulic hose	
27	484038		1	Hydraulic hose	
28	484039		1	Hydraulic hose	
29	484040		1	Hydraulic hose	
30	484161		1	Hydraulic hose	
31	483726		1	Hydraulic hose	
32	792533		1	Hydraulic hose	
33	484043		1	Hydraulic hose	
34	903082	N		Hose shield	
46	791397		1	Elbow 90, O-ring	
47	792340		1	Tee-connector orfs	
52	902295		2	Clamp	
53	792441		3	Cable tie with holder	

Hydraulic pump module

391562

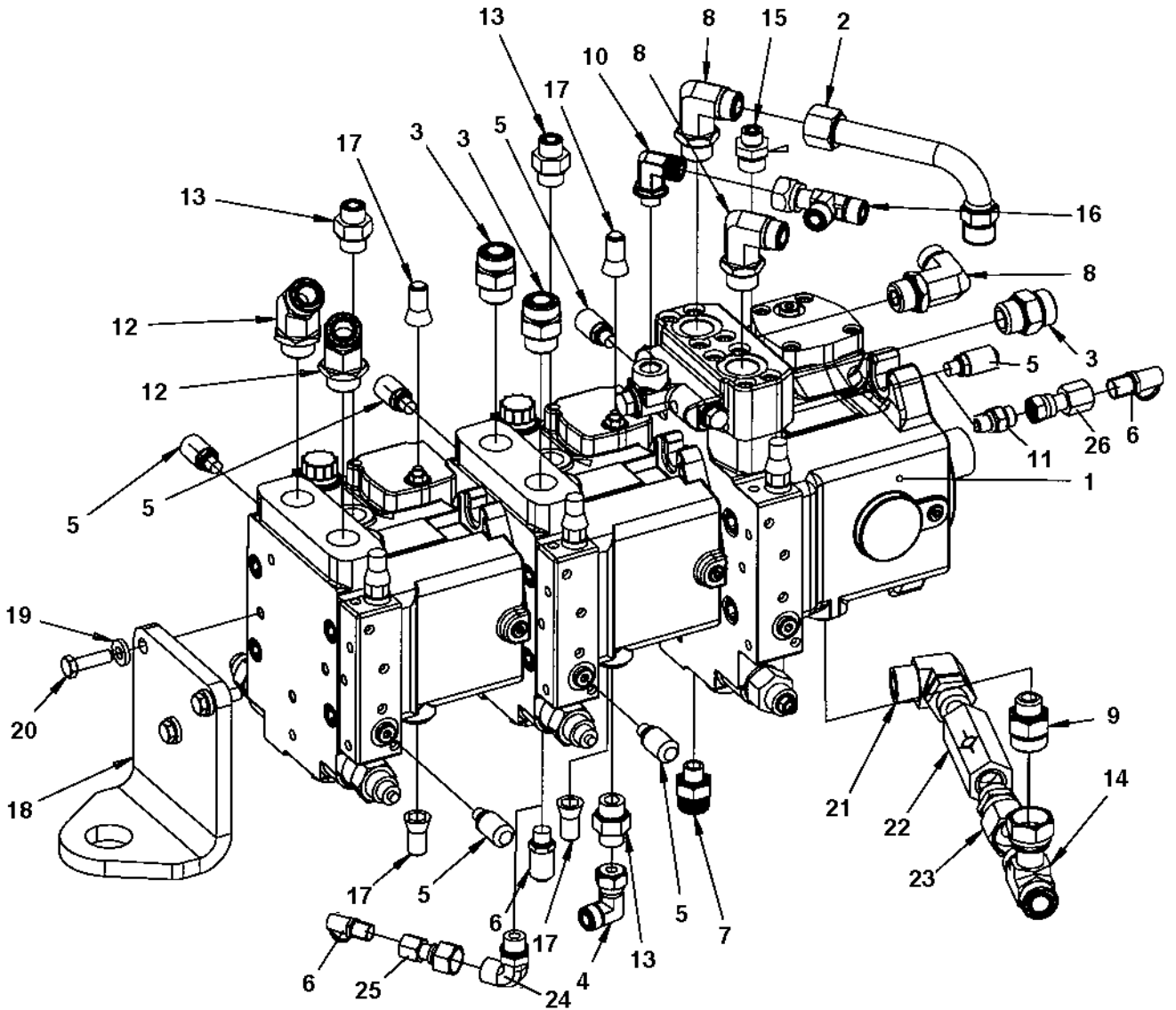


Hydraulic pump module

Ref. No.	Part No.	Rem.	Qty	Description	Code
1			1	Hydraulic pump (Page 242)	
2	904558		2	Washer	
3	500270		2	Screw	
4	393625		1	Spacer washer	
5	391165		2	Shock absorber	
6	345666		1	Steel spacer	
7	500107		1	Screw	
8	397270		1	Steel spacer	

Hydraulic pump

391561

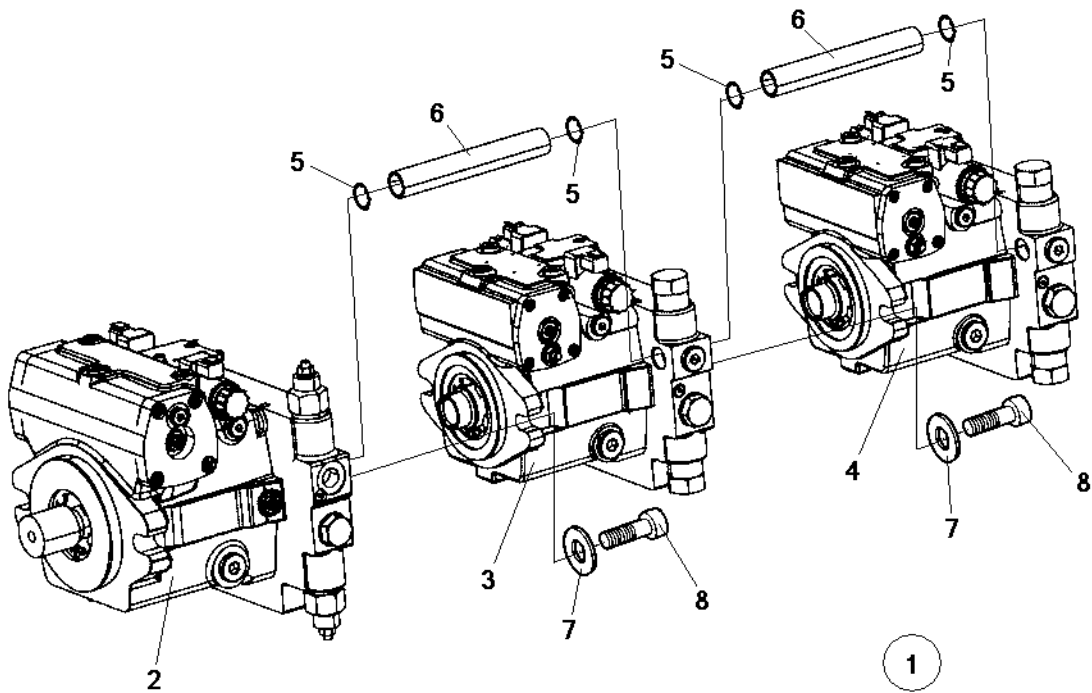


Hydraulic pump

Ref. No.	Part No.	Rem.	Qty	Description	Code
1	390602		1	Hydraulic pump (Page 244)	C
2	392048		1	Connector	
3	791853		3	Straight connector orfs	
4	791745		1	Elbow 90, O-ring with swivel	
5	901157		5	Measuring nipple	D
6	923405		2	Measuring nipple	D
7	792465		1	Straight connector orfs	
8	792331		3	Elbow 90 orfs	
9	792336		1	Straight connector orfs	
10	792333		1	Elbow 90 orfs	
11	791538		1	Straight connector	
12	792157		2	Elbow adapter 45	
13	791635		3	Straight connector	
14	791831		1	Tee-connector	
15	791634		1	Adapter	
16	791798		1	T-connector	
17	392534		4	Sealing	
18	393624		1	Engine bracket	
19	904557		3	Washer	
20	500030		3	Screw	
21	791698		1	Elbow 90, O-ring with swivel	
22	376922		1	Check valve	
23	791824		1	Straight connector	
24	792151		1	Elbow adapter 90	
25	792219		1	Straight connector	
26	792649		1	Straight connector orfs	

390602 Hydraulic pump

390602_1

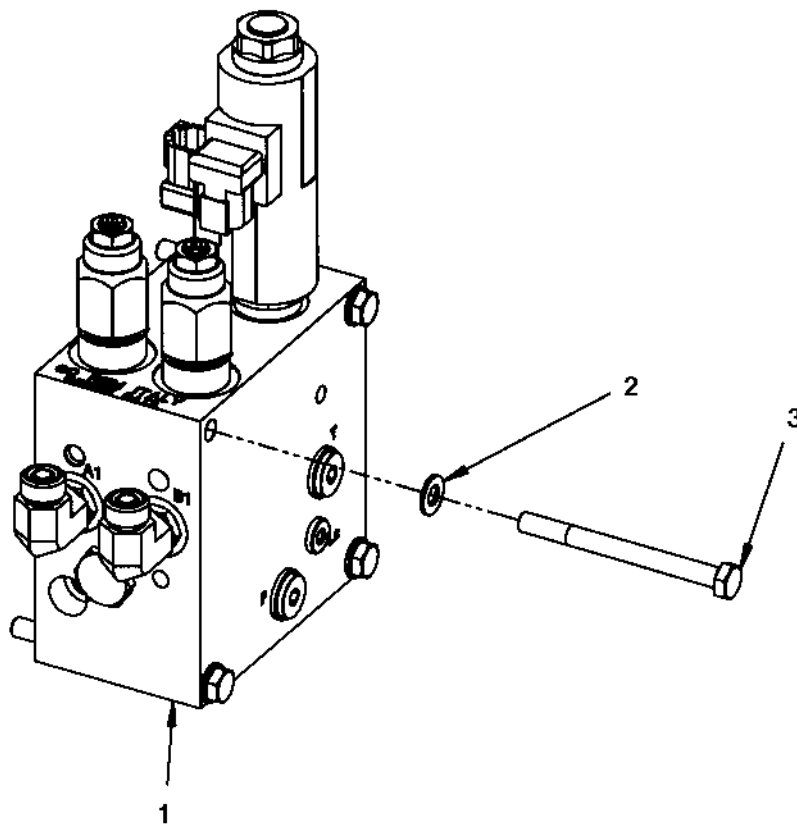


390602 Hydraulic pump

Ref. No.	Part No.	Rem.	Qty	Description	Code
1	390602		1	Hydraulic pump (Page 244)	C
2			1	.Hydraulic pump	C
3			1	.Hydraulic pump	C
4			1	.Hydraulic pump	C
5			4	.O-ring	C
6			2	.Socket pipe	C
7			4	.Washer	C
8			4	.Screw	C

Hydraulic valve module, offset

391575

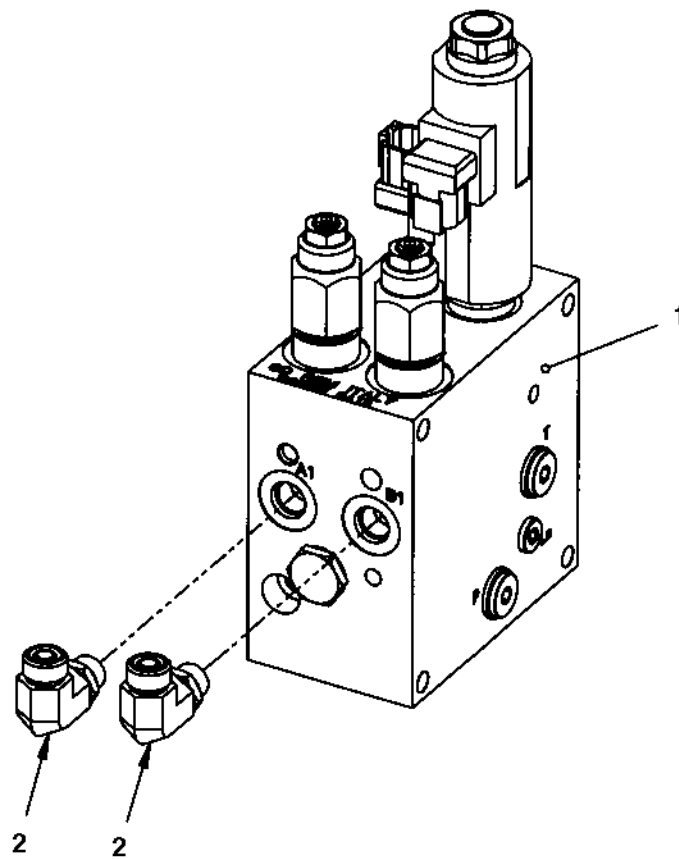


Hydraulic valve module, offset

Ref. No.	Part No.	Rem.	Qty	Description	Code
1			1	Hydraulic valve (Page 248)	
2	904229		4	Washer	
3	500115		4	Screw	M8-1,25x90 8.8

Hydraulic valve

391574



Hydraulic valve

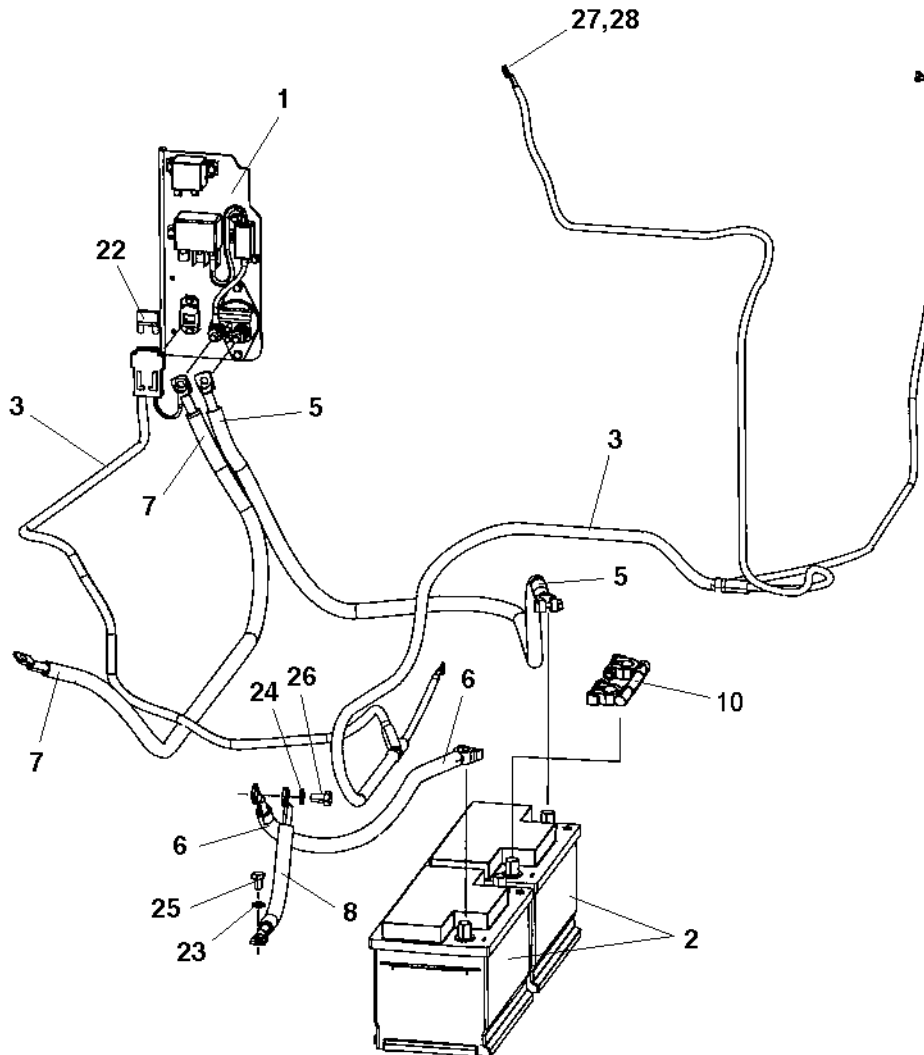
Ref. No.	Part No.	Rem.	Qty	Description	Code
1	391017		1	Hydraulic valve	C
2	791846		2	Elbow 90, O-ring with swivel	

Electrical equipment

Ref. No.	Part No.	Rem.	Qty	Description	Code
1				Electric cables, power supply (Page 252)	
2				Electric cables, power supply cab (Page 258)	
3				Electric cables, engine-ECU (Page 260)	
5				Electric cables, sensors/ horn/ back-up alarm (Page 266)	
6				Tachograph (Page 276)	
8				Driving & side direction lights (Page 284)	
9				Rotating beacon, working light (Page 304)	

Electric cables, power supply

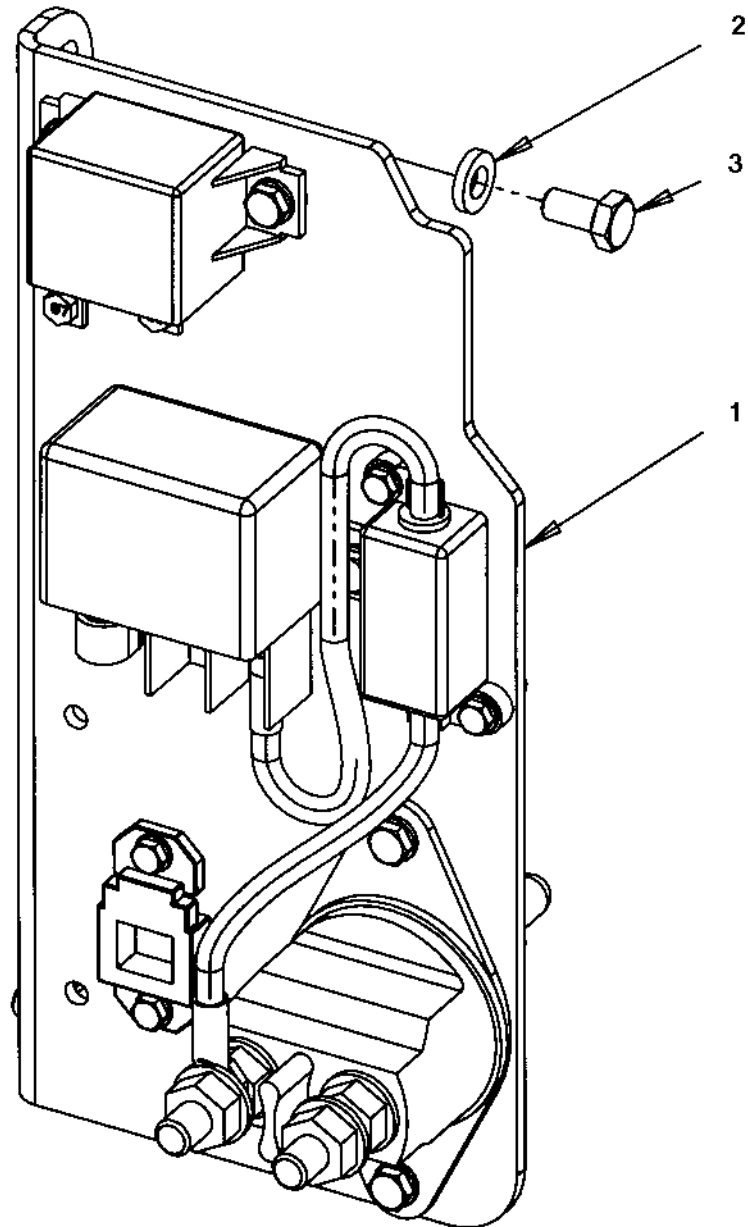
391686_1



Electric cables, power supply

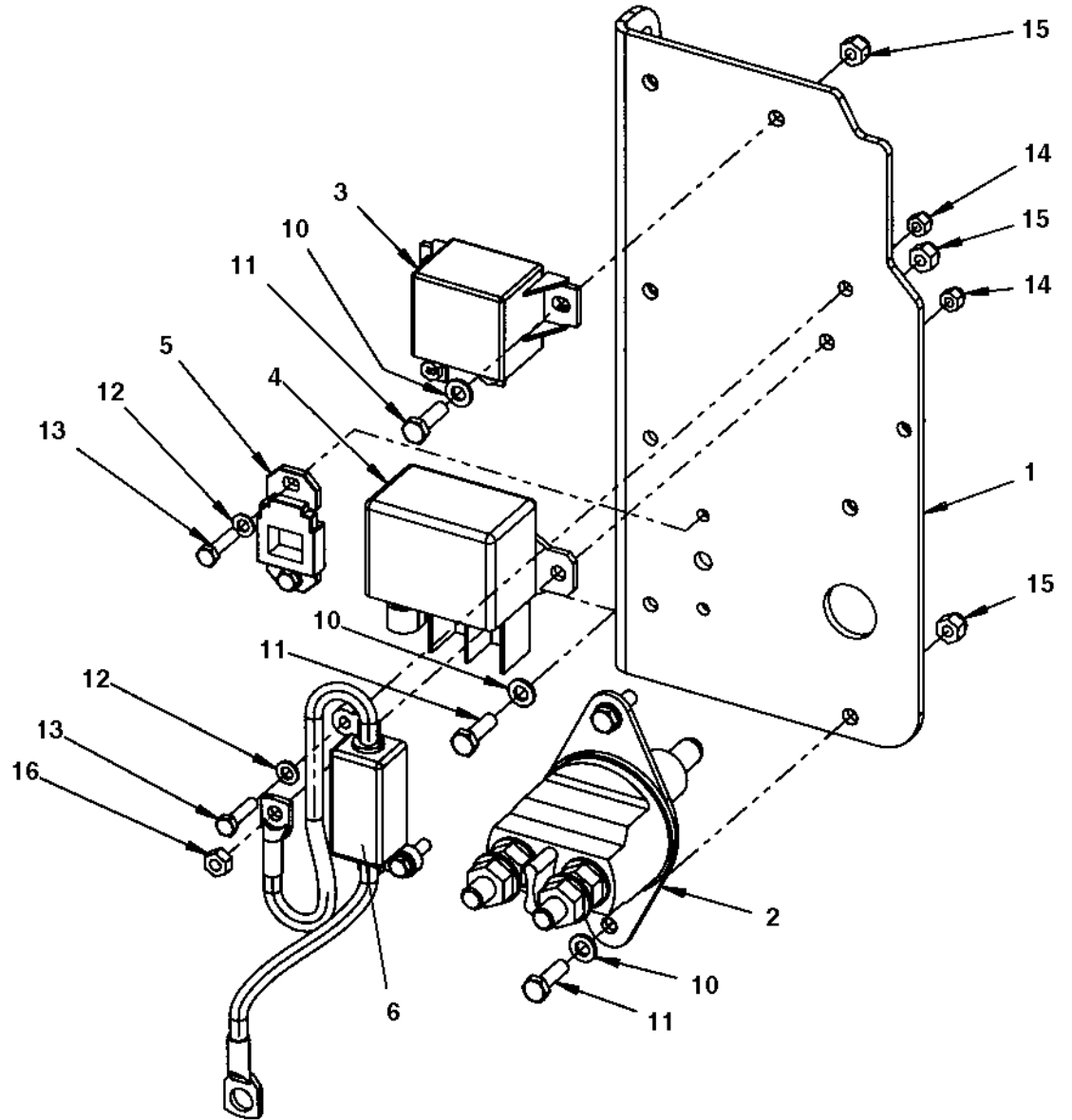
Ref. No.	Part No.	Rem.	Qty	Description		Code
1			1	Battery disconnecter (Page 254)		
2		A		Batteries		
3	391584		1	Cable harness, power supply		
5	792364		1	Battery cable	+	
6	792328		1	Battery cable	-	
7	792327		1	Connection cable, coarse		
8	335607		1	Connection cable, coarse		
10	792684		1	Battery union cable		
22	904039		1	Fuse	50A Red High	D
23	904637		1	Washer		
24	904638		1	Washer	12x22x2	
25	500043		1	Screw		
26	500035		1	Screw	M12x020H	
27	904229		1	Washer		
28	570005		1	Nut		

A) See section " Engine structure"



Battery disconnecter

Ref. No.	Part No.	Rem.	Qty	Description	Code
1			1	Battery disconnecter (Page 256)	
2	904556		3	Washer	
3	500019		3	Screw	



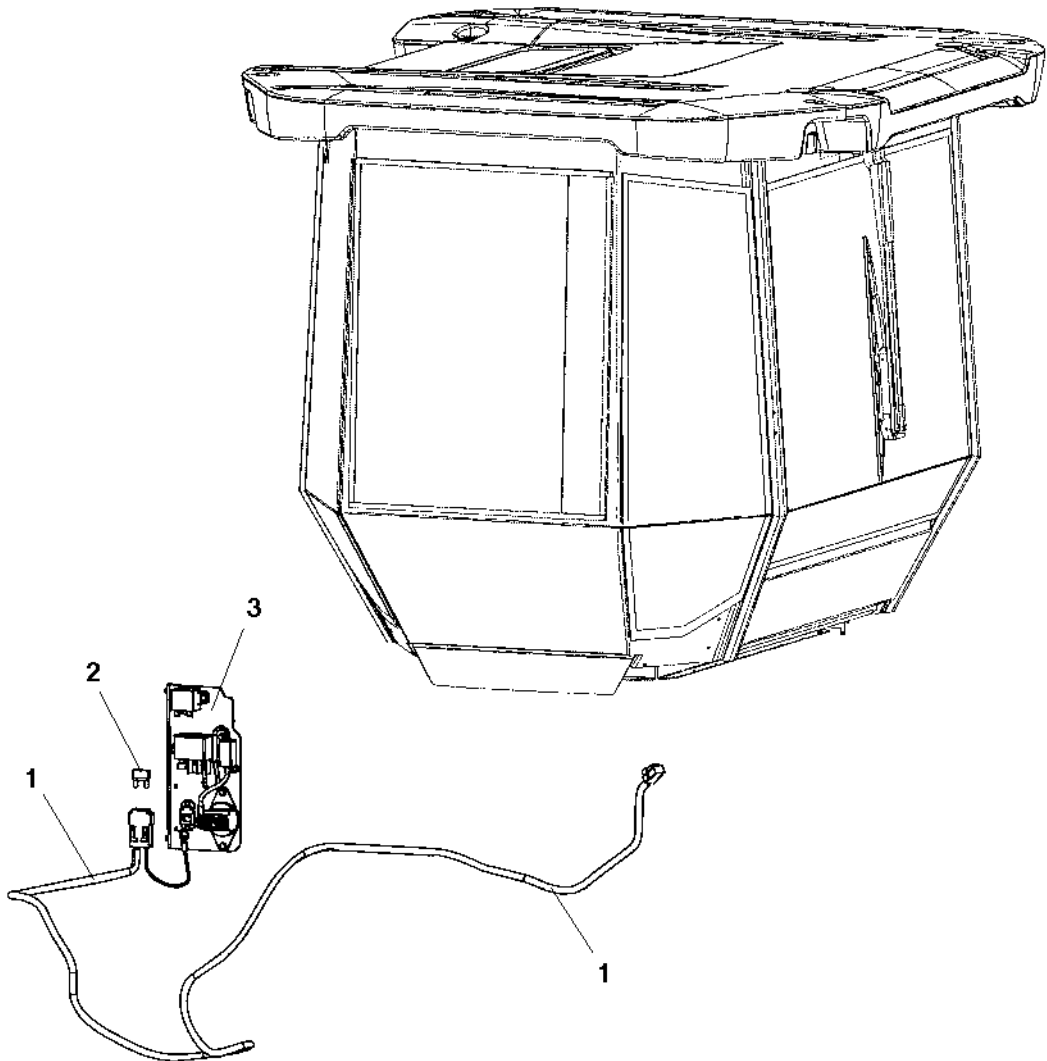
Battery disconnecter

Ref. No.	Part No.	Rem.	Qty	Description	Code
1	391269		1	Holder	
2	903640		1	Battery switch	D
	903641		1	.Key	D
3	792309		1	Relay	D
4	792310		1	Relay	
5	904036		1	Fuse holder	
6	391585	A	1	Cable harness	
	791479		1	.Fuse, Orange	125A
10	904228		6	Washer	
11	500040		6	Screw	
12	904281		4	Washer	
13	500060		4	Screw	M5-0,8x20 8.8
14	586001		4	Lock nut	
15	586002		6	Lock nut	
16	570004		1	Nut	M6

A) Pre-heater

Electric cables, power supply cab

392792

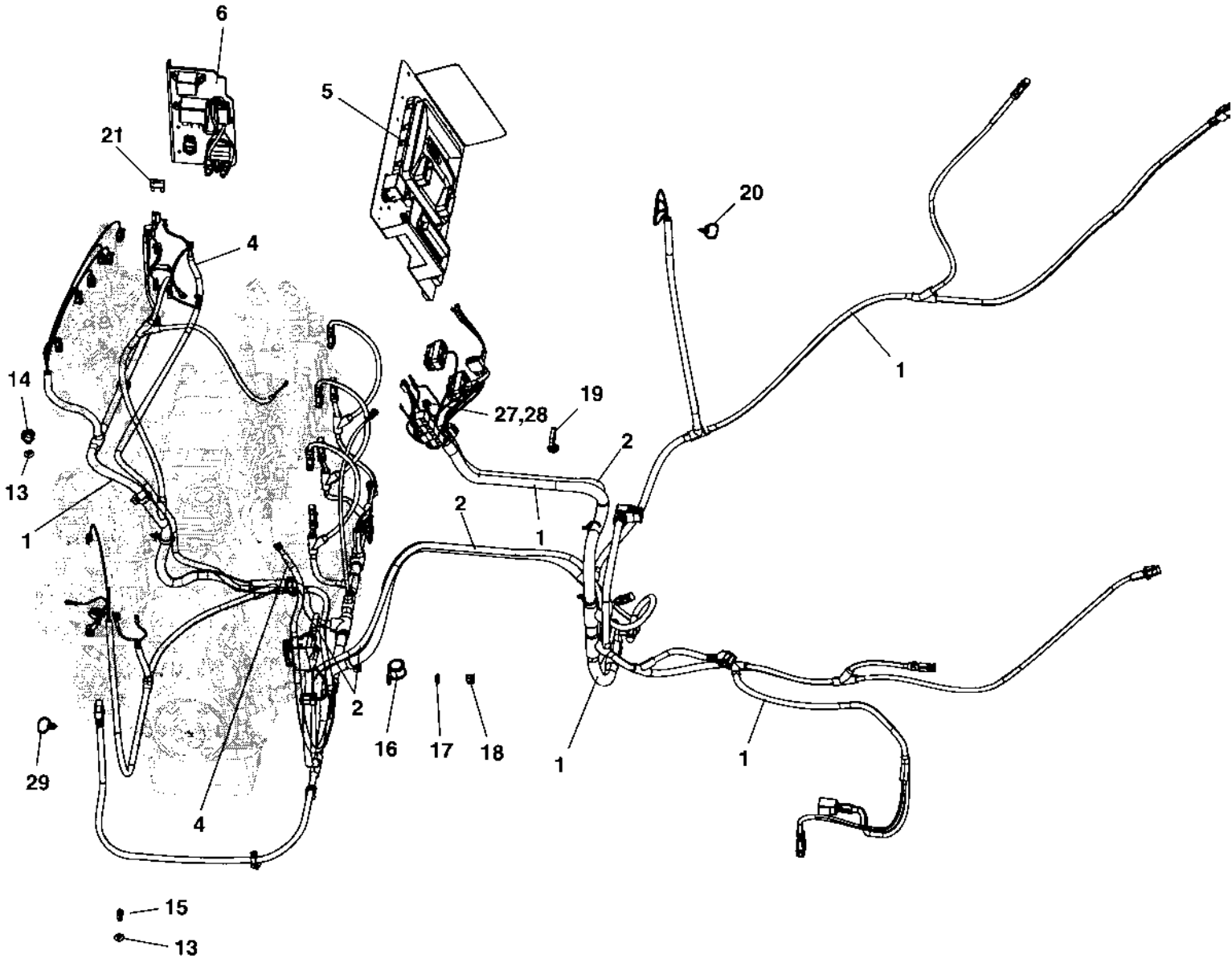


Electric cables, power supply cab

Ref. No.	Part No.	Rem. Qty	Description	Code
1	392156	1	Cable harness, power supply	Cab
2	904039	1	Fuse	50A Red High
3		1	Battery disconnecter (Page 254)	D

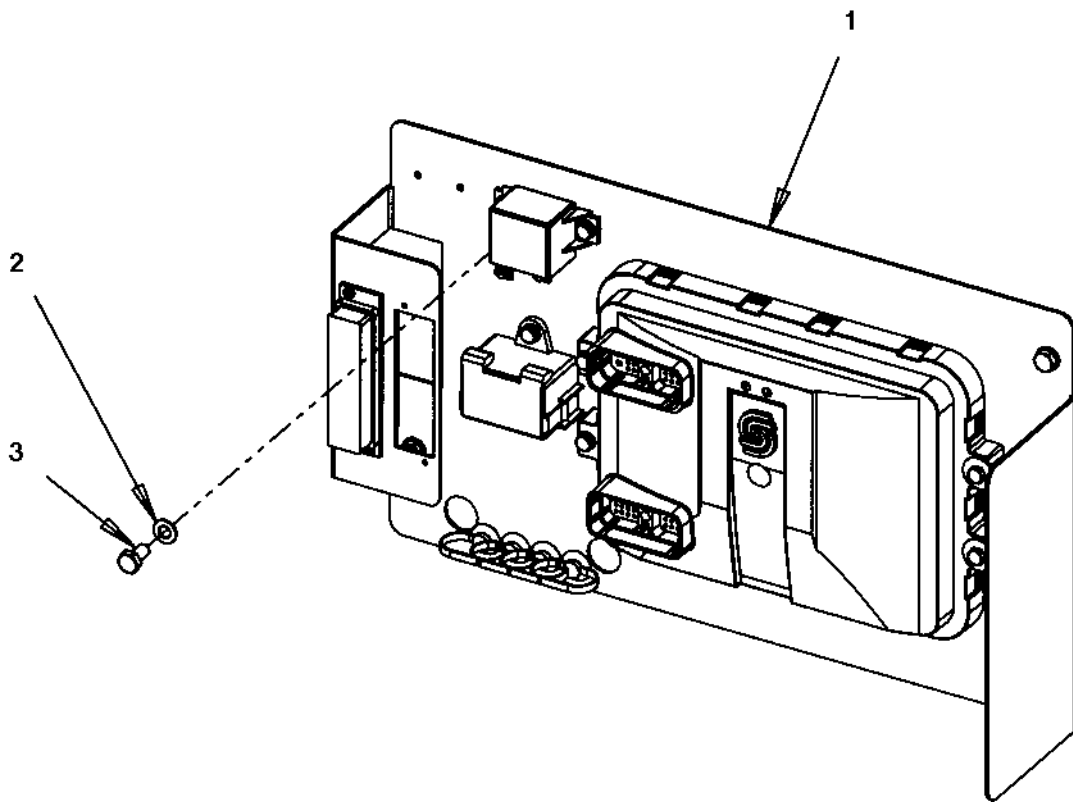
Electric cables, engine-ECU

391686_2



Electric cables, engine-ECU

Ref. No.	Part No.	Rem.	Qty	Description	Code
1	396257		1	Cable harness, ECU	
2	391958		1	Cable harness, CanBus	
4	792363		1	Connection cable, coarse	
5			1	Standard ECU module (Page 262)	
6			1	Battery disconnecter (Page 256)	
13	792419		19	T-stud	
14	792418		15	Wiring clip	
15	792417		4	Wiring clip	
16	921031		1	Clamp	
17	904228		1	Washer	
18	586002		1	Lock nut	
19	792442		1	Cable tie with holder	
20	792441		1	Cable tie with holder	
21	904037		1	Fuse	30A D
27	904229		2	Washer	
28	570005		2	Nut	
29	792602		1	Cable tie with holder	

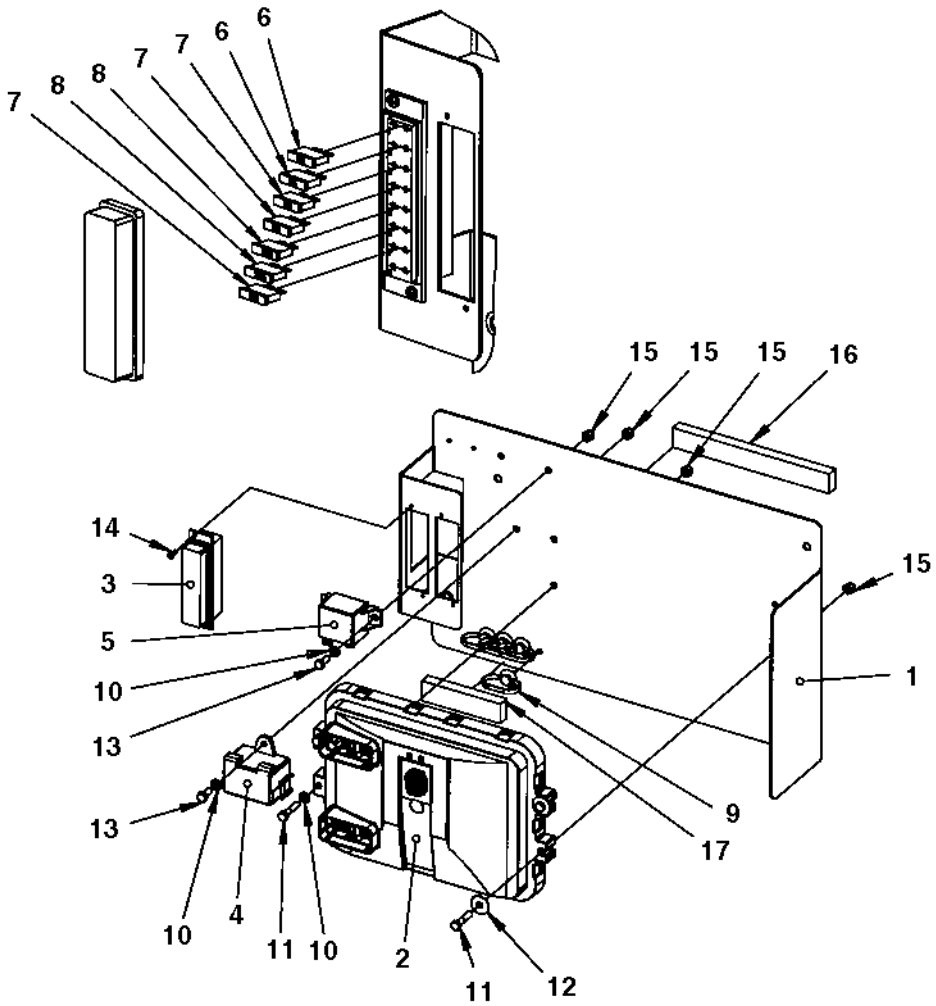


Standard ECU module

Ref. No.	Part No.	Rem.	Qty	Description	Code
1			1	Standard ECU assembly (Page 264)	
2	904229		4	Washer	
3	500019		4	Screw	

Standard ECU assembly

391633



Standard ECU assembly

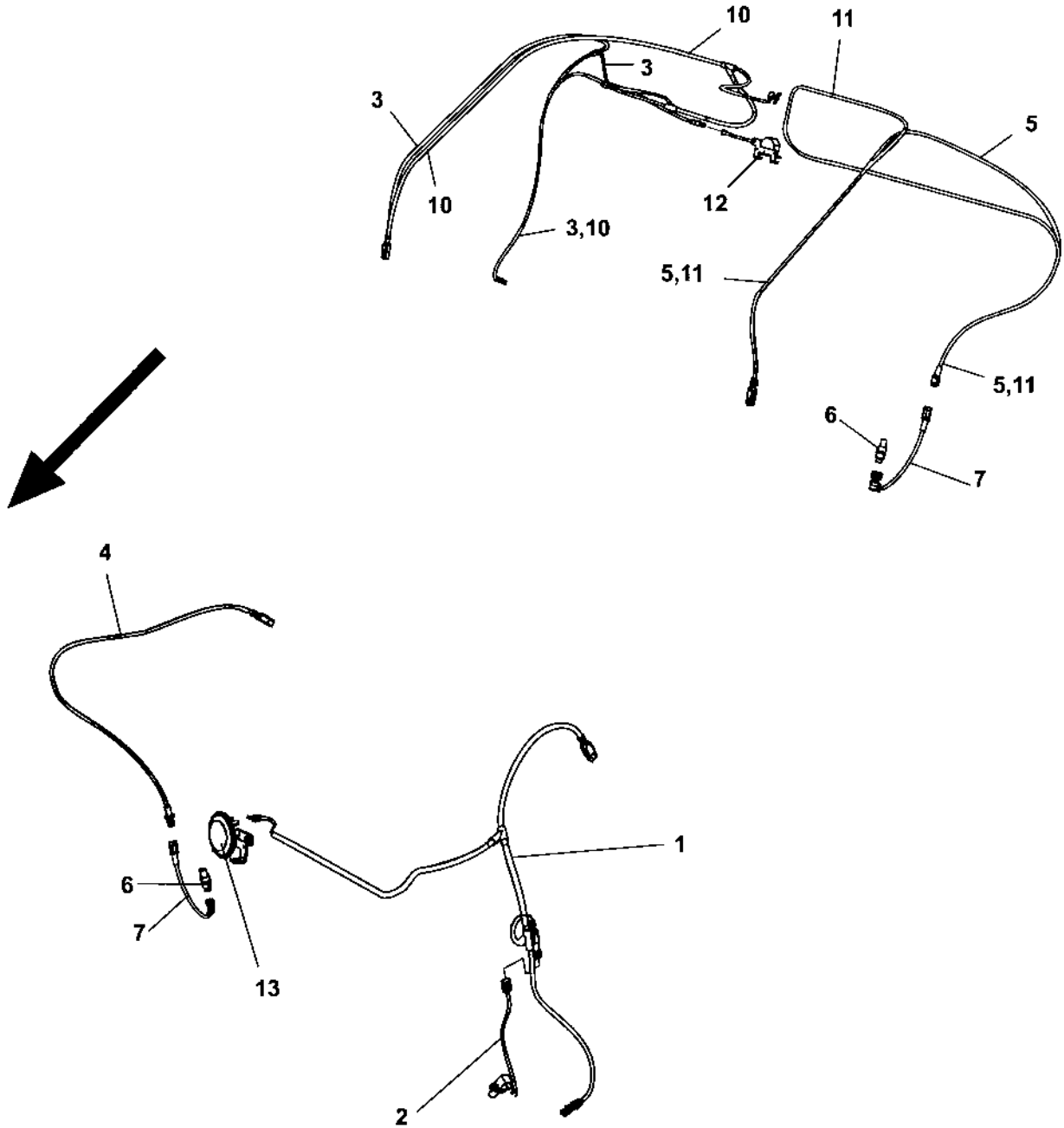
Ref. No.	Part No.	Rem.	Qty	Description	Code
1	391213		1	Mounting plate	
2	390860		1	Control unit	
3	791185		2	Fuse box	
4	791551		1	Junction block	
5	792309		1	Relay	D
6	901225		2	Fuse	5A B
7	901227		3	Fuse	10A B
8	903741		2	Fuse	20A Yellow Medium B
9	792441		4	Cable tie with holder	
10	904228		5	Washer	
11	500015		4	Screw	M6-1x30 8,8
12	928467		2	Washer	
13	500013		3	Screw	
14	901767		4	Screw	ST3,5x9,5 Black
15	586002		7	Lock nut	
16	791597	A	1XL	Rubber strip	
17	791597	B	1XL	Rubber strip	

A) L= 0,2 m

B) L= 0,1 m

Electric cables, sensors/ horn/ back-up alarm

18759-1



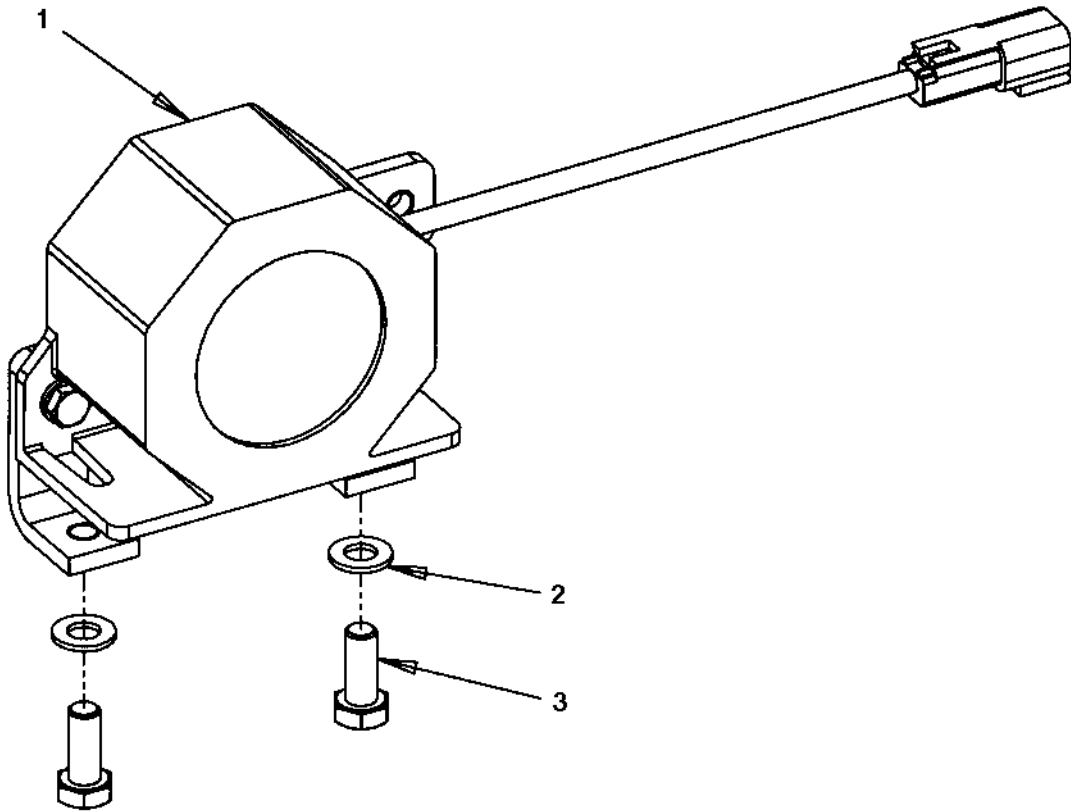
Electric cables, sensors/ horn/ back-up alarm

Ref. No.	Part No.	Rem.	Qty	Description	Code
1	391580	A,C	1	Cable harness	
2	390716		1	Speed sensor	
3	391583	B	1	Cable harness	
4	396259	A,D	1	Cable harness	
5	396260	B,D	1	Cable harness	
6	792731		2	Frequency sensor	
7	392221		2	Mount kit for sensor	
10	391955	E	1	Cable harness	
11	396261	D,E	1	Cable harness	
12			1	Back-up alarm (Page 268)	
13			1	Horn module (Page 272)	

- A) Front drum
- B) Rear drum, Std
- C) Speed
- D) Frequency
- E) Rear drum, offset

Back-up alarm

391636

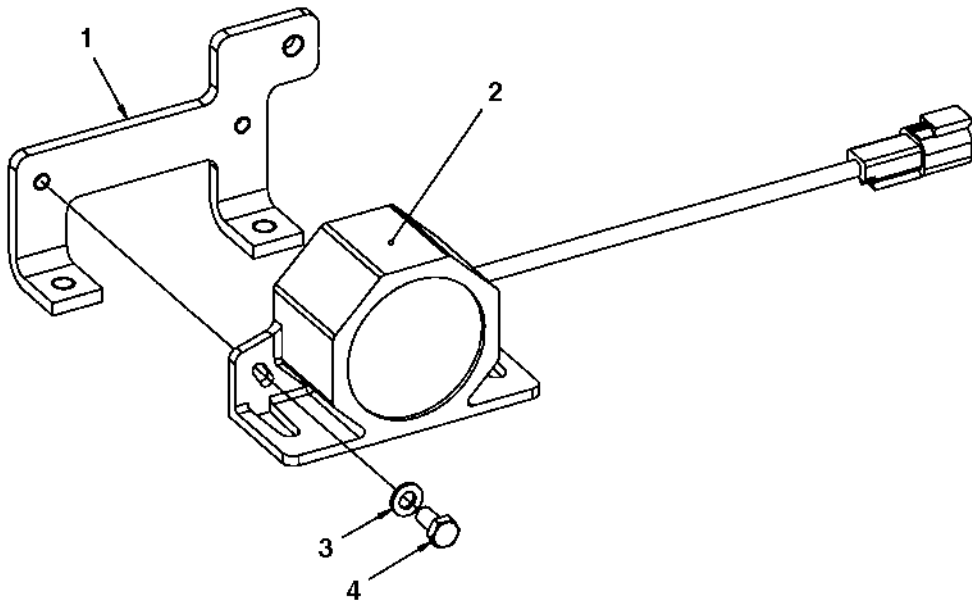


Back-up alarm

Ref. No.	Part No.	Rem.	Qty	Description	Code
1			1	Back-up alarm (Page 270)	
2	904229		2	Washer	
3	500053		2	Screw	

Back-up alarm

391637

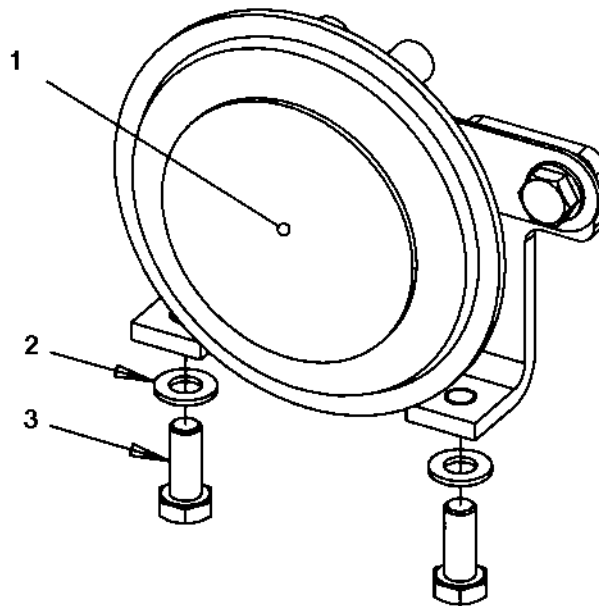


Back-up alarm

Ref. No.	Part No.	Rem.	Qty	Description	Code
1	390826		1	Bracket	
2	904911		1	Back-up alarm	
3	904228		2	Washer	
4	500012		2	Screw	

Horn module

391638

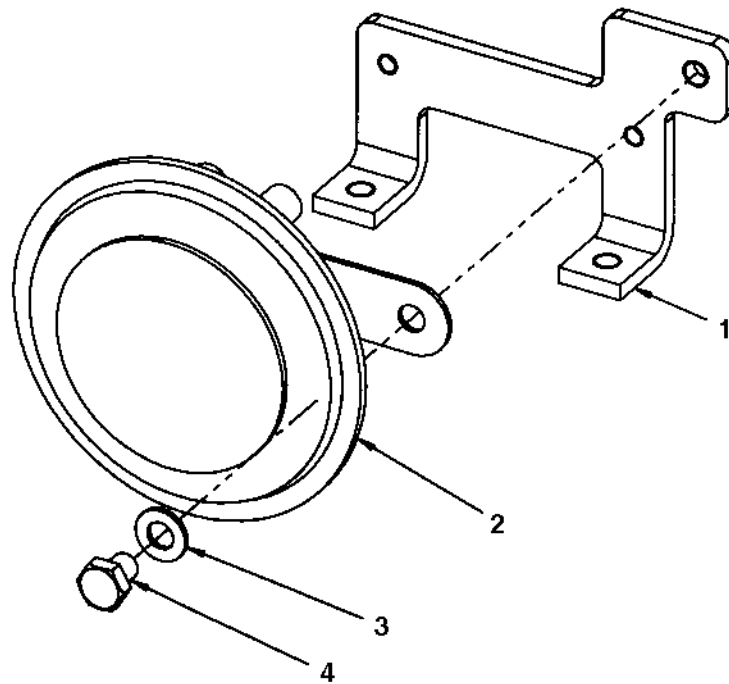


Horn module

Ref. No.	Part No.	Rem.	Qty	Description	Code
1			1	Horn (Page 274)	
2	904229		2	Washer	
3	500053		2	Screw	

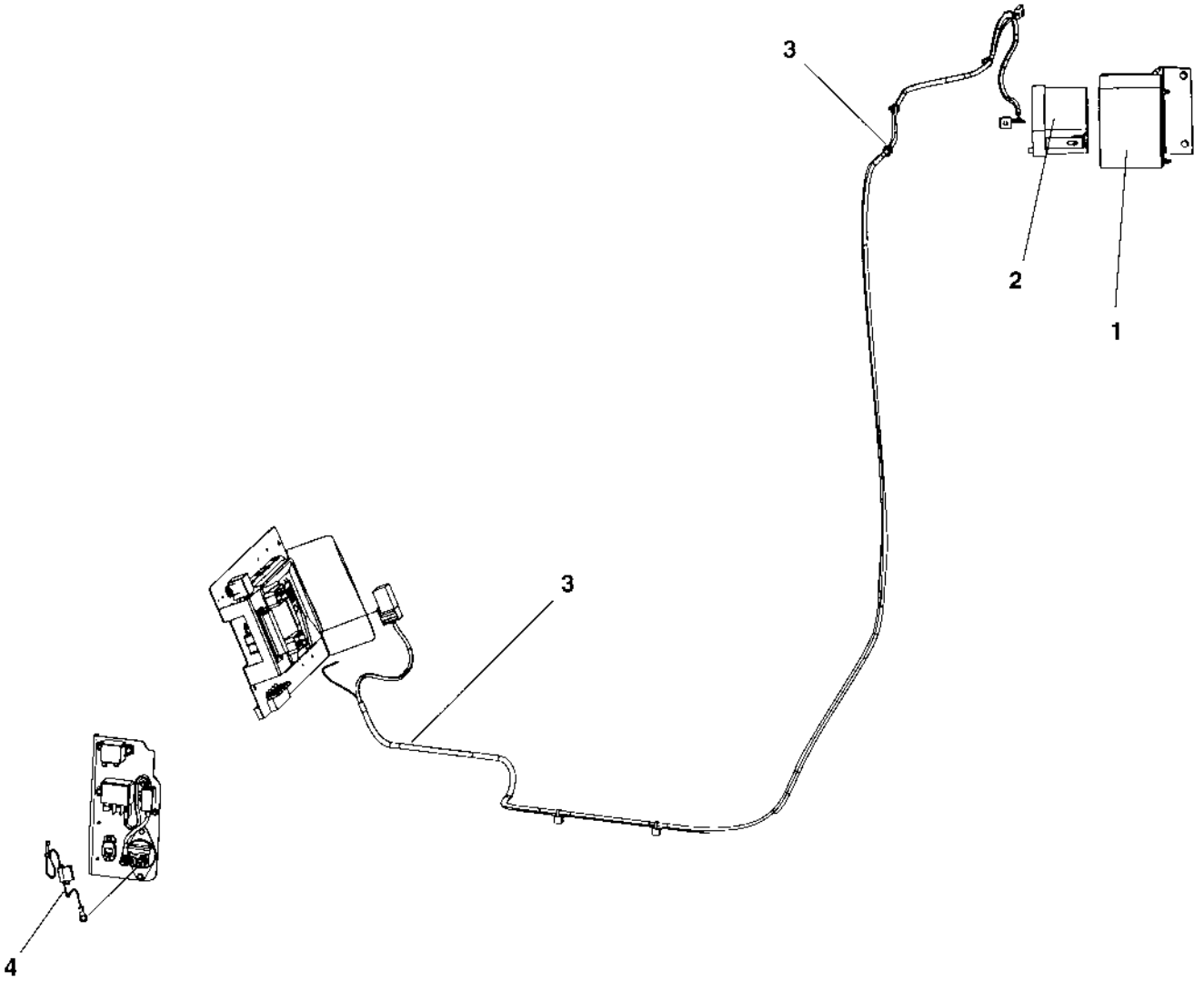
Horn

391639



Horn

Ref. No.	Part No.	Rem. Qty	Description	Code
1	390826	1	Bracket	
2	999014	1	Horn	
3	904229	1	Washer	
4	500042	1	Screw	

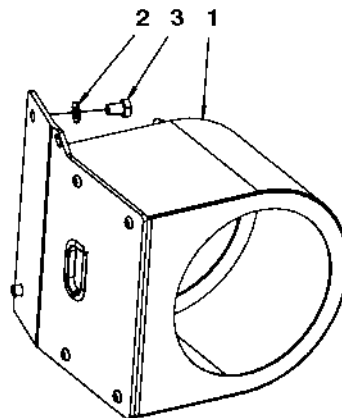


Tachograph

Ref. No.	Part No.	Rem.	Qty	Description	Code
1			1	Tachograph holder module (Page 278)	
2	395226		1	Tachograph	
3			1	Cable harness kit (Page 280)	
4			1	Power supply module (Page 282)	

Tachograph holder module

393812

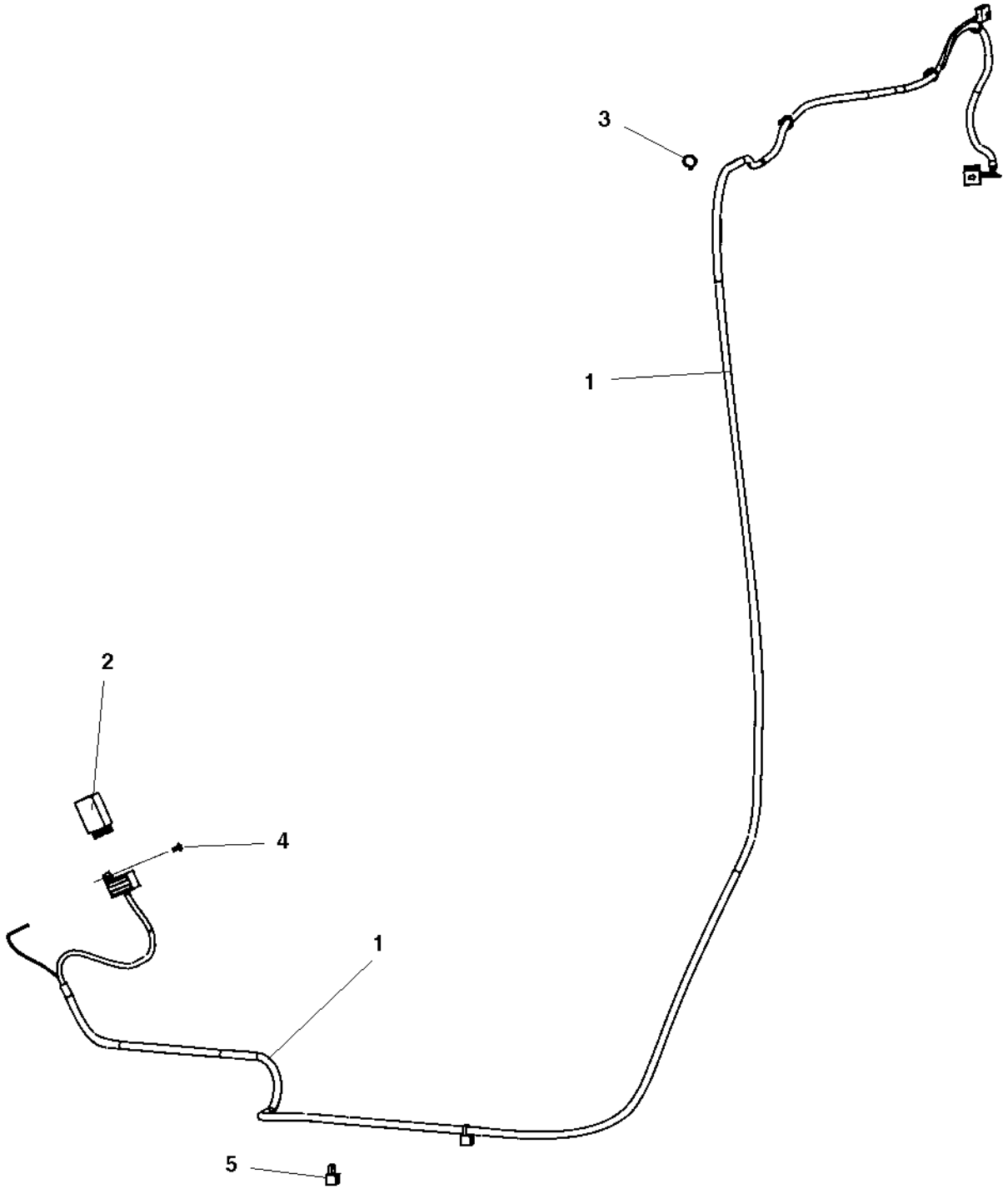


Tachograph holder module

Ref. No.	Part No.	Rem.	Qty	Description	Code
1	393776		1	Tachograph holder	
2	904229		2	Washer	
3	500018		2	Screw	M8-1,25x12 8,8

Cable harness kit

394930

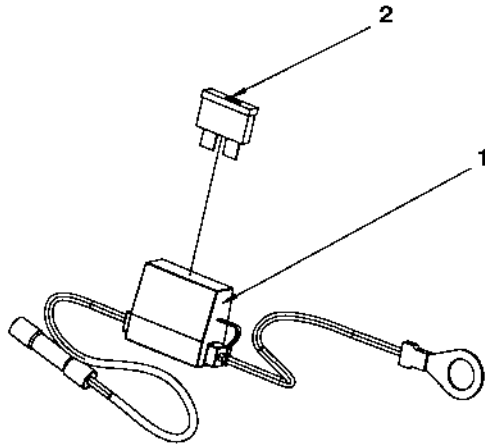


Cable harness kit

Ref. No.	Part No.	Rem.	Qty	Description	Code
1	394931		1	Cable harness	
2	395023		1	Frequency converter	
3	313041		8	Cable ties	
4	792210		1	Screw torx	
5	792667		2	Cable tie with holder	

Power supply module

394698

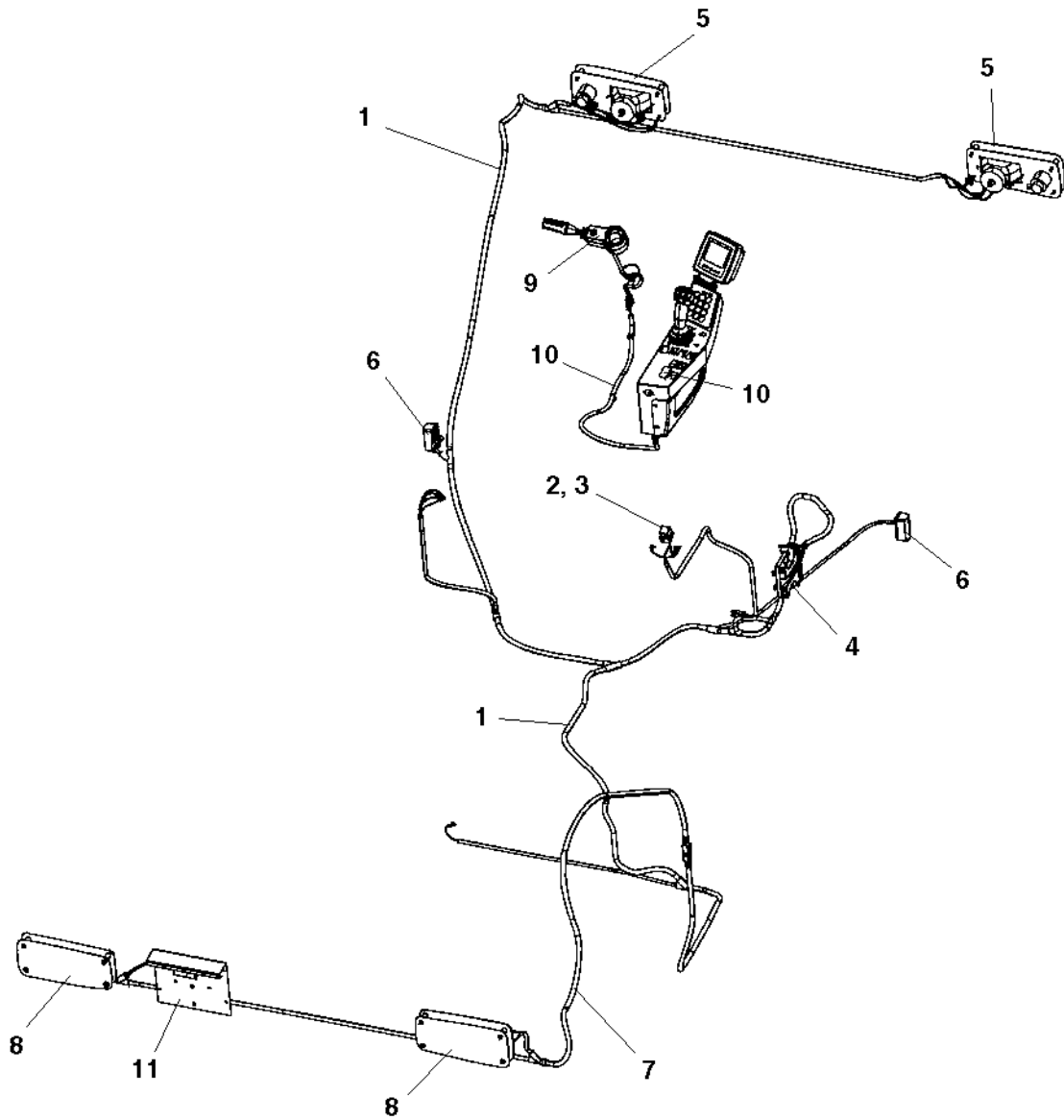


Power supply module

Ref. No.	Part No.	Rem.	Qty	Description	Code
1	394696		1	Power supply cable	
2	901227		1	Fuse	10A B

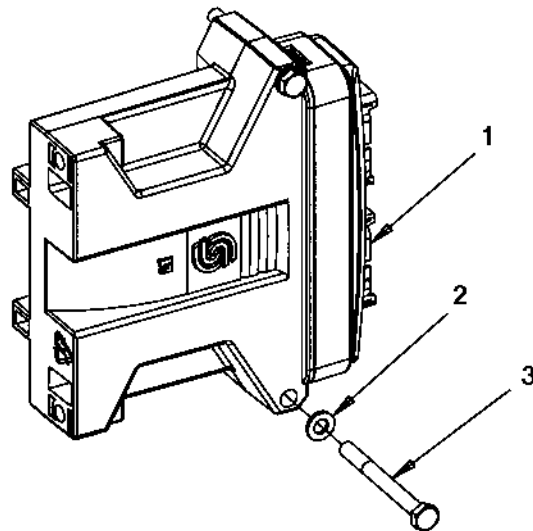
Driving & side direction lights

18646



Driving & side direction lights

Ref. No.	Part No.	Rem.	Qty	Description	Code
1	392152		1	Cable harness	
2	792422		1	Relay	
3	792210		1	Screw torx	
4			1	Accessories ECU module (Page 286)	
5			2	Driving lights, front (Page 288)	RH
			2	Driving lights, front (Page 290)	LH
6			2	Turn signals (Page 292)	
7	392154		1	Cable harness	Std
	392155		1	Cable harness	Off-set
8			2	Driving lights, rear (Page 294)	
9			1	Steering column switch module (Page 296)	
10			1	Cable harness and switch module (Page 298)	
11			1	Registration plate light module (Page 300)	

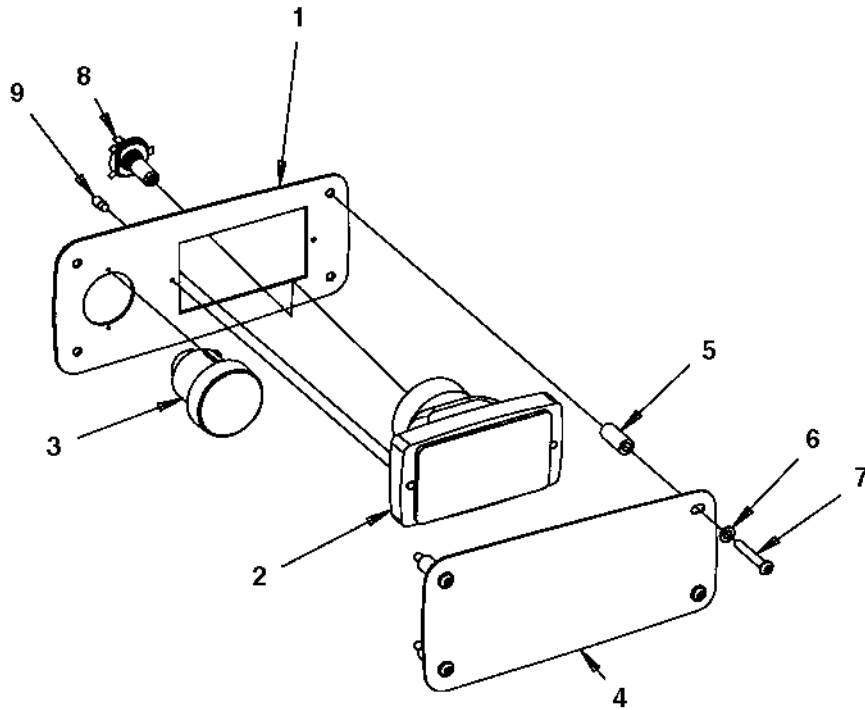


Accessories ECU module

Ref. No.	Part No.	Rem.	Qty	Description	Code
1	390862		1	Control unit without software	
2	904228		2	Washer	
3	500187		2	Screw	M6x60

Driving lights, front RH

391644

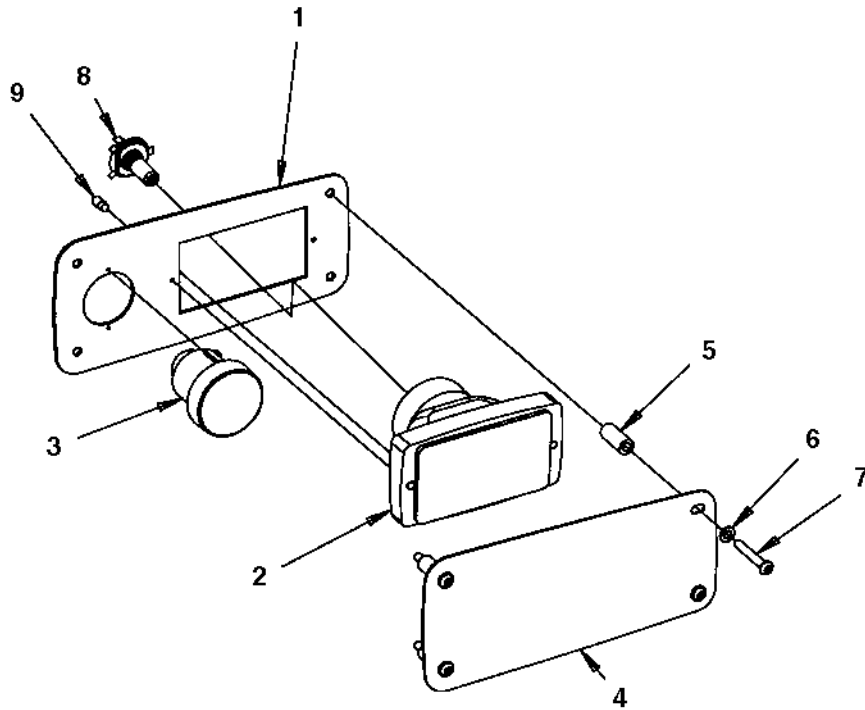


Driving lights, front RH

Ref. No.	Part No.	Rem.	Qty	Description	Code
1	390434		1	Lights bracket	
2	791951		1	Headlight	
3	792521		1	Direction indicator	
4	390436		1	Protecting cover	
5	391115		4	Spacer sleeve	
6	904229		4	Washer	
7	792361		4	Hexagon socket head cap screw	
8	792353		1	Bulb	24V 75/70W H4
9	792350		1	Bulb	24V 2W

Driving lights, front LH

391645

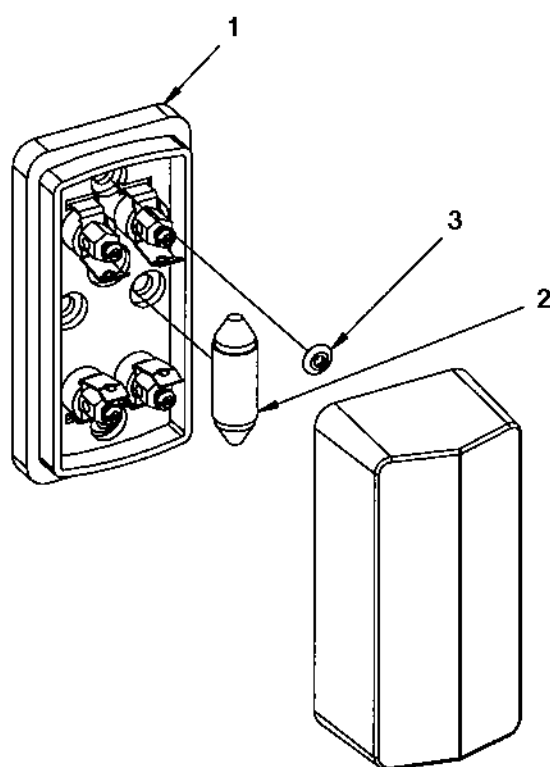


Driving lights, front LH

Ref. No.	Part No.	Rem.	Qty	Description	Code
1	390434		1	Lights bracket	
2	792059		1	Headlight	
3	792521		1	Direction indicator	
4	390436		1	Protecting cover	
5	391115		4	Spacer sleeve	
6	904229		4	Washer	
7	792361		4	Hexagon socket head cap screw	
8	792353		1	Bulb	24V 75/70W H4
9	792350		1	Bulb	24V 2W

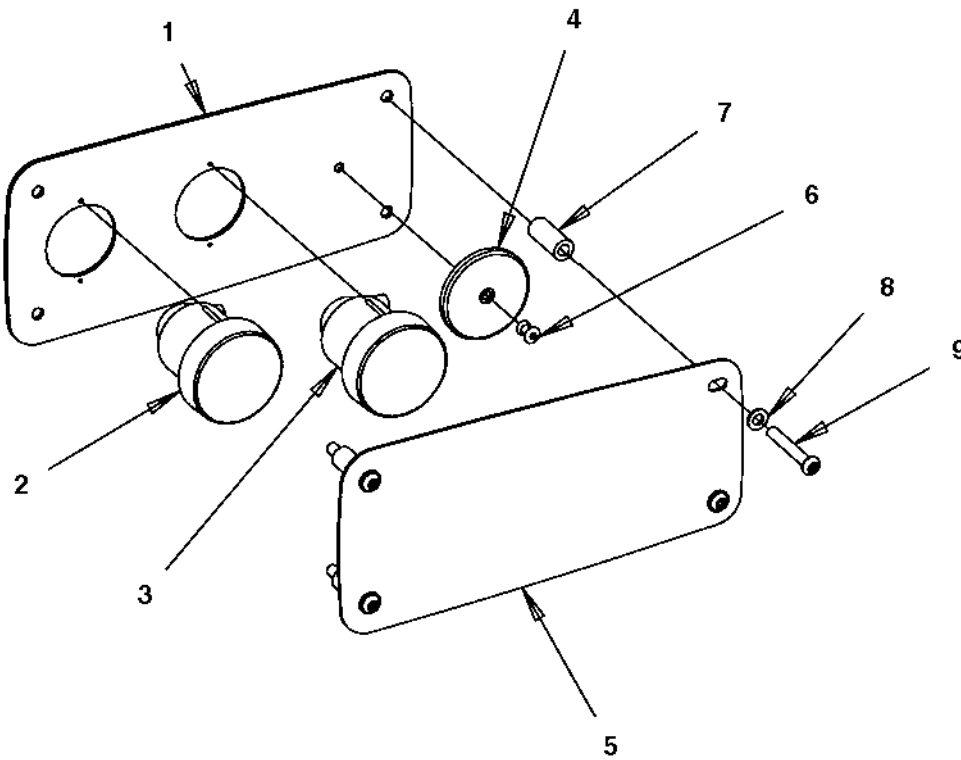
Turn signals

392278



Turn signals

Ref. No.	Part No.	Rem.	Qty	Description	Code
1	902064		1	Direction lights	
2	792354		1	Bulb	24V 5W
3	923253		2	Rivet	

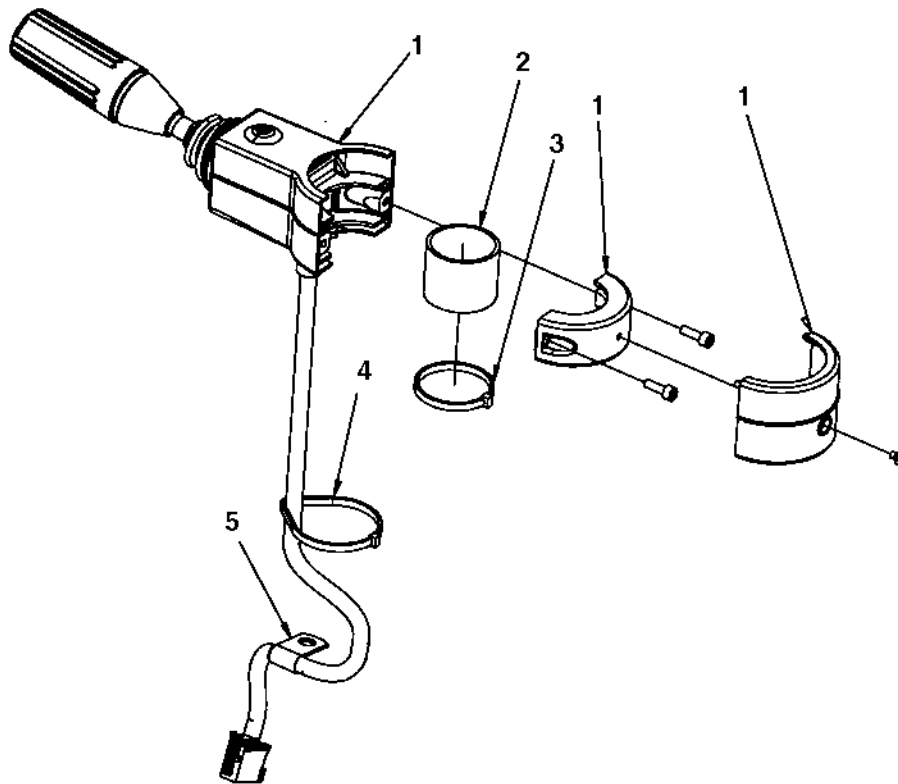


Driving lights, rear

Ref. No.	Part No.	Rem.	Qty	Description	Code
1	390435		1	Lights bracket	
2	792520		1	Direction indicator	
3	792519		1	Brake/position light	
4	791956		1	Reflector, red	
5	390436		1	Protecting cover	
6	791754		1	Blind rivet	
7	391115		4	Spacer sleeve	
8	904229		4	Washer	
9	792361		4	Hexagon socket head cap screw	

Steering column switch module

392449

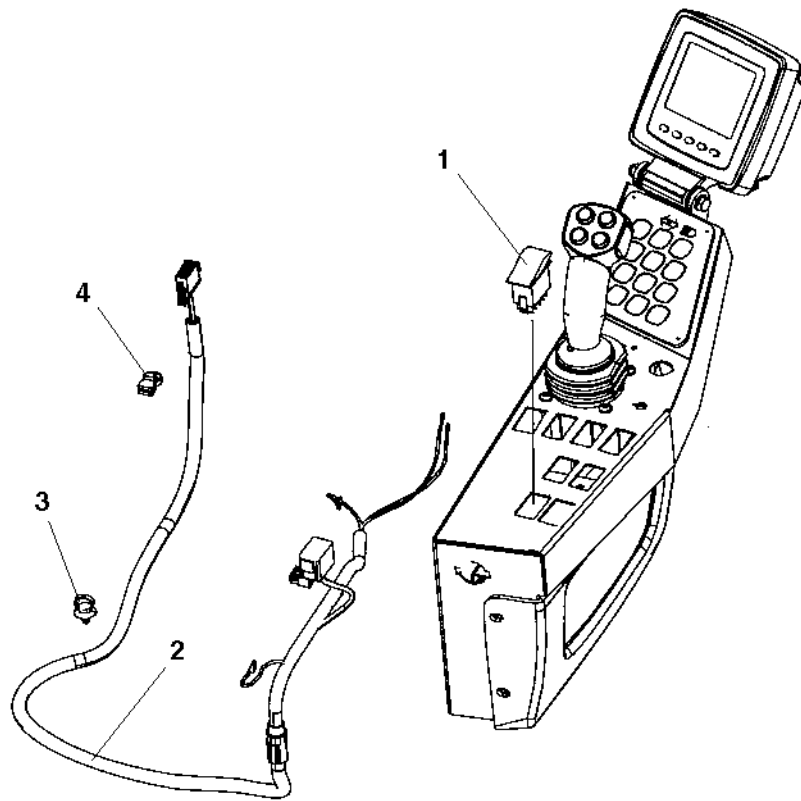


Steering column switch module

Ref. No.	Part No.	Rem.	Qty	Description	Code
1	392450		1	Steering column switch	
2	392451		1	Rubber cloth	
3	313041		1	Cable ties	
4	792609		1	Cable ties	
5	921077		1	Clamp	

Cable harness and switch module

392279

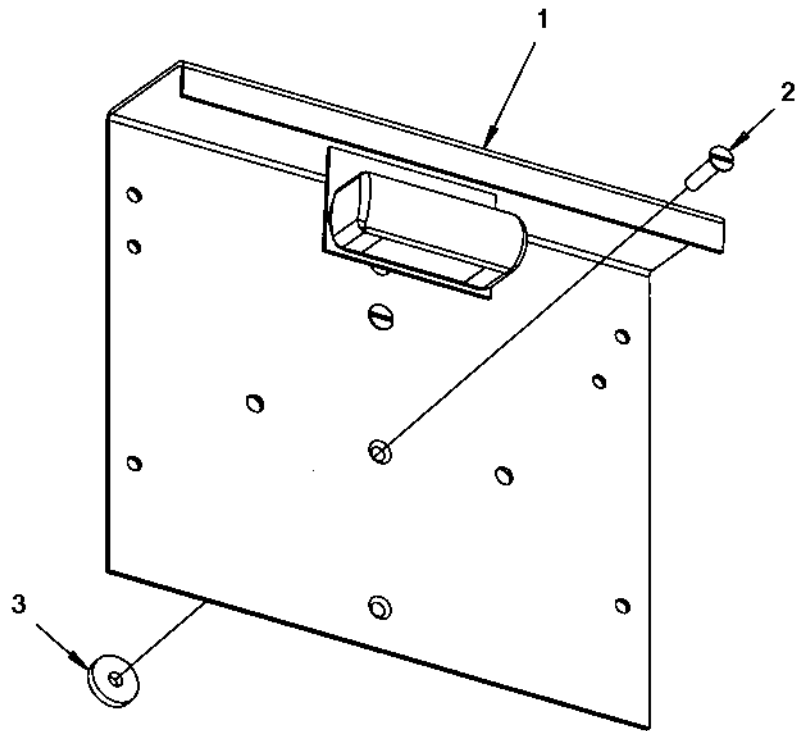


Cable harness and switch module

Ref. No.	Part No.	Rem.	Qty	Description	Code
1	792398		1	Switch	
2	392153		1	Cable harness	
3	792441		1	Cable tie with holder	
4	792537		1	Cable tie with holder	

Registration plate light module

392375

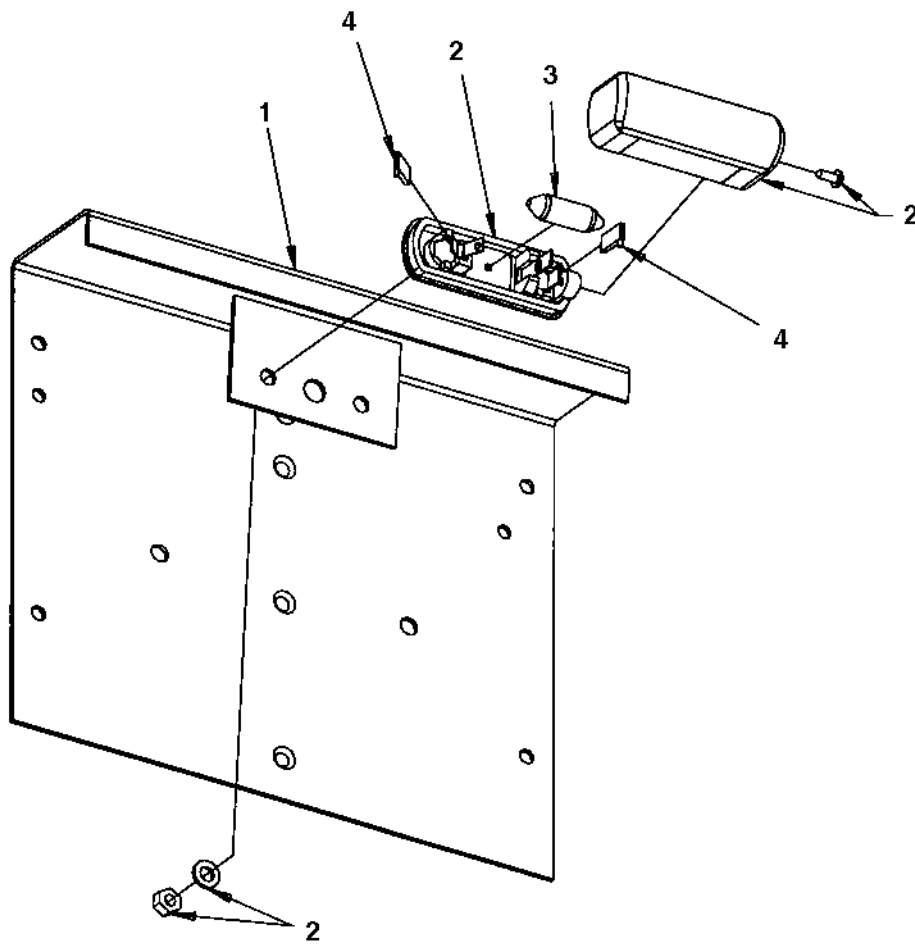


Registration plate light module

Ref. No.	Part No.	Rem.	Qty	Description	Code
1			1	Registration plate light (Page 302)	
2	535017		2	Screw	
3	904735		2	Washer	

Registration plate light

392376

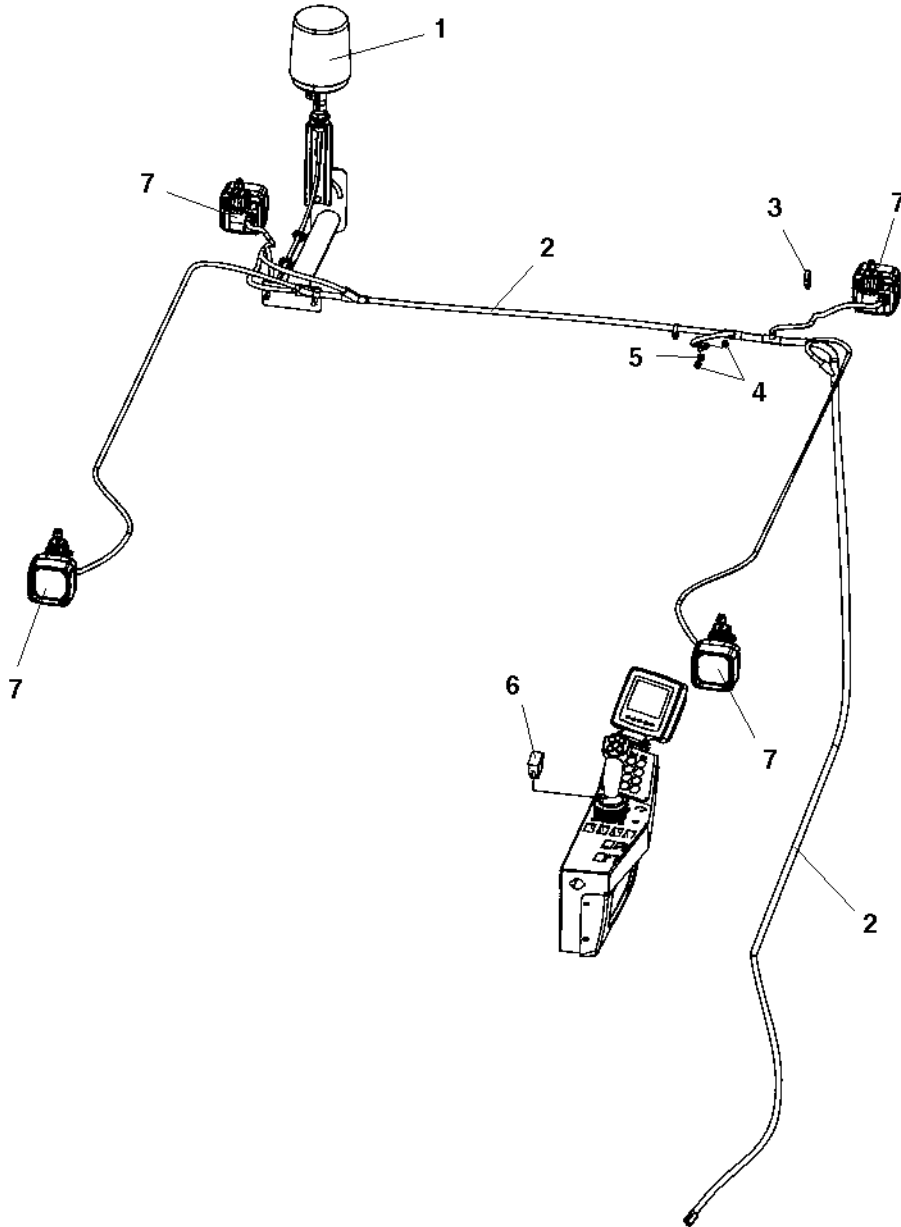


Registration plate light

Ref. No.	Part No.	Rem.	Qty	Description	Code
1	355797		1	Licence plate holder	
2	929455		1	Licence plate light	
3	792354		1	Bulb	24V 5W
4	792035		2	Push-on terminal	

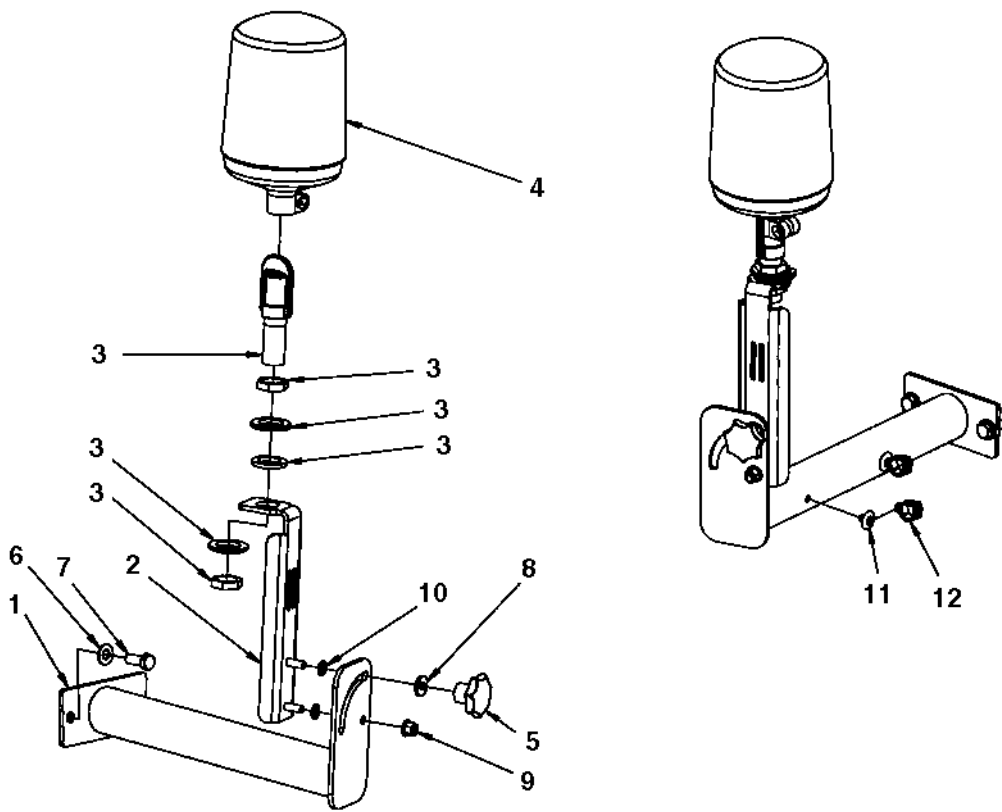
Rotating beacon, working light

18647



Rotating beacon, working light

Ref. No.	Part No.	Rem.	Qty	Description	Code
1			1	Rotating beacon module (Page 306)	
2	391957		1	Cable harness	
3	313102	N		Cable ties	
4	570005		2	Nut	
5	904229		1	Washer	
6	792397		1	Switch	
7			4	Working light module (Page 308)	H3
			4	Working light module (Page 310)	Xenon

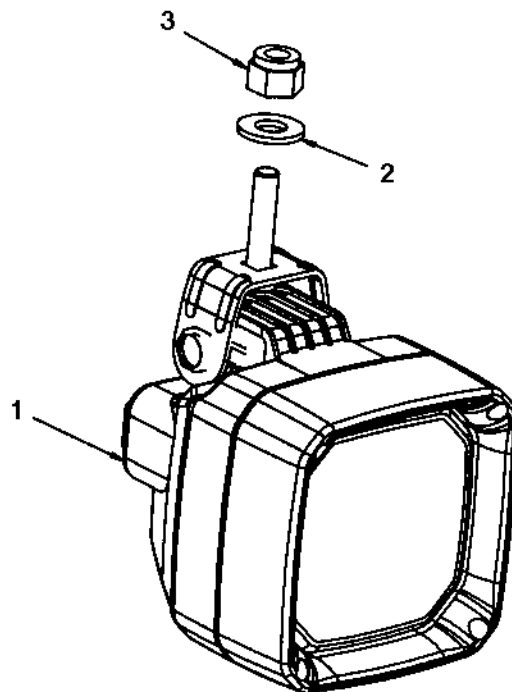


Rotating beacon module

Ref. No.	Part No.	Rem.	Qty	Description	Code
1	393590		1	Bracket	
2	392158		1	Bracket	
3	392321		1	Bracket	
4	393681		1	Rotating beacon	
5	792410		1	Hand knob	
6	904230		2	Washer	
7	500028		2	Screw	
8	904640		1	Washer	
9	902286		1	Lock nut	
10	904229		2	Washer	
11	792419		2	T-stud	
12	792417		2	Wiring clip	

Working light module H3

392036

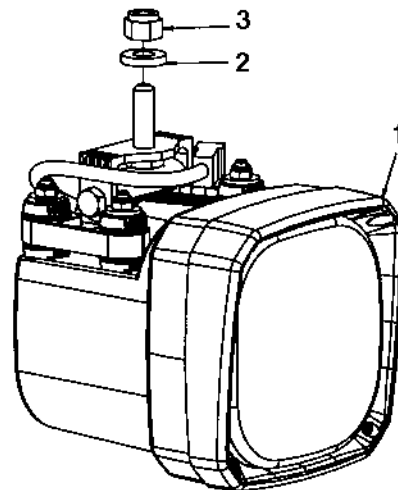


Working light module H3

Ref. No.	Part No.	Rem.	Qty	Description	Code
1	392033		1	Working light	
	792352		1	.Bulb	
2	904230		1	Washer	
3	586018		1	Lock nut	

Working light module Xenon

393539

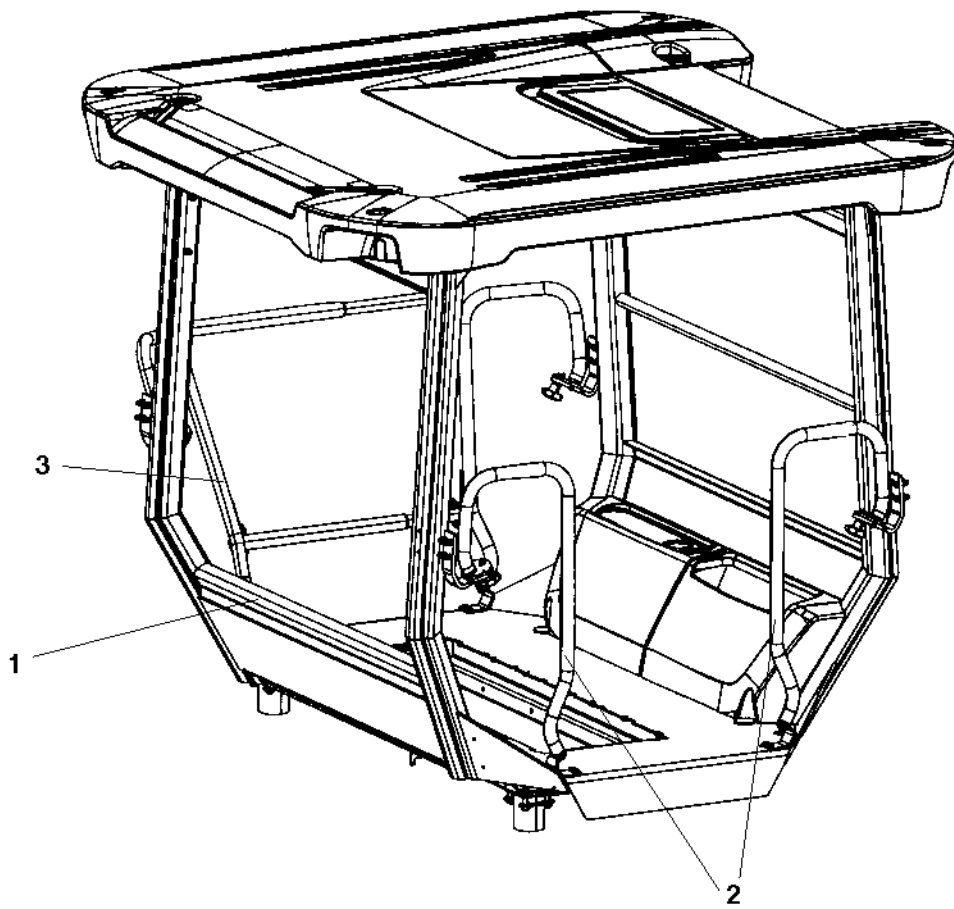


Working light module Xenon

Ref. No.	Part No.	Rem.	Qty	Description	Code
1	393538		1	Xenon lamp	
2	904557		1	Washer	
3	586018		1	Lock nut	

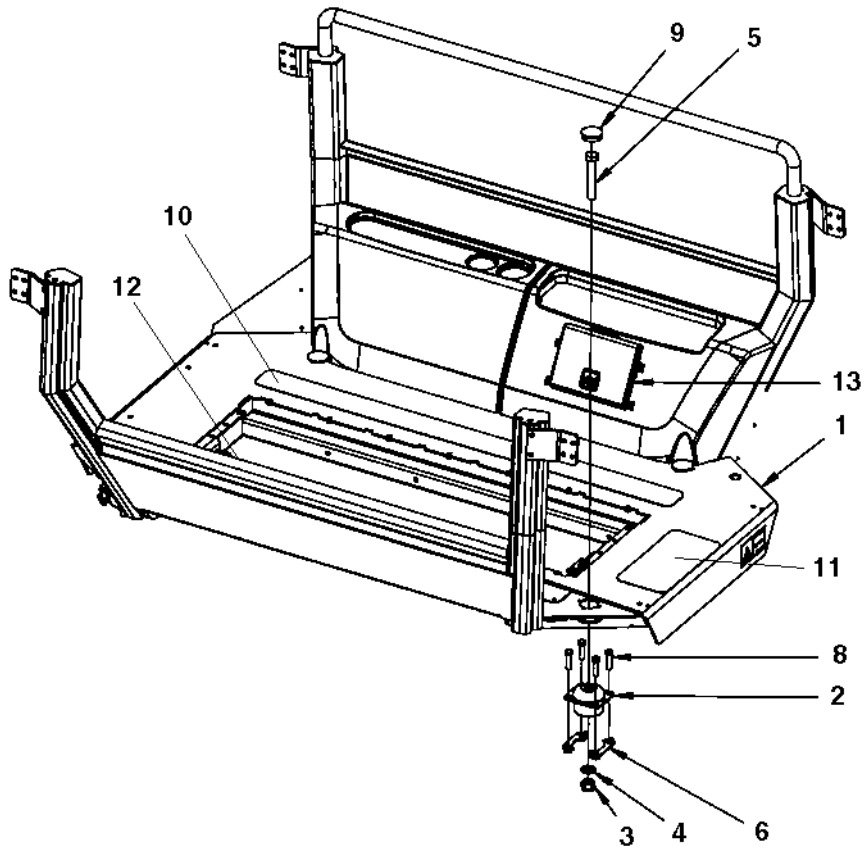
Drivers platform

Ref. No.	Part No.	Rem.	Qty	Description	Code
1				Platform, no cab (Page 314)	
2				Canopy (Page 330)	
3				Cab, asymmetric (Page 336)	
4				Cab heater system (Page 374)	
5			1	Cab noise cover (Page 378)	
6				Radio and cd player (Page 380)	
7				Drivers seat (Page 384)	



Platform, no cab

Ref. No.	Part No.	Rem.	Qty	Description	Code
1			1	Platform with 4-post ROPS	
			1	Platform no ROPS (Page 316)	
2			1	Hand rail, left (Page 318)	
3			1	Hand rail, right (Page 322)	
8			1	Lunch box module (Page 328)	

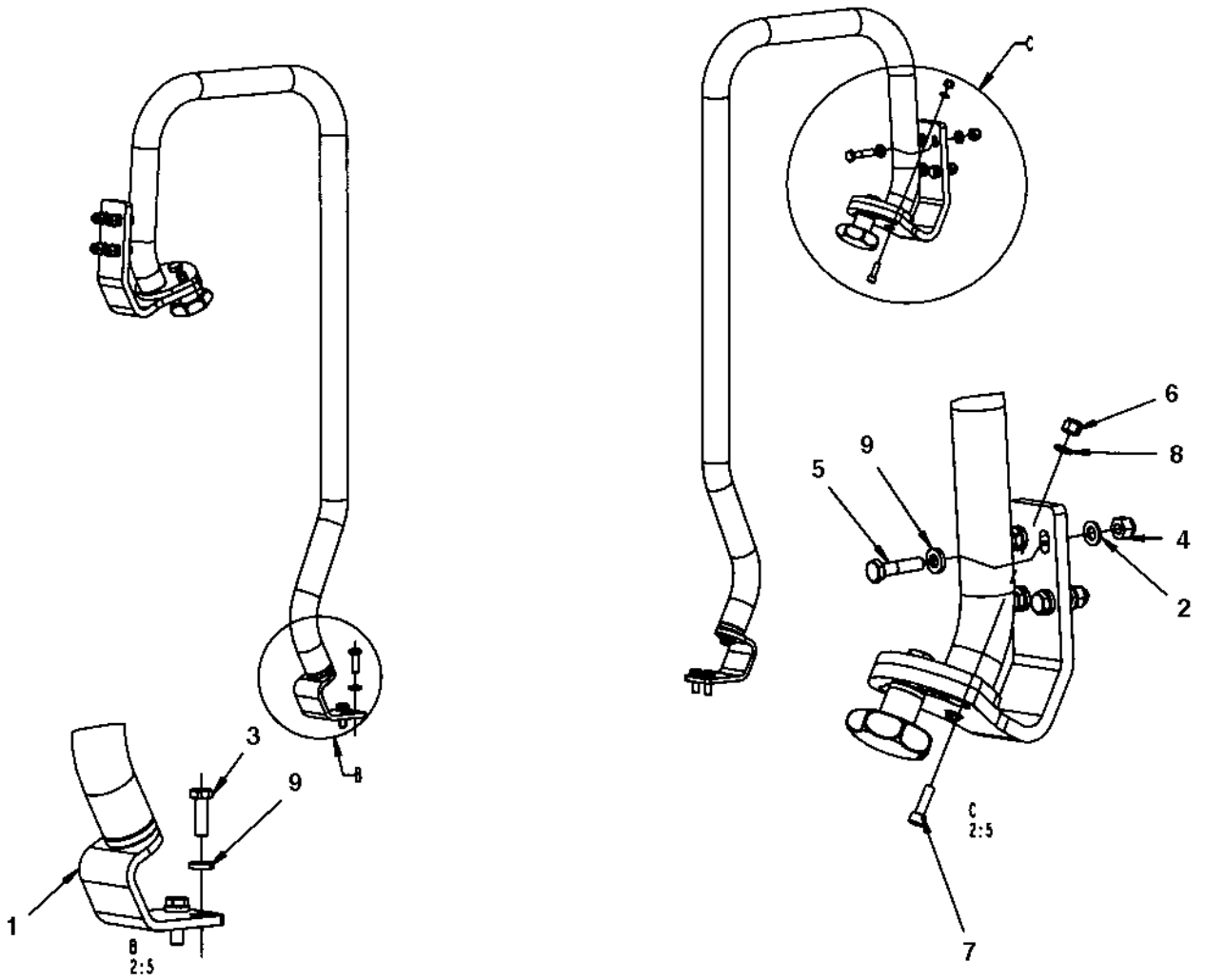


Platform no ROPS

Ref. No.	Part No.	Rem.	Qty	Description	Code
1	390866		1	Platform	
2	373399		4	Shock absorber	D
3	901145		4	Lock nut	M20-10
4	904233		8	Washer	
5	500228		4	Screw	M20-2,5x120 8,8
6	393525		8	Holder	
8	500056		16	Screw	
9	904131		4	Plug	
10	372121		2	Protection	
11	373363		1	Slip protection	
12	393978		1	Slip protection	
13			1	Manual box (Page 372)	

Hand rail, left

391569

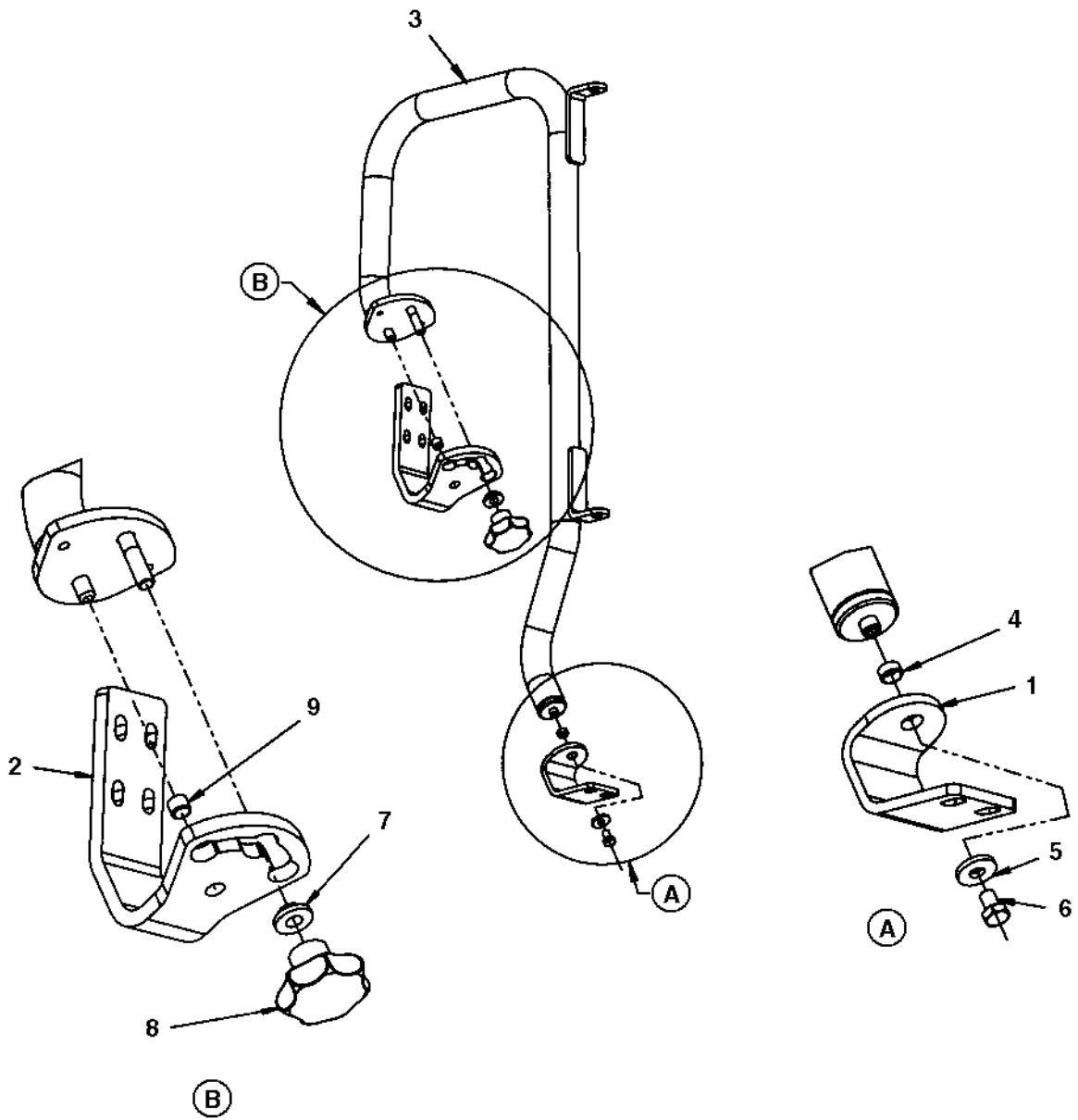


Hand rail, left

Ref. No.	Part No.	Rem.	Qty	Description	Code
1			2	Hand rail (Page 320)	
2	904229		8	Washer	
3	500021		4	Screw	
4	586003		8	Lock nut	
5	500047		8	Screw	
6	586002		2	Lock nut	
7	508025		2	Screw	M6x20
8	904228		2	Washer	
9	904556		12	Washer	

Hand rail

392999

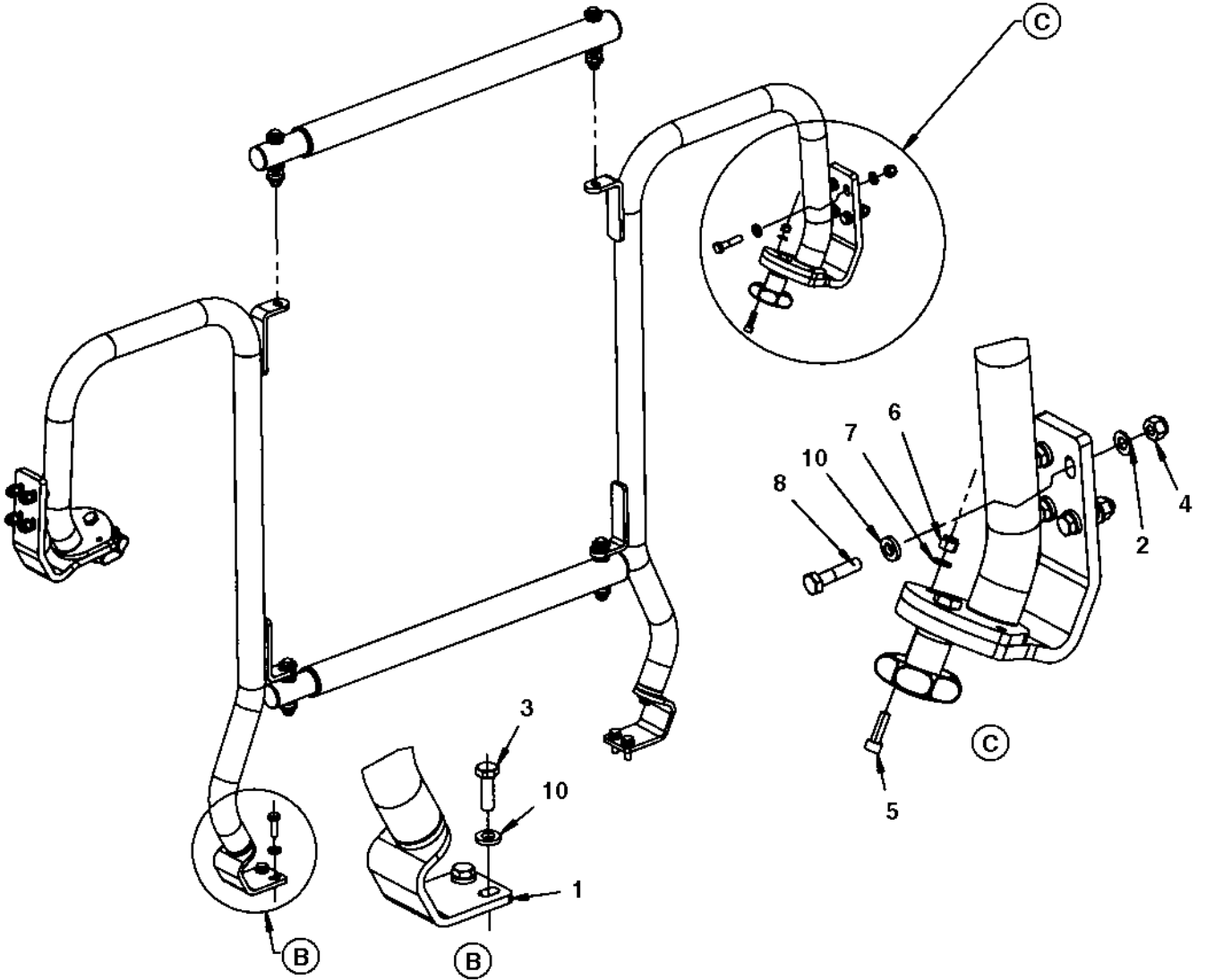


Hand rail

Ref. No.	Part No.	Rem.	Qty	Description	Code
1	381936		1	Bracket	
2	381935		1	Bracket	
3	390155		1	Hand rail	
4	792448		1	Plastic bushing	
5	904640		1	Washer	
6	500018		1	Screw	M8-1,25x12 8,8
7	370286		1	Washer	
8	499174		1	Knob	
9	792447		1	Plastic bushing	

Hand rail, right

391568

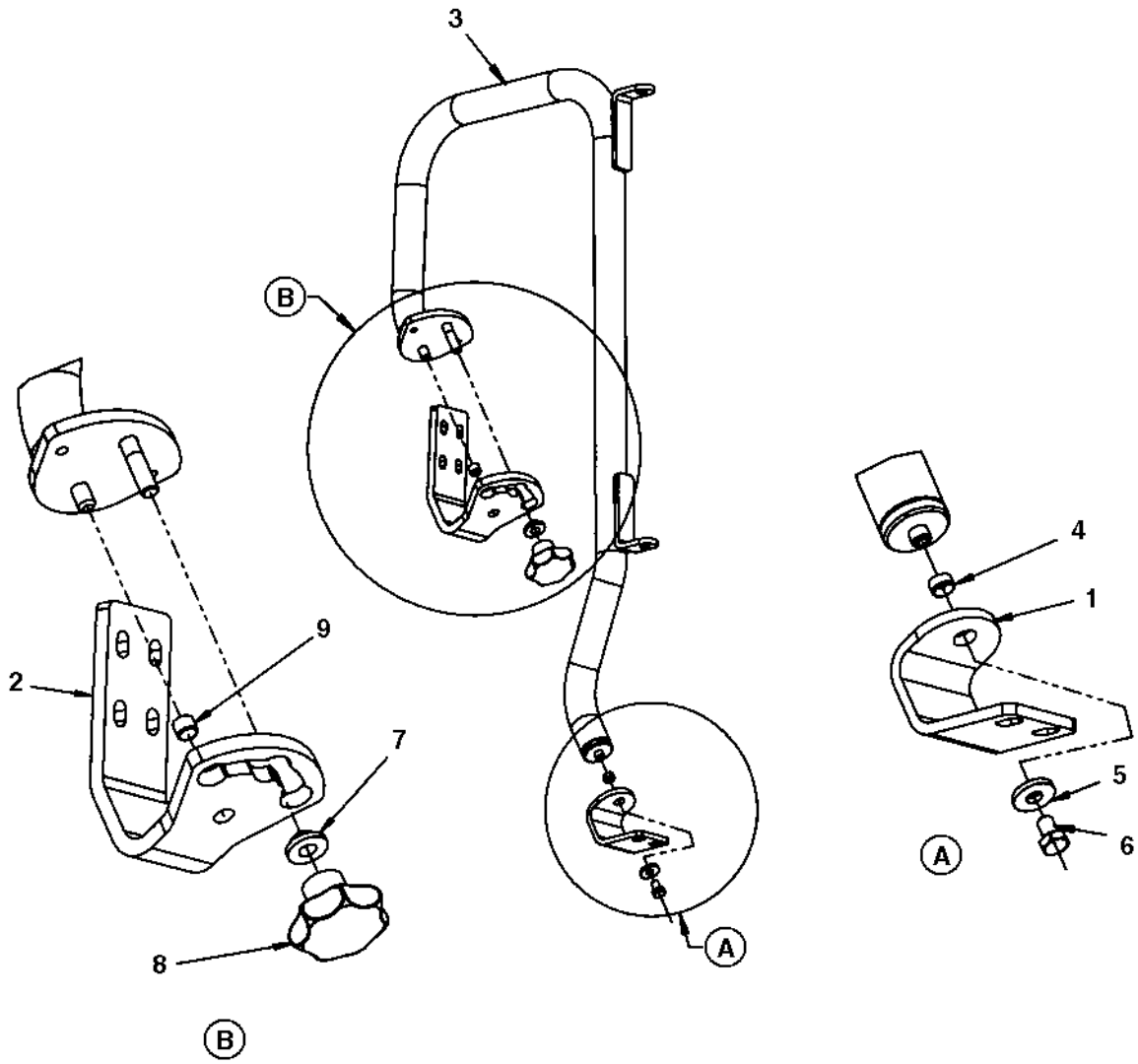


Hand rail, right

Ref. No.	Part No.	Rem.	Qty	Description	Code
1			1	Hand rail (Page 324)	
2	904229		8	Washer	
3	500021		4	Screw	
4	586003		8	Lock nut	
5	508025		2	Screw	M6x20
6	586002		2	Lock nut	
7	904228		2	Washer	
8	500047		8	Screw	
9			2	Hand rail (Page 326)	
10	904556		12	Washer	

Hand rail

391557

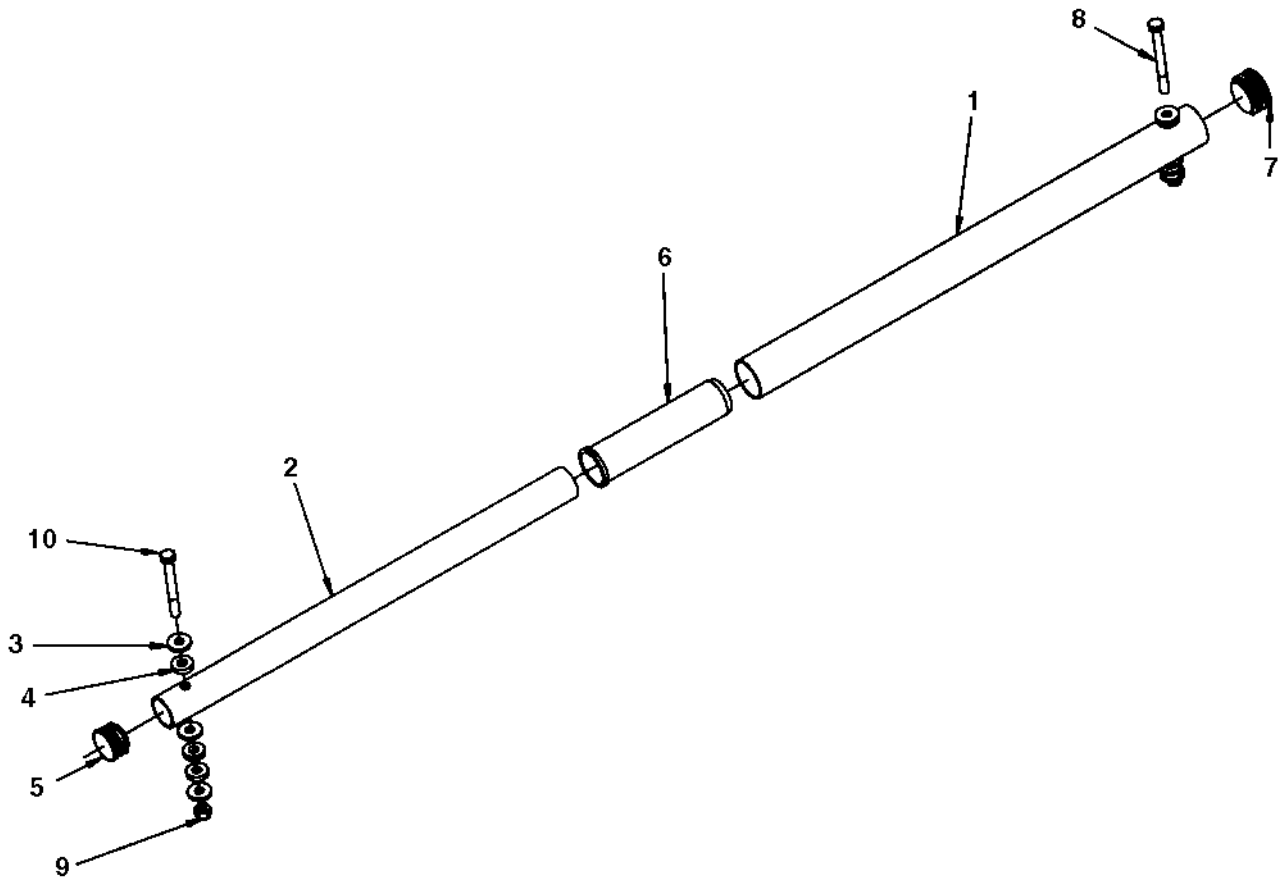


Hand rail

Ref. No.	Part No.	Rem.	Qty	Description	Code
1	381936		1	Bracket	
2	381935		1	Bracket	
3	381934		1	Hand rail	
4	792448		1	Plastic bushing	
5	904640		1	Washer	
6	500018		1	Screw	M8-1,25x12 8,8
7	370286		1	Washer	
8	499174		1	Knob	
9	792447		1	Plastic bushing	

Hand rail

392426

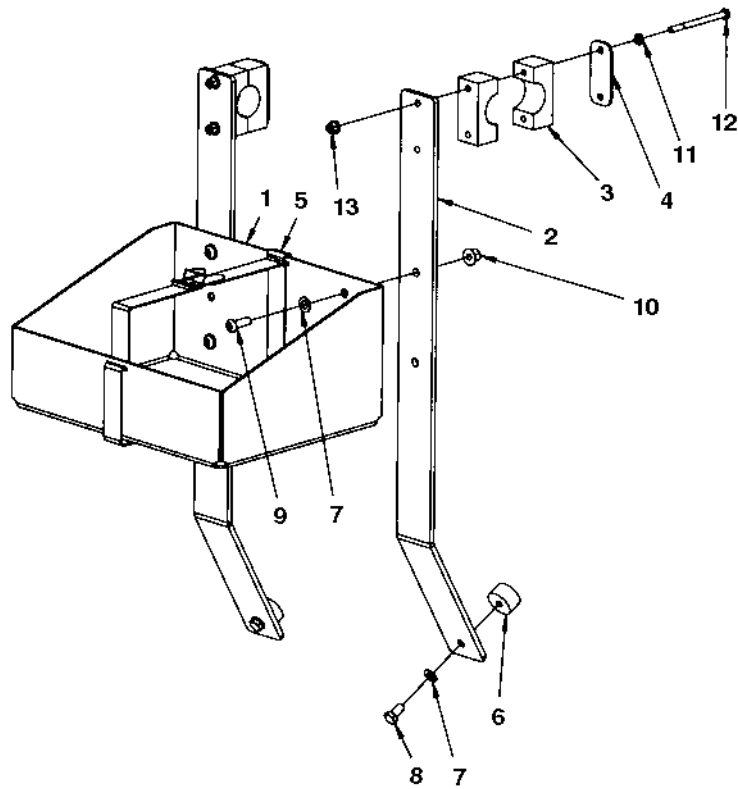


Hand rail

Ref. No.	Part No.	Rem.	Qty	Description	Code
1	391675		1	Steel tube	
2	391676		1	Steel tube	
3	904640		6	Washer	
4	391674		6	Rubber washer	
5	926216		1	Protective plug	
6	391678		1	Bushing	
7	792449		1	Protective plug	
8	500190		1	Screw	
9	586003		2	Lock nut	
10	500189		1	Screw	

Lunch box module

394307

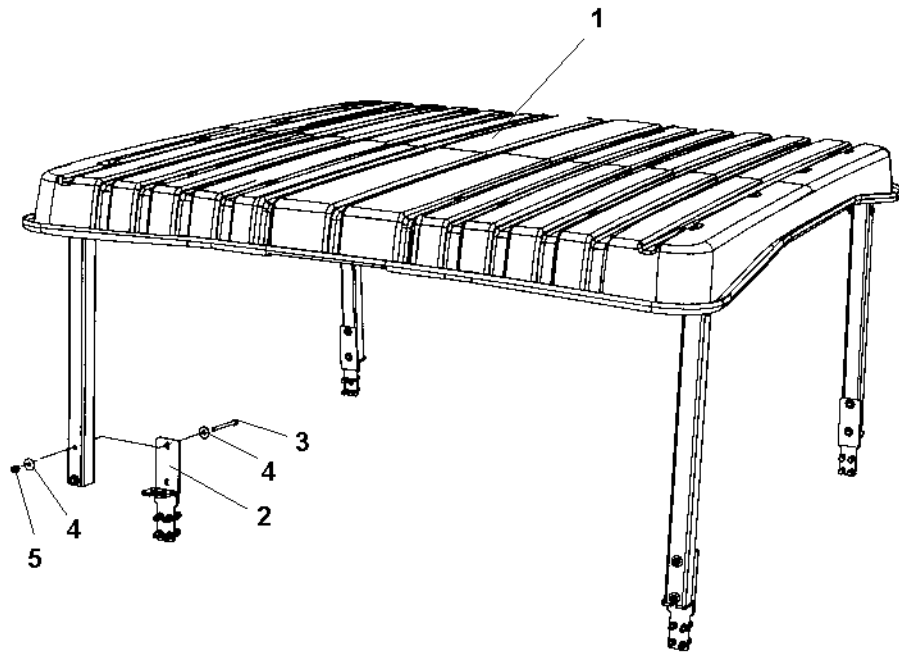


Lunch box module

Ref. No.	Part No.	Rem.	Qty	Description	Code
1	377913		1	Box	
2	394859		2	Bracket	
3	904340		2	Pipe clamp	
4	924791		2	Cover plate	
5	287643		1	Metal strapping	D
6	450163		2	Shock absorber	D
7	904229		6	Washer	
8	500019		2	Screw	
9	904654		4	Screw	
10	902286		4	Lock nut	
11	904228		4	Washer	
12	500153		4	Screw	
13	902285		4	Lock nut	

Canopy

18868

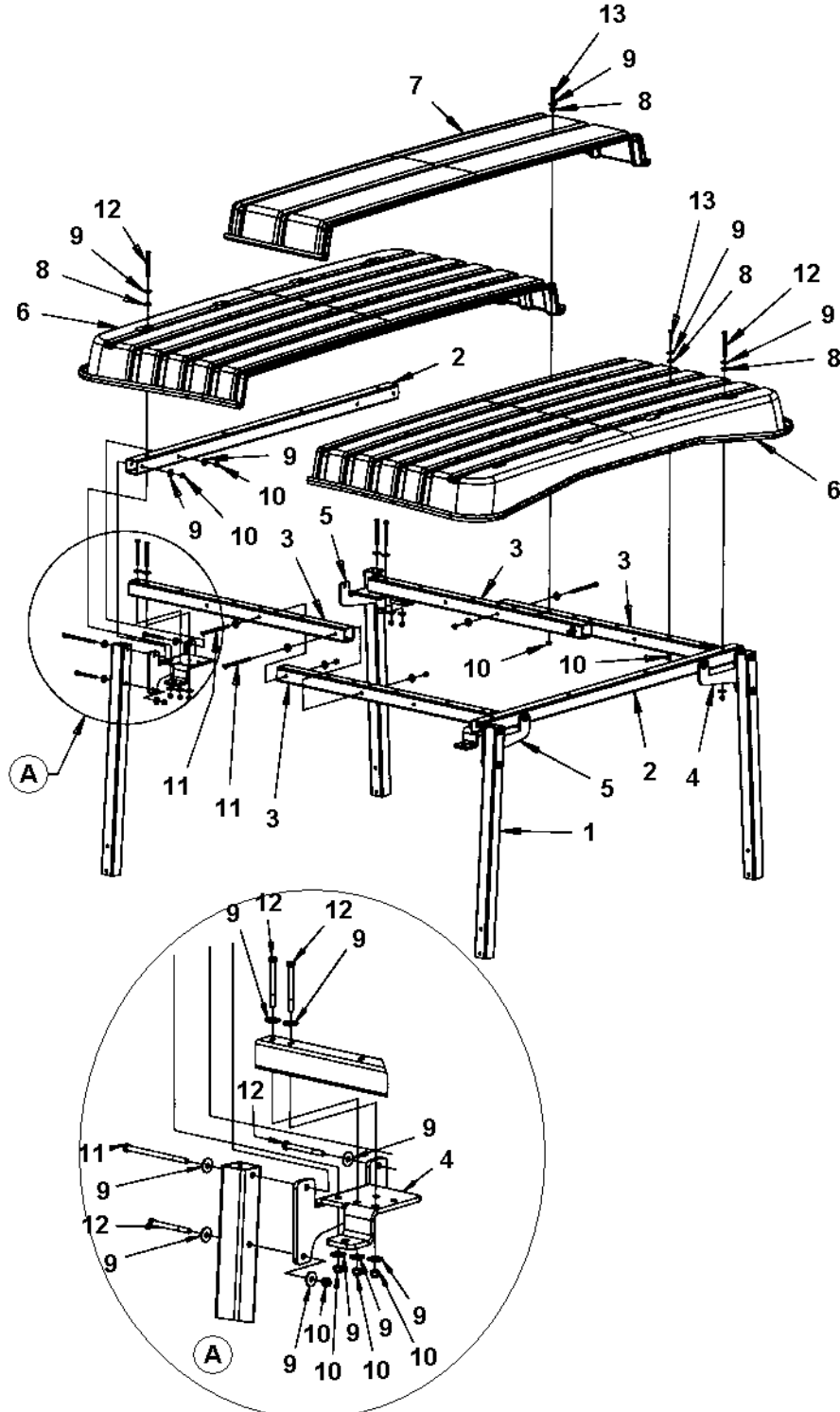


Canopy

Ref. No.	Part No.	Rem.	Qty	Description	Code
1			1	Canopy assy (Page 332)	
2			4	Bracket (Page 334)	
3	500190		8	Screw	
4	601003		16	Washer	
5	586003		8	Lock nut	

Canopy assy

397081

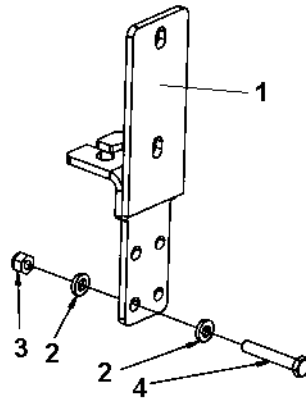


Canopy assy

Ref. No.	Part No.	Rem.	Qty	Description	Code
1	393640		4	Pillar	
2	393641		2	Roof beam	
3	393642		4	Cross beam	
4	393645		2	Bracket	
5	393646		2	Bracket	
6	394139		2	Plastic roof	
7	394140		1	Plastic roof	
8	391674		22	Rubber washer	
9	601003		74	Washer	
10	586003		46	Lock nut	
11	500143		8	Screw	
12	500190		20	Screw	
13	904241		18	Screw	

Bracket

397082

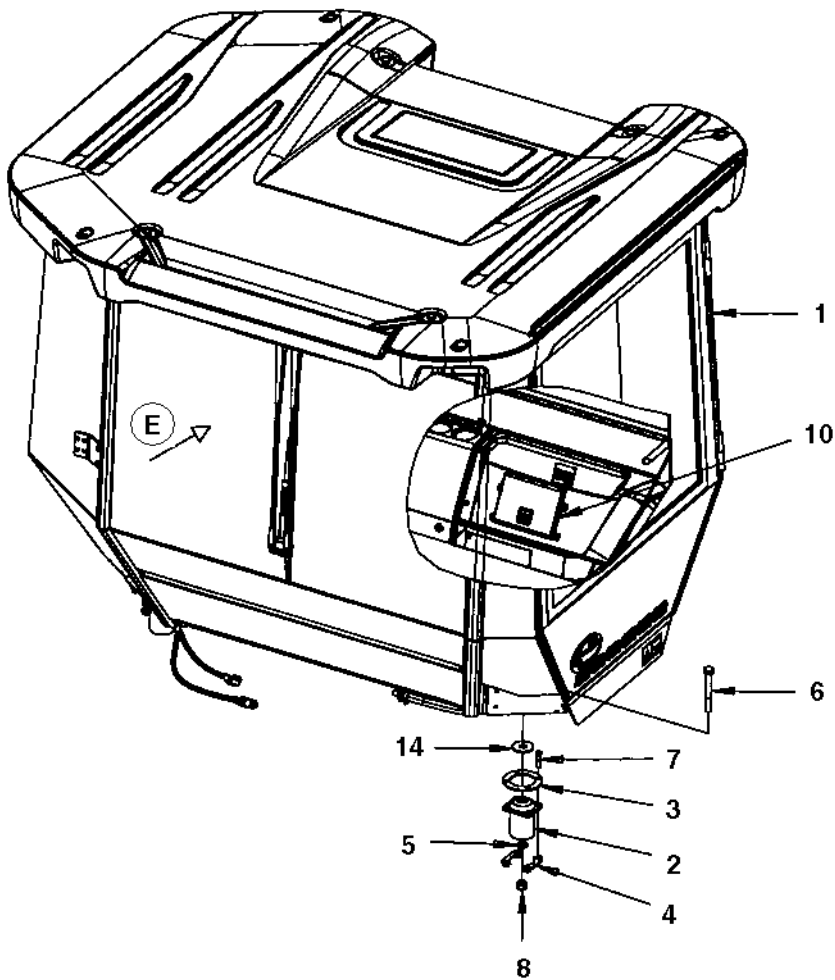
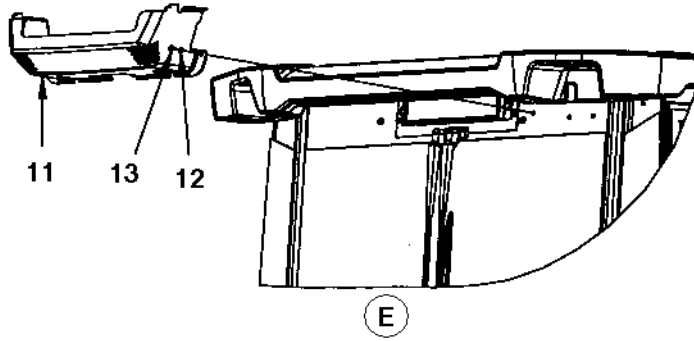


Bracket

Ref. No.	Part No.	Rem.	Qty	Description	Code
1	393639		1	Bracket	
2	904556		8	Washer	
3	586003		4	Lock nut	
4	500239		4	Screw	

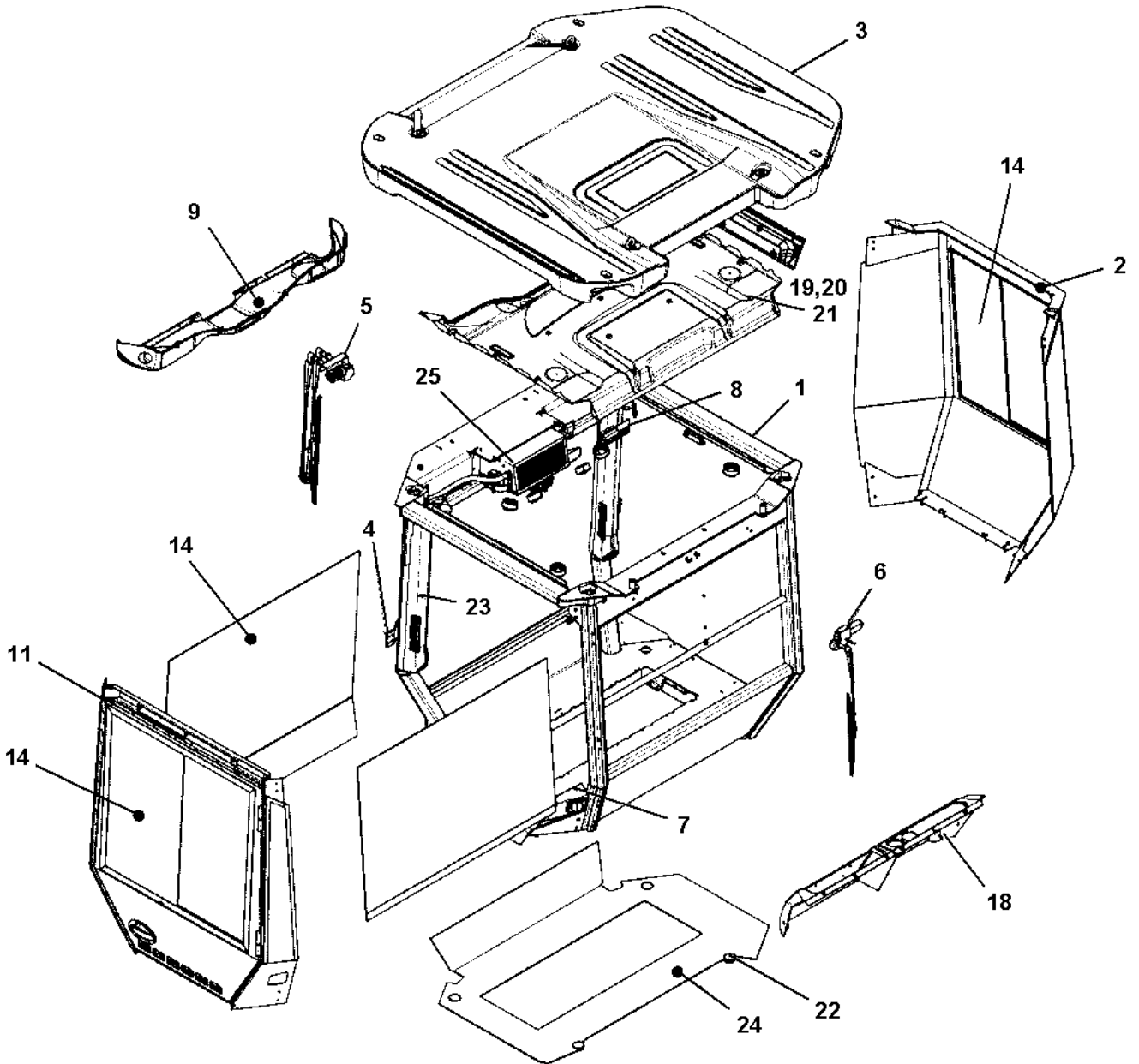
Cab, asymmetric

391063C



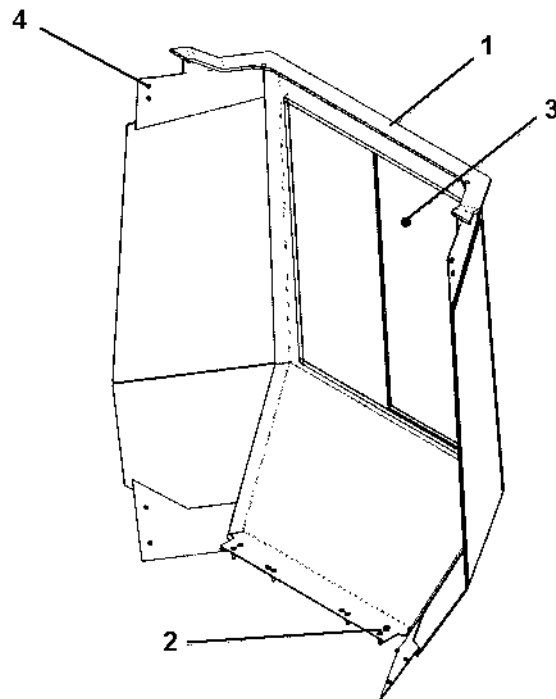
Cab, asymmetric

Ref. No.	Part No.	Rem.	Qty	Description	Code
1	390864		1	Cab, cpl (Page 338)	
2	384855		4	Shock absorber	
3	359998		4	Back-up ring	
4	393525		8	Holder	
5	904233		4	Washer	
6	903633		4	Screw	M20x150 10,9
7	500195		16	Screw	
8	901145		4	Lock nut	M20-10
10			1	Manual box (Page 372)	
11	393582		1	Cover	
12	904556		2	Washer	
13	500018		2	Screw	M8-1,25x12 8,8
14	347512		4	Washer	



390864 Cab, cpl

Ref. No.	Part No.	Rem.	Qty	Description	Code
1			1	Cab frame	
2			1	Cab frame, right side (Page 340)	
3			1	Roof (Page 342)	
4			1	General parts (Page 344)	
5			1	Windshield wiper, front (Page 346)	
6			1	Windshield wiper, rear (Page 348)	
7			1	Windshield washer reservoir (Page 350)	
8			1	Electric equipment (Page 352)	
9			1	Front panel (Page 354)	
11			1	Door frame (Page 356)	
14			1	Cab screens (Page 360)	
18			1	Rear covers (Page 362)	
19	395829		5	Screw	
20	395830		5	Screw	
21	395825		1	Ceiling	
22	395840		4	Plug	
23			2	Air channel (Page 364)	
24	395859		1	Floor mat	
25			1	Heater unit (Page 366)	



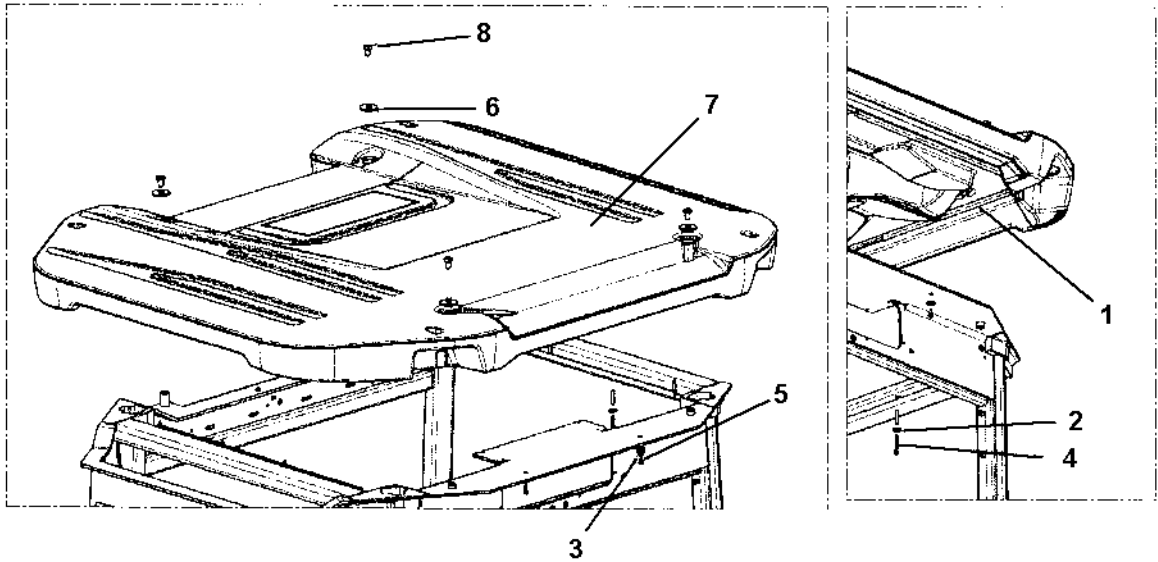
Cab frame, right side

Ref. No.	Part No.	Rem.	Qty	Description	Code
1			1	Frame	
2	927637		6	Screw	M8x35
3		1		Screens	
4	500018		10	Screw	M8-1,25x12 8,8

1) See section for Cab screens.

Roof

395845

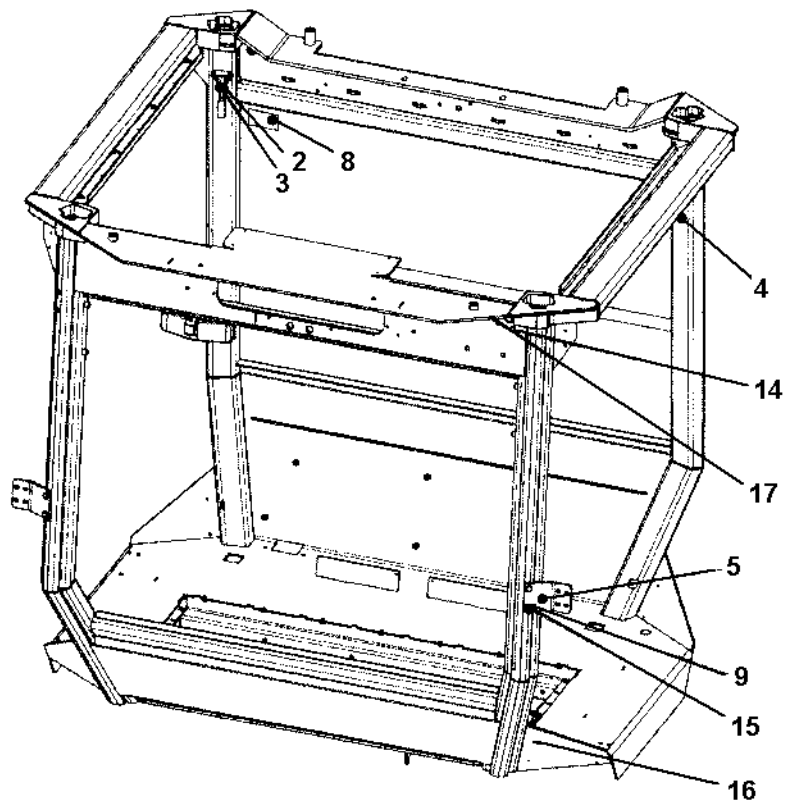
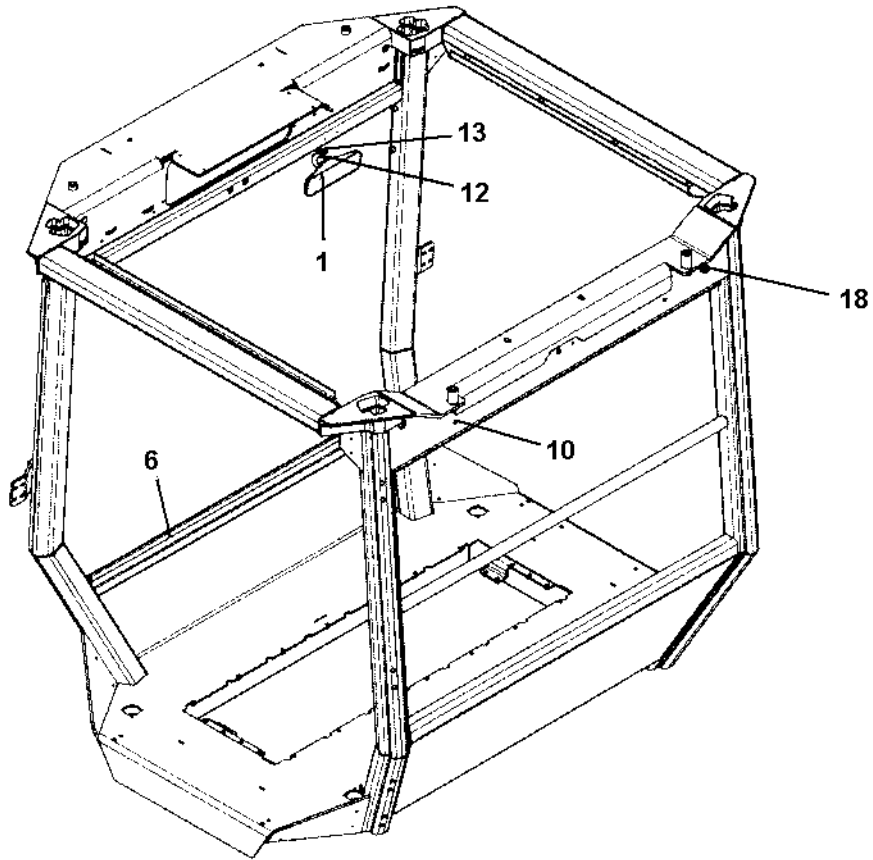


Roof

Ref. No.	Part No.	Rem.	Qty	Description	Code
1			1XL	Sealing strip	
2			8	Washer	
3	603009		6	Washer	
4			8	Stud bolt	
5	500021		4	Screw	
6			4	Washer	
7	395855		1	Roof	
8	500154		4	Screw	M16-2,0x25 8,8

General parts

395738

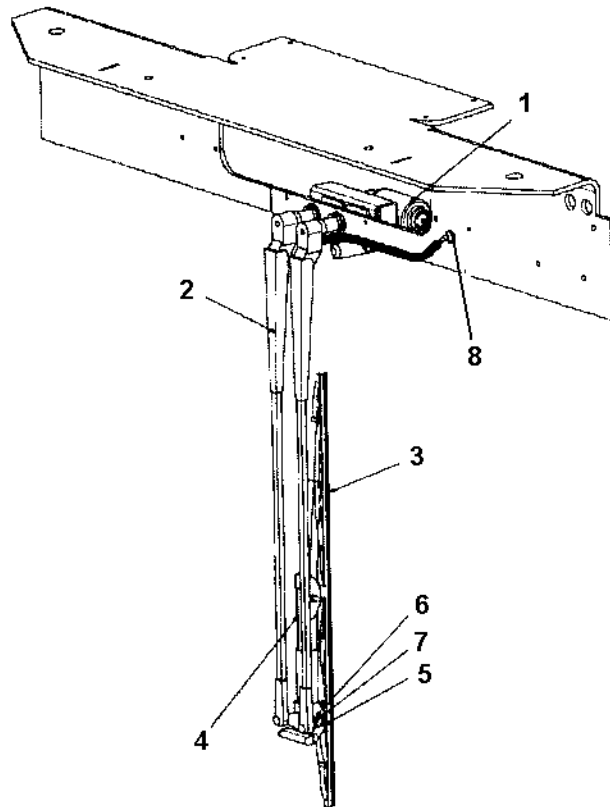


General parts

Ref. No.	Part No.	Rem.	Qty	Description	Code
1	395792		1	Rear view mirror	
2	908507		1	Emergency hammer	
3	908506		1	Holder	
4	908505		1	Hook	
5	395787		2	Holder plate	
6		1XL		Edge trim	
8	903590		1	Decal	
9	500048		4	Screw	
10			6	Plug	
12			1	Screw	
13			1	Nut cap	
14			20	Plug	
15			8	Nut cap	
16			10	Screw cap	
17			1	Plug	
18			1	Plug	

Windshield wiper, front

395739

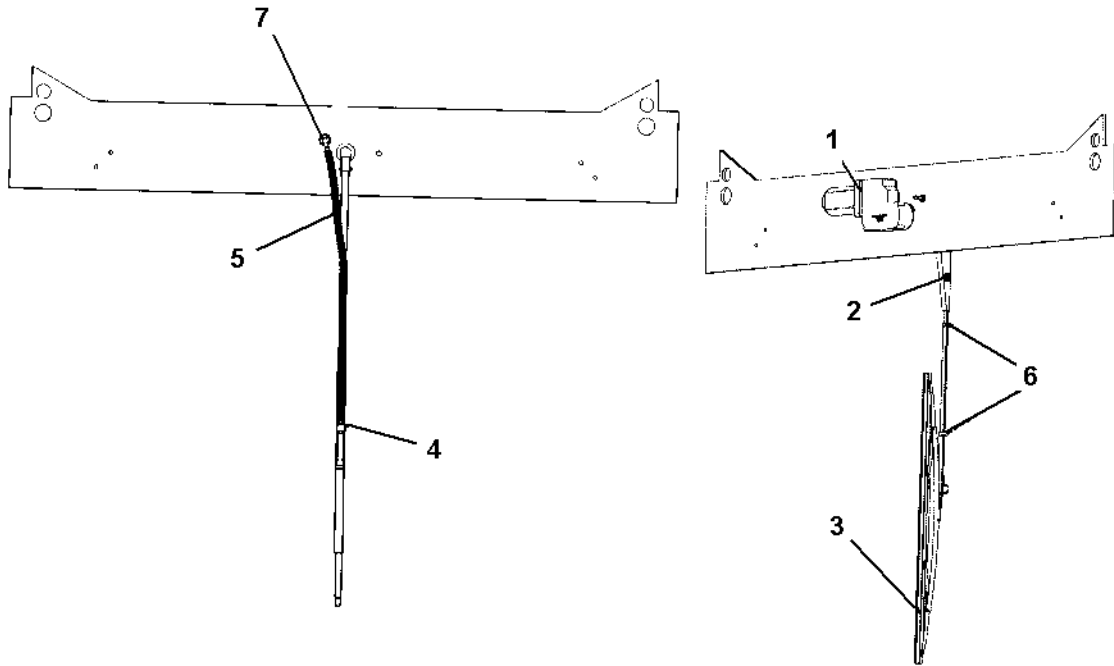


Windshield wiper, front

Ref. No.	Part No.	Rem.	Qty	Description	Code
1	395810		1	Wiper motor	
2	395811		1	Wiper arm	
3	905306		1	Wiper blade	
4	395796		1	Mounting plate	
5	508021		1	Screw	
6	904229		1	Washer	
7	586003		1	Lock nut	
8	908561		1	Grommet	

Windshield wiper, rear

395740

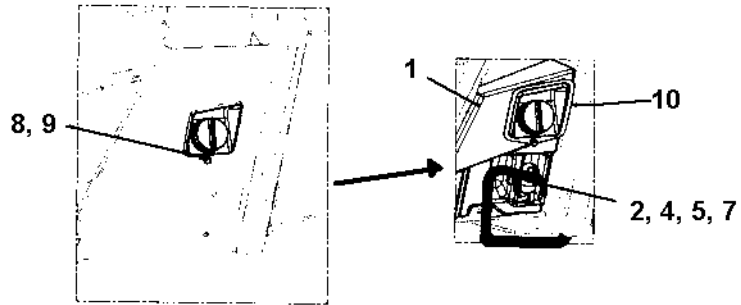


Windshield wiper, rear

Ref. No.	Part No.	Rem.	Qty	Description	Code
1	945897		1	Wiper motor	
2	395813		1	Wiper arm	
3	395814		1	Wiper blade	
4	938256		1	Nozzle	
5		1XL		Rubber hose	
6			2	Hose fastener	
7	908561		1	Grommet	

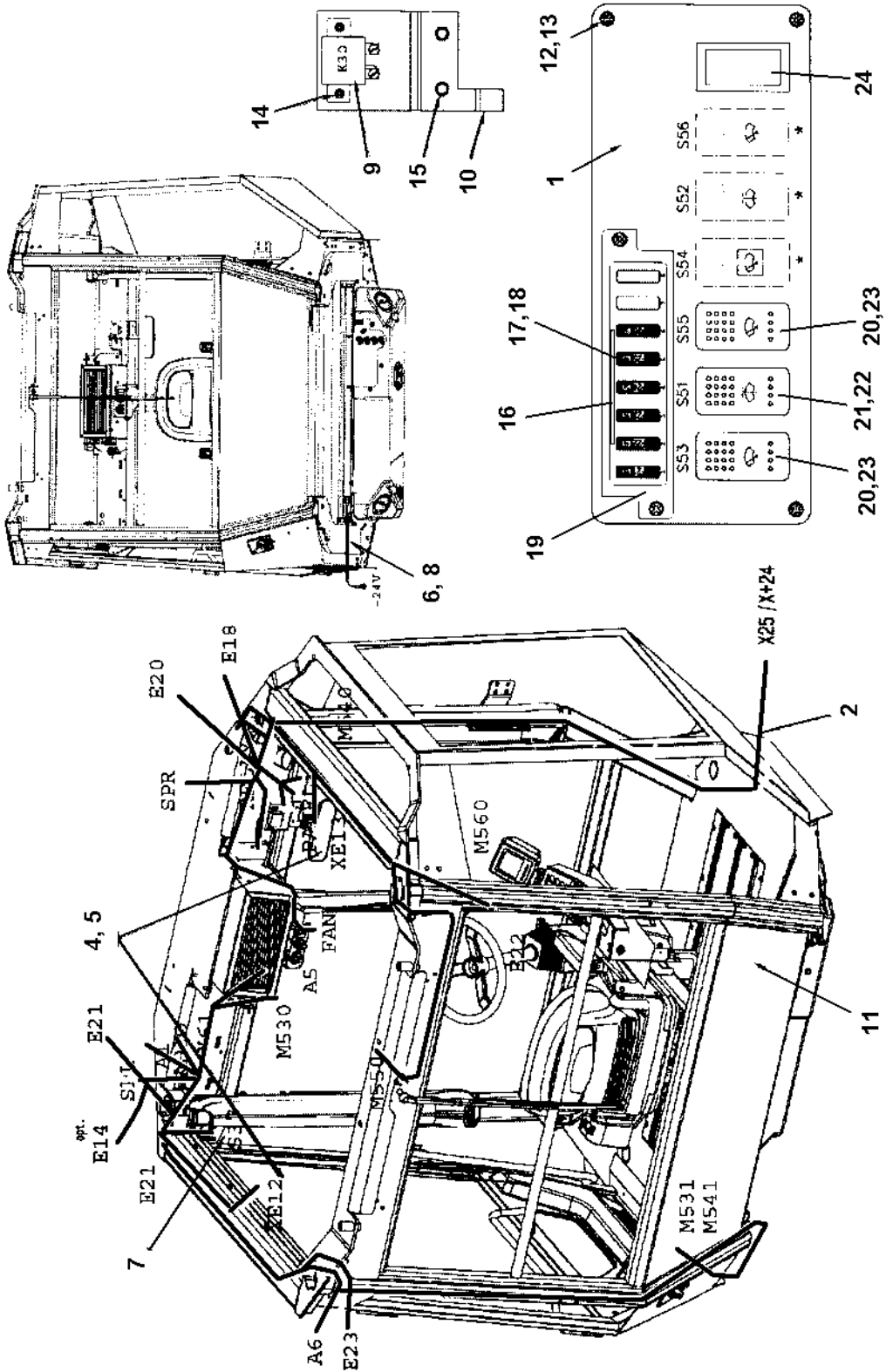
Windshield washer reservoir

395741



Windshield washer reservoir

Ref. No.	Part No.	Rem.	Qty	Description	Code
1	395793		1	Water reservoir	
2	395794		1	Electric motor	
4	908564		2	Check valve	
5	908563	1XL		Plastic hose	
7	395815		1	Seal ring	
8	904228		1	Washer	
9	500013		1	Screw	
10	395795		1	Gasket	

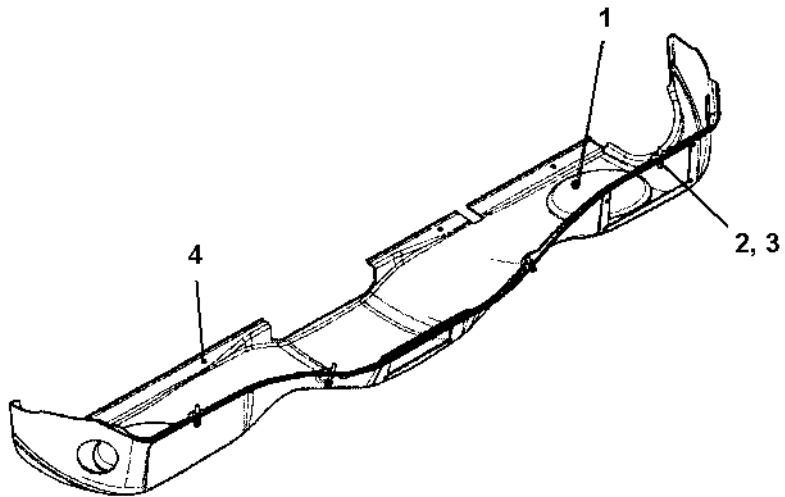


Electric equipment

Ref. No.	Part No.	Rem.	Qty	Description		Code
1			1	Control panel plate		
2	395798		1	Cable harness		
4	395800		2	Interior light		
5	792715		4	Bulb		
6			1	Screw		
7	908500		1	Door switch		
8	395799		1	Ground cable		
9	792309		1	Relay		D
10			1	Mounting plate		D
11	395816		1	Plug socket	24V	
12			5	Rubber nut		
13			5	Screw		
14			2	Screw		
15			2	Screw		
16	791211		4	Contact bridge		
17	901227		4	Fuse	10A	B
18	901228		2	Fuse	15A	
19	791185		1	Fuse box		
20			2	Button		
21			1	Button		
22	792504		1	Switch		
23	792505		1	Switch		
24	791588		4	Panel plug		

Front panel

395846

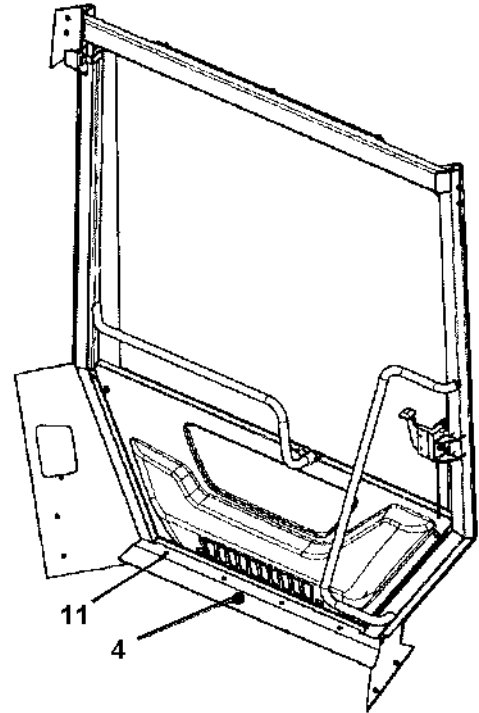
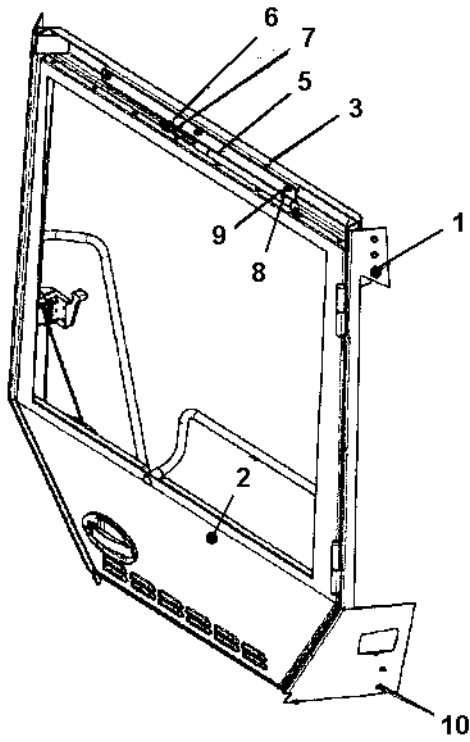


Front panel

Ref. No.	Part No.	Rem.	Qty	Description	Code
1	395856		1	Front panel	
2			4	Clamp screw	
3			4	Nut cap	
4			4	Collar screw	M6

Door frame

395744

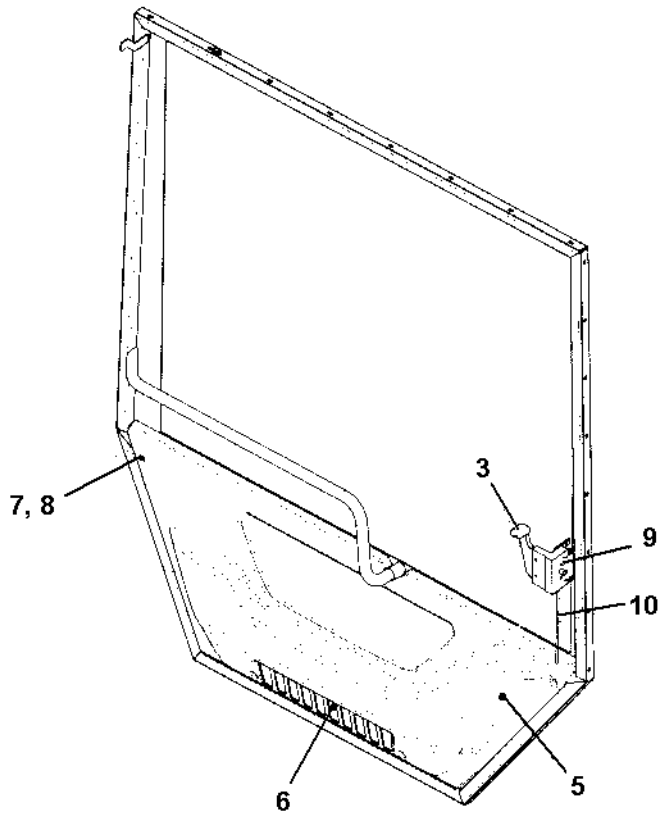
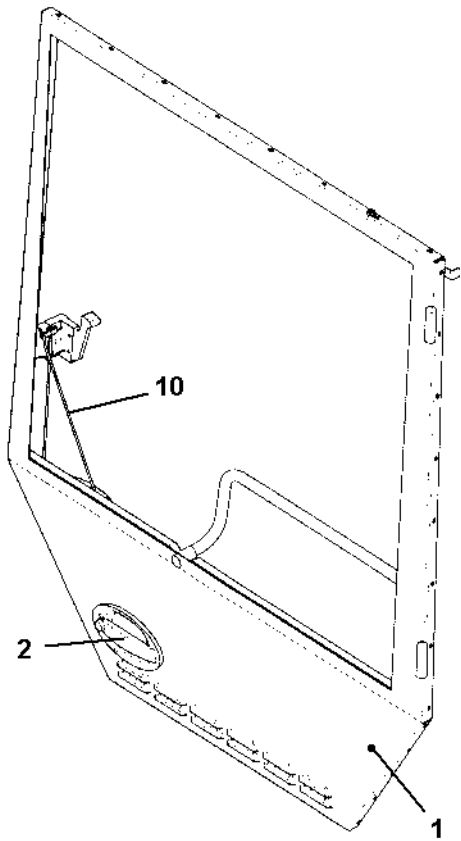


Door frame

Ref. No.	Part No.	Rem.	Qty	Description	Code
1			1	Frame mount	
2	395806		1	Door (Page 358)	
3			1	Cover plate	
4			1	Plate	
5	908284		1	Gas spring	
6	395817		1	Ball joint	
7	570005		1	Nut	
8	586003		3	Lock nut	
9	936277		3	Washer	
10	500018		10	Screw	M8-1,25x12 8,8
11			4	Screw	

395806 Door

395806

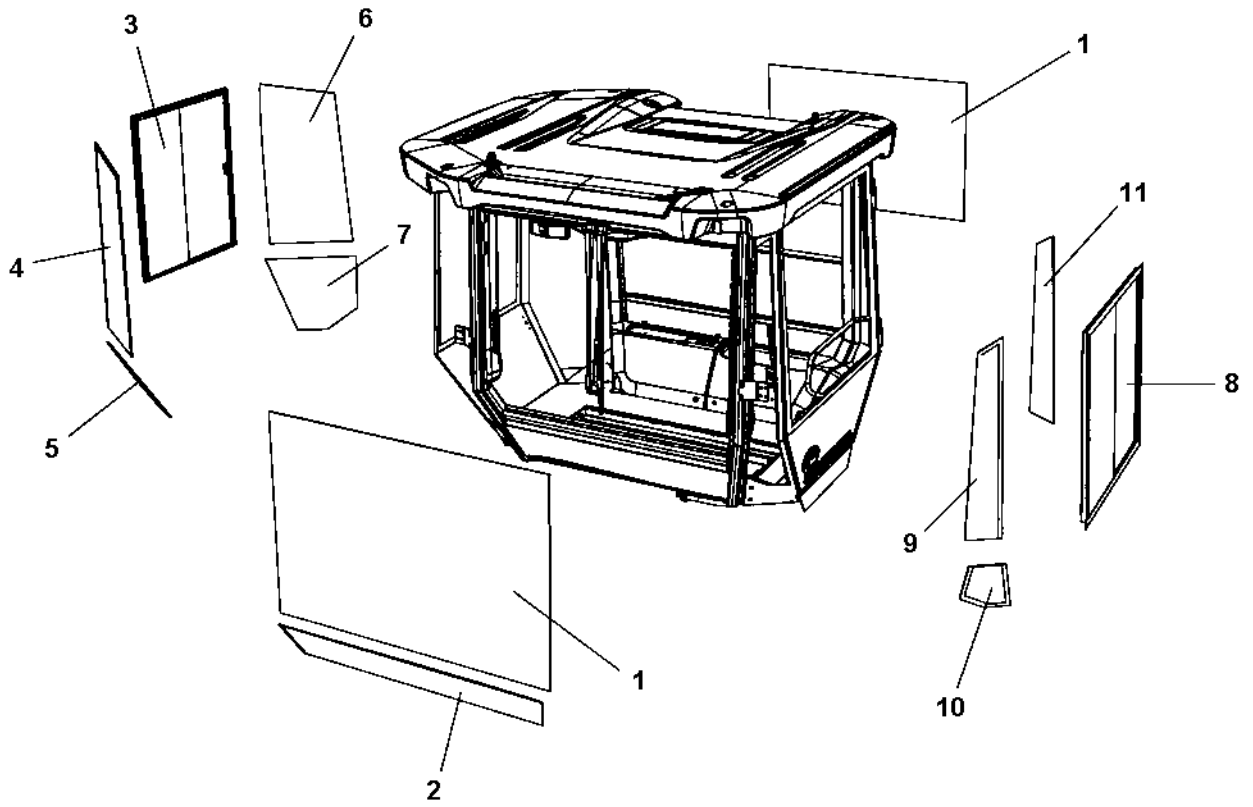


395806 Door

Ref. No.	Part No.	Rem.	Qty	Description	Code
1			1	Door welded	
2	395833		1	Handle, outer	
	902866		1	.Key	Marked "455" D
3	395834		1	Handle, inner	
5	395835		1	Plastic panel	
6	395836		1	Filter	
7	395837		4	Nut	
8	395838		4	Screw	
9			3	Screw	
10	395839		1	Rod	

Cab screens

18799



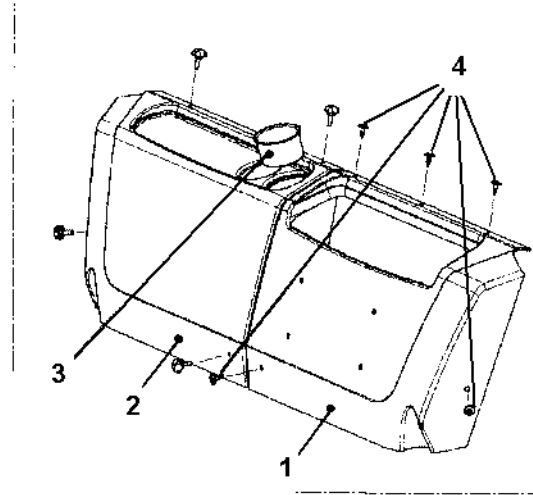
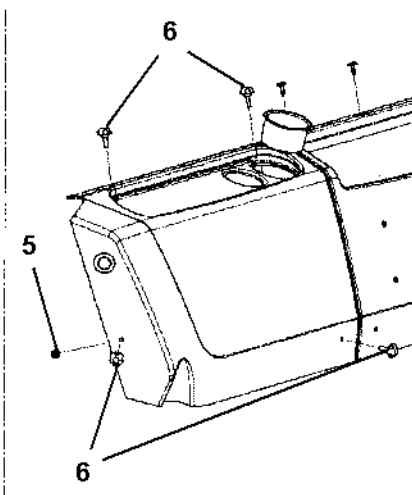
Cab screens

Ref. No.	Part No.	Rem.	Qty	Description	Code
1	393250		2	Windscreen	
2	393251	A	1	Screen	
3	395790	B	1	Sliding screen	
4	393634	B,C	1	Screen	
5	393637	B,A	1	Screen	
6	393635	B,D	1	Screen	
7	393636	B,E	1	Screen	
8	395803	F	1	Sliding screen	
9	393252	G,C	1	Screen	
10	393254	G,A	1	Screen	
11	393253	G,D	1	Screen	

- A) Front lower
- B) Right side
- C) Front upper
- D) Rear upper
- E) Rear lower
- F) Door
- G) Left side

Rear covers

395848

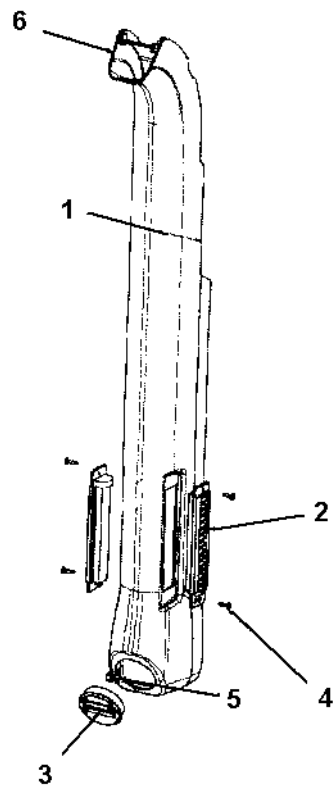


Rear covers

Ref. No.	Part No.	Rem. Qty	Description	Code
1	395857	1	Rear cover, left	
2	395783	1	Rear cover, right	
3	395784	1	Mug holder	
4	395785	5	Screw	
5		1	Nut	
6	395786	4	Knob	

Air channel

395752

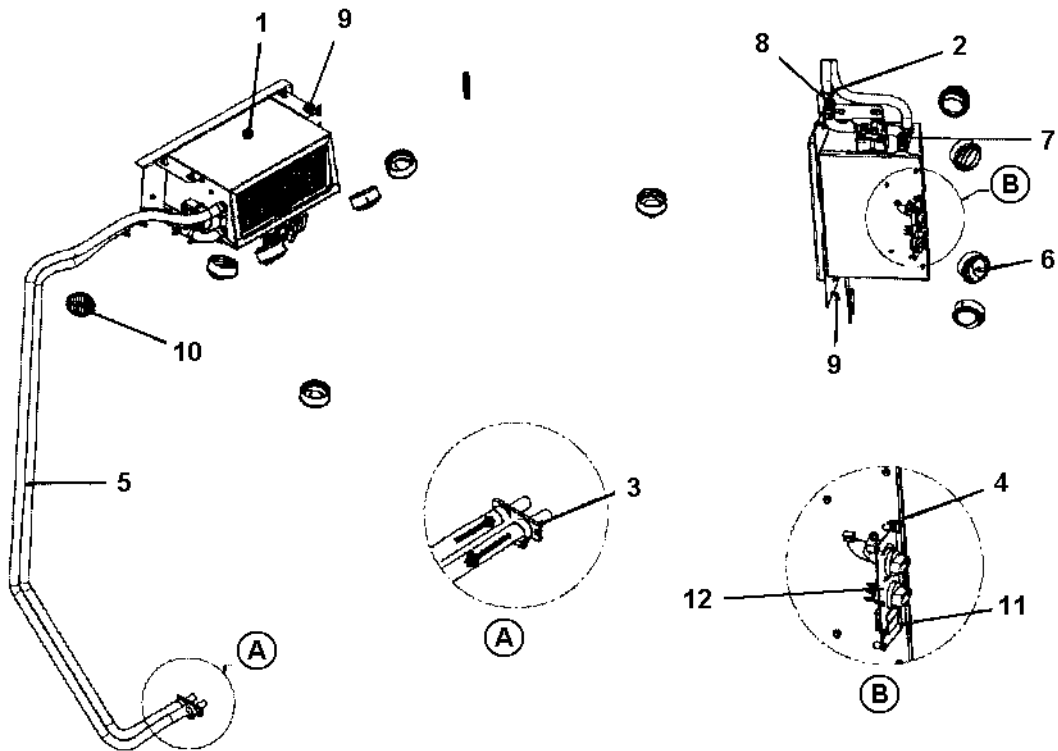


Air channel

Ref. No.	Part No.	Rem.	Qty	Description	Code
1			1	Cover	
2	395831		2	Air nozzle	
3	395832		1	Air nozzle	
4	395829		4	Screw	
5			1	Screw	
6			1XL	Edge trim	

Heater unit

395754

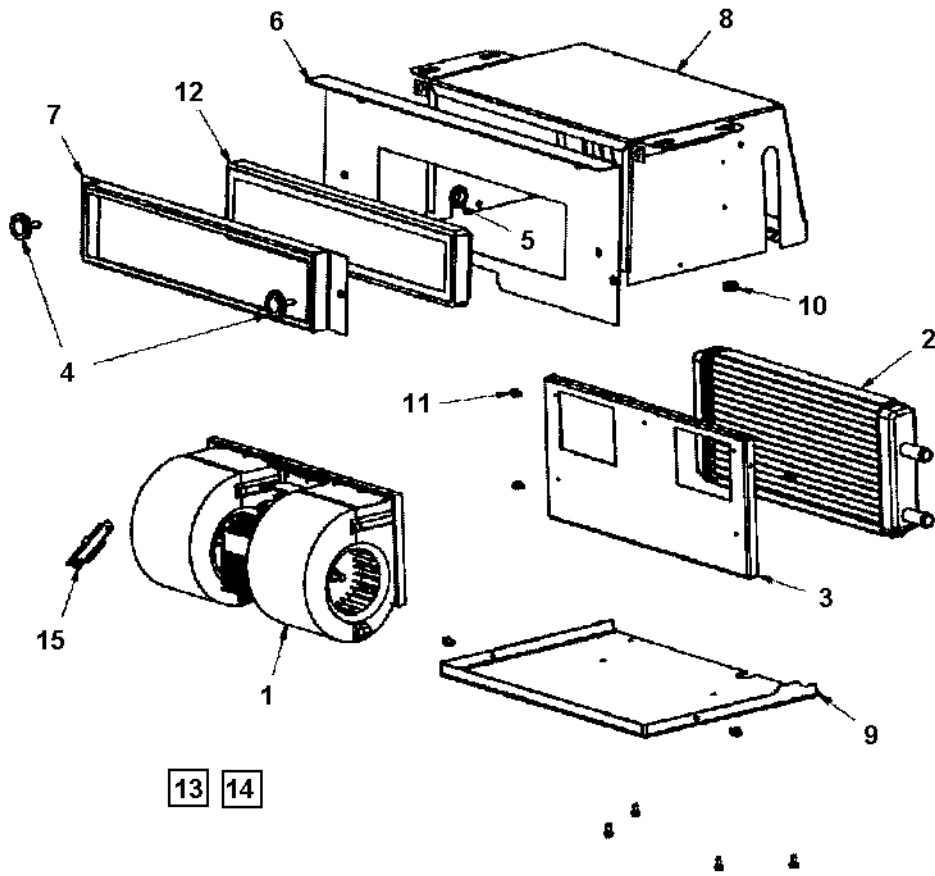


Heater unit

Ref. No.	Part No.	Rem.	Qty	Description	Code
1			1	Heater (Page 368)	
2	938874		8	Clamp	
3			1	Inlet plate	
4			4	Rubber nut	
5	395756		1XL	Hose	
6	395757		6	Air nozzle	
7	395758		2	Hose	
8			1	Connector pipe	
9	500053		6	Screw	
10	395759		2	Air nozzle	
11			4	Screw	
12			1	Heater controls (Page 370)	

Heater

393617

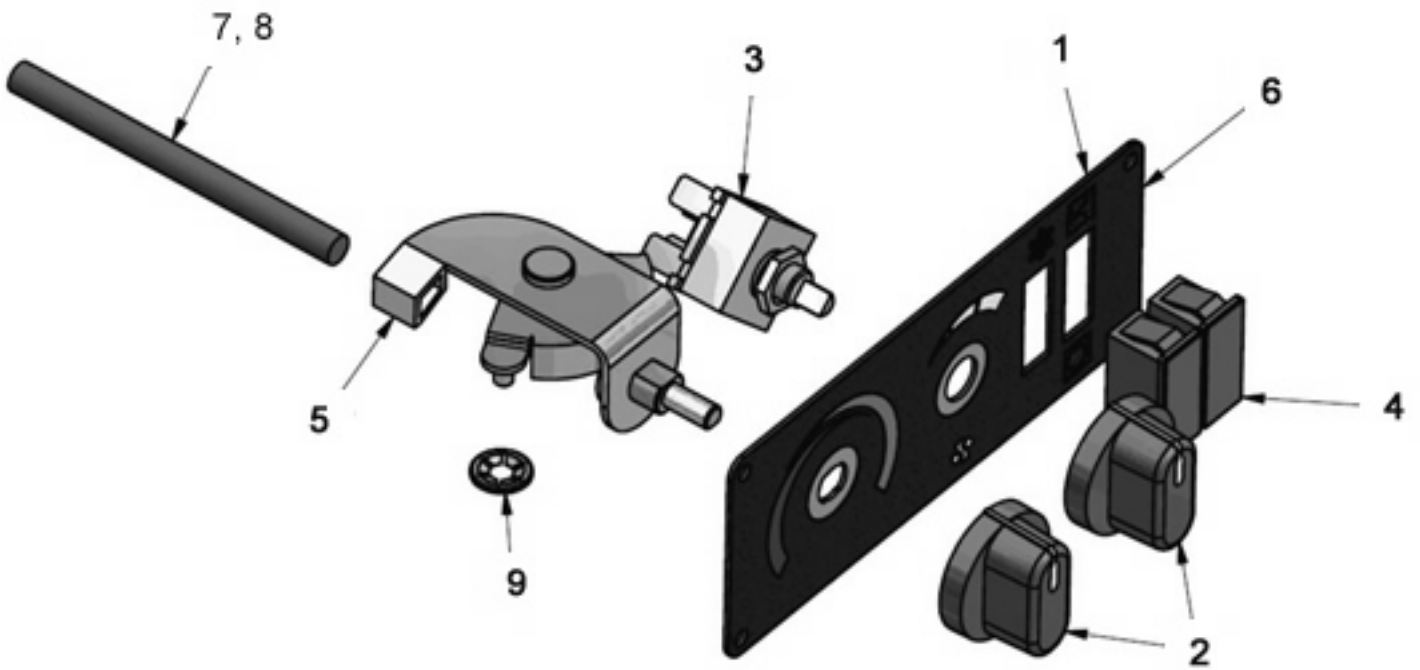


Heater

Ref. No.	Part No.	Rem.	Qty	Description	Code
1	395761		1	Blower	
2	395762		1	Heater coil	
3			1	Blower bracket	
4	395774		2	Knob	
5	938609		1	Grommet	
6			1	Front plate	
7	395775		1	Filter bracket	
8			1	Casing	
9			1	Cover plate	
10			1	Grommet	
11			11	Screw	M5x10
12	395818		1	Filter	
13	395819		1	Cable harness	
14	395828		1	Panel cable	
15	395820		1	Resistor	

Heater controls

393617_2

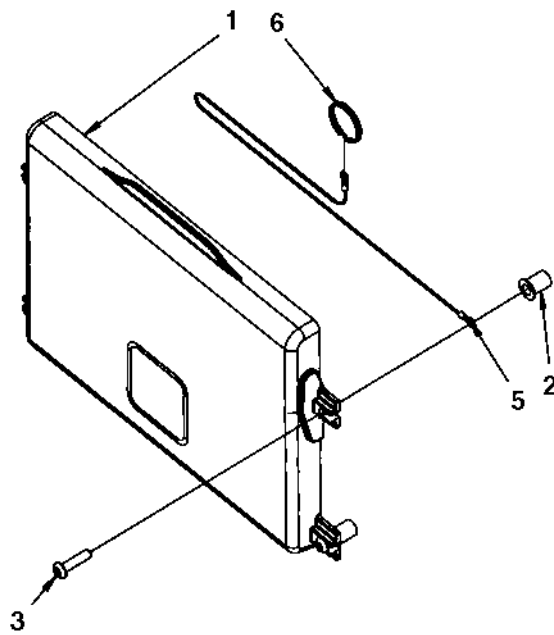


Heater controls

Ref. No.	Part No.	Rem.	Qty	Description	Code
1			1	Panel plate	
2	377508		2	Knob	
3	938622		1	Switch	
4			2	Cover	
5	377507		1	Rotary control	
6			1	Overlay	
7	395841		1	Wire clips	
8	395842		1	Wire	
9	395853		2	Lock washer	

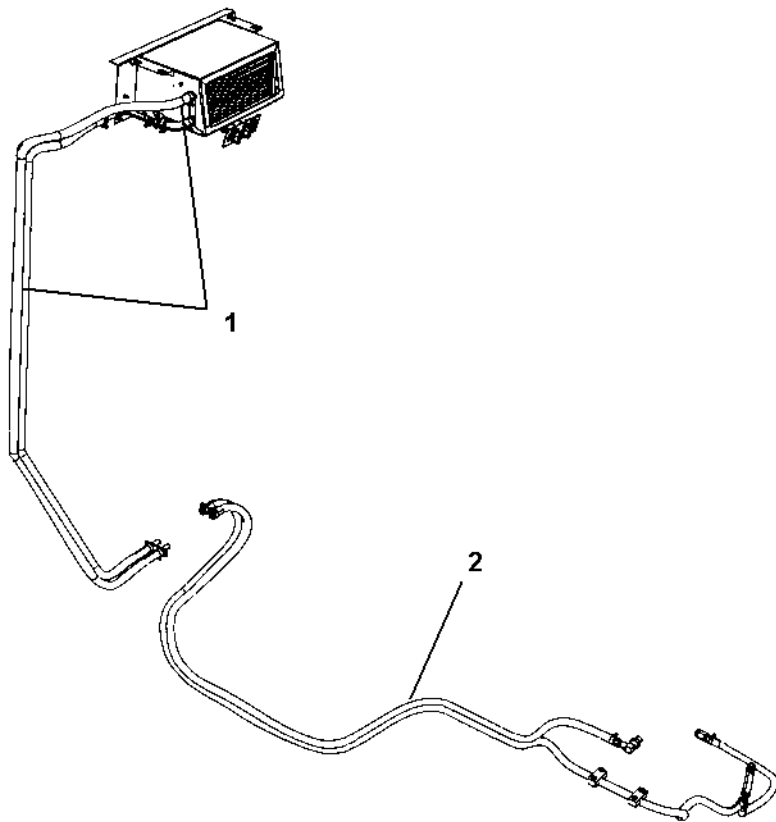
Manual box

394119



Manual box

Ref. No.	Part No.	Rem.	Qty	Description	Code
1	383705		1	Instruction book holder	
2	792536		4	Rubber nut	
3	792589		4	Screw	
5	384584		1	Wire	
6	358254		1	Key-ring	

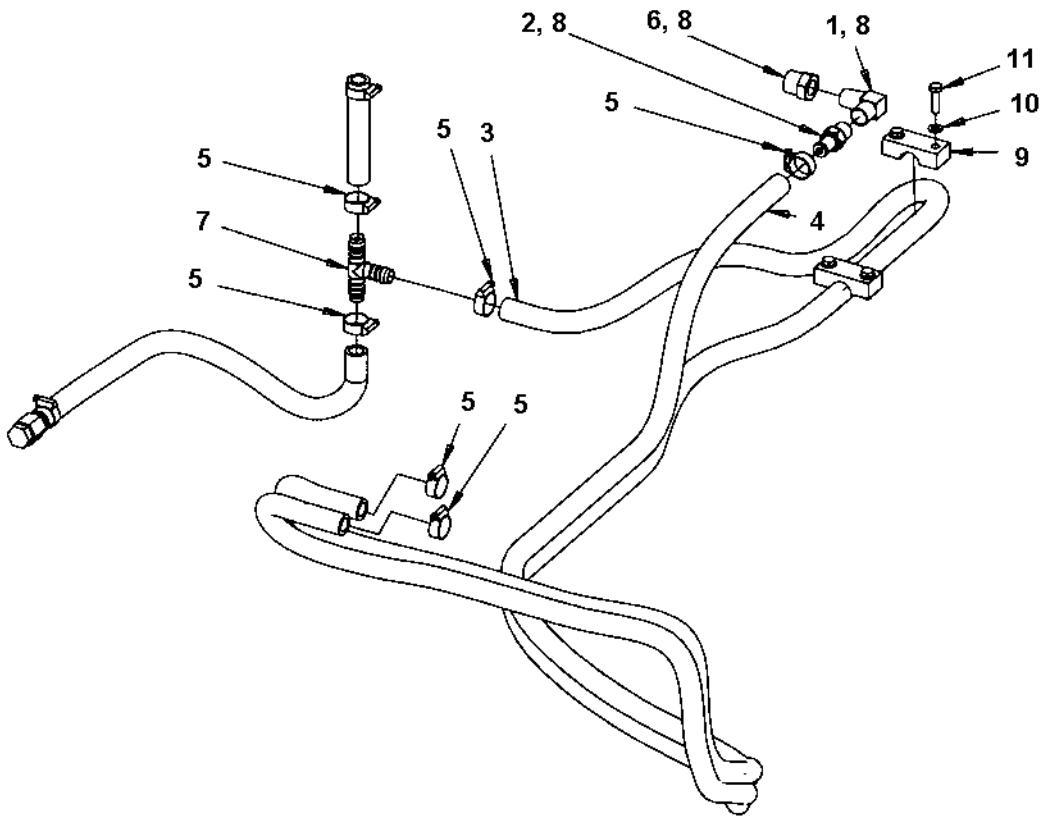


Cab heater system

Ref. No.	Part No.	Rem.	Qty	Description	Code
1			1	Heater unit (Page 366)	
2			1	Heater hoses (Page 376)	

Heater hoses

392185

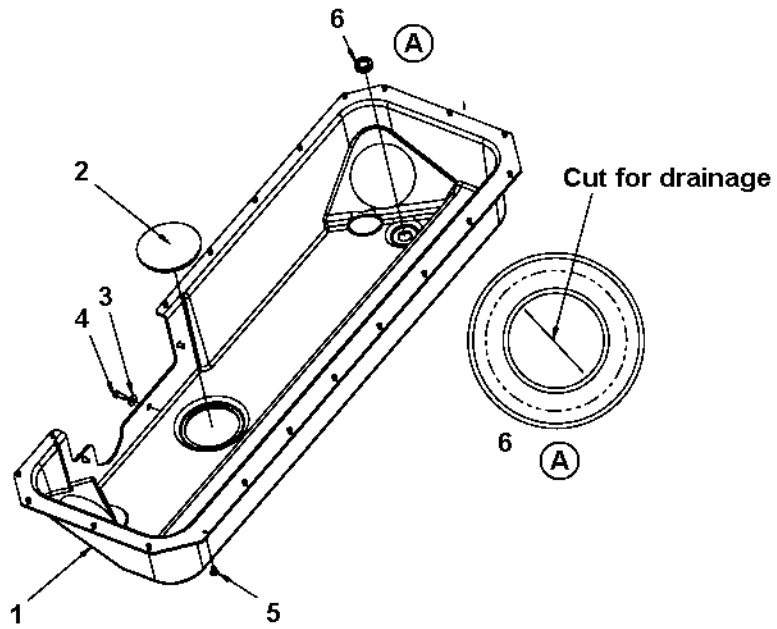


Heater hoses

Ref. No.	Part No.	Rem.	Qty	Description	Code
1	234365		1	Elbow 90	
2	387638		1	Hose connection	
3	205112	A	1XL	Coolant hose	
4	205112	B	1XL	Coolant hose	
5	313004		6	Hose clamp	
6	813434		1	Reducer	
7	792065		1	Hose connection	
8	901141	N		Sealing compound	
9	395065		2	Pipe clamp	
10	904229		4	Washer	
11	500022		4	Screw	

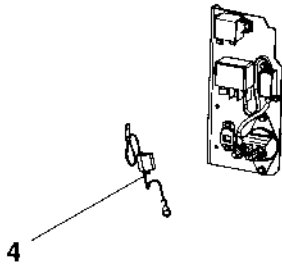
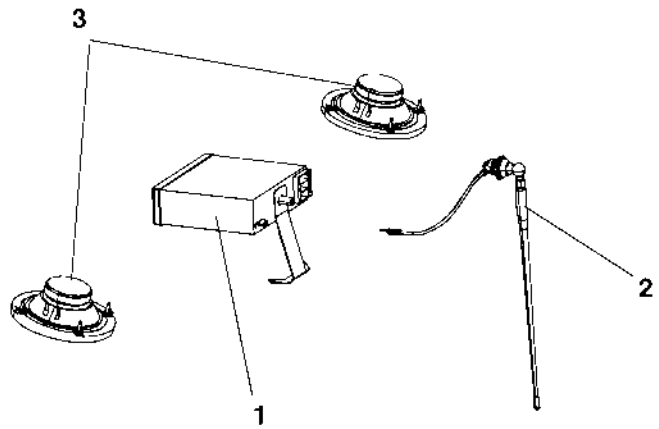
A) L= 3.9 m

B) L= 2.6 m



Cab noise cover

Ref. No.	Part No.	Rem.	Qty	Description	Code
1	391919		1	Noise reducing hood	
2	379992		3	Plug	
3	904640		3	Washer	
4	500053		3	Screw	
5	792325		21	Blind rivet	
6	792392		1	Grommet with membrane	

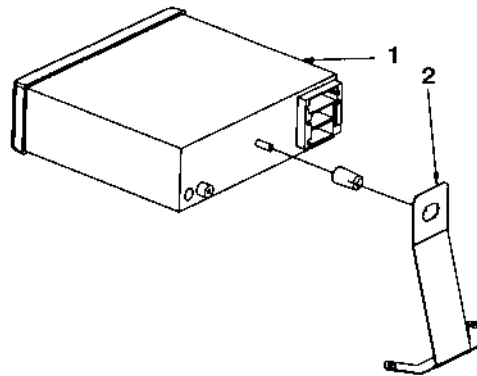


Radio and cd player

Ref. No.	Part No.	Rem.	Qty	Description	Code
1			1	Radio and cd player module (Page 382)	
2	937165		1	Antenna	
3	791968		2	Loud speakers	
4			1	Power supply module (Page 282)	

Radio and cd player module

394098

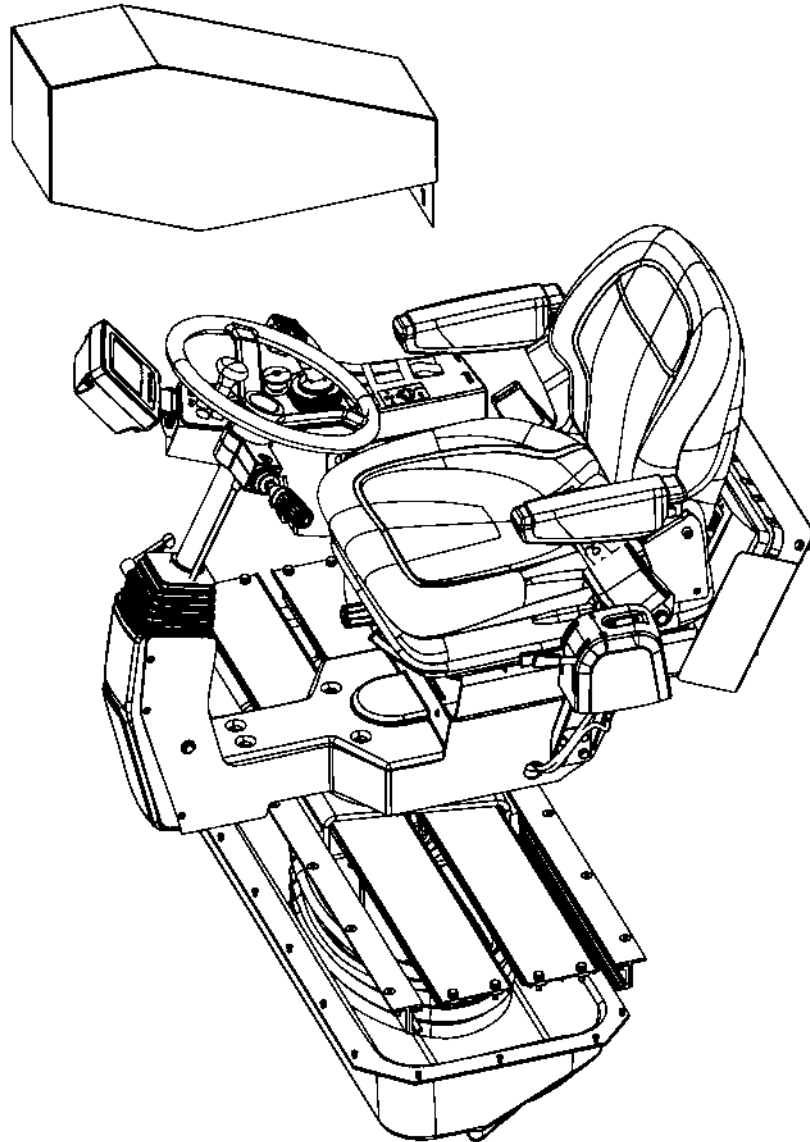


Radio and cd player module

Ref. No.	Part No.	Rem.	Qty	Description	Code
1	792583		1	Car stereo	
2	394654		1	Bracket	

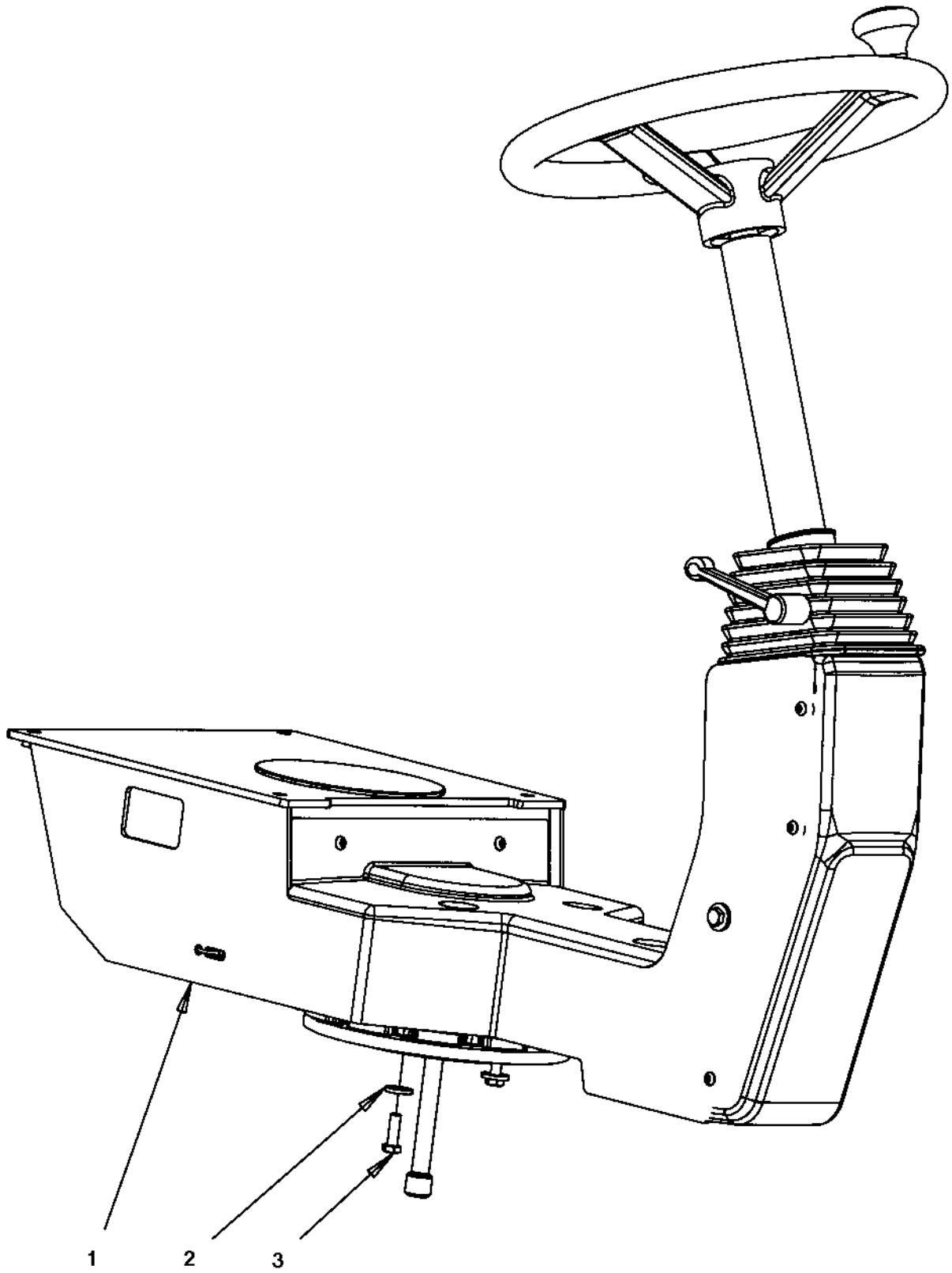
Drivers seat

AR0075



Drivers seat

Ref. No.	Part No.	Rem.	Qty	Description	Code
5				Seat frame structure (Page 386)	
6				Seat CE (Page 392)	
7				Seat with suspension (Page 394)	
10				Controls, slidable and turning (Page 396)	
14				Cross sliding (Page 398)	
15				Drive control, cpl (Page 402)	
16			1	Control panel cover (Page 406)	
20				Display unit (Page 408)	
21				Steering column switch module (Page 296)	
22	377677		1	Seat belt	2"
	379637		1	Seat belt	3"

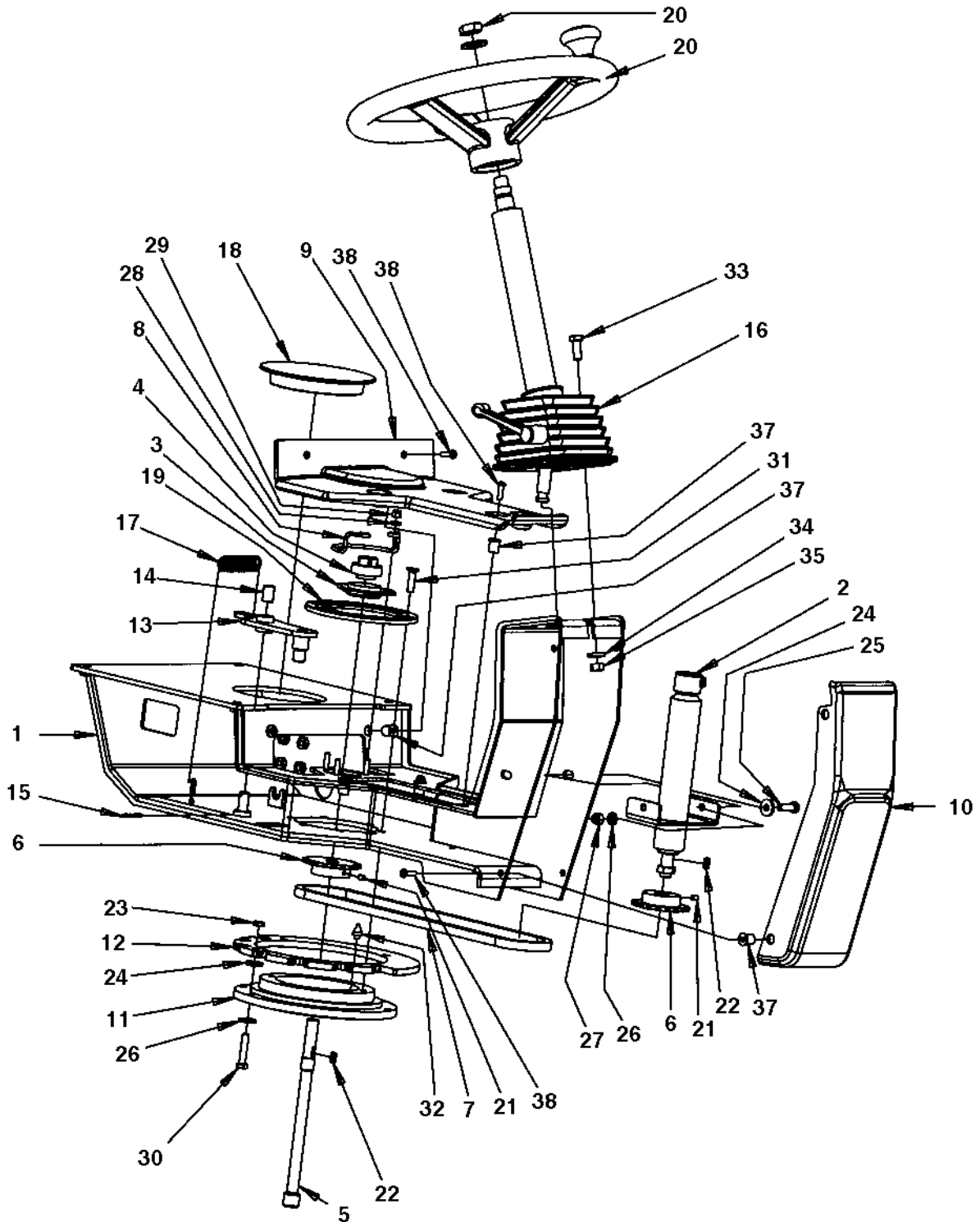


Seat frame structure

Ref. No.	Part No.	Rem.	Qty	Description	Code
1			1	Seat frame (Page 388)	
2	904229		8	Washer	
3	947679		4	Screw	

Seat frame

379731

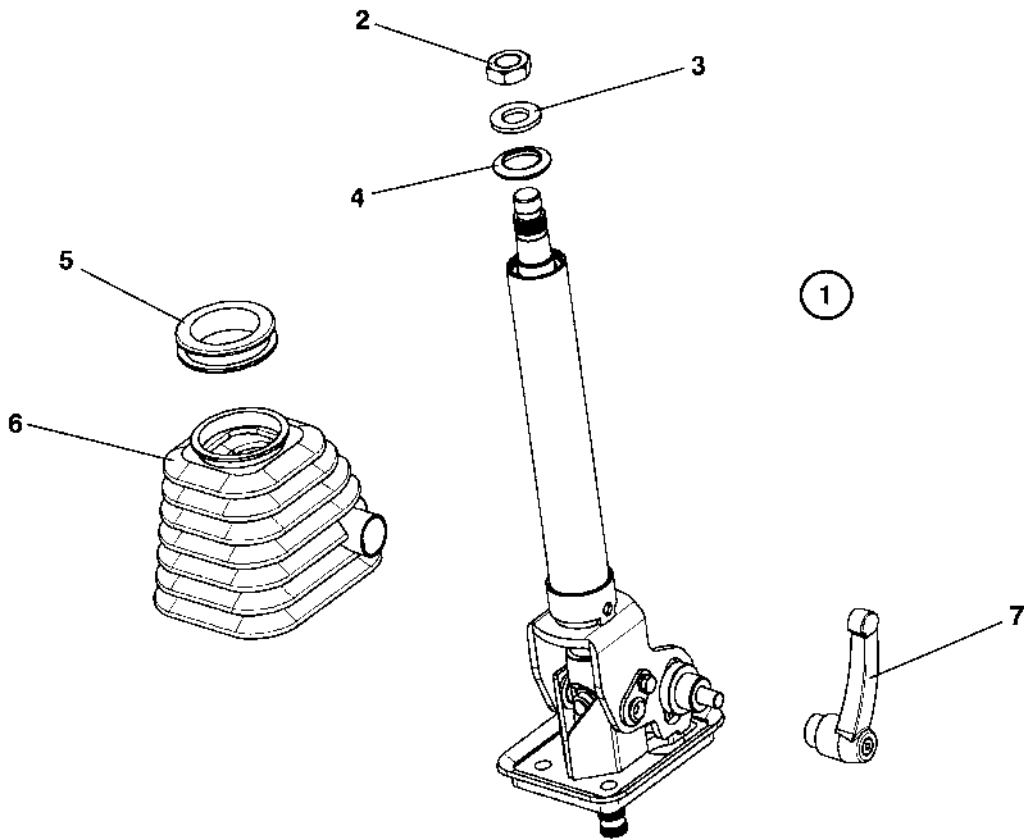


Seat frame

Ref. No.	Part No.	Rem.	Qty	Description	Code
1	395447		1	Seat frame	
2	359919		1	Shaft	
3	903917		1	Bearing outer	
4	903918		1	Bearing inner	
5	391770		1	Shaft	
6	359916		2	Chain wheel	D
7	379718		1	Chain and connecting link	
8	372672		1	Chain guard	
9	392839		1	Cover	
10	392840		1	Cover	
11	359125		1	Ball bearing	
12	379728		1	Locking disc	
13	395383		1	Coupling link	
14	359819		1	Bushing	
15	630008		1	Pin	D
16	391163		1	Steering column (Page 390)	C
17	359043		1	Spring	D
18	359920		1	Plug	
19	372965		1	Lock ring	
20	372964		1	Steering wheel, cpl	
21	516051		2	Set screw	
22	350009		2	Flat key	D
23	573008		4	Nut	M8
24	904640		6	Washer	
25	500021		2	Screw	
26	904229		6	Washer	
27	586003		2	Lock nut	
28	603001		3	Washer	
29	586002		3	Lock nut	
30	792678		4	Screw	
31	902520		6	Screw	
32	926214		1	Grease fitting	D
33	500029		3	Screw	
34	904557		3	Washer	
35	570006		3	Nut	
37	792539		10	Rubber nut	
38	791524		10	Screw	

391163 Steering column

18412

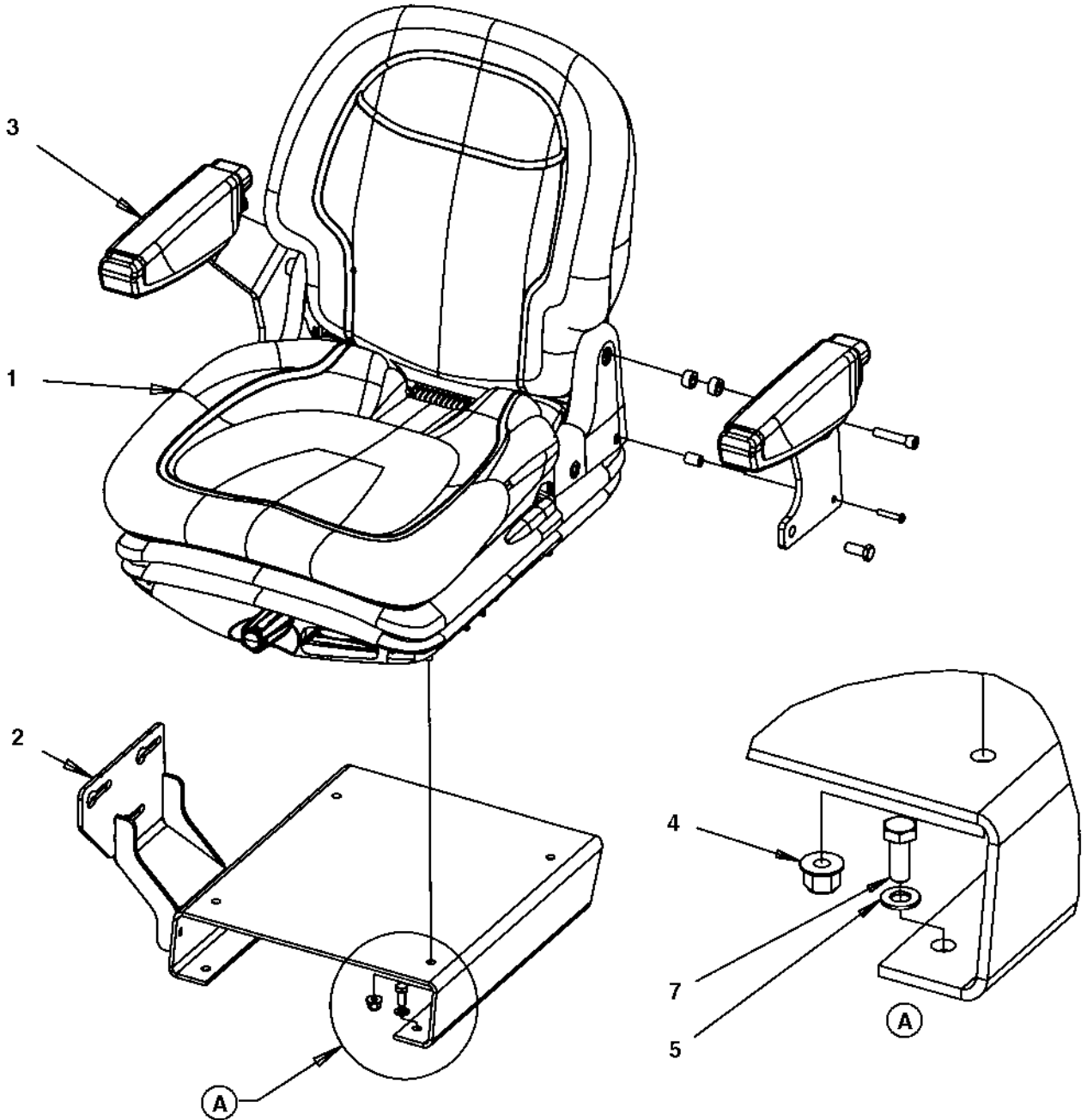


391163 Steering column

Ref. No.	Part No.	Rem.	Qty	Description	Code
1	391163			Steering column (Page 390)	C
2	945632		1	.Nut	
3	945633		1	.Washer	
4	945634		1	.Rubber cap	
5	945635		1	.Bellows ring	
6	945636		1	.Bellows	
7	945637		1	.Locking handle	

Seat CE

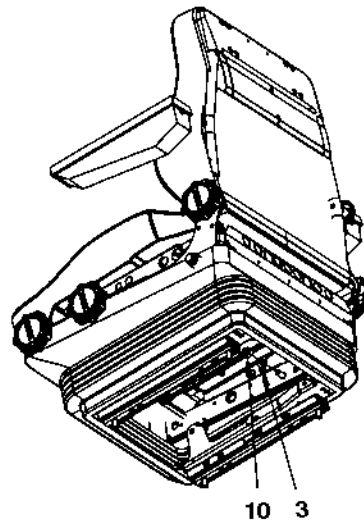
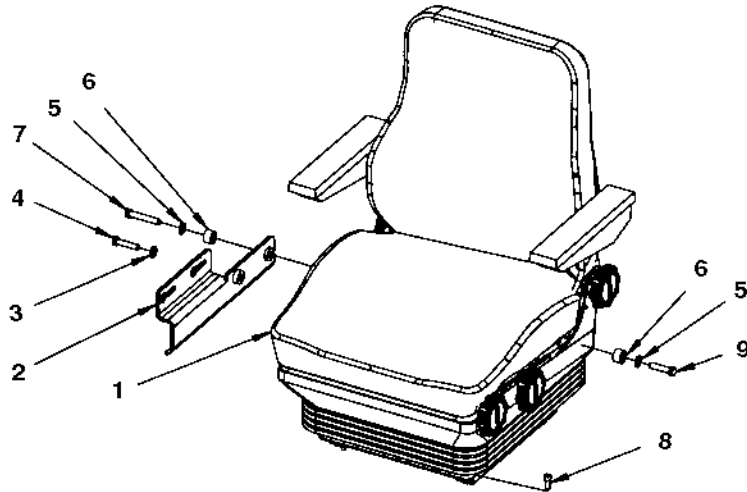
391081



Seat CE

Ref. No.	Part No.	Rem.	Qty	Description	Code
1	377518		1	Drivers seat, cpl	
	945622		1	.Seat switch	
	945661	A	1	.Adjuster kit	D
2	390561		1	Seat frame	
3	390963		1	Arm rest kit	
4	902286		4	Lock nut	
5	904229		4	Washer	
7	500053		4	Screw	

A) Left & right sliding rail



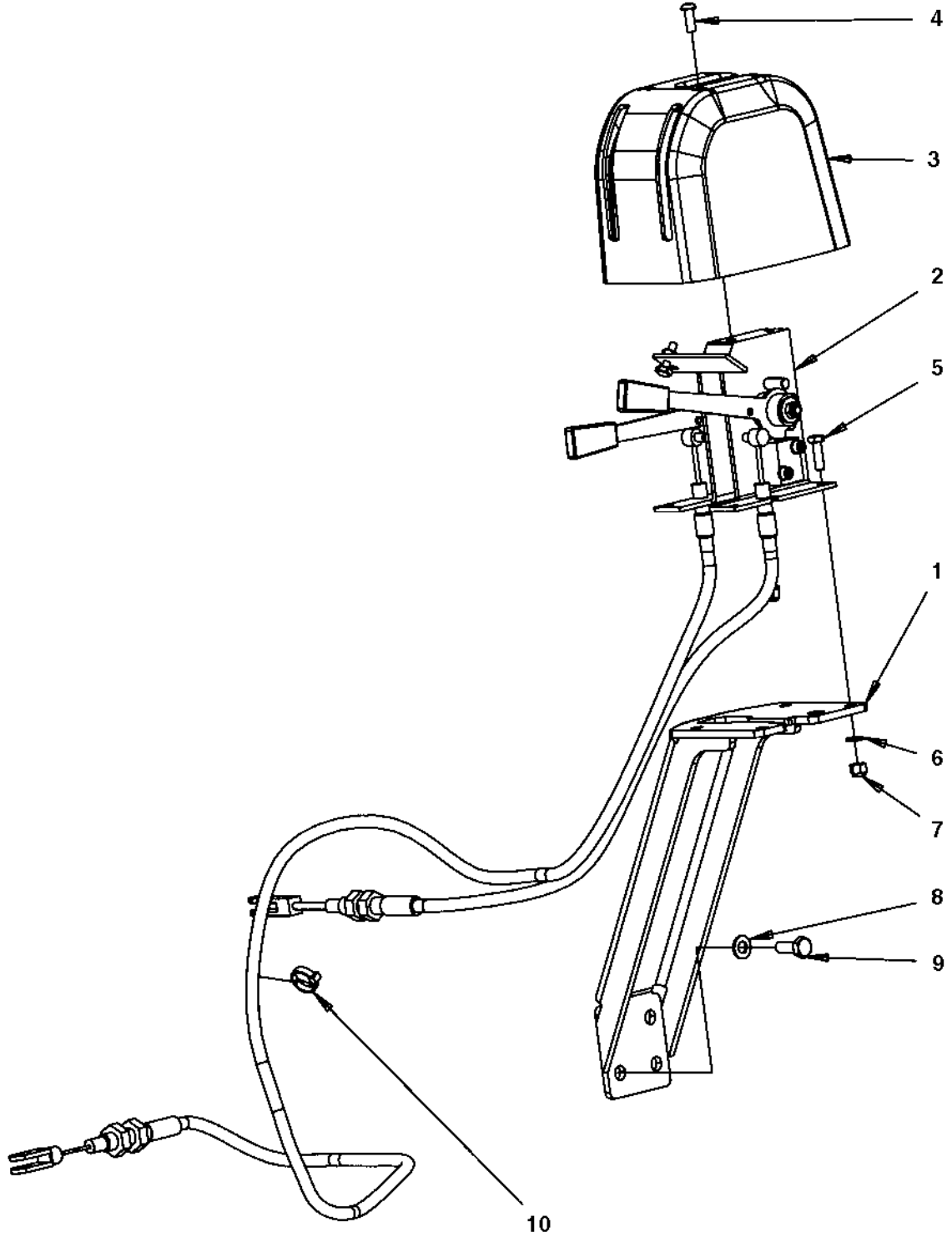
Seat with suspension

Ref. No.	Part No.	Rem.	Qty	Description	Code
1	390013	A	1	Seat	
	937892		1	.Seat switch	
	937620		1	.Arm rest, right	
	937621		1	.Arm rest, left	
2	390169		1	Bracket	
3	904230		2	Washer	
4	500161		1	Screw	
5	904638		2	Washer	12x22x2
6	791572		2	Spacer washer	
7	792501		1	Screw	
8	508092		4	Screw	
9	792527		1	Screw	
10	586018		1	Lock nut	

A) Without seat belt

Controls, slidable and turning

391065

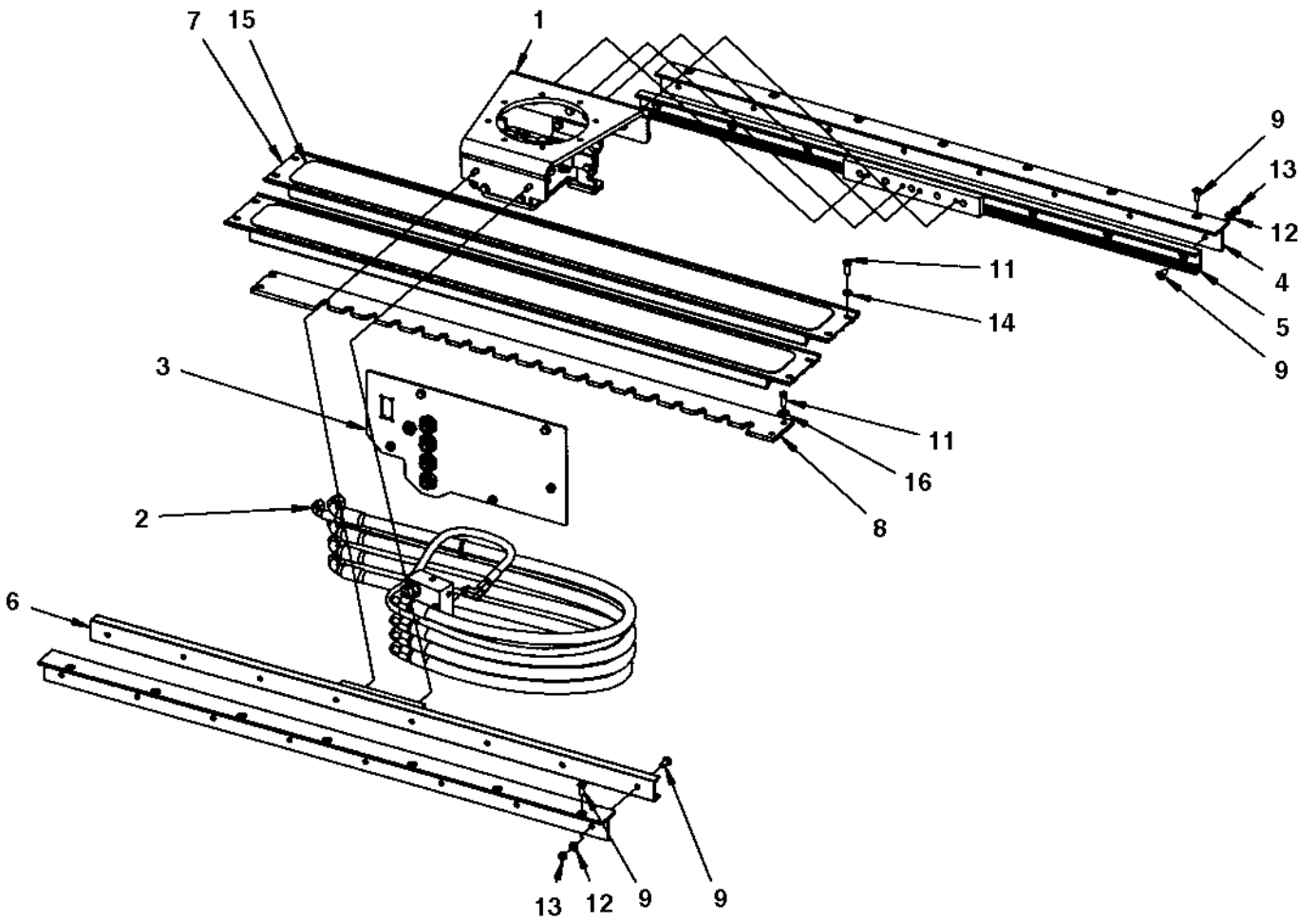


Controls, slidable and turning

Ref. No.	Part No.	Rem.	Qty	Description	Code
1	391241		1	Bracket	
2	390239		1	Control	
	393496		1	.Cable	680
	393497		1	.Cable	1300
3	392965		1	Control cover	
4	904206		2	Screw	
5	500040		4	Screw	
6	904228		4	Washer	
7	586002		4	Lock nut	
8	904229		4	Washer	
9	500053		4	Screw	
10	313041		N	Cable ties	

Cross sliding

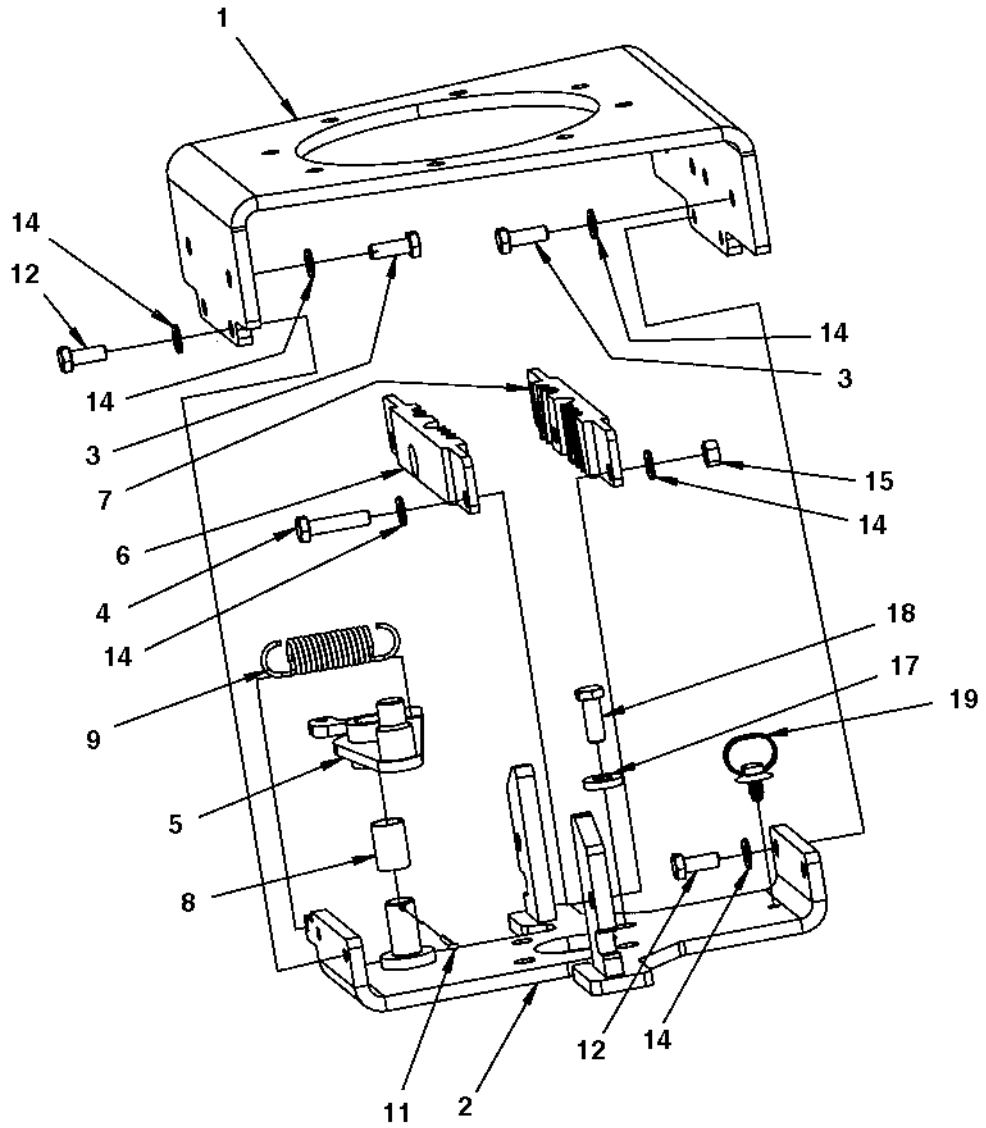
391087



Cross sliding

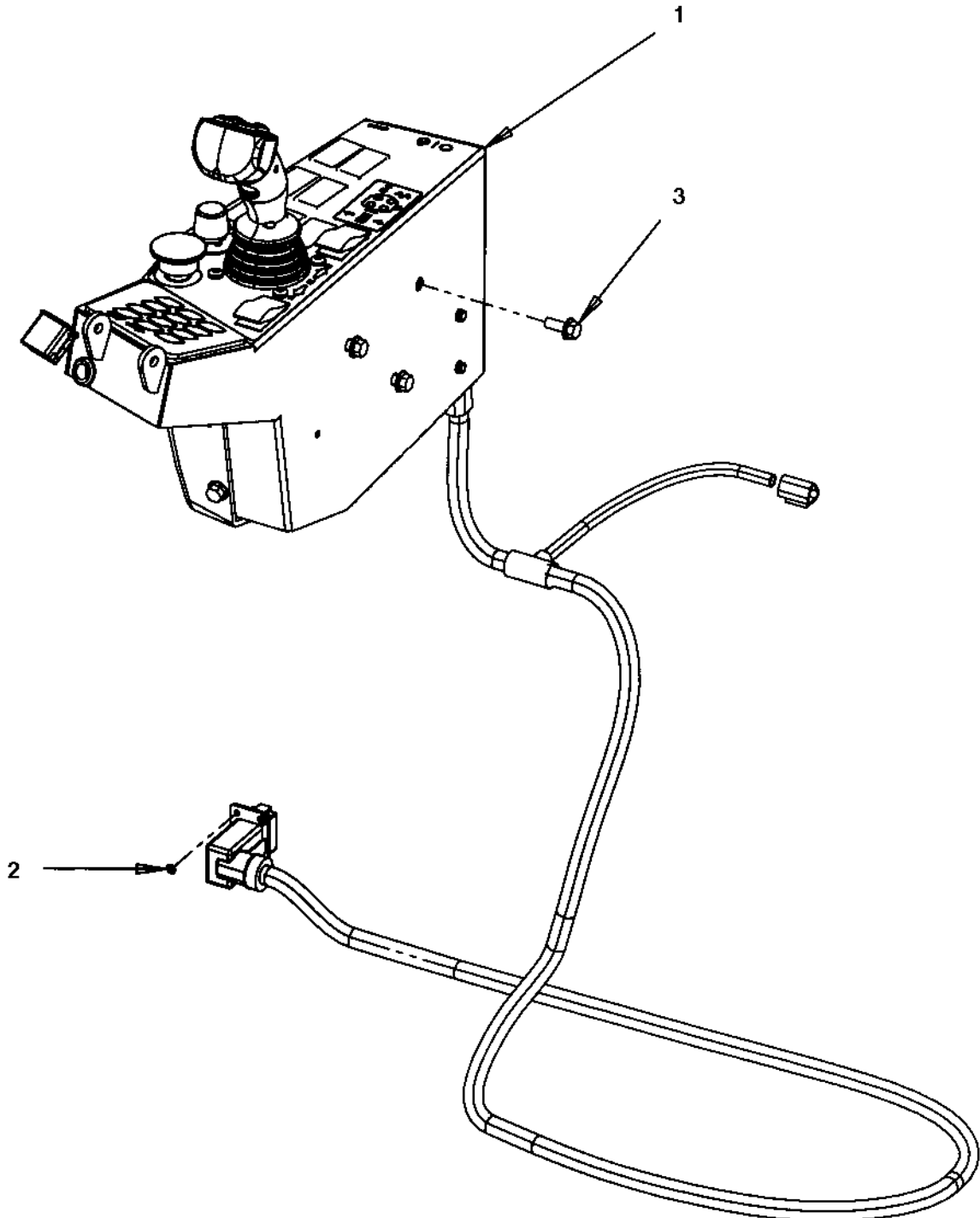
Ref. No.	Part No.	Rem.	Qty	Description	Code
1			1	Carrier (Page 400)	
2			1	Steering, slideable (Page 234)	
3			1	Hose bracket (Page 230)	
4	390428		2	Rail holder	
5	391082		1	Linear bearing	
6	391083		1	Linear bearing	
7	393191		2	Cover	
8	379729		1	Locking rail	
9	513003		30	Screw	
11	500020		12	Screw	M8-1,25x22 8,8
12	904229		16	Washer	
13	570005		16	Nut	
14	904556		8	Washer	
15	393978		2	Slip protection	
16	791304		4	Washer	

Carrier
379727C



Carrier

Ref. No.	Part No.	Rem.	Qty	Description	Code
1	379715		1	Carrier	
2	391478		1	Steering valve bracket	
3	500020		6	Screw	M8-1,25x22 8,8
4	500047		2	Screw	
5	393347		1	Coupling link	
6	372959		1	Clamp	
7	372960		1	Clamp	
8	359819		1	Bushing	
9	359043		1	Spring	D
11	630008		1	Pin	D
12	500053		4	Screw	
14	904229		14	Washer	
15	570005		2	Nut	
17	904557		4	Washer	
18	502035		4	Screw	3/8"-16UNCx1 8.8
19	792441		1	Cable tie with holder	

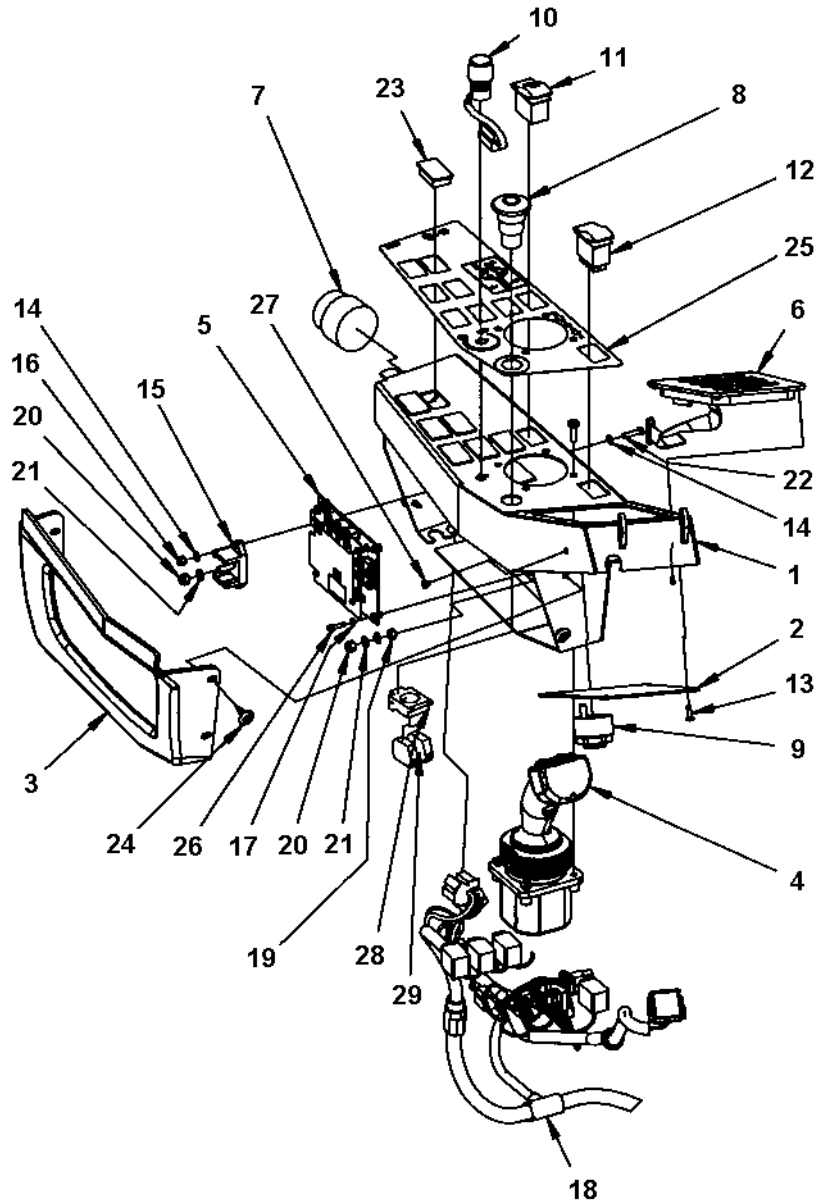


Drive control, cpl

Ref. No.	Part No.	Rem.	Qty	Description	Code
1			1	Drive control (Page 404)	
2	791709		4	Pop rivet	
3	500505		3	Screw	

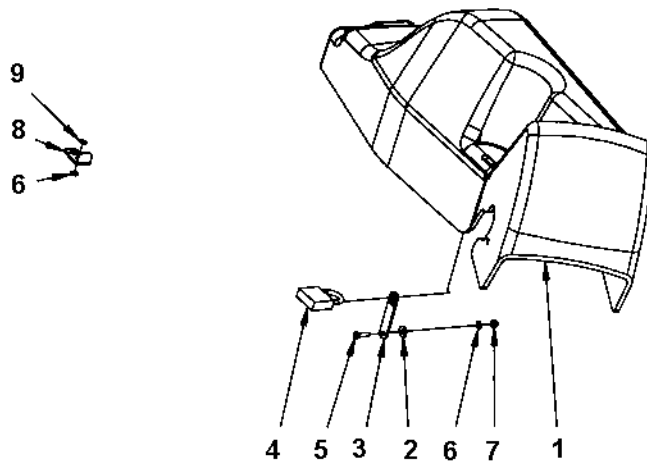
Drive control

391100B



Drive control

Ref. No.	Part No.	Rem.	Qty	Description	Code
1	396661		1	Control box	
2	391396		1	Cover	
3	396662		1	Cover	
4	391420		1	Control handle	
5	390861		1	Control unit	
6	391421		1	Membrane switch panel	
7	238158		1	Ignition switch	
	940451		1	.Key	
8	791739		1	Emergency stop	
9	385599		1	Buzzer	
10	388737		1	Potentiometer	
11	791582		1	Switch, parking brake	
12	792414		1	Switch, RPM	
13	526010		4	Thread rolling screw	
14	904281		4	Washer	
15	392930		1	Junction box	
16	586001		2	Lock nut	
17	541527		4	Thread rolling screw	
18	391579		1	Cable harness	
19	570004		1	Nut	M6
20	586002		2	Lock nut	
21	904228		3	Washer	
22	500060		2	Screw	M5-0,8x20 8.8
23	791588		7	Panel plug	
24	395785		4	Screw	
25	393031		1	Decal	
26	508022		4	Screw	M4x16
27	902804		1	Plug	
28	791733		1	Fixing collar	
29	791723		2	Connector	

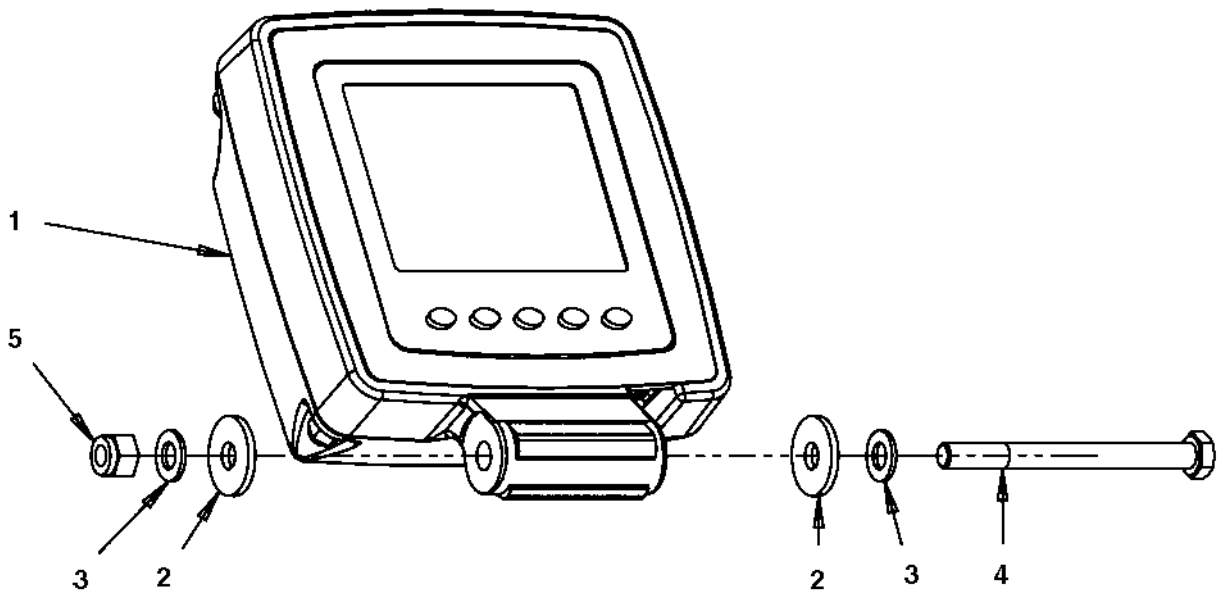


Control panel cover

Ref. No.	Part No.	Rem.	Qty	Description	Code
1	395947		1	Instrument panel cover	
2	900497		1	Plastic washer	
3	387545		1	Latch	
4	358881		1	Pad lock	
5	792589		1	Screw	
6	904281		3	Washer	
7	586001		1	Lock nut	
8	396670		1	Bracket	
9	904619		2	Blind rivet	

Display unit

391103

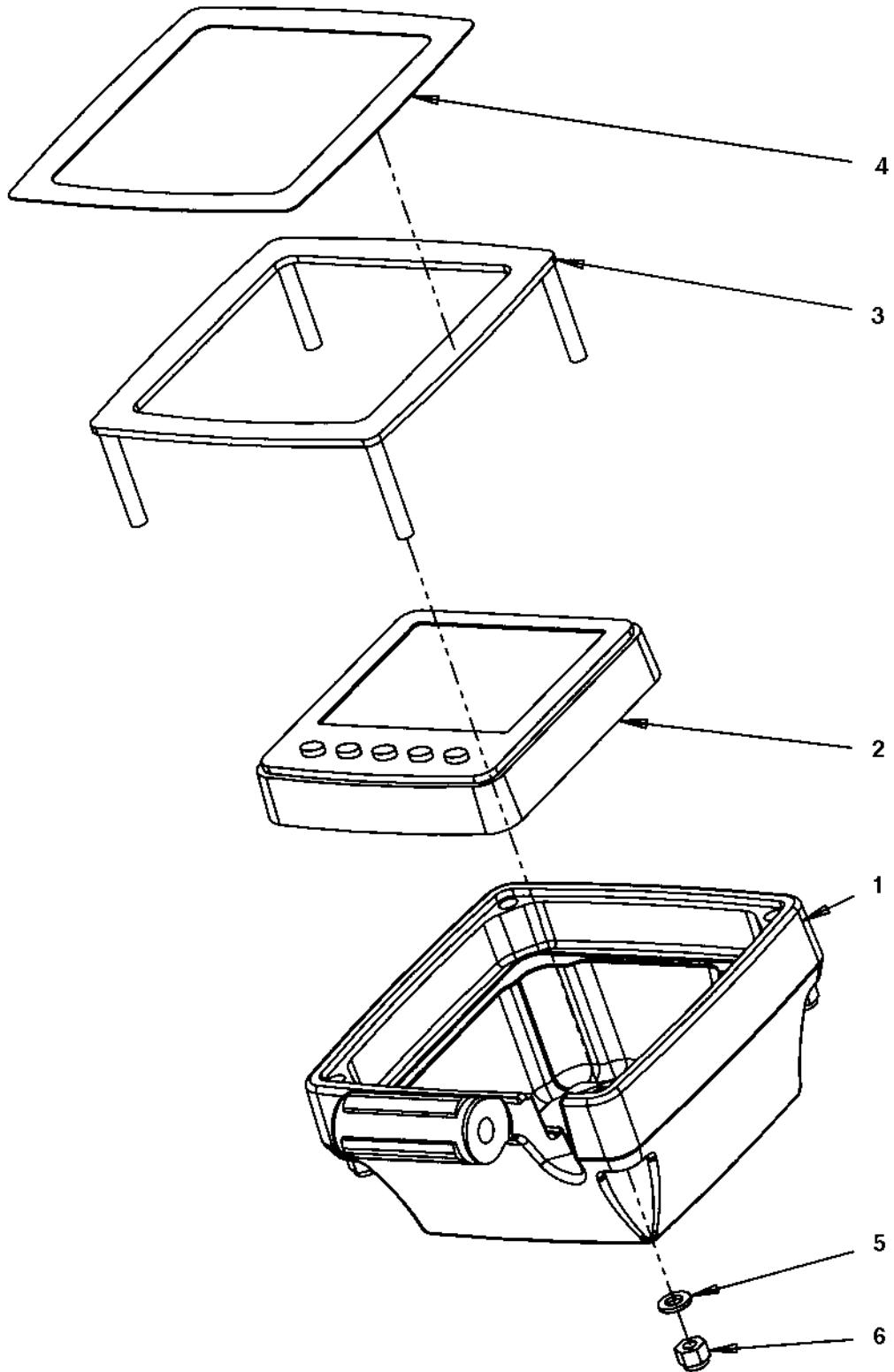


Display unit

Ref. No.	Part No.	Rem.	Qty	Description	Code
1			1	Display (Page 410)	
2	903662		2	Washer	
3	904229		2	Washer	
4	500115		1	Screw	M8-1,25x90 8.8
5	586003		1	Lock nut	

Display

391101



Display

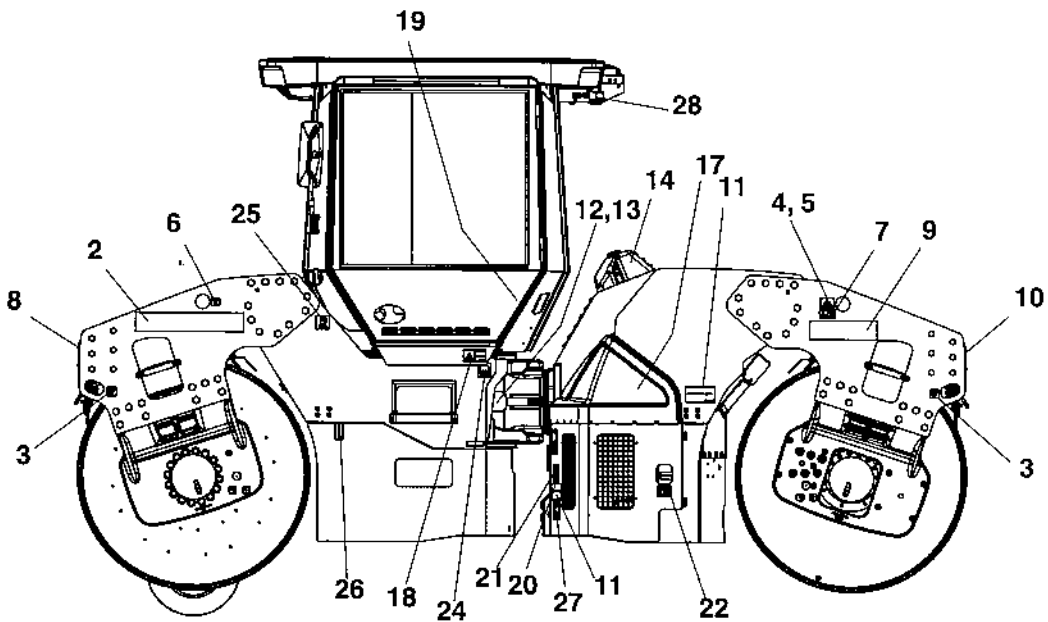
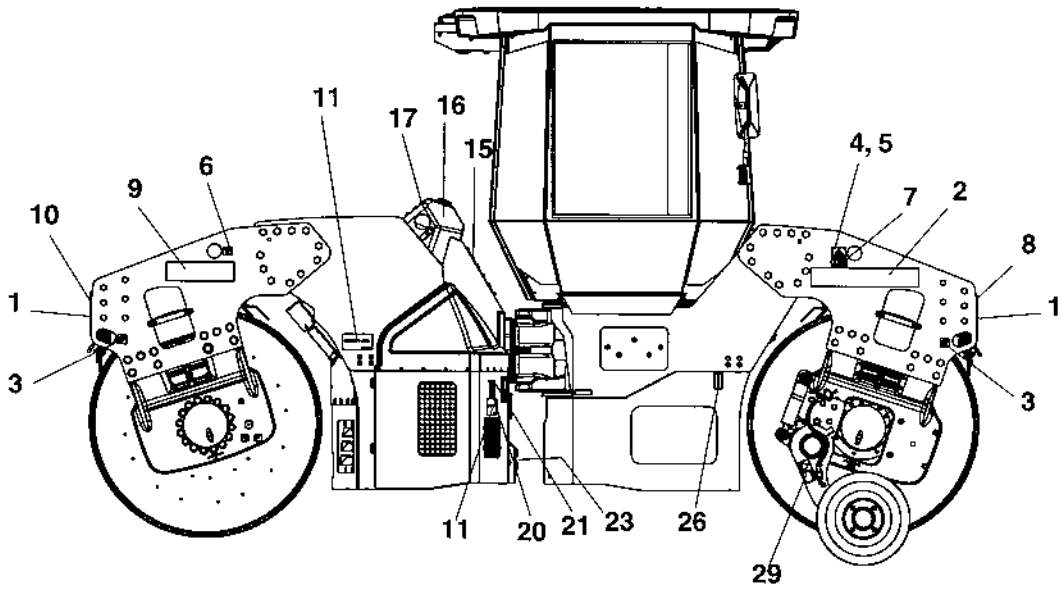
Ref. No.	Part No.	Rem. Qty	Description	Code
1	392717	1	Display holder	
2	391240	1	Display unit	
3	392719	1	Cover	
4	393094	1	Decal	
5	904228	4	Washer	
6	586002	4	Lock nut	

Decals

Ref. No.	Part No.	Rem.	Qty	Description	Code
1				Decals (Page 414)	

Decals

18638



Decals

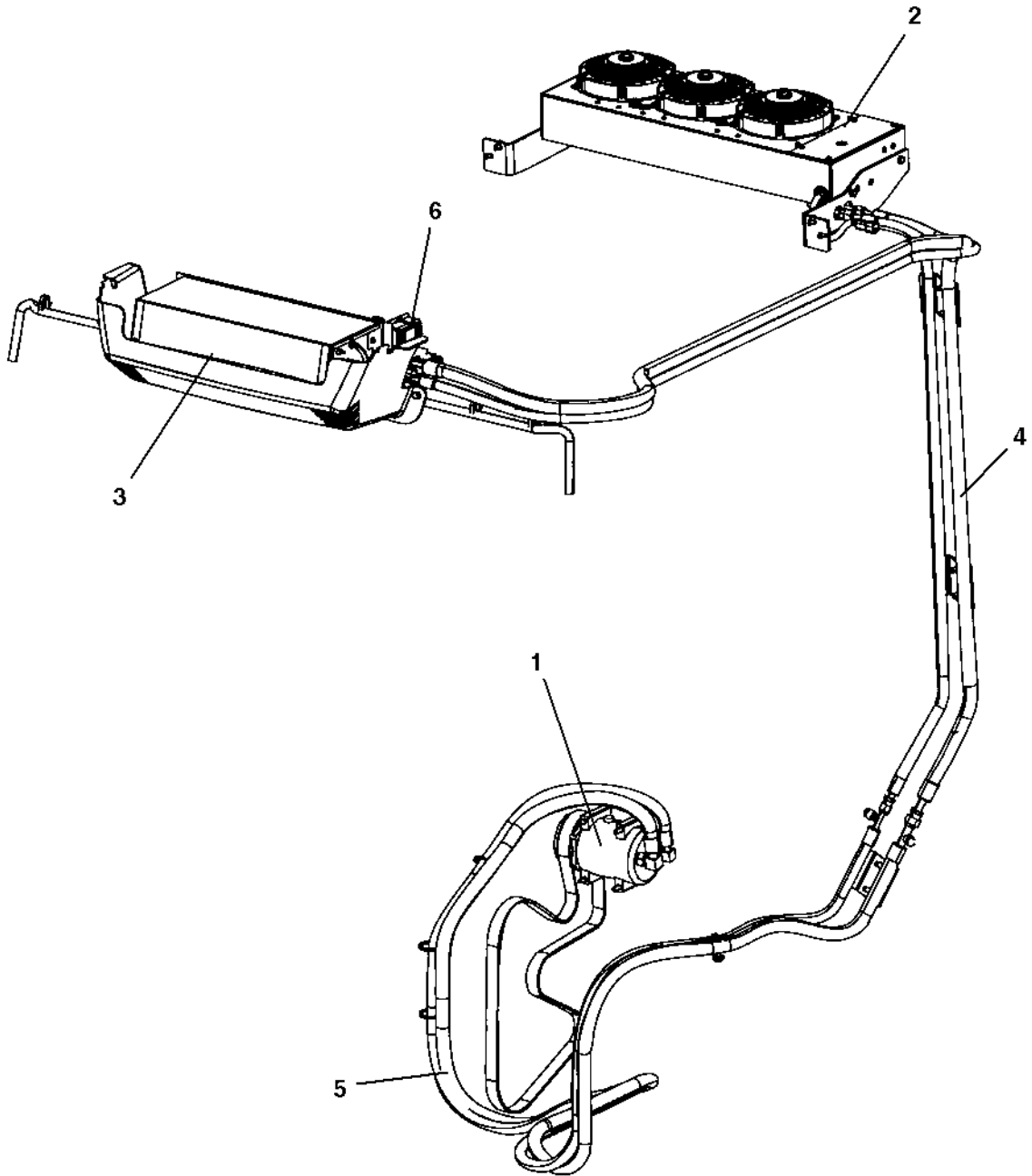
Ref. No.	Part No.	Rem.	Qty	Description		Code
1	904094		2	Decal "DYNAPAC"	L=670 mm	
2	904092		2	Decal "DYNAPAC"	L=590 mm	
3	382751		4	Decal "TIE DOWN POINT"		
4	904870		2	Lifting sign		
5	624005		8	Blind rivet	3,2x6,1	
6	357587		2	Decal "LIFT POINT"		
7	908229		2	Safety decal		
8	377743		2	Reflector, white		B
9	792574		2	Decal "MODEL CODE"	CC524HF	
10	377742		2	Reflector, red		B
11	903422		4	Decal "SAFETY"		
12			1	Product identification plate		
13	624005		4	Blind rivet	3,2x6,1	
14	272372		1	Decal "HYDRAULIC OIL"		
	904601		1	Decal "BIO HYDRAULIC OIL"		
	792772		1	Decal "BIO HYDRAULIC OIL"	PANOLIN	
15	272373		1	Decal "HYDRAULIC OIL"		
16	388449		1	Decal "Engine coolant fill"		
17	791642		2	Decal "WARNING"	Use of starting fluid prohib.	
18	903459		1	Decal "SAFETY"		
19	903425		2	Decal "SAFETY MANUAL"		
20	903423		2	Decal "SAFETY"		
21	903424		2	Decal "HOT SURFACE"		
22	904835		1	Decal "BATTERY POWER"		
23	393959		1	Decal "24V"		
24	991657		1	Decal "WATER"		
25	991658		1	Decal "FUEL"		
26	377744		2	Reflector, yellow		B
27	791277		1	Decal "Sound power level"	107dB	
	791278		1	Decal "Sound power level"	108dB	
	791279		1	Decal "Sound power level"	109dB	
28	904165		1	Safety decal	Toxic gases	
29	904083		1	Safety decal		

Optional equipment

Ref. No.	Part No.	Rem.	Qty	Description	Code
1				Air conditioning (Page 418)	
2				Edge cutter (Page 442)	

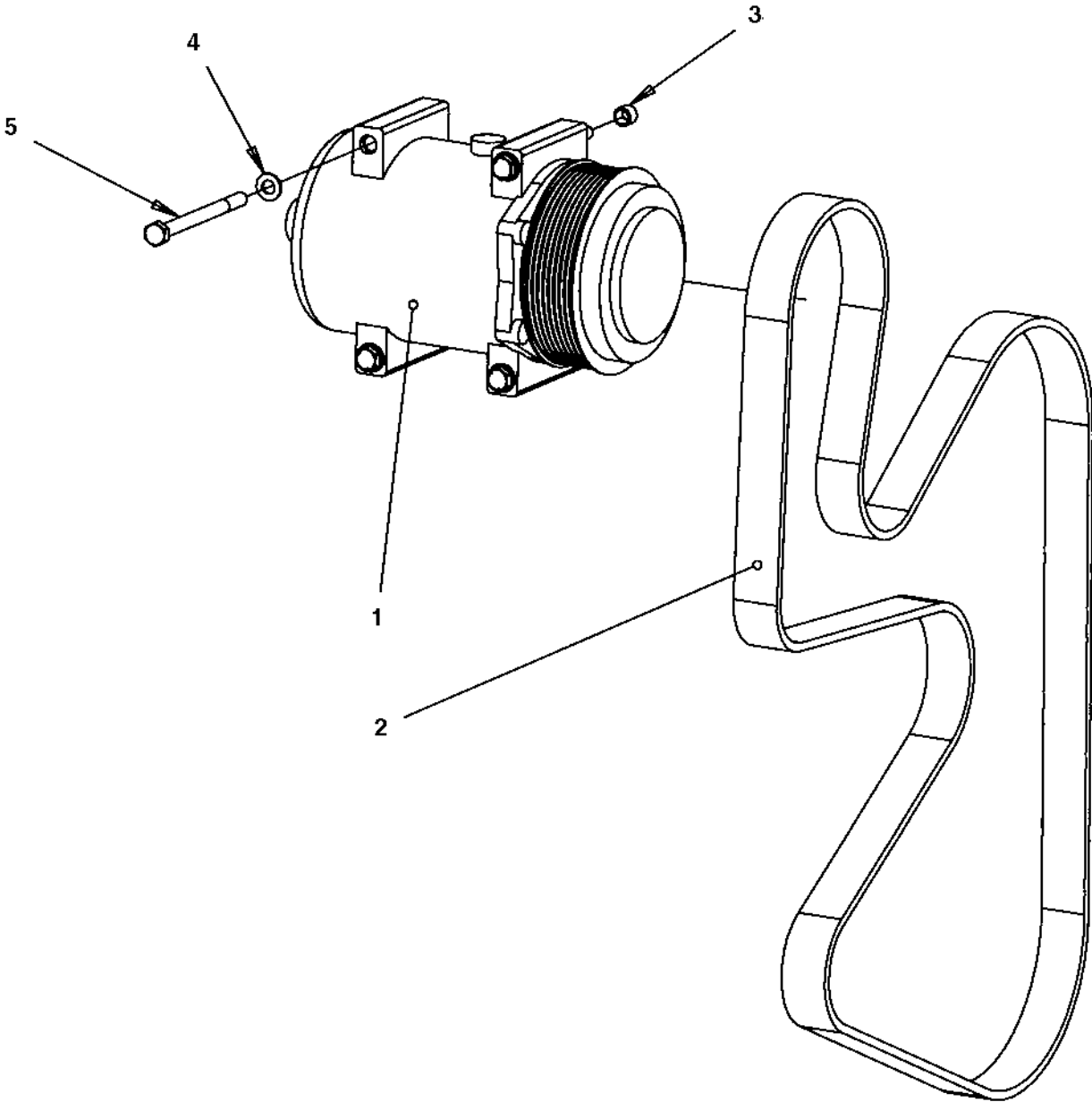
Air conditioning

18648



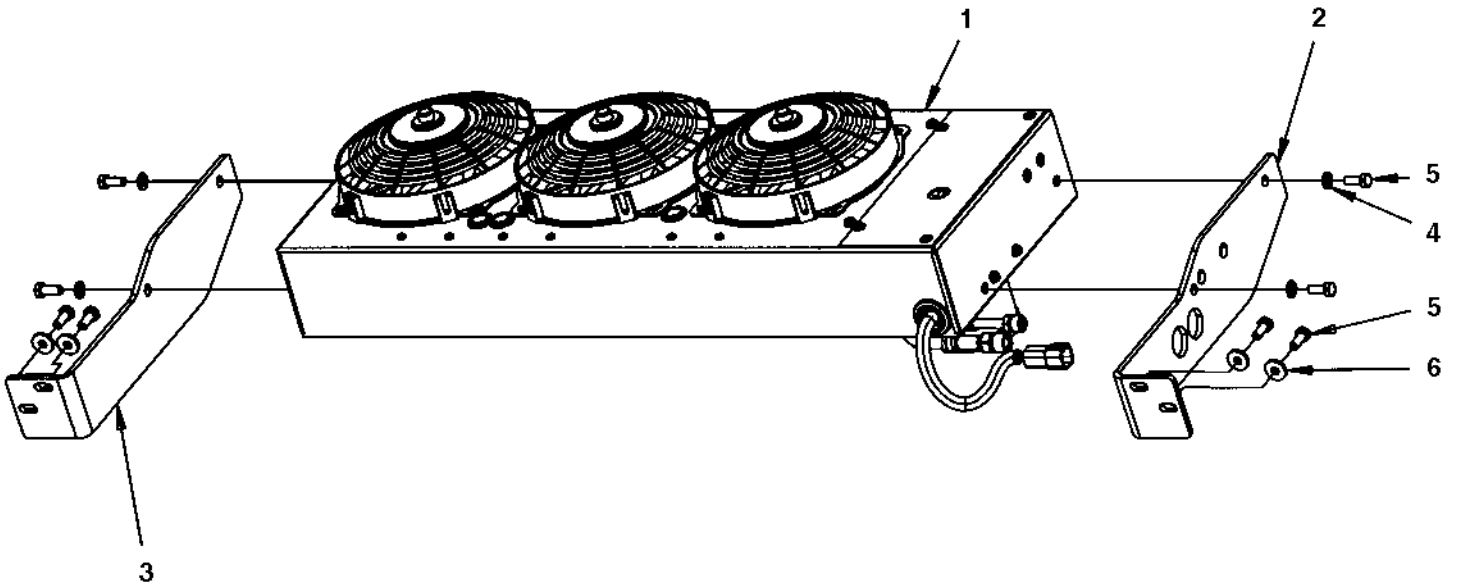
Air conditioning

Ref. No.	Part No.	Rem.	Qty	Description	Code
1			1	Compressor module (Page 420)	
2			1	Condensor module (Page 422)	
3			1	Evaporator module (Page 426)	
4			1	Hose kit AC (Page 430)	
5			1	Hose kit Compressor (Page 434)	
6			1	ACC module (Page 438)	



Compressor module

Ref. No.	Part No.	Rem.	Qty	Description	Code
1	391621		1	Compressor	
2	391622		1	Belt	
3	945314		2	Guide ring	
4	904229		4	Washer	
5	500096		4	Screw	

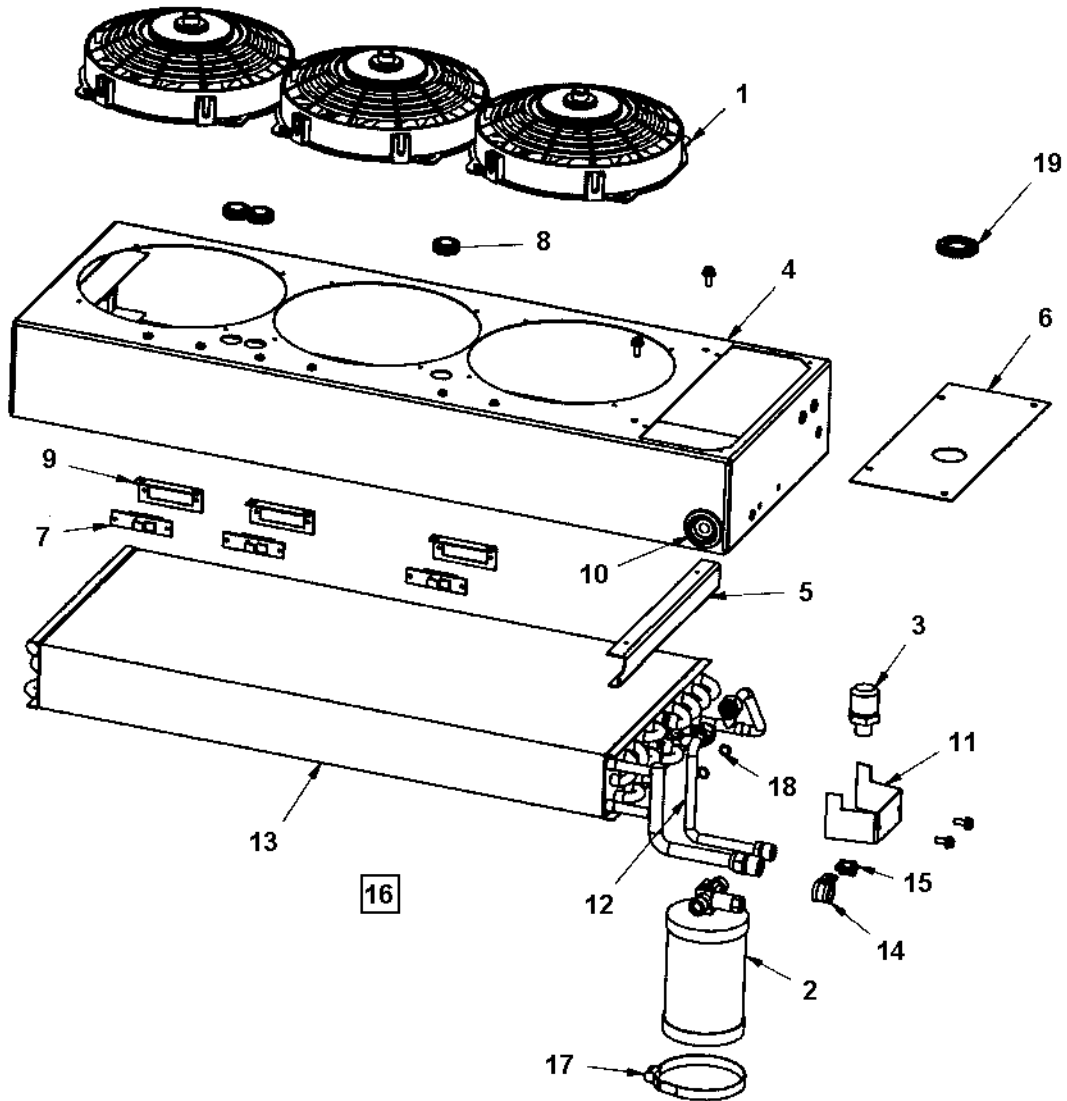


Condensor module

Ref. No.	Part No.	Rem. Qty	Description	Code
1		1	Condensor (Page 424)	
2	393222	1	Bracket	
3	393223	1	Bracket	
4	904229	4	Washer	
5	500053	8	Screw	
6	904640	4	Washer	

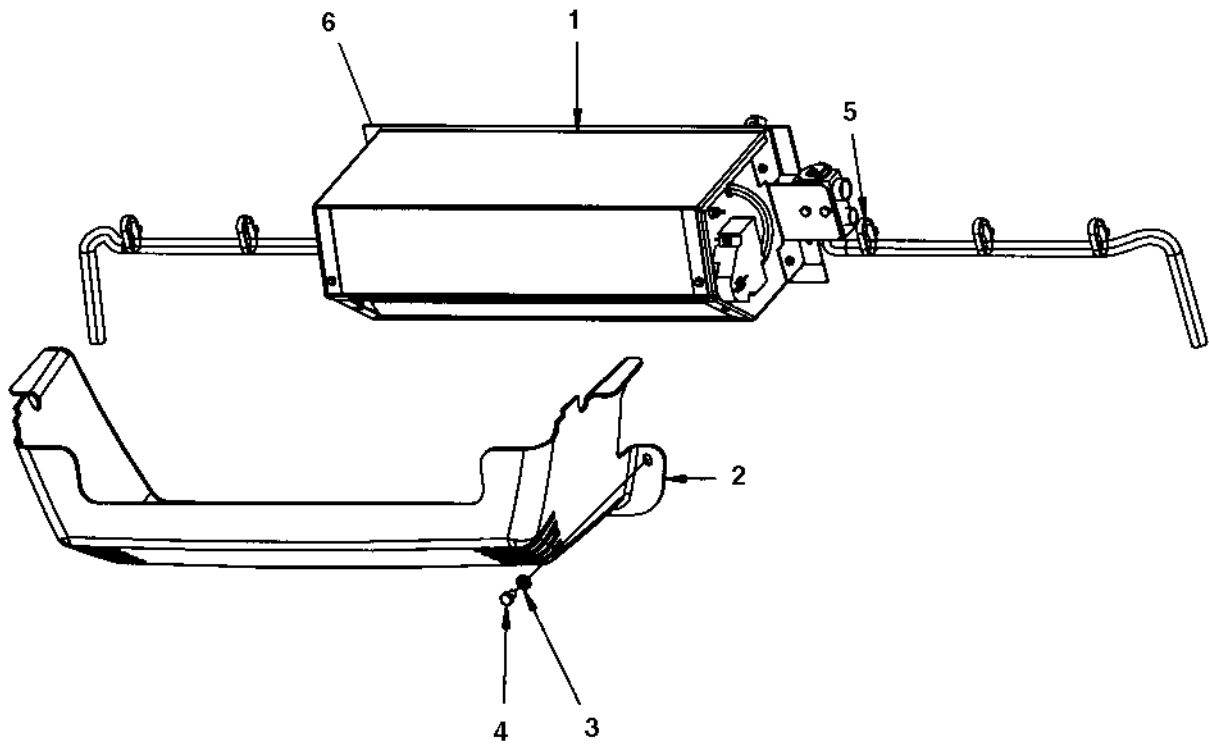
Condensor

393529



Condensor

Ref. No.	Part No.	Rem.	Qty	Description	Code
1	950372		3	Fan	
2	950373		1	Dryer	
3	938605		1	Pressure switch	
4			1	Casing	
5			1	Bracket	
6			1	Cover	
7	938606		3	Resistor	
8	938609		3	Grommet	
9			3	Resistor bracket	
10			1	Grommet	
11			1	Bracket	
12			1	Copper tube	
13	950374		1	Condensor Coil	
14			1	Clamp	
15			1	Clamp	
16	950375		1	Cable harness	
17	938789		1	Clamp	
18			2	O-ring	
19			1	Grommet	

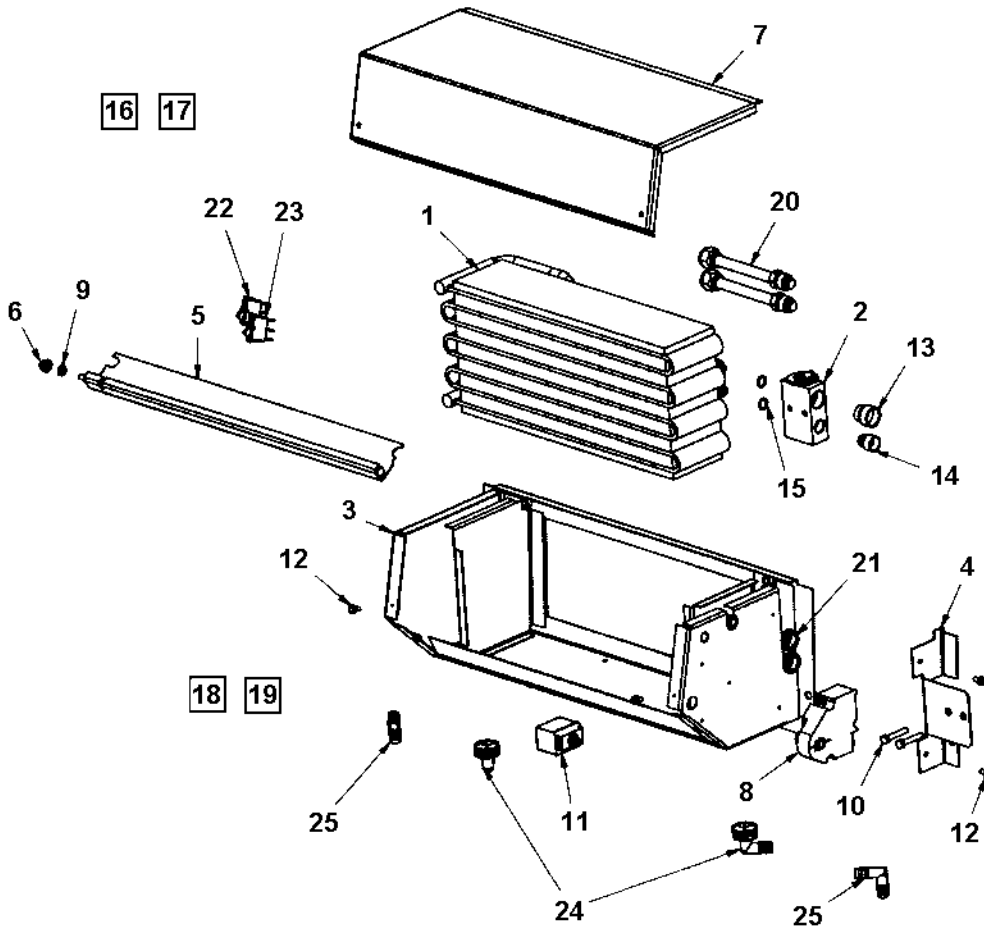


Evaporator module

Ref. No.	Part No.	Rem.	Qty	Description	Code
1	393584		1	Evaporator unit (Page 428)	
5	313102		N	Cable ties	
6	297018	A	1XL	Rubber strip	
7	395352		14	Cable tie holder	
8	313068		14	Cable ties	L=92 mm
A)	L= 1,6 m				

393584 Evaporator unit

393584

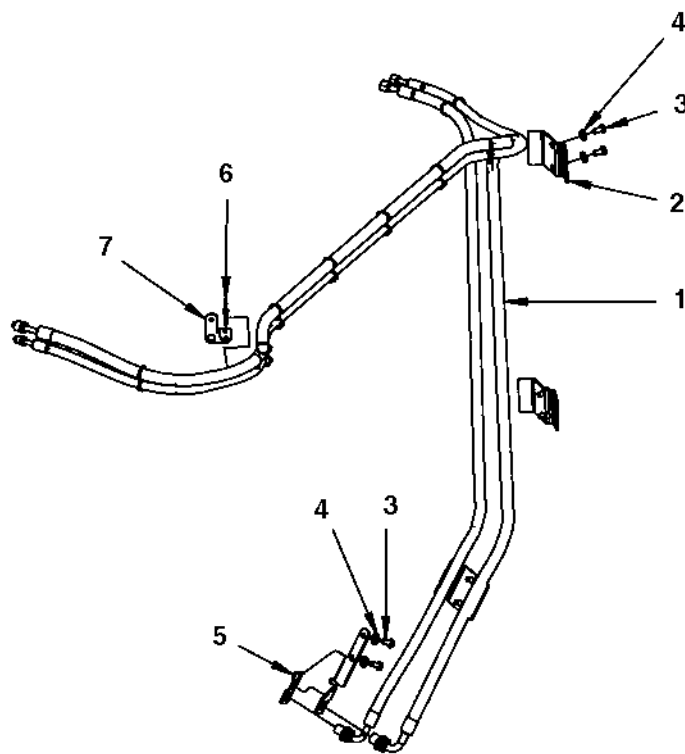


393584 Evaporator unit

Ref. No.	Part No.	Rem.	Qty	Description	Code
1	950310		1	Evaporator coil	
2	950342		1	Block valve	
3			1	Casing	
4			1	Bracket	
5			1	Recirculation cover	
6			1	Bushing	
7			1	Cover	
8	950343		1	Actuator motor	
9			1	Washer	
10			2	Screw	M6x35
11	950344		1	Thermostat	
12			4	Screw	M5x10
13			1	Plug	
14			1	Plug	
15	950345		2	O-ring	
16	950346		1	Cable harness, recirc.	
17	950347		1	Cable harness, panel	
18			1	Drain hose	
19			1	Drain hose	
20			2	Connect tube	
21			2	Insulation tape	
22	950348		1	Switch, air condition	
23	950349		1	Switch, recirculation	
24	950350		2	Drain valve	
25	950380		2	Drain elbow	

Hose kit AC

391787B

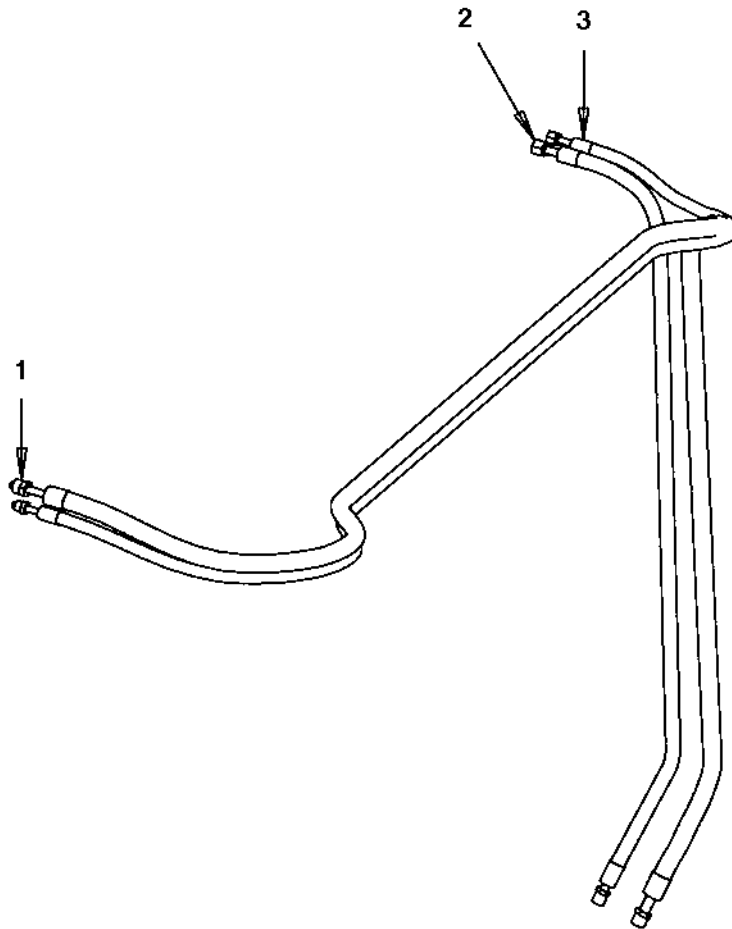


Hose kit AC

Ref. No.	Part No.	Rem.	Qty	Description	Code
1			1	Hose kit (Page 432)	
2	393418		2	Bracket	
3	500048		6	Screw	
4	904557		6	Washer	
5	394920		1	Bracket	
6	792686		9	Cable tie with holder	
7	395156		1	Bracket	

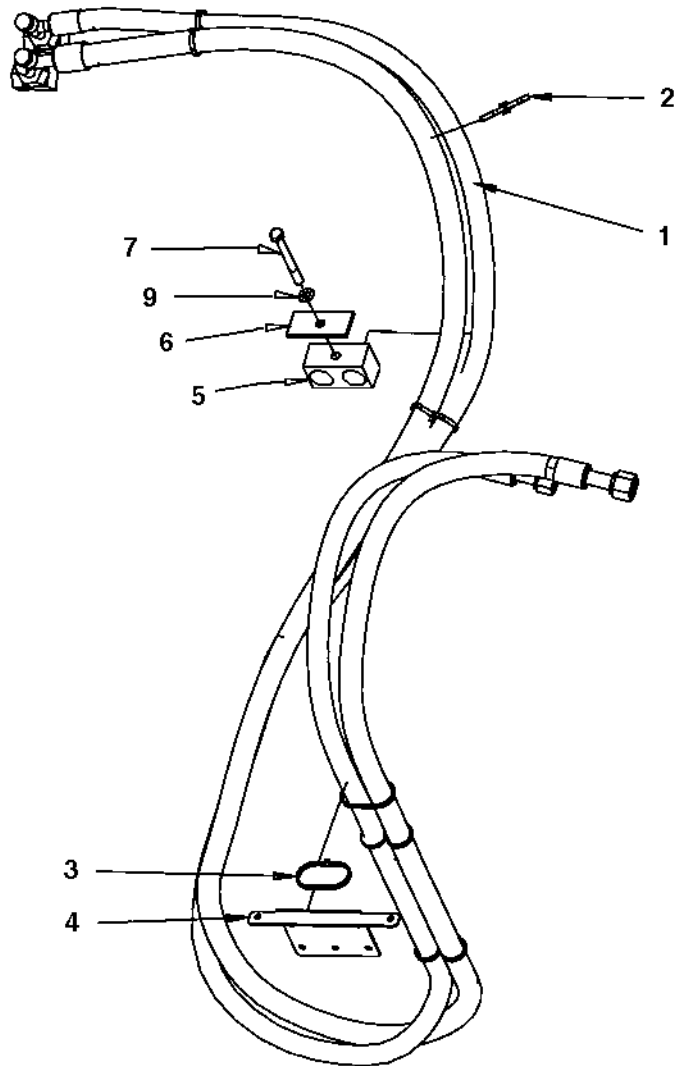
Hose kit

393799



Hose kit

Ref. No.	Part No.	Rem.	Qty	Description	Code
1	393597		1	Refrigerant hose	
2	393596		1	Refrigerant hose	
3	393594		1	Refrigerant hose	

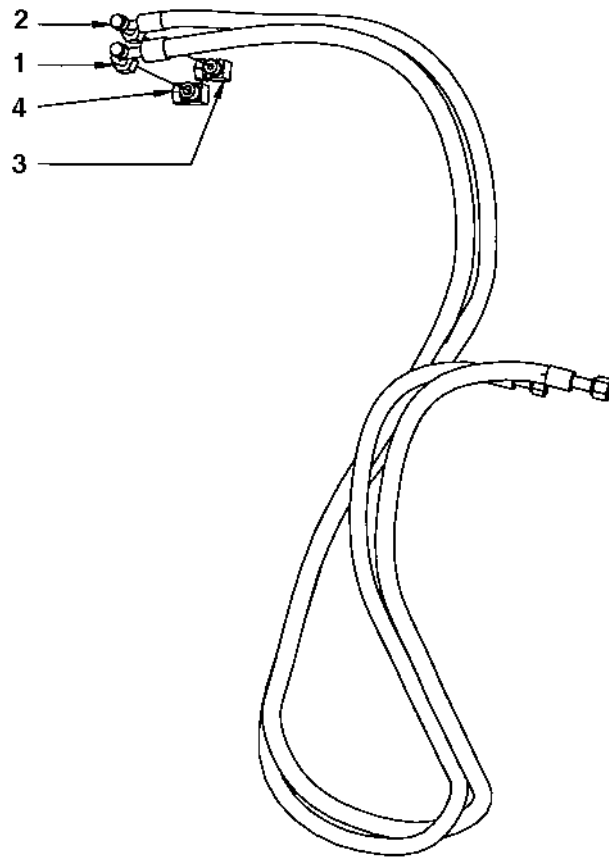


Hose kit Compressor

Ref. No.	Part No.	Rem.	Qty	Description	Code
1			1	Hose kit (Page 436)	AC
2	792686		15	Cable tie with holder	
3	313041		N	Cable ties	
4	394707		1	Bracket	
5	287295		1	Clamp	
6	287294		1	Cover plate	
7	500090		1	Screw	
9	904229		1	Washer	

Hose kit AC

393798

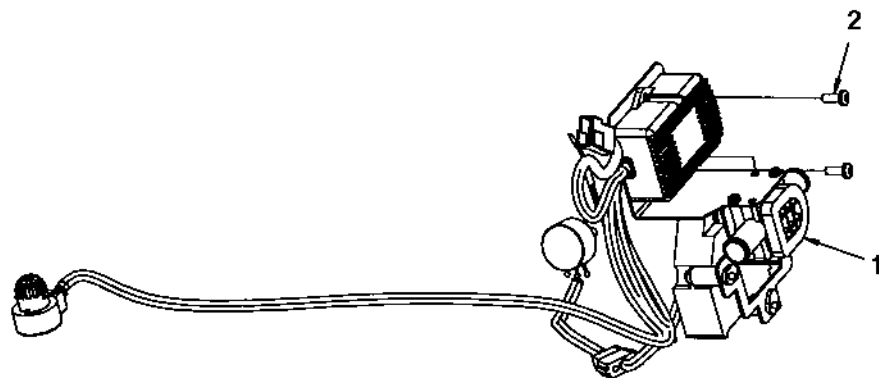


Hose kit AC

Ref. No.	Part No.	Rem.	Qty	Description	Code
1	393598		1	Refrigerant hose	
2	393595		1	Refrigerant hose	
3	394705		1	Refrigerant fitting	
4	394706		1	Refrigerant fitting	

ACC module

393631

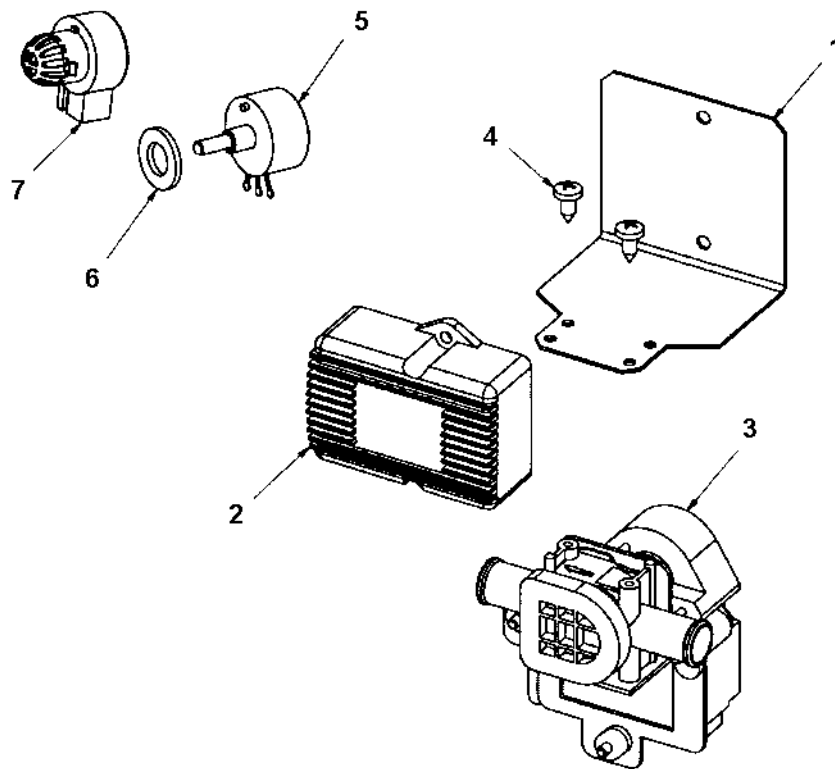


ACC module

Ref. No.	Part No.	Rem.	Qty	Description	Code
1			1	ACC controls (Page 440)	
2	792187		2	Screw	M5x14

ACC controls

393795

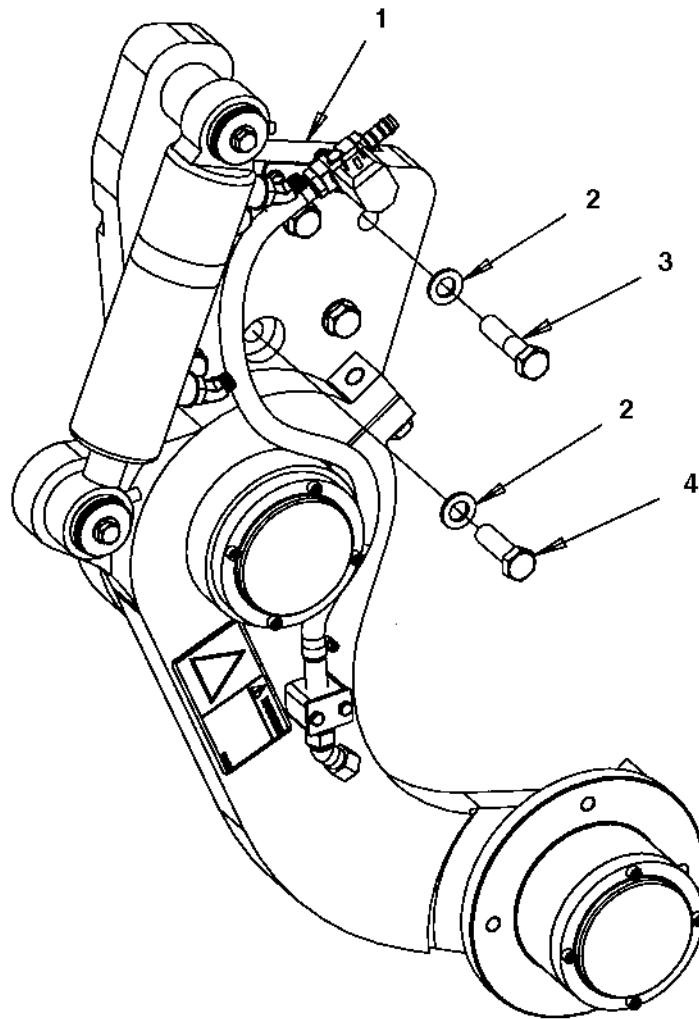


ACC controls

Ref. No.	Part No.	Rem.	Qty	Description	Code
1			1	Bracket	
2	950369		1	ATM unit	
3	950370		1	Heater valve	
4			2	Screw	
5	950371		1	Potentiometer	
6			1	Washer	
7	938624		1	Sensor	

Edge cutter

Ref. No.	Part No.	Rem.	Qty	Description	Code
1			1	Edge cutter, module (Page 444)	
2			1	Pressing roller, module (Page 454)	
3			1	Hydraulic valve, module (Page 456)	
4			1	Cover module (Page 44)	
5			1	Holder (Page 46)	
7	392060		1	Hose kit	
8	484103		1	Hydraulic hose	
9	484104		1	Hydraulic hose	
10	792395		1	Switch	
11	792396		1	Switch	

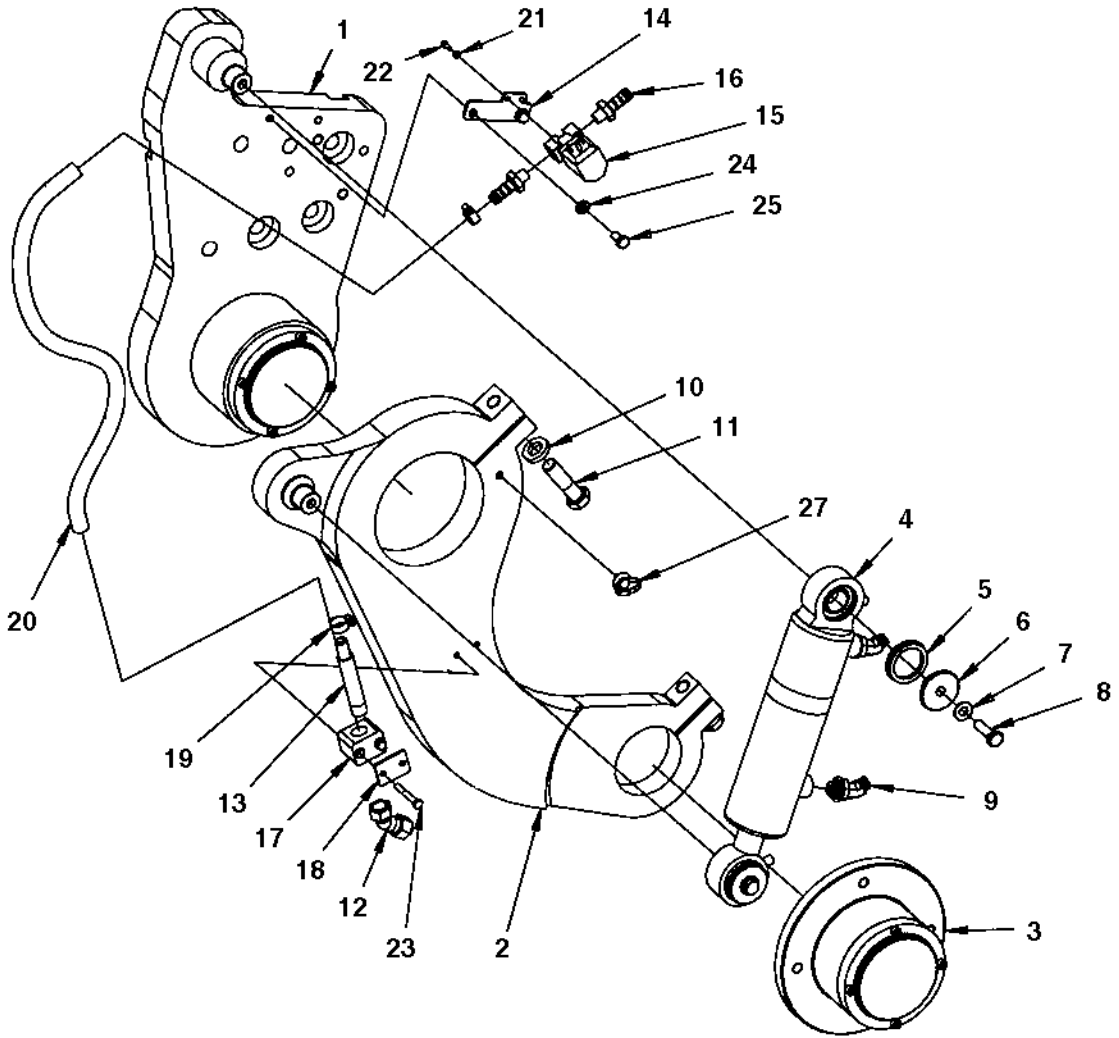


Edge cutter, module

Ref. No.	Part No.	Rem.	Qty	Description	Code
1	390998		1	Edge cutter, cpl (Page 446)	
2	904232		6	Washer	
3	500058		5	Screw	M16-2,0x65 8,8
4	500070		1	Screw	M16x50

390998 Edge cutter, cpl

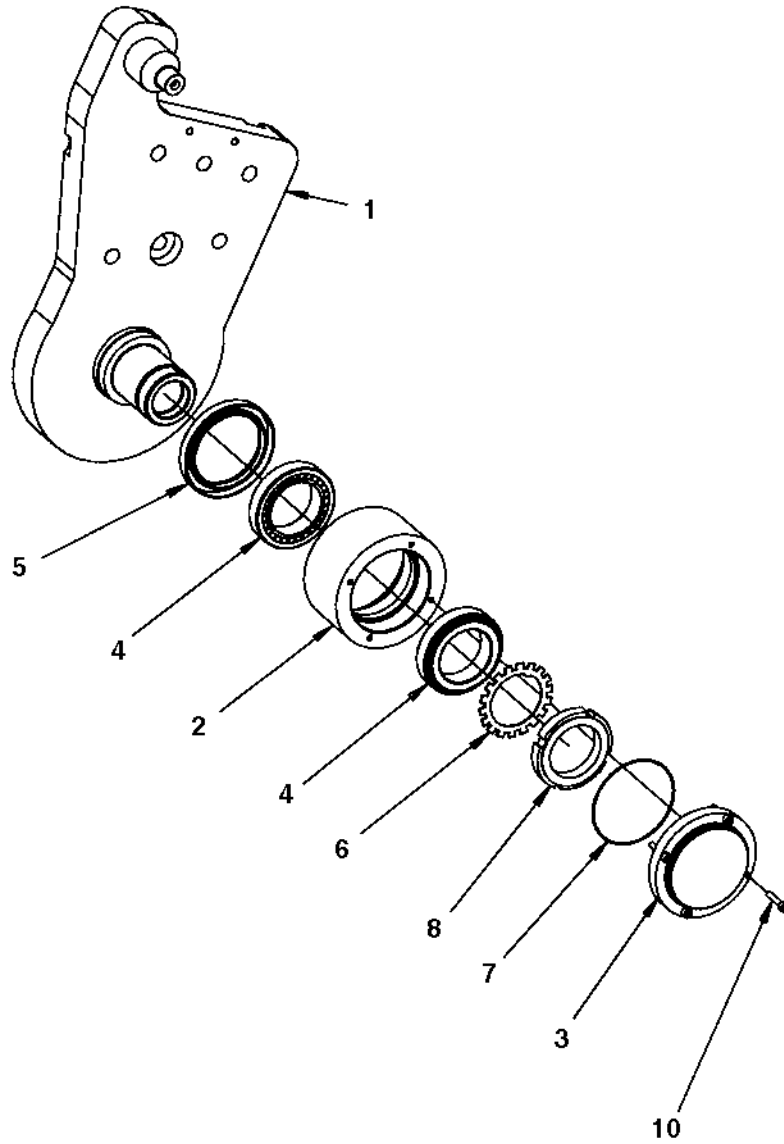
390998C



390998 Edge cutter, cpl

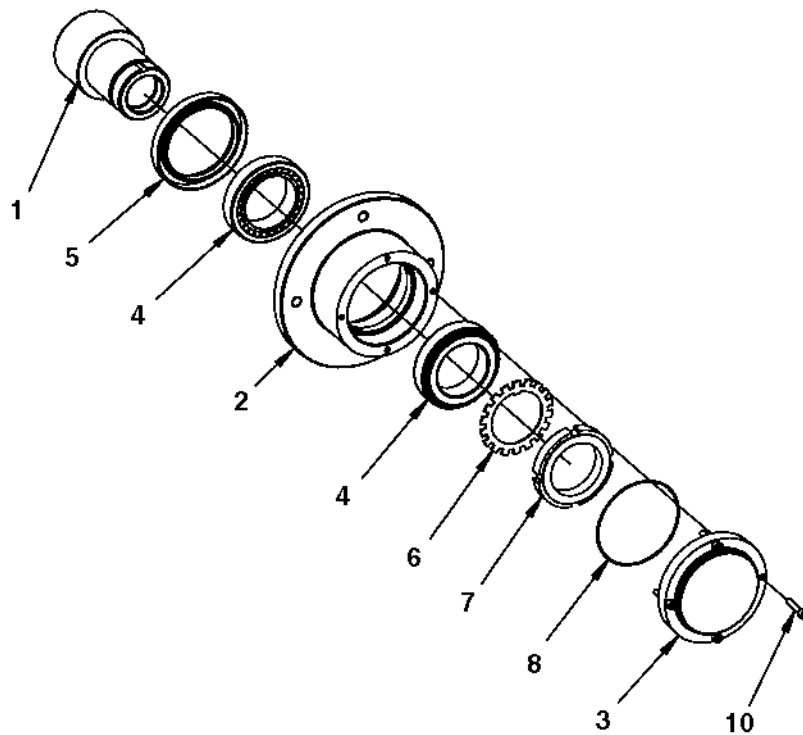
Ref. No.	Part No.	Rem.	Qty	Description	Code
1	390999		1	Holder (Page 448)	
2	391000		1	Lever	
3	391009		1	Bearing unit (Page 450)	
4	387275		1	Hydraulic cylinder (Page 452)	
	945526		2	.Bearing	
5	791565		2	Sealing	
6	376861		2	Washer	
7	904230		2	Washer	
8	947684		2	Screw	
9	792389		2	Elbow 45 orfs	
10	904558		2	Washer	
11	500134		2	Screw	
12	392123		1	Nozzle body	
13	392058		1	Pipe	
14	392059		1	Bracket	
15	391438		1	Solenoid valve	
16	901432		2	Hose connection	
17	791453		1	Pipe clamp block	
18	791454		1	Cover plate	
19	313001		2	Hose clamp	
20	904878	A	1XL	Hose reinforced	
21	904698		2	Washer	
22	925784		2	Screw	
23	500186		2	Screw	
24	904229		2	Washer	
25	500019		2	Screw	
27	792441		1	Cable tie with holder	

A) L= 0.53 m



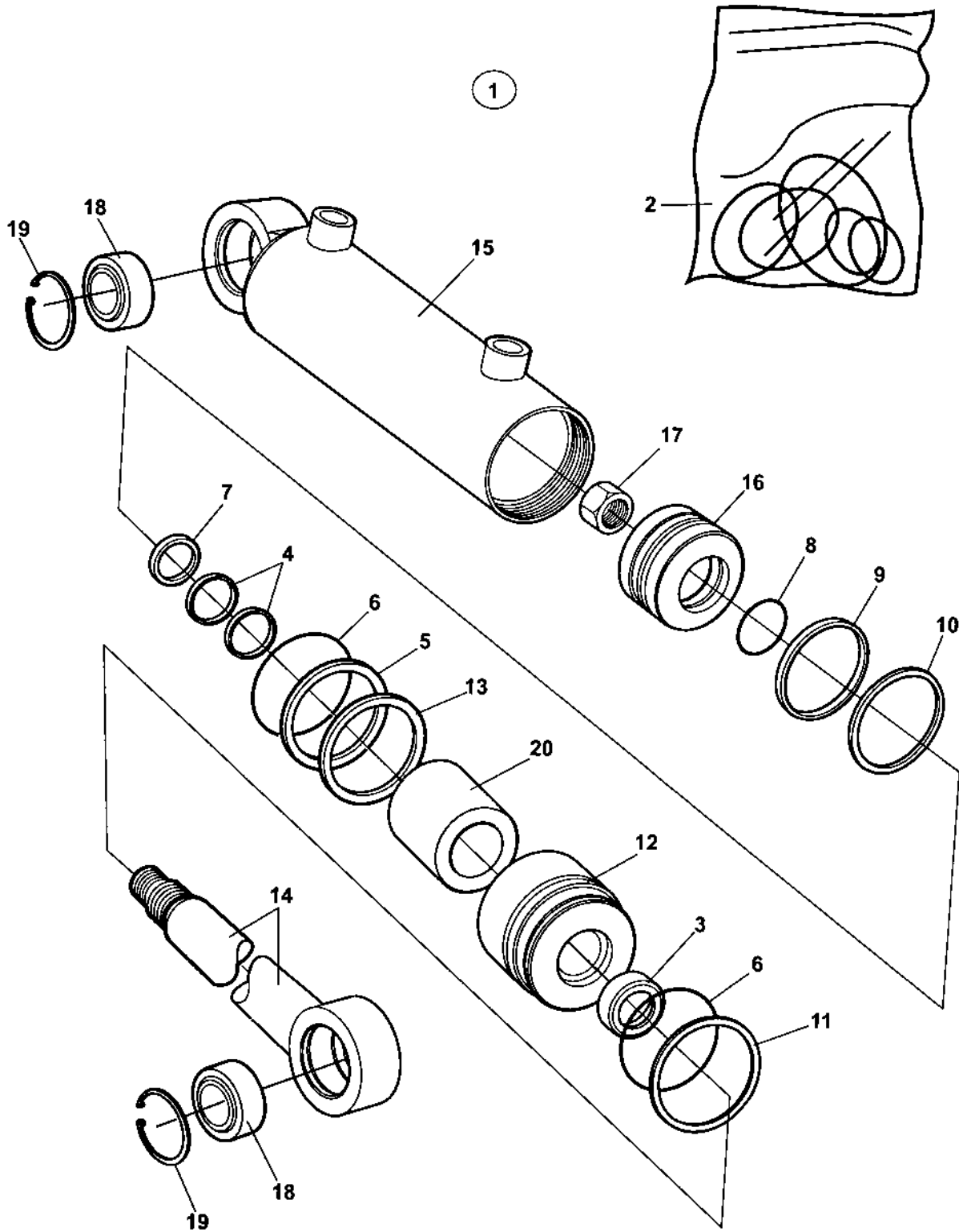
390999 Holder

Ref. No.	Part No.	Rem.	Qty	Description	Code
1	391001		1	Holder	
2	391008		1	Bearing housing	
3	391010		1	Bearing cover	
4	792385		2	Taper roller bearing	
5	792384		1	Radial lip-type seal	
6	136012		1	Lock washer	
7	900512		1	O-ring	D
8	135012		1	Shaft nut	
10	508018		4	Screw	



391009 Bearing unit

Ref. No.	Part No.	Rem.	Qty	Description	Code
1	391011		1	Shaft	
2	391012		1	Bearing housing	
3	391010		1	Bearing cover	
4	792385		2	Taper roller bearing	
5	792384		1	Radial lip-type seal	
6	136012		1	Lock washer	
7	135012		1	Shaft nut	
8	900512		1	O-ring	D
10	508018		4	Screw	



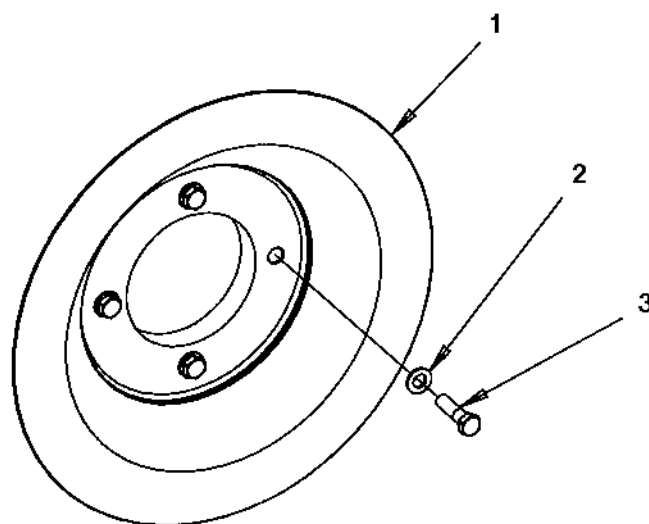
387275 Hydraulic cylinder

Ref. No.	Part No.	Rem.	Qty	Description	Code
1	387275		1	Hydraulic cylinder (Page 452)	
2			1	.Seal kit	
3			1	..Seal	
4			2	..Seal	
5			1	..Back-up ring	
6			2	..O-ring	
7			1	..Seal	
8			1	..O-ring	
9			1	..Seal	
10			1	..Seal	
11			1	.Retaining ring	
12			1	.Steering	
13			1	.Retaining ring	
14			1	.Piston rod	
15			1	.Cylinder	
16			1	.Piston block	
17			1	.Cylinder nut	
18	945526		1	.Bearing	
19			1	.Retaining ring	
20		A	1	.Spacer	

A) Not valid for this model

Pressing roller, module

391002

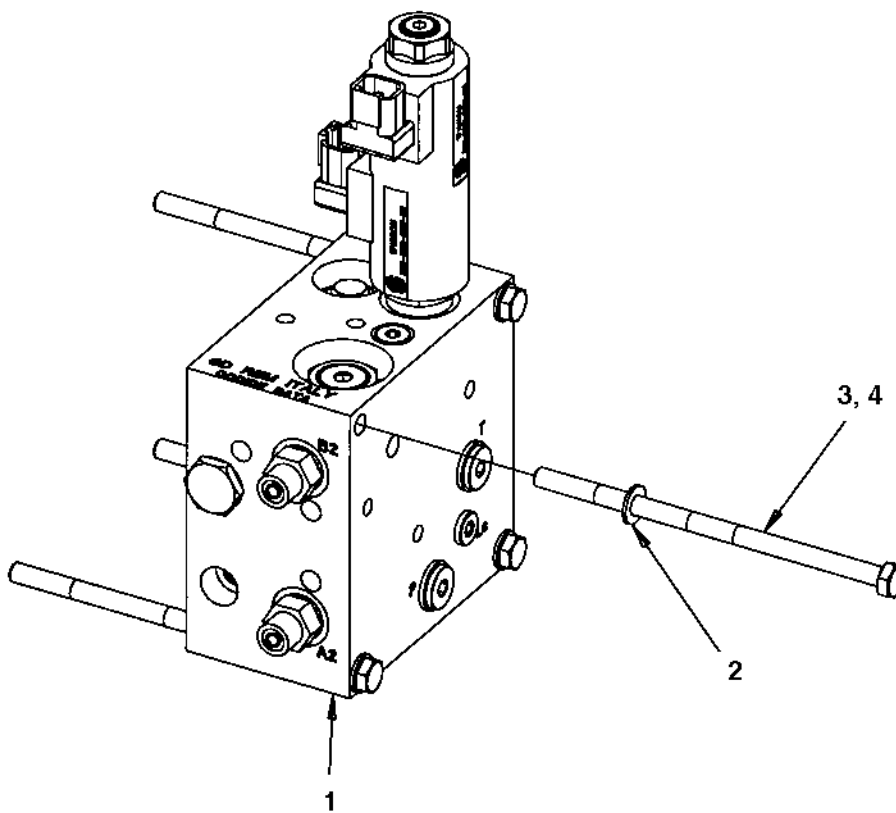


Pressing roller, module

Ref. No.	Part No.	Rem.	Qty	Description	Code
1	390808		1	Pressing roller	
2	904231		4	Washer	
3	500056		4	Screw	

Hydraulic valve, module

391577B



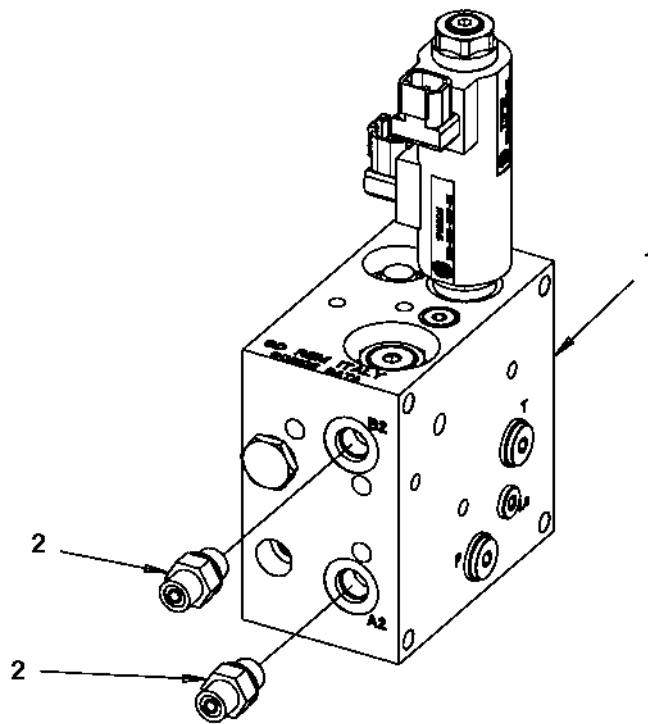
Hydraulic valve, module

Ref. No.	Part No.	Rem.	Qty	Description	Code
1			1	Hydraulic valve (Page 458)	
2	904229		4	Washer	
3	792359	1	4	Screw	M8x160 8.8
4	500115	2	4	Screw	M8-1,25x90 8.8

- 1) Used when option valve is mounted.
- 2) Used when mounted on base valve.

Hydraulic valve

391576



Hydraulic valve

Ref. No.	Part No.	Rem.	Qty	Description	Code
1	391018		1	Hydraulic valve	
2	791914		2	Straight connector orfs	

NUMERICAL INDEX

Part Number	Page	Part Number	Page	Part Number	Page
116041	19,175	358732	229	385599	405
135012	449,451	358881	53,93,95,407	386272	19,175
135015	39	359043	389,401	386966	191
136012	449,451	359125	389	387275	447,453
160045	17,165	359192	143	387545	407
160105	19,175	359819	389,401	387638	377
160227	169	359916	389	388449	415
160277	39	359919	389	388737	405
160279	175	359920	389	388846	55
160287	235	359955	161	390013	395
160313	83,89	359998	337	390018	183
160344	17,165,175	370155	235	390019	191
162004	209	370286	321,325	390020	191
162006	53	370745	27,33	390021	197
162011	183	372121	317	390022	197
162015	53,225	372424	233,237	390024	193
162017	161	372672	389	390058	103
162027	161,175	372718	27,33	390061	103
202028	53	372959	401	390072	153
202057	35,61,63	372960	401	390074	103
205112	183,377	372964	389	390076	103
232039	209	372965	389	390080	151,153
232056	53	373183	143	390155	321
232231	183	373304	27	390157	59,61
234365	377	373363	317	390158	59,63
238158	405	373399	317	390160	175
246069	215	376861	447	390166	61
272372	415	376922	243	390167	63
272373	415	377507	371	390169	395
287294	435	377508	371	390233	183
287295	435	377518	393	390239	397
287643	329	377677	385	390332	199
297018	427	377742	415	390365	61,63
313001	33,83,89,97,203	377743	415	390400	83,89
	215,447	377744	415	390428	399
313003	33,89	377913	329	390434	289,291
313004	183,193,377	378309	61,63	390435	295
313009	193	378310	59	390436	289,291,295
313010	193	379009	83,89	390463	145
313033	197	379624	183,189	390469	103,143
313041	235,281,297,397	379637	385	390470	103,143
	435	379650	175	390533	39
313068	427	379652	165	390534	39
313094	201	379715	401	390538	39
313102	33,97,305,427	379718	389	390539	39
313105	197	379728	389	390541	39
335607	183,253	379729	399	390542	39
335914	27,221	379749	161	390543	39
340862	175	379974	59	390545	61,63
343732	221	379976	61	390561	393
343744	161	379977	63	390602	243,245
343872	27,221	379987	143	390603	169
344196	161	379992	59,379	390604	169,171
345666	181,241	381027	175	390607	71
347512	337	381934	325	390608	71
349210	221	381935	321,325	390609	71
349715	175	381936	321,325	390613	43
350009	389	382751	415	390615	129
355797	303	383626	35	390616	129
357459	59	383705	373	390618	183
357587	415	384584	373	390619	129
358254	373	384855	337	390627	209

NUMERICAL INDEX

Part Number	Page	Part Number	Page	Part Number	Page
390629	67	391297	67	392059	447
390630	205	391298	53	392060	443
390640	53	391299	53	392112	143
390652	151	391300	53	392123	447
390716	267	391303	183	392152	285
390780	53	391307	33,35	392153	299
390808	455	391308	35	392154	285
390811	195	391353	33	392155	285
390820	195	391358	183	392156	259
390826	271,275	391369	73	392158	307
390830	197	391370	73	392221	267
390831	183,187	391371	73	392223	33
390832	183,185	391375	53	392227	33,97
390860	265	391376	53	392228	97
390861	405	391396	405	392229	97
390862	287	391420	405	392288	53
390864	337,339	391421	405	392291	157
390866	317	391430	143	392321	307
390884	59	391433	7,11,59	392364	175
390897	175	391434	53	392450	297
390902	201	391438	447	392451	297
390903	201	391441	59	392509	129
390919	109	391442	27	392534	243
390934	27	391443	27	392550	39
390963	393	391444	43	392622	105
390994	11,195	391478	401	392701	27
390995	11,195	391481	143	392717	411
390998	445,447	391495	83,85,89	392719	411
390999	447,449	391566	39	392748	175
391000	447	391579	405	392758	233
391001	449	391580	267	392799	59
391008	449	391583	267	392839	389
391009	447,451	391584	253	392840	389
391010	449,451	391585	257	392930	405
391011	451	391621	421	392965	397
391012	451	391622	421	393001	53
391016	229	391624	33	393009	105,107
391017	249	391626	43	393010	105,107
391018	459	391647	45	393029	213
391020	183	391648	45	393031	405
391023	27,29	391674	327,333	393094	411
391024	143,149	391675	327	393115	39
391025	59	391676	327	393149	53
391026	11,53	391678	327	393191	399
391029	165	391724	169	393218	39
391031	39	391750	55	393222	423
391082	399	391754	105,107	393223	423
391083	399	391768	59	393235	211
391106	161	391769	59	393250	361
391109	161	391770	389	393251	361
391115	289,291,295	391857	93	393252	361
391157	59	391858	93	393253	361
391163	389,391	391889	145	393254	361
391165	181,241	391919	379	393281	53
391192	231	391955	267	393345	143
391198	107	391957	305	393347	401
391213	265	391958	261	393364	225
391240	411	391974	143	393412	33
391241	397	392011	129	393418	431
391263	191	392033	309	393429	103
391269	257	392048	243	393464	39
391296	53	392058	447	393465	39

NUMERICAL INDEX

Part Number	Page	Part Number	Page	Part Number	Page
393496	397	394570	75	395810	347
393497	397	394571	75	395811	347
393523	39	394572	75	395813	349
393525	317,337	394573	75	395814	349
393538	311	394575	75	395815	351
393542	33	394587	95	395816	353
393550	133	394590	95	395817	357
393582	337	394591	95	395818	369
393584	427,429	394654	383	395819	369
393590	307	394696	283	395820	369
393592	183	394701	59	395825	339
393594	433	394705	437	395828	369
393595	437	394706	437	395829	339,365
393596	433	394707	435	395830	339
393597	433	394715	27	395831	365
393598	437	394787	103	395832	365
393624	243	394806	131	395833	359
393625	241	394859	329	395834	359
393634	361	394911	49	395835	359
393635	361	394920	431	395836	359
393636	361	394931	281	395837	359
393637	361	395023	281	395838	359
393639	335	395065	377	395839	359
393640	333	395113	125	395840	339
393641	333	395114	15,125	395841	371
393642	333	395128	27	395842	371
393645	333	395131	33	395853	371
393646	333	395156	431	395855	343
393681	307	395226	277	395856	355
393697	129	395352	427	395857	363
393765	83,89	395383	389	395859	339
393776	279	395390	135	395915	175
393959	415	395428	111,113	395947	407
393978	317,399	395429	111	396179	147
394000	53	395430	113	396257	261
394022	33,59	395447	389	396259	267
394068	117	395694	143	396260	267
394070	117,121	395696	147	396261	267
394139	333	395756	367	396496	33
394140	333	395757	367	396661	405
394155	211,213	395758	367	396662	405
394169	183	395759	367	396670	407
394207	39	395761	369	396672	83,89
394229	213	395762	369	396673	89
394250	21,169	395774	369	396739	33
394251	21,175	395775	369	397270	241
394267	193	395783	363	450163	329
394297	53	395784	363	475064	115,119
394322	183	395785	363,405	476019	157
394340	99,131,137	395786	363	480446	237
394351	117,121	395787	345	480447	237
394400	27,53	395790	361	480449	237
394413	121	395792	345	480450	237
394459	53	395793	351	480456	237
394513	53	395794	351	480468	237
394514	59	395795	351	480852	33
394529	53	395796	347	483486	221
394536	55	395798	353	483726	239
394545	77	395799	353	483729	239
394567	75	395800	353	484006	235
394568	75	395803	361	484007	235
394569	75	395806	357,359	484014	223

NUMERICAL INDEX

Part Number	Page	Part Number	Page	Part Number	Page
484015	223	500028	53,59,165,307	508020	53
484016	223	500029	389	508021	347
484017	223	500030	101,103,139,181	508022	405
484018	223		243	508025	319,323
484019	223	500031	125,141	508048	183
484020	223	500032	27	508080	183
484021	223	500035	183,253	508092	395
484022	223	500040	59,147,155,157	508096	183
484023	223		257,397	509025	183
484024	225	500042	275	513003	399
484025	225	500043	59,253	513011	115,119
484026	225	500046	175	516051	389
484027	225	500047	41,133,319,323	526010	405
484028	239		401	533050	147
484029	239	500048	227,345,431	535017	301
484030	239	500049	103,175,183	541527	405
484031	239	500051	27,167	570004	257,405
484032	239	500053	33,53,59,69,83	570005	27,33,59,195,253
484033	239		85,89,231,269		261,305,357,399
484034	239		273,367,379,393		401
484035	239		397,401,423	570006	59,131,389
484036	239	500056	183,317,455	570007	47
484037	239	500057	169	570103	221
484038	239	500058	445	573008	389
484039	239	500059	53,61,63	586001	257,405,407
484040	239	500060	257,405	586002	33,59,61,63,157
484043	239	500070	163,173,445		257,261,265,319
484075	219	500090	83,89,435		323,389,397,405
484076	219	500091	123,127		411
484077	219	500092	59	586003	27,43,59,83,89
484078	219	500096	421		133,135,199,319
484079	219	500107	181,241		323,327,331,333
484080	219	500115	247,409,457		335,347,357,389
484081	219	500130	101,139		409
484085	221	500133	45	586018	123,125,127,309
484103	443	500134	153,447		311,395
484104	443	500143	333	586019	131
484161	239	500153	329	601003	331,333
484237	221	500154	343	603001	33,53,143,147
484238	221	500161	101,139,141,395		389
484239	221	500163	161	603009	343
484240	221	500175	143	606009	223
484241	221	500186	447	615050	33,59
484271	175	500187	287	624005	415
499174	321,325	500189	327	624018	55
500012	33,39,271	500190	327,331,333	624021	53,55
500013	145,265,351	500194	31,57	629008	95
500015	265	500195	27,53,57,175,337	630008	389,401
500016	71	500197	183	630012	117,121
500018	279,321,325,337	500198	131	635057	229
	341,357	500206	107	635061	29,149
500019	59,81,87,161,255	500207	103	791082	131
	263,329,447	500228	317	791120	53,209
500020	399,401	500239	335	791172	101,139,141
500021	53,59,65,183,205	500267	103	791182	85
	207,319,323,343	500269	105	791185	265,353
	389	500270	241	791211	353
500022	33,49,59,71,77	500287	37	791231	59
	377	500297	141	791277	415
500023	43,141,195	500505	403	791278	415
500024	143	502035	401	791279	415
500025	101,139	508018	449,451	791304	399

NUMERICAL INDEX

Part Number	Page	Part Number	Page	Part Number	Page
791314	27	792210	281,285	792453	223
791321	67	792219	243	792454	223
791397	239	792258	59	792465	243
791401	169,229	792270	17,165,175	792492	53
791405	53	792276	53	792501	395
791409	145,229	792295	39,145	792502	183
791453	447	792296	145	792504	353
791454	447	792309	257,265,353	792505	353
791479	257	792310	257	792506	169
791524	389	792311	59	792507	169
791538	243	792322	209	792515	39
791539	145	792323	209	792517	39
791551	265	792325	39,59,61,63,379	792518	39
791565	447	792326	53	792519	295
791568	83,89	792327	253	792520	295
791569	59	792328	253	792521	289,291
791572	47,395	792331	169,243	792522	203
791582	405	792332	71	792526	203
791588	353,405	792333	243	792527	395
791597	265	792334	59,235	792533	239
791634	243	792336	243	792534	101,139
791635	243	792337	143	792536	373
791642	195,415	792338	53	792537	299
791698	183,243	792339	67	792539	389
791709	403	792340	239	792540	135
791711	59	792342	231	792554	27,39
791712	59	792343	231	792574	415
791723	405	792344	223	792583	383
791733	405	792350	289,291	792589	373,407
791739	405	792352	309	792600	33
791743	145,229	792353	289,291	792601	115,119
791744	229	792354	293,303	792602	261
791745	235,243	792359	457	792603	183
791754	295	792361	289,291,295	792605	27
791797	27	792362	145	792607	53
791798	223,243	792363	261	792609	297
791799	59,145,175,229	792364	253	792632	223
		792384	449,451	792649	243
791823	59,229	792385	449,451	792667	281
791824	243	792386	83,89	792669	61,63,73
791831	243	792389	447	792678	389
791840	59	792392	379	792684	253
791844	59	792394	39	792686	431,435
791846	249	792395	443	792695	203
791853	243	792396	443	792715	353
791861	59	792397	305	792718	61,63
791914	459	792398	299	792726	111,113
791949	83,89	792410	307	792731	267
791950	83,89	792414	405	792746	175
791951	289	792417	261,307	792772	415
791956	295	792418	183,261	792777	83,89
791959	83,89	792419	261,307	792778	89
791968	381	792421	53	792779	33
791977	129	792422	285	792780	33
792035	303	792441	83,89,239,261	792781	33
792059	291		265,299,401,447	792782	33
792065	377	792442	261	792790	223
792072	129	792447	321,325	813429	183
792073	33,89	792448	321,325	813434	377
792151	27,169,243	792449	327	900497	407
792157	243	792451	223	900512	449,451
792187	439	792452	223	900672	33,59

NUMERICAL INDEX

Part Number	Page	Part Number	Page	Part Number	Page
900775	165,175	904228	271,287,319,323	904951	145
901141	377		329,351,397,405	904956	109
901145	317,337		411	904984	203
901157	243	904229	33,43,53,59,81	905306	347
901178	27		83,85,87,89,91	908229	415
901225	265		109,133,135,161	908284	357
901227	265,283,353		183,195,231,247	908500	353
901228	353		253,261,263,269	908505	345
901432	447		273,275,279,289	908506	345
901767	265		291,295,305,307	908507	345
902064	293		319,323,329,347	908561	347,349
902166	55,61,63		377,387,389,393	908563	351
902285	329		397,399,401,409	908564	351
902286	53,307,329,393		421,423,435,447	909211	237
902295	239		457	910162	229
902297	151	904230	27,53,59,101,125	911620	237
902520	389		139,141,165,227	920819	43
902804	405		307,309,395,447	921031	261
902861	237	904231	27,39,45,47,57	921077	297
902862	237		103,105,115,119	923253	293
902866	27,35,61,63,359		131,143,161,167	923405	243
903082	221,239		169,175,183,455	924791	329
903422	415	904232	151,153,163,169	924875	61,63
903423	415		173,445	924999	27
903424	415	904233	37,103,107,317	925519	169
903425	415		337	925599	53
903456	59	904234	101,139,141	925750	27
903457	237	904241	333	925784	447
903459	415	904281	53,257,405,407	926214	143,389
903590	345	904292	225	926216	327
903633	337	904330	151	926736	175
903640	257	904340	329	927233	115,119
903641	257	904556	83,89,255,319	927637	341
903662	409		323,335,337,399	928381	27
903714	213	904557	103,123,127,141	928467	265
903726	175		181,243,311,389	928784	33,59
903735	143		401,431	929012	237
903741	265	904558	241,447	929013	237
903768	59	904584	229	929014	237
903773	235	904601	415	929447	19,175
903795	27	904619	407	929455	303
903831	143	904629	221	930046	147
903898	47	904637	59,183,253	935428	237
903917	389	904638	253,395	935429	237
903918	389	904640	27,33,49,53,59	936277	357
903953	61,63		65,69,71,77,101	937165	381
904008	223		139,141,143,199	937620	395
904009	223		205,207,307,321	937621	395
904010	223		325,327,379,389	937892	395
904036	257		423	938256	349
904037	261	904654	329	938605	425
904039	253,259	904697	55,147	938606	425
904044	53	904698	447	938609	369,425
904083	415	904703	27,53,183	938622	371
904092	415	904728	53	938624	441
904094	415	904734	41,43,133,195	938789	425
904131	317	904735	59,61,63,71,155	938874	367
904165	415		301	938891	13,19
904206	27,33,143,397	904835	415	940451	405
904213	31,57,175	904870	415	945145	7,9,11,185,187
904228	33,39,61,63,145	904878	33,83,89,97,447		189
	157,257,261,265	904911	271	945147	7,9,11,185,187

NUMERICAL INDEX

Part Number	Page	Part Number	Page	Part Number	Page
945147	189	950526	171		
945314	421	950527	171		
945526	447,453	950528	171		
945622	393	950529	171		
945624	7,9,11,185,187	950531	171		
	189	950532	171		
945626	185,187,189	950533	171		
945632	391	950534	171		
945633	391	991657	415		
945634	391	991658	415		
945635	391	999014	275		
945636	391				
945637	391				
945661	393				
945760	11,185,187,189				
945767	185,187,189				
945768	185,187,189				
945769	185,187,189				
945770	185,187,189				
945771	185,187,189				
945772	185,187,189				
945773	185,187,189				
945774	185,187,189				
945805	5,7				
945806	5,9				
945807	5,11				
945887	185,187,189				
945897	349				
945903	13,17				
945904	13,21				
947679	387				
947684	447				
947712	143				
950151	13,15				
950222	29,149				
950310	429				
950342	429				
950343	429				
950344	429				
950345	429				
950346	429				
950347	429				
950348	429				
950349	429				
950350	429				
950369	441				
950370	441				
950371	441				
950372	425				
950373	425				
950374	425				
950375	425				
950380	429				
950417	29,149				
950492	171				
950495	171				
950520	171				
950521	171				
950522	171				
950523	171				
950524	171				
950525	171				