

IMPORTANT SAFETY NOTICE

Proper service and repair is important to the safe, reliable operation of all motor vehicles. The service procedures recommended by Detroit Diesel Allison and described in this service manual are effective methods for performing service operations. Some of these service operations require the use of tools specially designed for the purpose. The special tools should be used when and as recommended.

It is important to note that some warnings against the use of specific service methods that can damage the vehicle or render it unsafe are stated in this service manual. It is also important to understand these warnings are not exhaustive. Detroit Diesel Allison could not possibly know, evaluate and advise the service trade of all conceivable ways in which service might be done or of the possible hazardous consequences of each way. Consequently, Detroit Diesel Allison has not undertaken any such broad evaluation. Accordingly, anyone who uses a service procedure or tool which is not recommended by Detroit Diesel Allison must first satisfy himself thoroughly that neither his safety nor vehicle safety will be jeopardized by the service method he selects.



Service Manual

Detroit Diesel Engines

SERIES 92



Detroit Diesel Allison
Division of General Motors Corporation
Detroit, Michigan 48228

NOTE:

Additional copies of this service manual may be purchased from Detroit Diesel Allison Distributors. See your yellow pages—under Engines, Diesel.

Service
Manual

FOREWORD

This manual contains instructions on the overhaul, maintenance and operation of the basic V-92 Detroit Diesel Engines.

Full benefit of the long life and dependability built into these engines can be realized through proper operation and maintenance. Of equal importance is the use of proper procedures during engine overhaul.

Personnel responsible for engine operation and maintenance should study the sections of the manual pertaining to their particular duties. Similarly, before beginning a repair or overhaul job, the serviceman should read the manual carefully to familiarize himself with the parts or sub-assemblies of the engine with which he will be concerned.

The information, specifications and illustrations in this publication are based on the information in effect at the time of approval for printing. This publication is revised and reprinted periodically. It is recommended that users contact an authorized *Detroit Diesel Allison Service Outlet* for information on the latest revisions. The right is reserved to make changes at any time without obligation.



TABLE OF CONTENTS

SUBJECT	SECTION
GENERAL INFORMATION	
ENGINE (less major assemblies)	1
FUEL SYSTEM AND GOVERNORS	2
AIR INTAKE SYSTEM	3
LUBRICATION SYSTEM	4
COOLING SYSTEM	5
EXHAUST SYSTEM	6
ELECTRICAL EQUIPMENT, INSTRUMENTS AND PROTECTIVE SYSTEMS	7
POWER TAKE-OFF AND TORQMATIC CONVERTER	8
TRANSMISSIONS	9
SPECIAL EQUIPMENT	12
OPERATION	13
TUNE-UP	14
PREVENTIVE MAINTENANCE, TROUBLE SHOOTING AND STORAGE	15

SCOPE AND USE OF THE MANUAL

This manual covers the basic V-92 diesel engines built by the Detroit Diesel Allison Division of General Motors Corporation. Complete instructions on operation, adjustment (tune-up), preventive maintenance and lubrication, and repair (including complete overhaul) are covered. The manual was written primarily for persons servicing and overhauling the engine and, in addition, contains all of the instructions essential to the operators and users. Basic maintenance and overhaul procedures are common to all V-92 engines and therefore apply to all engine models.

The manual is divided into numbered sections. The first section covers the engine (less major assemblies). The following sections cover a complete system such as the fuel system, lubrication system or air system. Each section is divided into sub-sections which contain complete maintenance and operating instructions for a specific sub-assembly on the engine. For example, Section 1, which covers the basic engine, contains sub-section 1.1 pertaining to the cylinder block, sub-section 1.2 covering the cylinder head, etc. The subjects and sections are listed in the Table of Contents on the preceding page. Pages are numbered consecutively, starting with a new Page 1 at the beginning of each sub-section. The illustrations are also numbered consecutively, beginning with a new Figure 1 at the start of each sub-section.

Information regarding a general subject, such as the lubrication system, can best be located by using the Table of Contents. Opposite each subject in the Table of Contents is a section number which registers with a tab printed on the first page of each section throughout the manual. Information on a specific sub-assembly or accessory can then be found by consulting the list of contents on the first page of the section. For example, the cylinder liner is part of the basic engine, therefore, it will be found in Section 1. Looking down the list of contents on the first page of Section 1, the cylinder liner is found to be in sub-section 1.6.3. An Alphabetical Index at the back of the manual has been provided as an additional aid for locating information.

SERVICE PARTS AVAILABILITY

Genuine Detroit Diesel Allison service parts are available in the United States from authorized distributors and service dealers totalling over 2300 outlets, in Canada from the distributor organization of Diesel Division, GM of Canada Ltd. and abroad through the sales and service outlets of Detroit Diesel Allison International.

CLEARANCES AND TORQUE SPECIFICATIONS

Clearances of new parts and wear limits on used parts are listed in tabular form at the end of each section throughout the manual. It should be specifically noted that the "New Parts" clearances apply only when all new parts are used at the point where the various specifications apply. This also applies to references within the text of the manual. The column entitled "Limits" lists the amount of wear or increase in clearance which can be tolerated in used engine parts and still assure satisfactory performance. It should be emphasized that the figures given as "Limits" must be qualified by the judgment of personnel responsible for installing new parts. These wear limits are, in general, listed only for the parts more frequently replaced in engine overhaul work. For additional information, refer to the paragraph entitled *Inspection* under *General Procedures* in this section.

Bolt, nut and stud torque specifications are also listed in tabular form at the end of each section.

PRINCIPLES OF OPERATION

The diesel engine is an internal combustion power unit, in which the heat of fuel is converted into work in the cylinder of the engine.

In the diesel engine, air alone is compressed in the cylinder; then, after the air has been compressed, a charge of fuel is sprayed into the cylinder and ignition is accomplished by the heat of compression.

The Two-Cycle Principle

In the two-cycle engine, intake and exhaust take place during part of the compression and power strokes respectively as shown in Fig. 1. In contrast, a four-cycle engine requires four piston strokes to complete an operating cycle; thus, during one half of its operation, the four-cycle engine functions merely as an air pump.

A blower is provided to force air into the cylinders for expelling the exhaust gases and to supply the cylinders with fresh air for combustion. The cylinder wall contains a row of ports which are above the piston when it is at the bottom of its stroke. These ports admit the air from the blower into the cylinder as soon as the rim of the piston uncovers the ports as shown in Fig. 1 (scavenging).

The unidirectional flow of air toward the exhaust valves produces a scavenging effect, leaving the cylinders full of clean air when the piston again covers the inlet ports.

As the piston continues on the upward stroke, the exhaust valves close and the charge of fresh air is subjected to compression as shown in Fig. 1 (compression).

Shortly before the piston reaches its highest position, the required amount of fuel is sprayed into the combustion chamber by the unit fuel injector as shown in Fig. 1 (power). The intense heat generated during the high compression of the air ignites the fine fuel spray immediately. The combustion continues until the fuel injected has been burned.

The resulting pressure forces the piston downward on its power stroke. The exhaust valves are again opened when the piston is about half way down, allowing the burned gases to escape into the exhaust manifold as shown in Fig. 1 (exhaust). Shortly thereafter, the downward moving piston uncovers the inlet ports and the cylinder is again swept with clean scavenging air. This entire combustion cycle is completed in each cylinder for each revolution of the crankshaft, or, in other words, in two strokes; hence, it is a "two-stroke cycle".

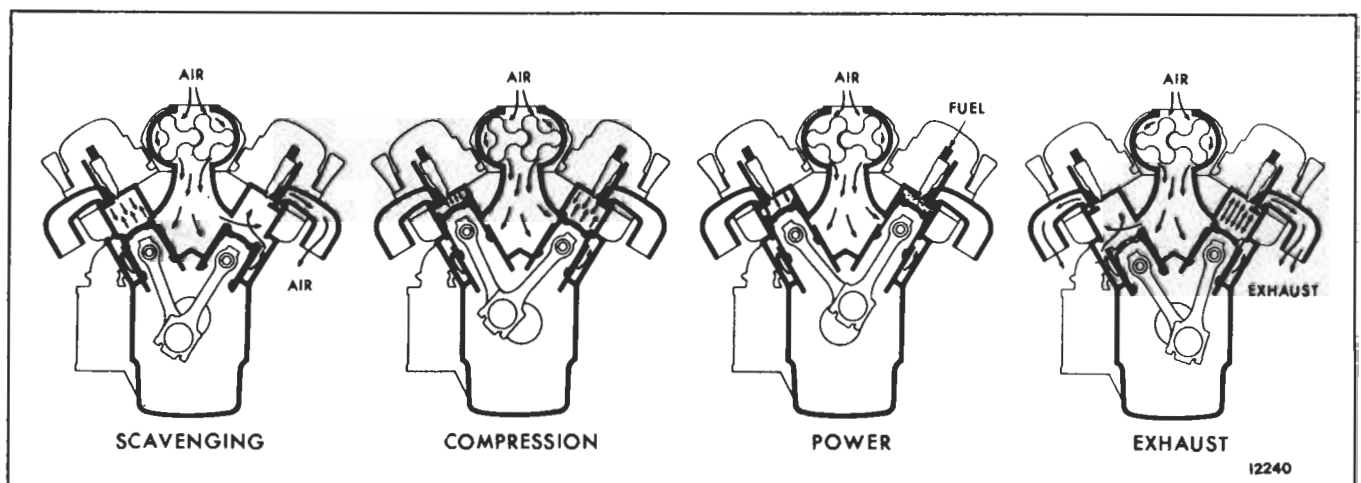


Fig. 1 - The Two-Stroke Cycle

GENERAL DESCRIPTION

The two-cycle diesel engines covered in this manual are produced in 6, 8 and 16 cylinder models having the same bore and stroke and many of the major working parts such as injectors, pistons, connecting rods, cylinder liners and other parts that are interchangeable.

The engines are built with right-hand or left-hand crankshaft rotation (Fig. 2). The oil cooler can be mounted only on the right side of the engine. On 6 and 8V engines the starter can be mounted on either the right or left side of the engine. The 16V engines have a starter on both the right and left side of the engine.

The meaning of each digit in the model numbering system is shown in Fig. 2. The letter L or R indicates left or right-hand engine rotation as viewed from the front of the engine. The letter A, B, C or D designates the location of the starter and oil cooler as viewed from the rear of the engine.

Each engine is equipped with oil coolers, lubricating oil filters, fuel oil strainer, fuel oil filter, air cleaners, governor, heat exchanger and raw water pump or fan and radiator, and starting motor.

Full pressure lubrication is supplied to all main, connecting rod and camshaft bearings, and to other moving parts within the engine. A gear-type pump draws oil from the oil pan through an intake screen, through the oil filter and then to the oil cooler. From the oil cooler, the oil flows through passages that connect with the oil galleries in the cylinder block and

cylinder heads for distribution to the bearings, rocker arm mechanism and other functional parts.

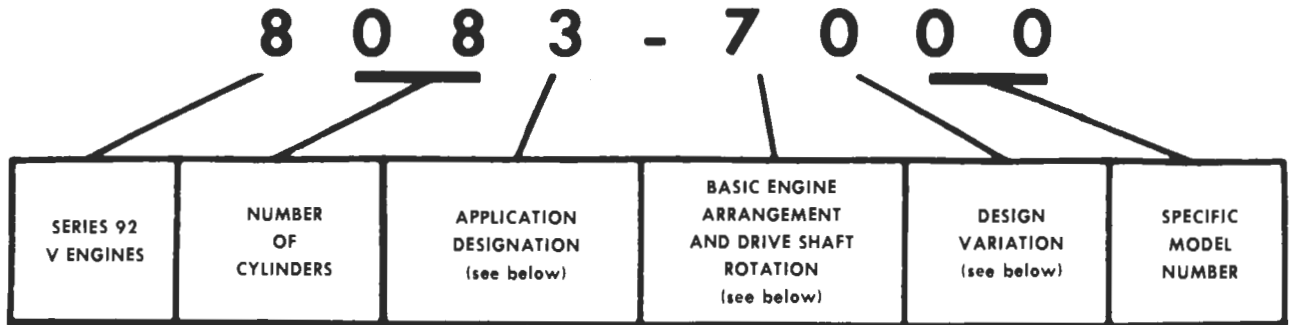
Coolant is circulated through the engine by a centrifugal-type water pump. Heat is removed from the coolant, which circulates in a closed system, by the radiator or heat exchanger. Control of the engine temperature is accomplished by thermostats which regulate the flow of the coolant within the cooling system.

Fuel is drawn from the supply tank through the fuel strainer by a gear-type fuel pump. It is then forced through a filter and into the fuel inlet manifolds in the cylinder heads and to the injectors. Excess fuel is returned to the supply tank through the fuel outlet manifolds and connecting lines. Since the fuel is constantly circulating through the injectors, it serves to cool the injectors and also carries off any air in the fuel system.

Air for scavenging and combustion is supplied by a blower which pumps air into the engine cylinders via the air box and cylinder liner ports. All air entering the blower first passes through an air cleaner.

Engine starting is provided by a electric starting system. The electric starting motor is energized by a storage battery. A battery-charging generator, with a suitable voltage regulator, serves to keep the battery charged.

Engine speed is regulated by a mechanical or hydraulic type engine governor, depending upon the engine application.



APPLICATION DESIGNATIONS:

8082-7000	MARINE
8083-7000	INDUSTRIAL F-F
8085-7000	GENERATOR
8087-7000	VEHICLE F-F
8088-7000	VEHICLE F-F

DESIGN VARIATIONS:

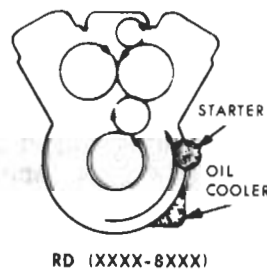
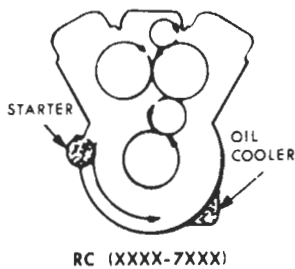
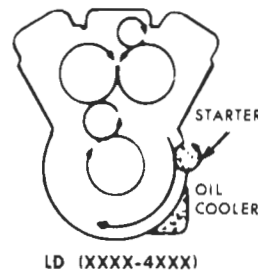
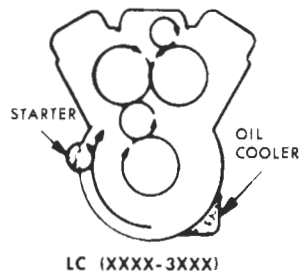
8083-7000	4 VALVE HEAD ENGINE
8083-7300	TURBOCHARGED ENGINE
8083-7400	AFTERCOOLED ENGINE
8083-7500	CUSTOMER SPECIAL ENGINE
8087-7700	CONSTANT HORSEPOWER (TT)
8087-7800	CONSTANT HORSEPOWER (TTA) (CALIFORNIA AND FEDERAL CERTIFIED)

BASIC ENGINE ARRANGEMENTS:

Rotation: L (left) and R (right) designates rotation viewed from the front of the engine.

Type: A-B-C-D designates location of starter and oil cooler as viewed from the rear (flywheel) end.

Cylinder Bank: Left and right cylinder banks are determined from rear of engine.



ALL ABOVE VIEWS FROM REAR OF ENGINE

L-11472

Fig. 2 - Model Numbering, Rotation and Accessory Arrangements

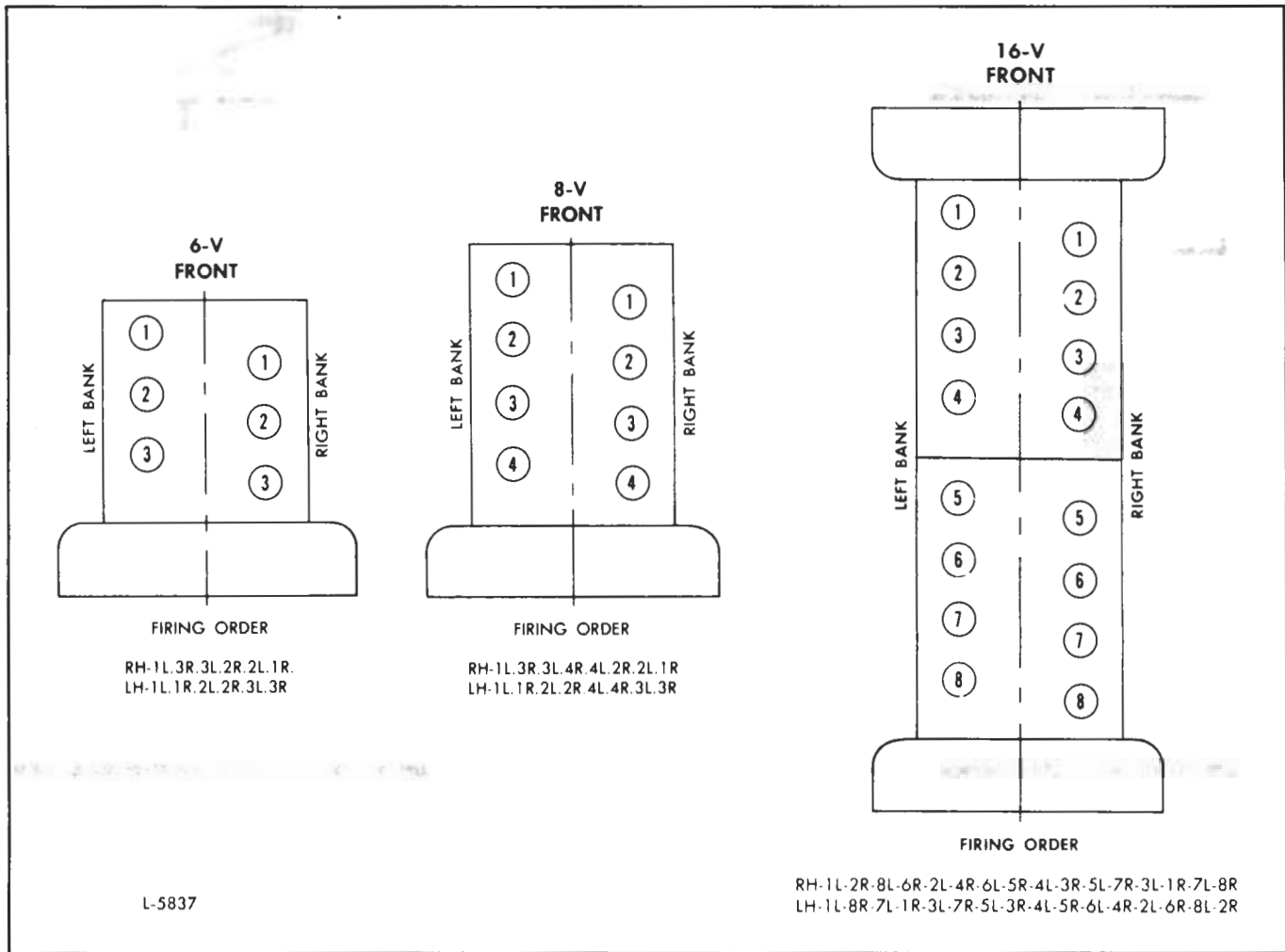


Fig. 3 - V-92 Engine Cylinder Designation and Firing Order

GENERAL SPECIFICATIONS

	6V	8V	16V
Type	2 Cycle	2 Cycle	2 Cycle
Number of Cylinders	6	8	16
Bore (inches)	4.84	4.84	4.84
Bore (mm)	123	123	123
Stroke (inches)	5	5	5
Stroke (mm)	127	127	127
Compression Ratio (Nominal) (Turbocharged Engines) ...	17 to 1	17 to 1	17 to 1
Compression Ratio (Nominal) (Naturally Aspirated Engines)	19 to 1	19 to 1	19 to 1
Total Displacement - cubic inches	552	736	1472
Total Displacement - litres	9.05	12.07	24.14
Number of Main Bearings	4	5	10

ENGINE MODEL, SERIAL NUMBER AND OPTION PLATE

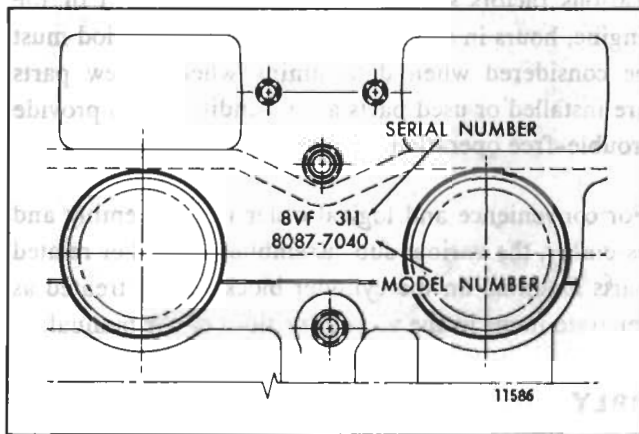


Fig. 4 - Typical Engine Serial Number and Model Number As Stamped on Cylinder Block

The engine serial number and the engine model number are stamped on the right rear side of the cylinder block (Fig. 4).

An option plate, attached to one of the valve rocker covers, carries the engine serial number and model number and, in addition, lists any optional equipment used on the engine (Fig. 5).

On-highway vehicle engines also carry an exhaust emission certification label next to the option plate. It is separate from the option plate and is mounted permanently in the option plate retainer. The current label includes information relating to an engine family for the maximum fuel injector size and maximum speed.



Fig. 5 - Option Plate

Due to Federal regulations, the exhaust emission plate should not be removed from the rocker cover. Refer to Section 14 for further information regarding emission regulations.

With any order for parts, the engine model number and serial number must be given. In addition, if a type number is shown on the option plate covering the equipment required, this number should also be included on the parts order.

All groups of parts used on a unit are standard for the engine model unless otherwise listed on the option plate.

Power take-off assemblies, torque converters, marine gears, etc. may also carry name plates. The information on these name plates is also useful when ordering replacement parts for these assemblies.

GENERAL PROCEDURES

In many cases, a serviceman is justified in replacing parts with new material rather than attempting repair. However, there are times where a slight amount of reworking or reconditioning may save a customer considerable added expense. Crankshafts, cylinder liners and other parts are in this category. For example, if a cylinder liner is only slightly worn and within usable limits, a honing operation to remove the glaze may make it suitable for reuse, thereby saving the expense of a new part. Exchange assemblies such as injectors, fuel pumps, water pumps and blowers are also desirable service items.

Various factors such as the type of operation of the engine, hours in service and next overhaul period must be considered when determining whether new parts are installed or used parts are reconditioned to provide trouble-free operation.

For convenience and logical order in disassembly and assembly, the various sub-assemblies and other related parts mounted on the cylinder block will be treated as separate items in the various sections of the manual.

DISASSEMBLY

Before any major disassembly, the engine must be drained of lubricating oil, water and fuel. On engines cooled by a heat exchanger, the fresh water system and raw water system must both be drained. Lubricating oil should also be drained from any transmission attached to the engine.

To perform a major overhaul or other extensive repairs, the complete engine assembly, after removal from the engine base and drive mechanism, should be mounted on an engine overhaul stand; then the

various sub-assemblies should be removed from the engine. When only a few items need replacement, it is not always necessary to mount the engine on an overhaul stand.

Parts removed from an individual engine should be kept together so they will be available for inspection and assembly. Those items having machined faces, which might be easily damaged by steel or concrete, should be stored on suitable wooden racks or blocks, or a parts dolly.

CLEANING

Before removing any of the sub-assemblies from the engine (but after removal of the electrical equipment), the exterior of the engine should be thoroughly cleaned. Then, after each sub-assembly is removed and disassembled, the individual parts should be cleaned. Thorough cleaning of each part is absolutely necessary before it can be satisfactorily inspected. Various items of equipment needed for general cleaning are listed below.

The cleaning procedure used for all ordinary cast iron parts is outlined under *Clean Cylinder Block* in Section 1.1; any special cleaning procedures will be mentioned in the text wherever required.

Steam Cleaning

A steam cleaner is a necessary item in a large shop and is most useful for removing heavy accumulations of grease and dirt from the exterior of the engine and its sub-assemblies.

Solvent Tank Cleaning

A tank of sufficient size to accommodate the largest part that will require cleaning (usually the cylinder block) should be provided and provisions made for heating the cleaning solution to 180–200 °F (82–90 °C).

Fill the tank with a commercial heavy-duty solvent which is heated to the above temperature. Lower large parts directly into the tank with a hoist. Place small parts in a wire mesh basket and lower them into the tank. Immerse the parts long enough to loosen all of the grease and dirt.

Rinsing Bath

Provide another tank of similar size containing hot water for rinsing the parts.

Drying

Parts may be dried with compressed air. The heat from the hot tanks will quite frequently complete the drying of the parts without the use of compressed air.

Rust Preventive

If parts are not to be used immediately after cleaning,

The purpose of parts inspection is to determine which parts can be used and which must be replaced. Although the engine overhaul specifications given throughout the text will aid in determining which parts should be replaced, considerable judgment must be exercised by the inspector.

The guiding factors in determining the usability of worn parts, which are otherwise in good condition, is the clearance between the mating parts and the rate of wear on each of the parts. If it is determined that the rate of wear will maintain the clearances within the specified maximum allowable until the next overhaul period, the reinstallation of used parts may be justified. Rate of wear of a part is determined by dividing the amount the part has worn by the hours it has operated.

Following cleaning and inspection, the engine should be assembled using new parts as determined by the inspection.

Use of the proper equipment and tools makes the job progress faster and produces better results. Likewise, a suitable working space with proper lighting must be provided. The time and money invested in providing the proper tools, equipment and space will be repaid many times.

Keep the working space, the equipment, tools and engine assemblies and parts clean at all times. The area where assembly operations take place should, if possible, be located away from the disassembly and cleaning operation. Also, any machining operations should be removed as far as possible from the assembly area.

Particular attention should be paid to storing of parts and sub-assemblies, after removal and cleaning and prior to assembly, in such a place or manner as to keep them clean. If there is any doubt as to the cleanliness of such parts, they should be recleaned.

dip them in a suitable rust preventive compound. The rust preventive compound should be removed before installing the parts in an engine.

INSPECTION

Many service replacement parts are available in various undersize and/or oversize as well as standard sizes. Also, service kits for reconditioning certain parts and service sets which include all of the parts necessary to complete a particular repair job are available.

A complete discussion of the proper methods of precision measuring and inspection are outside the scope of this manual. However, every shop should be equipped with standard gages, such as dial bore gages, dial indicators, and inside and outside micrometers.

In addition to measuring the used parts after cleaning, the parts should be carefully inspected for cracks, scoring, chipping and other defects.

ASSEMBLY

When assembling an engine or any part thereof, refer to the table of torque specifications at the end of each section for proper bolt, nut and stud torques.

To ensure a clean engine at time of rebuild, it is important that any plug, fitting or fastener (including studs) that intersects with a through hole and comes in contact with oil, fuel or coolant must have a sealer applied to the threads.

A number of universal sealers are commercially available. It is recommended that Loctite J 26558-92 pipe sealer with teflon, or equivalent, be used.

NOTE: Certain plugs, fittings and fasteners available from the Parts Depot already have a sealer applied to the threads. This pre-coating will not be affected when the pipe sealer with teflon is also applied.

IMPORTANT: The sealer information above must not be confused with International Compound No. 2, which is a lubricant applied before tightening certain bolts. Use International Compound No. 2 only when specifically stated in the manual.

WORK SAFELY

A serviceman can be severely injured if caught in the pulleys, belts or fan of an engine that is accidentally started. To avoid such a misfortune, take these precautions before starting to work on an engine:

Disconnect the battery from the starting system by removing one or both of the battery cables. With the electrical circuit disrupted, accidental contact with the starter button will not produce an engine start.

Make sure the mechanism provided at the governor for stopping the engine is in the stop position. This will mean the governor is in the no-fuel position. The possibility of the engine firing by accidentally turning the fan or, in the case of vehicle application, by being bumped by another vehicle is minimized.

Some Safety Precautions To Observe When Working On The Engine

1. Consider the hazards of the job and wear protective gear such as safety glasses, safety shoes, hard hat, etc. to provide adequate protection.
2. When lifting an engine, make sure the lifting device is fastened securely. Be sure the item to be lifted does not exceed the capacity of the lifting device.
3. Always use caution when using power tools.

4. When using compressed air to clean a component, such as flushing a radiator or cleaning an air cleaner element, use a safe amount of air. Recommendations regarding the use of air are indicated throughout the manual. Too much air can rupture or in some other way damage a component and create a hazardous situation that can lead to personal injury.

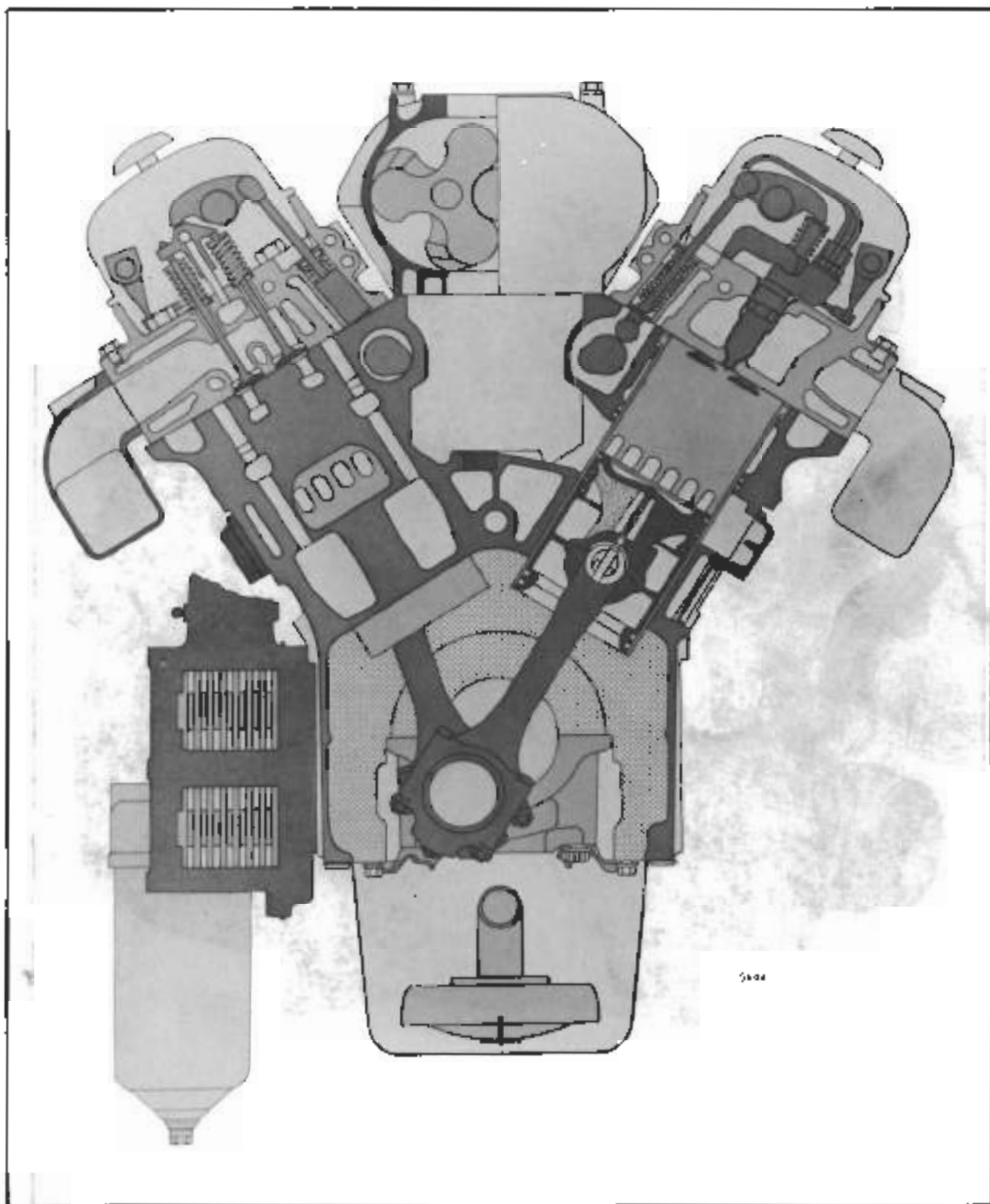
5. Avoid the use of carbon tetrachloride as a cleaning agent because of the harmful vapors that it releases. Use perchlorethylene or trichlorethylene. However, while less toxic than other chlorinated solvents, use these cleaning agents with caution. Be sure the work area is adequately ventilated and use protective gloves, goggles or face shield, and apron.

Exercise caution against burns when using oxalic acid to clean the cooling passages of the engine.

6. Use caution when welding on or near the fuel tank. Possible explosion could result if heat build-up inside the tank is sufficient.

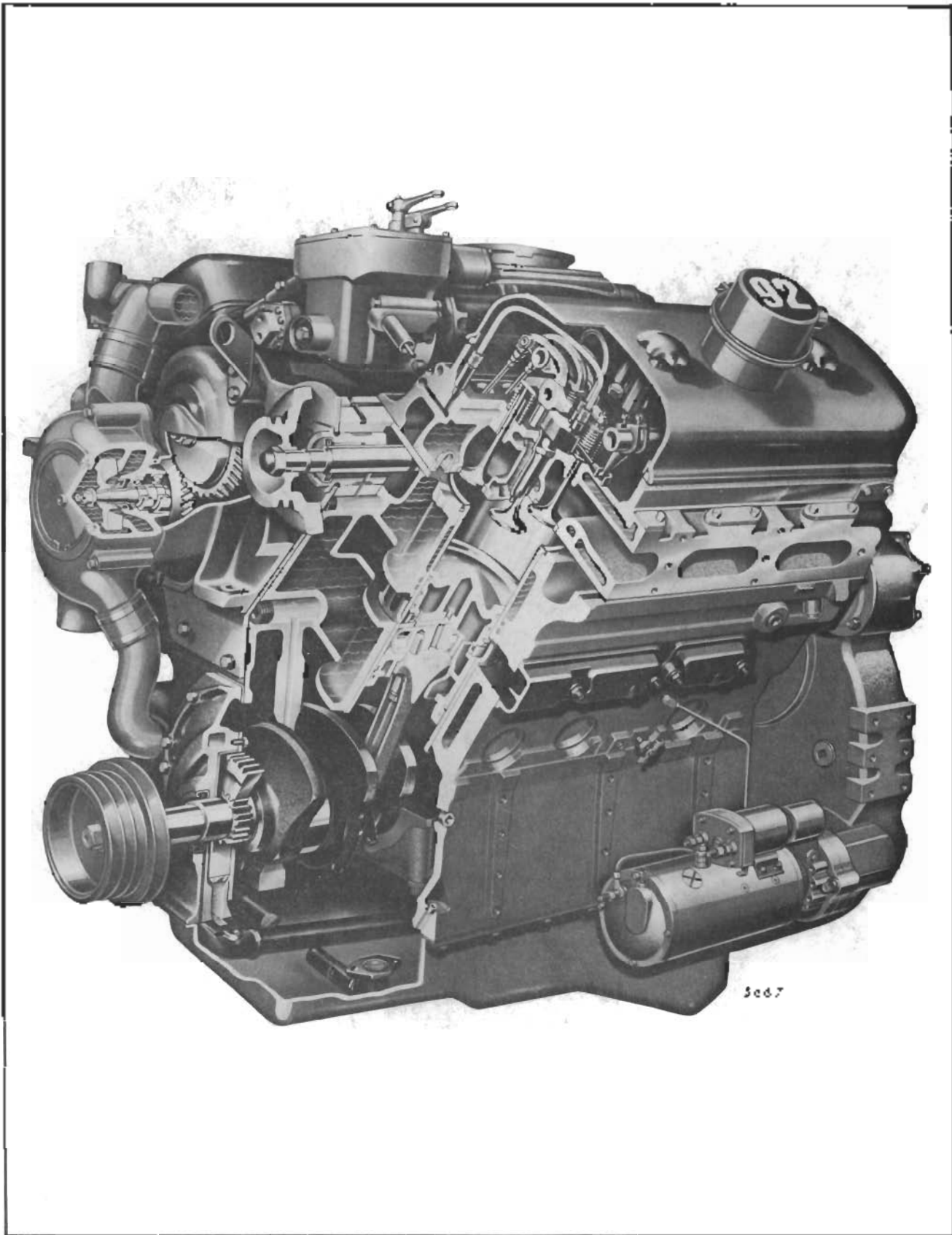
7. Avoid excessive injection of ether into the engine during start attempts. Follow the instructions on the container or by the manufacturer of the starting aid.

8. When working on an engine that is running, accidental contact with the hot exhaust manifold can cause severe burns. Remain alert to the location of the rotating fan, pulleys and belts. Avoid making contact across the two terminals of a battery which can result in severe arcing.



Scale

Cross-Section View

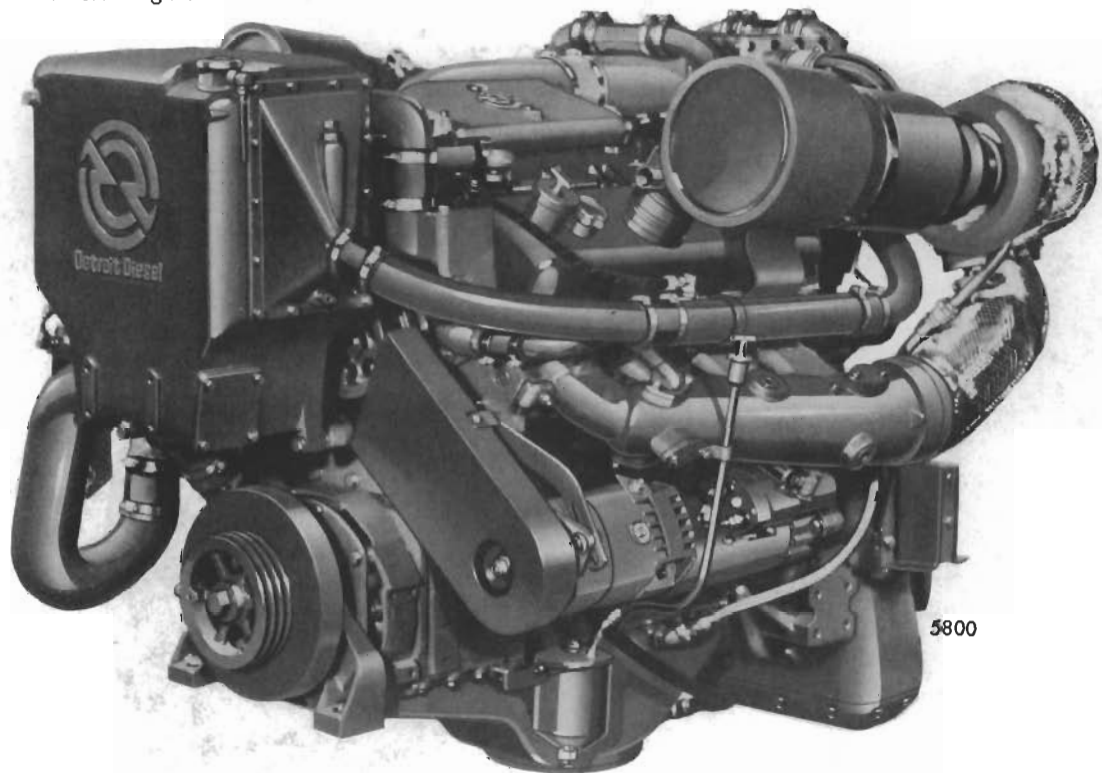


Three-Quarter Cutaway View

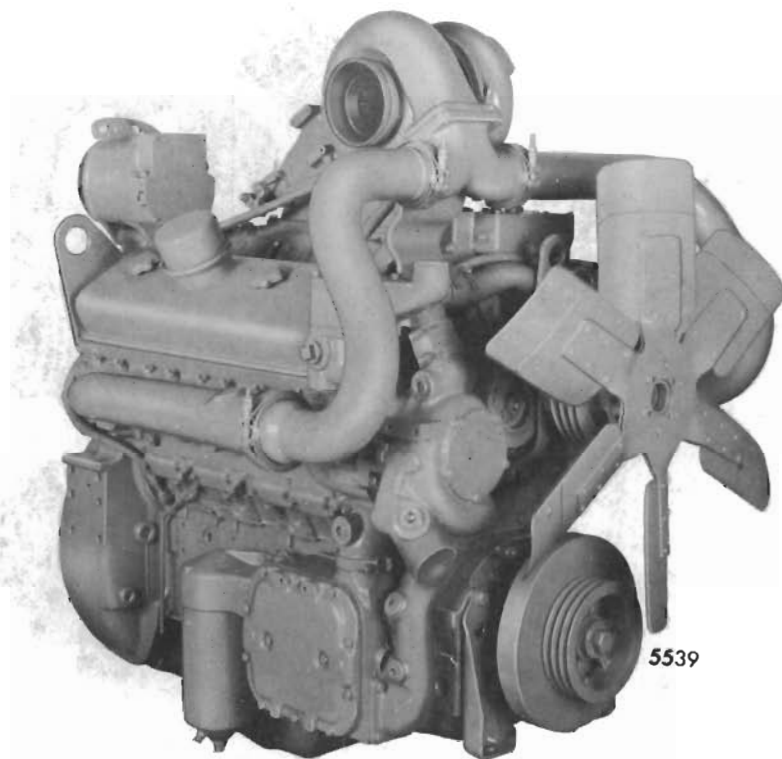
3067



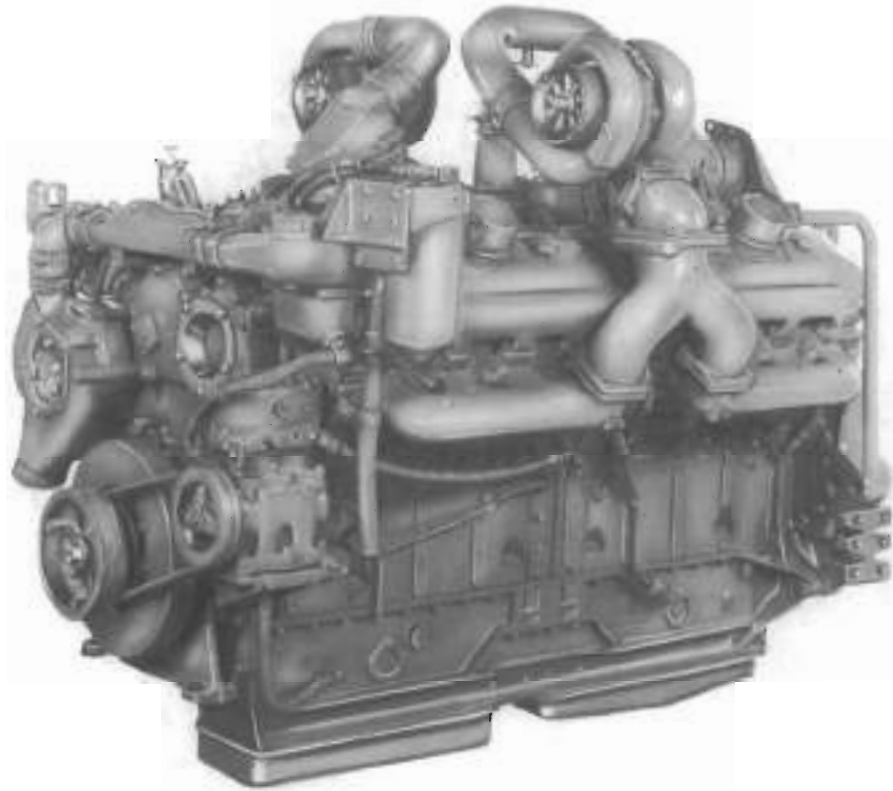
8V-92TA Vehicle Engine



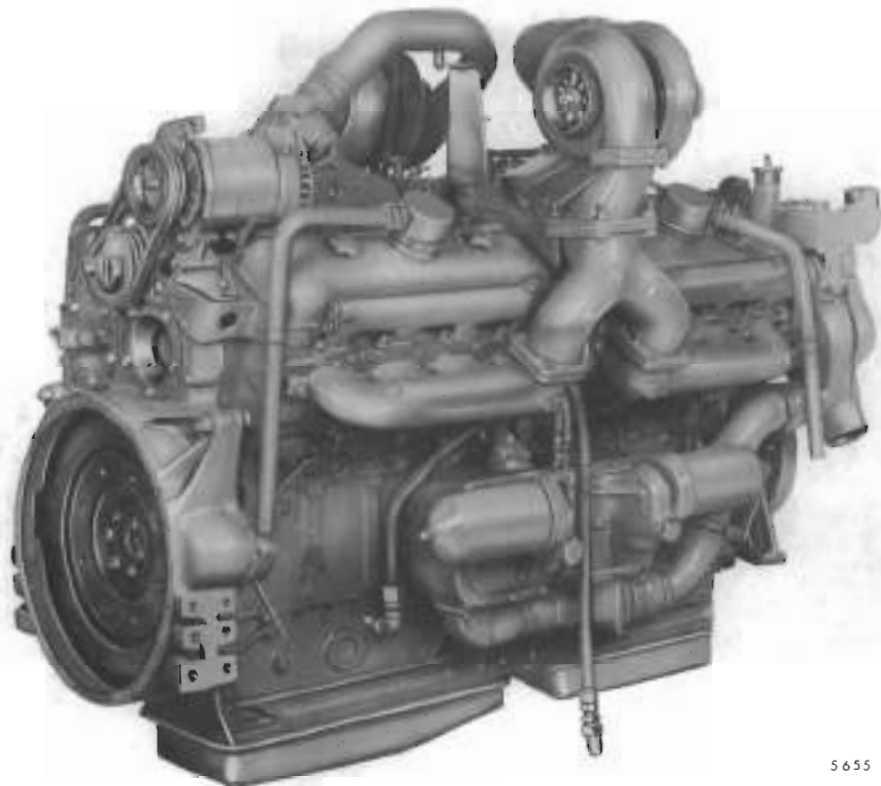
8V-92TI Marine Application



Typical Fan-To-Flywheel Engine (8V)

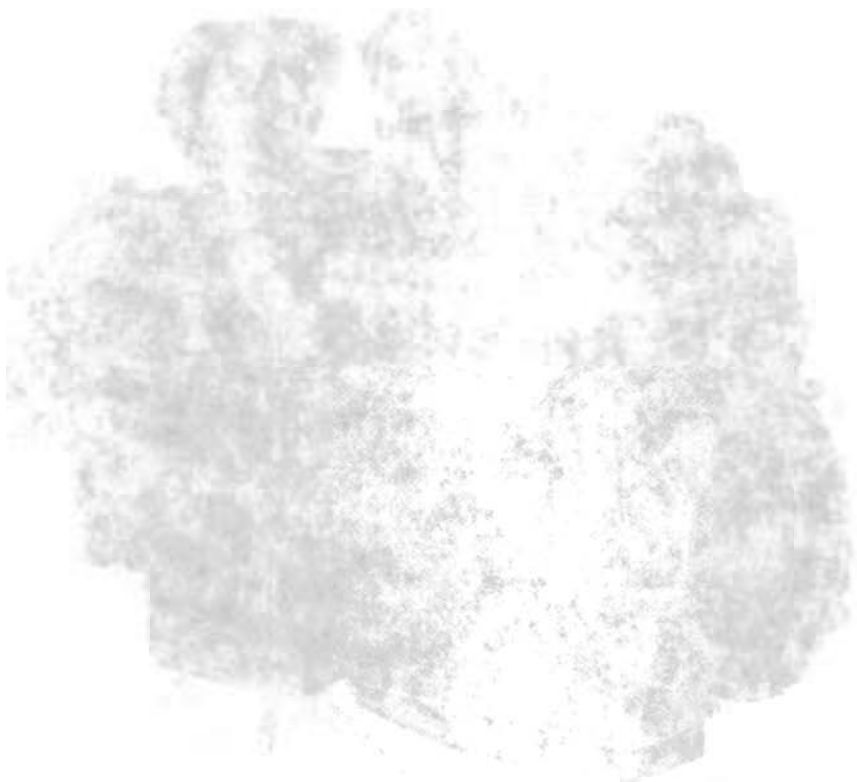


5654



5655

Typical Fan-to-Flywheel Engine (16V)



SECTION 1

ENGINE (less major assemblies)

CONTENTS

Cylinder Block.....	1.1
Cylinder Block End Plates.....	1.1.1
Air Box Drains.....	1.1.2
Cylinder Head.....	1.2
Valve and Injector Operating Mechanism.....	1.2.1
Exhaust Valves.....	1.2.2
Valve Rocker Cover.....	1.2.4
Crankshaft.....	1.3
Crankshaft Oil Seals.....	1.3.2
Crankshaft Cap.....	1.3.3
Crankshaft Main Bearings.....	1.3.4
Engine Front Cover (Lower).....	1.3.5
Crankshaft Outboard Bearing Support.....	1.3.5.1
Crankshaft Vibration Damper.....	1.3.6
Crankshaft Pulley.....	1.3.7
Flywheel.....	1.4
Clutch Pilot Bearing.....	1.4.1
Engine Drive Shaft Flexible Coupling.....	1.4.2
Flywheel Housing.....	1.5
Piston and Piston Rings.....	1.6
Connecting Rod.....	1.6.1
Connecting Rod Bearings.....	1.6.2
Cylinder Liner.....	1.6.3
Engine Balance and Balance Weights.....	1.7
Gear Train and Engine Timing.....	1.7.1
Camshafts and Bearings.....	1.7.2
Camshaft Gears.....	1.7.3
Idler Gear and Bearing Assembly.....	1.7.4
Crankshaft Timing Gear.....	1.7.5
Blower Drive Gear and Support Assembly.....	1.7.6
Accessory Drives.....	1.7.7
Balance Weight Cover.....	1.7.8
Shop Notes - Trouble Shooting - Specifications - Service Tools.....	1.0

ION I

ENCLOSURE (see description)

DATE

1
1
1.3.2
1.3.3
1.3.4
1.3.5
1.3.6
1.3.7
1.3.8
1.3.9
1.4
1.5
1.6
1.7
1.8
1.9
2.0
2.1
2.2
2.3
2.4
2.5
2.6
2.7
2.8
2.9
3.0
3.1
3.2
3.3
3.4
3.5
3.6
3.7
3.8
3.9
4.0
4.1
4.2
4.3
4.4
4.5
4.6
4.7
4.8
4.9
5.0
5.1
5.2
5.3
5.4
5.5
5.6
5.7
5.8
5.9
6.0
6.1
6.2
6.3
6.4
6.5
6.6
6.7
6.8
6.9
7.0
7.1
7.2
7.3
7.4
7.5
7.6
7.7
7.8
7.9
8.0
8.1
8.2
8.3
8.4
8.5
8.6
8.7
8.8
8.9
9.0
9.1
9.2
9.3
9.4
9.5
9.6
9.7
9.8
9.9
10.0
10.1
10.2
10.3
10.4
10.5
10.6
10.7
10.8
10.9
11.0
11.1
11.2
11.3
11.4
11.5
11.6
11.7
11.8
11.9
12.0
12.1
12.2
12.3
12.4
12.5
12.6
12.7
12.8
12.9
13.0
13.1
13.2
13.3
13.4
13.5
13.6
13.7
13.8
13.9
14.0
14.1
14.2
14.3
14.4
14.5
14.6
14.7
14.8
14.9
15.0
15.1
15.2
15.3
15.4
15.5
15.6
15.7
15.8
15.9
16.0
16.1
16.2
16.3
16.4
16.5
16.6
16.7
16.8
16.9
17.0
17.1
17.2
17.3
17.4
17.5
17.6
17.7
17.8
17.9
18.0
18.1
18.2
18.3
18.4
18.5
18.6
18.7
18.8
18.9
19.0
19.1
19.2
19.3
19.4
19.5
19.6
19.7
19.8
19.9
20.0
20.1
20.2
20.3
20.4
20.5
20.6
20.7
20.8
20.9
21.0
21.1
21.2
21.3
21.4
21.5
21.6
21.7
21.8
21.9
22.0
22.1
22.2
22.3
22.4
22.5
22.6
22.7
22.8
22.9
23.0
23.1
23.2
23.3
23.4
23.5
23.6
23.7
23.8
23.9
24.0
24.1
24.2
24.3
24.4
24.5
24.6
24.7
24.8
24.9
25.0
25.1
25.2
25.3
25.4
25.5
25.6
25.7
25.8
25.9
26.0
26.1
26.2
26.3
26.4
26.5
26.6
26.7
26.8
26.9
27.0
27.1
27.2
27.3
27.4
27.5
27.6
27.7
27.8
27.9
28.0
28.1
28.2
28.3
28.4
28.5
28.6
28.7
28.8
28.9
29.0
29.1
29.2
29.3
29.4
29.5
29.6
29.7
29.8
29.9
30.0
30.1
30.2
30.3
30.4
30.5
30.6
30.7
30.8
30.9
31.0
31.1
31.2
31.3
31.4
31.5
31.6
31.7
31.8
31.9
32.0
32.1
32.2
32.3
32.4
32.5
32.6
32.7
32.8
32.9
33.0
33.1
33.2
33.3
33.4
33.5
33.6
33.7
33.8
33.9
34.0
34.1
34.2
34.3
34.4
34.5
34.6
34.7
34.8
34.9
35.0
35.1
35.2
35.3
35.4
35.5
35.6
35.7
35.8
35.9
36.0
36.1
36.2
36.3
36.4
36.5
36.6
36.7
36.8
36.9
37.0
37.1
37.2
37.3
37.4
37.5
37.6
37.7
37.8
37.9
38.0
38.1
38.2
38.3
38.4
38.5
38.6
38.7
38.8
38.9
39.0
39.1
39.2
39.3
39.4
39.5
39.6
39.7
39.8
39.9
40.0
40.1
40.2
40.3
40.4
40.5
40.6
40.7
40.8
40.9
41.0
41.1
41.2
41.3
41.4
41.5
41.6
41.7
41.8
41.9
42.0
42.1
42.2
42.3
42.4
42.5
42.6
42.7
42.8
42.9
43.0
43.1
43.2
43.3
43.4
43.5
43.6
43.7
43.8
43.9
44.0
44.1
44.2
44.3
44.4
44.5
44.6
44.7
44.8
44.9
45.0
45.1
45.2
45.3
45.4
45.5
45.6
45.7
45.8
45.9
46.0
46.1
46.2
46.3
46.4
46.5
46.6
46.7
46.8
46.9
47.0
47.1
47.2
47.3
47.4
47.5
47.6
47.7
47.8
47.9
48.0
48.1
48.2
48.3
48.4
48.5
48.6
48.7
48.8
48.9
49.0
49.1
49.2
49.3
49.4
49.5
49.6
49.7
49.8
49.9
50.0
50.1
50.2
50.3
50.4
50.5
50.6
50.7
50.8
50.9
51.0
51.1
51.2
51.3
51.4
51.5
51.6
51.7
51.8
51.9
52.0
52.1
52.2
52.3
52.4
52.5
52.6
52.7
52.8
52.9
53.0
53.1
53.2
53.3
53.4
53.5
53.6
53.7
53.8
53.9
54.0
54.1
54.2
54.3
54.4
54.5
54.6
54.7
54.8
54.9
55.0
55.1
55.2
55.3
55.4
55.5
55.6
55.7
55.8
55.9
56.0
56.1
56.2
56.3
56.4
56.5
56.6
56.7
56.8
56.9
57.0
57.1
57.2
57.3
57.4
57.5
57.6
57.7
57.8
57.9
58.0
58.1
58.2
58.3
58.4
58.5
58.6
58.7
58.8
58.9
59.0
59.1
59.2
59.3
59.4
59.5
59.6
59.7
59.8
59.9
60.0
60.1
60.2
60.3
60.4
60.5
60.6
60.7
60.8
60.9
61.0
61.1
61.2
61.3
61.4
61.5
61.6
61.7
61.8
61.9
62.0
62.1
62.2
62.3
62.4
62.5
62.6
62.7
62.8
62.9
63.0
63.1
63.2
63.3
63.4
63.5
63.6
63.7
63.8
63.9
64.0
64.1
64.2
64.3
64.4
64.5
64.6
64.7
64.8
64.9
65.0
65.1
65.2
65.3
65.4
65.5
65.6
65.7
65.8
65.9
66.0
66.1
66.2
66.3
66.4
66.5
66.6
66.7
66.8
66.9
67.0
67.1
67.2
67.3
67.4
67.5
67.6
67.7
67.8
67.9
68.0
68.1
68.2
68.3
68.4
68.5
68.6
68.7
68.8
68.9
69.0
69.1
69.2
69.3
69.4
69.5
69.6
69.7
69.8
69.9
70.0
70.1
70.2
70.3
70.4
70.5
70.6
70.7
70.8
70.9
71.0
71.1
71.2
71.3
71.4
71.5
71.6
71.7
71.8
71.9
72.0
72.1
72.2
72.3
72.4
72.5
72.6
72.7
72.8
72.9
73.0
73.1
73.2
73.3
73.4
73.5
73.6
73.7
73.8
73.9
74.0
74.1
74.2
74.3
74.4
74.5
74.6
74.7
74.8
74.9
75.0
75.1
75.2
75.3
75.4
75.5
75.6
75.7
75.8
75.9
76.0
76.1
76.2
76.3
76.4
76.5
76.6
76.7
76.8
76.9
77.0
77.1
77.2
77.3
77.4
77.5
77.6
77.7
77.8
77.9
78.0
78.1
78.2
78.3
78.4
78.5
78.6
78.7
78.8
78.9
79.0
79.1
79.2
79.3
79.4
79.5
79.6
79.7
79.8
79.9
80.0
80.1
80.2
80.3
80.4
80.5
80.6
80.7
80.8
80.9
81.0
81.1
81.2
81.3
81.4
81.5
81.6
81.7
81.8
81.9
82.0
82.1
82.2
82.3
82.4
82.5
82.6
82.7
82.8
82.9
83.0
83.1
83.2
83.3
83.4
83.5
83.6
83.7
83.8
83.9
84.0
84.1
84.2
84.3
84.4
84.5
84.6
84.7
84.8
84.9
85.0
85.1
85.2
85.3
85.4
85.5
85.6
85.7
85.8
85.9
86.0
86.1
86.2
86.3
86.4
86.5
86.6
86.7
86.8
86.9
87.0
87.1
87.2
87.3
87.4
87.5
87.6
87.7
87.8
87.9
88.0
88.1
88.2
88.3
88.4
88.5
88.6
88.7
88.8
88.9
89.0
89.1
89.2
89.3
89.4
89.5
89.6
89.7
89.8
89.9
90.0
90.1
90.2
90.3
90.4
90.5
90.6
90.7
90.8
90.9
91.0
91.1
91.2
91.3
91.4
91.5
91.6
91.7
91.8
91.9
92.0
92.1
92.2
92.3
92.4
92.5
92.6
92.7
92.8
92.9
93.0
93.1
93.2
93.3
93.4
93.5
93.6
93.7
93.8
93.9
94.0
94.1
94.2
94.3
94.4
94.5
94.6
94.7
94.8
94.9
95.0
95.1
95.2
95.3
95.4
95.5
95.6
95.7
95.8
95.9
96.0
96.1
96.2
96.3
96.4
96.5
96.6
96.7
96.8
96.9
97.0
97.1
97.2
97.3
97.4
97.5
97.6
97.7
97.8
97.9
98.0
98.1
98.2
98.3
98.4
98.5
98.6
98.7
98.8
98.9
99.0
99.1
99.2
99.3
99.4
99.5
99.6
99.7
99.8
99.9
100.0
100.1
100.2
100.3
100.4
100.5
100.6
100.7
100.8
100.9
101.0
101.1
101.2
101.3
101.4
101.5
101.6
101.7
101.8
101.9
102.0
102.1
102.2
102.3
102.4
102.5
102.6
102.7
102.8
102.9
103.0
103.1
103.2
103.3
103.4
103.5
103.6
103.7
103.8
103.9
104.0
104.1
104.2
104.3
104.4
104.5
104.6
104.7
104.8
104.9
105.0
105.1
105.2
105.3
105.4
105.5
105.6
105.7
105.8
105.9
106.0
106.1
106.2
106.3
106.4
106.5
106.6
106.7
106.8
106.9
107.0
107.1
107.2
107.3
107.4
107.5
107.6
107.7
107.8
107.9
108.0
108.1
108.2
108.3
108.4
108.5
108.6
108.7
108.8
108.9
109.0
109.1
109.2
109.3
109.4
109.5
109.6
109.7
109.8
109.9
110.0
110.1
110.2
110.3
110.4
110.5
110.6
110.7
110.8
110.9
111.0
111.1
111.2
111.3
111.4
111.5
111.6
111.7
111.8
111.9
112.0
112.1
112.2
112.3
112.4
112.5
112.6
112.7
112.8
112.9
113.0
113.1
113.2
113.3
113.4
113.5
113.6
113.7
113.8
113.9
114.0
114.1
114.2
114.3
114.4
114.5
114.6
114.7
114.8
114.9
115.0
115.1
115.2
115.3
115.4
115.5
115.6
115.7
115.8
115.9
116.0
116.1
116.2
116.3
116.4
116.5
116.6
116.7
116.8
116.9
117.0
117.1
117.2
117.3
117.4
117.5
117.6
117.7
117.8
117.9
118.0
118.1
118.2
118.3
118.4
118.5
118.6
118.7
118.8
118.9
119.0
119.1
119.2
119.3
119.4
119.5
119.6
119.7
119.8
119.9
120.0
120.1
120.2
120.3
120.4
120.5
120.6
120.7
120.8
120.9
121.0
121.1
121.2
121.3
121.4
121.5
121.6
121.7
121.8
121.9
122.0
122.1
122.2
122.3
122.4
122.5
122.6
122.7
122.8
122.9
123.0
123.1
123.2
123.3
123.4
123.5
123.6
123.7
123.8
123.9
124.0
124.1
124.2
124.3
124.4
124.5
124.6
124.7
124.8
124.9
125.0
125.1
125.2
125.3
125.4
125.5
125.6
125.7
125.8
125.9
126.0
126.1
126.2
126.3
126.4
126.5
126.6
126.7
126.8
126.9
127.0
127.1
127.2
127.3
127.4
127.5
127.6
127.7
127.8
127.9
128.0
128.1
128.2
128.3
128.4
128.5
128.6
128.7
128.8
128.9
129.0
129.1
129.2
129.3
129.4
129.5
129.6
129.7
129.8
129.9
130.0
130.1
130.2
130.3
130.4
130.5
130.6
130.7
130.8
130.9
131.0
131.1
131.2
131.3
131.4
131.5
131.6
131.7
131.8
131.9
132.0
132.1
132.2
132.3
132.4
132.5
132.6
132.7
132.8
132.9
133.0
133.1
133.2
133.3
133.4
133.5
133.6
133.7
133.8
133.9
134.0
134.1
134.2
134.3
134.4
134.5
134.6
134.7
134.8
134.9
135.0
135.1
135.2
135.3
135.4
135.5
135.6
135.7
135.8
135.9
136.0
136.1
136.2
136.3
136.4
136.5
136.6
136.7
136.8
136.9
137.0
137.1
137.2
137.3
137.4
137.5
137.6
137.7
137.8
137.9
138.0
138.1
138.2
138.3
138.4
138.5
138.6
138.7
138.8
138.9
139.0
139.1
139.2
139.3
139.4
139.5
139.6
139.7
139.8
139.9
140.0
140.1
140.2
140.3
140.4
140.5
140.6
140.7
140.8
140.9
141.0
141.1
141.2
141.3
141.4
141.5
141.6
141.7
141.8
141.9
142.0
142.1
142.2
142.3
142.4
142.5
142.6
142.7
142.8
142.9
143.0
143.1
143.2
143.3
143.4
143.5
143.6
143.7
143.8
143.9
144.0
144.1
144.2
144.3
144.4
144.5
144.6
144.7
144.8
144.9
145.0
145.1
145.2
145.3
145.4
145.5
145.6
145.7
145.8
145.9
146.0
146.1
146.2
146.3
146.4
146.5
146.6
146.7
146.8
146.9
147.0
147.1
147.2
147.3
147.4
147.5
147.6
147.7
147.8
147.9
148.0
148.1
148.2
148.3
148.4
148.5
148.6
148.7
148.8
148.9
149.0
149.1
149.2
149.3
149.4
149.5
149.6
149.7
149.8
149.9
150.0
150.1
150.2
150.3
150.4
150.5
150.6
150.7
150.8
150.9
151.0
151.1
151.2
151.3
151.4
151.5
151.6
151.7
151.8
151.9
152.0
152.1
152.2
152.3
152.4
152.5
152.6
152.7
152.8
152.9
153.0
153.1
153.2
153.3
153.4
153.5
153.6
153.7
153.8
153.9
154.0
154.1
154.2
154.3
154.4
154.5
154.6
154.7
154.8
154.9
155.0
155.1
155.2
155.3
155.4
155.5
155.6
155.7
155.8
155.9
156.0
156.1
156.2
156.3
156.4
156.5
156.6
156.7
156.8
156.9
157.0
157.1
157.2
157.3
157.4
157.5
157.6
157.7
157.8
157.9
158.0
158.1
158.2
158.3
158.4
158.5
158.6
158.7
158.8
158.9
159.0
159.1
159.2
159.3
159.4
159.5
159.6
159.7
159.8
159.9
160.0
160.1
160.2
160.3
160.4
160.5
160.6
160.7
160.8
160.9
161.0
161.1
161.2
161.3
161.4
161.5
161.6
161.7
161.8
161.9
162.0
162.1
162.2
162.3
162.4
162.5
162.6
162.7
162.8
162.9
163.0
163.1
163.2
163.3
163.4
163.5
163.6
163.7
163.8
163.9
164.0
164.1
164.2
164.3
164.4
164.5
164.6
164.7
164.8
164.9
165.0
165.1
165.2
165.3
165.4
165.5
165.6
165.7
165.8
165.9
166.0
166.1
166.2
166.3
166.4
166.5
166.6
166.7
166.8
166.9
167.0
167.1
167.2
167.3
167.4
167.5
167.6
167.7
167.8
167.9
168.0
168.1
168.2
168.3
168.4
168.5
168.6
168.7
168.8
168.9
169.0
169.1
169.2
169.3
169.4
169.5
169.6
169.7
169.8
169.9
170.0
170.1
170.2
170.3
170.4
170.5
170.6
170.7
170.8
170.9
171.0
171.1
171.2
171.3
171.4
171.5
171.6
171.7
171.8
171.9
172.0
172.1
172.2
172.3
172.4
172.5
172.6
172.7
172.8
172.9
173.0
173.1
173.2
173.3
173.4
173.5
173.6
173.7
173.8
173.9
174.0
174.1
174.2
174.3
174.4
174.5
174.6
174.7
174.8
174.9
175.0
175.1
175.2
175.3
175.4
175.5
175.6
175.7
175.8
175.9
176.0
176.1
176.2
176.3
176.4
176.5
176.6
176.7
176.8
176.9
177.0
177.1
177.2
177.3
177.4
177.5
177.6
177.7
177.8
177.9
178.0
178.1
178.2
178.3
178.4
178.5
178.6
178.7
178.8
178.9
179.0
179.1
179.2
179.3
179.4
179.5
179.6
179.7
179.8
179.9
180.0
180.1
180.2
180.3
180.4
180.5
180.6
180.7
180.8
180.9
181.0
181.1
181.2
181.3
181.4
181.5
181.6
181.7
181.8
181.9
182.0
182.1
182.2
182.3
182.4
182.5
182.6
182.7
182.8
182.9
183.0
183.1
183.2
183.3
183.4
183.5
183.6
183.7
183.8
183.9
184.0
184.1
184.2
184.3
184.4
184.5
184.6
184.7
184.8
184.9
185.0
185.1
185.2
185.3
185.4
185.5
185.6
185.7
185.8
185.9
186.0
186.1
186.2
186.3
186.4
186.5
186.6
186.7
186.8
186.9
187.0
187.1
187.2
187.3
187.4
187.5
187.6
187.7
187.8
187.9
188.0
188.1
188.2
188.3
188.4
188.5
188.6
188.7
188.8
188.9
189.0
189.1
189.2
189.3
189.4
189.5
189.6
189.7
189.8
189.9
190.0

CYLINDER BLOCK

The cylinder block (Fig. 1) serves as the main structural part of the engine. Transverse webs provide rigidity and strength and ensure alignment of the block bores and bearings under load.

The cylinder block is a wet type above the cylinder liner ports and a dry type below the cylinder liner ports. The water jacket and air box are sealed off by two seal rings compressed between the cylinder liner and the grooves in the block.

An air box between the cylinder banks and extending around the cylinders at the air inlet port belt conducts the air from the blower to the cylinders. Air box openings on each side of the block permit inspection of the pistons and compression rings through the air inlet ports in the cylinder liners. The air box openings in the cylinder block assembly are approximately 1 7/8" x 3 1/8" and are covered with cast covers.

The camshaft bores are located on the inner side of each cylinder bank near the top of the block.

The upper halves of the main bearing supports are cast integral with the block. The main bearing bores are line-bored with the bearing caps in place to ensure longitudinal alignment. Drilled passages in the block carry the lubricating oil to all moving parts of the engine, eliminating the need for external piping.

The top surface of each cylinder bank is grooved to accommodate a block-to-head oil seal ring. Also, each water or oil hole is counterbored to provide for individual seal rings. The same size seal rings are used at all counterbored oil and water holes in the cylinder block.

Each cylinder liner is retained in the block by a flange at its upper end. The liner flange rests on an insert located in the counterbore in the block bore. An individual compression gasket is used at each cylinder.

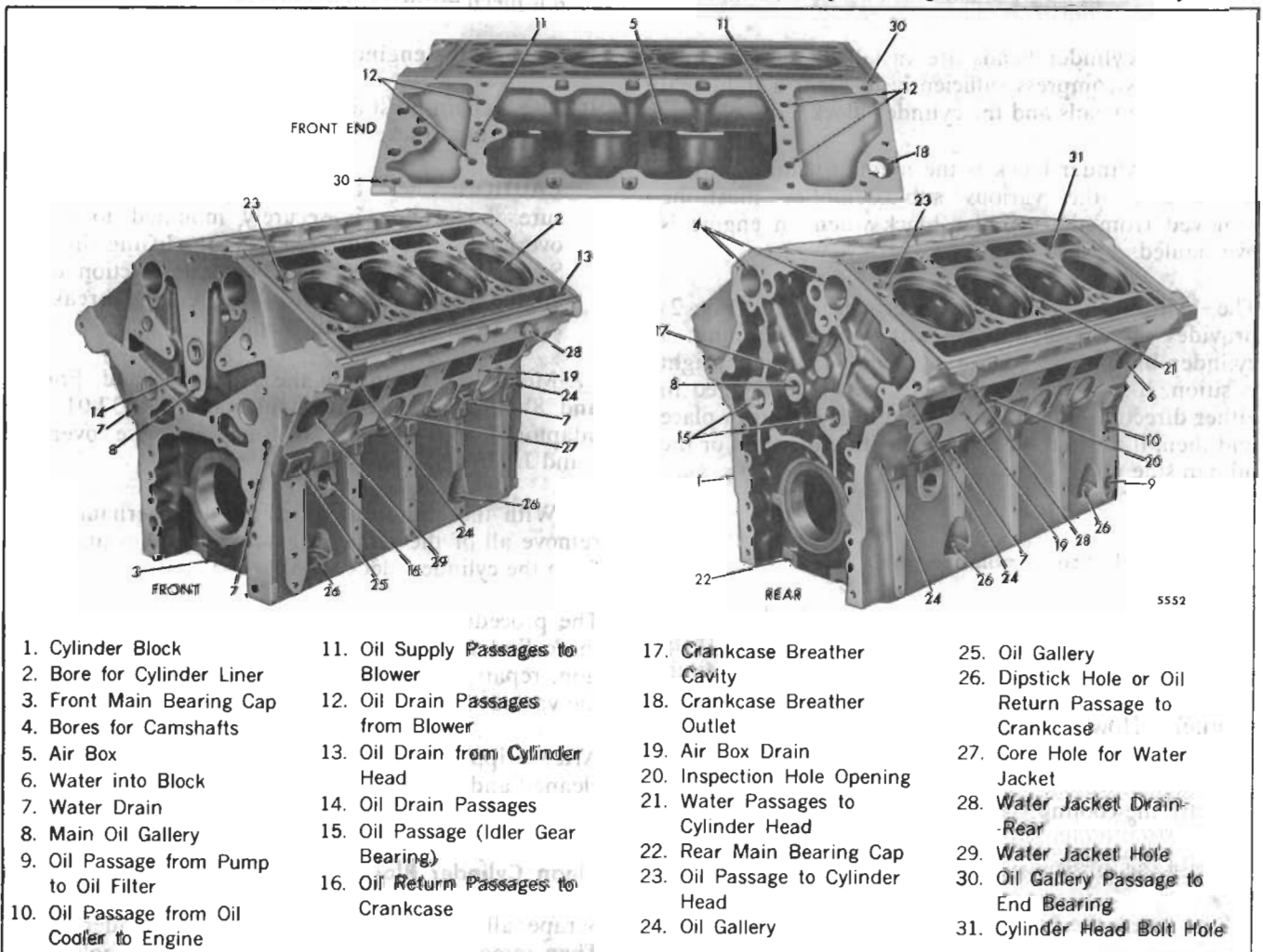


Fig. 1 - Cylinder Block (8V Engine)

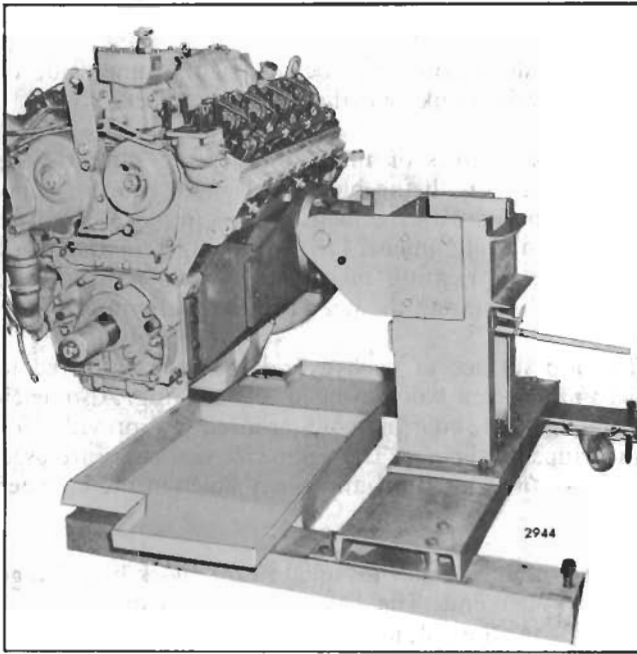


Fig. 2 - Engine Mounted on Overhaul Stand

When the cylinder heads are installed, the compression gaskets compress sufficiently to form a tight seal between the heads and the cylinder block.

Since the cylinder block is the main structural part of the engine, the various sub-assemblies must be removed from the cylinder block when an engine is overhauled.

The hydraulically operated overhaul stand (Fig. 2) provides a convenient support when stripping a cylinder block. The engine is mounted in an upright position. It may then be tipped on its side, rotated in either direction 90° or 180° where it is locked in place and then, if desired, tipped back with either end or the oil pan side up.

Remove and Disassemble Engine

Before mounting an engine on an overhaul stand, it must be removed from its base and disconnected from the transmission or other driven mechanism. Details of this procedure will vary from one application to another. However, the following steps will be necessary.

1. Drain the cooling system.
2. Drain the lubricating oil.
3. Disconnect the fuel lines.
4. Remove the air cleaner and mounting brackets.

5. Remove the turbocharger, if used.
6. Disconnect the exhaust piping and remove the exhaust manifolds.
7. Disconnect the throttle controls.
8. Disconnect and remove the starting motor, battery-charging generator and other electrical equipment.
9. Remove the air compressor, if used.
10. Remove the radiator and fan guard and other related cooling system parts.
11. Remove the air box drain tubes and fittings.
12. Remove the air box covers.
13. Disconnect any other lubricating oil lines, fuel lines or electrical connections.
14. Separate the engine from the transmission or other driven mechanism.
15. Remove the engine mounting bolts.
16. Use a chain hoist and suitable sling attached to the engine lifting brackets to lift the engine from its base.

CAUTION: Check the fastenings carefully to be sure the engine is securely mounted to the overhaul stand before releasing the lifting sling. Severe injury to personnel and destruction of engine parts will result if the engine breaks away from the overhaul stand.

17. Mount the engine on the overhaul stand. For 6V and 8V engines, use overhaul stand J 6837-01 with adaptor J 8601-01. For 16V engines, use overhaul stand J 9389-04 and adaptor J 8650.

18. With the engine mounted on the overhaul stand, remove all of the remaining sub-assemblies and parts from the cylinder block.

The procedure for removing each sub-assembly from the cylinder block, together with disassembly, inspection, repair and reassembly of each, will be found in the various sections of this manual.

After stripping, the cylinder block must be thoroughly cleaned and inspected.

Clean Cylinder Block

Scrape all gasket material from the cylinder block. Then remove all oil gallery plugs and core hole plugs (except cup plugs) to allow the cleaning solution to

contact the inside of the oil and water passages. This permits more efficient cleaning and eliminates the possibility of the cleaning solution attacking the aluminum core hole plug gaskets.

If a core hole plug is difficult to remove, hold a 3/4" drift against the plug and give it a few sharp blows with a one pound hammer. With a 1/2" flexible handle and a short extension placed in the countersunk hole in the plug, turn the plug slightly in the direction of tightening. Then turn it in the opposite direction and back the plug out.

Clean the cylinder block as follows:

1. Remove the grease by agitating the cylinder block in a hot bath of commercial heavy-duty alkaline solution.
2. Wash the block in hot water or steam clean it to remove the alkaline solution.
3. If the water jackets are heavily scaled, proceed as follows:
 - a. Agitate the block in a bath of inhibited commercial pickling acid.
 - b. Allow the block to remain in the acid bath until the bubbling stops (approximately 30 minutes).
 - c. Lift the block, drain it and reimmerse it in the same acid solution for 10 minutes.
 - d. Repeat Step "C" until all scale is removed.
 - e. Rinse the block in clear hot water to remove the acid solution.
 - f. Neutralize the acid that may cling to the casting by immersing the block in an alkaline bath.
 - g. Wash the block in clean water or steam clean it.
4. Dry the cylinder block with compressed air.
5. Make certain that all water passages, oil galleries and air box drain openings have been thoroughly cleaned.

NOTE: The above cleaning procedure may be used on all ordinary cast iron and steel parts of the engine. Mention will be made of special cleaning procedures whenever necessary.

6. After the block has been cleaned and dried, coat the threads of the plugs with sealant and, using new gaskets, reinstall the core hole plugs. Tighten the 2 1/2"-16 plugs to 230-270 lb-ft (312-366 Nm) torque using plug installer J 23019.

A water inlet adaptor plug and gasket replaces the rear (flywheel housing end) 2 1/2" core hole plug in the cylinder block air box floor on engines with an aftercooler (refer to Section 3.5.3). Use tool J 25275 to install or remove the adaptor plug. Tighten the adaptor plug to 230-270 lb-ft (312-366 Nm) torque.

NOTE: Excessive torque applied to tapered pipe plugs may result in cracks in the water jacket.

Current engines (except aftercooled applications) use steel cup plugs in the air box floor in place of the former threaded plugs. Aftercooled engines use one cup plug and one press fit cooler inlet adaptor plug.

If for any reason the cup plugs in the water jackets were removed, install new plugs as follows:

- a. Clean the cup plug holes and apply Permatex No. 1 sealant, or equivalent, to the outer diameter of the plugs.
- b. Drive the plugs in place with handle J 7079-02 and adaptor J 24597 (for 2 1/2" diameter cup plugs) or adaptor J 21850 (for 1 5/8" diameter cup plugs).

Pressure Test Cylinder Block

After the cylinder block has been cleaned, it must be pressure tested for cracks or leaks by either one of two methods. In either method, it will be necessary to make a steel plate of 1/2" stock to cover each cylinder bank of the block. The plates will adequately seal the top surface of the block when used with new cylinder liner compression gaskets and water hole seal rings. It will also be necessary to use water hole cover plates and gaskets to seal the water openings in the sides of the block. One cover plate should be drilled and tapped to provide a connection for an air line so the water jackets can be pressurized.

METHOD "A"

This method may be used when a large enough water tank is available and the cylinder block is completely stripped of all parts.

1. Make sure the seal ring grooves in the cylinder bores of the block are clean. Then install new seal rings in the grooves (above the air inlet ports).
2. Apply a light coating of hydrogenated vegetable type shortening or permanent type antifreeze solution to the seal rings.
3. Place liner inserts in the cylinder block counterbores. Slide the cylinder liners into the block, being careful not to roll or damage the seal rings. Install new

compression gaskets and water hole seal rings in the counterbores in the block.

4. Secure the plates to the block with 11/16"-11 bolts and flat washers. Tighten the bolts to 250-260 lb-ft (339-352 Nm) torque.

5. Seal off the water inlet and outlet holes air tight. This can be done by using steel plates and suitable rubber gaskets held in place by bolts. Drill and tap one cover plate to provide a connection for an air line.

6. Immerse the block for twenty minutes in a tank of water heated to 180-200 °F (82-93 °C).

7. Apply 40 psi (276 kPa) air pressure to the water jackets and observe the water in the tank for bubbles which will indicate the presence of cracks or leaks in the block. A cracked cylinder block must be replaced by a new block.

8. After the pressure test is completed, remove the block from the water tank. Then remove the plates, gaskets, liners and inserts and blow out all of the passages in the block with compressed air.

9. Dry the cylinder liners and inserts with compressed air and coat them with oil to prevent rust.

METHOD "B"

This method may be used when a large water tank is unavailable, or when it is desired to check the block for cracks without removing the engine from the equipment which it powers. However, it is necessary to remove the cylinder heads, blower, oil cooler, air box covers and oil pan.

1. Attach sealing plates and gaskets as in Method "A". However, before attaching the last sealing plate, fill the water jacket with a mixture of water and one gallon of permanent type antifreeze. The antifreeze will penetrate small cracks and its color will aid in detecting their presence.

NOTE: Do not use a methoxy propanol base antifreeze as it is detrimental to the water seals.

2. Install the remaining sealing plate and tighten it securely.

3. Apply 40 psi (276 kPa) air pressure to the water jacket and maintain this pressure for at least two hours to give the water and antifreeze mixture ample time to work its way through any cracks which may exist.

4. At the end of the test period, examine the cylinder bores, air box, oil passages, crankcase and exterior of the block for presence of the water and antifreeze mixture which will indicate the presence of cracks. A

cracked cylinder block must be replaced by a new block.

5. After the pressure test is completed, remove the plates and drain the water jacket. Then remove the liners and seal rings and blow out all of the passages in the block with compressed air.

6. Dry the cylinder liners and inserts with compressed air and coat them with oil to prevent rust.

Inspect Cylinder Block

After cleaning and pressure testing, inspect the cylinder block.

Since most of the engine cooling is accomplished by heat transfer through the cylinder liners to the water jacket, a good liner-to-block contact must exist when the engine is operating. Whenever the cylinder liners are removed from an engine, the block bores must be inspected.

1. Check the cylinder block bores:

- a. Measure the bore of each cylinder with cylinder bore gage J 5347-01 which has a dial indicator

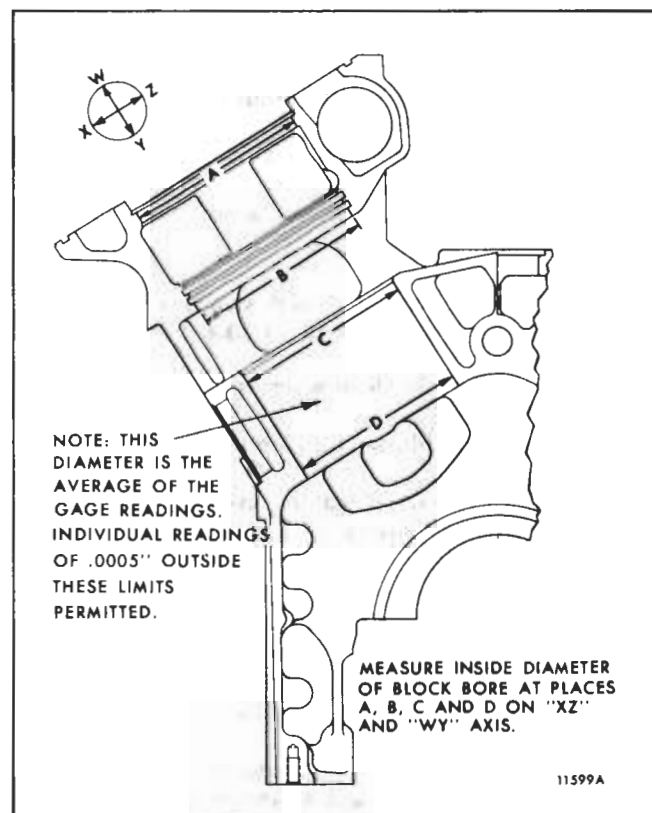


Fig. 3 - Cylinder Block Bore Measurement Diagram

calibrated in .0001 " increments. Make sure the seal ring grooves in the cylinder block bores are thoroughly clean. Then inspect the grooves and lands for evidence of pitting and erosion. Seal rings are used in the two grooves above the air inlet ports. If the grooves are eroded to the extent that sealing is affected, the block must be replaced.

- b. Measure each cylinder block bore, at the positions indicated in Fig. 3, on axis 90° apart. If the diameter does not exceed 5.3615 " (new) or 5.3625 " (used) at position "A", 5.3380 " (new) or 5.3390 " (used) at position "B" (lower two seal ring lands), 5.2170 " (new) or 5.2180 " (used) at position "C" and 5.2175 " (new) or 5.2180 " (used) at position "D", and a sealing problem has not occurred at position "B", the block may be reused. The above measurements are average gage readings at each position. Also, the taper and out-of-roundness must not exceed .0010 ".

NOTE: Dial bore gage setting master tool J 23059-01 may be used for setting the cylinder bore gage.

2. Check the top of the block (cylinder head contact surfaces) for flatness with an accurate straight edge and a feeler gage (Fig. 4).

The cylinder head deck surfaces of the block must not vary more than .003 " transversely and not over .006 " (6V), .007 " (8V or each section of a 16V) longitudinally. It will be difficult to prevent water, oil



Fig. 4 - Checking Top Surface of Cylinder Block



Fig. 5 - Checking Depth of Counterbore with Tool J 22273

and compression leaks if these surfaces exceed these tolerances.

3. Make sure the cylinder liner counterbores in the block are clean and free of dirt. Then check the depth (Fig. 5). The depth must be either .4755 " to .4770 " or .4905 "-.4920 " and must not vary more than .0015 " throughout the entire circumference. There must not be over .0015 " difference between any two adjacent cylinder counterbores when measured along the cylinder longitudinal centerline of the cylinder block, with the possible exception of the .4905 "-.4920 " deep counterbores.

4. Check the main bearing bores as follows:

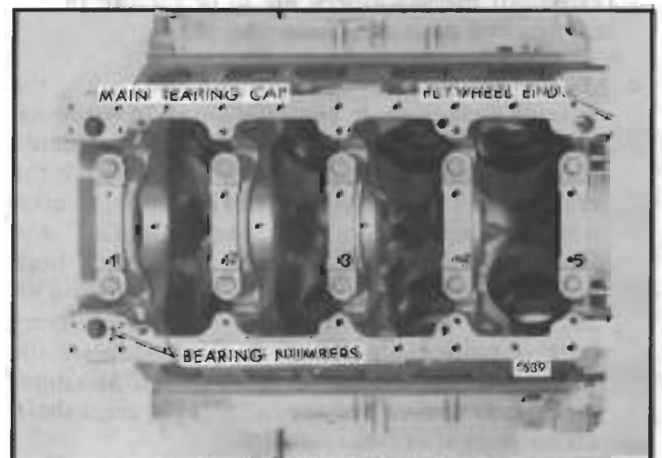


Fig. 6 - Cylinder Block Markings

- a. Check the bore diameters with the main bearing caps in their original positions. Lubricate the bolt threads and bolt head contact areas with a small quantity of International Compound No. 2, or equivalent. Then install and tighten the 11/16"-11 bolts to 230-240 lb-ft (312-325 Nm) torque. When making this check, do not install the main bearing cap stabilizers. The specified bore diameter is 4.812" to 4.813". If the bores do not fall within these limits, the cylinder block must be rejected.

IMPORTANT: Main bearing cap bolts are especially designed for this purpose and must not be replaced by ordinary bolts.

NOTE: Bearing caps are numbered to correspond with their respective positions in the cylinder block. It is imperative that the bearing caps are reinstalled in their original positions to maintain the main bearing bore alignment. The number of the front main bearing cap is also stamped on the face of the oil pan mounting flange of the cylinder block, adjacent to its permanent location in the engine as established at the time of manufacture. The No. 1 main bearing cap is always located at the end opposite the flywheel end of the cylinder block (Fig. 6).

- b. Finished and unfinished main bearing caps are available for replacing broken or damaged caps. When fitting a *finished* replacement bearing cap, it may be necessary to try several caps before one will be found to provide the correct bore diameter and bore alignment. If a replacement bearing cap is installed, be sure to stamp the correct bearing position number on the cap.

NOTE: Use the unfinished bearing caps for the front and intermediate bearing positions. The finished bearing caps, machined for the crankshaft thrust washers, are to be used in the rear bearing position.

- c. Main bearing bores are line-bored with the bearing caps in place and thus are in longitudinal alignment. Bearing bores may be considered properly aligned with one another if the crankshaft can be rotated freely by hand after new bearing shells have been installed and lubricated and the bearing caps have been secured in place and the bolts tightened to 250-260 lb-ft (339-352 Nm) torque. If a main bearing bore is more than .001" out of alignment, the block must be line-bored or scrapped. Misalignment may be caused by a broken crankshaft, excessive heat or other damage.

- d. If the main bearing bores are not in alignment or

a replacement bearing cap is used, the block must be line-bored. Install the bearing caps in their original positions (without the bearing cap stabilizers) and tighten the bolts to 230-240 lb-ft (312-325 Nm) torque. Line-bore the block, but do not remove more than .001" stock. After boring, all bores must be within the specified limits of 4.812" to 4.813".

5. Refer to the *Cylinder Block Plugging Chart* shown as a fold-out at the end of this manual and install the necessary plugs and dowels.

6. Replace loose or damaged dowel pins. The dowels at the ends of the cylinder block must extend .630" from the 6 and 8V cylinder blocks or .880" from the 16V cylinder block.

The dowels used to retain the crankshaft thrust washers in the rear main bearing cap must extend .110" to .120" from the surface of the bearing cap.

NOTE: A stepped dowel pin is available to replace loose pins in the rear main bearing cap. Before installing the stepped pins, rebore the dowel holes in the bearing cap with a No. 11 (.1910") or No. 12 (.1890") drill. After pressing the pins into the bearing cap, remove all burrs from the base of the dowel pins to ensure proper seating of the thrust washers.

7. Examine the cylinder head retaining bolt holes. If the threads are damaged, use a tap to "clean-up" the threads or install a helical thread insert.

8. The tapped holes in the water-below-port cylinder blocks may be tapped with a 11/16"-11 thread tap. The unplugged bolt holes must have the thread extending 1.850" below the block surface. If the bolt hole in the block is plugged, the plug must be a minimum of 1.960" below the surface of the block and threaded the full distance. When replacing a bolt hole plug in the water-below-port block, refer to *Shop Notes* in Section 1.0.

9. Check the remaining cylinder block surfaces and threaded holes. Check all of the mating surfaces, or mounting pads, for flatness, nicks and burrs. Clean-up damaged threads in tapped holes with a tap or install helical thread inserts, if necessary.

10. After inspection, if the cylinder block is not to be used immediately, spray the machined surfaces with engine oil. If the block is to be stored for an extended period of time, spray or dip it in a polar type rust preventive such as Valvoline Oil Company's "Tectyl 502-C", or equivalent. Castings free of grease or oil will rust when exposed to the atmosphere.

Assemble and Install Engine

After the cylinder block has been cleaned and inspected, assemble the engine as follows:

NOTE: Before a reconditioned or new service replacement cylinder block is used, steam clean it to remove the rust preventive and blow out the oil galleries with compressed air.

1. **Mount** the cylinder block on the overhaul stand.
2. If a new service replacement block is used, stamp the engine serial number and model number on the right-hand side of the cylinder block. Also stamp the position numbers on the main bearing caps (Fig. 6) and the position of the No. 1 bearing on the oil pan mounting flange of the block.
3. Install all of the required cylinder block plugs and drain cocks. Use a suitable non-hardening sealant on the threads of the plugs and drain cocks. Install the plugs flush with or below the surface of the block.

NOTE: Make sure the cup plug, which blocks the oil cooler adaptor inlet from the adaptor outlet, is installed in the vertical passage.

4. Clean and inspect all engine parts and sub-assemblies and, using new parts as required, install them on the cylinder block by reversing the sequence of disassembly. The procedures for inspecting and installing the various parts and sub-assemblies are outlined in the following sections of this manual.
5. Use a chain hoist and suitable sling to transfer the engine to a dynamometer test stand.
6. Complete the engine build-up by installing all remaining accessories, fuel lines, electrical connections, controls etc.
7. Operate the engine on a dynamometer, following the RUN-IN procedure outlined in Section 13.2.1.
8. Re-install the engine in the equipment which it powers.

CYLINDER BLOCK DISASSEMBLY AND ASSEMBLY PROCEDURE**16V Engines****Disassemble Cylinder Block**

1. Remove the block from the overhaul stand.
2. Refer to Fig. 8 and remove the two "B" bolts and special washers from the oil drain back cavity.

CAUTION: NEVER use eye bolts or any other commonly purchased hardware to lift the cylinder block. Due to the weight of the blocks, it is important that the lifting brackets are constructed as shown in Fig. 7 and that all weld joints are magnafluxed prior to and periodically after initial use.

3. Attach a suitable lifting bracket (Fig. 7) to the end of the front cylinder block with two 1/2"-13 x 2" bolts and two 3/8"-16 x 2" bolts.
4. Attach a chain hoist to the lifting bracket, then lift the cylinder blocks into a vertical position and rest the end of the rear cylinder block on a clean flat surface.
5. Refer to Fig. 8 and remove the seven remaining bolts A, C, D and E securing the two cylinder blocks together. Also remove the two spacers used on the two "D" bolts shown in inset "D" of Fig. 8. Then lift the front cylinder block off the rear cylinder block and remove the seal strip from the groove in the rear block.

Inspection

Clean the cylinder blocks as outlined under *Clean Cylinder Block* in this Section.

Examine the entire contact surface of each cylinder block (new or used). Remove any burrs with a suitable file or stone.

Check and clean the attaching bolt holes in each cylinder block with compressed air.

Examine and clean the cylinder block attaching bolts. Replace any of the bolts that are damaged or rusted.

Refer to the *Cylinder Block Plugging Chart* shown as a fold-out at the end of this manual and install the necessary plugs and dowels.

Assemble Cylinder Block

Before a reconditioned or a new service replacement cylinder block is used, steam clean it to remove all traces of oil or rust preventive and blow out the oil galleries with compressed air.

1. Place the rear cylinder block on a clean flat surface with the seal strip groove in the front end of the block facing up.

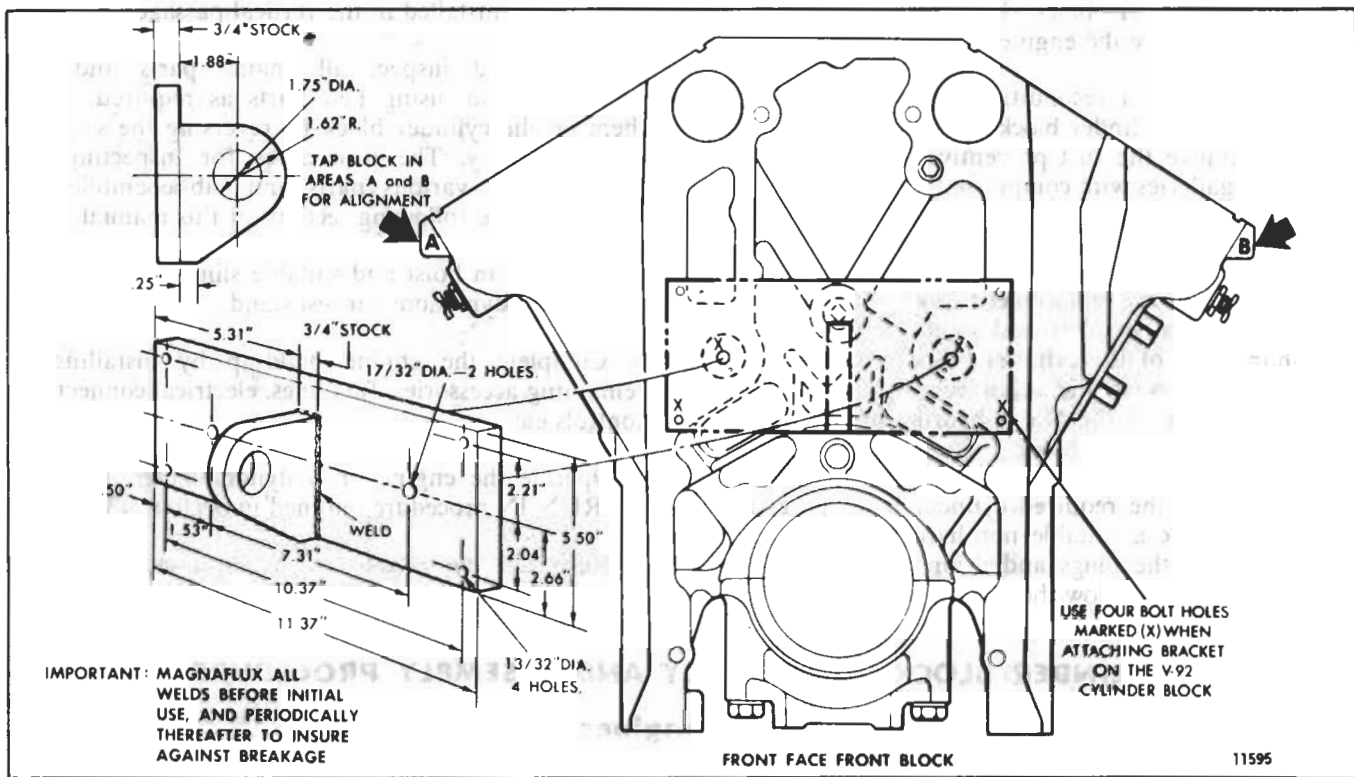


Fig. 7 - Details of Cylinder Block Lifting Bracket

2. Check and clean the seal strip groove, the two seal ring grooves and the entire top surface of the cylinder block, if necessary.

3. Apply a thin coat of lubriplate, or equivalent, in the seal strip and seal ring grooves. Then place a new seal strip in the groove in the block. Place two new seal rings in the seal ring grooves. Also place one new seal ring in the main oil gallery seal ring groove.

NOTE: The seal strip must lay flat in the groove and must not be twisted.

4. Apply a thin coat of lubriplate, or equivalent, on the exposed flat surface of the seal strip. Then clean any excess lubriplate from the cylinder block.

5. Attach a suitable lifting bracket (Fig. 7) to the front end of the front cylinder block with two 1/2"-13 x 2" bolts and two 3/8"-16 x 2" bolts.

6. Attach a chain hoist to the lifting bracket and lift the cylinder block approximately four feet off the floor. Check and clean the entire lower end of the cylinder block. Position the front cylinder block over the rear cylinder block so the block contact faces are horizontally parallel, then lower the front block against the rear block.

NOTE: Position the front cylinder block as close to the final alignment as possible before lowering it on the rear cylinder block. Sliding the faces against each other may dislodge or twist the block seal strip or oil gallery seal ring.

7. Mark the number 5, 6 and 7 crankshaft main bearing caps, if not previously marked, so they will be reassembled in the same position, then remove the number 5, 6, and 7 main bearing caps.

8. Place a suitable wood block, approximately 3" thick, across the number 8 main bearing cap to provide a support for the alignment tool.

9. Place the triangular cylinder block alignment tool J 21799 in the main bearing bore with the contact points of the tool located as shown in Fig. 9 and the lower end of the tool resting on the wood block.

10. Install the number 5, 6 and 7 crankshaft main bearing caps in their original positions and tighten the bolts to 230-240 lb-ft (312-325 Nm) torque.

11. Lubricate the threads and the contact face of the cylinder block attaching bolts "A", "C", "D" and "E" with a small amount of International Compound No. 2, or equivalent. Place a spacer on each "D" bolt as shown in inset "D" of Fig. 8. Then refer to Fig. 8

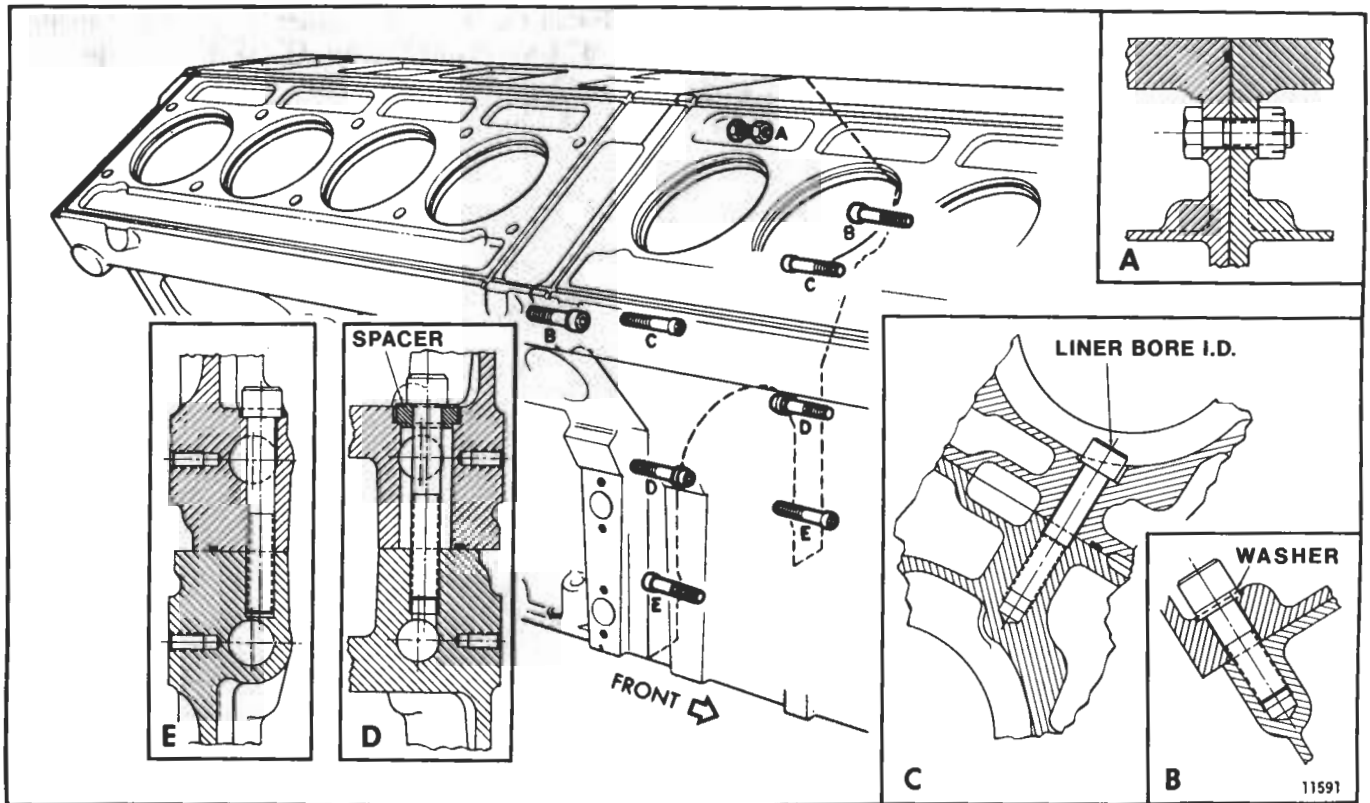


Fig. 8 - Location of Cylinder Block Attaching Bolts

for their location and install all of the bolts, except the two "B" bolts. Do not tighten the bolts at this time.

NOTE: If it becomes necessary to shift the front cylinder block when installing the attaching bolts, use a soft hammer and tap at points "A" and "B" shown in Fig. 7.

12. Move a dial indicator across the bottom faces (oil pan rail) of the cylinder blocks. The mismatch, if any, between the bottom faces of the two blocks must be equal on both sides of the cylinder block assembly within .002".

NOTE: If it is necessary to shift the front cylinder block when checking the alignment, tap at points "A" and "B" (Fig. 7) with a soft hammer to align the blocks.

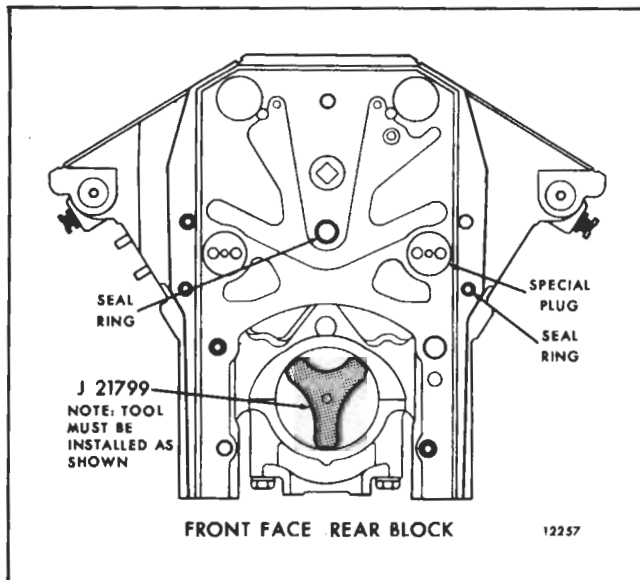


Fig. 9 - Position of Cylinder Block Alignment Tool

13. Tighten the four "C" and "D" bolts to 160-170 lb-ft (217-231 Nm) torque first, then tighten the two "E" bolts to 160-170 lb-ft (217-231 Nm) torque. Now tighten the "A" bolt nut to 165-175 lb-ft (224-238 Nm) torque.

14. Repeat the cylinder block alignment check as outlined in Step 12. If the alignment is not satisfactory, loosen all of the attaching bolts, re-align the blocks and retighten the attaching bolts as outlined in Step 13.

15. When cylinder block alignment is satisfactory, cut the excess lengths of the block seal strip off flush with the bottom face of the block.

16. Remove the cylinder block alignment tool J 21799 and the wood block.

17. Lift the cylinder block assembly with a chain hoist and place it in a horizontal position on a clean flat surface.

18. Install the bolts and washers (Fig. 8) and tighten the "B" bolts to 240-250 lb-ft (325-339Nm) torque.

CYLINDER BLOCK END PLATES

A flat steel plate, one bolted to each end of the cylinder block (Fig. 1), provides a support for the flywheel housing at the rear and the balance weight cover at the front of the engine. The rear end plate has a 3" diameter breather hole for crankcase ventilation. Gaskets are used between the block and each end plate. On current engines, the left bank accessory drive mounting hole in the rear end plate is omitted, unless an accessory drive is specified.

Inspection

When an end plate is removed, it is essential that all of the old gasket material be removed from both surfaces of the end plate and the cylinder block. Clean the end plate as outlined under *Clean Cylinder Block* in Section 1.1.

Inspect both surfaces of each end plate for nicks, dents, scratches or score marks and check the end plates for warpage. Check the plug nuts in the end plates for cracks or damaged threads. If nicks or scratches on the sealing surfaces of the end plates are too deep to be cleaned up, or the plug nuts are damaged, replace the end plates or plug nuts.

When installing a plug nut, support the end plate on a solid flat surface to avoid distorting the plate. Then press the nut in the end plate until the head on the nut seats on the end plate.

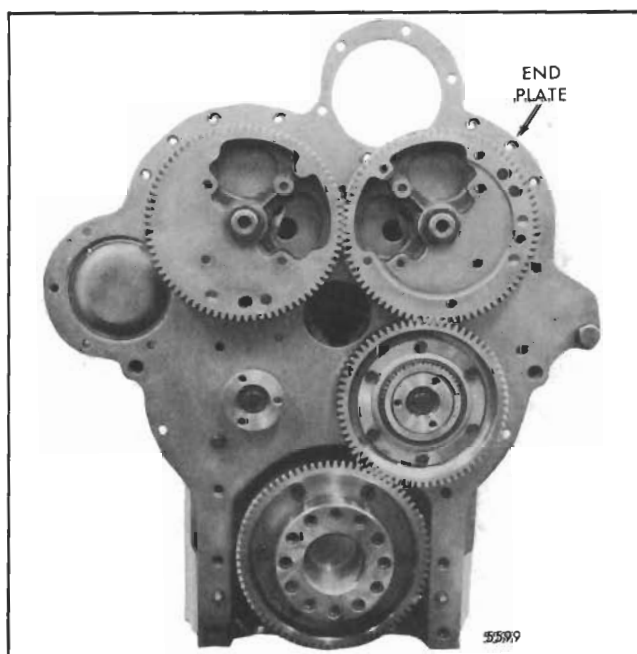


Fig. 1 - Cylinder Block Rear End Plate

Install End Plates

1. Affix new gaskets to the ends of the cylinder block. Also attach the small round gasket to the corner at the front end of the cylinder block.

NOTE: If the flywheel housing does not have a pressure pad, use Permatex No. 2, or equivalent non-hardening sealer, at the upper right rear of the block face and corresponding area on the rear end plate.

2. Attach the front end plate to the cylinder block with bolts and lock washers. Tighten the bolts finger tight.

3. Insert the right bank camshaft end bearing through the SMALL bearing bore in the end plate and into the bore of the block to accurately align the end plate with the cylinder block as shown in Fig. 2.

NOTE: The holes in the front and rear end plates for the camshaft end bearings are not the same size. The smaller hole is accurately machined for alignment purposes and is always located on the right side of the engine as viewed from the rear.

4. With the bearing in place, tighten the 1/2"-13 end plate-to-cylinder block bolts to 71-75 lb-ft (96-102 Nm) torque. Tighten the 3/8"-16 bolts to 30-35 lb-ft (41-47

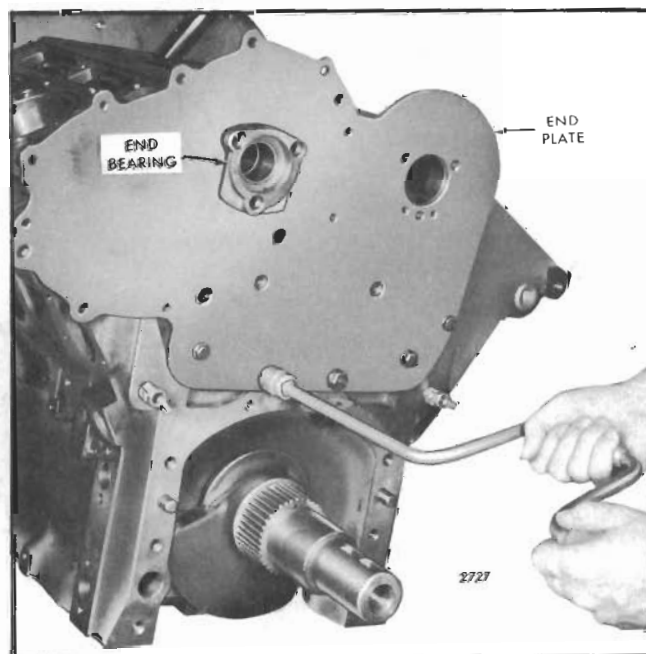


Fig. 2 - Installing Front End Plate (8V Engine)

Nm) torque. Then remove the camshaft bearing which served as a pilot while attaching the front end plate.

5. Install the rear end plate in the same manner as outlined above for the front end plate.

6. Install the 5/8"-11 x 1" bolt on the right rear side of the end plate. Tighten it to 137-147 lb-ft (186-200 Nm) torque.

NOTE: If used, attach the small cover to the cylinder block side of the rear end plate with two bolts and copper washers prior to installing the end plate. Use a new gasket between the cover and the end plate.

7. Trim off any excess gasket material.

AIR BOX DRAINS

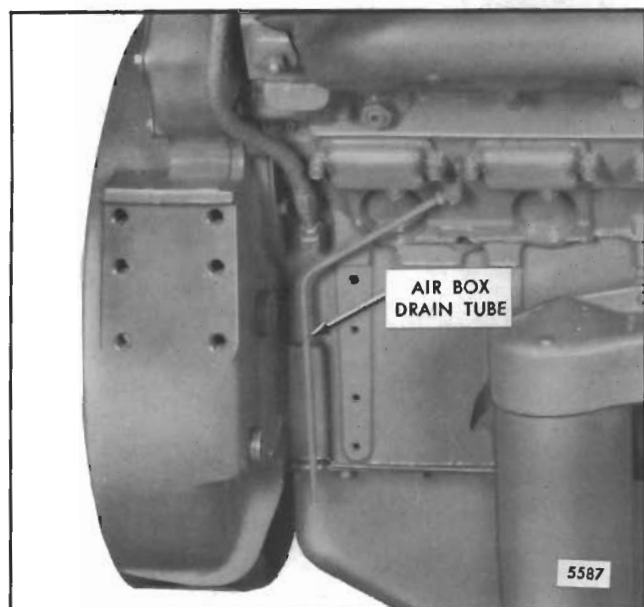


Fig. 1 - Air Box Drain Tube

During normal engine operation, water vapor from the air charge, as well as a slight amount of fuel and lubricating oil fumes, condenses and settles on the bottom of the air box. This condensation is removed by the air box pressure through air box drain tubes (Fig. 1) mounted on the sides of the cylinder block.

Certain engines are equipped with a drain tank to collect and retain the sediment from the air box.

Air box drains must be kept open at all times, otherwise water and oil that may accumulate will be drawn into the cylinders.

Certain current 6 and 8V upright engines now have the air box drain tubes routed to the crankcase at the rear dipstick holes at each side of the engine, rather than to the atmosphere (Fig. 2).

In conjunction with the new drain tubes, a check (control) valve has been installed in the air box drain fitting on each side of the engine to allow drainage only at low air box pressures.

The check valve cutaway (Fig. 2) shows the valve operating at engine idle speed. As the engine speed and air box pressure increase, the valve moves forward and seats, blocking air-flow.

To accommodate the new drain tubes, a new dipstick adaptor which has a 1/4" drilled return opening is used at the dipstick hole. The adaptor on the side

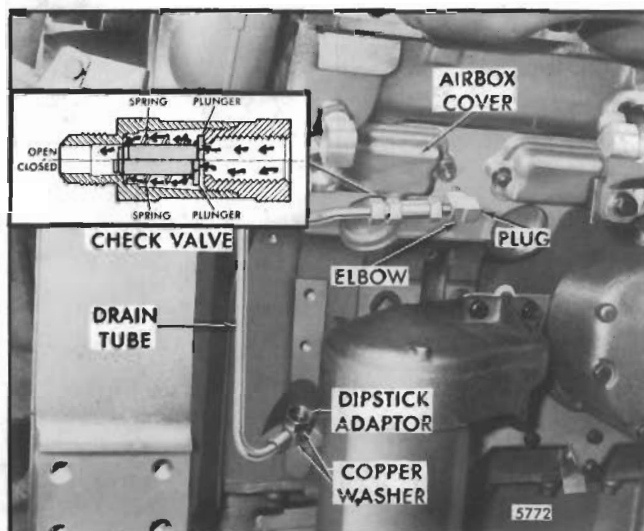


Fig. 2 - Air Box Drain Tube and Check Valve

opposite the dipstick is closed for the dipstick, but is open for the air box drain tube. For sealing, a copper washer is used on each side of the drain tube flange (union) at the dipstick adaptor.

Inspection

A periodic check for air flow from the air box drain tubes should be made (refer to Section 15.1). If a drain tank is used, service it periodically as outlined in Section 15.1.

Inspect the check valve for proper operation as follows:

1. Disconnect the drain tube between the check valve and the air box drain tube nut at the air box cover.
2. Run the engine and note the air flow through the valve at idle speed.
3. If the check valve is operating properly, there will be no airflow at engine speeds above idle.

To check the air box pressures on an engine with the new drain tubes, use air box covers with a tapped hole for a fitting.

1. Remove the plug in the cover.
2. Install a fitting and short drain tube.
3. Attach a manometer to the end of the drain tube and check the air box pressure as stated in Section 15.2.

CHAS

1897

1897



1897

1897



CYLINDER HEAD

The cylinder head (Figs. 1 and 2), one on each cylinder bank, is a one-piece casting securely held to the cylinder block by special 11/16"-11 bolts and hardened washers.

The exhaust valves, fuel injectors and the valve and injector operating mechanism are located in the cylinder head. The four exhaust valves (per cylinder) are arranged in a trapezoidal configuration, with two valves set farther apart than the others.

Exhaust valve seat inserts, pressed into the cylinder head, permit accurate seating of valves under varying conditions of temperature and materially prolong the life of the cylinder head.

To ensure efficient cooling, each fuel injector is inserted into a thin-walled tube (Fig. 3) which passes

through the water space in the cylinder head. The lower end of the injector tube is pressed into the cylinder head and flared over; the upper end is flanged and sealed with a seal ring. The sealed upper end and flared lower end of the injector tube prevent water and compression leaks.

The exhaust passages from the exhaust valves of each cylinder lead through a single port to the exhaust manifold. The exhaust passages and the injector tubes are surrounded by engine coolant.

In addition, cooling of the above areas is further ensured by the use of water nozzles (Fig. 4) pressed into the water inlet ports in the cylinder head. The nozzles direct the comparatively cool engine coolant at

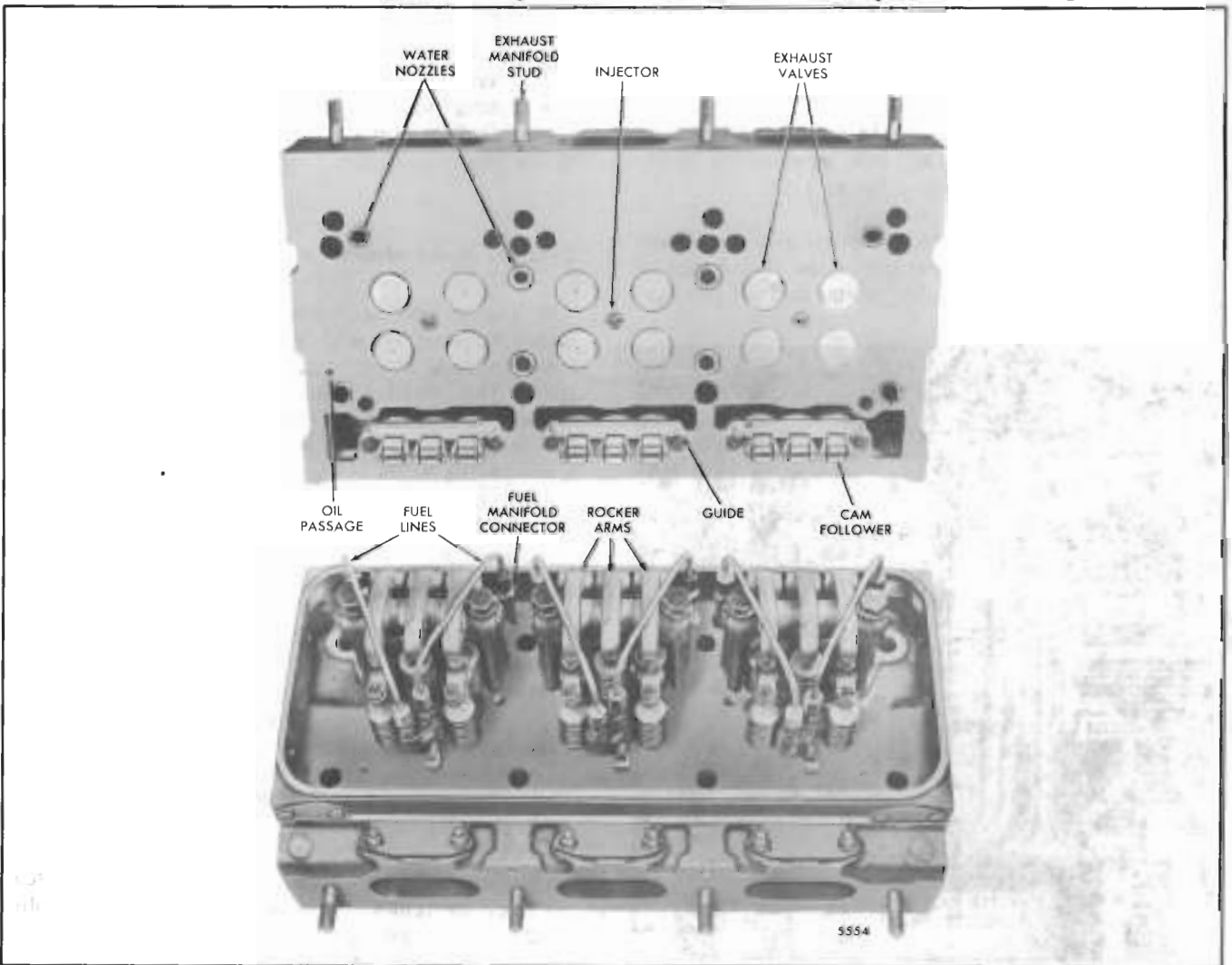


Fig. 1 - Typical Cylinder Head Assembly

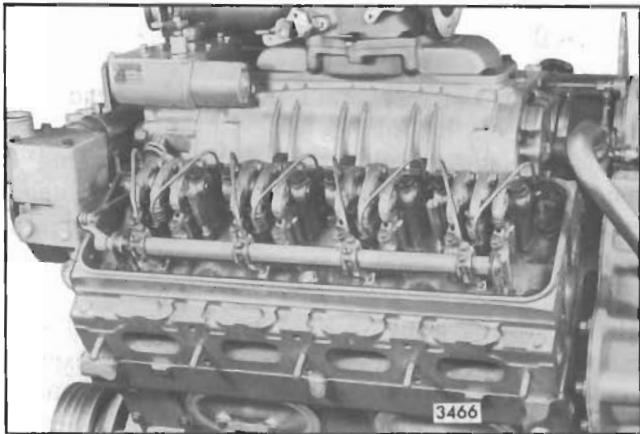


Fig. 2 - Cylinder Head Mounting

high velocity toward the sections of the cylinder head which are subjected to the greatest heat.

The fuel inlet and outlet manifolds are cast as an integral part of the cylinder heads. Tapped holes are provided for connection of the fuel lines at various points along each manifold.

The water flow is all internal on the 6V and 8V end outlet cylinder heads. On 16V engines, a water manifold is attached to each cylinder head.

To seal compression between the cylinder head and the cylinder liner, separate laminated metal gaskets are provided at each cylinder. Water and oil passages

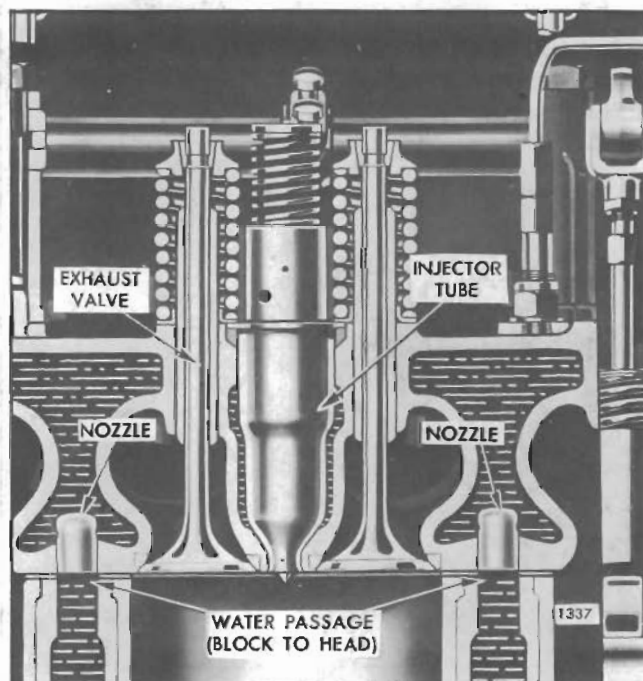


Fig. 3 - Coolant Passages Around Exhaust Valves and Fuel Injectors

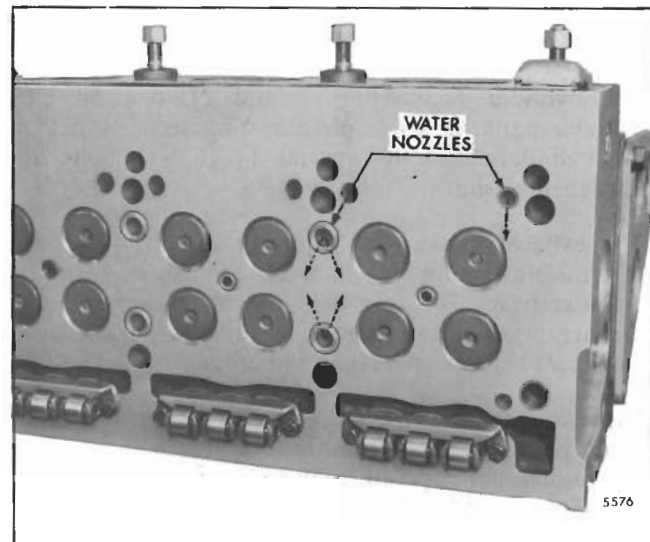


Fig. 4 - Location and Position of Water Nozzles in Cylinder Head

between the cylinder head and cylinder block are sealed with the same size silicone seal rings which fit into counterbored holes in the block. A synthetic rubber seal fits into a milled groove near the perimeter of the block.

Cylinder Head Maintenance

The engine operating temperature should be maintained between 160-185 °F (71-85 °C) and the cooling system should be inspected daily and kept full at all times. The cylinder head fire deck will overheat and crack in a short time if the coolant does not cover the fire deck surface. **When** necessary, add water *slowly* to a hot engine to avoid rapid cooling which can result in distortion and cracking of the cylinder head (and cylinder block).

Abnormal operating conditions or neglect of certain maintenance items may cause cracks to develop in the cylinder head. If **this type** of failure occurs, a careful inspection should be made to find the cause and avoid a recurrence of the failure.

Unsuitable water in the cooling system may result in lime and scale formation and prevent proper cooling. The cylinder head should be inspected around the exhaust valve water jackets. This can be done by removing an injector tube. Where inspection discloses such deposits, use a reliable non-corrosive scale remover to remove the deposits from the cooling system of the engine, since a similar condition will exist in the cylinder block and other components of the engine. Refer to Section 13.3 for engine coolant recommendations.

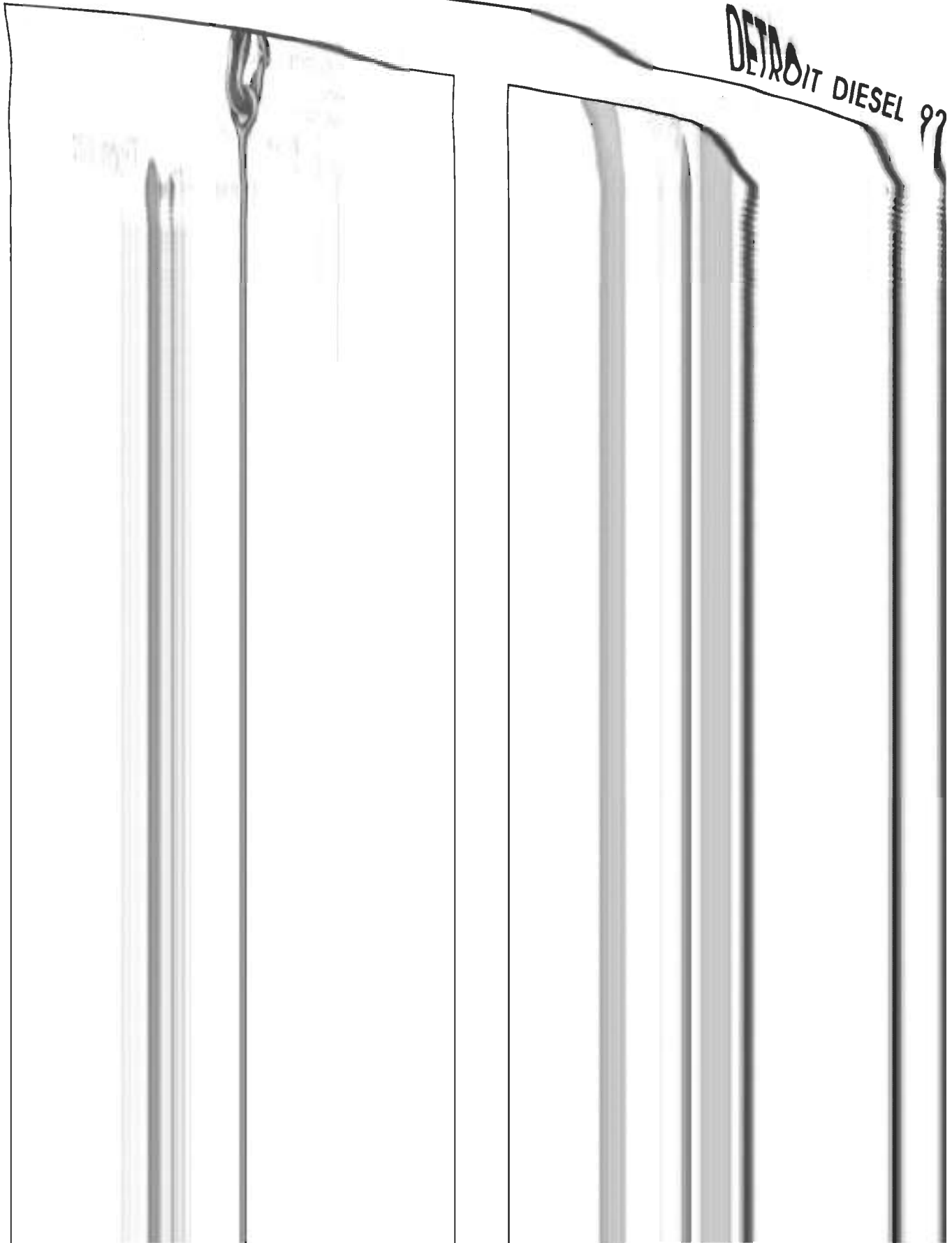
Loose or improperly seated injector tubes may result in compression leaks into the cooling system and also loss of engine coolant. The tubes must be properly seated. Refer to Section 2.1.4.

used, only the general steps for removal of a cylinder head are covered. If the engine is equipped with accessories that affect cylinder head removal, note the position of each before disconnecting or removing them to ensure correct re-installation. Then remove the cylinder head as follows:

cooling system.

1.2 Cylinder Head

DETROIT DIESEL 92



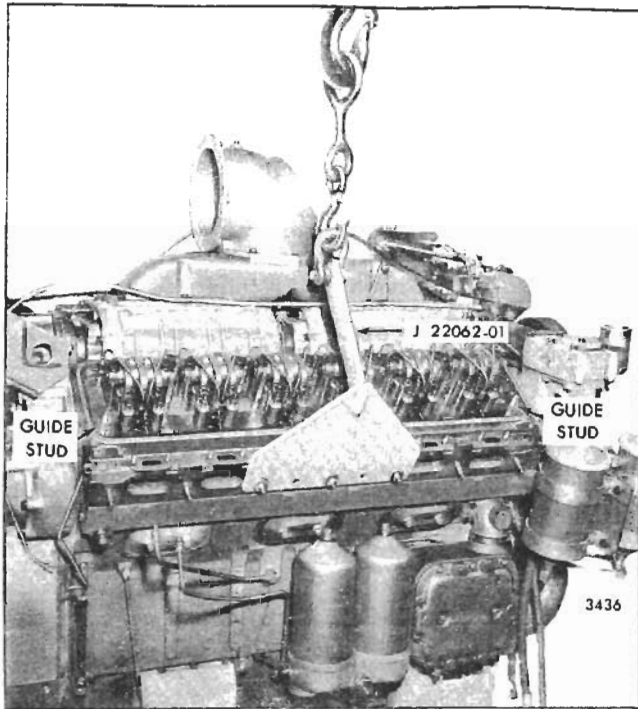


Fig. 5 - Removing or Installing Cylinder Head

and injector spray tips, if the injectors were not removed, by resting the valve side of the head on 2" wood blocks.

15. Remove and discard the cylinder head compression gaskets, support shims and the oil seals and water seals.

16. After the cylinder head has been removed, drain the lubricating oil from the engine. Draining the oil at this time will remove any coolant that may have worked its way to the oil pan when the head was removed.

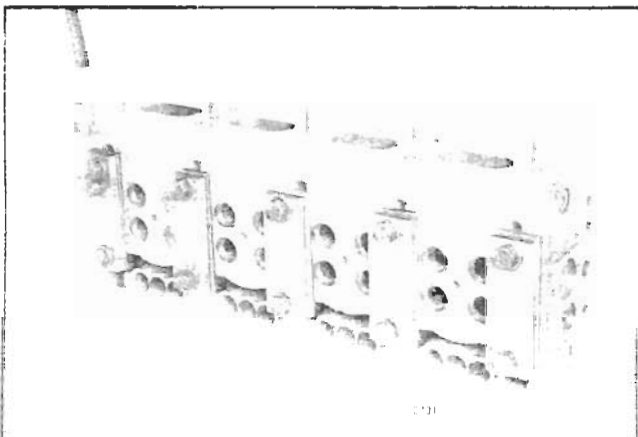


Fig. 6 - Cylinder Head Prepared for Pressure Testing

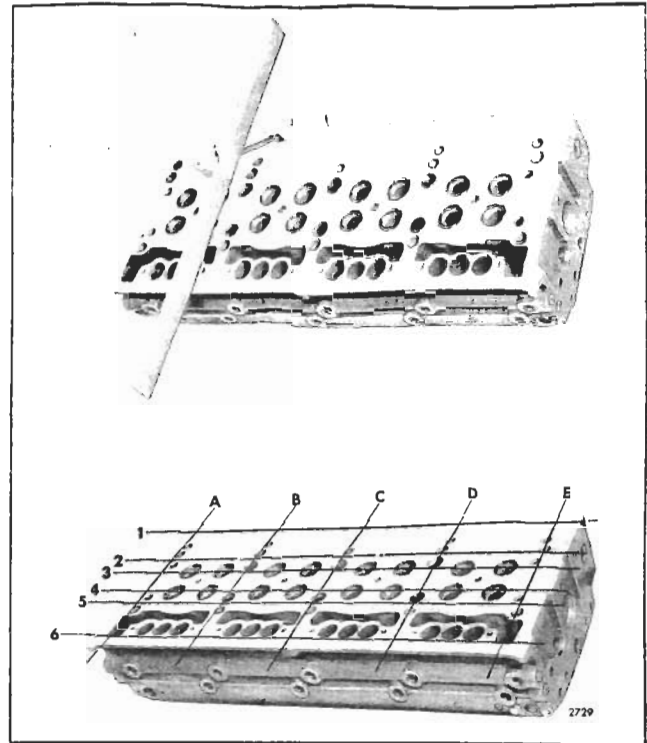


Fig. 7 - Checking Bottom Face of Cylinder Head

Disassemble Cylinder Head

If complete disassembly of the cylinder head is necessary, refer to Sections 1.2.1 and 1.2.2 for removal of the exhaust valve and injector operating mechanism.

Clean Cylinder Head

After the cylinder head has been disassembled and all of the plugs (except cup plugs) have been removed, thoroughly steam clean the head. If the water passages are heavily coated with scale, remove the injector tubes and water nozzles. Then clean the cylinder head in the same manner as outlined for cleaning the cylinder block (Section 1.1).

Clean all of the cylinder head components with fuel oil and dry them with compressed air.

Engine	Maximum Longitudinal Warp	Maximum Transverse Warp
6V	.0055"	.0040"
8V & 16V	.0080"	.0040"

TABLE 1

Loose or improperly seated injector tubes may result in compression leaks into the cooling system and also result in loss of engine coolant. The tubes must be tight to be properly seated. Refer to Section 2.1.4.

If a coolant leak develops at an injector hole tube, swaging tool J 28611 may be used to repair the leak without removing the cylinder head. Pressurize the cooling system at the radiator to verify existence of the leak. Then remove the injector and insert the tool in the injector tube. Strike the tool moderately two or three times with a one pound hammer. This will expand the top edge of the tube, increasing the "crush" on the seal ring. Install the injector and pressurize the cooling system again to determine if the leak has been stopped.

Overtightened injector clamp bolts may also cause head cracks. Always use a torque wrench to tighten the bolts to the specified torque.

Other conditions which may eventually result in cylinder head cracks are:

1. Excess fuel in the cylinders caused by leaking injectors.
2. Slipping fan belts can cause overheating by reducing air flow through the radiator.
3. Accumulation of dirt on the radiator core which will reduce the flow of air and slow the transfer of heat from the coolant to the air.
4. Inoperative radiator cap which will result in loss of coolant.

Remove Cylinder Head

Certain service operations on the engine require removal of the cylinder head:

1. Remove and install pistons.
2. Remove and install cylinder liners.
3. Remove and install exhaust valves.
4. Remove and install exhaust valve guides.
5. Recondition exhaust valves and valve seat inserts.
6. Replace fuel injector tubes.
7. Install new cylinder head gaskets and seals.
8. Remove and install crankshaft.

Due to the time and effort and labor involved in removal,

only the general steps for removal of a cylinder head are covered. If the engine is equipped with accessories that affect cylinder head removal, note the position of each before disconnecting or removing them to ensure correct re-installation. Then remove the cylinder head as follows:

1. Drain the cooling system.
2. Disconnect the exhaust piping at the exhaust manifold. On turbocharged engines, remove the connections from the exhaust manifold to the turbocharger. Remove the turbocharger, if necessary.
3. Disconnect the fuel lines at the cylinder head.
4. Loosen the hose clamps and remove the hose attached to the thermostat housing cover.
5. Loosen the hose clamps at each end of the water bypass tube and remove the tube.
6. Remove the thermostat housing assembly.
7. Clean and remove the valve rocker cover and governor cover.
8. Disconnect the fuel rod from the injector control tube lever and the governor. Remove the fuel rod.
9. Loosen the fuel rod cover hose clamps. Then slide the hose up on the fuel rod cover toward the governor.
10. Remove the exhaust manifold.
11. Remove the water manifold, if used.
12. Remove the injector control tube and brackets as an assembly.
13. If the cylinder head is to be disassembled for reconditioning of the exhaust valves and valve seat inserts or for a complete overhaul, remove the fuel pipes and injectors at this time. Refer to Section 2.1.3 for removal of the injectors.
14. Check the torque on the cylinder head bolts before removing the head. Then remove the nuts and washers and lift the cylinder head from the cylinder block with tool J 22062-01 (Fig. 38). If interference is encountered between the rear end of the right-hand cylinder head and any of the flywheel mounting bolts, insert the bolts and examine the condition of the compression gaskets and seals after the head is removed may reveal the cause of any unusual vibrations.

NOTE: When returning the cylinder head assembly on a bench, note the items following:

Inspect Cylinder Head

1. Pressure check the cylinder head as follows:

- Seal off the water holes in the head with steel plates and suitable rubber gaskets secured in place with bolts and washers as shown in Fig. 6. Drill and tap one of the cover plates for an air hose connection.
- Install scrap or dummy injectors to ensure proper seating of the injector tubes. Dummy injectors may be made from old injector nuts and bodies -- the injector spray tips are not necessary. Tighten the injector clamp bolts to 20-25 lb-ft (27-34 Nm) torque.
- Apply 40 psi (276 kPa) air pressure to the water jacket. Then immerse the cylinder head in a tank of water, previously heated to 180-200 °F (82-93 °C), for about twenty minutes to thoroughly heat the head. Observe the water in the tank for bubbles which indicate a leak or crack. Check for leaks at the top and bottom of the injector tubes, oil gallery, exhaust ports, fuel manifolds and at the top and bottom of the cylinder head.
- Relieve the air pressure and remove the cylinder head from the water tank. Then remove the plates, gaskets and injectors and dry the head with compressed air.
- If the pressure check revealed any cracks, install a new cylinder head.

2. Check the bottom (fire deck) of the cylinder head for flatness:

- Use a heavy, accurate straight-edge and feeler gages, tool J 3172, to check for transverse warpage at each end and between all cylinders. Also check for longitudinal warpage in six places as shown in Fig. 7. Refer to Table 1 for maximum allowable warpage.

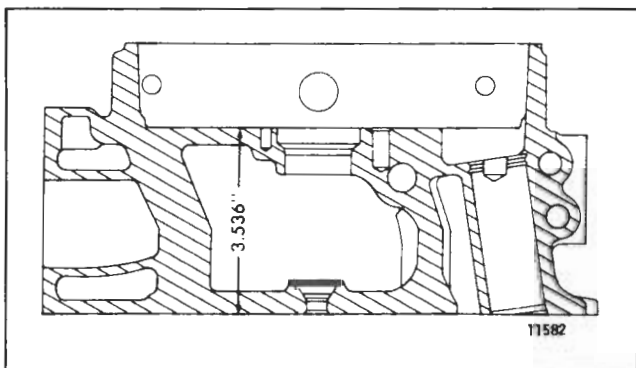


Fig. 8 - Minimum Distance Between Top and Bottom Faces of Cylinder Head

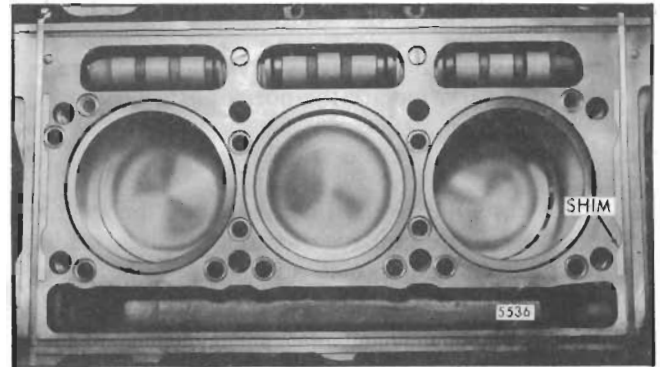


Fig. 9 - Cylinder Head Support Shims in Place

- Use the measurements obtained and the limits given in Table 1 as a guide to determine the advisability of re-installing the head on the engine or of refacing it. The number of times a cylinder head may be refaced will depend upon the amount of stock previously removed.
- If the cylinder head is to be refaced, remove the injector tubes prior to machining. Do not remove more than .020 " (total) of metal from the fire deck of any cylinder head. The distance from the top deck to the bottom (fire deck) of the cylinder head must not be less than 3.536 " (Fig. 8). Stamp the amount of stock removed on the face of the fire deck near the outer edge of the head, in an area not used as a sealing surface.

NOTE: When a cylinder head has been refaced, critical dimensions such as the protrusion of valve seat inserts, exhaust valves, injector tubes and injector spray tips must be checked and corrected. The push rods must also be adjusted to prevent the exhaust valves from striking the pistons after the cylinder head is re-installed in the engine. Also, de-burr the water nozzles.

3. Install new injector tubes (Section 2.1.4) if the old tubes leaked or the cylinder head was refaced.

4. Inspect the exhaust valve seat inserts and valve guides (refer to Section 1.2.2).

5. Inspect the cam follower bores in the cylinder head for scoring or wear. Light score marks may be cleaned up with crocus cloth wet with fuel oil. Measure the bore diameters with a telescope gage and micrometer and record the readings. Measure the diameter of the cam followers with a micrometer, record and compare the readings of the cam followers and bores to determine the follower-to-bore clearances (refer to Section 1.0). The cam follower-to-cylinder head clearance must not exceed .006 " with used parts (refer

to Section 1.0 for specifications). If the bores are excessively scored or worn, replace the cylinder head.

6. Check the water hole nozzles to be sure they are not loose. If necessary, replace the nozzles as follows:

- a. Remove the old nozzles.
- b. Make sure the water inlet ports in the cylinder head are clean and free of scale. The intermediate nozzle holes are reamed and must not be cleaned with a drill. This could result in leakage of water into the lubricating oil. Use a soft bristle brush to clean the intermediate water nozzle holes.
- c. Install new nozzles with installing tool J 24857.
- d. Figure 4 shows the location and position of the nozzles in the cylinder head. The nozzles must be .004 " recessed to flush with the bottom face of the cylinder head and the sealing area of the cylinder head around the nozzles flat within .002 ".

7. Replace broken or damaged studs. Apply sealant to the threads of new studs and drive them to 10-25 lb-ft (14-34 Nm) torque (water manifold cover studs) or to 25-40 lb-ft (34-54 Nm) torque (exhaust manifold studs).

8. Pilot sleeves are used in the mounting bolt hole at each end of the cylinder head (on the camshaft side of the head). Make sure the sleeves are flush or recessed below the fire deck of the cylinder head. Replace damaged sleeves. The sleeves, which act as a hollow dowel to provide a closer fit between the mounting bolts and the cylinder head, help to guide the head in place without disturbing the seals and gaskets.

9. Inspect all other components removed from the cylinder head.

If a service replacement cylinder head is to be installed, it must be thoroughly cleaned of all rust preventive compound, particularly inside the integral fuel manifolds, before installing the plugs. A simple method of removing the rust preventive compound is to immerse the head in mineral spirits or fuel oil, then scrub the head and go through all of the openings with a soft bristle brush. A suitable brush for cleaning the various passages in the head can be made by attaching a 1/8 " diameter brass rod to brush J 8152. After cleaning, dry the cylinder head with compressed air.

A service replacement cylinder head includes the exhaust valve guides, valve seat inserts, water nozzles, injector tubes, pilot sleeves, bridge guides, valve spring seats and the necessary plugs. In addition, shims strips, studs, cover plates, gaskets, lock washers and nuts are provided to seal the water outlet openings that are not

required on certain engines. A length of flexible fuel hose and fittings are also included where required.

Assemble Cylinder Head

After cleaning and inspection, assemble the cylinder head as follows:

1. Refer to the *Cylinder Head Plugging Chart* shown as a fold-out at the end of this manual and install the necessary plugs and tighten them to the specified torque (Section 1.0). Drive headless plugs flush to .0625 " below the surface of the cylinder head. The 3/8 " socket head oil gallery plug, at each end of the head, must not protrude more than .0625 ", and a .2187 " diameter rod placed in the vertical oil feed hole must pass the inner face of the plug.

NOTE: Coat the threads of the plugs with Loctite Pipe Sealant with Teflon.

2. After the following parts are cleaned and inspected, and replaced if necessary, re-install them in the old cylinder head or transfer them to the new head.

- a. Exhaust valves, valve seat inserts and springs (Section 1.2.2).
- b. Cam followers, guides, push rods, springs, retainers, rocker arms, shafts, brackets and other related parts (Section 1.2.1).
- c. Place new washers on the fuel connectors. Then install the connectors and tighten them to 40-45 lb-ft (54-61 Nm) torque.
- d. The fuel injectors, fuel pipes, injector control tube assembly and water manifold, if used, can be installed at this time or after the cylinder head is installed on the engine.

Pre-Installation Inspection

Make the following inspections just prior to installing the cylinder head whether the head was removed to service only the head or to facilitate other repairs to the engine.

1. Check the cylinder liner flange heights with relationship to the cylinder block (Section 1.6.3).
2. Make sure the piston crowns are clean and free of foreign material.
3. Make sure that each push rod is threaded into its clevis until the end of the push rod projects through the clevis. This is important since serious engine

damage will be prevented when the crankshaft is rotated during engine tune-up.

4. Check the cylinder block and cylinder head gasket surfaces, counterbores and seal grooves to be sure they are clean and free of foreign material. Also check to ensure that there are no burrs or sharp edges in the counterbores.

5. Inspect the cylinder head bolt holes in the block for accumulation of water, oil or any foreign material. Clean the bolt holes thoroughly and check for damaged threads.

NOTE: The 2.00" diameter cup plug (thermostat housing end) in a new service head for the 6V and 8V engine must be removed prior to installation to prevent blocking the coolant flow out of the head.

Install Cylinder Head

1. Install the water and oil seal rings, support shims and compression gaskets as follows:

- a. Place a new compression gasket on top of each cylinder liner.

NOTE: New compression gaskets are color coded (red, black or no-paint) on the outside diameter to identify gaskets in a particular thickness range. Only gaskets of one color code should be used under any one cylinder head. It is also important that the liner height be checked (refer to Section 1.6.3). There must not be over .0015" difference between any two

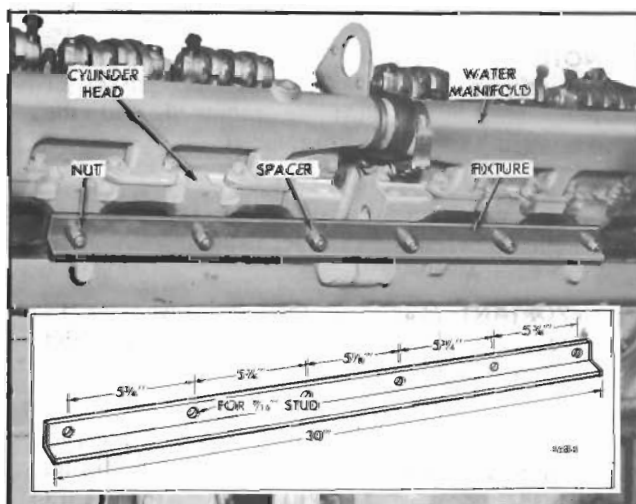


Fig. 10 - Cylinder Head Alignment Fixture for 16V Engine

adjacent liners when measured along the cylinder longitudinal center line.

- b. To prevent end cylinder head bolt breakage, support shims (Fig. 9) are attached at each end of the cylinder block (two per cylinder bank). Remove the adhesive paper and place the support shims, adhesive side down, in position at each end of the cylinder block.

IMPORTANT: The scallop in the shim placed at the rear of the block must be at the oil supply hole (Fig. 9).

- c. Place new seal rings in the counterbores of the water and oil holes in the cylinder block.
- d. Install a new oil seal in the groove at the perimeter of the cylinder block. The seal must lay flat in the groove and must not be twisted. Do not stretch the seal and do not use any adhesive or other material to secure it in the groove.

NOTE: Installing the seal strip in the groove with the colored stripe facing away from the cylinder bores can improve its sealing capabilities.

NOTE: Never install used compression gaskets or seals.

2. To install the cylinder head on the engine without disturbing the gaskets and seals, install guide studs J 24748 in two outboard corner bolt holes in the cylinder block. Do not install guide studs in the bolt holes which line-up with the pilot sleeves in the head.

3. Attach lifting tool J 22062-01 to the cylinder head and lift the head into position above the cylinder block.

4. Make a final visual check of the compression gaskets, seals and shims to ensure that they are in place before the cylinder head is lowered. This is a very important check. Gaskets and seals which are not seated properly will cause leaks and "blow-by" and result in poor engine performance and damage to the engine. Shim strips not in place can result in broken cylinder head bolts.

5. Wipe the bottom of the cylinder head clean. Then lower the head until it is about 1/2" from the surface of the cylinder block.

6. Apply a small amount of International Compound No. 2, or equivalent, to the threads and underside of the head of all cylinder head attaching bolts. Then install a bolt and washer through each piloting sleeve at the inboard corners of the head and thread them finger tight into the cylinder block. Continue to tighten

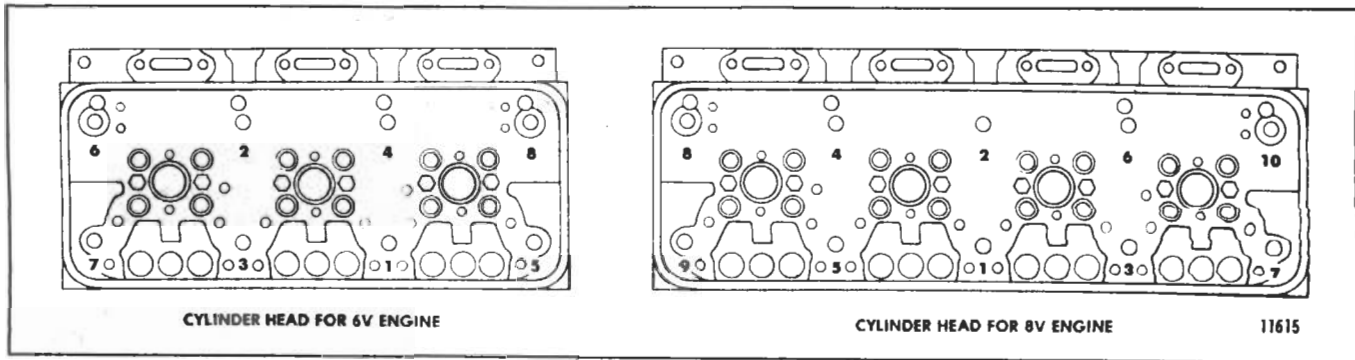


Fig. 11 - Cylinder Head Bolt Tightening Sequence

these bolts (finger tight) as the head is lowered into position on the cylinder block.

NOTE: Cylinder head bolts are especially designed for this purpose and must not be replaced by ordinary bolts.

7. After the head is in place, remove the guide studs and the lifting fixture and install the remaining bolts and washers, running the bolts down snug (15-20 lb-ft or 20-27 Nm torque) with a speed handle.

NOTE: To prevent misalignment of the cylinder heads on 16V engines, use an alignment fixture as shown in Fig. 10. Install the cylinder heads

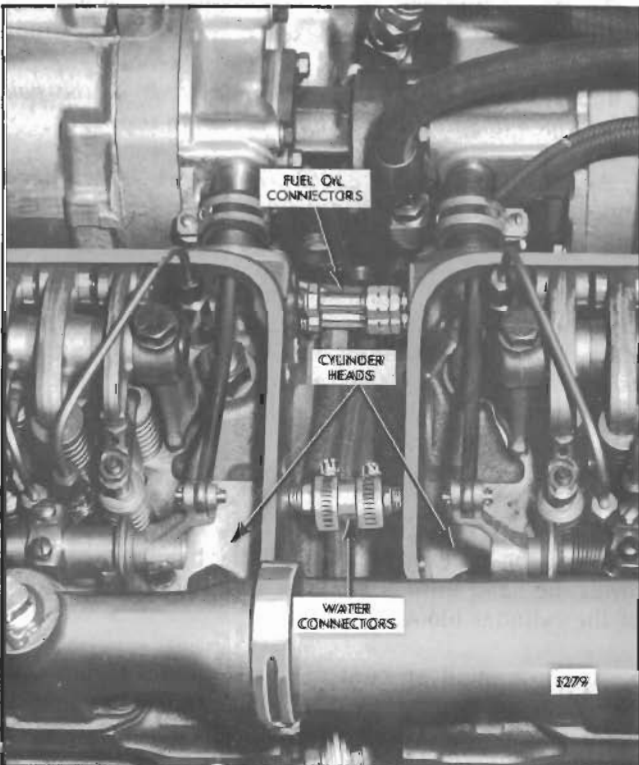


Fig. 12 - Fuel and Water Connections (16V Engine)

with the attaching bolts finger tight. Then install the fixture and tighten the bolts to the specified torque. Remove the fixture and proceed with assembly of the engine.

8. Tighten the 11/16"-11 bolts to 250-260 lb-ft (339-352 Nm) torque, in increments of 50 lb-ft (68 Nm) torque, in the sequence shown in Fig. 11. Repeat the tightening sequence at least once, because the first bolts tightened in the sequence tend to lose significant clamp load during tightening of the remaining bolts. Apply a steady pressure for two or three seconds at the prescribed torque to allow the bolts to turn while the gaskets yield to their final designed thickness. For 16V engines, follow the sequence shown for an 8V engine. *Begin on the cam follower side of the head to take up tension in the push rod springs.* Tighten the bolts to the high side of the torque specification, but do not exceed the limit or the bolts may stretch beyond their elastic limits. Attempting to tighten the bolts in one step may result in trouble and consequent loss of time in diagnosis and correction of difficulties, such as compression leaks, when the engine is put into operation.

NOTE: Tightening the cylinder head bolts will not correct a leaking compression gasket or seal. The head must be removed and the damaged gasket or seal replaced.

9. On 16V engines, install the fuel and water connectors between the cylinder heads.

IMPORTANT: Make sure the tapped holes in the water hole plugs in the ends of the cylinder heads are in alignment.

NOTE: Dry seal connectors are used at the fuel connection (Fig. 12) between the cylinder heads.

10. If the fuel injectors were not previously installed, refer to Section 2.1.1 and install them at this time.

11. Adjust the exhaust valve bridges as outlined in Section 1.2.2.

12. Tighten the rocker arm bracket bolts to the specified torque (Section 1.0).

13. Align the fuel pipes and connect them to the injectors and the fuel connectors. Use socket J 8932-01 to tighten the connections to 12-15 lb-ft (16-20 Nm) torque.

NOTE: Do not bend the fuel pipes and do not exceed the specified torque. Excessive tightening will twist or fracture the flared ends of the fuel pipes and result in leaks. Lubricating oil diluted by fuel oil can cause serious damage to the engine bearings.

14. Set the injector control tube assembly in place on the cylinder head and install the attaching bolts finger tight. When positioning the control tube, be sure the ball end of each injector rack control lever engages the slot in the corresponding injector control rack. With one end of the control tube return spring hooked around an injector rack control lever and the other end hooked around a control tube bracket, tighten the bracket bolts to 10-12 lb-ft (14-16 Nm) torque.

15. After tightening the bolts, revolve the injector control tube to be sure the return spring pulls the injector racks out (no-fuel position) after they have been moved all the way in (full-fuel position). Since

the injector control tube is mounted in self-aligning bearings, tapping the tube lightly will remove any bind that may exist. The injector racks *must* return to the no-fuel position freely by aid of the return spring only. *Do not bend the spring.* If necessary, replace the spring.

16. Install the fuel rods. Then slide the fuel rod cover hoses in place and tighten the clamps.

17. Connect the fuel lines.

18. Install the thermostat housing and thermostat.

19. Install the water manifold, if used.

20. Install the water by-pass tube, hoses and clamps.

21. Install the thermostat housing cover, hose and clamps.

22. Install the exhaust manifold and connect the exhaust piping.

23. Install any other equipment that was previously removed.

24. Refer to Section 13.1 under *Preparation for Starting Engine First Time* and fill the cooling system and lubrication system.

25. Before starting the engine, perform an engine tune-up as outlined in Section 14.



VALVE AND INJECTOR OPERATING MECHANISM

Three rocker arms are provided for each cylinder; the two outer arms operate the exhaust valves and the center arm operates the fuel injector.

Each set of three rocker arms pivots on a shaft supported by two brackets. A single bolt secures each bracket to the top of the cylinder head. Removal of the two bracket bolts permits the rocker arm assembly for one cylinder to be raised, providing easy access to the fuel injector and the exhaust valve springs.

The rocker arms are operated by a camshaft through cam followers and short push rods extending through the cylinder head (Fig. 1).

Each cam follower operates in a bore in the cylinder head. A guide for each set of three cam followers is attached to the bottom of the cylinder head to retain the cam followers in place and to align the cam follower rollers with the camshaft lobes.

A coil spring, inside of each cam follower, maintains a pre-determined load on the cam follower to ensure contact of the cam roller on the camshaft lobe at all times.

Lubrication

The valve and injector operating mechanism is lubricated by oil from a longitudinal oil passage on the camshaft side of the cylinder head, which connects with the main oil gallery in the cylinder block. Oil from this passage flows through drilled passages in the rocker shaft bracket bolts to the passages in the rocker arm shaft to lubricate the rocker arms (Fig. 2).

Overflow oil from the rocker arms lubricates the exhaust valves, valve bridges and cam followers. The oil then drains from the top deck of the cylinder head through oil holes in the cam followers, into the camshaft pockets in the cylinder block and back to the oil pan.

The cam follower rollers are lubricated with oil from the cam followers, oil picked up by the camshaft lobes and by oil emitted under pressure from milled slots in the camshaft intermediate bearings.

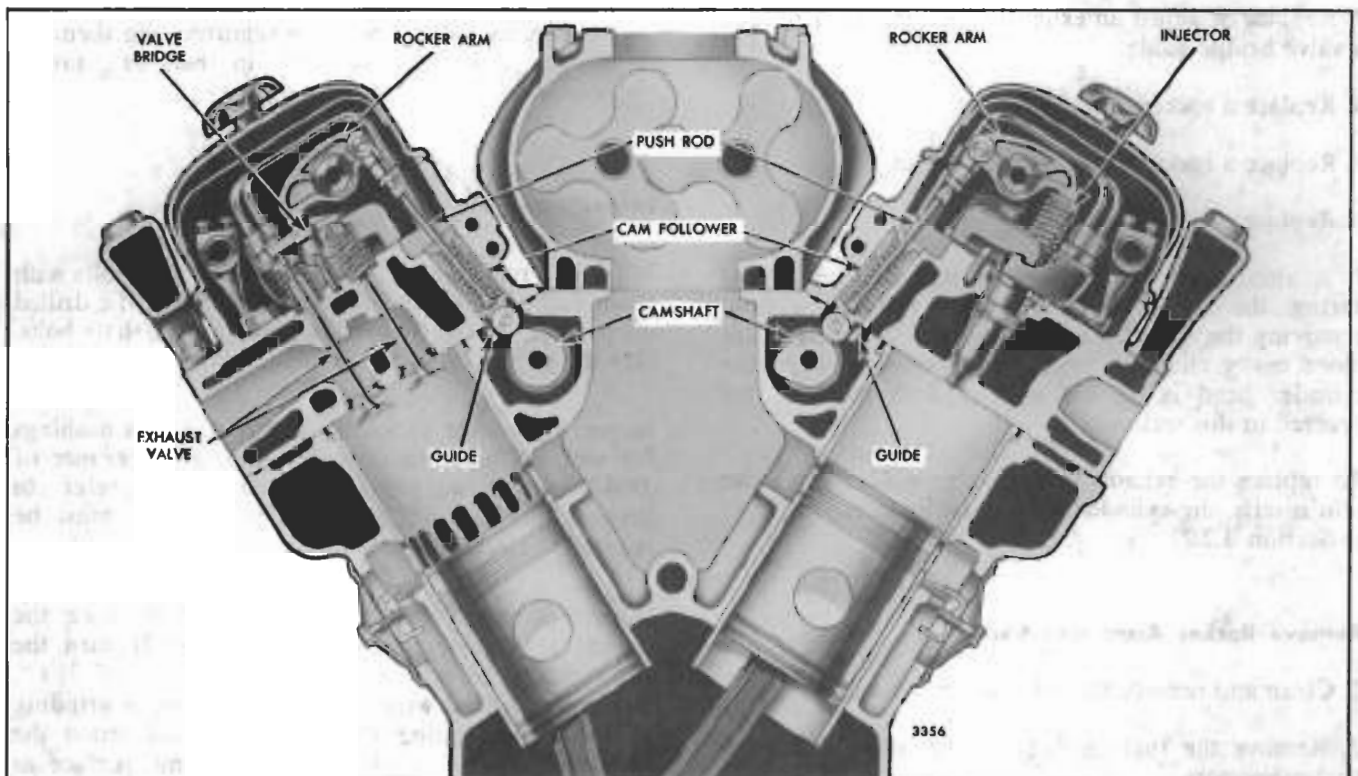


Fig. 1 - Valve and Injector Operating Mechanism

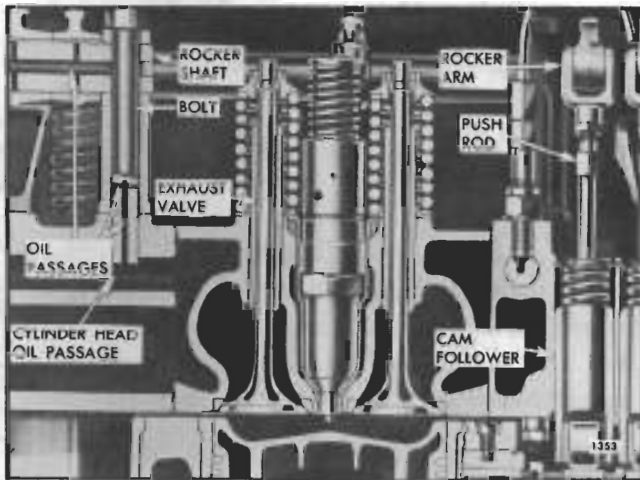


Fig. 2 - Lubrication of Valve Operating Mechanism

Service

Some service operations may be performed on the valve and injector operating mechanism without removing the cylinder head:

1. Adjust valve clearance.
2. Replace a valve spring.
3. Replace or adjust an exhaust valve bridge or replace a valve bridge guide.
4. Replace a rocker arm.
5. Replace a rocker arm shaft or bracket.
6. Replace a fuel injector.

It is also possible to replace a push rod, push rod spring, the spring seats or a cam follower without removing the cylinder head. However, these parts are more easily changed from the lower side when the cylinder head is off the engine. Both methods are covered in this section.

To replace the exhaust valves, valve guides and valve seat inserts, the cylinder head must be removed (refer to Section 1.2.2).

Remove Rocker Arms and Shaft

1. Clean and remove the valve rocker cover.
2. Remove the fuel pipes from the injector and the fuel connectors.

NOTE: Immediately after removing the fuel pipes, cover the injector fuel inlet and outlet

openings with shipping caps to prevent dirt or foreign material from entering.

3. Turn the crankshaft, or crank the engine with the starting motor, to bring the injector and valve rocker arms in line horizontally.

NOTE: Do not bar the crankshaft in a left-hand direction of rotation with a wrench or barring tool on the crankshaft bolt, or the bolt may loosen.

4. Remove the two bolts which secure the rocker arm shaft brackets to the cylinder head. Remove the brackets and shaft.

NOTE: When removing the rocker arm shaft, fold the three rocker arms back just far enough so the shaft can be removed. *Do not force the rocker arms all the way back with the shaft in place as this may impose a load that could bend the push rods.*

5. Loosen the lock nuts at the upper ends of the push rods, next to the clevises, and unscrew the rocker arms from the push rods.

NOTE: If the rocker arms and shafts from two or more cylinders are to be removed, tag them so they may be re-installed in their original positions.

Inspection

Wash the rocker arms, shaft, brackets and bolts with clean fuel oil. Use a small wire to clean out the drilled oil passages in the rocker arms and rocker shaft bolts. Dry the parts with compressed air.

Inspect the rocker arm shaft and rocker arm bushings for wear. A maximum shaft to bushing clearance of .004" is allowable with used parts (refer to Section 1.0). Service replacement bushings must be reamed to size after installation.

Inspect the rocker arms for galling or wear on the pallets (valve or injector contact surfaces). If worn, the surface may be refaced up to a maximum of .010". However, proceed with caution when surface grinding to avoid overheating the rocker arm. Maintain the radius and finish as close to the original surface as possible. Also inspect the valve bridges for wear.

Inspect the rocker arm shaft brackets for cracks.

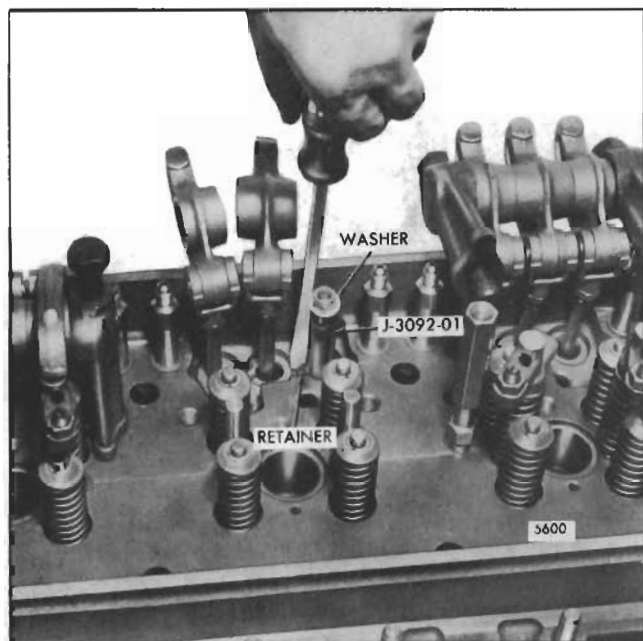


Fig. 3 - Removing Push Rod from Upper Side of Cylinder Head

Remove Cam Follower and Push Rod (with Cylinder Head on Engine)

When removing the cam followers and associated parts, tag them so they may be re-installed in their original location.

To remove a push rod, spring, spring seats and cam follower from the top of the cylinder head, proceed as follows:

1. Remove the rocker arm shaft and brackets as outlined under *Remove Rocker Arms and Shaft*.
2. Loosen the lock nut and unscrew the rocker arm from the push rod to be removed. Remove the lock nut.
3. Install remover J 3092-01, a flat washer and the lock nut on the push rod, with the lower end of the tool resting on the upper spring seat.
4. **Thread the nut down** to compress the spring.
5. **Remove the spring seat retainer** from the groove in the cylinder head (Fig. 3).
6. **Unscrew the lock nut** to release the spring. Then **remove the nut, flat washer and tool** from the push rod.
7. Pull the push rod, spring, spring seats and cam follower out of the cylinder head.

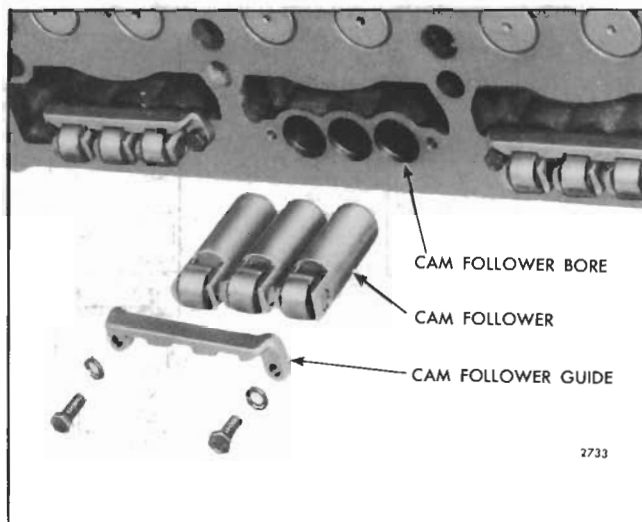


Fig. 4 - Cam Followers and Guide

Remove Cam Follower and Push Rod (Cylinder Head Removed)

When removing the cam followers and associated parts, tag them so they may be re-installed in their original location.

1. Rest the cylinder head on its side (Fig. 4) and remove the cam follower guide.
2. Pull the cam follower out of the cylinder head.
3. Remove the fuel pipes from the injector and the fuel connectors.

NOTE: Immediately after removing the fuel pipes, cover the injector fuel inlet and outlet openings with shipping caps to prevent dirt or foreign material from entering.

4. Loosen the push rod lock nut and unscrew the push rod from the rocker arm clevis.
5. Pull the push rod and spring assembly from the bottom of the cylinder head.
6. **Remove the push rod lock nut, spring and spring seats** from the push rod.

If the cylinder head is to be replaced, remove the spring retainers and install them in the new head.

Inspection

Proper inspection and service of the cam follower is very necessary to obtain continued efficient engine performance. When any appreciable change in injector timing or exhaust valve clearance occurs

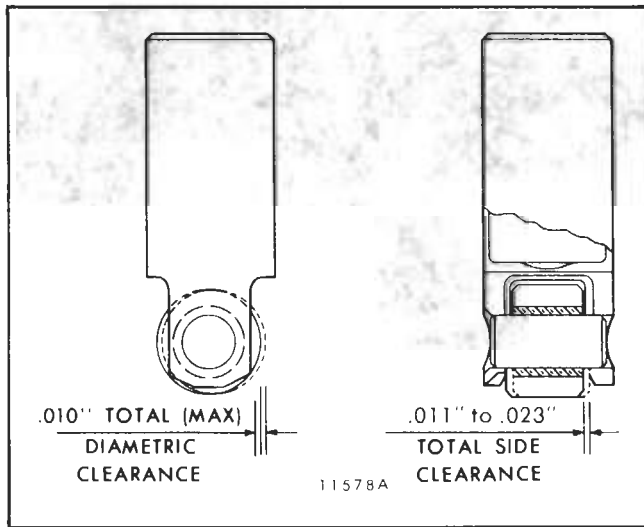


Fig. 5 - Cam Roller Clearances

during engine operation, remove the cam followers and their related parts and inspect them for excessive wear. This change in injector timing or valve clearance can usually be detected by excessive noise at idle speed.

Wash the cam followers with lubricating oil or Cindol 1705 and wipe dry. *Do not use fuel oil.* Fuel oil working its way in between the cam roller bushing and pin may cause scoring on initial start-up of the engine

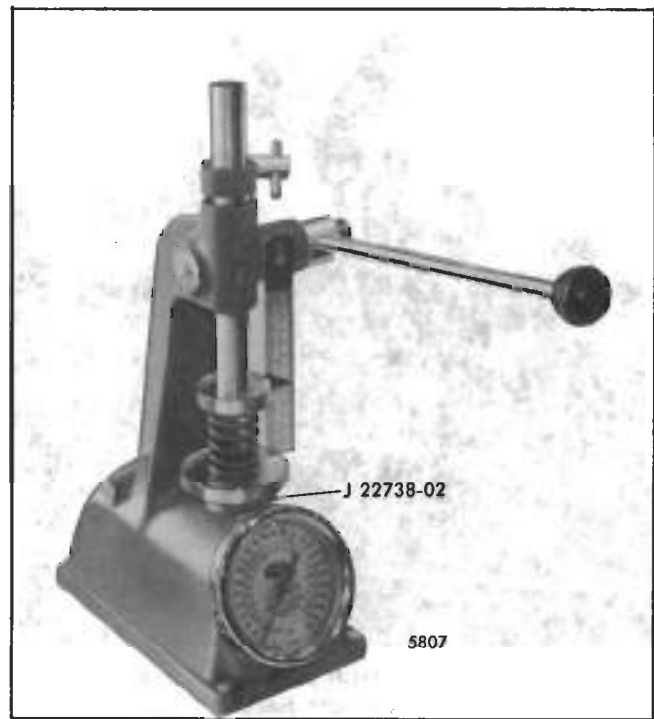


Fig. 6 - Testing Cam Follower Spring

since fuel oil does not provide adequate lubrication. The push rods, springs and spring seats may be washed with clean fuel oil and dried with compressed air.

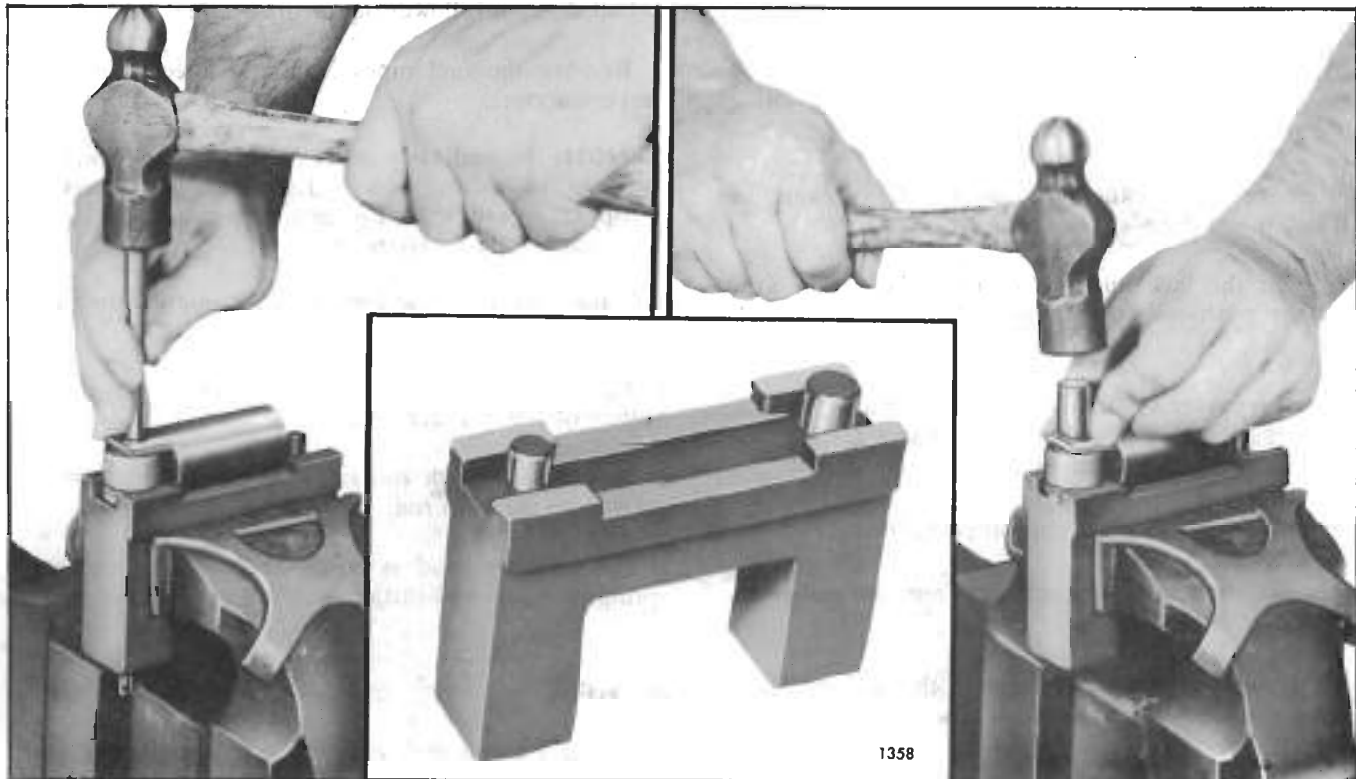


Fig. 7 - Removing or Installing Cam Follower Roller and Pin

Examine the cam follower rollers for scoring, pitting or flat spots. The rollers must turn freely on their pins. Measure the total diametric clearance and side clearance. Install a new roller and pin if the clearances exceed those specified in Fig. 5.

Examine the camshaft lobes for scoring, pitting or flat spots. Replace the camshaft if necessary.

Measure the cam follower bores in the cylinder head with a telescope gage and micrometer and record the readings. Measure the diameter of the cam followers with a micrometer. Record the readings and compare the readings of the followers and bores to determine the cam follower-to-bore clearances (refer to Section 1.0 for specifications).

Inspect the push rods and spring seats for wear. The push rods have milled wrench flats and a bright "turned" finish and the lower spring seats are serrated along the push rod contact surfaces.

Examine the cam follower springs for wear or damage and check the spring load. Replace a spring when a load of less than 250 lbs. (1112 N) will compress it to a length of 2.1406". Use spring tester J 22738-02 to check the spring load (Fig. 6).

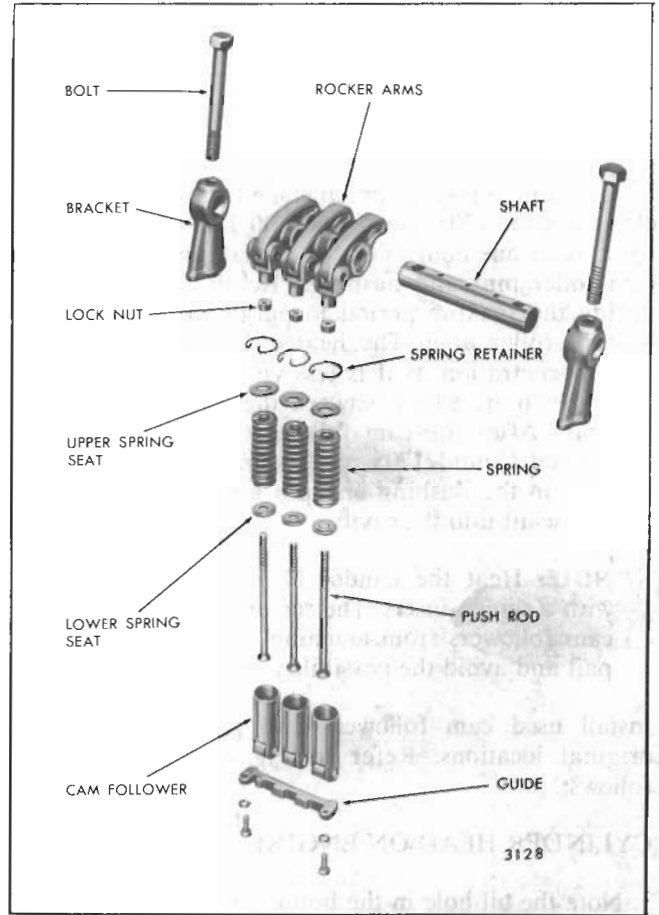


Fig. 8 - Valve and Injector Operating Mechanism and Relative Location of Parts

Replace Cam Roller and Pin

To replace a cam roller and pin, proceed as follows:

1. Clamp fixture J 5840-01 securely in a vise as shown in Fig. 7. Then place the cam follower in the groove in the top of the fixture, with the follower pin resting on top of the corresponding size plunger in the fixture.
2. Drive the pin from the roller with a suitable drift. Exercise caution in removing the cam follower body and roller from the fixture as the roller pin is seated on a spring-loaded plunger in the fixture.
3. Before installing the new roller and pin, remove the preservative by washing the parts with clean lubricating oil or Cindol 1705 and wipe dry. Do not use fuel oil. After washing the parts, lubricate the roller and pin with Cindol 1705.
4. Position the cam follower body in the groove of the fixture, with the small plunger extending through the roller pin hole in the lower leg of the follower body.
5. Position the new cam roller in the cam follower body. When released, the plunger will extend into the roller bushing and align the roller with the cam follower body.

6. Start the new pin in the cam follower body, then carefully tap it in until it is centered in the cam follower body.

7. Remove the cam follower from the fixture and check the side clearance (Fig. 5). The clearance must be .011" to .023".

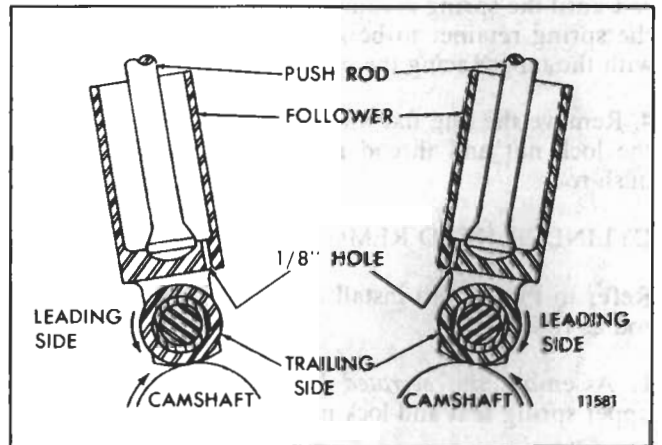


Fig. 9 - Installation of Cam Followers

Install Cam Follower and Push Rod

If new cam follower assemblies are to be installed, remove the preservative by washing with Cindol 1705 and wipe dry. *Do not use fuel oil.*

Before cam followers are installed, immerse them in clean Cindol 1705 (heated to 100-125 °F or 38-52 °C) for at least one hour to ensure initial lubrication of the cam roller pins and bushings. Rotate the cam rollers during the soaking period to purge any air from the bushing-roller area. The heated Cindol oil results in better penetration as it is less viscous than engine oil and flows more easily between the cam roller bushing and pin. After the cam followers are removed from the heated Cindol 1705, the cooling action of any air trapped in the bushing and pin area will tend to pull the lubricant into the cavity.

NOTE: Heat the Cindol 1705 in a small pail with a screen insert. The screen will prevent the cam followers from touching the bottom of the pail and avoid the possibility of contamination.

Install used cam followers and push rods in their original locations. Refer to Fig. 8 and proceed as follows:

CYLINDER HEAD ON ENGINE:

1. Note the oil hole in the bottom of the cam follower. With the oil hole directed away from the exhaust valves (Fig. 9), slide the cam follower in position in the cylinder head.
2. Assemble the *serrated* lower spring seat, spring and upper spring seat on the push rod.
3. Place a flat washer over the upper spring seat and start the lock nut on the push rod. Place tool J 3092-01 on the push rod between the washer and the upper spring seat and place the push rod assembly in the cam follower. Then thread the lock nut on the push rod until the spring is compressed sufficiently to permit the spring retainer to be installed. Install the retainer with the tangs facing the notch in the cylinder head.
4. Remove the nut, flat washer and tool. Then reinstall the lock nut and thread it as far as possible on the push rod.

CYLINDER HEAD REMOVED FROM ENGINE:

Refer to Fig. 8 and install the cam follower and push rod as follows:

1. Assemble the *serrated* lower spring seat, spring, upper spring seat and lock nut on the push rod.
2. With the spring retainer in place in the cylinder

head, slide the push rod assembly in position from the bottom of the head.

3. Note the oil hole in the bottom of the cam follower. With the oil hole directed away from the exhaust valves (Fig. 9), slide the cam follower in position from the bottom of the head.

4. Attach the follower guide to the cylinder head to hold the group of three cam followers in place. Check to make sure there is clearance between the cam followers and the cam follower guide. Tighten the guide bolts to 12-15 lb-ft (16-20 Nm) torque.

NOTE: It is important to use the correct bolt as specified in the Parts Book. The hardened bolt is necessary to obtain the proper torque and to withstand the stress imposed on it during engine operation.

Install Rocker Arms and Shaft

Note that the injector rocker arm (center arm of the group) is slightly different from the exhaust valve rocker arms; the boss for the shaft on the left and right-hand valve rocker arms is longer on one side. The extended boss of each valve rocker arm must face toward the injector rocker arm. The exhaust valve rocker arms also have a flat spot beneath the rocker shaft hole to ensure clearance with the valve bridge.

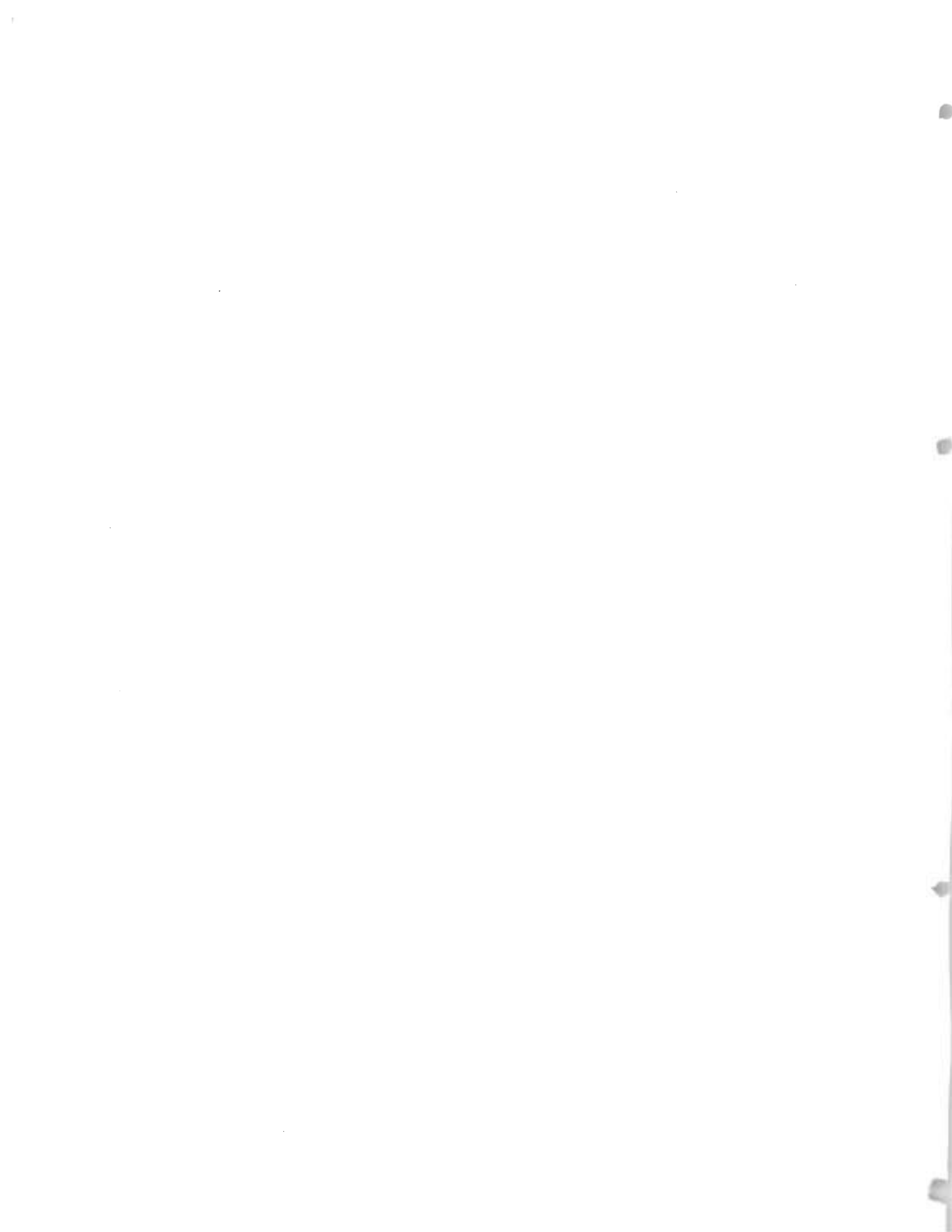
1. Thread each rocker arm on its push rod until the end of the push rod is flush with or above the inner side of the clevis yoke. This will provide sufficient initial clearance between the exhaust valve and the piston when the crankshaft is turned during the valve clearance adjustment procedure.
2. If removed, install the cylinder head on the engine (refer to Section 1.2).
3. Lubricate the valve bridge guides with sulphurized oil (E.P. type) and position the valve bridges in place on the guides. Refer to *Exhaust Valve Bridge Adjustment* in Section 1.2.2 and adjust the valve bridges.
4. If removed, install the fuel injectors.
5. Apply clean engine oil to the rocker arm shaft and slide the shaft through the rocker arms. Then place a bracket over each end of the shaft, with the finished face of the bracket next to the rocker arm.
6. Insert the rocker arm bracket bolts through the brackets and the shaft. Tighten the bolts to the specified torque (refer to Section 1.0).
7. Align the fuel pipes and connect them to the

injectors and fuel connectors. Tighten the fuel pipe nuts to 12-15 lb-ft (16-20 Nm) torque using socket J 8932-01.

NOTE: Do not bend the fuel pipes and do not exceed the specified torque. Excessive tightening will twist or fracture the flared ends of the fuel pipes and result in leaks. Lubricating oil diluted

by fuel oil can cause serious damage to the engine bearings.

8. Fill the cooling system.
9. Adjust the exhaust valve clearance (Section 14.1) and time the injectors (Section 14.2)
10. If necessary, perform an engine tune-up.



EXHAUST VALVES

Four exhaust valves are provided for each cylinder (Fig. 1). The valve heads are heat treated and ground to the proper seat angle and diameter. The valve stems are ground to size and hardened at the end which contacts the exhaust valve bridge.

The exhaust valve stems are contained within exhaust valve guides which are pressed into the cylinder head (Fig. 2).

Exhaust valve seat inserts, pressed into the cylinder head, permit accurate seating of the exhaust valves under varying conditions of temperature and materially prolong the life of the cylinder head (Fig. 2).

The exhaust valve springs are held in place by the valve spring caps and tapered two-piece valve locks (Fig. 2).

Excess oil from the rocker arms lubricates the exhaust valve stems. The valves are cooled by the flow of air from the blower past the valves each time the air inlet ports are uncovered.

Exhaust Valve Maintenance

Efficient combustion in the engine requires that the exhaust valves be maintained in good operating condition. Valve seats must be true and unpitted to assure leakproof seating, valve stems must work freely and smoothly within the valve guides and the correct valve clearance (Section 14.1) must be maintained.

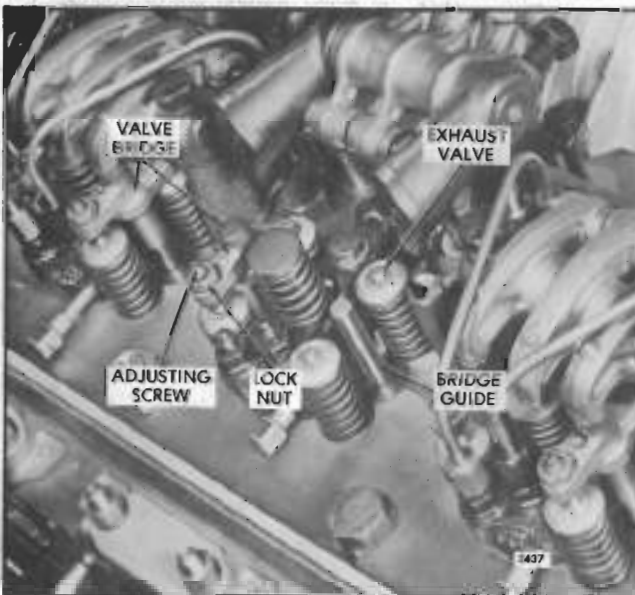


Fig. 1 - Location of Exhaust Valves

Proper maintenance and operation of the engine is important to long valve life. Engine operating temperature should be maintained between 160-185 °F (71-85 °C). Low operating temperatures (usually due to extended periods of idling or light engine loads) result in incomplete combustion, formation of excessive carbon deposits and fuel lacquers on valves and related parts, and a greater tendency for lubricating oil to sludge.

Unsuitable fuels may also cause formation of deposits on the valves, especially when operating at low temperatures.

When carbon deposits, due to partially burned fuel, build up around the valve stems and extend to that portion of the stem which operates in the valve guide, sticking valves will result. Thus, the valves cannot seat properly and pitted and burned valves and valve seats and loss of compression will result.

Lubricating oil and oil filters should be changed periodically to avoid the accumulation of sludge.

Valve sticking may also result from valve stems which have been scored due to foreign matter in the lubricating oil, leakage of antifreeze (glycol) into the lubricating oil which forms a soft sticky carbon and gums the valve stems, and bent or worn valve guides. Sticking valves may eventually be struck by the piston and become bent or broken.

It is highly important that injector timing and valve clearance be accurately adjusted and checked periodically. Improperly timed injectors or tightly adjusted valves will have adverse effects upon combustion.

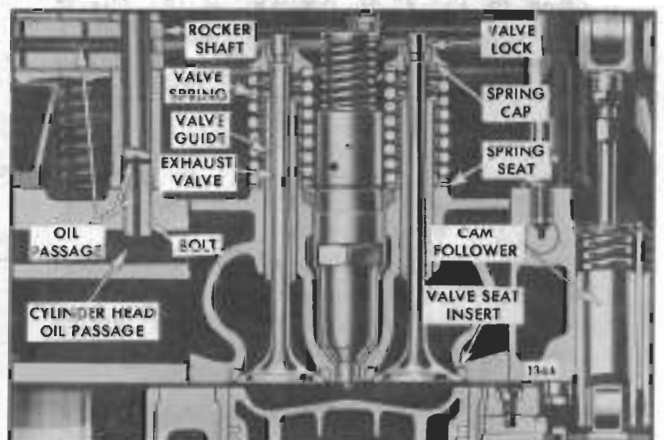


Fig. 2 - Assembly of Exhaust Valves and Guides

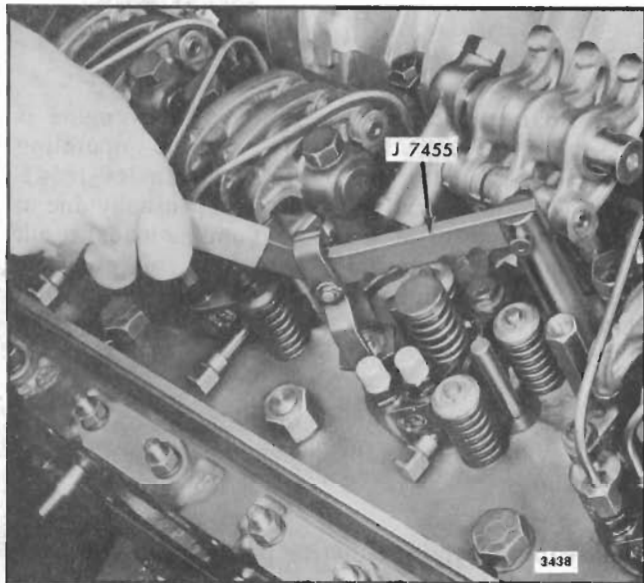


Fig. 3 - Removing Exhaust Valve Spring with Tool J 7455

Remove Exhaust Valve Spring (Cylinder Head Installed)

An exhaust valve spring may be removed, without removing the cylinder head from the engine, as follows:

1. Clean and remove the valve rocker cover.
2. Crank the engine over to bring the valve and injector rocker arms in line horizontally.

NOTE: When using a wrench on the crankshaft bolt at the front of the engine, do not turn the crankshaft in a left-hand direction of rotation or the bolt will loosen.

NOTE: Tool J 22582 bolts to the flywheel housing in the same position as the engine starter. Gear teeth on one end of the tool mesh with the flywheel ring gear. The engine can then be rotated by hand with the aid of a 3/4" drive and ratchet.

3. Disconnect and remove the fuel pipes from the injector and the fuel connectors.

NOTE: Immediately after removing the fuel pipes, cover each injector opening with a shipping cap to prevent dirt or other foreign matter from entering the injector.

4. Remove the two bolts holding the rocker arm shaft brackets to the cylinder head. Then remove the brackets and shaft.

5. Remove the exhaust valve bridge.

6. Remove the cylinder block air box cover so that piston travel may be observed, then turn the crankshaft until the piston is at the top of its stroke.

7. Thread the valve spring compressor adaptor J 7455-7 into the rocker arm bracket bolt hole in the cylinder head (Fig. 3). Then compress the valve spring and remove the two-piece tapered valve lock.

8. Release the tool and remove the spring cap, valve spring and spring seat.

Remove Exhaust Valves and Valve Springs (Cylinder Head Removed)

With the cylinder head removed from the engine, remove the exhaust valves and springs as follows:

1. Support the cylinder head on 2" thick wood blocks to keep the cam followers clear of the bench.

NOTE: Be careful not to damage or scratch the critical sealing area around the intermediate water nozzles.

2. Remove the fuel pipes from the injector and the fuel connectors.

NOTE: Immediately after removing the fuel pipes, cover each injector opening with a shipping cap to prevent dirt or other foreign matter from entering the injector.

3. Remove the two bolts holding the rocker arm shaft

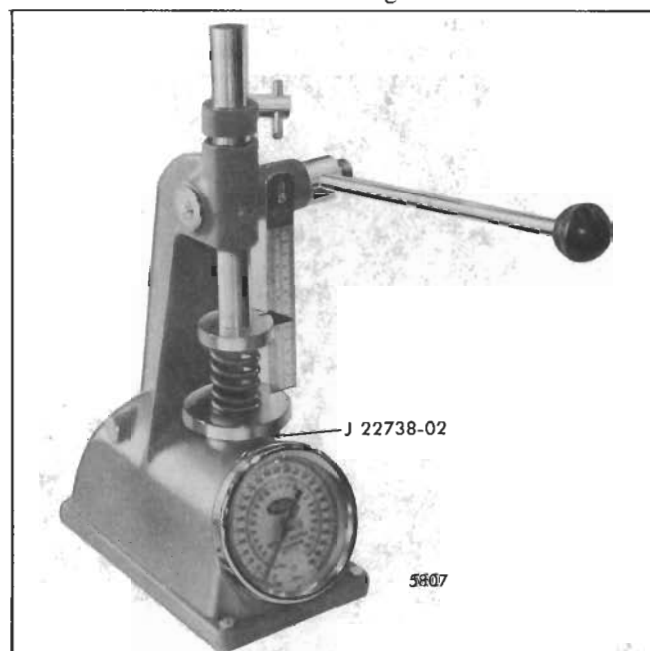


Fig. 4 - Testing Exhaust Valve Spring

brackets to the cylinder head. Then remove the brackets and the shaft.

4. Remove the fuel injectors.

5. Remove the exhaust valve bridges.

6. Place a block of wood under the cylinder head to support the exhaust valves. Remove the exhaust valve springs as outlined in Steps 7 and 8 above.

7. Turn the cylinder head over, using care to keep the valves from falling out of the head. If the valves are to be re-used, number each valve to facilitate reinstallation in the same location. Then withdraw the valves from the cylinder head.

8. Remove the cam followers and push rod assemblies as outlined in Section 1.2.1 under *Remove Cam Follower and Push Rod Assembly (Cylinder Head Removed from Engine)*.

Inspection

Clean the springs with fuel oil, dry them with compressed air and inspect them. Replace a pitted or fractured spring.

Use spring tester J 22738-02 to check the spring load (Fig. 4). The exhaust valve spring has an outside diameter of approximately .9531". Replace the spring when a load of less than 25 pounds (111 N) will compress it to 1.80" (installed length).

Inspect the valve spring seats and caps for wear. If worn, replace with new parts.

Examine the contact surfaces of the exhaust valve bridge guides, bridges and adjusting screws for wear and galling. Replace excessively worn parts.

Carbon on the face of a valve could indicate blow-by due to a faulty seat. Black carbon deposits extending from the valve seats to the valve guides may result from cold operation due to light loads or the use of too heavy a grade of fuel. Rusty brown valve heads with carbon deposits forming narrow collars near the valve guides is evidence of high operating temperatures normally due to overloads, inadequate cooling, or improper timing which results in carbonization of the lubricating oil.

Clean the carbon from the valve stems and wash the valves with fuel oil. The valve stems must be free from scratches or scuff marks and the valve faces must be

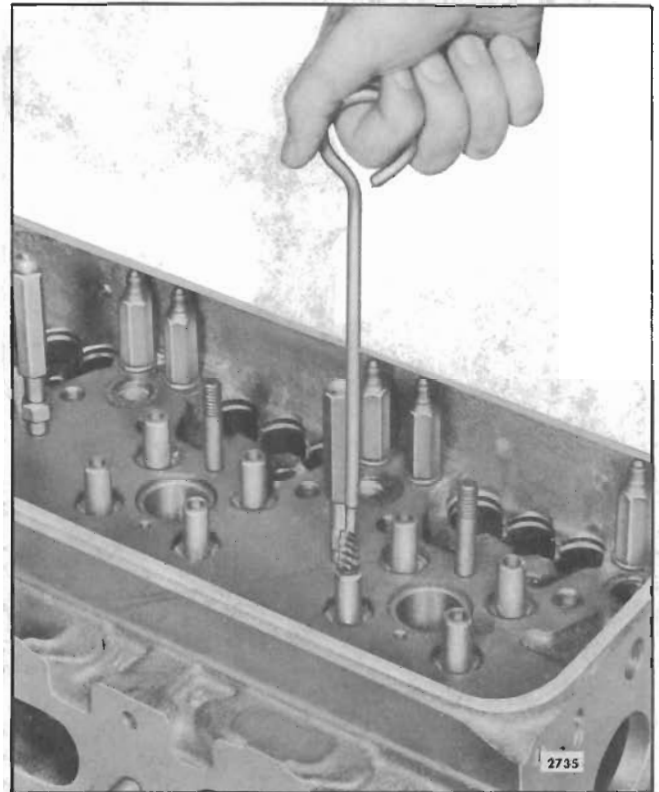


Fig. 5 - Cleaning Exhaust Valve Guide

free from ridges, cracks or pitting. If necessary, reface the valves or install new valves. If the valve heads are warped, replace the valves.

If there is evidence of engine oil running down the exhaust valve stem into the exhaust chamber, creating a high oil consumption condition because of excessive idling and resultant low engine exhaust back pressure, replace the valve guide oil seals or, if not previously used, install valve guide oil seals.

Clean the inside diameter of the valve guides with brush J 5437 (Fig. 5). This brush will remove all gum or carbon deposits from the guides, including the spiral grooves.

Inspect the valve guides for fractures, chipping, scoring or excessive wear. Measure the valve guide inside diameter with a pin gage or inside micrometer and record the readings. After inspecting and cleaning the exhaust valves, measure the outside diameter of the valve stems with a micrometer and record the readings. Compare the readings to obtain the valve-to-guide clearance. If the clearance exceeds .005", replace the valve guides.

The valve guides are machined at the upper end.

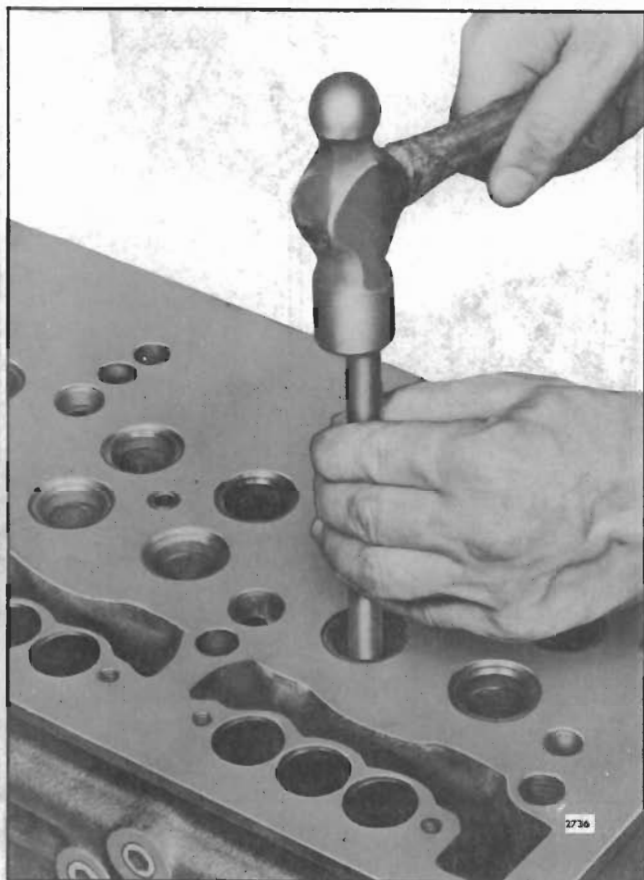


Fig. 6 - Removing Exhaust Valve Guide

Replace Exhaust Valve Guide

Remove an exhaust valve guide as follows:

1. Remove and discard the valve guide oil seal, if used.
2. Support the cylinder head, bottom side up, on 2 " thick wood blocks.
3. Drive the valve guide out of the cylinder head with tool J 6569 (Fig. 6).

Place the cylinder head right side up on an arbor press and install the valve guide (Fig. 7) as follows:

1. Insert the internally threaded end of the valve guide in the valve guide installing tool J 21520.
2. Position the valve guide squarely in the bore in the cylinder head and press the installing tool J 21520 gently to start the guide in place (Fig. 7). Then press the guide in until the tool contacts the cylinder head. The tool installs the guide to .670 "-.710 " above the top of the cylinder head.

NOTE: Do not use the valve guides as a means of turning the cylinder head over or in handling the cylinder head.

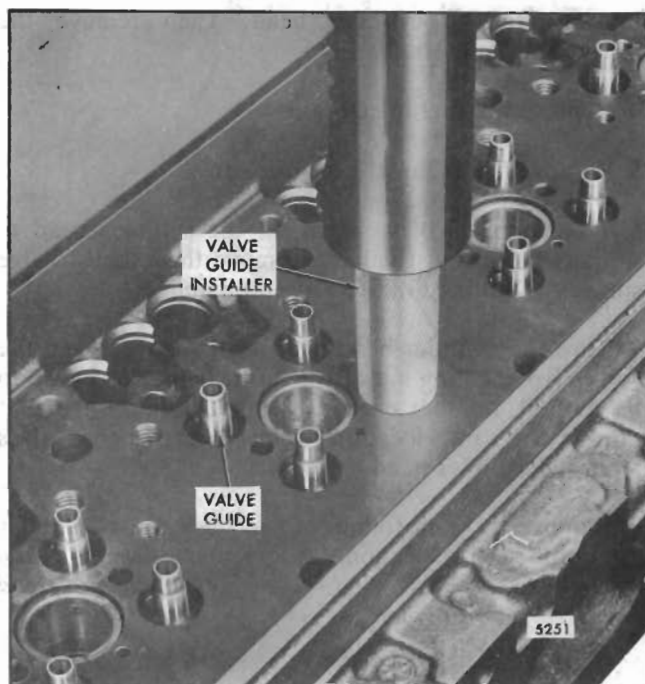


Fig. 7 - Installing Valve Guide

Service replacement valve guides are completely finish reamed during manufacture and, therefore, do not require reaming after installation.

3. Install a new valve guide oil seal (refer Item 5 under *Install Exhaust Valves and Springs*).

Inspect Exhaust Valve Bridge and Guide

Inspect the valve bridge guide, valve bridge and adjusting screw for wear. Replace excessively worn parts.

The press-fit valve bridge guide is hardened steel while the valve bridge is relatively soft steel.

Remove Exhaust Valve Bridge Guide

Remove the valve bridge guide from the cylinder head as outlined below:

1. Remove the press-fit guide (Fig. 8) with tool set J 7091-01 as follows:
 - a. File or grind two diametrically opposite notches 1/16 " deep in the side of the guide, approximately 1-1/4 " to 1-1/2 " from the upper end.
 - b. Place spacer J 7091-3 over the guide. Then slide the guide remover J 7091-5 over the guide and align the set screws with the notches in the guide. Tighten the set screws to hold the tool securely.



Fig. 8 - Removing Press-Fit Exhaust Valve Bridge Guide

c. Place spacer J 7091-4 over the guide remover. Thread the nut on the guide remover and turn it clockwise to withdraw the guide from the cylinder head.

2. Place the installer J 7482 over the guide and drive it into place. The installer will properly position the guide to the correct height in the cylinder head.

To remove a broken valve bridge guide, drill a hole approximately 1/2" deep in the end of the guide with a No. 3 (.2130") drill. Then tap the guide with a 1/4"-28 bottoming tap. Thread remover J 7453 into the guide and attach slide hammer J 2619-01 to the remover tool. One or two sharp blows with the puller weight will remove the broken guide (Fig. 9).

Inspect Exhaust Valve Seat Insert

A new exhaust valve seat insert is pre-ground and only needs to be checked for concentricity after installation. Do not grind a new valve seat insert unless the runout exceeds .002".

Install Exhaust Valve Bridge Guide

Install the press-fit bridge guide as follows:

1. Start the guide (undercut end first) straight into the cylinder head.

Inspect the valve seat inserts for excessive wear, pitting, cracking or an improper seat angle. The proper angle for the seating face of the valve is 30° and the angle for the insert is 31°. When a valve seat insert has been ground to such an extent that the grinding wheel will contact the cylinder head, install a new insert.

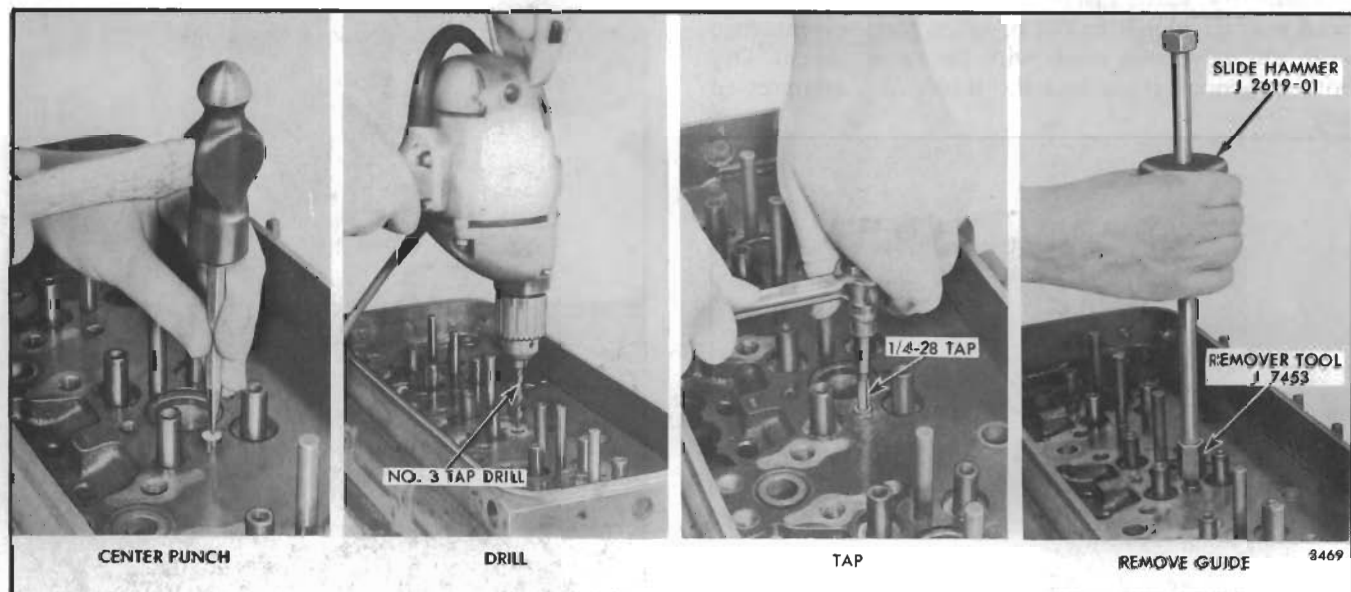


Fig. 9 - Removing Broken Exhaust Valve Bridge Guide

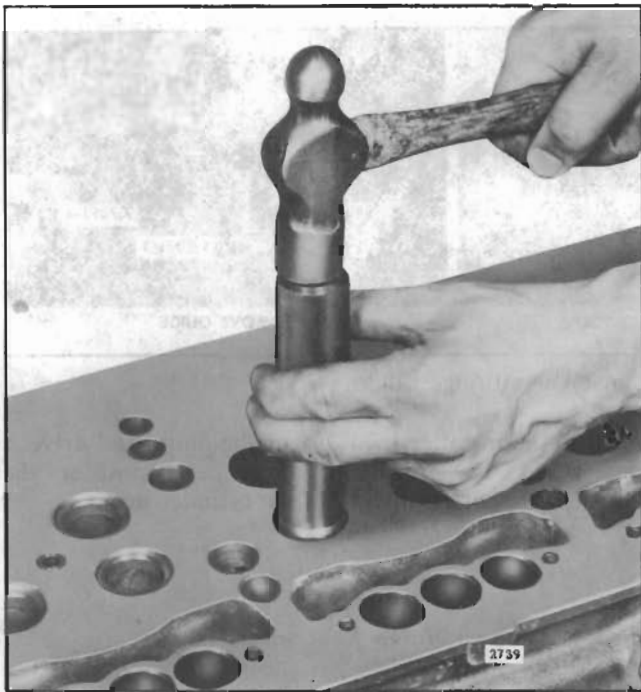


Fig. 10 - Installing Valve Seat Insert

Remove Exhaust Valve Seat Insert

Use the cam operated exhaust valve seat insert puller J 23479-15 and collet J 23479-13 to remove the insert from the cylinder head.

Install Exhaust Valve Seat Insert

1. Clean the valve insert counterbore in the cylinder head with trichloroethylene or other good solvent. Also wash the valve seat insert with the same solvent. Dry both the counterbore and the insert with compressed air.

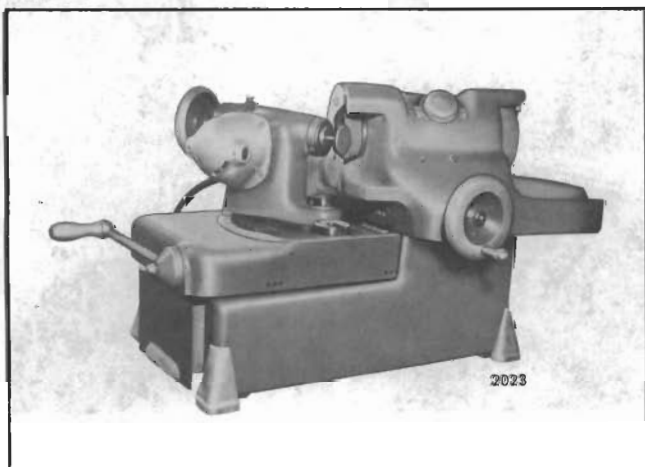


Fig. 11 - Refacing Exhaust Valve

2. Inspect the valve seat insert counterbore in the cylinder head for cleanliness, concentricity, flatness and cracks. The counterbores have a diameter of 1.440 " to 1.441 " and a depth of .3395 " to .3505 ". The counterbores must be concentric with the valve guides within .002 " total indicator reading. If required, use a valve seat insert which is .010 " oversize on the outside diameter.

3. Immerse the cylinder head for at least 30 minutes in water heated to a temperature of 180-200 °F (92-93 °C).

4. Rest the cylinder head, bottom side up, on a bench and place an insert in the counterbore valve seat side up. Install the insert in the cylinder head while the head is still hot and the insert is at room temperature, otherwise installation will be difficult and the parts may be damaged.

5. Drive the insert in place with installer J 24357 as shown in Fig. 10 until it seats solidly in the cylinder head.

6. Grind the valve seat insert and check it for concentricity in relation to the valve guide as outlined below.

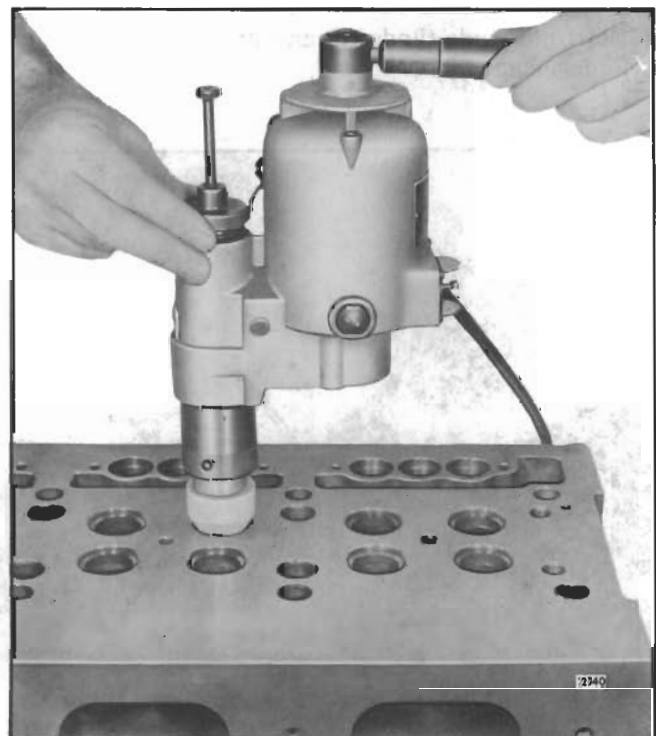


Fig. 12 - Grinding Valve Seat Insert

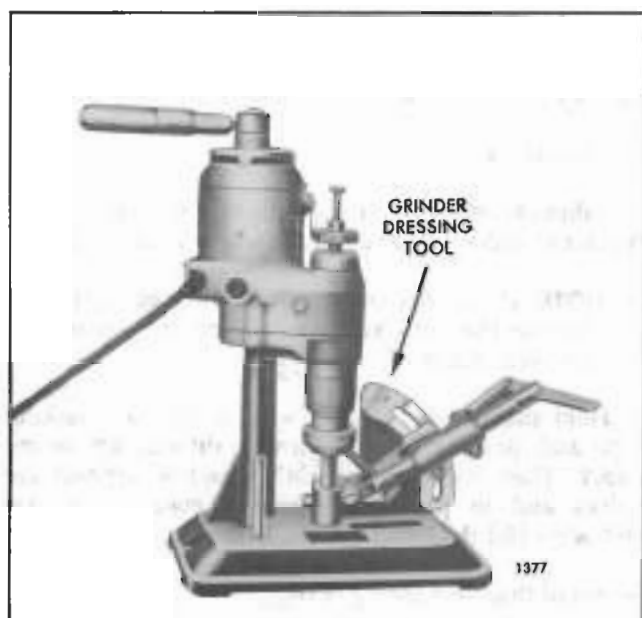


Fig. 13 - Grinding Wheel Dressing Tool of Set J 24566

Recondition Exhaust Valve and Valve Seat

An exhaust valve which is to be reused may be refaced, if necessary (Fig. 11). To provide sufficient valve strength and spring tension, the edge of the valve at the valve head must not be less than .031" in thickness after refacing.

When a new valve seat insert is installed or an old insert is reconditioned, the work must be done with a grinding wheel (Fig. 12).

The eccentric grinding method for reconditioning a valve seat insert is recommended. This method produces a finer, more accurate finish since only one point of the grinding wheel is in contact with the valve seat at any time. A micrometer feed permits the operator to feed the grinding wheel into the work .001" at a time.

Eccentric valve seat grinder set J 7040, which includes the grinder, dress stand and pilot, and dial gage, is used to grind the inserts. An adaptor set J 24566 is used with the grinder set and includes the following:

1. Pilot J 24566-1.
2. Grinding wheel (15°) J 24566-2.
3. Grinding wheel (31°) J 24566-3.
4. Grinding wheel (60°) J 24566-4.

Grind the inserts as follows:



Fig. 14 - Checking Relative Concentricity of Valve Seat Insert with Relation to Valve Guide

1. Apply the 31° grinding wheel on the valve seat insert.
2. Use the 60° grinding wheel to open the throat of the insert.
3. Grind the top surface of the insert with the 15° wheel to narrow the width of the seat. The 31° face of the insert may be adjusted relative to the center of the valve face with the 15° and 60° grinding wheels.

NOTE: Do not permit the grinding wheel to contact the cylinder head when grinding the inserts. When an insert has been ground to the extent that the grinding wheel contacts the cylinder head, install a new insert.

4. When occasion requires, the grinding wheel may be dressed to maintain the correct seat angle with the dressing tool provided with the grinder set (Fig. 13).

Grinding will reduce the thickness of the valve seat insert and cause the valve to recede into the cylinder head. If, after several grinding operations, the valve recedes beyond these limits replace the valve seat insert.

5. After the grinding has been completed, clean the valve seat insert thoroughly with fuel oil and dry it with compressed air. Set the dial indicator J 8165-2 in position as shown in Fig. 14 and rotate it to determine the concentricity of each valve seat insert relative to the valve guide. Total runout should not exceed .002". If a runout of more than .002" is indicated, check for a bent or worn valve guide before regrinding the insert.

After the valve seat insert has been ground, determine the position of the contact area between the valve and the valve seat insert as follows:

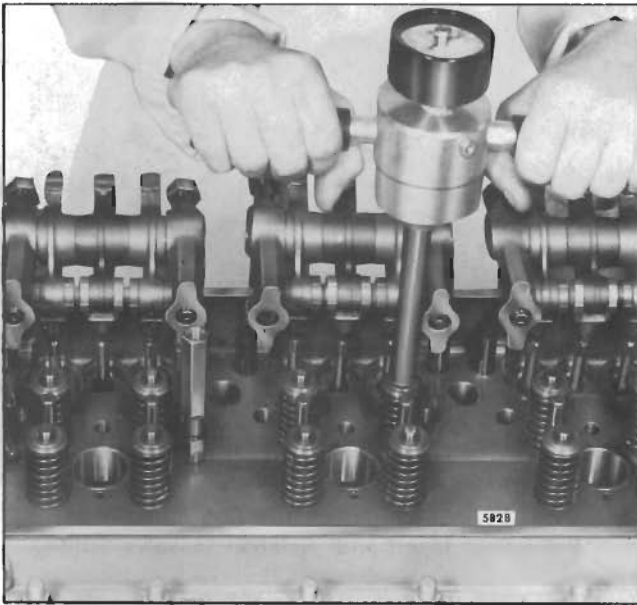


Fig. 15 - Checking Pressure Required to Open the Exhaust Valve in Cylinder Head

1. Apply a light coat of Prussian blue, or a similar paste, to the valve seat insert.

2. Lower the stem of the valve in the valve guide and "bounce", but do not rotate, the valve on the insert. This procedure will indicate the area of contact on the valve face. The most desirable area of contact is at the center of the valve face.

NOTE: The use of valve lapping compounds is not recommended.

After the valve seat inserts have been ground and checked, thoroughly clean the cylinder head before installing the valves.

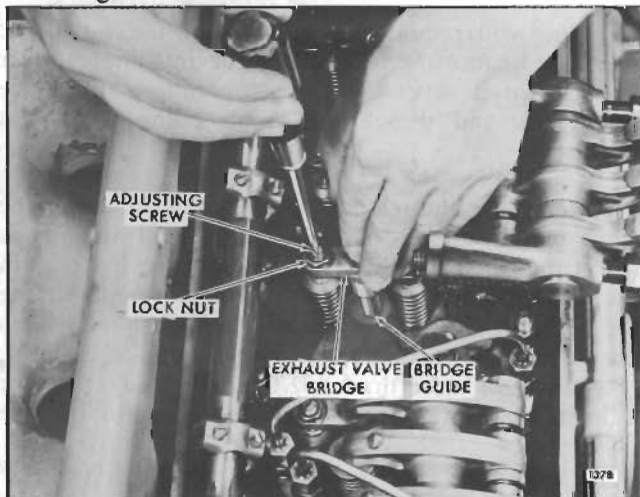


Fig. 16 - Valve Bridge Adjustment

Install Exhaust Valves and Springs

Install the exhaust valves as follows:

1. Clean the valve guides.
2. Lubricate the valve stems with sulphurized oil (E.P. type) and slide the valves all the way into the guides.

NOTE: If reconditioned valves are used, install them in the same relative location from which they were removed.

3. Hold the valves in place with a strip of masking tape and turn the cylinder head right side up on the bench. Place a board under the head to support the valves and to provide clearance between the cam followers and the bench.

4. Install the valve spring seats.

5. Install the valve guide oil seal, if used, on the valve guide as follows:

- a. Place the plastic seal installation cap on the end of the valve stem. If the cap extends more than 1/16" below the groove on the valve stem, remove the cap and cut off the excess length.

- b. Lubricate the installation cap and start the seal carefully over the valve stem. Push the seal down slowly until the seal rests on the top of the valve guide.

- c. Remove the installation cap.

6. Install the valve springs and valve spring caps.

7. Thread the valve spring compressor J 7455 into one of the rocker shaft bolt holes in the cylinder head (Fig. 3).

8. Apply pressure to the free end of the tool to compress the valve spring and install the two-piece tapered valve lock. Exercise care to avoid scoring the valve stem with the valve cap when compressing the spring. Give the end of the valve stem a sharp tap with a plastic hammer to seat the valve locks. This will aid in the proper seating of the valve locks and reduce the chances of failure.

NOTE: Compress the valve spring only enough to permit installation of the valve locks. Compressing the spring too far may result in damage to the valve guide oil seal.

9. Release the tool and install the valve locks on the remaining exhaust valves in the same manner.

10. Check the position of the exhaust valve.

11. With the exhaust valves installed in the cylinder head, use spring checking gage J 25076-01 and note the gage reading the moment the exhaust valve starts to open (Fig. 15). The minimum allowable pressure required to start to open the exhaust valve must not be less than 20 pounds (89 N).

12. Install the injectors, rocker arms, shafts, brackets and any other parts previously removed from the cylinder head.

13. Install the cylinder head (see *Pre-Installation Inspection* and *Install Cylinder Head* in Section 1.2). Adjust the exhaust valve bridges as outlined below.

Exhaust Valve Bridge Adjustment

A complete valve bridge adjustment is performed as follows:

1. Place the valve bridge in a vise or bridge holding fixture J 21772 and loosen the lock nut on the bridge adjusting screw.

NOTE: Loosening or tightening the lock nut with the bridge in place may result in a bent bridge guide or bent rear valve stem.

2. Install the valve bridge on the valve bridge guide.

3. While firmly pressing straight down on the pallet surface of the valve bridge, turn the adjusting screw clockwise until it just touches the valve stem. Then turn the screw an additional 1/8 to 1/4 turn clockwise and tighten the lock nut finger tight (Fig. 16).

4. Remove the valve bridge and place it in a vise. Use a screw driver to hold the adjustment screw from turning and tighten the lock nut to 20-25 lb-ft (27-34 Nm) torque.

5. Lubricate the valve bridge guide and the valve bridge with engine oil.

6. Re-install the valve bridge in its *original* position.

7. Place a .0015 " feeler gage (J 23185) under each end of the valve bridge or use a narrow strip cut from .0015 " feeler stock to fit in the bridge locating groove over the inner exhaust valve. While pressing down on the pallet surface of the valve bridge, both feeler gages must be tight. If both of the feeler gages are not tight, re-adjust the adjusting screw as outlined in Steps 3 and 4.

8. Remove the valve bridge and re-install it in its *original* position.

9. Adjust the remaining valve bridges in the same manner.

10. Swing the rocker arm assembly into position, making sure the valve bridges are properly positioned on the rear valve stems. This precaution is necessary to prevent valve damage due to mislocated valve bridges. Tighten the rocker arm shaft bracket bolts to the torque specified in Section 1.0.

After the cylinder head is installed and the valve bridges adjusted, proceed as follows:

1. Refer to Section 2.1.1 under *Install Injector* and install the fuel pipes.

2. Fill the cooling system.

3. Adjust the exhaust valve clearance and time the injectors (Sections 14.1 and 14.2).

4. Start the engine and check for leaks in the fuel, cooling and lubrication systems.

5. Perform a complete engine tune-up as outlined in Section 14.

VALVE ROCKER COVER

The valve rocker cover assembly (Fig. 1) completely encloses the valve and injector rocker arm compartment at the top of the cylinder head. The top of the cylinder head is sealed against oil leakage by a gasket located in the groove of the lower rail of the current die cast rocker cover or in the flanged edge of the former stamped metal rocker cover.

An option plate is inserted in a retainer attached to one of the covers.

The current die cast rocker cover (Fig. 1) is held in place by 3/8"-16 twelve-point head shoulder bolts with a steel washer and silicone isolator. The bolts have a shoulder which bottoms out against the

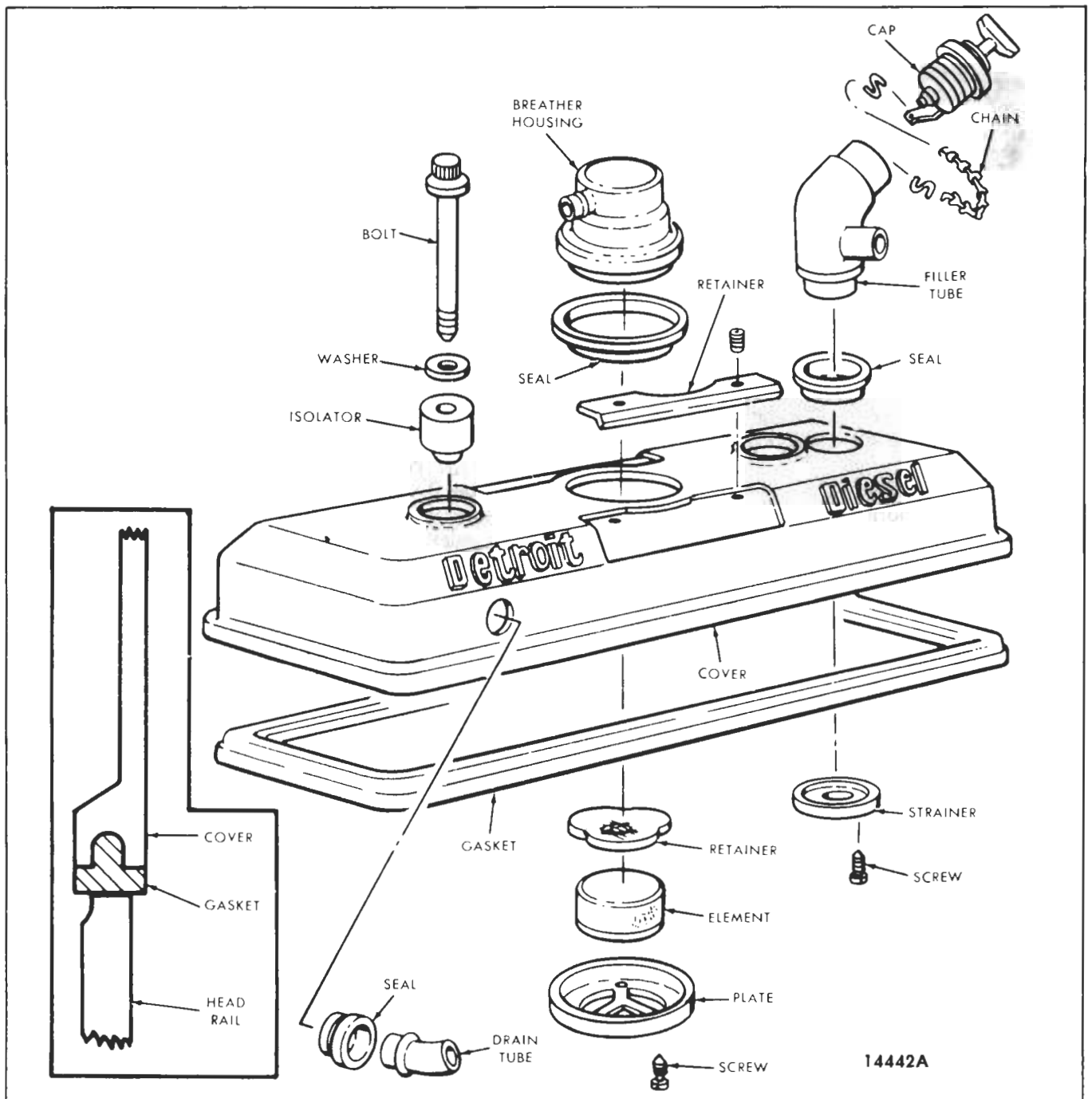


Fig. 1 - Typical Current Valve Rocker Cover Assembly

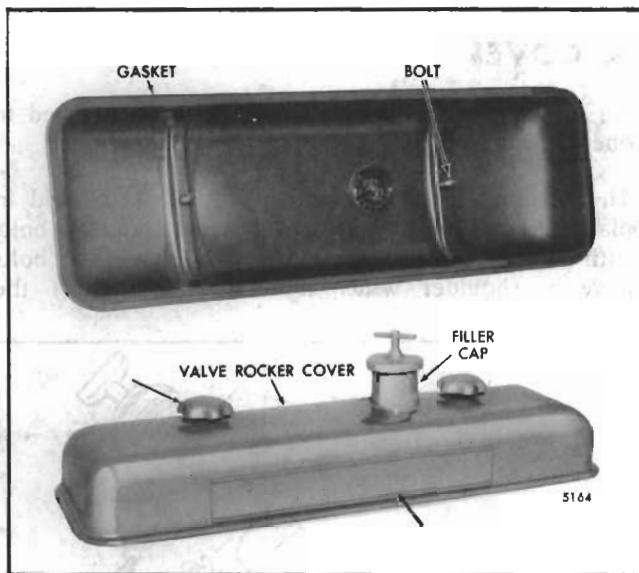


Fig. 2 - Valve Rocker Cover Assembly (Former)

cylinder head or throttle delay bracket. The isolators and gasket use low compression-set materials which provide long sealing life and minimize engine noise levels. Tighten the bolts to 15-20 lb-ft (20-27 Nm) torque. The former stamped metal rocker cover is held in place with hold-down knobs (Fig. 2).

NOTE: The shorter rocker cover bolt, which threads into the throttle delay bracket, can crack the bracket if overtightened.

IMPORTANT: The rocker cover bolt is especially designed for this purpose and must not be replaced by an ordinary bolt.

The valve rocker cover assembly on certain engines may include a breather assembly or an oil filler, depending upon the engine application.

The former stamped metal rocker covers and the current die cast rocker covers are interchangeable. Only the current covers will be serviced. The former rocker cover gaskets, hold-down knob and studs, and components of the former ventilating system and oil filler will be available for service on early engines.

When replacing a former stamped rocker cover with the new die cast aluminum rocker cover, remove the studs (adaptor) from the cylinder head. The new bolts are installed directly into the tapped holes in the cylinder head. A short (2.90" long) bolt is used when the engine is equipped with a throttle delay or fuel modulator mechanism.

The current rocker cover gaskets and the current hold-down bolts can only be used with the current die cast rocker cover. Do not use the former gasket and hold-down knobs with the die cast cover.

Clean the valve rocker covers and around the covers before removing them from the engine to avoid dust or dirt from entering the valve mechanism. Then loosen the bolts (current engines) or the knobs (former engines) and lift each cover straight up from the cylinder head. Use new gaskets when re-installing the covers.

CRANKSHAFT

The crankshaft (Fig. 1) is a one-piece steel forging, heat-treated to ensure strength and durability. A two-piece crankshaft assembly is used on the 16V engine. The two halves are bolted together at the center **flange** (Fig. 9). The main and connecting rod bearing **journal** surfaces and fillets on all crankshafts are induction hardened.

Complete static and dynamic balance of the crankshaft has been achieved by counterweights incorporated in the crankshaft.

The crankshaft end play is controlled by thrust washers located at the rear main bearing **cap** of the engine. Full pressure lubrication to all connecting rod and main bearings is provided by drilled passages within the crankshaft and cylinder block.

Twelve tapped holes equally spaced are provided for attaching the flywheel. No dowel pins are provided for locating the flywheel.

NOTE: Some early engines may have a small butt crankshaft with two dowel pins and six flywheel mounting holes.

Each main bearing journal is 4-1/2" in diameter and each connecting rod journal is 3" in diameter.

Remove Crankshaft

When removal of the crankshaft becomes necessary, first remove the transmission, then proceed as follows:

1. Clean the exterior of the engine.
2. Drain the cooling system.
3. Drain the engine crankcase.
4. Remove all engine to base attaching bolts. Then, with a chain hoist and sling attached to the lifter brackets or eye bolts at each end of the engine, remove the engine from its base.
5. Remove all of the accessories and assemblies with their attaching parts as necessary to permit the engine to be mounted on an overhaul stand.
6. Mount the engine on an overhaul stand and fasten it securely to the mounting plate.

CAUTION: Be absolutely sure the engine is securely attached to the stand before releasing the lifting sling. Severe injury to personnel and destruction of engine parts will result if the engine breaks away from the stand.

7. Remove the oil pan.
8. Remove the lubricating oil pump, if the pump is mounted on the main bearing caps.
9. Remove the flywheel and flywheel housing.
10. Remove the crankshaft cap or pulley retaining bolt and washer at the front end of the crankshaft. Then remove the pulley, if used.

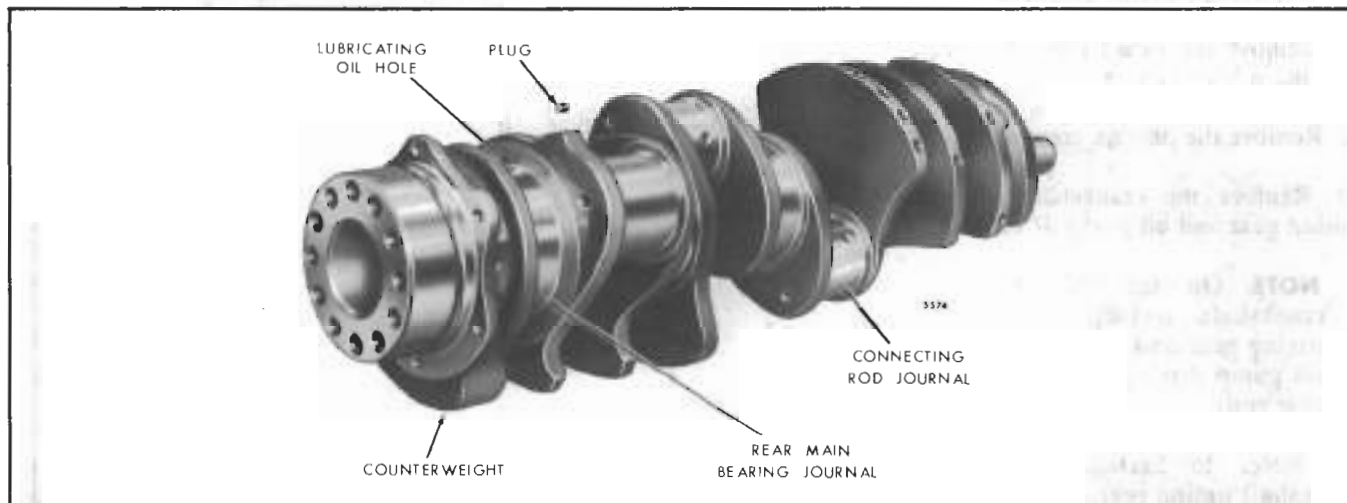


Fig. 1 - Typical 8V Crankshaft

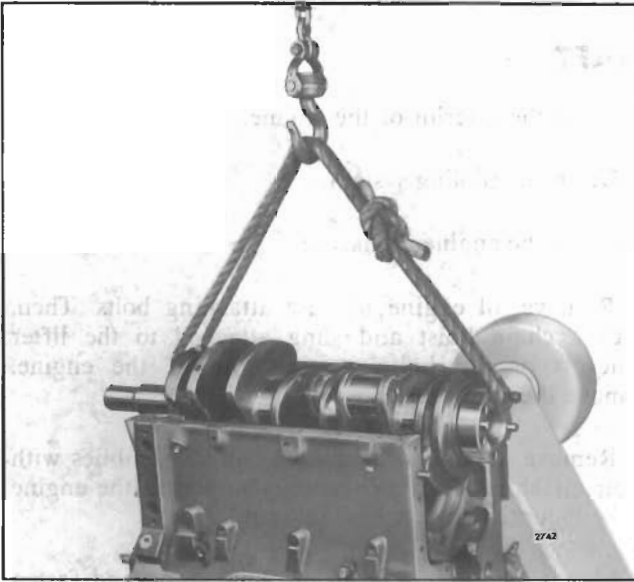


Fig. 2 - Removing or Installing Crankshaft

11. If used, remove the vibration damper (except on the 16V engine - refer to Step 20).
12. Remove the front engine support.
13. Remove the crankshaft front cover and oil pump assembly.
14. Remove the vibration damper inner cone or oil seal spacer.
15. Remove the cylinder heads.
16. Remove the connecting rod bearing caps.
17. Remove the main bearing caps and stabilizers.
18. Remove the thrust washers from each side of the rear main bearing cap.
19. Remove the pistons, connecting rods and liners.
20. Remove the crankshaft (Fig. 2), including the timing gear and oil pump drive gear.

NOTE: On the 16V engine, remove the crankshaft, including the damper assembly, timing gear and hub (at the front end) and the oil pump driving gear and timing gear (at the rear end).

21. Refer to Section 1.7.5 for removal of the crankshaft timing gear.
22. Remove the oil pump drive gear and Woodruff keys from the crankshaft.

Inspection

After the crankshaft has been removed, clean and inspect it thoroughly before reinstalling it in the engine.

Remove the plugs and clean out the oil passages thoroughly with a stiff wire brush. Clean the crankshaft with fuel oil and dry it with compressed air. Then reinstall the plugs.

Inspect the keyways for evidence of cracks or wear. Replace the crankshaft, if necessary.

If the crankshaft shows evidence of excessive overheating, replace the crankshaft since the heat treatment has probably been destroyed.

Used crankshafts will sometimes show a certain amount of ridging caused by the slot in the upper main bearing shell or lower connecting rod bearing shell (Fig. 3). Ridges exceeding .0002" must be removed. If the ridges are not removed, localized high unit pressures on new bearing shells will result during engine operation.

The ridges may be removed by working crocus cloth, wet with fuel oil, around the circumference of the crankshaft journal. If the ridges are greater than .0005", first use 120 grit emery cloth to clean up the ridge, 240 grit emery cloth for finishing and wet crocus

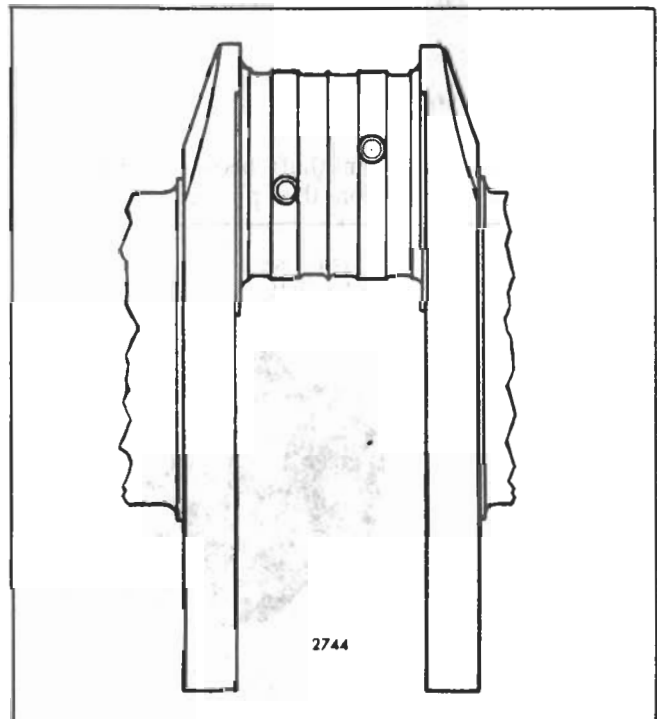


Fig. 3 - Typical Ridging of Crankshaft

cloth for polishing. Use of a piece of rawhide or other suitable rope wrapped around the emery cloth or crocus cloth and drawn back and forth will minimize the possibility of an out-of-round condition developing (keep the strands of rawhide apart to avoid bind). If rawhide or rope is not used, the crankshaft should be rotated at intervals. If the ridges are greater than .001", the crankshaft may have to be reground.

Carefully inspect the rear end of the crankshaft in the area of the oil seal contact surface for evidence of a rough or grooved condition. Any imperfections of the oil seal contact surface will result in oil leakage at this point.

Slight ridges on the crankshaft oil seal contact surface may be cleaned up with emery cloth and crocus cloth in the same manner as detailed for the crankshaft journals. If the crankshaft cannot be cleaned up satisfactorily, the oil seal may be repositioned in the flywheel housing as outlined in Section 1.3.2.

Check the crankshaft thrust surfaces for excessive wear or grooving. If only slightly worn, the surfaces may be dressed with a stone. Otherwise it will be necessary to regrind the thrust surfaces.

Check the oil pump drive gear and the crankshaft timing gear for worn or chipped teeth. Replace the gears, if necessary.

Inspect the crankshaft for cracks as outlined under *Inspection for Cracks*.

Crankshaft Measurements

Support the crankshaft on its front and rear journals on V-blocks or in a lathe and check the alignment at the adjacent intermediate main journals with a dial indicator.

When the runout on the adjacent journals is in opposite directions, the sum must not exceed .003" total indicator reading. When the runout on the

Engine	Journals	Max. Run-Out (Total indicator reading)
6V	On No. 2 and No. 3	.002"
8V	On No. 2 and No. 4	.002"
	On No. 3	.004"
16V	On No. 2 and No. 9	.002"
	On No. 3 and No. 8	.004"
	On No. 4 and No. 7	.006"
	On No. 5 and No. 6	.008"

TABLE 1

adjacent journals is in the same direction, the difference must not exceed .003" total indicator reading. When high spots of runout on the adjacent journals are at right angles to each other, the sum must not exceed .004" total indicator reading, or .002" on each journal. If the runout limit is greater than given in Table 1, the crankshaft must be replaced.

Measure all of the main and connecting rod bearing journals (Fig. 6). Measure the journals at several places on the circumference so that taper, out-of-round and bearing clearances can be determined. If the crankshaft is worn so that the maximum connecting rod or main bearing journal-to-bearing shell clearance (with new shells) exceeds .0040" or .0050" respectively, the crankshaft must be reground. Measurements of the crankshaft should be accurate to the nearest .0002". Also, if the journal taper of a used crankshaft exceeds .0015" or the out-of-round is greater than .001", the crankshaft must be reground.

Also measure the crankshaft thrust washer surfaces (Fig. 8).

Inspection for Cracks

Carefully check the crankshaft for cracks which start at an oil hole and follow the journal surface at an angle of 45° to the axis. Any crankshaft with such cracks must be rejected. Several methods of determining the presence of minute cracks not visible to the eye are outlined below.

Magnetic Particle Method: The part is magnetized and then covered with a fine magnetic powder or

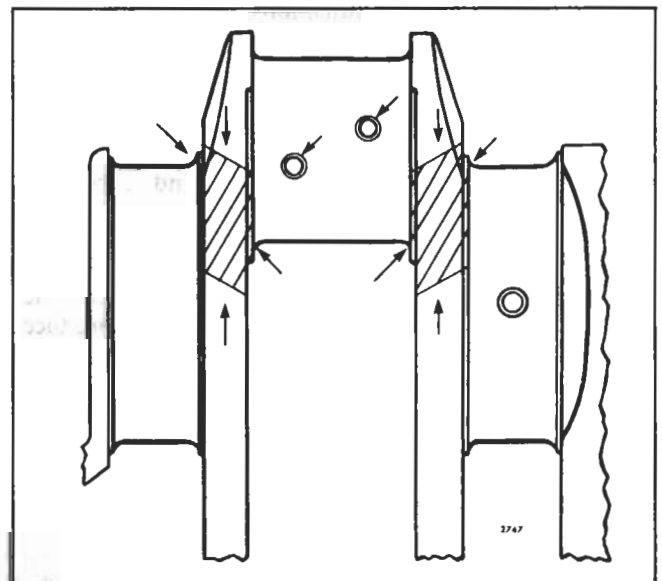


Fig. 4 - Critical Crankshaft Loading Zones

solution. Flaws, such as cracks, form a small local magnet which causes the magnetic particles in the powder or solution to gather there, effectively marking the crack. The crankshaft must be de-magnetized after the test.

Fluorescent Magnetic Particle Method: This method is similar to the magnetic particle method, but is more sensitive since it employs magnetic particles which are fluorescent and glow under "black light". Very fine cracks that may be missed under the first method, especially on discolored or dark surfaces, will be disclosed under the "black light".

Fluorescent Penetrant Method: This is a method which may be used on *non-magnetic* materials such as stainless steel, aluminum and plastics. A highly fluorescent liquid penetrant is applied to the part. Then the excess penetrant is wiped off and the part is dried. A developing powder is then applied which helps to draw the penetrant out of the flaws by capillary action. Inspection is carried out under "black light".

A majority of indications revealed by the above inspection methods are normal and harmless and only in a small percentage of cases is reliability of the part impaired when indications are found. Since inspection reveals the harmless indications with the same intensity as the harmful ones, detection of the indications is but a first step in the procedure. **Interpretation** of the indications is the most important step.

All Detroit Diesel crankshafts are magnetic particle inspected after manufacture to ensure against any shafts with harmful indications getting into the original equipment or factory parts stock.

Crankshaft failures are rare and when one cracks or breaks completely, it is very important to make a thorough inspection for contributory factors. Unless abnormal conditions are discovered and corrected, there will be a repetition of the failure.

There are two types of loads imposed on a crankshaft in service -- a *bending* force and a *twisting* force. The design of the shaft is such that these forces produce practically no stress over most of the surface. Certain small areas, designated as critical areas, sustain most of the load (Fig. 4).

Bending fatigue failures result from bending of the crankshaft which takes place once per revolution.

The crankshaft is supported between each of the cylinders by a main bearing and the load imposed by the gas pressure on top of the piston is divided between the adjacent bearings. An abnormal bending stress in the crankshaft, particularly in the crank fillet,

may be a result of misalignment of the main bearing bores, improperly fitted bearings, bearing failures, a loose or broken bearing cap, or unbalanced pulleys. Also, drive belts which are too tight will impose a bending load upon the crankshaft.

Failures resulting from bending start at the pin fillet and progress throughout the crank cheek, sometimes extending into the journal fillet. If main bearings are replaced due to one or more badly damaged bearings, a careful inspection must be made to determine if any cracks have started in the crankshaft. These cracks are most likely to occur on either side of the damaged bearing.

Torsional fatigue failures result from torsional vibration which takes place at high frequency.

A combination of abnormal speed and load conditions may cause the twisting forces to set up a vibration, referred to as torsional vibration, which imposes high stresses at the locations shown in Fig. 4.

Torsional stresses may produce a fracture in either the connecting rod journal or the crank cheek. Connecting rod journal failures are usually at the fillet at 45° to the axis of the shaft.

A loose, damaged or defective vibration damper, a loose flywheel or the introduction of improper or additional pulleys or couplings are usual causes of this type of failure. Also, overspeeding of the engine or resetting the governor at a different speed than intended for the engine application may be contributory factors.

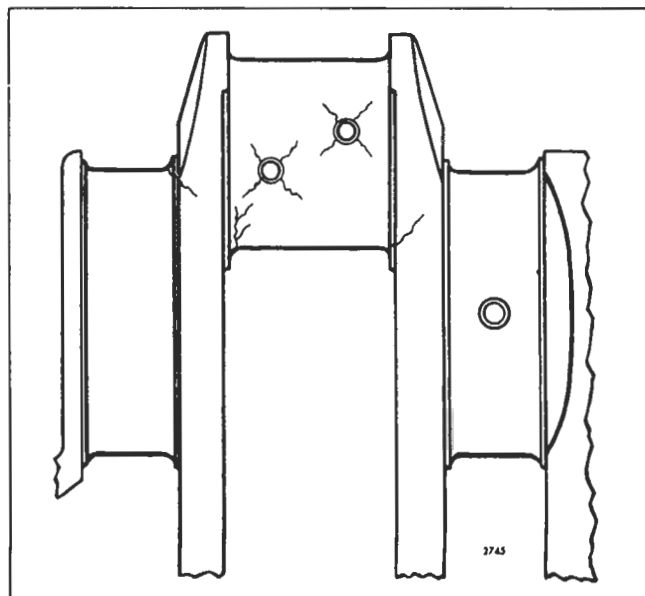


Fig. 5 - Crankshaft Fatigue Cracks

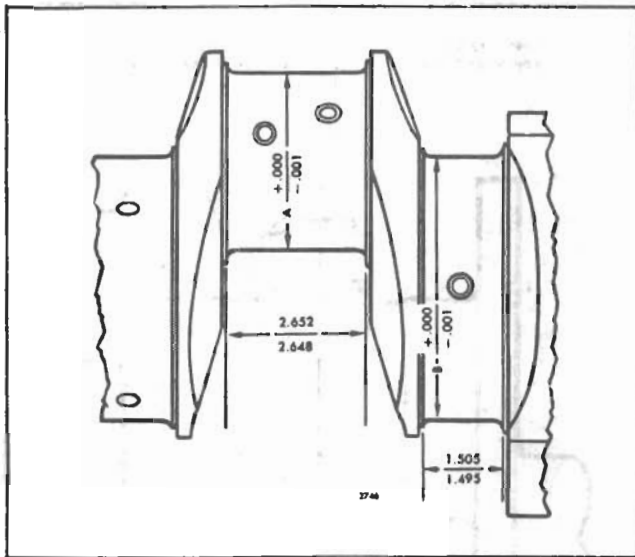


Fig. 6 - Dimensions of Crankshaft Journals

Bearing Sizes	Conn. Rod Journal Dia. "A"	Main Bearing Journal Dia. "B"
Standard	3.000	4.500
.002" Undersize	3.000	4.500
.010" Undersize	2.990	4.490
.020" Undersize	2.980	4.480
.030" Undersize	2.970	4.470

TABLE 2

As previously mentioned, most of the indications found during inspection of the crankshaft are harmless. The two types of indications to look for are circumferential fillet cracks at the critical areas and 45° cracks (45° with the axis of the shaft) starting from either the critical fillet locations or the connecting rod journal holes as shown in Fig. 5. Replace the crankshaft when cracks of this nature are found.

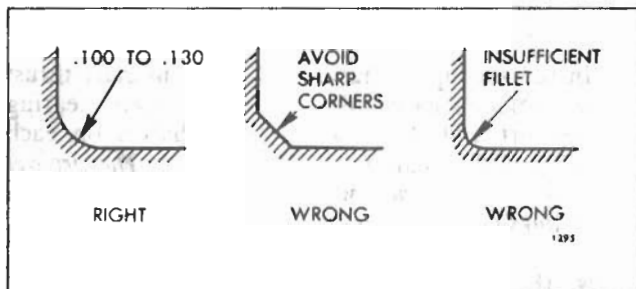


Fig. 7 - Crankshaft Journal Fillets

Crankshaft Grinding

In addition to the standard size main and connecting rod bearings, .002", .010", .020" and .030" undersize bearings are available.

NOTE: The .002" undersize bearings are used only to compensate for slight wear on crankshafts on which regrinding is unnecessary.

If the crankshaft is to be reground, proceed as follows:

1. Compare the crankshaft journal measurements taken during inspection with the dimensions in Table 2 and Fig. 6 and determine the size to which the journals are to be reground.

2. If one or more main or connecting rod journals require grinding, then grind all of the main journals or all of the connecting rod journals to the same required size.

3. All journal fillets must have a .100" to .130" radius between the crank cheek and the journal and must not have any sharp grind marks (Fig. 7). The fillet must blend smoothly into the journal and the crank cheek and must be free of scratches. The radius may be checked with a fillet gage.

NOTE: The journals and fillets are induction hardened and the fillets do not require rolling after regrinding.

4. Care must be taken to avoid localized heating which often produces grinding cracks. Cool the crankshaft

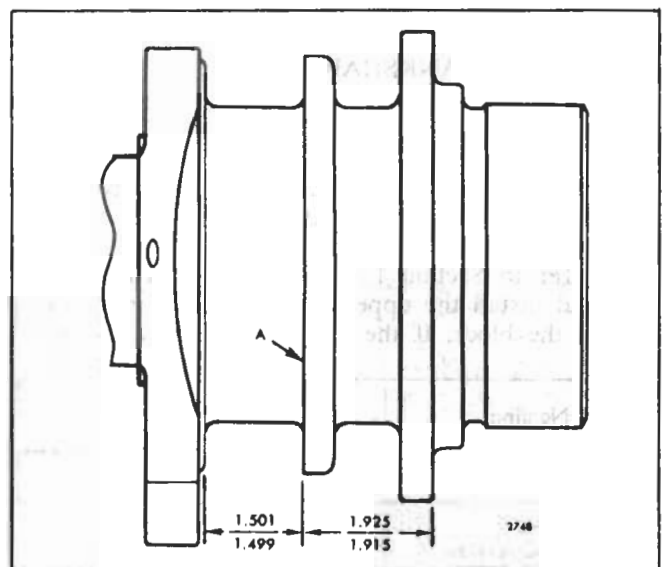


Fig. 8 - Standard Dimension at Rear Main Bearing Thrust Washers

while grinding, using coolant generously. Do not crowd the grinding wheel into the work.

5. Polish the ground surfaces to an 8-12 R.M.S. finish. The reground journals will be subject to excessive wear unless polished smooth.

6. If the thrust surfaces of the crankshaft (Fig. 8) are worn or grooved excessively, they must be reground and polished. Care must be taken to leave a .100" to .130" radius between each thrust surface and the bearing journal.

7. Stone the edge of all oil holes in the journal surfaces smooth to provide a radius of approximately 3/32".

8. After grinding has been completed, inspect the crankshaft by the magnetic particle method to determine whether cracks have originated due to the grinding operation.

9. De-magnetize the crankshaft.

10. Remove the plugs and clean the crankshaft and oil passages thoroughly with fuel oil. Dry the shaft with compressed air and reinstall the plugs.

Install Crankshaft

If a new crankshaft is to be installed, steam clean it to remove the rust preventive, blow out the oil passages with compressed air and install the plugs. Then install the crankshaft as follows:

1. Install or assemble the crankshaft.

ONE-PIECE CRANKSHAFT
(6 and 8V Engines)

- a. Assemble the crankshaft timing gear (Section 1.7.5) and the oil pump drive gear (Section 4.1) on the crankshaft.
- b. Refer to Section 1.3.4 for main bearing details and install the upper *slotted* main bearing shells in the block. If the old bearing shells are to be

Nominal Size	Thrust Washer Thickness	
	Min.	Max.
Standard	.1190"	.1220"
.005" Oversize	.1240"	.1270"
.010" Oversize	.1290"	.1320"

TABLE 3

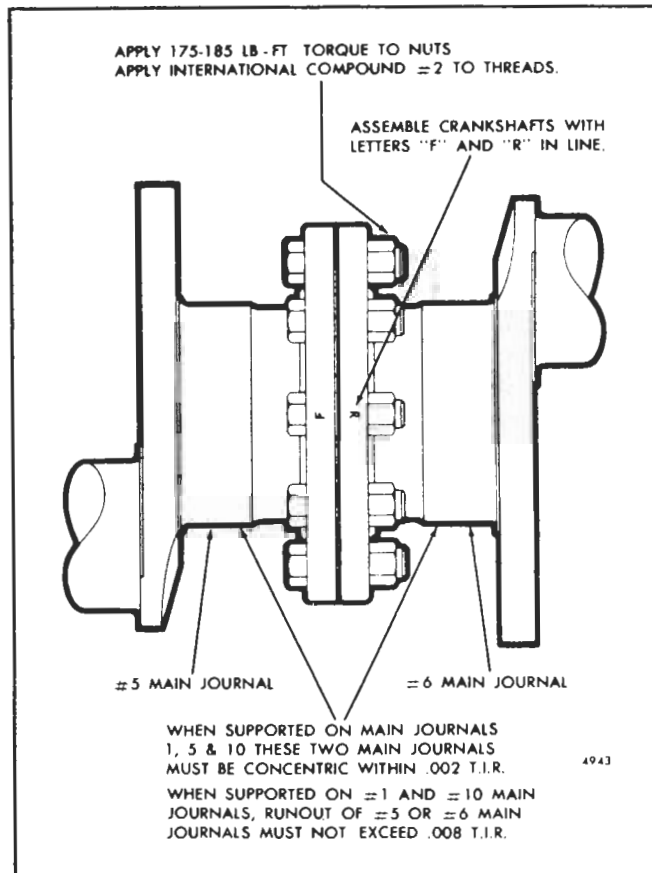


Fig. 9 - Two-Piece 16V Crankshaft Assembly Instructions

used again, install them in the same locations from which they were removed.

- NOTE:** When a new or reground crankshaft is installed, *ALL* new main and connecting rod (upper and lower) bearing shells and new thrust washers must also be installed.
- c. Apply clean engine oil to all crankshaft journals and install the crankshaft in place so that the timing marks on the crankshaft timing gear and the idler gear match. Refer to Section 1.7.1 for the correct method of timing the gear train.
 - d. Install the upper halves of the crankshaft thrust washers on each side of the rear main bearing support and the doweled lower halves on each side of the rear main bearing cap. *The grooved side of the thrust washers must face toward the crankshaft thrust surfaces.*

NOTE: If the crankshaft thrust surfaces were reground, it may be necessary to install oversize thrust washers on one or both sides of the rear main journal. Refer to Fig. 8 and Table 3.

- e. Install the lower bearing shells (no oil slot) in the bearing caps. If the old bearing shells are to be used again, install them in the same bearing caps from which they were removed.
- f. Install the bearing caps and lower bearing shells as outlined under *Install Main Bearing Shells* in Section 1.3.4.

NOTE: If the bearings have been installed properly, the crankshaft will turn freely with all of the main bearing cap bolts drawn to the specified torque.

TWO-PIECE CRANKSHAFT (16V Engine)

- a. Refer to Section 1.3.4 for main bearing details and install the upper *slotted* main bearing shells in the cylinder block.
- b. Apply clean engine oil to all crankshaft journals and place each crankshaft half in position in the cylinder block.
- c. Install the upper halves of the crankshaft thrust washers on each side of the rear main bearing support and the doweled lower halves on each side of the rear main bearing cap. *The grooved side of the thrust washers must face toward the crankshaft thrust surfaces.*
- d. With the lower main bearing shells (refer to Section 1.3.4) installed in the bearing caps, lubricate the bolt threads and bolt head contact areas with a small quantity of International Compound No. 2, or equivalent. Install all of the bearing caps, **except the two center caps** (No. 5 and No. 6 journals), and draw the bolts up snug. Then rap the caps sharply with a soft hammer to seat them properly.

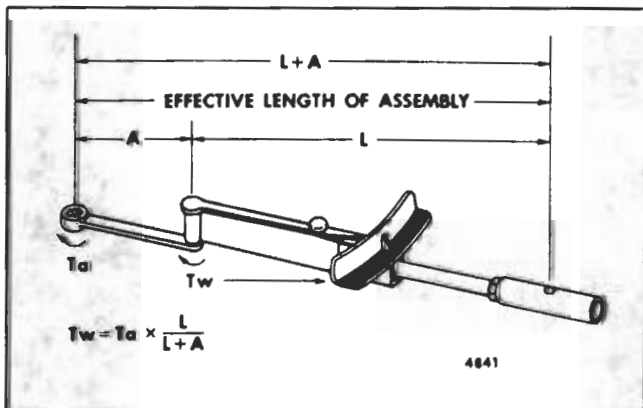


Fig. 10 - Calculating Torque When an Adaptor is Used

- e. Tighten each set of main bearing cap bolts uniformly tight to 230-240 lb-ft torque.

NOTE: If the bearings have been installed properly, the crankshaft halves will turn freely with the main bearing cap bolts drawn to the specified torque.

- f. Position a dial indicator on each of the two journals (No. 5 and No. 6).
- g. Rotate the crankshaft halves until the crankshaft assembly marks "F" and "R" (Fig. 9) are in alignment on the two crankshaft end flanges and install four of the bolts and nuts 90° apart.
- h. Snug up the four bolts and nuts and, while slowly rotating the crankshaft, tap the flanges. The two center adjacent journals **must be concentric** within .002" total indicator reading **and must not runout** more than .008" total indicator reading.
- i. Install the remaining bolts and nuts. Alternately torque each nut (180° apart) until all nuts have been tightened to 175-185 lb-ft torque. However, because of the space limitations, a torque wrench adaptor J 22898 must be used and the torque wrench reading must be adjusted due to the increase in length of the torque wrench with the adaptor in place. Use the following formula to determine the adjusted torque reading:

$$T_w = T_a (L/L + A)$$

EXAMPLE: If the effective length of the wrench

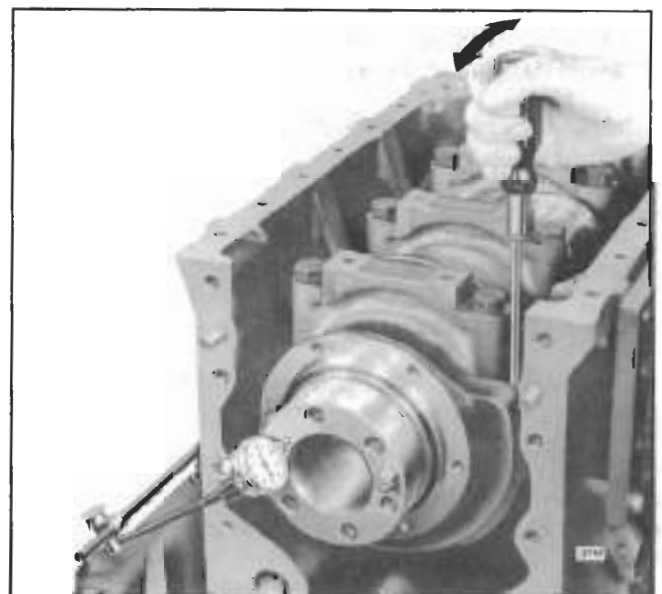


Fig. 11 - Checking Crankshaft End Play

(L) (Fig. 10) is 22 inches and the adaptor (A) is 3" long, you should have a reading of 158 lb-ft on the wrench to have the bolt tightened to 180 lb-ft torque.

$$\begin{aligned} T_w &= T_a (L/L + A) \\ T_w &= 180 (22/22 + 3) \\ T_w &= 180 (22/25) \\ T_w &= 158 \end{aligned}$$

- j. Install the two center main bearing caps.
2. Check the crankshaft end play by moving the crankshaft toward the gage (Fig. 11) with a pry bar. Keep a constant pressure on the pry bar and set the dial indicator to zero. Then remove and insert the pry bar on the other side of the bearing cap. Force the crankshaft in the opposite direction and note the amount of end play on the dial. The end play should be .004" to .014" with new parts or a maximum of .018" with used parts. Insufficient end play can be the result of a misaligned rear main bearing or a burr or dirt on the inner face of one or more of the thrust washers.
3. Install the cylinder liner, piston and connecting rod assemblies (Section 1.6.3).
4. Install the cylinder heads (Section 1.2).
5. Install the flywheel housing (Section 1.5), then install the flywheel (Section 1.4).
6. Install the crankshaft front cover and oil pump assembly.

NOTE: Install the oil seal spacer or inner cone *after* the crankshaft front cover is in place to avoid damage to the oil seal lip.
7. Install the engine front support.
8. Install the vibration damper inner cone or oil seal spacer.
9. Install the vibration damper assembly, if used.
10. Install the crankshaft cap or pulley.
11. Install the 16V engine lubricating oil pump assembly (Section 4.1).
12. On a 16V engine, check the crankshaft for distortion at the rear connecting rod journal counterweights *before* and *after* installing the power take-off reduction gear assembly, transmission or power generator. An improperly installed power take-off reduction gear assembly, transmission or power generator can distort the crankshaft and cause a crankshaft failure.

Check the crankshaft distortion as follows:

- a. Rotate the crankshaft clockwise until the crankshaft counterweights at the rear connecting rod journal are in the six o'clock position.
 - b. Center punch a hole in the inside face of each counterweight cheek, one quarter of an inch from the lower end of each counterweight, to support the gage.
 - c. Install a gage (Starrett Co. No. 696 dial gage, or equivalent) in the center punch holes in the cheek of each counterweight as shown in Fig. 12.
 - d. Set the dial indicator at zero, then rotate the crankshaft approximately 90° in both directions. Do not allow the gage to contact the connecting rod caps or bolts. Note and record the dial indicator readings at the 3, 6 and 9 o'clock crankshaft counterweight positions. The maximum allowable variation is .0045" total indicator reading.

NOTE: Remove the tool that was used to rotate the crankshaft when taking the dial indicator readings.
 - e. If the reading on the gage exceeds .0045", check the reduction gear, transmission or power generator for improper installation and realign as necessary.
13. Affix a new gasket to the oil pan flange and install the oil pan.

14. Use a chain hoist and sling attached to the lifting

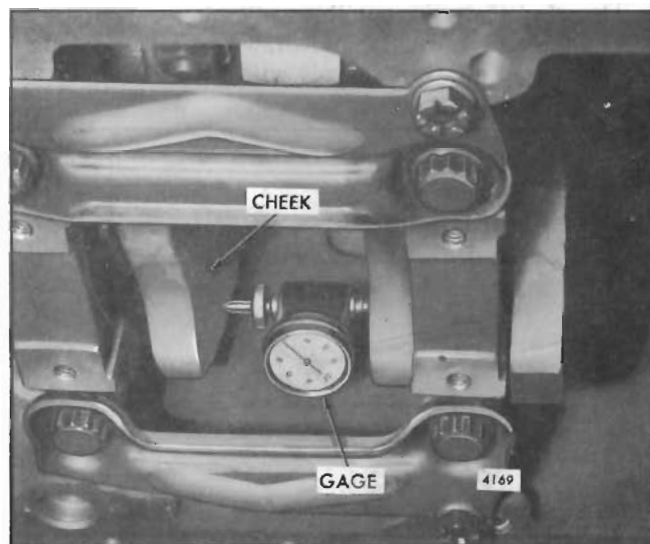


Fig. 12 - Crankshaft Distortion Measuring Gage Mounted on Crankshaft

bracket or eye bolts at each end of the engine and remove the engine from the overhaul stand.

15. Install all of the accessories that were removed.

16. After the engine has been completely reassembled, refer to the *Lubricating Oil Specifications* in Section 13.3 and refill the crankcase to the proper level on the dipstick.

17. Close all of the drains and fill the cooling system.

18. After replacing the main or connecting rod bearings or installing a new or reground crankshaft, operate the engine as outlined in the run-in schedule (Section 13.2.1).

Handwritten text, possibly a date or reference.

Handwritten text, possibly a date or reference.

CRANKSHAFT OIL SEALS

An oil seal is used at each end of the crankshaft to retain the lubricating oil in the crankcase. The sealing lips of the crankshaft oil seals are held firmly, but not tight, against the crankshaft sealing surfaces by a coil spring, thus preventing oil from escaping from the engine crankcase.

The front oil seal in 6V and 8V engines is pressed into the crankshaft front cover (Fig. 1). In 16V engines, the seal is pressed into the engine front cover or the trunnion assembly. The lip of the seal bears against a removable spacer or vibration damper inner cone on the end of the crankshaft.

A single-lip oil seal is used at the rear end of the crankshaft of most industrial engines. A double-lip oil seal is employed in all engines where there is oil on both sides of the oil seal; the lips of the two seals face in opposite directions. The rear oil seal is pressed into the flywheel housing (Fig. 2).

Remove Crankshaft Oil Seals

1. Remove the crankshaft front cover (Section 1.3.5) from a 6V or 8V engine. Remove the engine front cover or trunnion assembly from a 16V engine. Then remove the flywheel housing (Section 1.5) and examine the crankshaft oil seals.

2. Support the outer face of the cover, trunnion or housing on wood blocks.

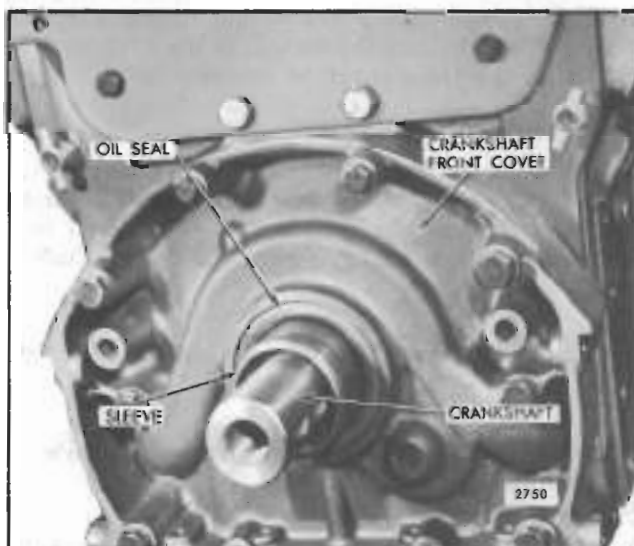


Fig. 1 - Typical Crankshaft Front Oil Seal Mounting

3. Drive the oil seal out and clean the seal bore in the cover or housing.

When necessary, the crankshaft oil seals may be taken out without removing the front cover, trunnion or flywheel housing. This may be done by drilling holes directly opposite each other in the seal casing and installing metal screws with flat washers. Remove the seals by prying against the flat washers with suitable pry bars.

Inspection

Oil leaks indicate worn or damaged oil seals. Oil seals may become worn or damaged due to improper installation, excessive main bearing clearances, excessive flywheel housing bore runout, grooved sealing surfaces on the crankshaft or oil seal spacers and out of square installation. To prevent a repetition of any oil seal leaks, these conditions must be checked and corrected.

Inspect the rear end of the crankshaft for wear caused by the rubbing action of the oil seal, dirt buildup or fretting by the action of the flywheel. The crankshaft surface must be clean and smooth to prevent damaging the seal lip when a new oil seal is installed.

Slight ridges may be removed from the crankshaft as outlined under *Inspection* in Section 1.3.

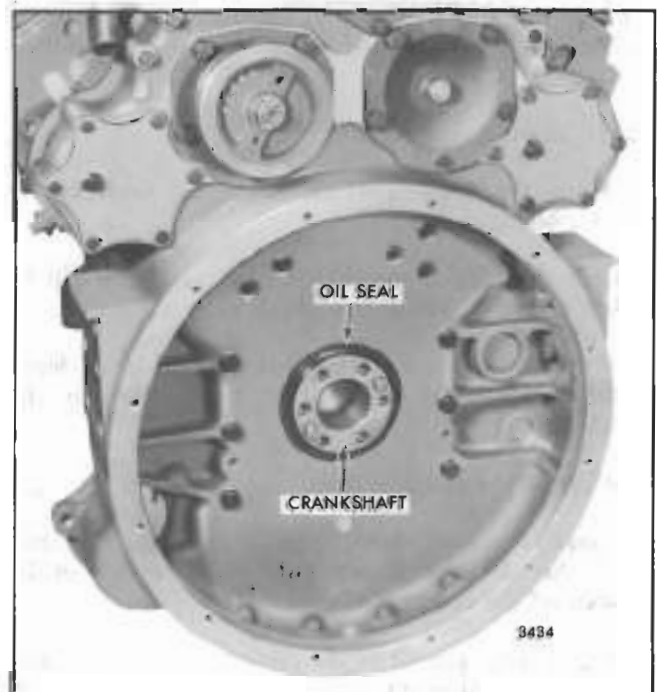


Fig. 2 - Crankshaft Rear Oil Seal Mounting

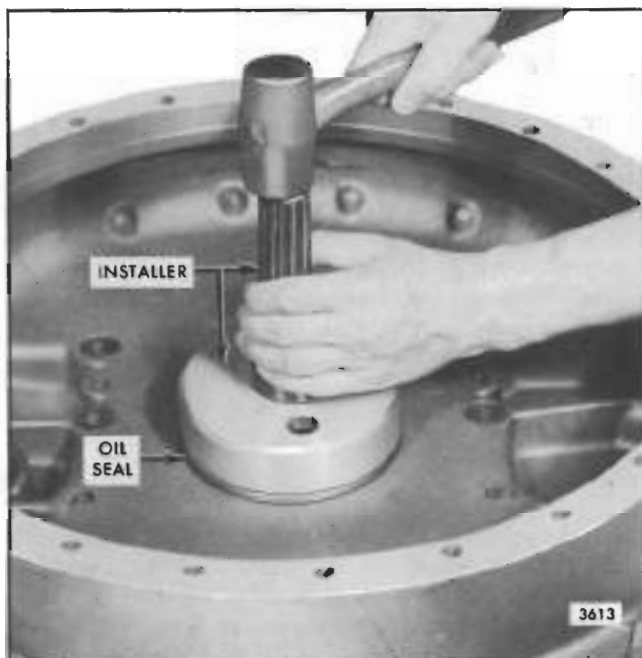


Fig. 3 - Installing Oil Seal in Flywheel Housing

An oil seal sleeve may be pressed on the crankshaft to provide a replaceable wear surface at the point of contact with the rear oil seal. The oil seal sleeve may be used with either the single-lip or double-lip type oil seal. However, an oversize oil seal must be used with the sleeve.

When required, an oil seal sleeve may also be used on the rear end of a 16V crankshaft.

On the 16V trunnion mounted engines, a replaceable sleeve is a component of the vibration damper hub (Section 1.3.6).

Install an oil seal sleeve as follows:

1. Stone the high spots from the oil seal contact surface of the crankshaft.
2. Coat the area of the shaft where the sleeve will be positioned with shellac or an equivalent sealant.
3. Press the sleeve on the shaft. Use oil seal sleeve installer J 4194-01 to position the sleeve on the crankshaft.
4. Wipe off the excess sealant.

To remove a worn sleeve, peen the outside diameter until the sleeve stretches sufficiently so it can be slipped off the end of the crankshaft.

The maximum runout of the oil seal bore in the front cover or trunnion on a 16V engine or the flywheel housing on all V-92 engines is .008". The bore may be

checked with a dial indicator mounted on the end of the crankshaft in a manner similar to the procedure for checking the flywheel housing concentricity as outlined in Section 1.5. This check must be made with the flywheel housing or 16V front cover or trunnion in place on the engine and the oil seal removed.

Oil Seals

Oil seals are made of an oil resistant synthetic rubber which is pre-lubricated with a special lubricant. *Do not remove this lubricant.* Keep the sealing lip clean and free from scratches. In addition, the outer surface of the casing has a plastic coating which acts as a sealant. Do not remove this coating.

Install Crankshaft Front Oil Seal

1. Apply grease or vegetable shortening to the sealing lip, then position the seal in the front cover or trunnion with the lip of the seal pointed toward the inner face of the cover.

NOTE: The vibration damper inner cone or oil seal spacer must be removed from 6V or 8V engines before installing the oil seal.

2. Drive a new oil seal into the crankshaft front cover on 6V or 8V engines with tool J 9783, which seats the oil seal in the bore. The tool is designed to drive only on the outer edge of the seal casing to prevent damage to the seal.

Drive or press the oil seal in a 16V engine front cover or trunnion with tool J 9727-1 and handle J 3154-1. This tool, which seats the oil seal in the bore, may be used with the front cover or trunnion on or off the engine.

If the engine front cover or trunnion was not removed from a 16V engine, place the oil seal expander J 22425 (standard size seal) or J 4195-01 and J 8092 (oversize seal) on the front end of the crankshaft to avoid damage to the oil seal lip.

3. Remove any excess sealant from the cover and the seal.
4. Install the crankshaft front cover or trunnion as outlined in Section 1.3.5.
5. Install the vibration damper inner cone or oil seal spacer after the front cover and seal assembly on a 6V or 8V engine is in place (refer to Section 1.3.6).

Install Crankshaft Rear Oil Seal

1. Support the inner face of the flywheel housing on a flat surface.
2. Position the seal with the lip pointed toward the inner face of the housing.
3. On a 6, 8 or 16V engine, drive or press the seal into the housing with installer J 21112 and handle J 3154-1 until it is flush with the inside surface of the housing (Fig. 3).

NOTE: Current flywheel housings have a machined counterbore adjacent to the rear oil seal. After the oil seal is installed, check the rear face of the seal case to be sure it is parallel to the counterbored surfaces. Also, for an effective outer diameter seal, be sure to push the

rear oil seal past the chamfer at the rear face of the flywheel housing.

If it is necessary to install a standard size oil seal with the flywheel housing on the engine, place the oil seal expander J 4239 (and expander stud set J 25002 for 8V engines) against the end of the crankshaft. Use expander J 8682 with handle J 8092 for an oversize seal. Then, with the lip of the seal pointed toward the engine, slide the seal over the tool and on the crankshaft. Remove the seal expander (and studs J 25002 on an 8V engine) and drive the seal in place with installer J 21112 and handle J 3154-1.

4. Remove any excess sealant from the flywheel housing and the seal.
5. Install the flywheel housing as outlined in Section 1.5.



CRANKSHAFT CAP

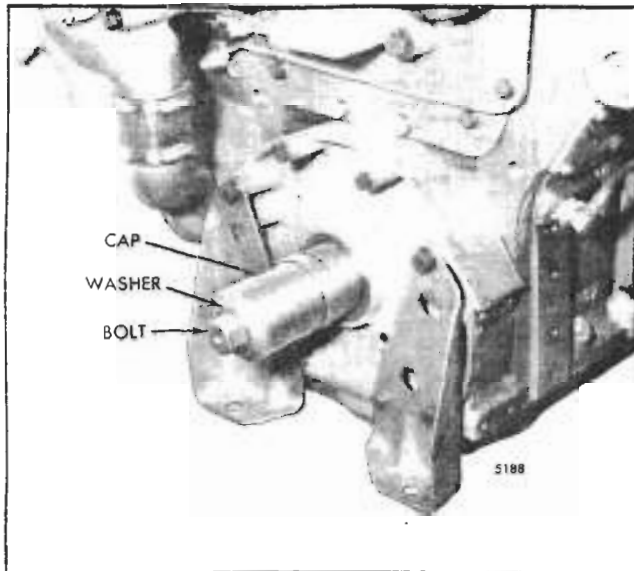


Fig. 1 - Crankshaft Cap Mounting

A crankshaft cap (Fig. 1) is installed on the front end of the crankshaft on engines which are not equipped with a crankshaft pulley. The crankshaft cap serves to securely fasten the vibration damper assembly to the crankshaft, or, when no vibration damper is used, the

cap secures the oil seal spacer. The cap is attached to the crankshaft by a special bolt and washer.

Engines incorporating a crankshaft pulley use a bolt and a special flat washer to retain the pulley in place. The bolt has a $7/32$ " center drill in the head for use of a hand tachometer when checking engine speed.

Tighten the crankshaft cap retaining bolt as follows:

1. Tighten the bolt to 180 lb-ft (244 Nm) torque.
2. Strike the end of the bolt a sharp blow with a 2 to 3 lb. lead hammer.
3. Tighten the bolt to 300 lb-ft (407 Nm) torque and strike the bolt again.
4. Tighten the bolt to 290-310 lb-ft (393-421 Nm) torque. *Do not strike the bolt after the final torque has been applied.*

The hex head of the crankshaft bolt may be used to bar, or turn, the crankshaft. However, the barring operation should always be performed in a clockwise direction. *It is very important to make certain that the bolt has not been loosened during the barring operation.* Otherwise serious engine damage may result if the vibration damper or pulley is not securely fastened to the crankshaft.

CRANKSHAFT MAIN BEARINGS

The crankshaft main bearing shells (Fig. 1) are precision made and are replaceable without machining. They consist of an upper bearing shell seated in each cylinder block main bearing support and a lower bearing shell seated in each main bearing cap. The bearing shells are prevented from endwise or radial movement by a tang at the parting line at one end of each bearing shell. The tangs on the lower bearing shells are off-center and the tangs on the upper bearing shells are centered to aid correct installation.

A through slot in each upper bearing shell registers with a vertical oil passage in the cylinder block. Lubricating oil, under pressure, passes from the cylinder block oil gallery by way of the bearing shells to the drilled passages in the crankshaft, then to the connecting rods and connecting rod bearings.

The lower main bearing shells have no oil grooves. Therefore, the upper and lower bearing shells must not be interchanged.

Thrust washers (Fig. 1), on each side of the rear main bearing, absorb the crankshaft thrust. The lower halves of the two-piece washers are doweled to the bearing cap; the upper halves are not doweled.

Main bearing trouble is ordinarily indicated by low or no oil pressure. All of the main bearing load is carried on the lower bearings; therefore, wear will occur on

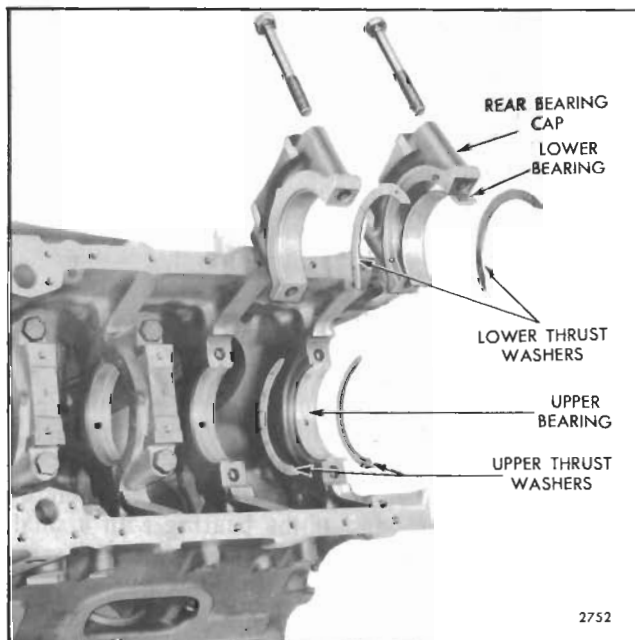


Fig. 1 - Main Bearing Shells, Bearing Caps and Crankshaft Thrust Washers

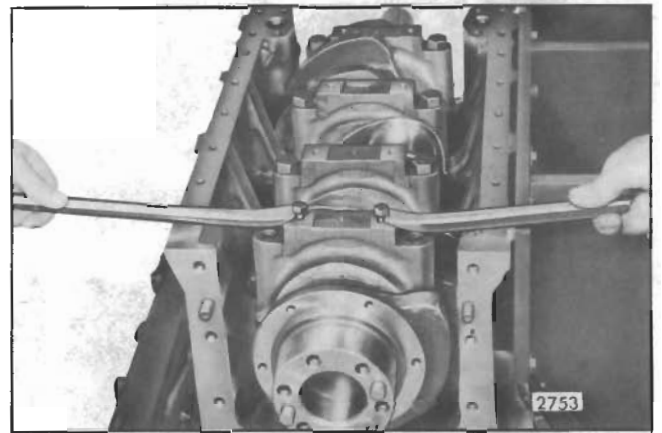


Fig. 2 - Removing Main Bearing Cap

the lower bearing shells first. The condition of the lower bearing shells may be observed by removing the main bearing caps.

If main bearing trouble is suspected, remove the oil pan, then remove the main bearing caps, one at a time, as outlined below and examine the bearing shells.

Remove Main Bearing Shells (Crankshaft in Place)

The bearing caps are numbered 1, 2, 3, etc., indicating

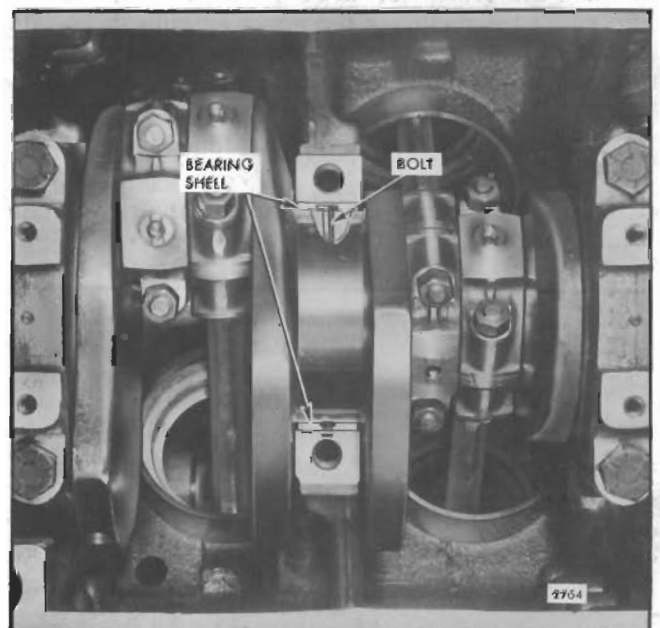


Fig. 3 - Removing Upper Main Bearing Shell (Except Rear Main)

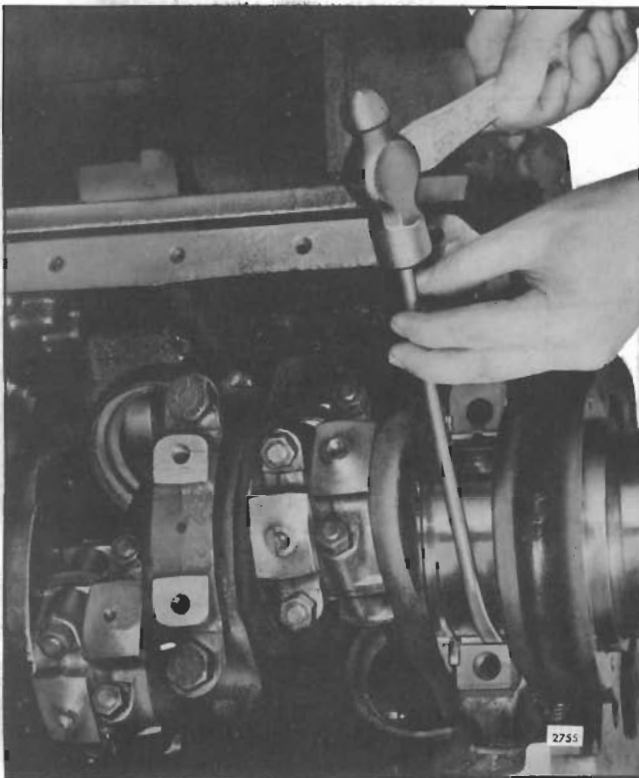


Fig. 4 - Removing Upper Rear Main Bearing Shell

their respective positions and, when removed, must always be reinstalled in their original position.

All crankshaft main bearing journals, except the rear journal, are drilled for an oil passage. Therefore, the procedure for removing the upper bearing shells with the crankshaft in place is somewhat different on the drilled journals than on the rear journal.

Remove the main bearing shells as follows:

1. Drain and remove the oil pan to expose the main bearing caps.

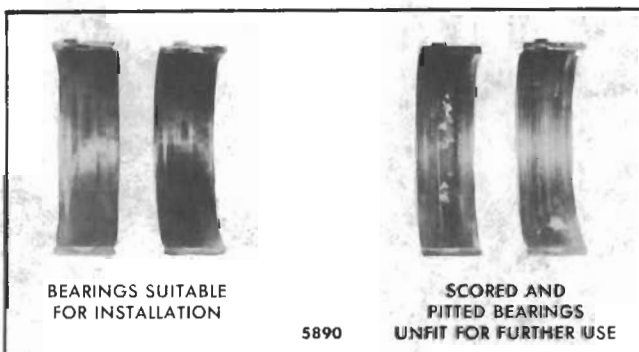


Fig. 5 - Comparison of Lower Main Bearing Shells

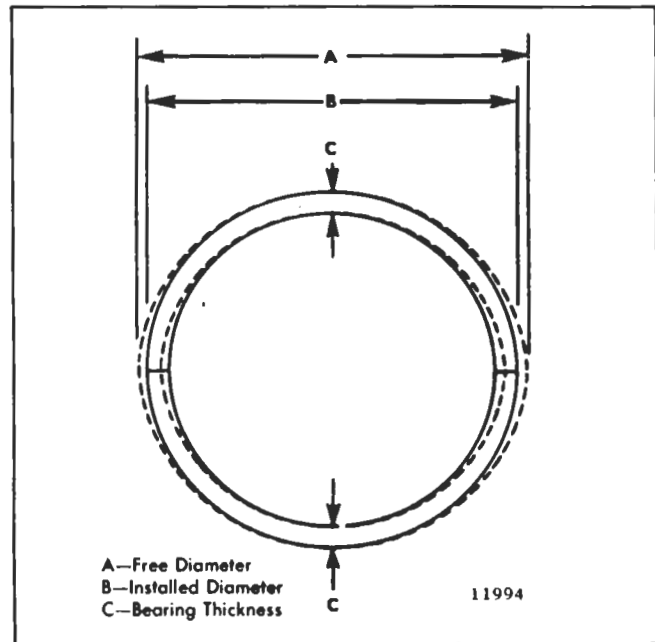


Fig. 6 - Main Bearing Measurements

2. Remove the oil pump and the oil inlet and outlet pipe assemblies.

NOTE: If shims are used between the oil pump and the main bearing caps, save the shims so that they may be re-installed in exactly the same location.

3. Remove one main bearing cap stabilizer at a time, place washers (equal to the thickness of the stabilizer) on the bearing cap bolts and re-install the bolts.

4. Remove one main bearing cap at a time (Fig. 2) and inspect the bearing shells as outlined under *Inspection*. Reinstall each bearing shell and bearing cap before removing another bearing cap:

a. To remove all except the rear main bearing shell, insert a 5/16" x 1" bolt with a 1/2" diameter and a 1/16" thick head (made from a standard bolt) into the crankshaft journal oil hole. Then revolve the shaft to the right (clockwise) and roll the bearing shell out of position as shown in Fig. 3. The head of the bolt must not extend beyond the outside diameter of the bearing shell.

b. Remove the rear main bearing upper shell by tapping on the edge of the bearing with a small curved rod, revolving the crankshaft at the same time to roll the bearing shell out as shown in Fig. 4.

c. The lower halves of the crankshaft thrust washers will be removed along with the rear main bearing cap. The upper halves of the washers can be

removed for inspection by pushing on the ends of the washers with a small rod, forcing them around and out of the main bearing support.

Inspection

Bearing failures may result from deterioration (acid formation) or contamination of the oil or loss of oil. An analysis of the lubricating oil may be required to determine if corrosive acid and sulphur are present which cause acid etching, flaking and pitting. Bearing seizure may be due to low oil or no oil.

Check the oil filter elements and replace them if necessary. Also check the oil by-pass valve to make sure it is operating freely.

After removal, clean the bearings and inspect them for scoring, pitting, flaking, etching, loss of babbitt or signs of overheating (Fig. 5). The lower bearing shells, which carry the load, will normally show signs of distress before the upper bearing shells. However, babbitt plated bearings may develop minute cracks or small isolated cavities on the bearing surface during engine operation. These are characteristics of and are not detrimental to this type of bearing. They should not be replaced for these minor surface imperfections since function of the bearings is in no way impaired and they will give many additional hours of trouble-free operation.

Inspect the backs of the bearing shells for bright spots which indicate they have been moving in the bearing caps or bearing supports. If such spots are present, discard the bearing shells.

Measure the thickness of the bearing shells at point "C", 90° from the parting line, as shown in Figs. 6 and 7. Tool J 4757, placed between the bearing shell and a micrometer, will give an accurate measurement. The bearing shell thickness will be the total thickness of the steel ball in the tool and the bearing shell, less the diameter of the ball. This is the only practical method for measuring the bearing thickness, unless a special micrometer is available for this purpose. The minimum thickness of a worn standard main bearing shell is .1540" and, if any of the bearing shells are thinner than this dimension, replace all of the bearing

Bearing Size	Bearing Thickness	Minimum Thickness
Standard	.1545"/.1552"	.154"
.002" Undersize	.1555"/.1562"	.155"
.010" Undersize	.1595"/.1602"	.159"
.020" Undersize	.1645"/.1652"	.164"
.030" Undersize	.1695"/.1702"	.169"

TABLE 1

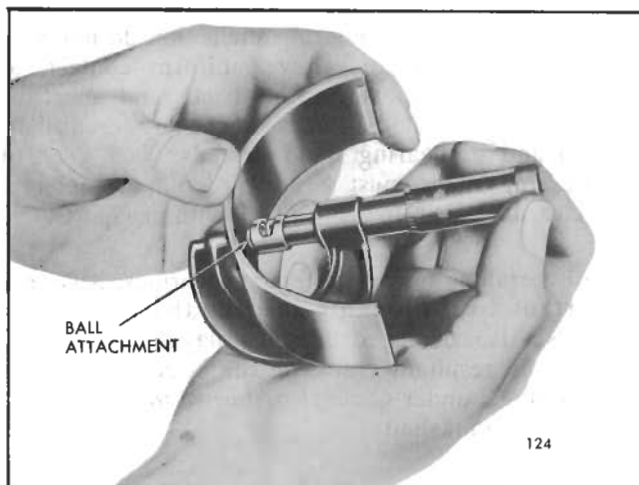


Fig. 7 - Measuring Thickness of Bearing Shell shells. A new standard bearing shell has a thickness of .1545" to .1552". Refer to Table 1.

In addition to the thickness measurement, check the clearance between the main bearings and the crankshaft journals. This clearance may be determined with the crankshaft in place by means of a soft plastic measuring strip which is squeezed between the journal and the bearing (refer to *Shop Notes* in Section 1.0). With the crankshaft removed, measure the outside diameter of the crankshaft main bearing journals and the inside diameter of the main bearing shells when installed in place with the proper torque on the bearing cap bolts. When installed, the bearing shells are .001" larger in diameter at the parting line than 90° from the parting line.

The bearing shells do not form a true circle when not installed. When installed, the bearing shells have a squeeze fit in the main bearing bore and must be tight when the bearing cap is drawn down. This crush

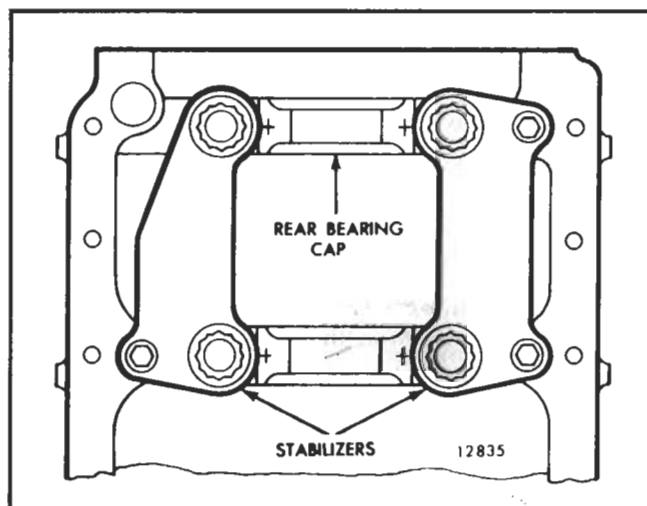


Fig. 8 - Stabilizers Mounted on Block

assures a tight, uniform contact between the bearing shell and bearing seat. Bearing shells that do not have sufficient crush will not have uniform contact, as shown by shiny spots on the back, and must be replaced. If the clearance between any crankshaft journal and its bearing shells exceeds .0060", all of the bearing shells must be discarded and replaced. This clearance is .0016" to .0050" with new parts.

Before installing new replacement bearings, it is very important to thoroughly inspect the crankshaft journals. Also, damaged bearings may cause bending fatigue and resultant cracks in the crankshaft. Refer to Section 1.3 under *Crankshaft Inspection* for inspection of the crankshaft.

Do not replace one main bearing shell alone. If one bearing shell requires replacement, install all new upper and lower shells. Also, if a new or reground crankshaft is to be used, install all new bearing shells.

Bearing shells are available in .010", .020" and .030" undersize for service with reground crankshafts. To determine the size bearings required, refer to *Crankshaft Grinding* in Section 1.3. Bearings which are .002" undersize are available to compensate for slight journal wear where it is unnecessary to regrind the crankshaft. Make sure the correct clearances are maintained when using these parts.

NOTE: Bearing shells are NOT reworkable from one undersize to another under any circumstances.

Inspect the crankshaft thrust washers. If the washers are scored or worn excessively or the crankshaft end play is excessive, they must be replaced. Improper clutch adjustment can contribute to excessive wear on the thrust washers. Inspect the crankshaft thrust surfaces. Refer to *Install Crankshaft* in Section 1.3. If, after dressing or regrinding the thrust surfaces new standard size thrust washers do not hold the crankshaft end play within the specified limits, it may be necessary to install oversize thrust washers on one or both sides of the rear main bearing. A new standard size thrust washer is .1190" to .1220" thick. Thrust washers are available in .005" and .010" oversize.

Bearing cap stabilizers (Fig. 8) are used at all main bearing cap positions on the 6V, 8V and 16V engine cylinder blocks.

Install Main Bearing Shells (Crankshaft in Place)

Make sure all of the parts are clean. Then apply clean

engine oil to each crankshaft journal and install the upper main bearing shells by reversing the sequence of operations given for removal.

The upper and lower main bearing shells are not alike. The upper shell has a through slot for lubrication, the lower shell does not. Be sure to install the grooved slot shells in the cylinder block and the plain bearing shells in the bearing caps, otherwise the oil flow to the bearings and to the upper end of the connecting rods will be blocked off. Used bearing shells must be reinstalled on the same journal from which they were removed.

1. When installing an upper main bearing shell with the crankshaft in place, start the plain end of the shell around the crankshaft journal so that, when the bearing is in place, the tang will fit into the groove in the bearing support.

2. Install the lower main bearing shell so that the tang on the bearing fits into the groove in the bearing cap.

3. Assemble the crankshaft thrust washers before installing the rear main bearing cap. Clean both halves of the thrust washer carefully and remove any burrs from the washer seats -- the slightest burr or particle of dirt may decrease the clearance between the washers and the crankshaft beyond the specified limit. Slide the upper halves of the thrust washers into place. Then, assemble the lower halves over the dowel pins in the bearing cap.

NOTE: The main bearing caps are bored in position and marked 1, 2, 3, etc. They must be installed in their original positions in the cylinder block.

4. With the lower bearing shells installed in the bearing caps, apply a small quantity of International Compound No. 2, or equivalent, to the bolt threads and the bolt head contact area. Install the bearing caps and bearing cap stabilizers and draw the bolts up snug. Then rap the caps sharply with a soft hammer to seat them properly. Tighten all bolts (except the rear main bearing bolts) to 250-260 lb-ft (339-352 Nm) torque starting with the center bearing cap bolts and working alternately towards both ends of the block. Tighten the rear main bearing bolts to 40-50 lb-ft (54-68 Nm) torque. Strike both ends of the crankshaft two or three sharp blows with a soft hammer to insure proper positioning of the rear main bearing cap in the block saddle. Re-torque all bearing bolts to 250-260 lb-ft (339-352 Nm). Tighten the 7/16"-14 stabilizer bolts to 70-75 lb-ft (95-102 Nm) torque.

NOTE: If the bearings have been installed properly, the crankshaft will turn freely with all of the main bearing cap bolts drawn to the specified torque.

NOTE: An improved new main bearing cap bolt (11/16" - 11 x 6 3/4") with a rolled fillet under the head for strength is now being used in production and is the only bolt available for service. Replace the former main bearing cap bolt with the new bolt at time of repair or rebuild.

5. Check the crankshaft end play as outlined under *Install Crankshaft* in Section 1.3.
6. Install the lubricating oil pump and the oil inlet and outlet pipe assemblies.

NOTE: If shims were used between the pump and the bearing caps, install them in their original positions. Then check the oil pump gear clearance (Section 4.1).

7. Install the oil pan, using a new gasket.
8. Fill the crankcase to the proper level on the dipstick with *heavy-duty* lubricating oil of the recommended grade and viscosity (refer to *Lubricating Oil Specifications* in Section 13.3).
9. After installing new bearing shells, operate the engine on a run-in schedule as outlined in Section 13.2.1.

SECRET

... ..
... ..
... ..

... ..
... ..
... ..

... ..
... ..

ENGINE FRONT COVER (Lower)

The engine front cover is mounted against the cylinder block at the lower front end of the engine (Fig. 1). It serves as a retainer for the crankshaft front oil seal. On 6V and 8V engines, this cover also serves as the lubricating oil pump housing. The engine is supported at the front end by engine supports attached to the front cover.

It will be necessary to remove the engine front cover to remove and install the crankshaft or when the engine is overhauled. Also, the front cover must be removed to service the lubricating oil pump on certain 6V and 8V engines. In addition, the front cover used with trunnion mounts must be removed to replace the crankshaft front oil seal.

Remove Engine Front Cover

1. Drain the oil. Then remove the four oil pan-to-front cover attaching bolts and lock washers. Loosen all of the remaining oil pan bolts so the oil pan and gasket can be lowered approximately 1/4" at the front end of the engine.

CAUTION: Be careful not to damage the gasket. Otherwise, it will be necessary to remove the oil pan and replace the gasket.

2. Remove the crankshaft pulley (Section 1.3.7) and vibration damper (Section 1.3.6), if used, and any other accessories that may be mounted on the front end of the crankshaft.



Fig. 1 - Engine Front Cover Mounting
(6V and 8V Engines)

3. Remove the vibration damper inner cone or oil seal spacer.

4. Disconnect the lubricating oil pump inlet tube at the bottom of the front cover on 6V or 8V engines.

5. Remove the cover to cylinder block attaching bolts.

6. Strike the edges of the cover alternately on each side with a soft hammer to free it from the dowels. Then pull the cover straight off the end of the crankshaft.

7. Remove the gasket from the cover or the cylinder block.

8. Replace the oil seal (Section 1.3.2).

Install Engine Front Cover

With the oil pump installed (6V and 8V engines, Section 4.1) and the oil seal installed, refer to Fig. 2 and install the front cover as follows:

1. Affix a new gasket to the inner face of the cover.

2. Coat the lip of the oil seal lightly with cup grease or vegetable shortening.

3. Install the front cover using oil seal expander J 22425 (standard size seal) or J 4195 and J 8092 (oversize seal) to pilot the oil seal over the crankshaft. Position the cover over the crankshaft and up against the cylinder block. Remove the oil seal expander.

4. Install the cover attaching bolts and lock washers and tighten the 3/8" - 16 bolts to 25-30 lb-ft (34-41 Nm) torque and the 1/2" - 13 bolts to 80-90 lb-ft (108-122 Nm) torque.

NOTE: Studs are provided on certain engines to allow for installation of front support and idler pulley mounting brackets.

5. Apply engine oil to the vibration damper inner cone or oil seal spacer and slide it in place on the crankshaft.

6. Affix a new gasket to the flange on the oil pump inlet tube (6V or 8V engine) and attach the tube to the bottom of the engine cover.

7. Install the four oil pan-to-front cover attaching bolts and lock washers. Tighten all of the oil pan attaching bolts to 15-20 lb-ft (20-27 Nm) torque.

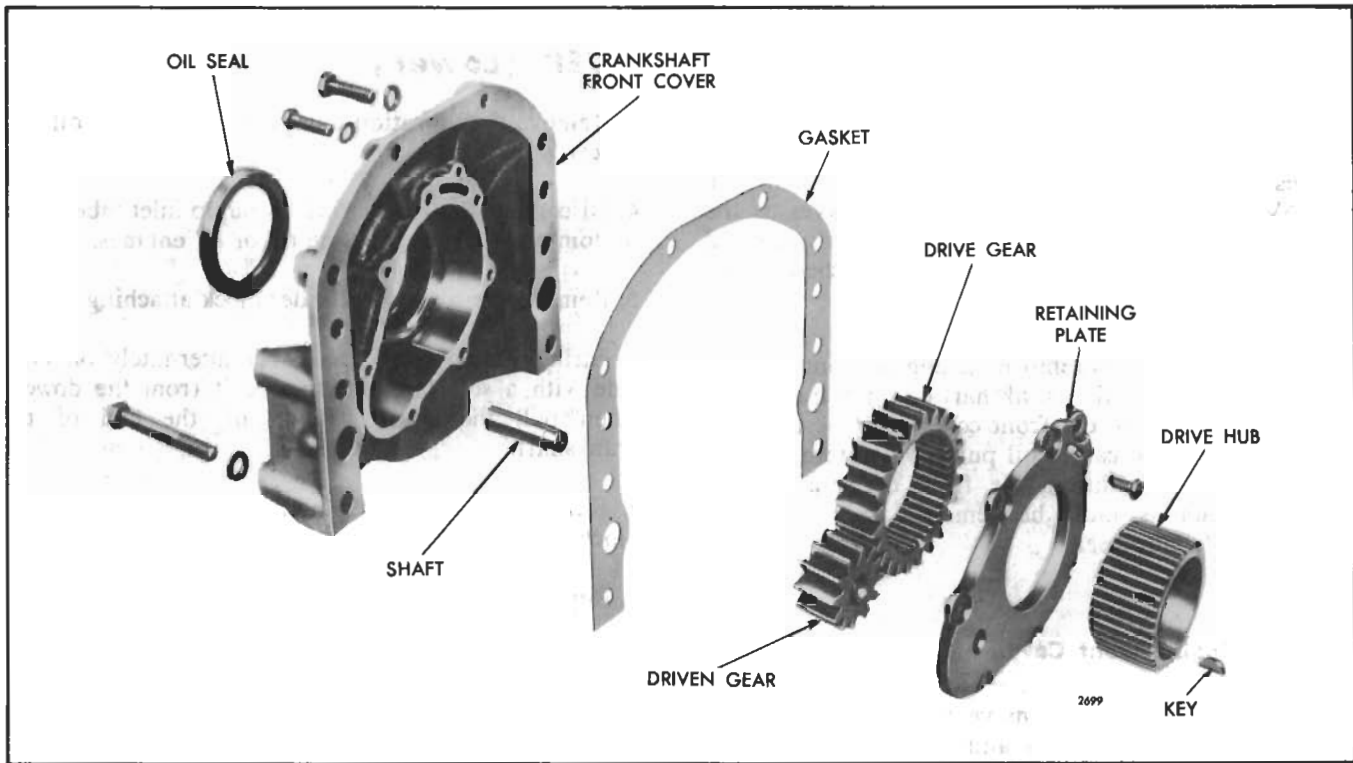


Fig. 2 - Front Cover Details and Relative Location of Parts (6V and 8V Engines)

8. Install the vibration damper (Section 1.3.6) and the crankshaft pulley (Section 1.3.7) and any other accessories that were removed.

9. Refer to *Lubricating Oil Specifications* in Section 13.3 and fill the crankcase with oil to the proper level on the dipstick.

CRANKSHAFT OUTBOARD BEARING SUPPORT (Trunnion) (16V Engines)

A crankshaft outboard bearing support (trunnion), Fig. 1, is provided on 16V industrial engines to give additional frontal support to the crankshaft. The bearing support (trunnion), which is attached to the engine front cover, incorporates a clevis bearing (bushing) and serves as a retainer for the crankshaft front oil seal. Oil seal rings ("O" rings) are used between the engine front cover and the bearing support.

Lubrication of the bearing and the crankshaft is provided from the engine front oil gallery through an external oil tube to a drilled and tapped oil passage in the bearing support (Fig. 2).

The bearing support should not require any servicing, except for replacement of the bearing or the oil seal, when such becomes necessary.

It will be necessary to remove the bearing support when replacement of the bearing is required.

Remove Outboard Bearing Support (Trunnion)

1. Remove the trunnion (engine) support (Fig. 2).
2. Remove the outboard bearing to cylinder block oil tube.

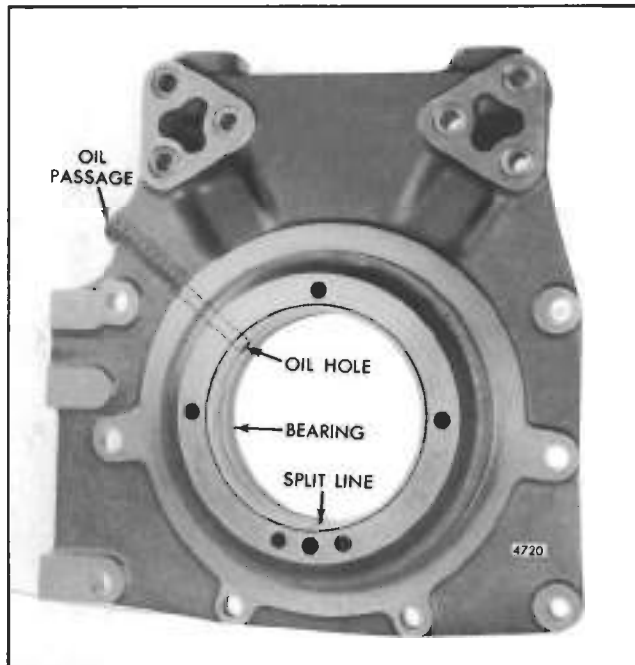


Fig. 1 - Outboard Bearing Support (Trunnion)

3. Remove the outboard bearing support (trunnion).
4. Inspect the bearing in the support and replace it if necessary. When installing a new bearing, press the bearing in flush with the outer surface of the support. Also be sure the lubricating hole in the bearing lines up with the drilled oil passage, and the split line in the bearing is at the bottom of the support, otherwise oil fed to the bearing and crankshaft will be blocked off (Fig. 1).
5. Replace the oil seal (refer to Section 1.3.2).

Install Outboard Bearing Support (Trunnion)

1. Install a new large seal ("O" ring) and six new small seal rings on the back side of the bearing support (trunnion), Fig. 2.

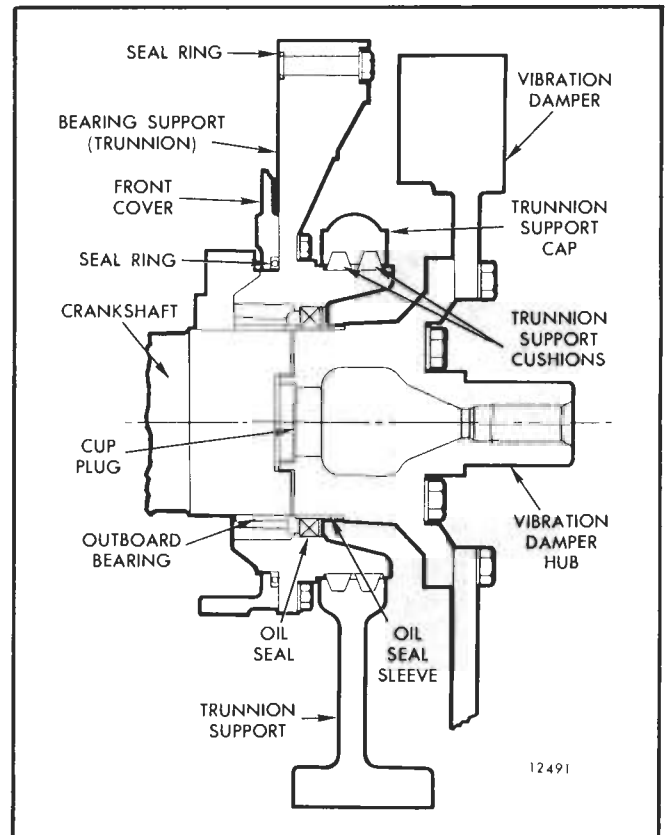


Fig. 2 - Outboard Bearing Support (Trunnion) Details

2. Lubricate the bearing with clean engine oil and coat the lip of the oil seal with cup grease or vegetable shortening and guide the bearing support over the crankshaft. Use oil seal expander J 4195 and J 8092 to pilot the seal over the crankshaft and against the engine front cover, with the engine in an upright position. Remove the oil seal expander.

3. Install the attaching bolts and lock washers. Hold the bearing support in a downward position with light hand pressure while tightening the bolts. First snug all of the bolts with a hand wrench, then tighten them to the torque shown in Section 1.0.

4. Check the bearing to crankshaft clearance with a 1/4" wide feeler gage. All of the vertical clearance must appear at the bottom of the crankshaft and must not be less than .003" or more than .008" with the bearing support in the downward position.

5. Install the bearing support to cylinder block oil tube. Be sure the tube is clean and free of obstructions. Fill the drilled feed hole in the support with clean engine oil before connecting the tube (Fig. 1).

6. Install the trunnion support with two 5/8" -11 bolts and lock washers. Tighten the bolts to 137-147 lb-ft (186-200 Nm) torque.

CRANKSHAFT VIBRATION DAMPER

A 12 inch (8V engine) and a 15 inch (16V engine) viscous type vibration damper is mounted on the front end of the crankshaft to reduce crankshaft stresses to a safe value (Fig. 1). The vibration damper is bolted to a hub which is retained on the front end of the crankshaft.

A viscous type vibration damper consists of an inertia mass (flywheel) enclosed in a fluid-tight outer case but separated therefrom by a thin layer of viscous liquid. Any movement of the inertia mass, therefore, is resisted by the friction of the fluid, which tends to dampen excessive torsional vibrations in the crankshaft.

The vibration damper must be removed whenever the crankshaft, crankshaft front oil seal, crankshaft front cover or trunnion assembly is removed.

Remove Vibration Damper From Crankshaft (8V Engine)

1. Remove the crankshaft pulley retaining bolt and washer.
2. Remove the crankshaft pulley. If required, use a suitable puller to remove the pulley.
3. Reinstall the pulley retaining bolt in the end of the crankshaft.
4. Attach puller J 4558 to the vibration damper hub, as shown in Fig. 2, with two long bolts threaded into

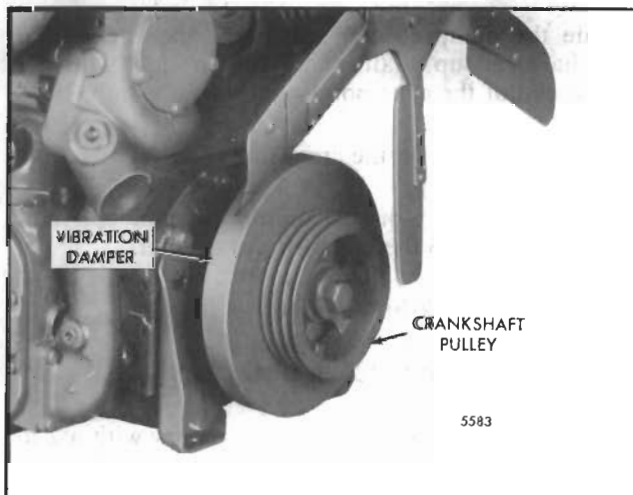


Fig. 1 - Vibration Damper Mounting (8V Engine)

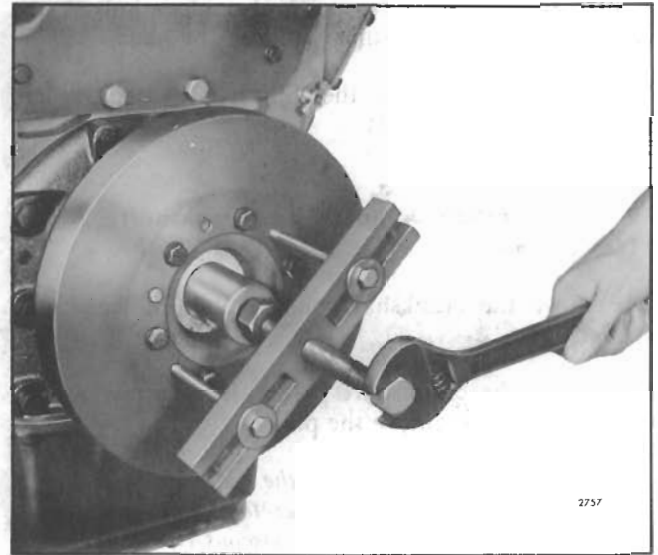


Fig. 2 - Removing Vibration Damper Outer Cone

the two 3/8"-24 tapped holes provided in the hub. Pull the damper and hub assembly together with the outer cone, until the outer cone is loose on the crankshaft. If the puller method does not free the damper, use a punch in the split of the cone to pop the cone out.

5. Remove the puller from the damper hub and pull the outer cone off the crankshaft.

CAUTION: Pounding on the damper with a hammer or prying with other tools must not be resorted to when removing a viscous type damper from the crankshaft. Dents in the damper outer

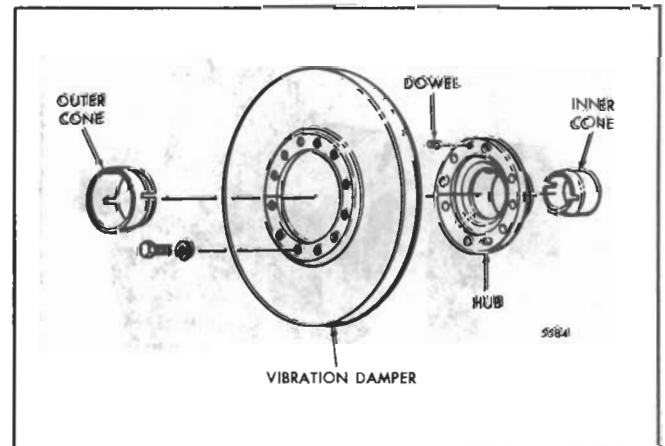


Fig. 3 - Vibration Damper Details and Relative Location of Parts (8V Engine)

case may render the damper ineffective. The damper cannot be repaired.

6. Slide the vibration damper and damper hub as an assembly off the end of the crankshaft by hand.

7. If necessary, remove the vibration damper inner cone from the crankshaft.

Remove Vibration Damper From Crankshaft (16V Engine)

1. Remove the crankshaft pulley retaining bolt and washer.

2. Remove the crankshaft pulley. If required, use a suitable puller to remove the pulley.

CAUTION: Pounding on the damper with a hammer or prying with other tools must not be resorted to when removing a viscous type damper from the crankshaft. Dents in the damper outer case may render the damper ineffective. The damper cannot be repaired.

3. Remove the bolts securing the vibration damper to the hub and lift the damper off the hub.

Inspect Vibration Damper

The viscous type damper should be inspected for dents, nicks, fluid leaks or bulges in the outer casing of the damper. Any indications of the above are sufficient causes for rejection. Due to the close clearances between the damper internal flywheel and outer casing, dents may render the damper ineffective.

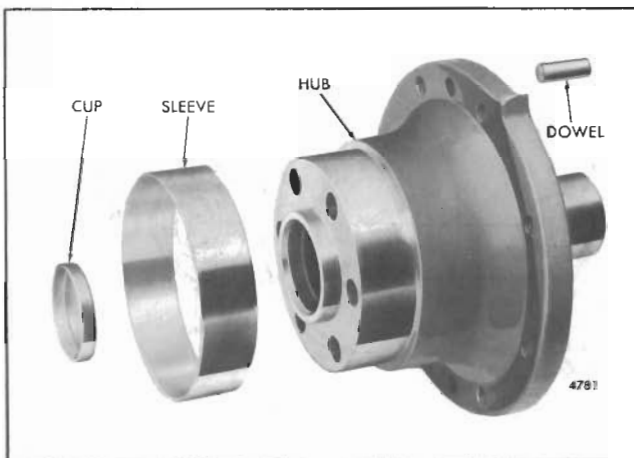


Fig. 4 - 16V Trunnion Mounted Vibration Damper Hub Details and Relative Location of Parts

Regardless of condition, a viscous type damper must be replaced at time of normal major engine overhaul.

If damage to the vibration damper is extensive, inspect the crankshaft as outlined in Section 1.3. A loose or defective vibration damper, after extended operation, may result in a cracked crankshaft.

Inspect the damper inner and outer cones, damper hub (Fig. 3) and the end of the crankshaft for galling or burrs. Slight scratches or burrs may be removed with emery cloth. If seriously damaged, replace the parts and refinish the end of the crankshaft. Check the outside diameter of the inner cone for wear at the crankshaft front oil seal contact surface. If worn, replace the oil seal and cone (refer to Section 1.3.2).

Inspect the vibration damper hub sleeve (16V trunnion mounted engines) for wear at the trunnion oil seal contact surface (Fig. 4). If worn, replace the sleeve (refer to Section 1.3.2).

Install Vibration Damper on Crankshaft (8V Engine)

1. If removed, pilot the damper inner cone over the end of the crankshaft, through the oil seal and up against the oil slinger, with the tapered end of the cone pointing toward the front end of the crankshaft.

2. Slide the vibration damper and hub as an assembly over the end of the crankshaft (long end of hub facing inner cone) and up against the damper inner cone. Do not hit the damper with a hammer to position it on the crankshaft.

3. Slide the damper outer cone over the end of the crankshaft and up against the damper hub, with the tapered end of the cone pointing toward the hub.

4. Install the pulley on the crankshaft.

5. Place the washer on the crankshaft end bolt and thread the bolt into the end of the crankshaft.

6. Tighten the crankshaft end bolt as follows:

- a. Tighten the bolt to 180 lb-ft torque.
- b. Strike the end of the bolt a sharp blow with a 2 to 3 pound lead hammer.
- c. Tighten the bolt to 300 lb-ft torque and strike the bolt again.
- d. Retighten the bolt to 290-310 lb-ft torque.

Install Vibration Damper (16V Engine)

1. Install the hub on the front end of the crankshaft, if it was removed. Tighten the hub attaching bolts to 107-117 lb-ft torque.

NOTE: On 16V trunnion mounted engines, if the cup plug in the rear of the vibration damper hub was removed, replace it with a new cup plug.

2. Secure the vibration damper to the hub on the front end of the crankshaft with bolts and lock washers. Do not hit the damper with a hammer to position it on the crankshaft. Tighten the bolts to 71-75 lb-ft torque.

3. Drive the crankshaft pulley, if used, straight on the hub with a block of wood and a hammer.

4. Place the washer on the crankshaft end bolt and thread the bolt into the end of the crankshaft.

5. Tighten the crankshaft end bolt as follows:

- a. Tighten the bolt to 180 lb-ft torque.
- b. Strike the end of the bolt a sharp blow with a 2 to 3 pound lead hammer.
- c. Tighten the bolt to 300 lb-ft torque and strike the bolt again.
- d. Retighten the bolt to 290-300 lb-ft torque.

CRANKSHAFT PULLEY

The engines are equipped with either rigid type or rubber mounted type pulleys, depending on the engine application. Rubber mounted pulleys incorporate a rubber insulator between the pulley and the pulley hub, for vibration isolation, and a static clip on some engines, between the pulley and the hub, for releasing electrical charges.

The crankshaft pulley is keyed to the crankshaft and secured with a special washer and bolt.

Inspection

The condition of a rubber mounted crankshaft pulley cannot be determined by the appearance of the rubber. The only reliable method of checking for failure of the rubber bushing is to hold the crankshaft stationary and apply torque to the pulley. If the pulley cannot be slipped with up to 300 ft-lb torque, the bushing is in satisfactory condition. An unsatisfactory rubber bushing should be replaced.

Remove Crankshaft Pulley

1. Remove the pulley retaining bolt and washer and static clip, if used.
2. Remove the pulley using a suitable puller or thread

the pulley retaining bolt halfway into the crankshaft and strike the bolt with a 2 to 3 pound lead hammer while prying behind the pulley with two pry bars. Keep the ends of the pry bars as close to the crankshaft as possible.

If tapped holes are provided, install the pulley bolt in the end of the crankshaft then, using puller J 4558, remove the pulley from the crankshaft.

Install Crankshaft Pulley

1. Place the Woodruff keys in the key slots in the front end of the crankshaft, if they were removed.
2. Slide the pulley on the end of the crankshaft.
3. Place the washer and static clip, if used, on the bolt and thread the bolt into the end of the crankshaft.
4. Tighten the crankshaft end bolt as follows:
 - a. Tighten the bolt to 180 lb-ft torque.
 - b. Strike the end of the bolt a sharp blow with a 2 to 3 pound lead hammer.
 - c. Tighten to 300 lb-ft torque and strike the bolt again.
 - d. Tighten the bolt to 300 lb-ft torque.



FLYWHEEL

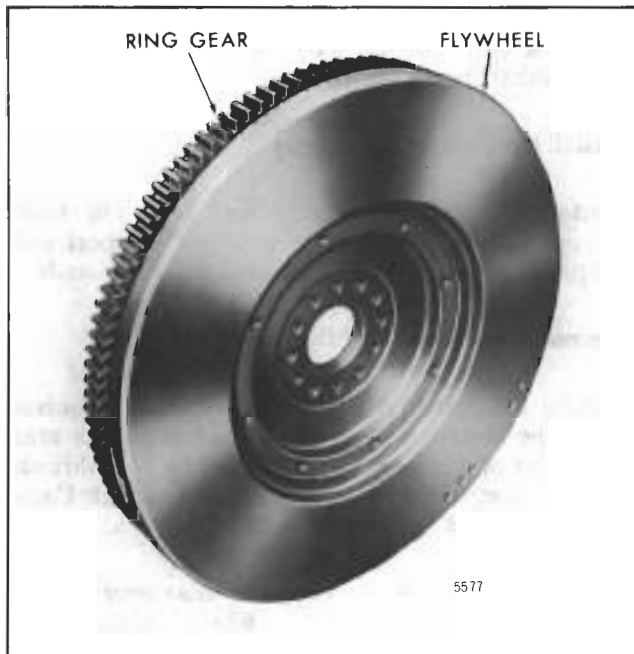


Fig. 1 - Typical Flywheel Assembly

The flywheel (Fig. 1) is attached to the rear end of the crankshaft with twelve self-locking bolts on 8V engines only. Six bolts are used on the 6V and 16V engines. A scuff plate is used between the flywheel and the bolt heads to prevent the bolt heads from scoring the flywheel surface.

A steel ring gear, which meshes with the starting motor pinion, is shrunk onto the rim of the flywheel.

On some engines, a split tube type retainer (Fig. 2) is driven in the end of the crankshaft to prevent the pilot bearing from entering the crankshaft cavity.

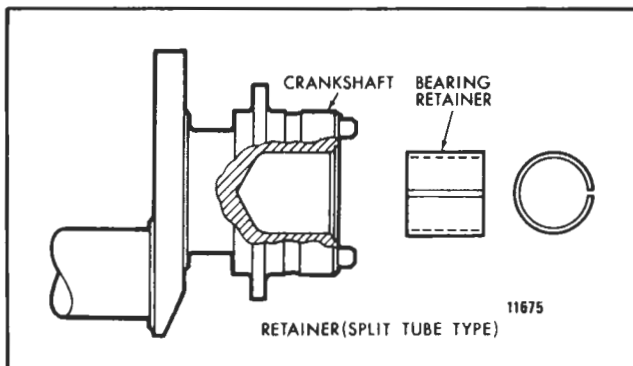


Fig. 2 - Pilot Bearing Retainer

On certain applications, a clutch wear plate is bolted to the flywheel.

The flywheel must be removed for service operations such as replacing the starter ring gear, crankshaft or flywheel housing.

Remove Flywheel (Transmission Removed)

1. Remove two flywheel bolts. Install two suitable guide pins in these holes to support the flywheel.
2. Remove the remaining flywheel attaching bolts and scuff plate.
3. Attach flywheel lifting tool J 25026, or some other suitable safe lifting device, to the flywheel.
4. Attach a chain hoist to the lifting tool to support the flywheel.
5. Remove the flywheel from the crankshaft and the flywheel housing.
6. Remove the clutch pilot bearing, if used, as outlined in Section 1.4.1.
7. If used, it is not necessary to remove the split-tube type bearing retainer from the crankshaft.

Inspection

Check the clutch contact surface of the flywheel or wear plate for cracks or wear. If the flywheel is cracked or worn, it may be refaced. *Do not* remove more than .020" of metal from the flywheel. Maintain all of the radii when refacing the flywheel. If cavities (porosity) of any size appear, fill them so no damage can result to the clutch.

Replace the ring gear if the gear teeth are excessively worn or damaged.

Check the butt end of the crankshaft and flywheel contact surface. If necessary, lightly stone the crankshaft end and the flywheel contact surface to remove any fretting or brinelling.

On crankshafts with dowels, be sure and check the dowel extension. Dowels must not extend more than 1/2" from the crankshaft.

Make sure that the crankshaft and flywheel contact surfaces and the bolt threads in the crankshaft end are clean and dry, to ensure proper metal-to-metal

contact and maximum friction, before attaching the flywheel.

New bolts should be used to mount or remount the flywheel. However, if the original bolts are determined to be serviceable and are to be reused, clean them thoroughly before starting the assembly procedure.

The flywheel bolt tap depth in the 8V engine crankshaft has been reduced from 2.620" to 1.620" with approximate engine serial number 8VF-3120. With this change, shorter flywheel attaching bolts are used. The current shorter bolts can be used with the former crankshaft.

Remove Ring Gear

Note whether the ring gear teeth are chamfered. The replacement gear must be installed so that the chamfer on the teeth faces the same direction with relationship to the flywheel as on the gear that is to be removed. Then remove the ring gear as follows:

1. Support the flywheel, crankshaft side down, on a solid flat surface or hardwood block which is slightly smaller than the inside diameter of the ring gear.
2. Drive the ring gear off the flywheel with a suitable drift and hammer. Work around the circumference of the gear to avoid binding the gear on the flywheel.

Install Ring Gear

1. Support the flywheel, ring gear side up, on a solid flat surface.
2. Rest the ring gear on a flat metal surface and heat the gear uniformly with an acetylene torch, keeping the torch moving around the gear to avoid hot spots.

CAUTION: Do not, under any circumstances, heat the gear over 400° F (204° C); excessive heat may destroy the original heat treatment.

NOTE: Heat indicating "crayons", which are placed on the ring gear and melt at a pre-determined temperature, may be obtained from most tool vendors. Use of these "crayons" will ensure against overheating the gear.

3. Use a pair of tongs to place the gear on the flywheel with the chamfer, if any, facing the same direction as on the gear just removed.
4. Tap the gear in place against the shoulder on the flywheel. If the gear cannot be tapped into place readily so that it is seated all the way around, remove it and apply additional heat, noting the above caution.

Install Flywheel

1. Attach the flywheel lifting tool and, using a chain hoist, position the flywheel in the flywheel housing (use guide studs). Align the flywheel bolt holes with the crankshaft bolt holes.
2. Install the clutch pilot bearing (if used).
3. Install two bolts through the scuff plate 180° from each other. Snug the bolts to hold the flywheel and scuff plate to the crankshaft. Remove the guide studs.
4. Remove the flywheel lifting tool.
5. Apply International Compound No. 2, or equivalent, to the threads and to the bolt head contact area (underside) of the remaining bolts. The bolt threads must be completely filled with International Compound No. 2 and any excess wiped off.

NOTE: International Compound must never be used between two surfaces where maximum friction is desired, as between the crankshaft and the flywheel.

6. Install the remaining bolts and run them in snug.
7. Remove the two bolts used temporarily to retain the flywheel, apply International Compound No. 2 as described above, then reinstall them.
8. Use an accurately calibrated torque wrench and tighten the bolts to 50 lb-ft (68 Nm) torque.
9. Turn the bolts an additional 90°-120° (Fig. 3) to obtain the required clamping.

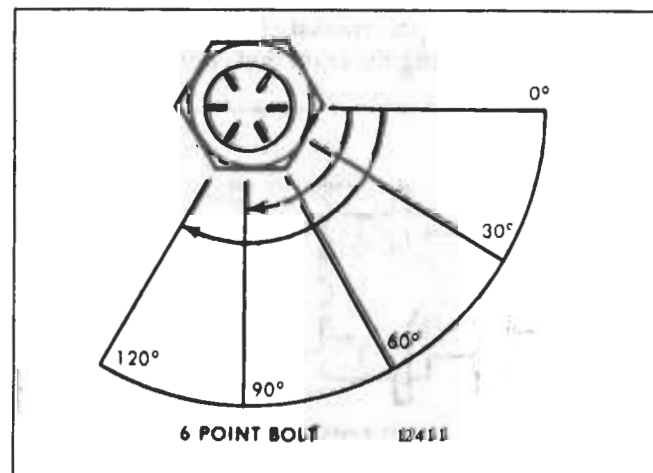


Fig. 3 - Torque-Turn Limits

NOTE: Since the *torque-turn method* provides more consistent clamping than the former method of flywheel installation, bolt torque values should be ignored.

IMPORTANT: When a clutch pilot bearing is installed, index the flywheel bolts so that the corners of the bolt heads do not overlap the pilot bearing bore in the flywheel. Thus, one of the flats of each bolt head will be in line with

the bearing bore. Always rotate bolts in the *increased* clamp direction to prevent underclamping.

10. Mount a dial indicator on the flywheel housing and check the runout of the flywheel at the clutch contact face. The maximum allowable runout is .001" total indicator reading per inch of radius. The radius is measured from the center of the flywheel to the outer edge of the clutch contact face of the flywheel.

CLUTCH PILOT BEARING

The clutch pilot bearing is pressed into the bore of the flywheel assembly and serves as a support for the inner end of the clutch drive shaft. Also, a split tube type retainer (Section 1.4) is driven in the end of the crankshaft to prevent the pilot bearing from entering the crankshaft cavity.

The clutch pilot bearing is held in place by a scuff plate, or bearing retainer, secured in place by the flywheel attaching bolts.

On some engines, a gasket is used between the bearing retainer and the flywheel to provide an oil tight seal.

Lubrication

A single-shielded ball type clutch pilot bearing should be packed with an all purpose grease such as Shell Alvania No. 2, or equivalent, if not previously packed by the manufacturer. A double-sealed ball type clutch pilot bearing is prepacked with grease and requires no further lubrication.

Remove Clutch Pilot Bearing (Transmission Removed)

With the flywheel attached to the engine, remove the ball type clutch pilot bearing as follows:

1. Remove the bolts attaching the flywheel to the crankshaft. Remove the bearing retainer and install two 9/16"-18 studs to prevent the flywheel from dropping off the end of the crankshaft.
2. With the clutch pilot bearing remover adaptor J 5901-2 attached to slide hammer J 5901-1, insert the fingers of the adaptor through the pilot bearing and tighten the thumb screw to expand the fingers against the inner race of the bearing.
3. Tap the slide hammer against the shoulder on the shaft and pull the bearing out of the flywheel.

4. Remove the oil seal, if used.

With the flywheel removed from the engine, the clutch pilot bearing may be removed as follows:

1. Place the flywheel on wood supports to provide clearance for the bearing.
2. Use bearing remover J 5901-2 as outlined above, or tool J 3154-04 with suitable adaptor plates, to tap the bearing from the flywheel.
3. Remove the oil seal, if used.

Inspection

Wipe the prepacked double-sealed bearing clean on the outside and inspect it. *Shielded bearings must not be washed*; dirt may be washed in and the cleaning fluid could not be entirely removed from the bearing. Clean the other types of bearing thoroughly with clean fuel oil and dry them with compressed air.

Check the bearing for free rolling by holding the inner race and revolving the outer race *slowly* by hand. Rough spots in the bearing are sufficient cause for rejecting it.

Install Clutch Pilot Bearing

1. Install the oil seal (if used) in the flywheel.
2. Lubricate the outside diameter of the bearing with clean engine oil.
3. Start the bearing in the bore of the flywheel, with the numbered side of the bearing **facing away** from the engine, and drive the bearing in place with bearing installer J 3154-04 and suitable adaptor plates.
4. Install the flywheel on the crankshaft (refer to Section 1.4).

1010
1010

ENGINE DRIVE SHAFT FLEXIBLE COUPLING

The engine drive shaft flexible coupling (Fig. 1), used on certain vehicle applications, is bolted to the engine flywheel and serves as a drive and also dampens out torque fluctuations between the engine and the Allison HT-700 and CLBT-700 transmissions.

Remove Flexible Coupling (Transmission Removed)

The flexible coupling assembly is held to the flywheel with the flywheel attaching bolts.

1. Remove two flywheel bolts. Install two suitable guide pins in these holes to support the flywheel.
2. Remove the remaining flywheel bolts and remove the scuff plate and flexible coupling assembly.

Inspect Coupling Assembly

Wash the coupling with clean fuel oil and dry it with compressed air. Check for broken, worn or overheated discs. The discs may be replaced by removing the twelve 1/2"-20 x 3/4" lock bolts holding the coupling assembly together. After replacing the discs, assemble the coupling and tighten the bolts to 96-115 lb-ft (130-156 Nm) torque.

Install Coupling Assembly

1. Align the bolt holes in the coupling with the tapped holes in the flywheel.
2. Apply a small quantity of International Compound No. 2, or equivalent, to the threads and contact area of the flywheel attaching bolts. Remove the guide pins and install the scuff plate and the 9/16"-18 x 1 3/4" lock bolts. Tighten the bolts as outlined in Section 1.4 under *Install Flywheel*.

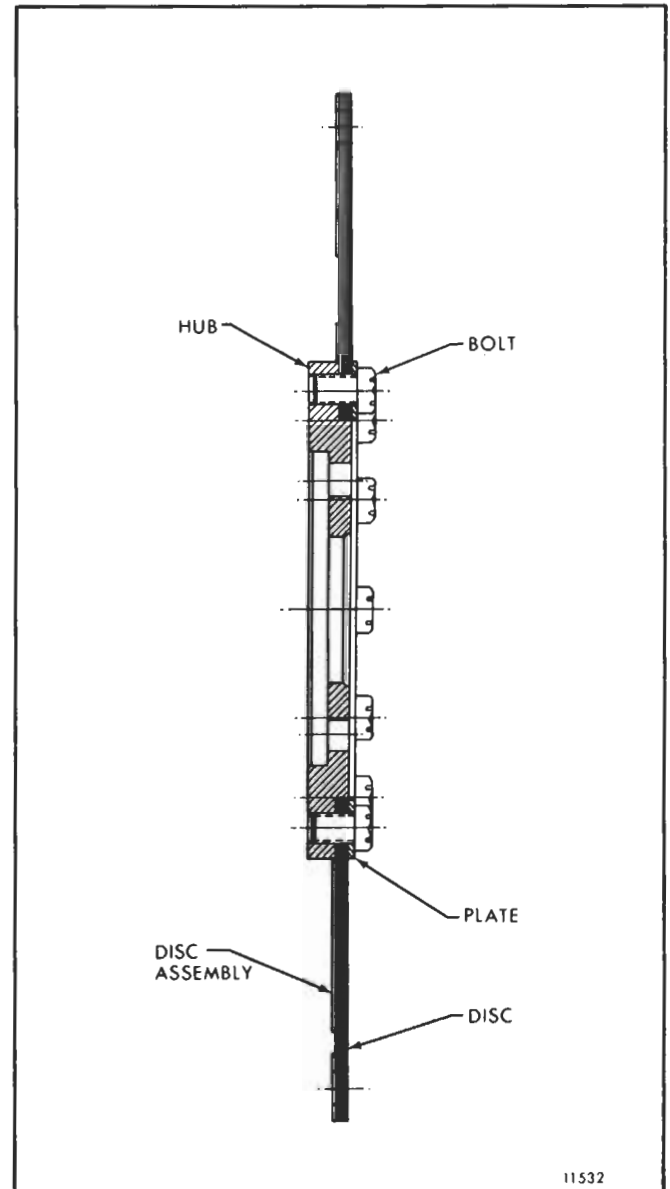


Fig. 1 - Engine Drive Shaft Flexible Coupling

EEK

100-

200-

FLYWHEEL HOUSING

The flywheel housing is a one-piece casting mounted against the rear end plate which is attached to the cylinder block. The flywheel housing provides a cover for the gear train and flywheel. It also serves as a support for the starting motor and transmission.

The crankshaft rear oil seal, which is pressed into the housing, may be removed or installed without removing the housing (Section 1.3.2).

Remove Flywheel Housing

1. Mount the engine on an overhaul stand as outlined in Section 1.1.
2. Remove the flywheel housing support brackets attached to the housing and the cylinder heads.
3. Remove the accessories attached to the flywheel housing.

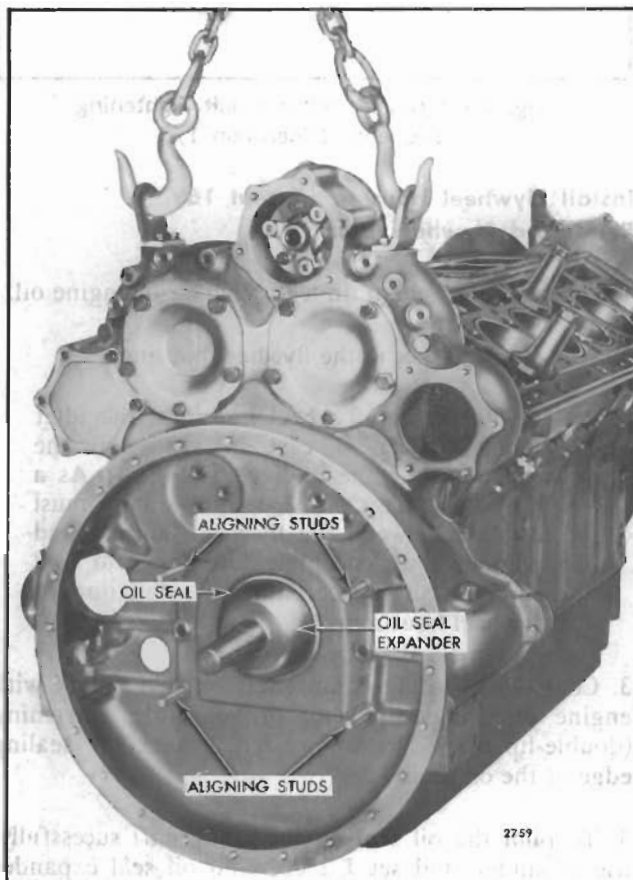


Fig. 1 - Installing Flywheel Housing, Using Oil Seal Expander Aligning Studs

4. Remove the starting motor (Section 7.3).
5. Remove the flywheel (Section 1.4).
6. Remove the oil pan (Section 4.7).
7. Remove the twelve attaching bolts located in the bell of the housing. Remove one attaching bolt located behind the small hole cover on the right-hand side of the flywheel housing. Then remove the remaining bolts around the upper portion of the housing and the two bolts which go through the rear end plate from the front and thread into the housing. Install aligning studs J 1927-01 (Fig. 1) to guide the housing until it clears the crankshaft during removal.

NOTE: When removing the flywheel housing bolts, note the location of the various size bolts, lock washers, flat washers and copper washers so they may be re-installed in their proper location.

8. With the flywheel housing supported by a chain hoist attached to the lifter brackets, strike the front face of the housing alternately on each side of the engine with a soft hammer to work it off the dowels and away from the cylinder block rear end plate.
9. Remove all traces of the old gasket from the cylinder block rear end plate and the flywheel housing.

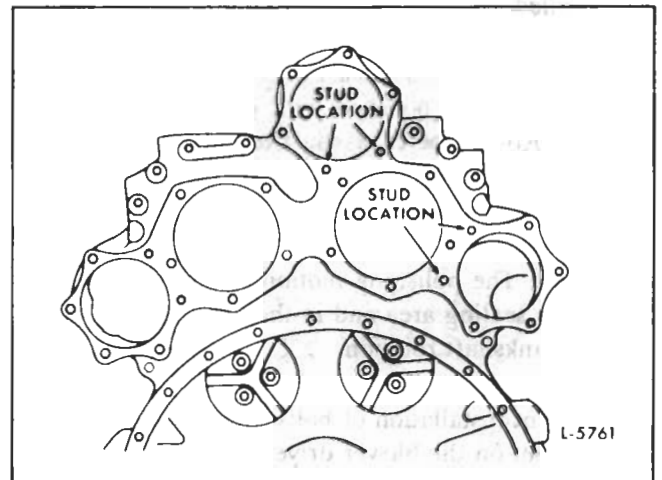


Fig. 2 - Flywheel Housing Cover Attaching Studs (Naturally Aspirated Engines)

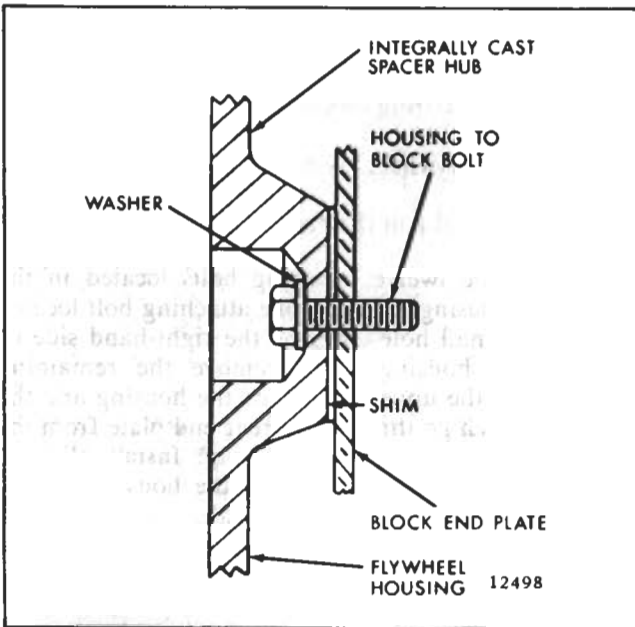


Fig. 3 - Idler Gear Hole Spacer Shim

Inspection

Clean the flywheel housing and inspect it for cracks or other damage. Replace the housing if it is damaged.

Replace the crankshaft rear oil seal as outlined in Section 1.3.2.

Inspect the rear end of the crankshaft for wear due to the rubbing action of the oil seal, dirt buildup, or fretting caused by the action of the flywheel. The crankshaft must be clean and smooth, otherwise the oil seal lip will be damaged when the flywheel housing is re-installed.

If necessary, the crankshaft may be smoothed up with emery cloth and polished with crocus cloth wet with fuel oil. Rotate the crankshaft *at intervals* to clean up the circumference of the shaft without disturbing the concentricity.

NOTE: The polishing motion should be parallel to the sealing area and in the opposite direction of crankshaft rotation.

To prevent installation of bolts which are too long and bottom out on the blower drive step-up gear (naturally aspirated engines), studs are used at the locations shown in Fig. 2. Studs are installed in the flywheel housing with the teflon coated end threaded into the housing.

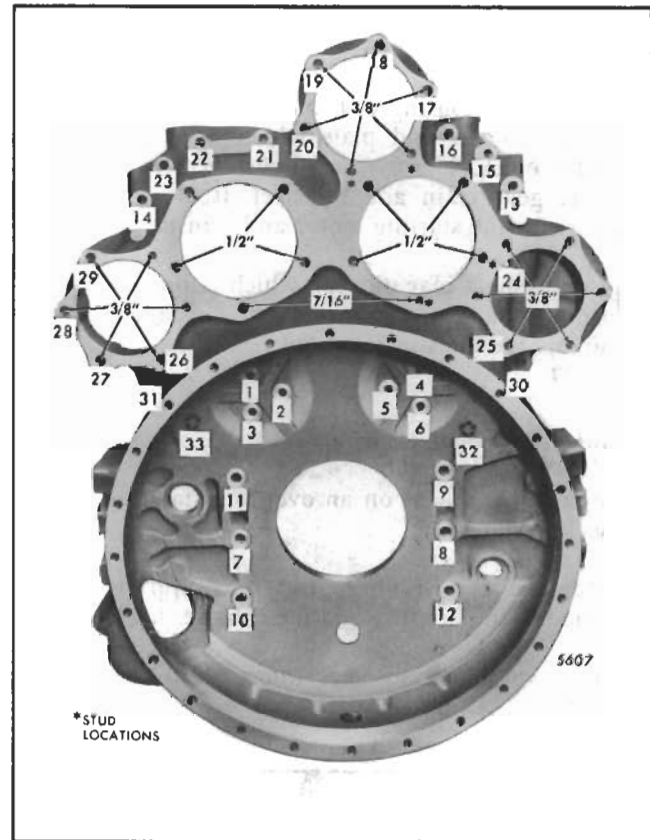


Fig. 4 - Flywheel Housing Bolt Tightening Sequence (Operation 1)

Install Flywheel Housing (Except 16V Reinforced Flywheel Housing)

1. Lubricate the gear train teeth with clean engine oil.
2. Affix a new gasket to the flywheel housing.

NOTE: On certain flywheel housings, the idler gear hole spacer is cast integrally in the housing, opposite the idler gear (Fig. 3). As a result of this integral cast design, a shim must be installed between the flywheel housing and the cylinder block end plate. Use grease to hold the shim on the spacer during installation of the flywheel housing.

3. Coat the lip of the crankshaft oil seal lightly with engine oil (single-lip seal) or vegetable shortening (double-lip seal). Do not scratch or nick the sealing edge of the oil seal.

4. To pilot the oil seal on the crankshaft successfully, use expander stud set J 25002 and oil seal expander J 4239 (standard size seal) or expander J 8682 and handle J 8092 (oversize seal). Thread two aligning studs J 1927-01 into the cylinder block to guide the housing in place (Fig. 1).

NOTE: Use oil seal expander J 4239 (standard size seal) or J 8682 (oversize seal) to pilot the oil seal on the crankshaft when installing the non-reinforced flywheel housing on a 16V engine.

5. With the housing suitably supported, position the housing over the crankshaft and up against the cylinder block rear end plate and gasket. Remove the oil seal expander.

NOTE: Before installing the flywheel housing, be sure the 5/8"-11 x 1" rear end plate to cylinder block bolt is installed and tightened as noted in Section 1.1.1, Step 6.

6. Install all of the flywheel housing bolts, washers and lock washers, while removing the pilot studs, finger tight only (refer to Fig. 4).

NOTE: Install three flywheel housing bolts with a nylon patch and flat washers at the right bank camshaft gear area (positions 13, 14 and 15 in Fig. 5).

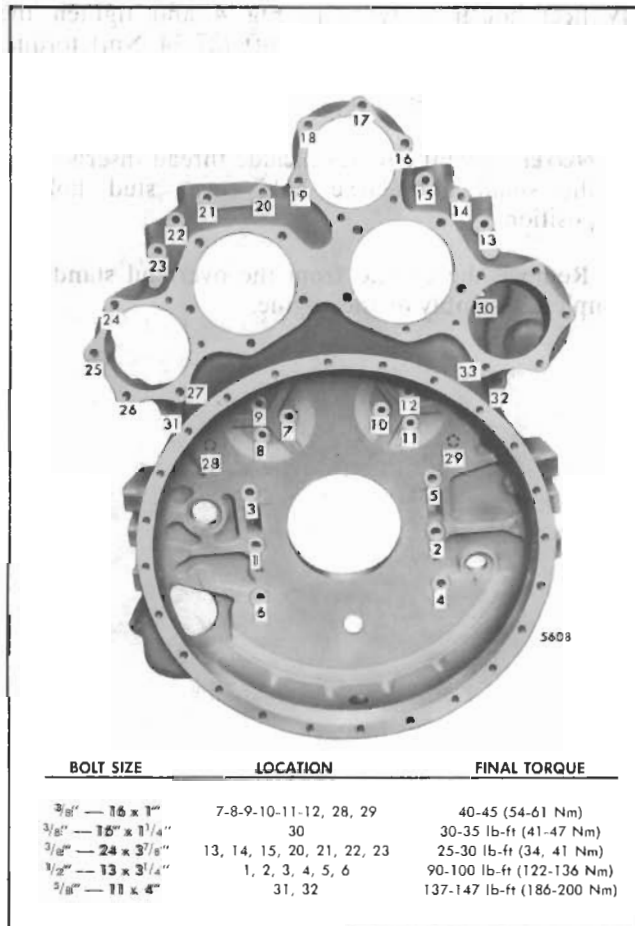


Fig. 5 - Flywheel Housing Bolt Tightening Sequence (Operation 2)

7. Refer to Fig. 4 for the bolt tightening sequence and, starting at number 4 on a right-hand rotation engine or at number 1 on a left-hand rotation engine, draw the flywheel housing bolts up snug.

IMPORTANT: If the idler gear hole spacer is integrally cast into the housing, be sure the shim is in place.

NOTE: When tightening the flywheel housing bolts, the idler gear hub bolts should always be tightened first. Also turn the crankshaft by hand while tightening the idler gear hub bolts to prevent any bind or brinelling of the rollers and cups of the tapered roller bearing.

8. Refer to Fig. 5 for the final bolt tightening sequence and, starting at number 1, tighten the flywheel housing bolts to the specified torque. Tighten the 3/8"-24 bolts to 25-30 lb-ft (34-41 Nm) torque, the 3/8"-16 self-locking idler gear hub and idler gear hole spacer bolts to 40-45 lb-ft (54-61 Nm) torque, the remaining 3/8"-16 bolts (number 30 with nylon patch) to 30-35 lb-ft (41-47 Nm) torque and the 1/2"-13 bolts to 90-100 lb-ft (122-136 Nm) torque. Tighten the two 5/8-11" outboard flywheel housing bolts on the left and right side to 137-147 lb-ft (186-200 Nm) torque. Be sure to rotate the crankshaft when tightening the idler gear hub bolts.

9. Check the flywheel housing concentricity and bolting flange face with tool set J 9737-01 as follows:

- Refer to Fig. 6 and thread the base post J 9737-3 tightly into one of the tapped holes in the flywheel. Then assemble the dial indicators on the base post with the attaching parts provided in the tool set.
- Position the dial indicators straight and square with the flywheel housing and make sure each indicator has adequate travel in each direction.

NOTE: If the flywheel extends beyond the flywheel housing bell, the housing bore and face must be checked separately. Use the special adaptor in the tool set to check the housing bore.

- Pry and hold the crankshaft in one direction to ensure end play is in one direction only.
- Adjust each dial indicator to read zero at the twelve o'clock position. Then rotate the crankshaft one full revolution, taking readings at 45 intervals (8 readings each of the flywheel housing bore and bolting flange face). Stop and remove the wrench or cranking bar before recording each reading to ensure accuracy. The maximum total

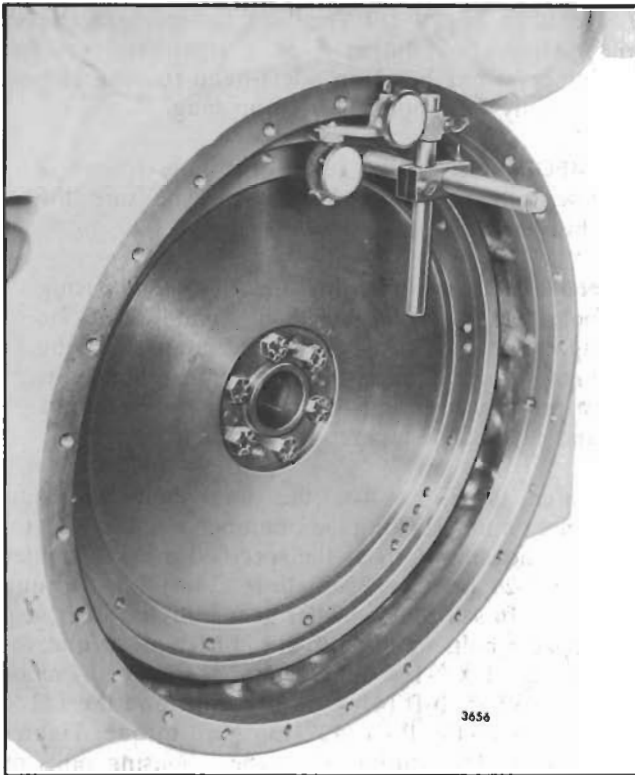


Fig. 6 - Checking Flywheel Housing
Concentricity

indicator reading must not exceed .013" for either the bore or the face.

- e. If the runout exceeds the maximum limits, remove the flywheel and the flywheel housing and check

for dirt or foreign material, such as old gasket material, between the end plate, flywheel housing and new gasket (and between the end plate and the cylinder block), which may result in warpage.

- f. Re-install the flywheel housing and secure the attaching bolts in the proper sequence and to the specified torque. Then recheck the runout. If necessary, replace the flywheel housing.

NOTE: To eliminate the possibility of oil leakage on marine engines, be sure the plugs in the top two holes of the wet flywheel housing mounting pads are properly sealed and tightened (5 lb-ft or 6.8 Nm torque).

10. Install the flywheel (Section 1.4).
11. Install the oil pan.
12. Install the starting motor (Section 7.3).
13. Install any accessories previously removed.
14. Install the small and large hole covers on the flywheel housing. Refer to Fig. 4 and tighten the 3/8"-24 stud nuts to 20-25 lb-ft (27-34 Nm) torque. The 3/8"-24 bolts, 7/16"-14 bolts and 1/2"-13 bolts should be tightened to 30-35 lb-ft (41-47 Nm) torque.

NOTE: Current engines include thread inserts at the small and large hole cover stud hole positions.

15. Remove the engine from the overhaul stand and complete assembly of the engine.

REINFORCED FLYWHEEL HOUSING (16V)

A reinforced flywheel housing with support studs is used on certain 16V engines.

Remove Flywheel Housing

Remove the flywheel housing as previously mentioned on page 1.

Inspection

Inspect the flywheel housing for cracks or other damage.

Install Flywheel Housing

Install the flywheel housing as follows:

1. Thread jam nuts "A" and "C" on the studs as shown in Fig. 7. Thread the longer stud into the left bank side of the cylinder block and the shorter stud into the right bank through the hole in the rear end plate. Tighten the studs.
2. Turn nuts "C" on the studs until they contact the cylinder block. Tighten nuts "C".
3. Replace the crankshaft rear oil seal (Section 1.3.2).
4. Affix a new gasket to the flywheel housing.

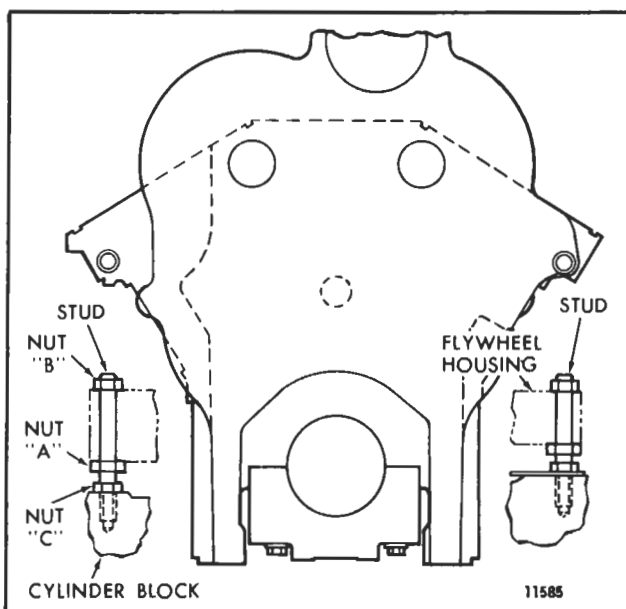


Fig. 7 - Location of Reinforced Flywheel Housing Support Studs

5. Lubricate the gear train teeth with clean engine oil.
6. Coat the lip of the oil seal lightly with grease or vegetable shortening. Do not scratch or nick the sealing edge of the oil seal.
7. Thread two aligning studs J 1927-01 into the cylinder block to guide the housing in place (Fig. 1). Use oil seal expander J 4239 (standard size seal) or J 8682 (oversize seal) and handle J 8092 to pilot the oil seal over the crankshaft.
8. With the housing suitably supported, position the housing over the crankshaft and up against the cylinder block rear end plate and gasket. Remove the oil seal expander.
9. Install six 3/8"-16 x 1" self-locking bolts with flat washers in the tapped holes of the idler gear hub and idler gear hole spacer, finger tight only.
10. Remove the aligning studs and install six 1/2"-13 x 3-1/4" housing-to-cylinder block bolts with lock washers, finger tight.
11. Install the remaining flywheel housing attaching bolts with lock washers, finger tight.
12. Refer to Fig. 8 (Operation "1") for the bolt and nut tightening sequence and, starting at number 4 on a right-hand rotation engine or at number 1 on a left-hand rotation engine, draw the flywheel housing bolts and nuts up snug.

NOTE: When tightening the idler gear hub bolts, turn the engine crankshaft to prevent any bind occurring in the idler gear bearing assembly.

13. Refer to Fig. 8 (Operation "2") for the final bolt and nut tightening sequence and, starting at number 1, tighten the flywheel housing bolts and nuts to the specified torque. Tighten the 3/8"-24 bolts and nuts to 25-30 lb-ft (34-41 Nm) torque, the 3/8"-16 self-locking idler gear hub and idler gear spacer hub bolts to 40-45 lb-ft (54-61 Nm) torque, the remaining 3/8"-16 bolts to 30-35 lb-ft (41-47 Nm) torque and the 1/2"-13 bolts to 90-100 lb-ft (122-136 Nm) torque. Tighten the two 5/8"-11" outboard flywheel housing bolts on the left and right side to 137 to 147 lb-ft (186-200 Nm) torque. Be sure to rotate the crankshaft when tightening the idler gear hub bolts.

14. Install the flywheel (Section 1.4).

15. Check the flywheel housing concentricity and bolting flange face with tool J 9737-01 as follows:

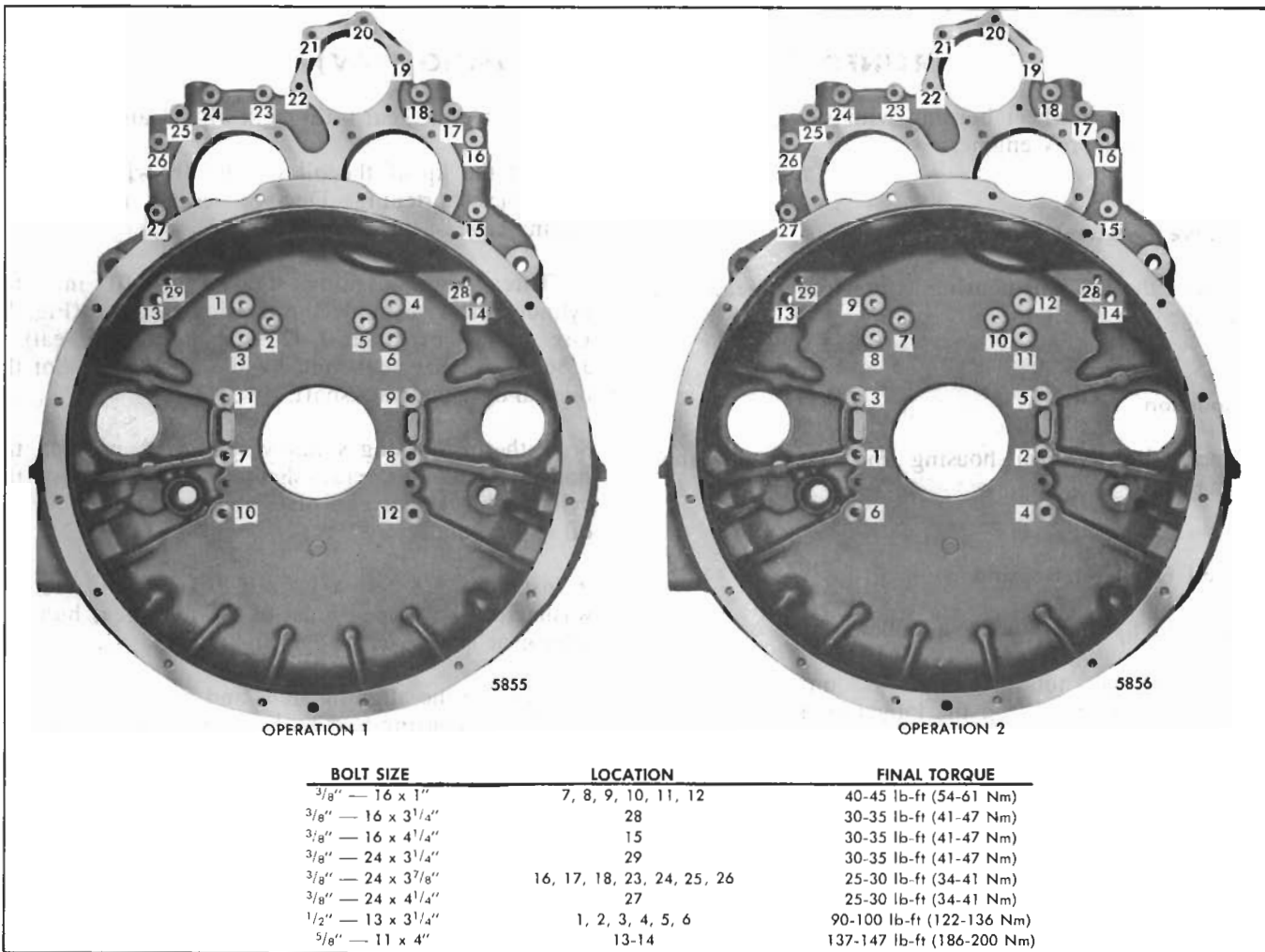


Fig. 8 - Flywheel Housing Bolt and Nut Tightening Sequence

a. Refer to Fig. 6 and thread the base post J 9737-3 tightly into one of the tapped holes in the flywheel. Then assemble the dial indicators on the base post with the attaching parts provided in the tool set.

b. Position the dial indicators straight and square with the flywheel housing and make sure each indicator has adequate travel in each direction.

NOTE: If the flywheel extends beyond the flywheel housing bell, the housing bore and face must be checked separately. Use the special adaptor in tool set J 9737-01 to check the housing bore.

c. Pry and hold the crankshaft in one direction to ensure end play is in one direction only.

d. Adjust each dial indicator to read zero at the twelve o'clock position. Then rotate the crankshaft one full revolution, taking readings at 45° intervals (8 readings each of the flywheel housing bore and the bolting flange face). Stop and

remove the wrench or cranking bar before recording each reading to ensure accuracy. The maximum total indicator reading must not exceed .013" for either the bore or face.

e. If the runout exceeds the maximum limits, remove the flywheel and the flywheel housing and check for dirt or foreign material, such as old gasket material, between the end plate, flywheel housing and new gasket (and between the end plate and the cylinder block), which may result in warpage. Reinstall the flywheel housing and secure the attaching bolts in the proper sequence and to the specified torque. Then recheck the runout. If necessary, replace the flywheel housing.

16. If removed, place the upper oil pan in position against the cylinder block and flywheel housing and install all of the 3/8"-16 oil pan attaching bolts and lock washers finger tight only. Then install the two 3/4"-10 oil pan to flywheel housing bolts and lock washers to draw the oil pan tight against the flywheel housing. Next, tighten the 3/8"-16 oil pan bolts to draw the oil pan tight against the cylinder block. Now

tighten the 3/4"-10 bolts to 240-250 lb-ft (325-339 Nm) torque and the 3/8"-16 oil pan bolts to 10-20 lb-ft (14-27 Nm) torque. When tightening the oil pan bolts, tighten the center bolts first.

17. Thread nut "A" against the flywheel housing and tighten stud nuts "B" to 160-170 lb-ft (217-231 Nm) torque while holding nut "A" from rotating (Fig. 6).

Then recheck the flywheel housing concentricity and runout. If the dial indicator readings are not within the limits specified, loosen stud nut "B" slightly and tighten jam nut "A" on either side of the flywheel housing to bring the dial indicator reading within the specified limits.

18. Remove the engine from the overhaul stand and complete assembly of the engine.



PISTON AND PISTON RINGS

The cross-head piston (Figs. 1 and 2) is a two-piece piston consisting of a crown and skirt. A metal oil seal ring is used between the crown and skirt which are held together by the piston pin. Ring grooves are machined in the piston crown for a fire ring and two compression rings. The crown is also machined to accept a 150° slipper type bushing (bearing). The piston skirt incorporates two oil control ring grooves, piston pin holes and piston pin retainer counterbores. Equally spaced drain holes are located in the oil ring groove area to permit excess oil, scraped from the cylinder walls, to return to the crankcase.

Two bolts and spacers are used to attach the connecting rod (Section 1.6.1) to the piston pin. The piston pin used in the non-turbocharged (naturally aspirated) engines and former turbocharged engines has a lubricating oil tube which retains a floating nut inside of the piston pin. The solid core piston pin, used in the current turbocharged engines, has a radial drilled oil hole through the center. A threaded hole on each side of the oil hole receives the connecting rod attaching bolts.

Internal parts of the piston are lubricated and cooled by the engine lubricating oil. Oil is pressure-fed up the drilled passage in the connecting rod, through the oil tube or drilled hole in the piston pin, then through the center hole in the bushing to the underside of the piston crown. A portion of the oil flows along the grooves in the bushing to lubricate the piston pin.

During engine operation, gas loads pushing down on the piston crown are taken directly by the piston pin

and bushing. The piston skirt, being separate, is free from vertical load distortion; thermal distortion is also reduced as the piston crown expands. As the connecting rod swings to one side during downward travel of the piston, the major portion of the side load is taken by the piston skirt.

The non-turbocharged (naturally aspirated) engines use 19:1 compression ratio pistons and the turbocharged engines use 17:1 compression ratio pistons. To aid identification of a piston, refer to Fig. 3. Fit the proper side of the gage in the bowl of the piston crown. When the gage rests on the rim of the crown, it is a "GO" check for a piston used in a turbocharged engine. When there is a space of approximately .040", it identifies a piston used in a naturally aspirated engine.

Inspect Piston Rings

When an engine is hard to start, runs rough or lacks power, worn or sticking compression rings may be the cause. Replacing the rings will aid in restoring engine operation to normal.

The compression rings may be inspected through the ports in the cylinder liners after the air box covers have been removed. If the rings are free and are not worn to the extent that the plating or grooves are gone, compression should be within operating specifications. Refer to Section 15.2 for the procedure for checking compression pressure.

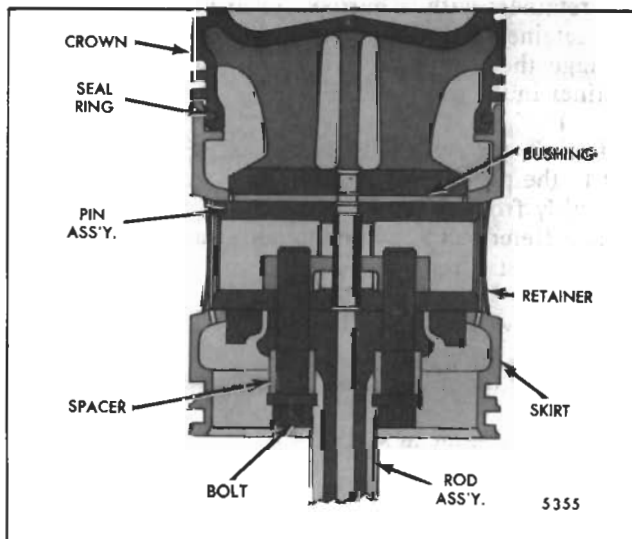


Fig. 1 - Cross-Head Piston and Connecting Rod Assembly

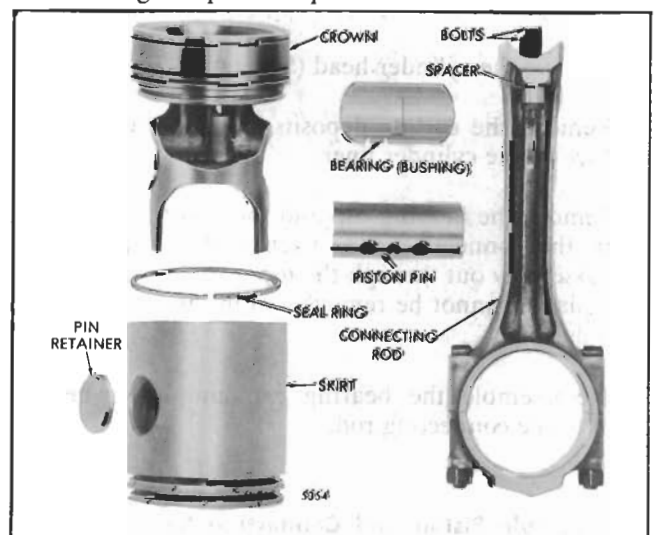


Fig. 2 - Cross-Head Piston and Connecting Rod Components

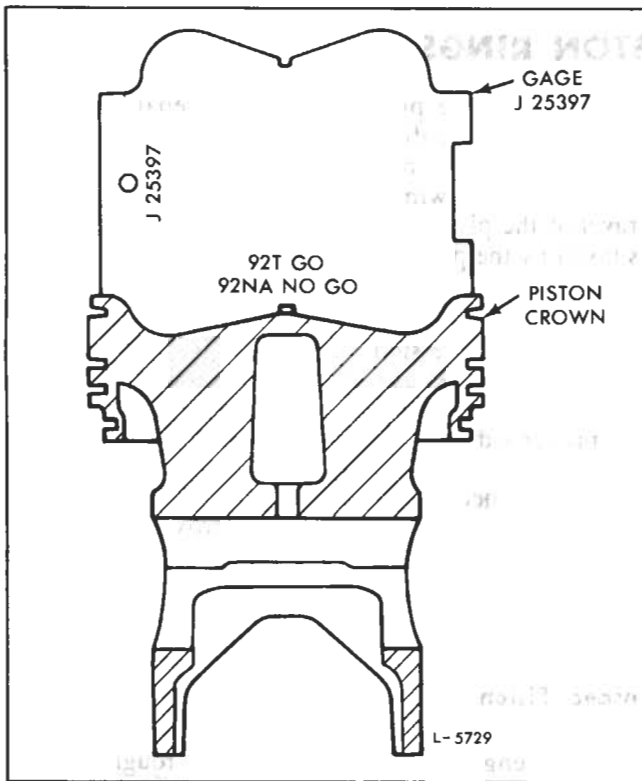


Fig. 3 - Identification of Piston Using Gage J 25397

Remove Piston and Connecting Rod

1. Drain the cooling system.
2. Drain the oil and remove the oil pan.
3. Remove the oil pump and inlet and outlet pipes, if necessary (Section 4.1).
4. Remove the cylinder head (Section 1.2).
5. Remove the carbon deposits from the upper inner surface of the cylinder liner.
6. Remove the bearing cap and the lower bearing shell from the connecting rod. Then push the piston and rod assembly out through the top of the cylinder block. The piston cannot be removed from the bottom of the cylinder block.
7. Re-assemble the bearing cap and lower bearing shell to the connecting rod.

Disassemble Piston and Connecting Rod

Note the condition of the piston and rings. Then remove the rings and disassemble the piston as follows:



Fig. 4 - Removing or Installing Piston Rings

1. Secure the connecting rod in a vise equipped with soft jaws and remove the piston rings with tool J 8128 as shown in Fig. 4.
2. Punch a hole through the center of one of the piston pin retainers with a narrow chisel or punch and pry the retainer from the piston, being careful not to damage the piston or bushing. Remove the opposite retainer in the same manner.
3. Loosen the two bolts which secure the connecting rod to the piston pin. Then remove the rod and piston assembly from the vise and place the assembly on the bench. Remove the two bolts and spacers and remove the connecting rod.
4. Withdraw the piston pin.
5. Separate the piston skirt from the piston crown.
6. Remove the metal seal ring from the piston crown.
7. Remove the piston pin bushing (bearing).

Cleaning

Clean the piston components with fuel oil and dry them with compressed air. If the fuel oil does not



Fig. 5 - Checking Fire Ring Groove in Piston Crown

remove the carbon deposits, use a chemical solvent that will not harm the tin-plate on the piston.

The piston crown, including the compression ring grooves, is not tin-plated and may be wire-brushed to remove any hard carbon. *Do not wire-brush the piston skirt.* Clean the ring grooves with a suitable tool or a piece of an old compression ring that has been ground to a bevel edge.

Clean the inside surfaces of the piston crown and skirt and the oil drain holes in the lower half of the piston skirt. Exercise care to avoid enlarging the holes while cleaning them.

Inspection

If the tin-plate on the piston skirt and the original grooves in the piston rings are intact, it is an indication of very little wear.

Excessively worn or scored piston skirts, rings or cylinder liners may be an indication of abnormal maintenance or operating conditions which should be corrected to avoid recurrence of the failure. The use of the correct types and proper maintenance of the lubricating oil filters and air cleaners will reduce to a minimum the amount of abrasive dust and foreign material introduced into the cylinders and will reduce the rate of wear.



Fig. 6 - Installing Seal Ring

Long periods of operation at idle speed and the use of improper lubricating oil or fuel must be avoided, otherwise a heavy formation of carbon may result and cause the rings to stick.

Keep the lubricating oil and engine coolant at the proper levels to prevent overheating of the engine.

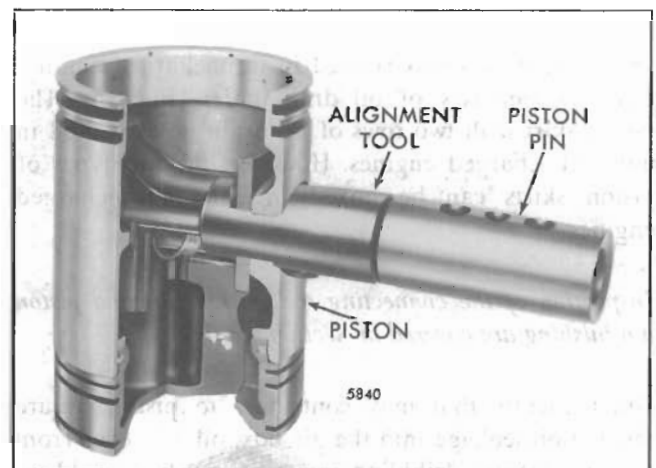


Fig. 7 - Installing Piston Pin

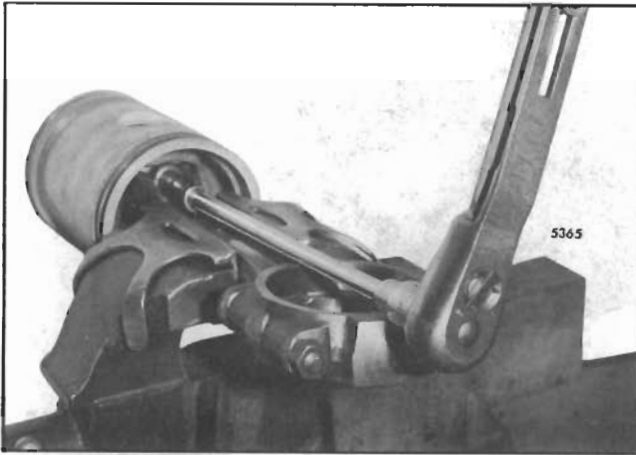


Fig. 8 - Tightening Connecting Rod to Piston Pin Bolts

Examine the piston skirt and crown for score marks, cracks, damaged ring groove lands or indications of overheating. Any piston that has been severely scored or overheated must be replaced. Indications of overheating or burned spots may be the result of an obstruction in the connecting rod oil passage.

Check the tapered fire ring groove width in the piston crown with tool J 24599 as shown in Fig. 5. Slide the "NO GO" wire (.106" diameter) of the tool completely around the fire ring groove. Should the wire be below flush at any one area, the piston crown must be replaced. The "GO" wire (.100" diameter) should be flush or protrude slightly from the fire ring groove.

Check the cylinder liner and block bore for excessive out-of-round, taper or high spots which could cause failure of the piston (refer to Section 1.0 for specifications).

The current piston skirt used in turbocharged engines has only one row of oil drain holes (Fig. 16). The piston skirt with two rows of oil drain holes is used in non-turbocharged engines. However, the two types of piston skirts can be mixed in early turbocharged engines.

Inspection of the connecting rod, piston pin and piston pin bushing are covered in Section 1.6.1.

Other factors that may contribute to piston failure include oil leakage into the air box, oil pull-over from the air cleaner, dribbling injectors, combustion blow-by and low oil pressure (dilution of the lubricating oil).



Fig. 9 - Installing Piston Pin Retainer

Assemble Piston

1. Install the bearing (bushing) in the piston crown. It should slide into the piston crown without force. With new parts, there is .0005" to .0105" clearance between the edge of the bushing and the groove in the piston crown.

NOTE: The bearing must be installed before assembling the piston skirt and crown.

2. Lubricate the metal seal ring (Fig. 6) with engine oil and install it with the chamfer directed toward the bottom of the piston.

3. Compress the seal ring with ring compressor J 24226 and push the skirt into position on the piston crown.

IMPORTANT: Before completely assembling the piston, check to make sure the seal ring does not stick in the ring groove. It is imperative for satisfactory engine operation that the seal ring is free in the piston crown groove. Check the full 360° circumference of the groove to be sure there are no tight spots. When the piston crown, seal ring and piston skirt are assembled, the skirt should spin freely on the crown (crown top down on the bench). If the seal ring sticks, remove high spots or nicks with a flat file. If

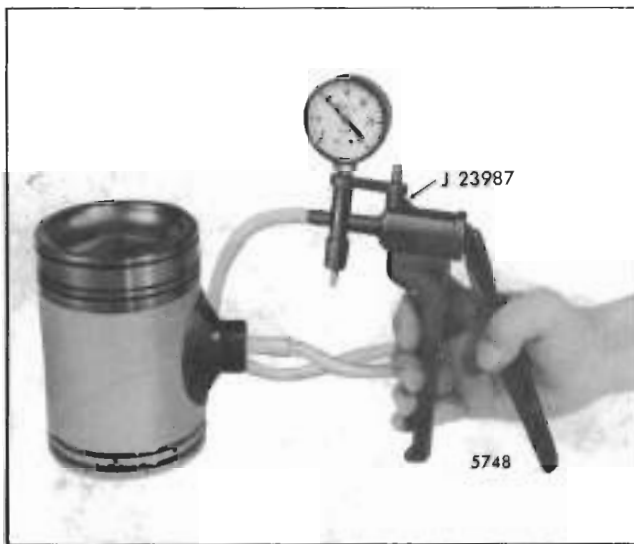


Fig. 10 - Checking Piston Pin Retainer for Proper Sealing

this does not relieve sticking, replace the piston crown.

4. Lubricate the piston pin with clean engine oil and install it as shown in Fig. 7.

NOTE: Line up the piston pin opening in the piston skirt with the bearing (bushing) opening in the piston crown with tool J 24285 to prevent damage to the pin or bushing.

5. Install the spacers on the two 7/16"-20 x 2" connecting rod to piston pin attaching bolts.

6. Apply a small amount of International Compound No. 2, or equivalent, to the bolt threads and bolt head contact surfaces.

7. Install and tighten the bolts finger tight. Then clamp the connecting rod in a vise and tighten the bolts to 55-60 lb-ft (75-81 Nm) torque (Fig. 8). Do not exceed this torque.

8. Place a new piston pin retainer in position. Place the crowned end of installer J 23762 against the retainer and strike the tool just hard enough to deflect the retainer and seat it evenly in the piston (Fig. 9).

9. Install the second piston pin retainer in the same manner.

NOTE: Due to the size of the counterbore in the piston skirt, be careful when installing the piston pin retainers and inspect them to be sure they are not buckled and that they are fully seated in the counterbore. The width of the land should be even around the retainer.

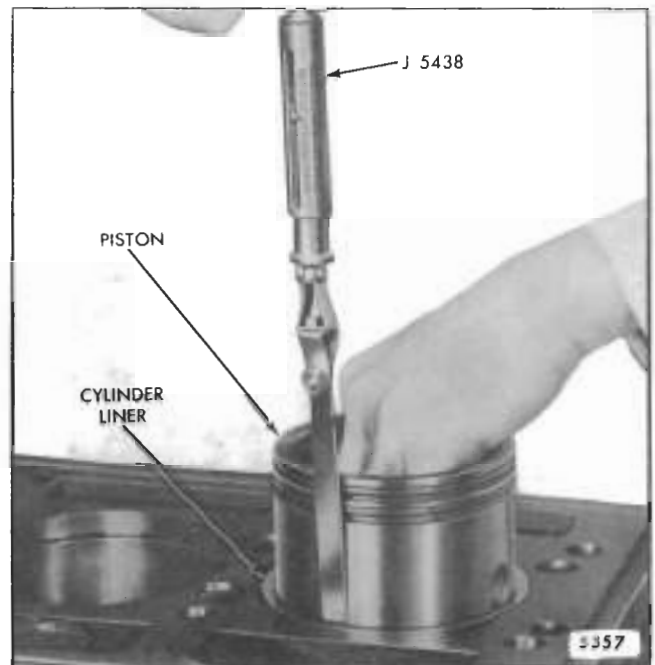


Fig. 11 - Measuring Piston-to-Liner Clearance

10. One important function of the piston pin retainer is to prevent the oil, which cools the underside of the piston and lubricates the piston pin bushing, from reaching the cylinder walls. Check each retainer for proper sealing with leak detector J 23987 (Fig. 10). Place the suction cup over the retainer and hand operate the lever to pull a vacuum of ten inches on the gage. A drop in the gage reading indicates air leakage at the retainer.

Fitting Piston

Measure the piston skirt diameter lengthwise and crosswise of the piston pin bore. Measurements should be taken at room temperature (70 °F or 21 °C). Refer to Section 1.0 for specifications.

The piston-to-liner clearance, with new parts, will vary with the particular piston diameter (refer to Section 1.0). A maximum clearance of .012" is allowable with used parts.

With the cylinder liner installed in the cylinder block, hold the piston skirt upside down in the liner and check the clearance in four places 90° apart (Fig. 11).

Use feeler gage set J 5438-01 to check the clearance. The spring scale, attached to the proper feeler gage, is used to measure the force in pounds required to withdraw the feeler gage.

Select a feeler gage with a thickness that will require a pull of six pounds (26.7 N) to remove. The clearance will be .001" greater than the thickness of the feeler

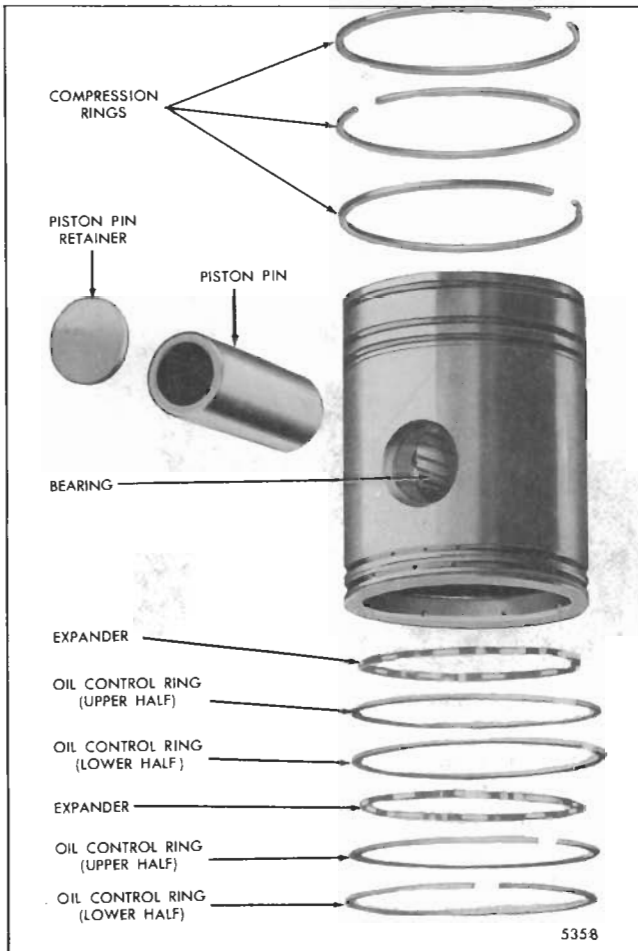


Fig. 12 - Typical Piston Assembly, Piston Rings, Pin and Relative Location of Parts

gauge used, i.e., a .004" feeler gage will indicate a clearance of .005" when it is withdrawn with a pull of

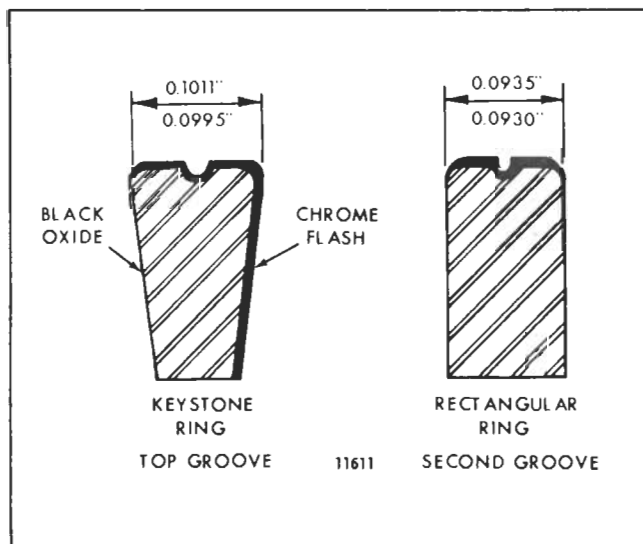


Fig. 13 - Comparison of Pre-Stressed Compression Rings



Fig. 14 - Measuring Piston Ring Gap

six pounds (26.7 N). The feeler gage must be perfectly flat and free of nicks and bends.

If any bind occurs between the piston and the liner, examine the piston and liner for burrs. Remove burrs with a fine hone (a flat one is preferable) and recheck the clearance.

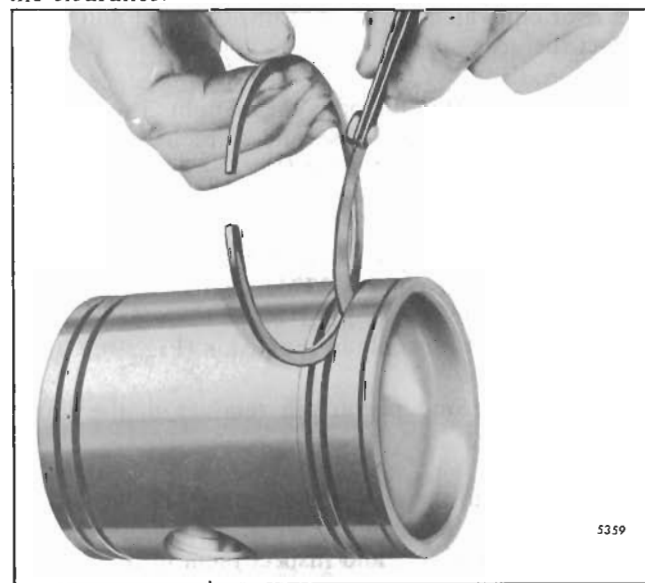


Fig. 15 - Measuring Piston Ring Side Clearance

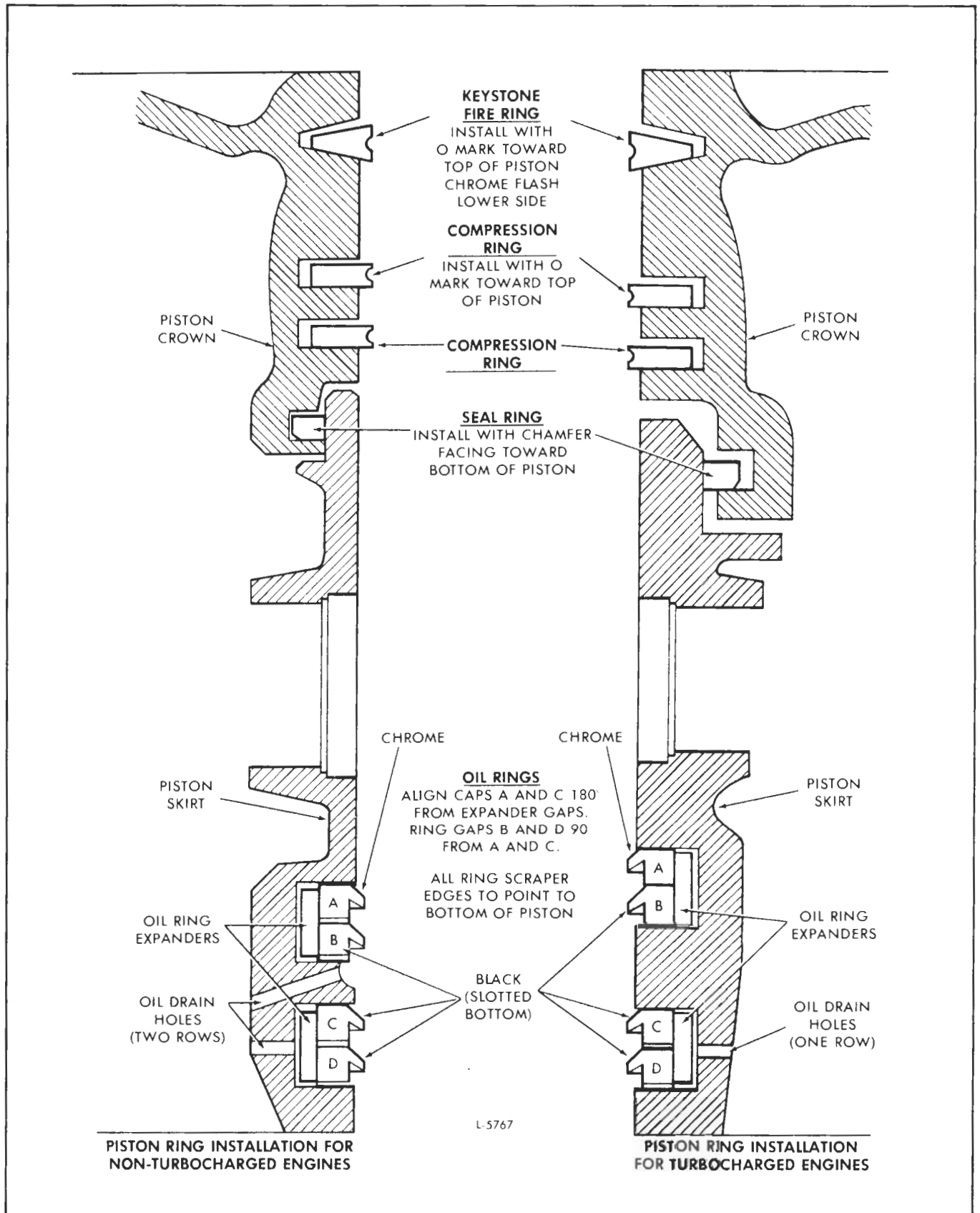


Fig. 16 - Piston Ring Installation Instructions

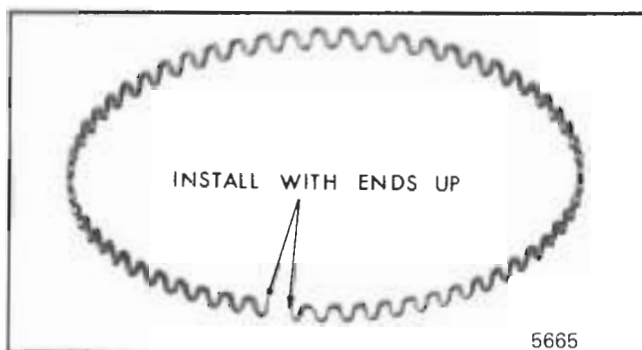


Fig. 17 - Peripheral Abutment Type Oil Control Ring Expander

Fitting Piston Rings

Each piston is fitted with a fire ring, two compression rings and two oil control rings (Fig. 12).

The top (fire) ring and the upper compression ring (second groove) are pre-stressed (Fig. 13). Both are identified by an oval mark on the top side. In addition, the fire ring is chrome-plated on the lower side.

A two-piece oil control ring is used in both oil ring grooves in the pistons for all current engines.

All new piston rings must be installed whenever a piston is removed, regardless of whether a new or used piston or cylinder liner is installed.

Insert one ring at a time inside of the cylinder liner and far enough down to be within the normal area of ring travel. Use a piston skirt to push the ring down to be sure it is parallel with the top of the liner. Then measure the ring gap with a feeler gage as shown in Fig. 14. Refer to Section 1.0 for ring gap specifications.

If the gap on a compression ring is insufficient, it may be increased by filing or stoning the ends of the ring. **File** or stone both ends of the ring so the cutting action is from the outer surface to the inner surface. This will prevent any chipping or peeling of the chrome plate on the ring. The ends of the ring must remain square and the chamfer on the outer edge must be approximately .015".

Check the ring side clearance as shown in Fig. 15. Ring side clearances are specified in Section 1.0.

Install Piston Rings

NOTE: Lubricate the piston rings and piston with engine oil before installing the rings.

COMPRESSION RINGS

1. Starting with the bottom ring, install the compression rings with tool J 8128 as shown in Fig. 4. To avoid breaking or overstressing the rings, do not spread them any more than necessary to slip them over the piston. Refer to Figs. 12 and 16 for ring identification and location.

2. Stagger the ring gaps around the piston.

OIL CONTROL RINGS

Refer to Fig. 16 for the type and location and install the oil control rings as follows:

1. Install the ring expanders in the oil control ring grooves in the piston skirt.

NOTE: When installing the oil control rings, use care to prevent overlapping the ends of the ring expanders. An overlapped expander will cause the oil ring to protrude beyond allowable limits and will result in breakage when the piston is inserted in the ring compressor during installation in the cylinder liner. Do not cut or grind the ends of the expanders to prevent overlapping. Cutting or grinding the ends will decrease the expanding force on the oil control rings and result in high lubricating oil consumption.

IMPORTANT: Install the peripheral abutment type ring expanders with the legs of the free ends toward the top of the piston (Fig. 17). With the free ends pointing up, noticeable resistance will be encountered during installation of the piston if the ends of the expander are overlapped and corrective action can be taken before ring breakage occurs.

2. Install the oil control rings by hand. Start with the upper half of the top oil ring and align the gaps as indicated in Fig. 16.

NOTE: The scraper edges of all oil control rings must face downward (toward the bottom of the piston) for proper oil control.

Install the piston and connecting rod assembly as outlined in Section 1.6.3.

CONNECTING ROD

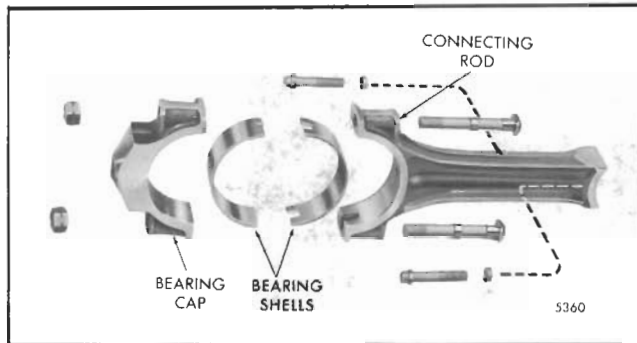


Fig. 1 - Connecting Rod Details

The connecting rod (Fig. 1) is forged to an "I" section with an open or saddle type contour at the upper end and a bearing cap at the lower end. The bearing cap and connecting rod are forged in one piece and bored prior to separation.

The upper end of the connecting rod is machined to match the contour of the piston pin. The piston pin is

secured to the connecting rod with two self-locking bolts and spacers. The lower bearing cap is secured to the connecting rod by two specially machined bolts and nuts.

Lubricating oil is forced through a "Y" drilled oil passage in the connecting rod to the piston pin and bushing.

A service connecting rod includes the bearing cap and the attaching bolts and nuts.

The replaceable connecting rod bearing shells are covered in Section 1.6.2.

Disassemble Connecting Rod from Piston

With the rod and piston assembly removed from the engine, disassemble the piston and connecting rod as outlined in Section 1.6.

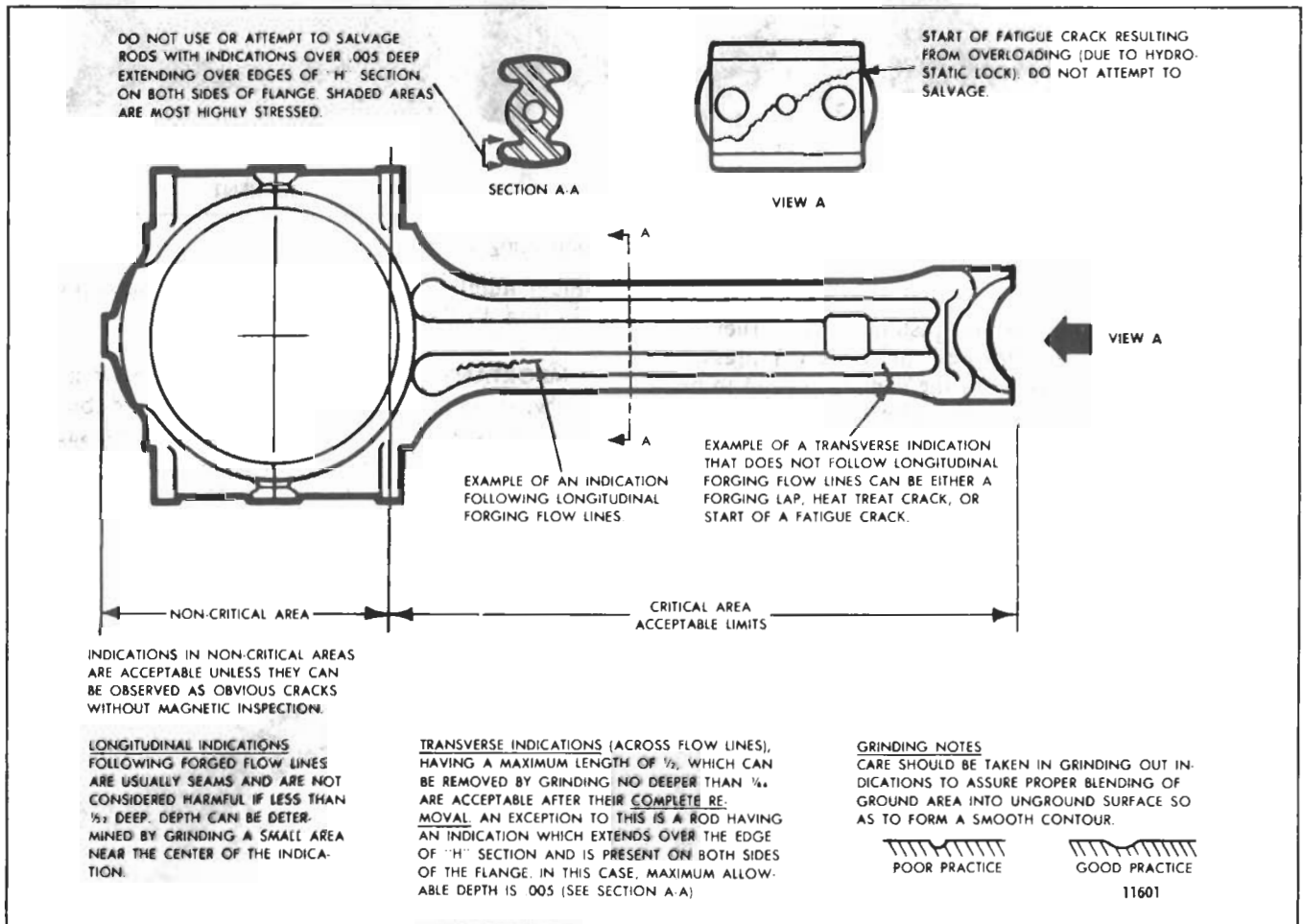


Fig. 2 - Magnetic Particle Inspection Limits for Connecting Rod

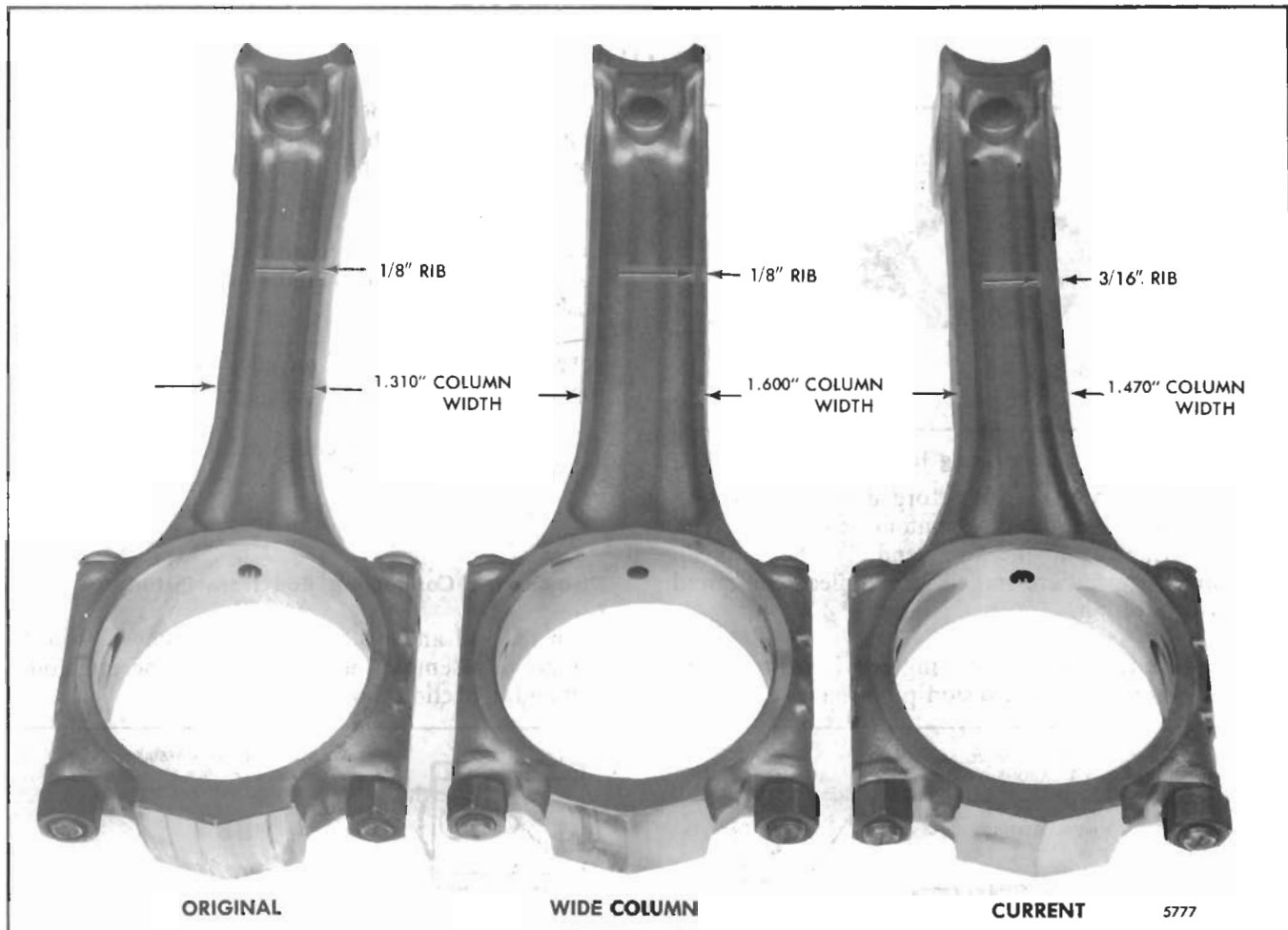


Fig. 3 - Comparison of Connecting Rods

Inspection

Clean the connecting rod and piston pin with fuel oil and dry them with compressed air. Blow compressed air through the oil passage in the connecting rod to be sure it is clear of obstructions. Use crocus cloth, wet with fuel oil, to remove any trace of fretting and/or corrosion on the connecting rod saddle and piston pin contact surface before re-assembly.

Visually check the connecting rod for twist or bending.

Check for cracks (Fig. 2) by the magnetic particle method outlined in Section 1.3 under *Crankshaft Inspection*.

Remove any nicks or burrs from the connecting rod bolt holes with reamer J 28460. The reamer includes a 60° angle to clean-up the chamfer at the bolt hole to ensure proper seating of the underside of the bolt head.

If a new service connecting rod is required, stamp the

cylinder number on the connecting rod and cap (refer to Section 1.6.3).

IMPORTANT: Clean the rust preventive from a service replacement connecting rod and blow compressed air through the drilled oil passage to be sure it is clear of obstructions. Also make sure the split line (cap to rod) is thoroughly cleaned to avoid trapped contaminants from adversely affecting bearing shell "crush".

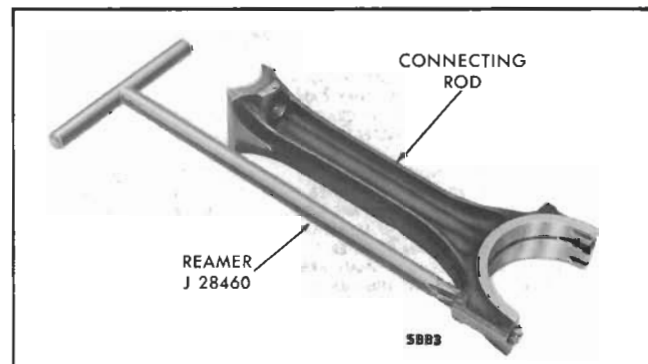


Fig. 4 - Connecting Rod Bolt Hole Reamer

Inspect the bearing (bushing) for indications of scoring, overheating or other damage. Measure the thickness of the bushing along the center. Replace the bushing if it is damaged or worn to a thickness of .086 " or less. A new bushing is .087 " to .088 " thick.

Inspect the piston pin for signs of fretting. When re-using a piston pin, the highly polished and lapped surface of the pin must not in any way be refinished. Polishing or refinishing the piston pin is not recommended as it could result in very rapid bushing wear. A new piston pin has a diameter of 1.4996 " to 1.5000 ". Replace the piston pin if it is worn to a diameter of 1.4980 " or less.

Effective with approximate engine serial numbers 6VF-634, 8VF-1243 and 16VF-1004, a solid core piston pin is used in the *turbocharged engines*. The piston pin

has a drilled oil hole at the center and a tapped hole on each side of the oil hole is provided to receive the connecting rod attaching bolts. The current connecting rod has a 1.470 " wide column and provides greater strength under severe operating conditions and can be identified by white paint on the bottom of the bearing cap. The former connecting rods (1.310 " and 1.600 " wide column) (Fig. 3) have been superseded and will not be serviced. The former and current rod assemblies can be mixed in an engine. However, for maximum benefit, a complete set of the current connecting rods should be installed.

Assemble Connecting Rod to Piston

Refer to Section 1.6 for assembly of the connecting rod to the piston.

CONNECTING ROD BEARINGS

The connecting rod bearing shells (Fig. 1) are precision made and are of the replaceable type without shim adjustments. They consist of an upper bearing shell seated in the connecting rod and a lower bearing shell seated in the connecting rod cap. The bearing shells are prevented from endwise or radial movement by a tang at the parting line at one end of each bearing shell.

The multiple layer copper-lead coplated bearings have an inner surface, called the matrix, of copper-lead. A thin deposit of lead-tin is then plated onto the matrix. The lead-tin overlay has excellent resistance to friction, corrosion and scoring tendencies which, combined with the material of the matrix, provides improved load carrying characteristics. These bearings are identified by the satin silver sheen of the overlay when new and a dull gray after being in service.

The upper and lower connecting rod bearing shells are different and are not interchangeable. Both shells are notched midway between the bearing edges for approximately 3/4 of an inch in from each parting line for bolt clearance and oil flow. In addition, the lower bearing shell has a circumferential oil groove that terminates at the notched ends. These notches maintain a continuous registry with the oil hole in the crankshaft connecting rod journal, thereby providing a constant supply of lubricating oil to the connecting rod bearings and piston pin bushing through the oil passage in the connecting rod.

Remove Bearing Shells

The connecting rod bearing caps are numbered 1L, 1R, 2L, 2R, etc., with matching numbers and letters stamped on the connecting rod. When removed, the bearing cap and the bearing shell should always be reinstalled on the original connecting rod.

Remove the connecting rod bearings as follows:

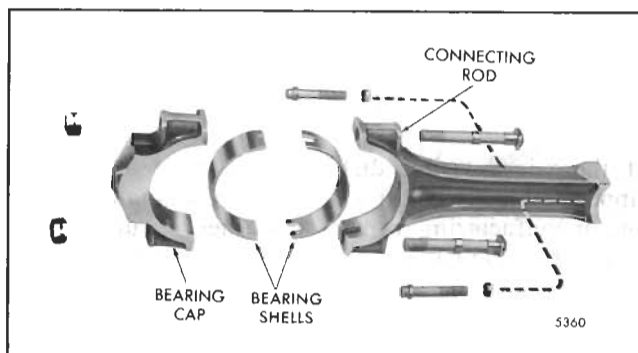


Fig. 1 - Connecting Rod and Bearing Shells

1. Drain the oil and remove the oil pan.
2. Disconnect and remove the lubricating oil pump inlet pipe and screen assembly. If the engine is equipped with an oil pump which is mounted on the main bearing caps, remove the oil pump as outlined in Section 4.1.
3. Remove one connecting rod bearing cap. Push the connecting rod and piston assembly up into the cylinder liner far enough to permit removal of the upper bearing shell. Do not pound on the edge of the bearing shell with a sharp tool.
4. Inspect the upper and lower bearing shells as outlined under *Inspection*.
5. Install the bearing shells and bearing cap before another connecting rod bearing cap is removed.

Inspection

Bearing failures may result from deterioration (acid formation) or contamination of the oil or loss of oil. An analysis of the lubricating oil may be required to determine if corrosive acid and sulphur are present which cause acid etching, flaking and pitting. Bearing seizure may be due to low oil or no lubricating oil.

After removal, clean the bearings and inspect them for scoring, pitting, flaking, chipping, cracking, loss of overlay or signs of overheating. If any of these defects are present, the bearings must be discarded. However, overlay plated bearings may develop minute cracks or small isolated cavities on the bearing surface during engine operation. These are characteristics of and are NOT detrimental to this type of bearing. The bearings should not be replaced for these minor surface imperfections (Fig. 2). The upper bearing shells, which carry the load, will normally show signs of distress before the lower bearing shells do.

Inspect the backs of the bearing shells for bright spots which indicate they have been shifting in their supports. If such spots are present, discard the bearing shells. Also inspect the connecting rod bearing bore for burrs, foreign particles, etc.

Examine the backs of the bearing shells for areas of no contact. Determine the amount of wear and replace, if necessary, the bearings and/or the connecting rod.

Measure the thickness of the bearing shells, using a micrometer and ball attachment J 4757, as described

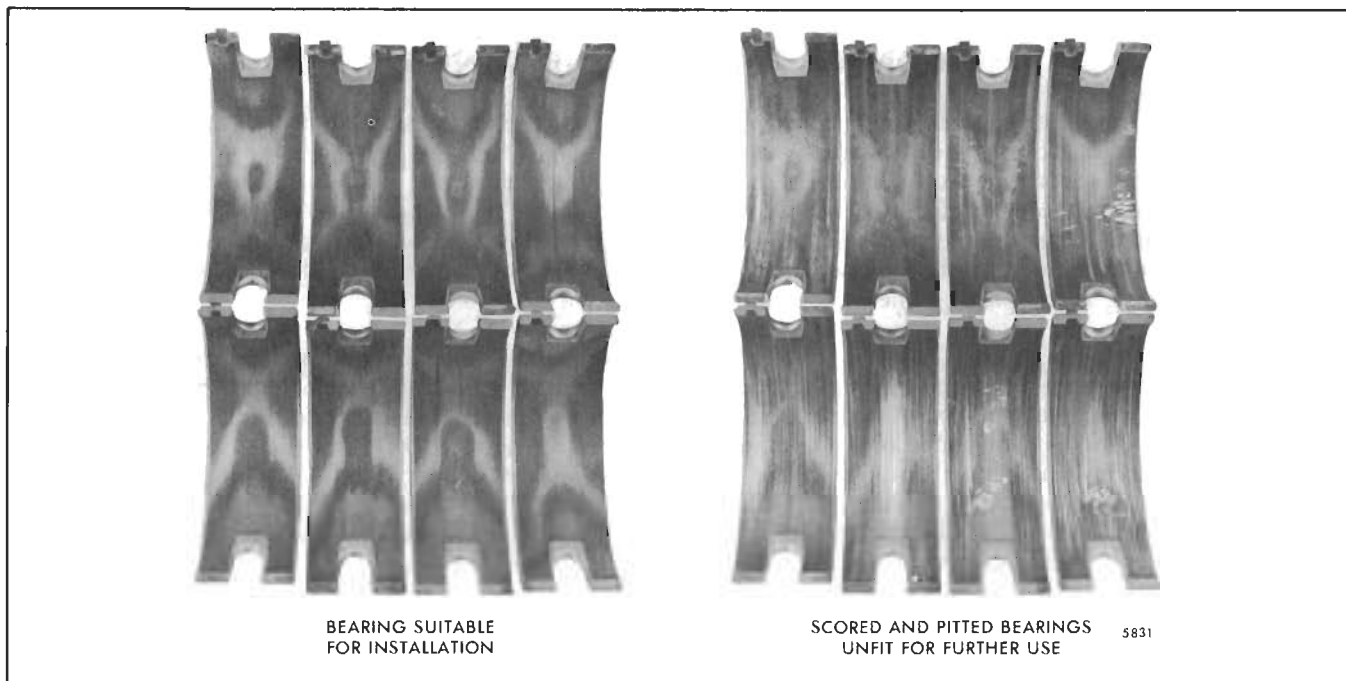


Fig. 2 - Comparison of Connecting Rod Bearing Shells

under *Inspection* in Section 1.3.4. The minimum thickness of a worn standard connecting rod bearing shell should not be less than .1230" and, if either bearing shell is thinner than this dimension, replace both bearing shells. A new standard bearing shell has a thickness of .1240" to .1245". Refer to Table 1.

In addition to the thickness measurement, check the clearance between the connecting rod bearing shells and the crankshaft journal. This clearance may be checked by means of a soft plastic measuring strip which is squeezed between the journal and the bearing (refer to *Shop Notes* in Section 1.0). The maximum connecting rod bearing-to-journal clearance with used parts is .0056".

Before installing the bearings, inspect the crankshaft journals (refer to *Inspection* in Section 1.3).

Do not replace one connecting rod bearing shell alone. If one bearing shell requires replacement, install both

Bearing Size	*New Bearing Thickness	Minimum Worn Thickness
Standard	.1240"/.1245"	.1230"
.002" Undersize	.1250"/.1255"	.1240"
.010" Undersize	.1290"/.1295"	.1280"
.020" Undersize	.1340"/.1345"	.1330"
.030" Undersize	.1390"/.1395"	.1380"

*Thickness 90° from parting line of bearing.

TABLE 1

new upper and lower bearing shells. Also, if a new or reground crankshaft is to be used, install all new bearing shells.

Bearing shells are available in .010", .020" and .030" undersize for service with reground crankshafts. To determine the size bearings required, refer to *Crankshaft Grinding* in Section 1.3. Bearings which are .002" undersize are available to compensate for slight journal wear where it is unnecessary to regrind the crankshaft.

CAUTION: Bearing shells are NOT reworkable from one undersize to another under any circumstances.

Install Connecting Rod Bearing Shells

1. Wipe the journal clean and lubricate it with clean engine oil.
2. Install the upper bearing shell -- the one *without* the continuous oil groove. Be sure the tang on the shell fits in the groove in the rod.

If there is a visible difference in the color of new upper and lower bearing shells, it is due to a change in the manufacturing process and they should not be rejected on the basis of the dissimilar appearance.

3. Pull the piston and rod assembly down until the upper rod bearing seats firmly on the crankshaft journal.

4. Note the number and letter stamped on the bearing cap and install the lower bearing shell -- the one with the continuous oil groove -- into the bearing cap. Install the cap and shell in place.

5. Lock the bearing caps securely in place with bolts and nuts. Tighten the connecting rod bolt nuts to 60-70 lb-ft (81-95 Nm) torque (lubrite nut).

NOTE: Be sure the connecting rod bolt has not turned in the connecting rod before torque is applied to the nut.

6. Install the lubricating oil pump inlet pipe and screen assembly. If the engine is equipped with an oil pump which is mounted on the main bearing caps, install the oil pump as outlined in Section 4.1.

7. Install the oil pan.

8. Refer to *Lubricating Oil Specifications* in Section 13.3 and refill the crankcase to the proper level on the dipstick.

9. If new bearings were installed, operate the engine on the run-in schedule as outlined in Section 13.2.1.

CYLINDER LINER

The cylinder liner (Fig. 1) is of the replaceable wet type (water above ports), made of hardened alloy cast iron, and is a slip fit in the cylinder block. The liner is inserted in the cylinder bore from the top of the cylinder block. The flange at the top of the liner fits into a counterbore in the cylinder block and rests on a replaceable cast iron insert which permits accurate alignment of the cylinder liner.

Two seal rings, recessed in the cylinder bore, are used between the liner and the block to prevent water leakage.

The upper half of the liner is directly cooled by water surrounding the liner. At the air inlet ports, the liner is cooled by the air introduced into the cylinder through equally spaced ports around the liner. The lower half of the liner is cooled by water inside the cylinder block water jacket surrounding the liner.

The air inlet ports in the liner are machined at an angle to create a uniform swirling motion to the air as it enters the cylinder. This motion persists throughout the compression stroke and facilitates scavenging and combustion.

The wear on a liner and piston is directly related to the amount of abrasive dust and dirt introduced into

the engine combustion chamber through the air intake. This dust, combined with lubricating oil on the cylinder wall, forms a lapping compound and will result in rapid wear. Therefore, to avoid pulling contaminated air into the cylinder, the air cleaners must be serviced regularly according to the surroundings in which the engine is operating.

Remove Cylinder Liner

It is very important that the proper method is followed when removing a cylinder liner. *Do not* attempt to push the liner out by inserting a bar in the liner ports and rotating the crankshaft, otherwise the piston may be damaged or the upper ring groove may collapse.

Refer to Fig. 2 and remove a cylinder liner as follows:

1. Remove the piston and connecting rod assembly as outlined in Section 1.6.
2. Remove the cylinder liner with tool set J 24563 as follows:
 - a. Ease the lower shoe and bolt assembly down into the liner. Place the shoe on the bottom edge of the liner with the flat on the shoe parallel with the crankshaft bore.
 - b. Hold the lower shoe and bolt assembly in the pulling position. Place the upper shoe with the flat in the same position as the lower shoe over the threaded end of the bolt. Thread the nut down on the bolt assembly and be sure that the pilots on both of the shoes are seated properly.

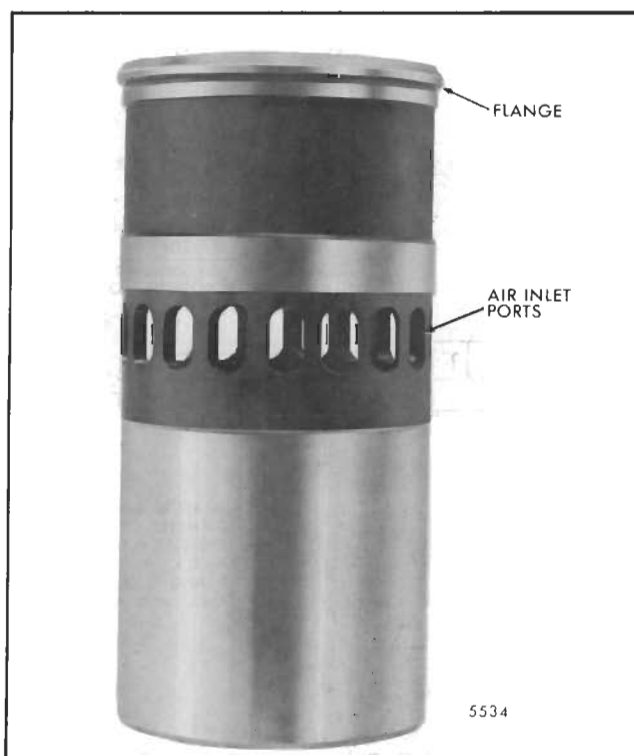


Fig. 1 - Typical Cylinder Liner

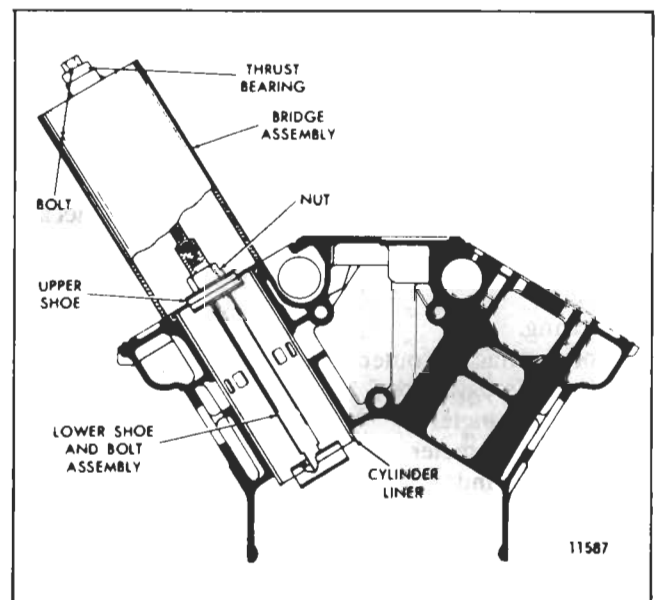


Fig. 2 - Removing Cylinder Liner

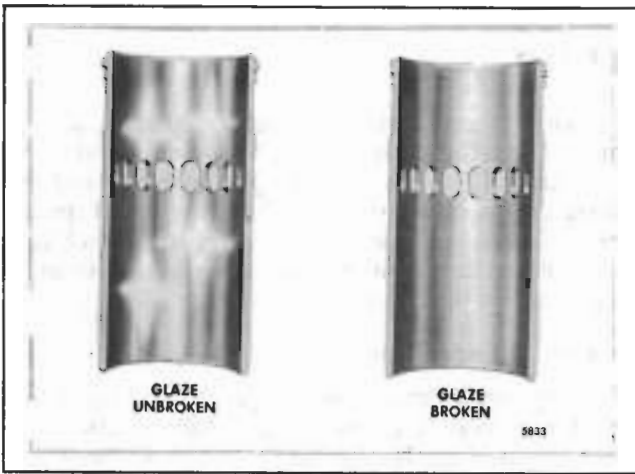


Fig. 3 - Glazed Surface of Cylinder Liner

- c. Place the bridge assembly (open end down) over the upper shoe and down against the block.
- d. With the thrust bearing on the bolt, install the bolt through the bridge assembly strap hole.
- e. Thread the bolt into the female threaded portion of the bolt assembly.
- f. Turn the bolt in a clockwise direction and withdraw the liner from the block. Then remove the tool from the liner.
- g. Remove and tag the liner insert from the counterbore in the block.
- h. Remove and discard both cylinder liner seal rings from the grooves in the cylinder block bore.

If tool set J 24563 is unavailable, tap the liner out with a hardwood block and hammer.

Inspect Cylinder Liner

When the cylinder liner is removed from the cylinder block, it must be thoroughly cleaned and then checked for:

- Cracks
- Scoring
- Poor contact on outer surface
- Flange irregularities
- Inside diameter
- Outside diameter
- Out-of-round
- Taper

A cracked or excessively scored liner must be discarded. A slightly scored liner may be cleaned-up and reused.

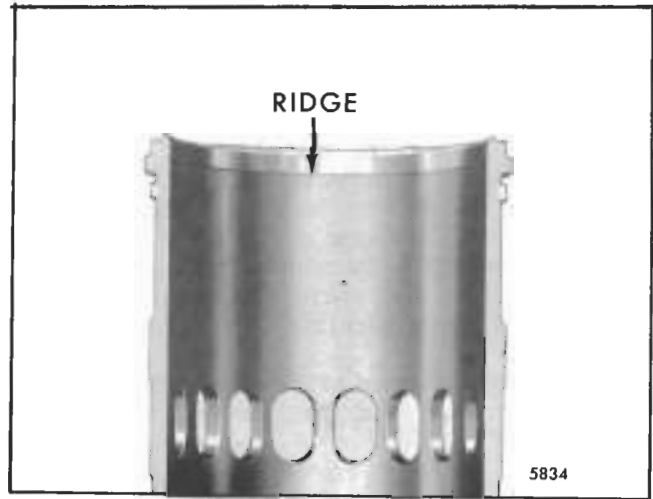


Fig. 4 - Cylinder Liner Ridge Due to Wear

Examine the outside diameter of the liner for fretting below the ports. Fretting is the result of a slight movement of the liner in the block bore during engine operation, which causes material from the block to adhere to the liner. These metal particles may be removed from the surface of the liner with a coarse, flat stone. Also examine the liner for cavitation erosion above the ports.

The liner flange must be smooth and flat on both the top and bottom surfaces. Check for cracks at the flange. The liner insert must also be smooth and flat

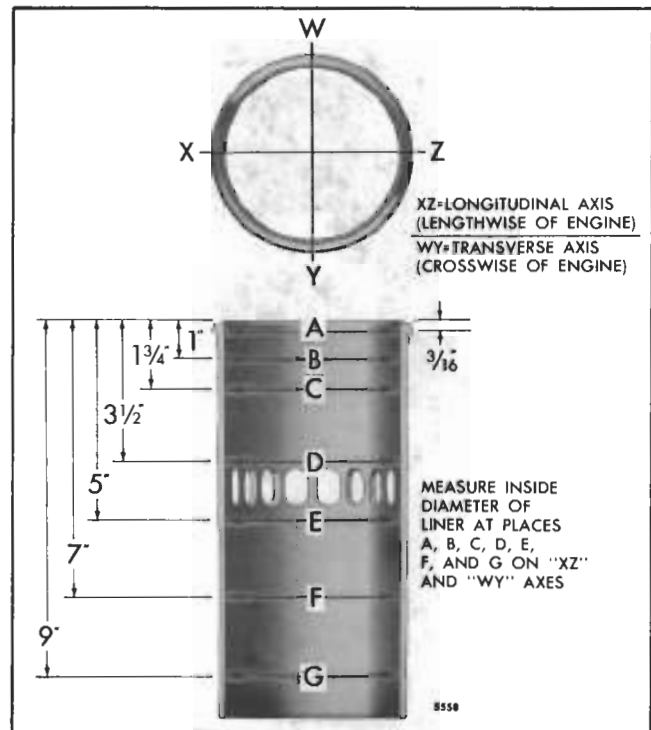


Fig. 5 - Cylinder Liner Measurement Diagram

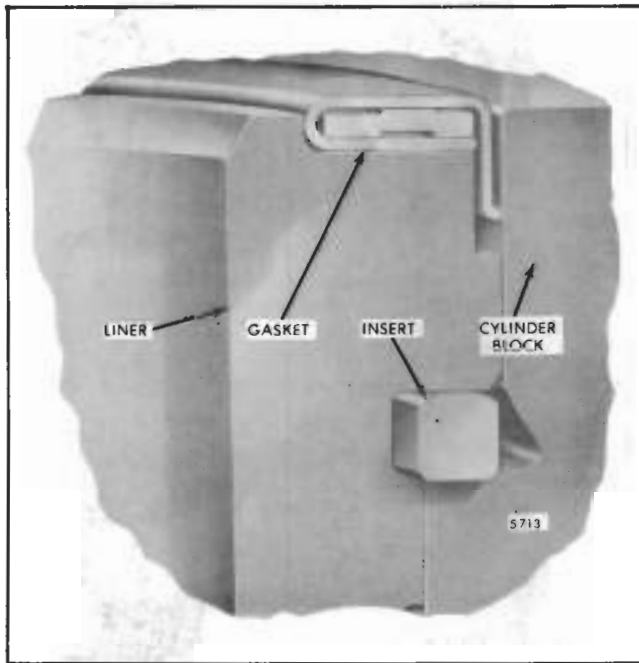


Fig. 6 - Cylinder Liner Mounting in Block

on the top and bottom surfaces as it also acts as a water seal. Replace the insert if there is evidence of brinelling.

Measure the block bore and the outside diameter of the liner. Refer to Section 1.0 for the liner-to-block specifications.

A used cylinder liner must be honed for the following reasons:

CAUTION: Do not modify the surface finish in a new service liner. Since the liner is properly finished at the factory, any change will adversely affect seating of the piston rings.

Size	Thickness	Identification (New Inserts)
std.	.1188"-.1193"	Black oxide or 2 purple stripes
std.	.1200"-.1205"	No color
std.	.1212"-.1217"	Copper or 2 orange stripes
+ .015"	.1338"-.1343"	White and purple stripe
+ .015"	.1350"-.1355"	White stripe
+ .015"	.1362"-.1367"	White and orange stripe

TABLE 1

1. To break the glaze (Fig. 3) which results due to the rubbing action of the piston rings after long periods

of operation. Unless this glaze is removed, the time required to seat new piston rings will be lengthened.

2. To remove the ridge (Fig. 4) formed at the top by the piston ring travel. Otherwise, interference with the travel of the new compression rings may result in ring breakage. Therefore, even though the taper and out-of-round are within the specified limits, the glaze and ridge must be removed by working a hone up and down the full length of the liner a few times.

Place the liner in a fixture (a scrap cylinder block makes an excellent honing fixture). However, if it is necessary to hone a liner in the cylinder block that is to be used in building up the engine, the engine must be dismantled and then, after honing, the cylinder block and other parts must be thoroughly cleaned to ensure that all abrasive material is removed.

The hone J 5902-1, equipped with 120 grit stones J 5902-14, should be worked up and down (at 300-400 rpm) the full length of the liner a few times in a criss-cross pattern that produces hone marks on a 45° axis.

After the liner has been honed, remove it from the fixture and clean it thoroughly. Then dry it with compressed air and check the entire surface for burrs.

After honing, the liner must conform to the same limits on taper and out-of-round as a new liner and the piston-to-liner clearance must be within the specified limits (Section 1.0).

Install the liner (new or used) in the proper bore of the

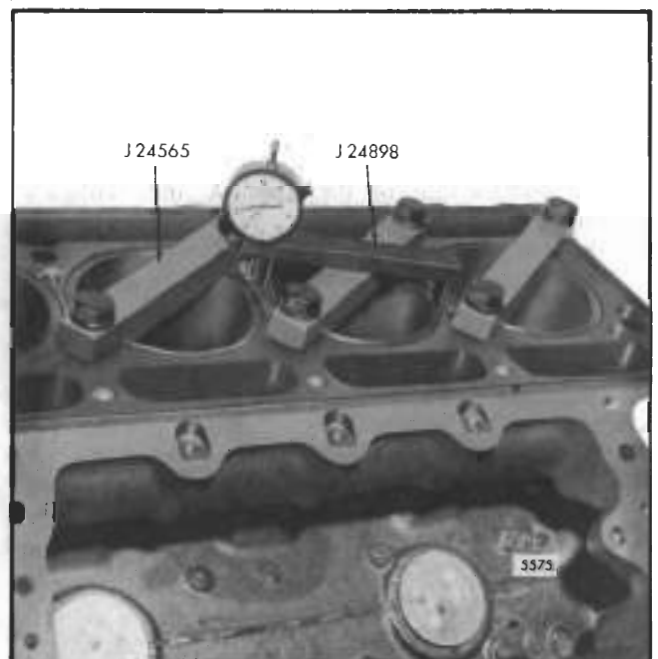


Fig. 7 - Checking Distance of Liner Flange Below Top Face of Block

cylinder block and measure the inside diameter at the various points shown in Fig. 5. New service liners have an *inside* diameter of 4.8391" to 4.8415". Use cylinder bore gage J 5347-01, which has a dial indicator calibrated in .0001" increments. Set the cylinder bore gage on zero in master ring gage J 24564. Also check the liner for taper and out-of-round.

NOTE: Dial bore gage master setting fixture J 23059-01 may be used in place of the master ring gage.

The piston-liner clearance must be within the specified limits (Section 1.0). Also, the taper and the out-of-round must not exceed .0025" on a used liner. The taper must not exceed .0015" or the out-of-round must not exceed .002" on a new liner.

Fitting Cylinder Liner in Block Bore

1. Wipe the inside and outside of the liner clean and make sure the block bore and counterbore are clean, so the liner insert will seat properly. The block counterbore depth must be from either .4755" to .4770" or 4905" to .4920" and must not vary more than .0015" in depth around the circumference. Also no two adjacent block counterbores may range in depth more than .001" when gaged along the longitudinal cylinder block centerline, with the possible exception of the .4905" - .4920" deep counterbores.

NOTE: The cylinder liner is classified according to the flange thickness to help control the distance from the top of the liner to the top of the cylinder block. A cylinder liner with a flange thickness of .3109"-.3100" (thin) has the part number etched on the lower portion of the bottom half of the liner. A liner with a flange thickness of .3120"-.3110" (thick) has the part number etched on the upper portion of the bottom half of the liner (below the air inlet ports). *Install cylinder liners of the same flange thickness range on any one cylinder bank.*

2. Place the liner insert (previously tagged) in the counterbore of the block (Fig. 6). Refer to Table 1 for the dimensions and identification of the liner inserts available, if a new liner insert is required. The .015" thicker inserts are used where the cylinder block counterbore is .015" or more below standard specifications.

3. Push the cylinder liner into the cylinder block until the liner flange rests on the insert. Do not use excessive force to install the liner. The liner should slide smoothly in place with hand pressure.

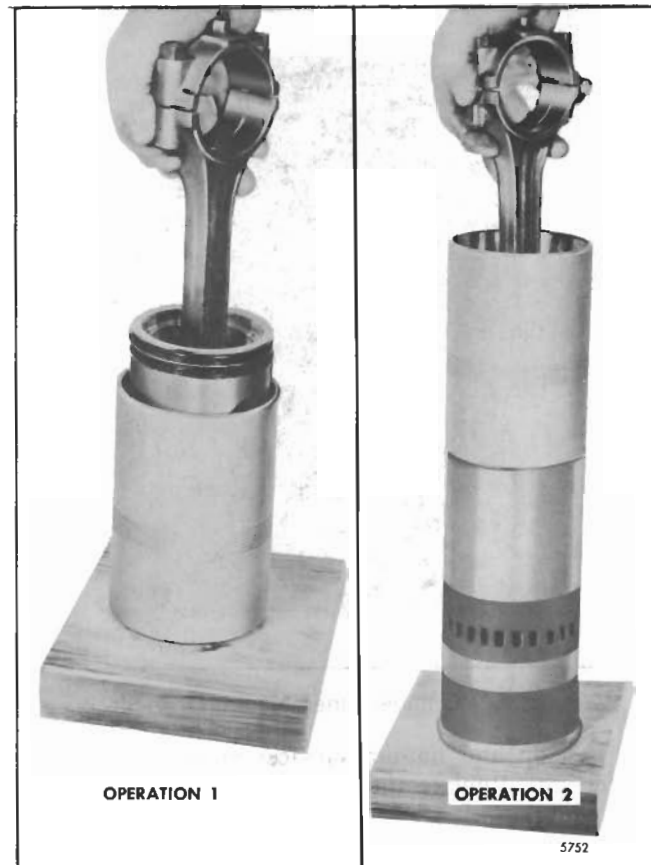


Fig. 8 - Installing Piston and Connecting Rod Assembly in Ring Compressor and Cylinder Liner

4. Clamp the liner in place with hold-down clamp J 24565 as illustrated in Fig. 7 and tighten the two bolts to 50 lb-ft (68 Nm) torque.

NOTE: The cylinder head bolt hole counterbore has been increased in depth to .800" on current cylinder blocks. The depth was formerly .500". This necessitates the use of longer bolts (11/16"-11 x 3") for use with the hold-down clamps.

5. Measure the distance from the top of the liner to the top of the block with a dial indicator (Fig. 7). The liner flange must be .0418" to .0482" below the surface of the block. However, even though all of the liners are within these specifications, there must not be over .0015" difference between any two adjacent liners when measured along the cylinder longitudinal centerline. If the above limits are not met, install a different thickness insert (Table 1), install the liner in another cylinder bore and recheck, or use a new cylinder liner.

6. Matchmark the liner and the cylinder block with a felt pen so the liner may be reinstalled in the same

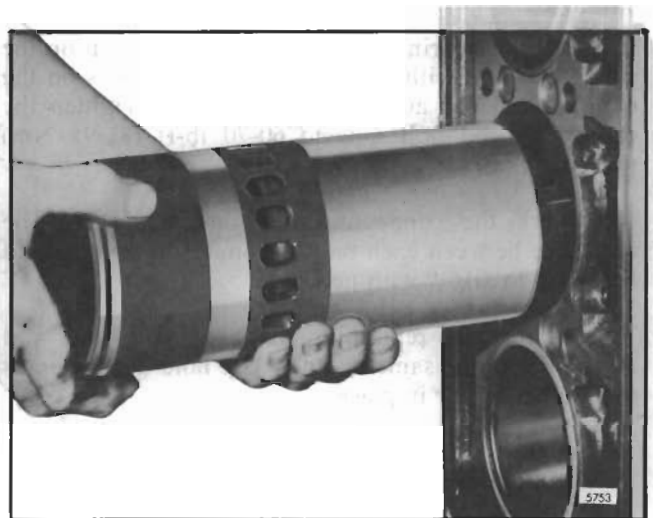


Fig. 9 - Installing Piston, Connecting Rod and Liner Assembly in Cylinder Block

position in the same block bore. Place the matchmarks on the side opposite the camshaft.

7. Remove the hold-down clamp and the cylinder liner.

NOTE: Do not remove the liner insert.

Install Piston and Connecting Rod Assembly

1. With the piston assembled to the connecting rod and the piston rings in place as outlined in Sections 1.6 and 1.6.1, apply clean engine oil to the piston, rings and the inside surface of the piston ring compressor J 24227.

CAUTION: Inspect the ring compressor for nicks or burrs, especially at the non-tapered inside diameter end. Nicks or burrs on the inside diameter of the compressor will result in damage to the piston rings.

2. Place the piston ring compressor on a wood block, with the tapered end of the ring compressor facing up.

3. Position (stagger) the piston ring gaps properly on the piston. Make sure the ends of the oil control ring expanders are not overlapped.

4. Start the top of the piston straight into the ring compressor. Then push the piston down until it contacts the wood block ("Operation 1" of Fig. 8).

5. Note the position of the matchmark and place the liner, with the flange end down, on the wood block.

6. Place the ring compressor and the piston and connecting rod assembly on the liner so the numbers

on the rod and cap are aligned with the matchmark on the liner ("Operation 2" of Fig. 8).

NOTE: The numbers on the side of the connecting rod and cap identify the rod with the cap and indicate the particular cylinder in which they are used. If a new service connecting rod is to be installed, the same identification numbers must be stamped in the same location as on the connecting rod that was replaced.

7. Push the piston and connecting rod assembly down into the liner until the piston is free of the ring compressor.

CAUTION: Do not force the piston into the liner. The peripheral abutment type expanders apply considerable force on the oil ring. Therefore, extra care must be taken during the loading operation to prevent ring breakage.

8. Remove the connecting rod cap and the ring compressor. Then push the piston down until the compression rings pass the cylinder liner ports.

Install Cylinder Liner, Piston and Connecting Rod Assembly

After the piston and connecting rod assembly have been installed in the cylinder liner, install the entire assembly in the engine as follows:

1. Make sure the seal ring grooves in the cylinder block bore are clean. Then install a new seal ring in each groove.

2. Apply hydrogenated vegetable type shortening or permanent antifreeze to the inner surface of each seal ring.

CAUTION: Do not use a methoxy propanol base antifreeze as it will damage the seal rings.

3. If any of the pistons and liners are already in the engine, use hold-down clamps to retain the liners in place when the crankshaft is rotated.

4. Rotate the crankshaft until the connecting rod journal of the particular cylinder being worked on is at the bottom of its travel. Wipe the journal clean and lubricate it with clean engine oil.

5. Install the upper bearing shell -- the one *without* the continuous oil groove -- in the connecting rod. Lubricate the bearing shell with clean engine oil.

6. Position the piston, rod and liner assembly in front of the cylinder block bore so that the identification number and letter on the connecting rod face the outer

edge of the cylinder block and the matchmarks on the liner and the block are in alignment. Guide the end of the connecting rod through the block bore carefully to avoid damaging or dislodging the bearing shell. Then slide the piston, rod and liner assembly straight into the block bore (Fig. 9) until the liner flange rests against the insert in the counterbore in the block.

7. Push or pull the piston and connecting rod into the liner until the upper bearing shell is firmly seated on the crankshaft journal.

NOTE: Be sure the marks on the end of the connecting rod cap bolts are parallel with each other. This indicates proper alignment of the bolts in the connecting rod.

CAUTION: The distance from the vertical center line of the connecting rod bolts to the edges of the rod are not equal. Therefore, when installing the piston and connecting rod assembly, be sure that the narrow side of the two connecting rods on the crankshaft journal are together to avoid cocking of the rod.

8. Place the lower bearing shell -- the one with the continuous oil groove from one parting line to the other -- in the connecting rod cap. Lubricate the bearing shell with clean engine oil.

9. Install the bearing cap and the bearing shell on the connecting rod with the identification numbers on the cap and the rod adjacent to each other. Tighten the connecting rod bolt nuts to 60-70 lb-ft (81-95 Nm) torque.

10. Check the connecting rod side clearance. The clearance between each pair of connecting rods should be .008 " to .016 " with new parts.

11. Install the remaining liner, piston and rod assemblies in the same manner. Use hold-down clamps to hold each liner in place.

12. After all of the liners and pistons have been installed, remove the hold-down clamps.

13. Install new compression gaskets and water and oil seals as outlined in Section 1.2. Then install the cylinder head and any other parts which were removed from the engine.

14. After the engine has been completely reassembled, refer to the *Lubricating Oil Specifications* in Section 13.3 and refill the crankcase to the proper level on the dipstick.

15. Close all of the drains and fill the cooling system.

16. If new parts such as pistons, rings, cylinder liners or bearings were installed, operate the engine on the *run-in* schedule given in Section 13.2.1.

ENGINE BALANCE AND BALANCE WEIGHTS

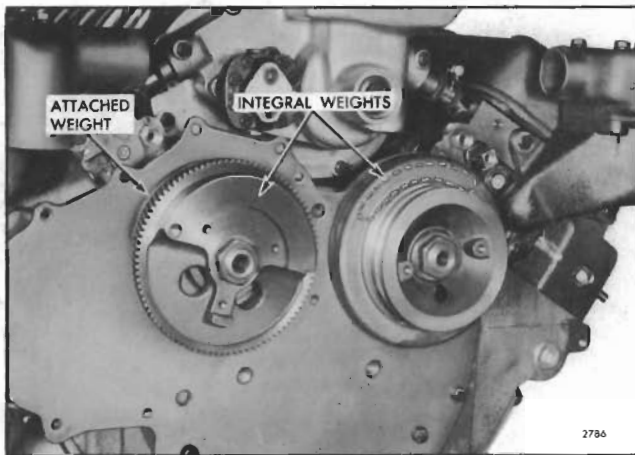


Fig. 1 - Typical Front Balance Weight Mounting

In the balance of the two-cycle engine, it is important to consider disturbances due to the reciprocating action of the piston masses. These disturbances are of two kinds; unbalanced forces and unbalanced couples. These forces and couples are considered as primary or secondary according to whether their frequency is equal to engine speed or twice engine speed. Although it is possible to have unbalanced forces or couples at frequencies higher than the second order, they are of small consequence in comparison to the primary forces and couples. Even the secondary forces and couples are usually of little practical significance.

The reciprocating masses (the piston and upper end of the rod) produce an unbalanced couple due to their arrangement on the crankshaft. This unbalanced

couple tends to move the ends of the engine in an elliptical path. This couple is cancelled by incorporating an integral crankshaft balance component and by placing balance weights at the outer ends of the camshafts. These camshaft balance weights are integral with the camshaft gears and the camshaft front pulley. An additional balance weight is bolted to the water pump drive gear used on the 6V and 8V engines. This balance arrangement produces a couple that is equal and opposite in magnitude and direction to the primary couple.

On the camshafts, each set of weights (weights on the outer ends of one cylinder bank comprise a set) rotate in an opposite direction with respect to the other. When the weights on either end of the engine are in a vertical plane, their centrifugal forces are in the same direction and oppose the primary couple. When they are in a horizontal plane, the centrifugal forces of these balance weights oppose each other and are, therefore, cancelled. The front balance weights act in a direction opposite to the rear balance weights, therefore, rotation will result in a couple effective only in a vertical plane. This couple, along with that built into the crankshaft, forms an elliptical couple which completely balances the primary couple.

Both the rotating and primary reciprocating forces and couples are completely balanced in the V-92 engine. There are no secondary forces present in the V-92 engine. Consequently, the engine will operate smoothly and in balance throughout its entire speed range.

A camshaft torsion vibration damper is mounted to an adaptor hub attached to the water pump drive gear used on the 8V engines.

GEAR TRAIN AND ENGINE TIMING

GEAR TRAIN (6V and 8V Engines)

A train of helical gears, completely enclosed between the engine end plate and the flywheel housing, is located at the rear of the engine. The gear train consists of a crankshaft gear, an idler gear, two camshaft gears and a blower drive gear. For non-turbocharged engines, a step-up gear is attached to the right bank camshaft gear which meshes with and drives the blower drive gear (Fig. 1).

The crankshaft gear, bolted to the flange at the rear of the crankshaft, drives the camshaft gears as well as the blower drive gear through an idler gear mounted on a stationary hub on either the right-hand or left-hand side of the engine (viewed from the flywheel end), depending upon the engine rotation.

The camshaft gears are pressed on and keyed to their

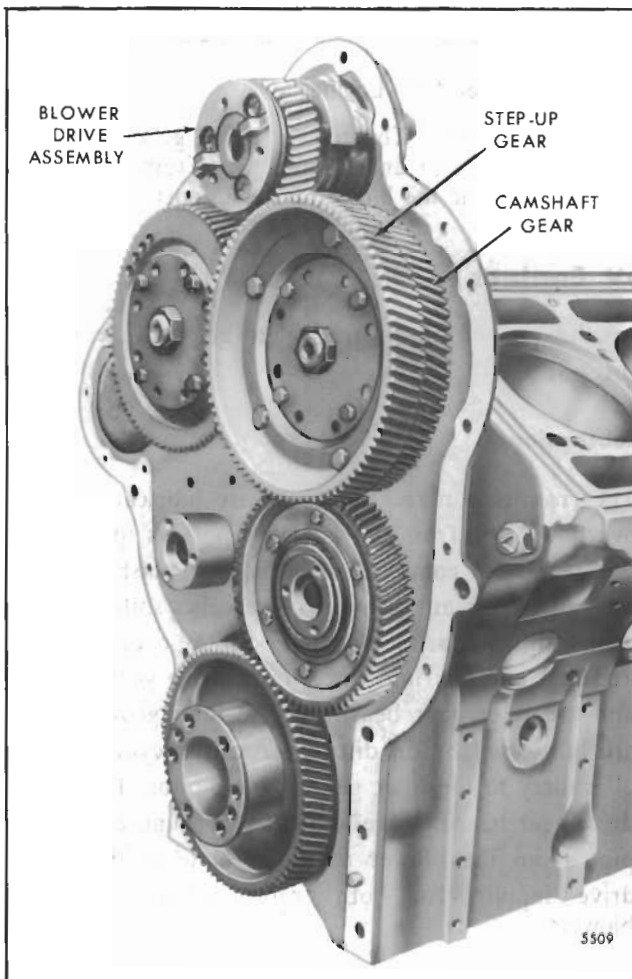


Fig. 1 - Gear Train

respective shafts and each is secured by a nut and gear nut retainer.

The two camshaft gears mesh with each other and run at the same speed as the crankshaft gear. Since the camshaft gears must be in time with each other, and the two as a unit in time with the crankshaft gear, timing marks (Fig. 2) have been stamped on the face of the gears to facilitate correct gear train timing. The symbol system of marking the gears makes gear train timing a comparatively easy operation. When assembling the engine, it is important to remember the engine rotation. Then, working from the crankshaft gear to the idler gear and to the camshaft gear in that order, line up the appropriate symbols on the gears as each gear assembly is installed on the engine.

NOTE: It is advisable to line up and make a sketch indicating the position of the timing marks *before* removing or replacing any of the gears in the gear train. *There is no advance timing (A) on the V-92 engines.*

There are no timing marks on the accessory drive gear, if used, or the blower drive gear. Therefore, it is not necessary to align these gears in any particular position during their installation.

However, as the blower drive gear and the accessory drive gear have only about half as many teeth as the camshaft gears, they turn at approximately twice the speed of the crankshaft.

The backlash between the various mating gears in the gear train should be .002" to .008", and should not exceed .010" backlash between worn gears.

Gear train noise is usually an indication of excessive gear lash, chipped, pitted or burred gear teeth or excessive bearing wear. Therefore, when noise develops in a gear train, the flywheel housing should be removed and the gear train and its bearings inspected. A rattling noise usually indicates excessive gear lash whereas a whining noise indicates too little gear lash.

Lubrication

The gear train is lubricated by the overflow of oil from the camshaft pockets spilling into the gear train compartment and by splash from the oil pan. A certain amount of oil also spills into the gear train compartment from both camshaft rear end bearings,

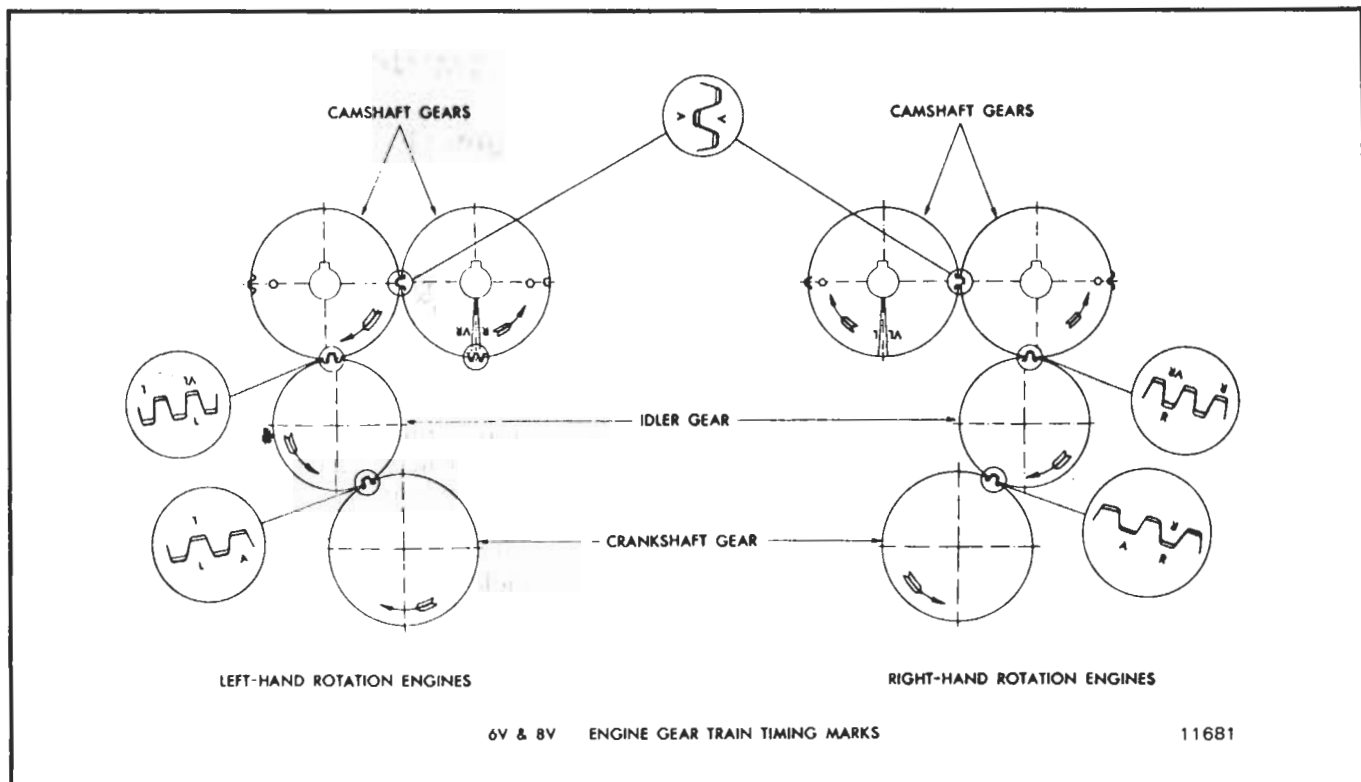


Fig. 2 - Gear Train and Timing Marks for 6V and 8V Engines

the blower drive gear bearing and the idler gear bearing. The idler gear bearing is lubricated by oil directly from the cylinder block oil gallery to the idler

gear bearing hub. The blower drive gear bearing is lubricated through an external pipe from the blower rear end plate to the blower drive support.

GEAR TRAIN (16V Engines)

A train of helical gears is located at each end of a 16V engine. Each gear train consists of two camshaft gears, an idler gear and a crankshaft timing gear. Standard gear train timing is illustrated in Fig. 3.

Before removing or replacing any of the gears, rotate the crankshaft in the direction of engine rotation until the diamond timing marks are aligned on the front camshaft gears or the triangle timing marks are aligned on the rear camshaft gears (Fig. 3). Then check whether the "L" or "R" timing mark on the crankshaft gear is aligned with the "L" or "R" on the idler gear and record this information for reassembly purposes.

Note that when the gear train is installed (and the timing marks properly aligned) at one end of the engine, the crankshaft must be rotated 180° in the direction of engine rotation to align the timing marks

on the gear train at the other end of the engine (Fig. 3).

Lubrication

The front and rear gear trains are lubricated by the overflow of oil from the camshaft pockets spilling into the gear train compartments and by splash from the oil pan. A certain amount of oil also spills into the gear train compartments from both the camshaft front and rear end bearings, the blower drive gear bearings and the idler gear bearings. The idler gear bearings are lubricated by oil directly from the cylinder block oil gallery to the idler gear bearing hubs. The blower drive gear bearings are lubricated through an external pipe from the blower rear end plate to the blower drive support for both front and rear mounted blowers.

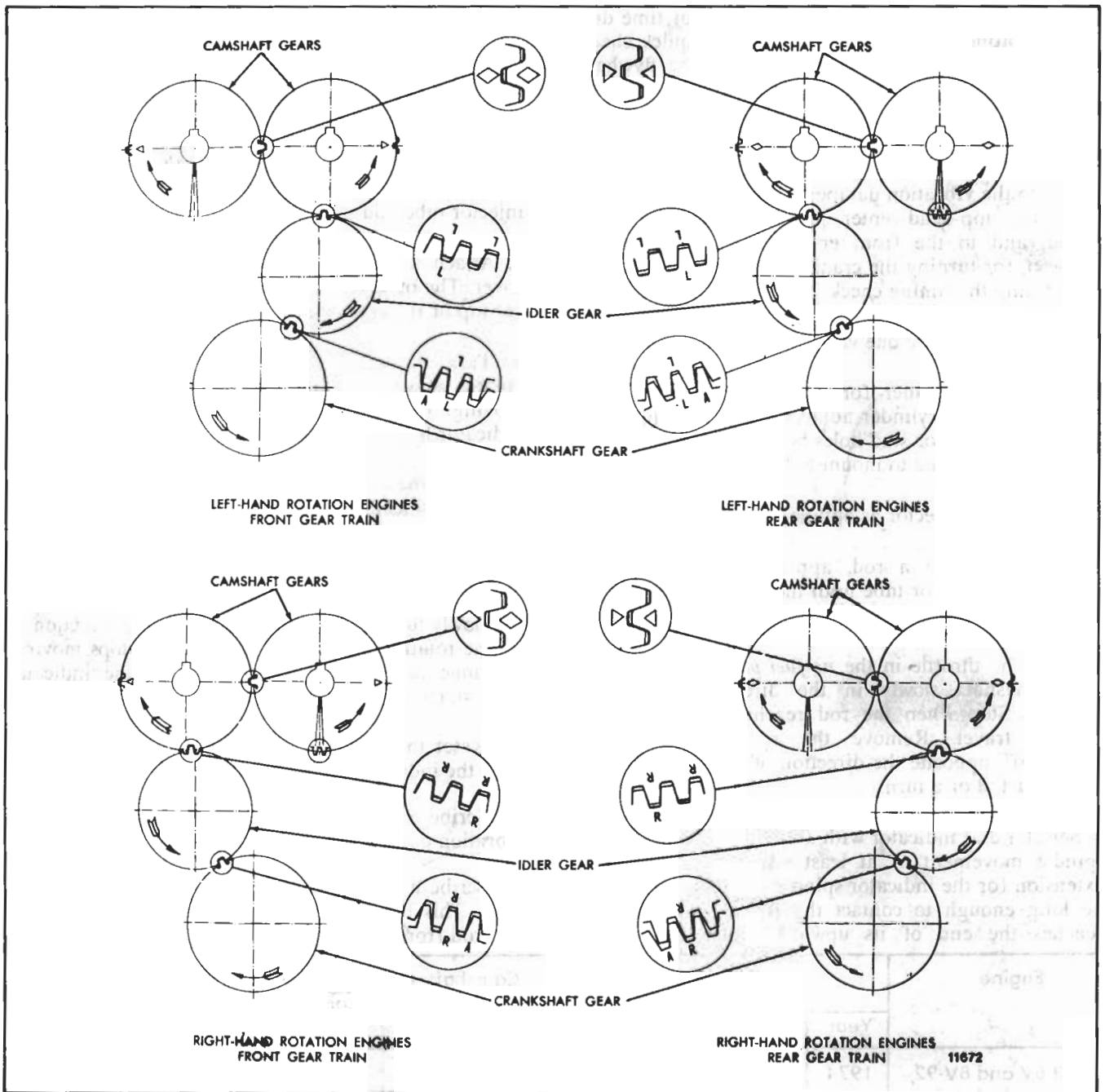


Fig. 3 - Gear Train and Timing Marks for 16V Engine

ENGINE TIMING

The correct relationship between the crankshaft and the two camshafts must be maintained to properly control fuel injection, the opening and closing of the exhaust valves and engine balance.

The crankshaft timing gear can be mounted in only one position since one attaching bolt hole is offset. The two camshaft gears can also be mounted in only one

position due to the location of the keyway in each camshaft relative to the cams. Therefore, when the engine is properly timed, the timing marks on the various gears will match as shown in Figs. 2 and 3.

An engine which is "out of time" may result in pre-ignition, uneven running and a loss of power.

When an engine is suspected of being out of time due to an improperly assembled gear train, a quick check can be made without having to remove the flywheel and flywheel housing by following the procedure outlined below.

Check Engine Timing

Access to the vibration damper or crankshaft pulley, to mark the top-dead-center position of the selected piston, and to the front end of the crankshaft or flywheel, for turning the crankshaft, is necessary when performing the timing check. Then proceed as follows:

1. Clean and remove one valve rocker cover.
2. Select any cylinder for the timing check -- it is suggested that a cylinder adjacent to one of the valve rocker cover bolt or stud holes be chosen since the stud or bolt may be used to mount a dial indicator.
3. Remove the injector as outlined in Section 2.1.1.
4. Carefully slide a rod, approximately 12" long, through the injector tube until the end of the rod rests on top of the piston.
5. Place the throttle in the *no-fuel position*. Then turn the crankshaft slowly in the direction of engine rotation. Stop when the rod reaches the end of its upward travel. Remove the rod and turn the crankshaft, opposite the direction of rotation, between 1/16 and 1/8 of a turn.
6. Select a dial indicator with .001" graduations and a spindle movement of at least one inch. Provide an extension for the indicator spindle. The extension must be long enough to contact the piston just before it reaches the end of its upward stroke. Also select

suitable mounting attachments for the indicator so it can be mounted over the injector tube in the cylinder head.

7. Mount the indicator over the injector tube. The indicator mounting may be threaded into the rocker cover stud or the tapped hole in the cylinder head. Check to be sure the indicator spindle is free in the injector tube and is free to travel at least one inch.
8. Attach a suitable pointer to the crankshaft front cover. The outer end of the pointer should extend over the top of the crankshaft pulley (or vibration damper).
9. Turn the crankshaft slowly in the direction of engine rotation until the indicator hand just stops moving. Continue turning the crankshaft until the indicator hand starts to move again.
10. Reset the dial to zero. Then turn the crankshaft until the indicator reading is .010".
11. Scribe a line on the crankshaft pulley (or vibration damper) in line with the end of the pointer.
12. Slowly turn the crankshaft opposite the direction of engine rotation until the indicator hand stops moving. Continue turning the crankshaft until the indicator hand starts to move again.
13. Reset the dial to zero. Then turn the crankshaft until the indicator reading is .010".
14. Scribe a second line on the crankshaft pulley (or vibration damper) in line with the end of the pointer.
15. Scribe a third line half way between the first two lines. This is top dead center. Remove the indicator and rod from the engine.

Engine	Certification Label			Camshaft + Identification	Indicator Reading*		
	Year	Federal	California		Correct	Retarded 1-Tooth	Advanced 1-Tooth
All 6V and 8V-92	1974	X	X	3J28	.230	.197	.262
	1975	X	X	3J28	.230	.197	.262
	1976	X	X	3J28	.230	.197	.262
	1977	X		3J28	.230	.197	.262
	1977	X	X	3J33	.197	.165	.230
	1978	X		3J28	.230	.197	.262
	1978	X	X	3J33	.197	.165	.230
All 16V-92 Rear Camshaft		1974-1977		3J28	.230	.197	.262
Front Camshaft		1974-1977		3J28	.241	.208	.271

+ Camshaft Identification stamped on rear end of camshaft.

* Indicator Readings shown are nominal values. The allowable tolerance is $\pm .005$ ".

TABLE 1

NOTE: If the crankshaft pulley retaining bolt has loosened, tighten it to the specified torque (Section 1.3.7).

16. Install the injector as outlined in Section 2.1.1. Then refer to Section 14 and adjust the valve clearance and time the injector.

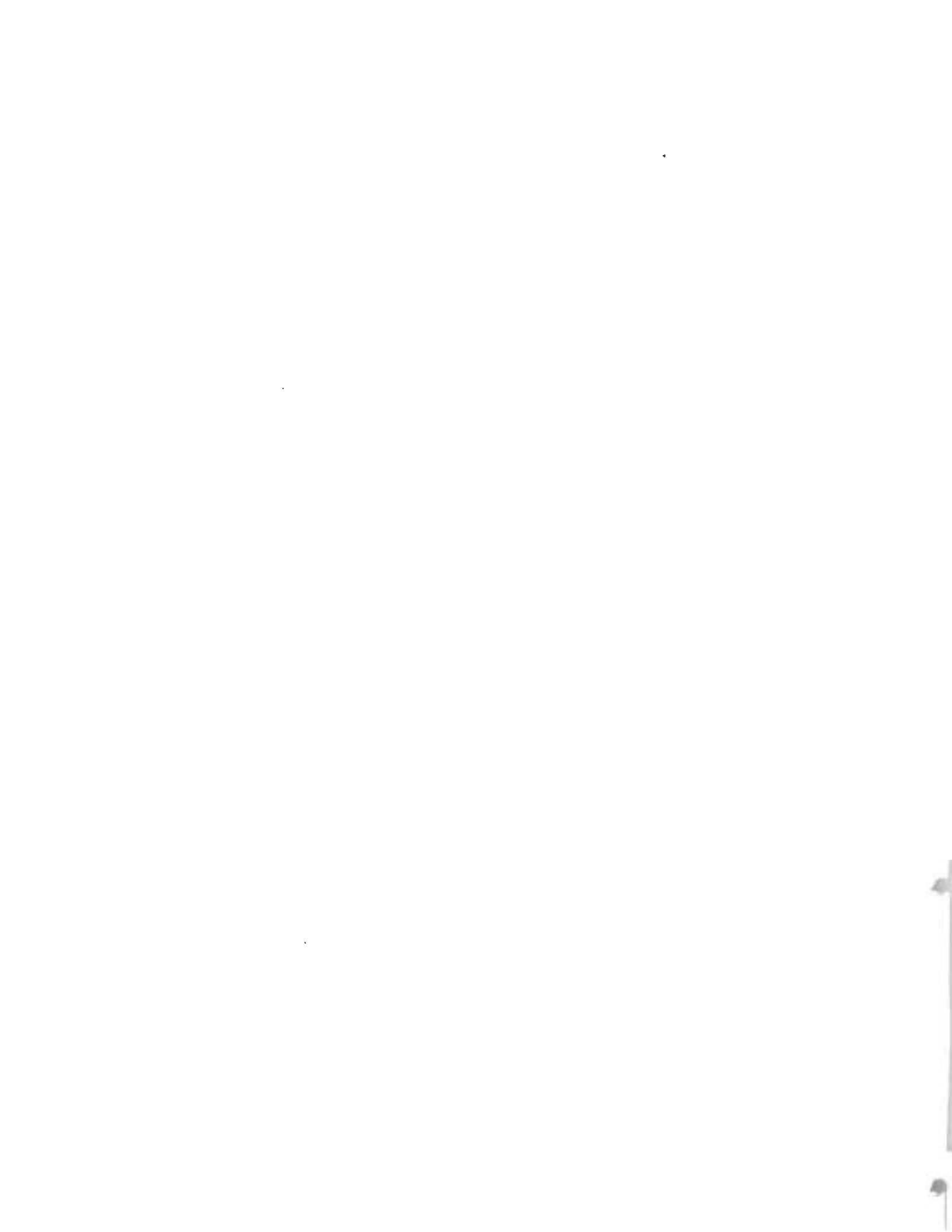
17. Turn the crankshaft, in the direction of engine rotation, until the exhaust valves in the cylinder selected are completely open. Reinstall the dial indicator so the indicator spindle rests on top of the injector follower. Then set the indicator on zero. Next

turn the crankshaft slowly, in the direction of engine rotation, until the center mark on the pulley is in line with the pointer.

18. Note the indicator reading and compare it with the dimensions listed in Table 1.

19. After completing the timing check, remove the dial indicator. Also remove the pointer from the crankshaft front cover.

20. Install the valve rocker cover.



CAMSHAFTS AND BEARINGS

(6 and 8V ENGINES)

The contrarotating camshafts are located just below the top of the cylinder block. A left cylinder bank and a right cylinder bank camshaft is provided to actuate the exhaust valve and injector operating mechanism.

Both ends of each camshaft are supported by a bearing assembly which consists of a flanged housing and two bushings. In addition, intermediate two-piece bearings support the camshafts at uniform intervals throughout their length. The intermediate bearings are secured to the camshaft by lock rings, thus permitting them to be inserted in the cylinder block with the shafts. Each intermediate bearing is secured in place, after the camshafts are installed, with a lock screw threaded into a counterbored hole in the top of the cylinder block.

The camshaft gear thrust load is absorbed by two thrust washers, one on each end of the rear camshaft end bearing, on each shaft.

A camshaft front pulley (integral weight) is attached to the front end of the left bank camshaft and a water pump drive gear (bolt-on weight) is attached to the front end of the right bank camshaft. A camshaft gear is attached to the rear end of each camshaft. The pulley and the gears are retained on the camshafts with a retaining nut or a lock bolt and washer.

The 8V engines are equipped with a rubber bushed camshaft torsional vibration damper that is keyed and bolted to a hub attached to the water pump drive gear with three bolts, plain washers and lockwashers.

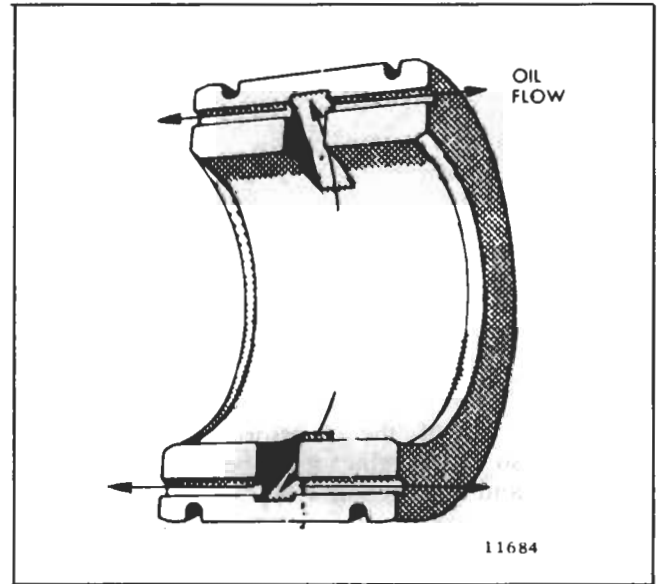


Fig. 2 - Camshaft Intermediate Bearing (Lower Half)

Lubrication

Lubricating oil is supplied under pressure to the bearings via drilled passages in the rear of the cylinder block, which lead from the main oil gallery to each rear end bearing. From the rear end bearings, the oil passes through the drilled oil passages in the camshafts to the intermediate bearings and to the front end bearings.

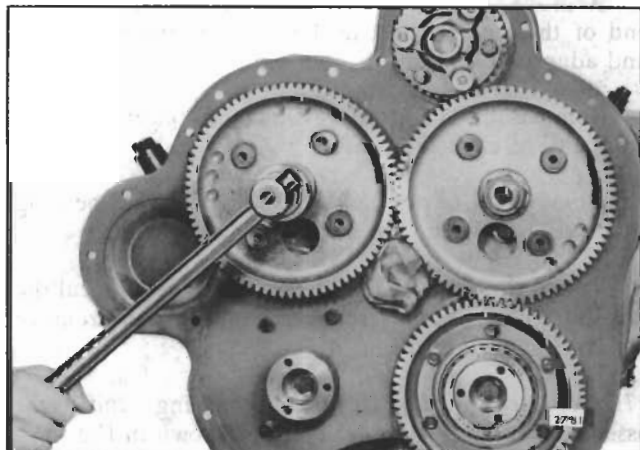


Fig. 1 - Loosening Camshaft Gear Retaining Nut

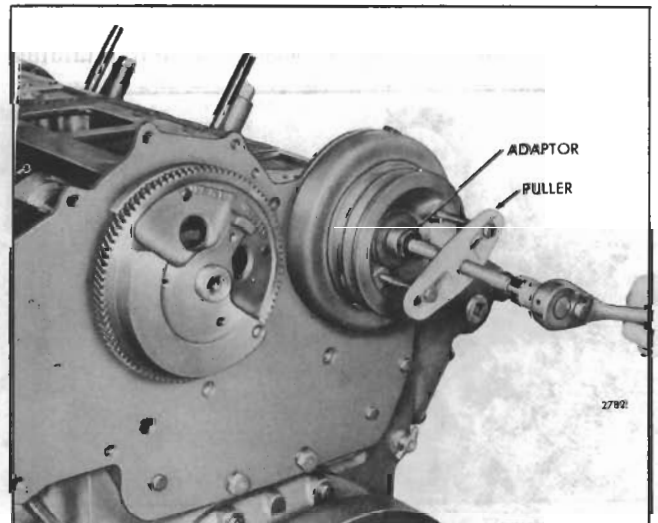


Fig. 3 - Removing Camshaft Pulley

The lower halves of the camshaft intermediate bearings are grooved along the horizontal surface that mates with the upper halves of the bearings (Fig. 2). Oil from the passage in the camshaft is forced through the milled slots in the bearing and then out the grooves to furnish additional oil to the cam follower rollers. This permits the cam pocket to be filled rapidly to the operating oil level immediately after starting the engine.

Remove Camshafts

Whenever an engine is to be completely reconditioned or the bearings, thrust washers or gears need replacing, remove the camshafts from the engine as follows:

1. Drain the engine cooling system.
2. Remove all of the accessories and assemblies necessary so the engine may be mounted on an overhaul stand (see Section 1.1).
3. Mount the engine on the overhaul stand. Be sure the engine is securely mounted on the overhaul stand before releasing the lifting sling.
4. Remove the cylinder heads as outlined in Section 1.2.
5. Remove the flywheel and flywheel housing as outlined in Sections 1.4 and 1.5.
6. Remove the water pump.
7. Remove the front balance weight cover.
8. Remove the bolts and step-up gear, if used, from the rear right bank camshaft gear (Fig. 1, Section 1.7.1).
9. Remove the bolts which secure the nut retaining

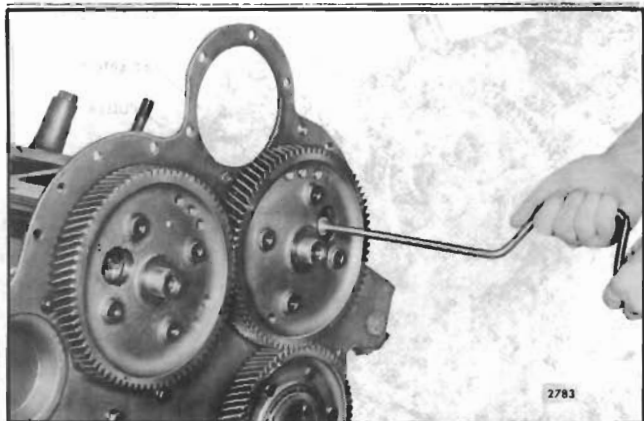


Fig. 4 - Removing or Installing Camshaft End Bearing Retaining Bolts

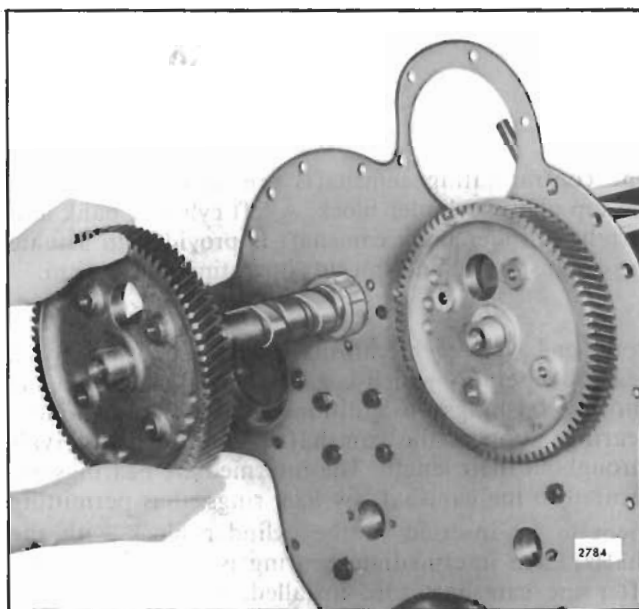


Fig. 5 - Removing or Installing Camshaft Assembly

plates to the camshaft gears. Then remove the nut retaining plates.

10. Wedge a clean rag between the gears (Fig. 1) and remove the gear retaining nut from both ends of each camshaft. On left hand rotation engines remove the lock bolt and washer from the right bank camshaft.

11. Attach puller J 24420 to the camshaft pulley. Use adaptor J 7932 between the end of the camshaft and the pulley screw to protect the end of the camshaft (Fig. 3).

12. Remove the camshaft vibration damper and hub from the water pump drive gear, if used.

13. Remove the water pump drive gear from the front end of the right bank camshaft, using puller J 24420 and adaptor J 7932.

14. Remove the Woodruff key and the spacer from the front end of each camshaft.

15. Remove all of the camshaft intermediate bearing lock screws from the top of the cylinder block.

16. Rotate the camshaft gears as required to reveal the camshaft end bearing retaining bolts. Then remove the bolts as shown in Fig. 4.

17. Withdraw each camshaft, bearing and gear assembly from the cylinder block as shown in Fig. 5.

18. Remove the camshaft front end bearing retaining bolts. Then withdraw the bearings from the cylinder

block. If necessary, use a pry bar under the bearing flange.

Remove Camshaft (Flywheel Housing and Transmission in Place)

The camshaft may be removed and replaced without removing the flywheel housing and disconnecting the transmission if there is space enough to slide the shaft out through the front of the engine and attach the camshaft gear puller tool J 1902-01 to the flywheel housing.

1. Drain the engine cooling system and remove the radiator or heat exchanger and all attaching parts.
2. Remove the parts, accessories and assemblies that are necessary to facilitate the removal of the flywheel housing hole cover over the camshaft and the front balance weight cover.
3. Remove the cylinder head (Section 1.2).
4. Remove the front balance weight cover.
5. Remove the camshaft gear nut retaining plate.
6. Block the crankshaft, between the crankshaft throw and the cylinder block, and remove the gear retaining nut or lock bolt and washer from both ends of the camshaft.
7. If a left bank camshaft is to be removed, attach puller J 24420 to the camshaft pulley. Use adaptor J 7932 between the end of the camshaft and the pulley screw to protect the end of the camshaft (see Fig. 3).

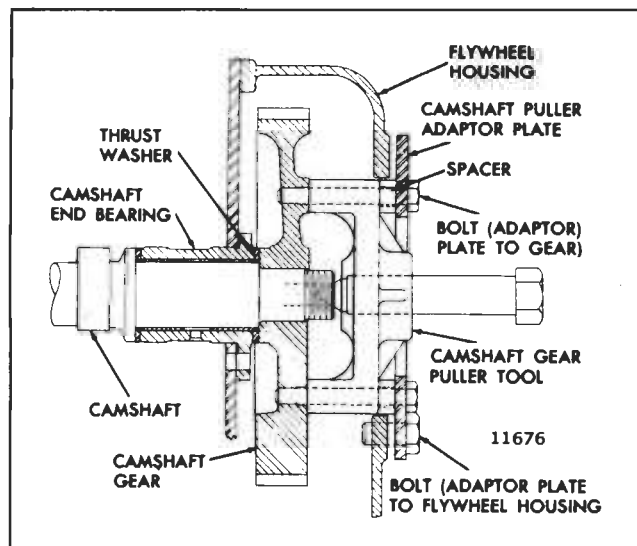


Fig. 6 - Removing Camshaft with Camshaft Gear Puller J 1902-01 and Adaptor Plate Set J 6202

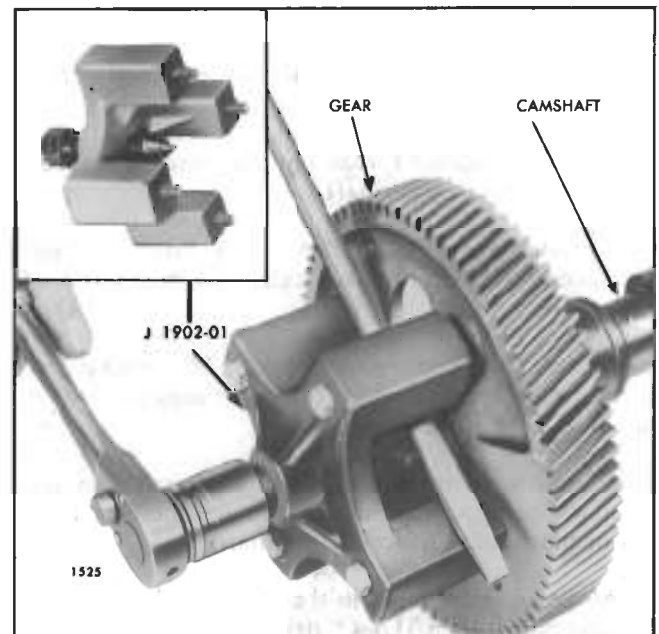


Fig. 7 - Removing Gear (Camshaft Gear Puller J 1902-01)

8. If a right bank camshaft is to be removed, remove the camshaft vibration damper and hub from the water pump drive gear, if used.
9. Remove the water pump drive gear and spacer from the front end of the camshaft, using puller J 24420 and adaptor J 7932.
10. Remove the Woodruff key and the spacer from the front end of the camshaft.
11. Remove all of the camshaft intermediate bearing lock screws from the top of the cylinder block.
12. Remove the three bolts that secure the camshaft bearing to the front end plate.
13. Install the camshaft gear puller J 1902-01, four spacers J 6202-2 and camshaft gear puller adaptor plate J 6202-1 on the camshaft gear (Figs. 6 and 7).
14. Turn the center screw of the puller clockwise to disengage the camshaft gear.

NOTE: Do not remove the puller or the adaptor plate until the camshaft is reinstalled. The adaptor plate, secured to both the flywheel housing and the camshaft gear, will hold the gear, also the thrust washers securely in place and in alignment which will aid in the reinstallation of the camshaft.

15. Remove the front bearing from the camshaft. Then pull the camshaft and intermediate bearings from the cylinder block.

Disassemble Camshafts

1. Remove the gear from each camshaft (refer to Section 1.7.3).
2. Slide the camshaft rear end bearing and thrust washers off of each camshaft.
3. Remove the lock rings from the camshaft intermediate bearings, thus freeing the two halves of each bearing.
4. Remove the end plugs from each camshaft, to facilitate the removal of any foreign material lodged behind the plugs, as follows:
 - a. Clamp the camshaft in a vise equipped with soft jaws, being careful not to damage the cam lobes or machined surfaces of the shaft.
 - b. Make an indentation in the center of the camshaft end plug with a $31/64$ " drill (carboly tip).
 - c. Punch a hole as deeply as possible with a center punch, to aid in breaking through the hardened surface of the plug.
 - d. Then drill a hole straight through the center of the plug with a $1/4$ " drill (carboly tip).
 - e. Use the $1/4$ " drilled hole as a guide and re-drill the plug with a $5/16$ " drill (carboly tip).
 - f. Tap the drilled hole with a $3/8$ "-16 tap.
 - g. Thread a $3/8$ "-16 adaptor J 6471-2 into the plug. Then attach a slide hammer J 2619-5 to the adaptor and remove the plug by striking the weight against the handle.
 - h. Insert a length of $3/8$ " steel rod in the camshaft oil gallery and drive the remaining plug out.

NOTE: If a steel rod is not available, remove the remaining plug as outlined in Steps "a" through "g".

Inspection

Soak the camshaft in clean fuel oil. Then run a wire brush through the oil gallery to remove any foreign material or sludge. Clean the exterior of the camshaft and blow out the oil gallery and the oil holes with compressed air. Clean the camshaft bearings and related parts with fuel oil and dry them with compressed air.

Inspect the cams and journals for wear or scoring. If the cams are scored, inspect the cam followers as

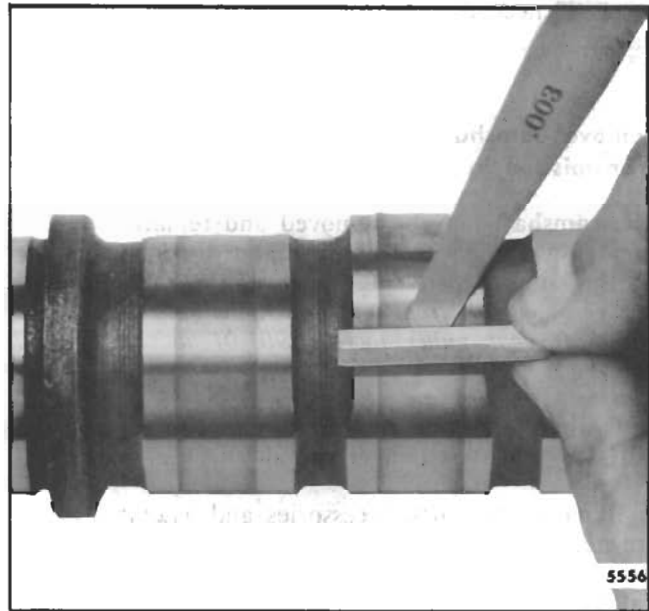


Fig. 8 - Checking Cam Lobe Wear

outlined in Section 1.2.1. Also inspect the camshaft keyways and threads for damage.

If there is a doubt as to the acceptability of the camshaft for further service, determine the extent of cam lobe wear as follows:

NOTE: The camshaft can be in or out of the engine during this inspection.

1. With a tapered leaf set of feeler gages ($.0015$ " - $.010$ ") and a piece of square hard material ($1/8$ " x $3/8$ " x 1 "), measure the flat on the injector rise side of the cam lobes (Fig. 8).
2. If the flats measure less than $.003$ " in depth and there are no other defects, the camshaft is satisfactory for service.
3. A slightly worn cam lobe, still within acceptable limits, may be stoned and smoothed over with a fine crocus cloth.

Check the runout at the center bearing with the camshaft mounted on the end bearing surfaces. Runout should not exceed $.002$ ".

Examine both faces of each camshaft rear end bearing and thrust washer. Also examine the surfaces of each camshaft and camshaft gear which contact the thrust washers. Replace excessively worn or scored parts. Camshaft or camshaft gear thrust surfaces that are not scratched too severely may be smoothed down with an oil stone.

NOTE: If a new camshaft is to be installed,

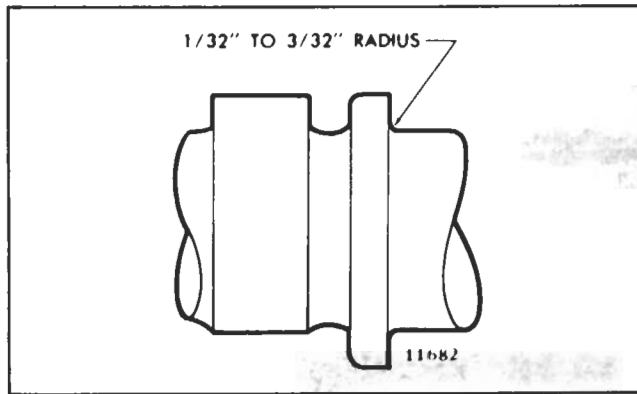


Fig. 9 - Camshaft Journal Fillet

steam clean it to remove the rust preventive and blow out the oil passages with compressed air.

New standard size thrust washers are .119 " to .122 " thick. The clearance between the thrust washer and the thrust shoulder of the camshaft is .004 " to .012 " with new parts, or a maximum of .018 " with used parts. Excessive clearance may be reduced by using thrust washers which are .005 " or .010 " oversize.

When the thrust surfaces of a camshaft are ground undersize, a radius of 1/32 " to 3/32 " must be maintained between the bearing surface of the thrust collar shoulder and the bearing surface of the camshaft (Fig. 9). A fillet radius gage may be used to measure the specified radii.

Inspect the bushings in the front and rear camshaft end bearings. Replace the bushings if they are worn excessively (maximum of .006 " bushing to shaft clearance) or if the bushings have turned in the bearing. Rear camshaft end bearings are available in .010 " or .020 " undersize for use with shafts which have worn or been reground and the clearances exceed the specified limits.

New bushings must be finish bored to a 20 rms finish after installation and checked for the proper press fit, which is indicated if the bushings will not move when a 2000 pound (13.5 kN) end load is applied. Also, the inside diameter of the bushings must be square with the rear face of the bearing within .0015 " total indicator reading, and concentric with the outside diameter of the bearing housing within .002 " total indicator reading. The bushings must project .045 " to .055 " from each end of the rear camshaft end bearings. The bushings in the front camshaft end bearings must be flush with the ends of the bushing bore.

The clearance between the camshaft end journals and the camshaft end bearing bushings for 6V engines is .0025 " to .004 " and for 8V engine is .0035 " to .005 " with new parts, or a maximum of .006 " with used

parts. Undersize and oversize camshaft end bearings are available for service.

Inspect the oil seal in the left bank camshaft front end bearing for wear or damage. Replace the seal if necessary. Also examine the spacer used at the front end of each camshaft. The outside diameter of the spacer used in the left bank front end bearing must provide a smooth oil seal contact surface. The outside diameter is not ground and polished on the original spacer used on the right bank camshaft. Only the polished spacer is available for service and may be used in either position.

Replace excessively scored or worn camshaft intermediate bearings. The clearance between the camshaft journals and the intermediate bearings is .0025 " to .005 " with new parts, or a maximum of .009 " with worn parts. Undersize and oversize camshaft intermediate bearings are available for service. Also examine the intermediate bearing lock screws and the tapped holes in the cylinder block for damaged threads.

Examine the teeth on the water pump drive gear and the camshaft gears for scoring, pitting or wear. Replace the gears if necessary. Also examine the keyways and tapped holes in the gears and the camshaft pulley for damage.

Inspect the rubber bushed torsion vibration damper, if used, for deterioration of rubber, slippage of the outer ring and alignment of the hub face to the rubber and outer ring.

Assemble Camshafts

Refer to Fig. 10 and assemble the camshafts.

1. Install new end plugs in each camshaft.
2. Apply grease to the steel face of each thrust washer. Then place a thrust washer against each end of the two camshaft rear end bearings. Be sure the steel face of each thrust washer is next to the bearing.
3. Lubricate the rear camshaft bearing journal and slide a rear end bearing on each camshaft, with the bolting flange of the bearing toward the outer (camshaft gear) end of the shaft.
4. Install the camshaft gear on each shaft as outlined in Section 1.7.3.
5. Lubricate the camshaft intermediate bearing journals. Then place the two halves of each intermediate bearing on a camshaft journal and lock the halves together with two lock rings. Assemble each lock ring with the gap over the upper bearing and the

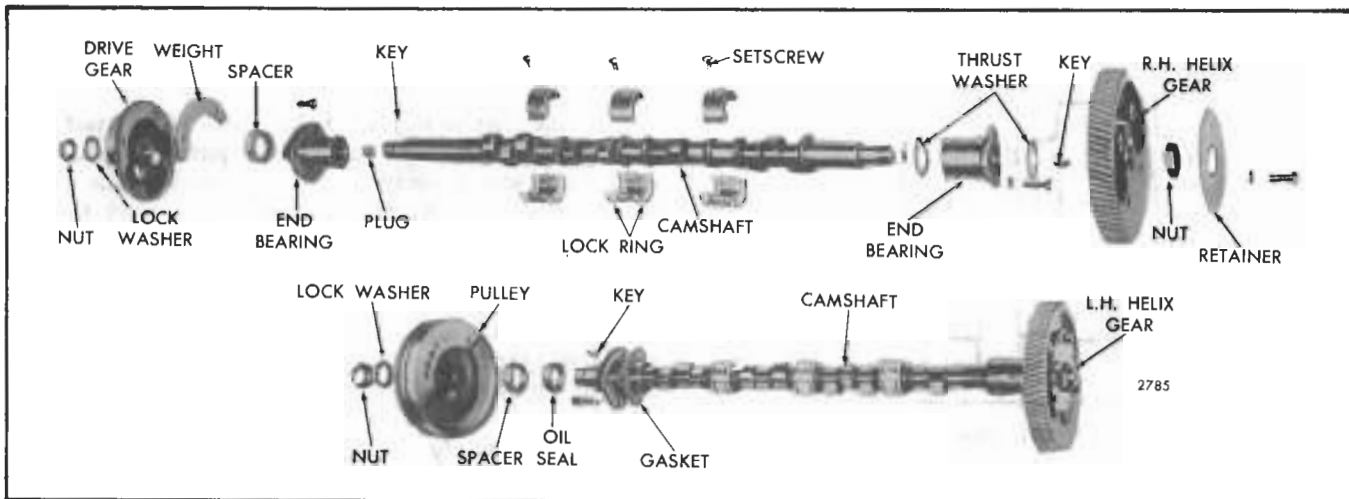


Fig. 10 - Camshaft Details and Relative Location of Parts

ends an equal distance above the split line of the bearing.

Install Camshafts

1. Insert the front end of the camshaft with the right-hand helix gear through the opening on the right bank side in the rear end plate until the first intermediate bearing enters the bore. Continue to work the camshaft and bearings into the cylinder block until the camshaft gear teeth are about to engage the teeth of the mating gear (refer to Fig. 5). Use care not to damage the cam lobes when installing the camshaft.

2. Align the timing marks on the mating gears as shown in Fig. 2 of Section 1.7.1 and slide the camshaft gear in place.

3. Secure the camshaft rear end bearing to the cylinder block with three lock washers and bolts. Rotate the camshaft gear as required to install the bolts through the hole in the web of the gear (Fig. 4). Tighten the bolts to 35-40 lb-ft (47-54 Nm) torque.

4. Turn the camshaft intermediate bearings until the holes in the bearings are in alignment with the tapped holes in the top of the cylinder block. Install the lock screws and tighten them to 15-20 lb-ft (20-27 Nm) torque.

5. Install the other camshaft in the same manner.

6. Attach a new gasket to the camshaft front end bearing that includes the oil seal. Lubricate the bearing journal and slide the bearing on the left bank camshaft, with the bolting flange of the bearing toward the outer end of the shaft. Secure the bearing to the cylinder block with three bolts and lock washers. Tighten the bolts to 35-40 lb-ft (47-54 Nm) torque.

7. Install the right bank camshaft front end bearing -- the one without the oil seal. Secure the bearing to the cylinder block with three bolts and lock washers and tighten the bolts to 35-40 lb-ft (47-54 Nm) torque.

8. Select the spacer with the polished outside diameter. Lubricate the spacer and slide it in place on the left bank camshaft.

9. Install the other spacer on the right bank camshaft.

10. Install a Woodruff key in each camshaft.

11. Install the pulley on the front end of the left bank camshaft and the water pump drive gear and external weight on the right bank camshaft.

12. Attach the rubber bushed camshaft vibration damper and hub to water pump drive gear with three bolts, plain washers and lockwasher, if used. Tighten bolts to 30-35 lb-ft (41-47 Nm) torque.

13. Slip an internal tooth lock washer over the front end of each camshaft. Then start the gear and pulley retaining nuts on the camshafts.

14. Wedge a clean rag between the camshaft gears to prevent their turning. Then tighten the nut on each end of both camshafts to 300-325 lb-ft (407-441 Nm) torque.

15. Install the camshaft gear nut retainers with bolts and lock washers. Tighten the bolts to 35-39 lb-ft (47-53 Nm) torque.

16. Check the clearance between the thrust washer and the thrust shoulder of each camshaft. The specified clearance is .004" to .012" with new parts, or a maximum of .018" with used parts.

17. Install the step-up gear, if used (Fig. 1,

Section 1.7.1), over the pilot on the right bank camshaft gear with five 3/8"-24 lock bolts. Tighten the bolts to 50-60 lb-ft (68-81 Nm) torque.

NOTE: Be sure the lip on the step-up gear is seated squarely in the pilot diameter ring groove in the camshaft gear before tightening the bolts.

18. Check the backlash between the mating gears. The specified backlash between new gears is .002" to .008", or a maximum of .010" between worn gears.

19. Install the parts, accessories or assemblies that were removed from the engine as outlined in their respective sections in this manual.

Install Camshaft (Flywheel Housing and Transmission in Place)

1. Install a Woodruff Key in the drive gear end of the camshaft and insert this end into position from the front end of the engine. Push the camshaft in until it slides into the rear end bearing. Use care not to damage the cam lobes when installing the camshaft.

2. Align the key in the shaft with the keyway in the drive gear and start the shaft into the gear. Tap the shaft into the gear with a soft (plastic or rawhide) hammer.

3. Remove the camshaft gear puller, spacers and adaptor plate. Finger tighten the gear retaining nut on the shaft.

4. Attach a new gasket to the front end bearing that includes an oil seal and install the front end bearing (and spacer or spacer and oil seal) with the bolts and lock washers. Tighten the bolts to 35-40 lb-ft (47-54 Nm) torque.

NOTE: Lubricate the spacer with the polished outside diameter and slide it in place on the left bank camshaft.

5. Install a Woodruff key in the front end of the camshaft and install either the pulley on the left bank camshaft or the water pump drive gear and external weight on the right bank camshaft.

6. Attach the camshaft vibration damper and hub, if used, to the water pump drive gear with three bolts, washers and lock washers. Tighten the bolts to 30-35 lb-ft (41-47 Nm) torque.

7. Slip an internal tooth lock washer over the front end of the camshaft and start the gear retaining nut on the camshaft. On certain 6V and 8V left hand rotation engines, install a 9/16"-18 lock bolt and washer in the right bank camshaft.

8. Block the crankshaft, between the crankshaft throw and the cylinder block to prevent rotation of the engine, and tighten the retaining nuts at both ends of the camshaft to 300-325 lb-ft (407-441 Nm) torque. Tighten the lock bolt to 180-190 lb-ft (244-258 Nm) torque.

9. Revolve the camshaft intermediate bearings to align the locking holes in the bearing with the tapped holes in the top of the cylinder block. Install the lock screws and tighten them to 15-20 lb-ft (20-27 Nm) torque.

10. Install the camshaft gear nut retainers with bolts and lock washers. Tighten the bolts to 35-39 lb-ft (47-53 Nm) torque (retainers not used with lock bolts).

11. Reinstall the parts, accessories and assemblies that were removed from the engine as outlined in their respective sections in this manual. Refill the cooling system.

CAMSHAFTS (16V ENGINES)

The contrarotating camshafts are located near the top of the cylinder block. There are two camshafts in each cylinder bank. Each camshaft actuates the valve and injector operating mechanism in one of the cylinder heads.

The end of each camshaft is supported by a three-piece bearing. In addition, intermediate two-piece bearings support the camshafts at uniform intervals throughout their length. These intermediate bearings are held around the camshaft bearing surfaces by lock rings, thus permitting them to be inserted into the block with the shaft. Each intermediate bearing and inner end bearing is secured in place by a lock screw sunk into a counterbore at the top of the block. A

3/8" x 1/2" split copper washer (Fig. 11) is used under the lock screws at the inner end bearings on current engines.

Lubrication is supplied under pressure, via angular drilled passages in the ends of the cylinder block, which lead from the main oil gallery, to each camshaft rear end bearing. From the rear end bearings, oil flows through the drilled camshafts to the intermediate bearings and the inner end bearings.

The current inner camshaft end bearings have one 1/2" chamfered hole and two 1/4" chamfered holes to ensure alignment with the oil supply hole to the overhead mechanism. At engine overhaul, be sure to

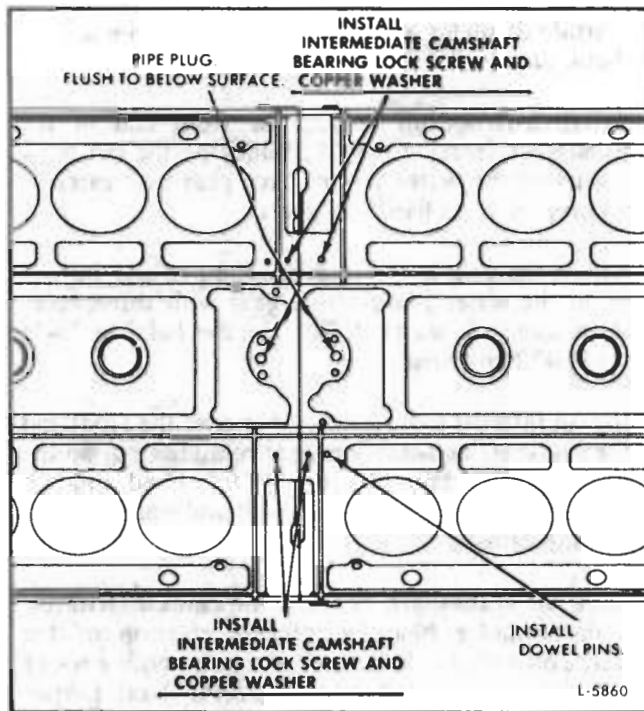


Fig. 11 - Location of Copper Washers

install the current bearings on early engines (prior to approximate engine serial No. 16VF-1260).

Remove Camshafts

The differences in the removal and installation procedures shown for the 6 and 8V engines are outlined below.

5. Remove the flywheel, flywheel housing, crankshaft pulley, vibration damper and the front cover as outlined in their respective sections of this manual.
6. The water pump was removed in Step 5 when the front cover was removed.
7. This step does not apply.
11. This step does not apply.
12. This step does not apply.
14. Remove camshaft end bearing to cylinder block bolts by inserting a socket wrench through hole in web

16V-92
CAMSHAFT IDENTIFICATION CHART

Part Number on Camshaft	Location of Camshaft In Cylinder Block (R.H. Engine)	Location of Camshaft In Cylinder Block (L.H. Engine)
5148795	Left Bank Rear	Right Bank Front
5148746	Right Bank Rear	Left Bank Front
5148747	Left Bank Front	Right Bank Rear
5148748	Right Bank Front	Left Bank Rear

TABLE 1

of camshaft gear. Rotate the camshaft gear as required to reveal the bearing bolts through the hole in the web of the gear (Fig. 4).

15. Withdraw camshaft, bearings and gear as an assembly from the cylinder block as shown in Fig. 5.
16. Remove the lock screw and a copper washer (if used) from the top of the cylinder block which secures each camshaft inner end bearing in place. Then slide the bearings out of the block.

Install Camshafts

Note the part number which is stamped on the camshaft, before installing the camshaft.

1. Install the camshaft inner end bearings in the cylinder block by reversing the removal procedure.

Insert the forward end of the camshaft through the hole in the end plate until the first intermediate bearing enters the bore in the cylinder block. Continue to work the camshaft and bearings into the cylinder block until the gear teeth are about to engage the teeth of the mating gear. Use care not to damage the cam lobes when installing the shaft.

5. Install the other camshafts as outlined in Steps 1 through 4.

Steps 6 through 12 do not apply.

14. Wedge a clean rag between the camshaft gears to prevent their rotation; then, using a 1-1/2" socket wrench, tighten the nut on the outer end of each camshaft to 300-325 lb-ft (407-441 Nm) torque. Tighten the lock bolt (used on certain engines) to 180-190 lb-ft (244-258 Nm) torque.

CAMSHAFT GEARS

The camshaft gears (Fig. 1), located at the flywheel end of the engine, mesh with each other and run at the same speed as the crankshaft. Either one of the gears may be driven by the crankshaft timing gear through an idler gear, depending upon engine rotation. Viewing the engine from the gear train end, the right-hand camshaft gear has right-hand helical teeth, and the left-hand camshaft gear has left-hand helical teeth. The idler gear mates with the right-hand camshaft gear on right-hand rotation engines, and the left-hand camshaft gear on left-hand rotation engines as shown in Figs. 2 and 3, Section 1.7.1.

Since the two camshaft gears must be in time with each other, timing marks are stamped on the rim of both gears. Also, since these two gears as a unit must be in time with the crankshaft, timing marks are located on the idler gear and the crankshaft gear.

Remove Camshaft Gears

1. Remove the camshafts from the engine as outlined in Section 1.7.2.
2. Place one of the camshaft and gear assemblies in an arbor press as shown in Fig. 3.
3. Place a wooden block under the lower end of the camshaft to protect the threads when the shaft is pressed from the gear.
4. Place a short one-inch diameter brass rod on the end of the camshaft and press the shaft out of the gear.

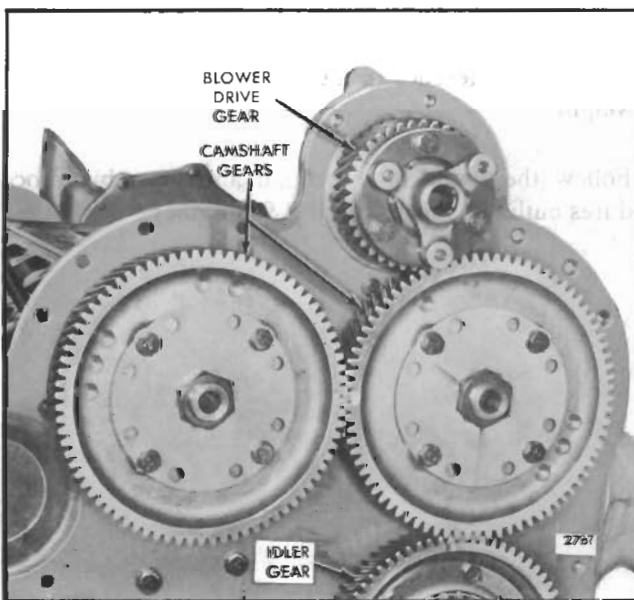


Fig. 1 - Camshaft Gears Mounted on Engine

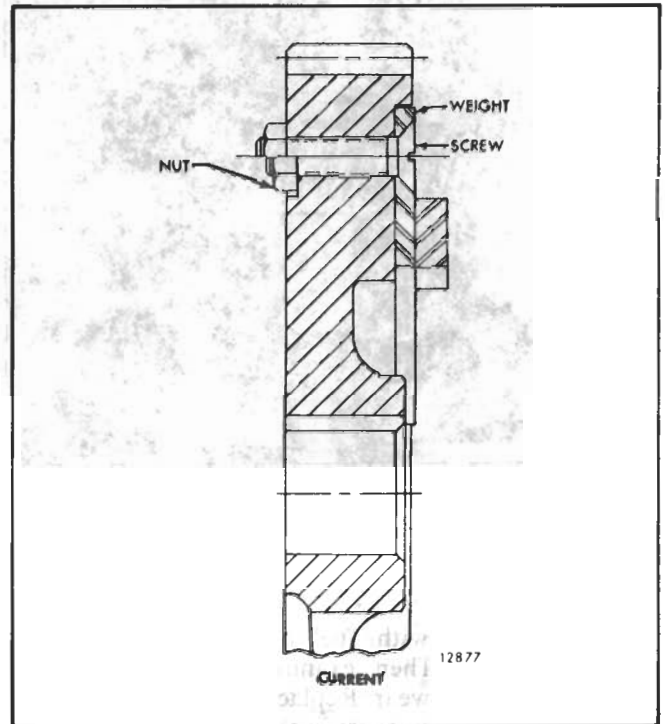


Fig. 2 - Camshaft Gear Weight

NOTE: If an arbor press is not available, tool J 1902-01 may be used to remove the gear from the camshaft.

5. If necessary, remove the Woodruff key from the camshaft.
6. Remove the gear from the other camshaft in a similar manner.

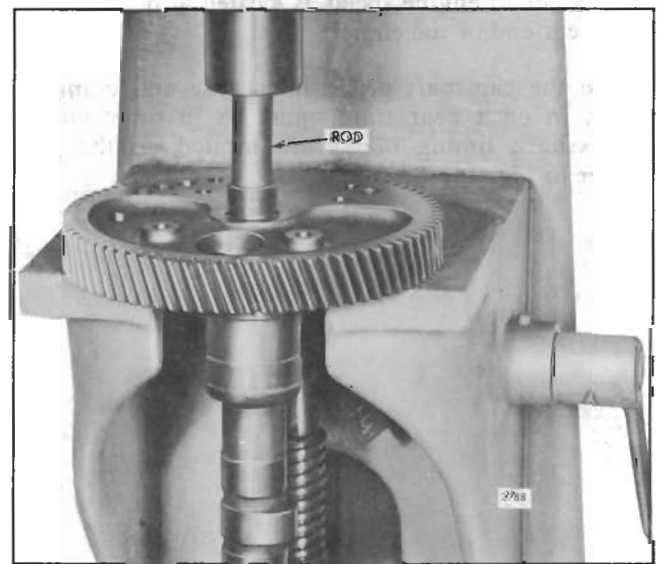


Fig. 3 - Removing Camshaft Gear

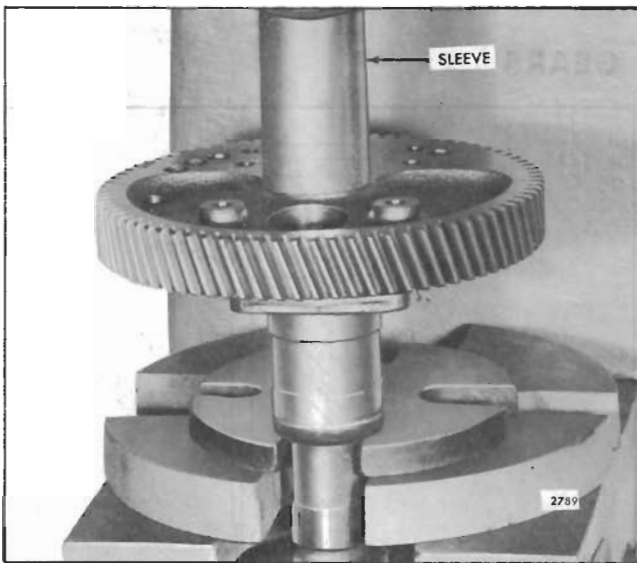


Fig. 4 - Installing Camshaft Gear

Inspection

Clean the gears with fuel oil and dry them with compressed air. Then examine the gear teeth for scoring, pitting or wear. Replace the gears if necessary. Also check the other gears in the gear train.

Install Camshaft Gears

1. If previously removed, install the camshaft rear end bearing and thrust washers on the camshaft as follows:

- a. Apply grease to the steel face of each thrust washer and place one washer at each end of the bearing. Be sure the steel face of each washer is next to the bearing.
- b. Lubricate the bearing journal and slide the bearing and thrust washers on the camshaft, with the bolting flange of the bearing toward the outer (gear) end of the shaft.

2. Install a Woodruff key in the camshaft.

3. Start the gear over the end of the camshaft, with the key in the shaft aligned with the keyway in the gear.

4. Then, with the camshaft supported in an arbor press, place a sleeve on top of the gear and press the gear tight against the shoulder on the shaft (Fig. 4).

NOTE: If an arbor press is not available, use tool J 1903 to install the gear on the camshaft.

5. Thread the camshaft gear retaining nut on the camshaft. Tighten the nut after the camshaft is installed in the engine.

6. Install the gear on the other camshaft in a similar manner.

7. Install the camshaft and gear assemblies in the engine as outlined in Section 1.7.2.

CAMSHAFT GEARS (16V Engines)

A pair of camshaft gears, which mesh with each other and rotate at engine speed, is located at both the front and rear end of the engine.

Since the camshaft gears, idler gear and crankshaft gear, in each gear train, must be in time with the crankshaft, timing marks are located on the gears. Refer to Fig. 3 in Section 1.7.1.

The camshaft gears used on 16V engines are not interchangeable with those used on 6V or 8V engines due to the difference in the size of the integral balance weights.

Follow the removal, inspection and assembly procedures outlined above for all V-92 engines.

IDLER GEAR AND BEARING ASSEMBLY

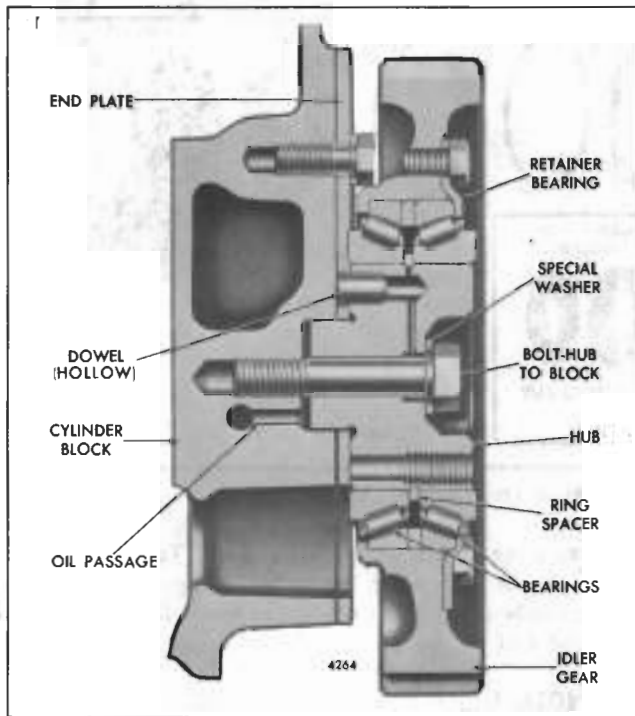


Fig. 1 - Idler Gear Mounting

The idler gear (Fig. 1) is mounted on a double-row, tapered roller bearing, which in turn is supported on a stationary hub. This hub is secured directly to the cylinder block by a bolt which passes through the hub and rear end plate. A dowel in the hub correctly positions the hub and prevents it from rotating.

The idler gear is pressure lubricated by oil from the cylinder block rear cross oil gallery. Oil enters an opening between the cylinder block and the idler gear hub and circulates around the idler gear hub bolt which has a smaller outside diameter than the inside diameter of the gear hub bolt hole. The oil is forced through a drilled passage in the gear hub to the roller bearing.

The idler gear bearing consists of two cups, two cones and an outer and an inner spacer ring.

The cones of the idler gear bearing are pressed onto the gear hub and, therefore, do not rotate. Spacer rings separate the bearing cups and cones. The bearing cups are a light press fit in the idler gear and are held against a flanged lip inside the idler gear on one side and by a bearing retainer secured with six lock bolts on the other side.

A left-hand helix gear is provided for right-hand rotation engines and a right-hand helix gear is provided for left-hand rotation engines (see Section 1.7.1).

An idler gear hole spacer (dummy hub) is used on the side opposite the idler gear (Fig. 8).

NOTE: On certain engines, the idler gear hole spacer is cast integral in the flywheel housing, on the side opposite the idler gear.

Remove Idler Gear, Hub and Bearing Assembly (Flywheel Housing Previously Removed)

1. Remove the idler gear hub to cylinder block bolt and special washer and withdraw the assembly from the cylinder block rear end plate (Fig. 1).

NOTE: Before removing the idler gear, check the idler gear, hub and bearing assembly for any perceptible wobble or shake when pressure is applied by firmly grasping the rim of the gear with both hands and rocking the gear in relation to the bearing. The bearing must be replaced if the gear wobbles or shakes. If the gear assembly is satisfactory, it is only necessary to check the pre-load before reinstallation.

2. If necessary, remove the idler gear hole spacer (dummy hub) in the same manner.

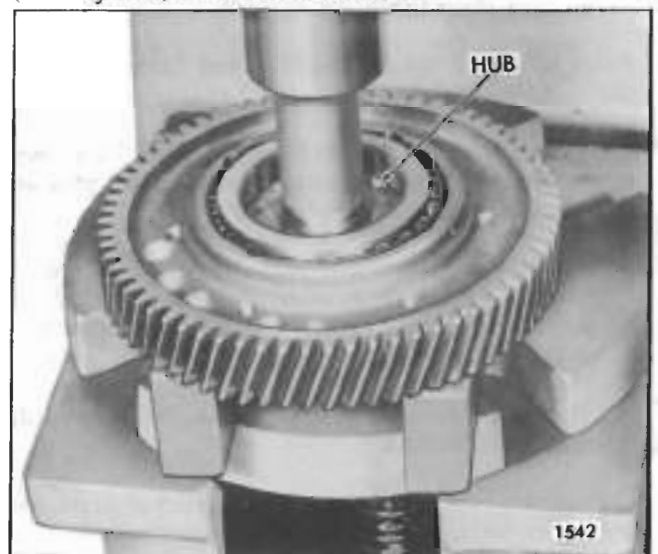


Fig. 2 - Pressing Hub Out of Idler Gear Bearing

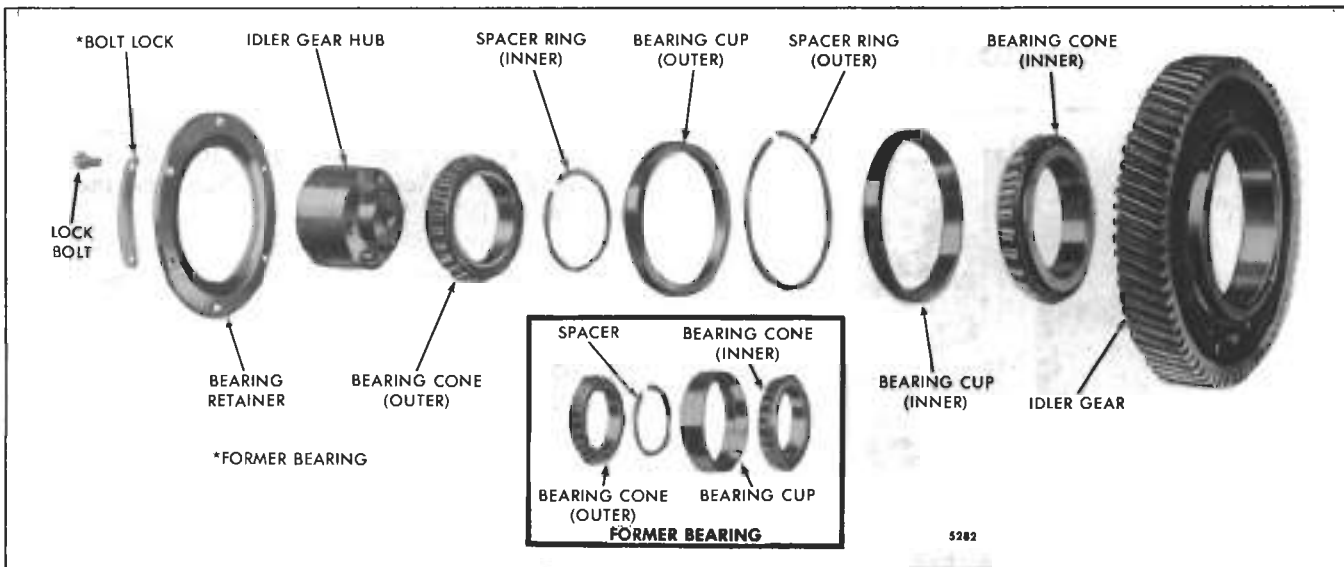


Fig. 3 - Idler Gear Details and Relative Location of Parts

Disassemble Idler Gear, Hub and Bearing Assembly

While removing or installing an idler gear bearing, the bearing **MUST** be rotated to avoid the possibility of damaging the bearing by brinelling the bearing cones. Brinelling refers to the marking of the cones by applying a heavy load through the rollers of a non-rotating bearing in such a way that the rollers leave impressions on the contact surfaces of the cones. These impressions may not be easily discerned during normal inspection. For example, a bearing may be brinelled if a load were applied to the inner cone of the bearing assembly in order to force the outer cone into the idler gear bore, thus transmitting the force through the bearing rollers. A brinelled bearing may have a very short life.

Refer to Fig. 3 for the location and identification of parts and disassemble the bearing as follows:

1. Remove the six bolts and three bolt locks, if used, which secure the bearing retainer to the idler gear and remove the bearing retainer.

NOTE: The component parts of the idler gear bearing are matched; therefore, **matchmark** the parts during disassembly to **ensure re-assembly** of the parts in their original positions.

2. Clean the idler gear assembly with fuel oil and dry it with compressed air.

3. Place the idler gear assembly in an arbor press, with the inner bearing cone supported on steel blocks as shown in Fig. 2. While rotating the idler gear assembly, press the hub out of the bearing. Remove the gear assembly from the arbor press and remove

the bearing cones and spacer rings. Tap the bearing cups from the **idler gear** by using a brass drift alternately at the **four notches** provided around the shoulder of the gear.

NOTE: Unless it is determined that the bearing assembly is to be replaced, the inner and outer bearing cups should not be removed from the idler gear. If the cups are loose in the gear bore, the bearing assembly and gear (if the bore is worn) should be replaced.

Inspection

Wash the idler gear, hub and bearing components thoroughly in clean fuel oil and dry them with compressed air.

Check the idler gear hub to ensure that no chips or foreign material is deposited in the holes so as to cause interference with the flywheel housing attaching bolts.

Inspect the bearing carefully for wear, pitting, scoring or flat spots on the rollers or cones. Replace the bearing if it is defective.

Examine the gear teeth for evidence of scoring, pitting and wear. If severely damaged or worn, replace the gear. Also inspect the other gears in the gear train.

Assemble Idler Gear, Hub and Bearing

Refer to Fig. 3 and assemble the bearing components in their *original positions* (refer to identification marks made during disassembly) as outlined below:

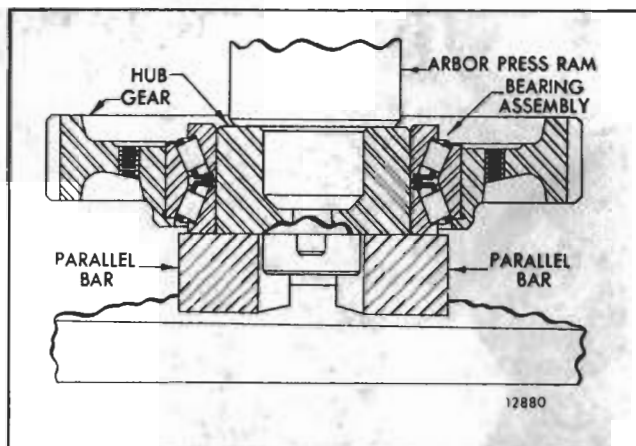


Fig. 4 - Pressing Hub into Idler Gear Bearing

NOTE: The idler gear bearing is a matched assembly. Do not mix the components with another bearing assembly.

1. Support the idler gear, shoulder down, on the bed of an arbor press. Start one of the bearing cups, numbered side up, squarely into the bore of the gear. Then press the bearing cup against the shoulder of the gear. Use a flat steel plate (pre-load test plate) between the ram of the press and the bearing cup.

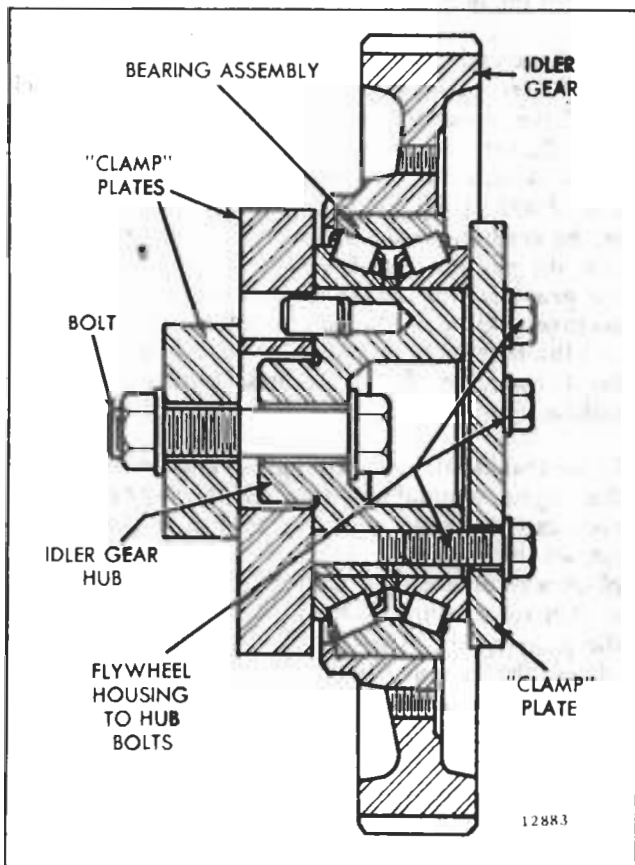


Fig. 5 - Fixture for Testing Bearing Pre-Load

2. Lay the outer spacer ring on the face of the bearing cup.

3. Start the other bearing cup, numbered side down, squarely into the bore of the gear. Then press the cup tight against the spacer ring. Use a flat steel plate (pre-load test plate) between the ram of the press and the bearing cup.

4. Press the inner bearing cone (numbered side up) on the idler gear hub, flush with the inner hub mounting face. Use the pre-load test plate (with the large center hole) between the ram of the press and the bearing.

5. Install the inner spacer ring on the idler gear hub so that the oil hole in the hub is 180° from the gap in the inner spacer ring.

6. Position the gear with both cups over the hub and the inner bearing cone.

7. Press the outer idler gear bearing cone over the hub while rotating the gear to seat the rollers properly between the cones. The bearing cones must be supported so as not to load the bearing rollers during this operation (Fig. 4).

8. Before installing the gear and bearing assembly, check the pre-load.

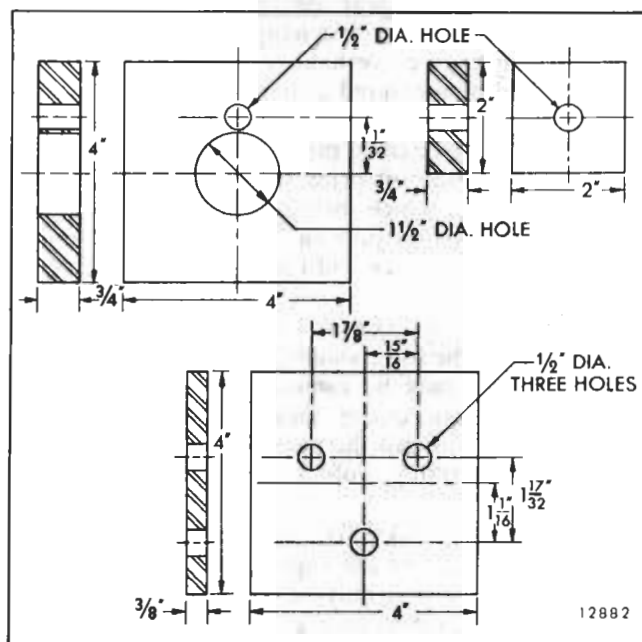


Fig. 6 - Plates for Bearing Test Fixture

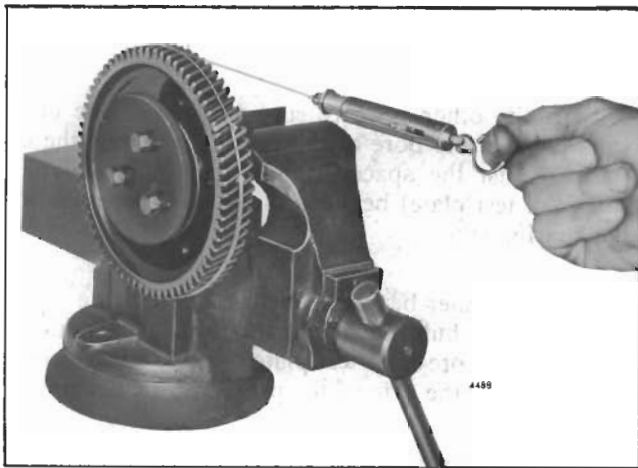


Fig. 7 - Checking Idler Gear Bearing Pre-Load

Check Idler Gear Bearing Pre-Load

The rollers in the bearing are loaded between the bearing cup and the bearing cones in accordance with design requirements to provide a rigid idler gear and bearing assembly. As the bearing cones are moved toward each other in a tapered roller bearing assembly, the rollers will be more tightly held between the cones and the cup. A slight pre-load is applied by means of a selected spacer ring between the bearing cones, to provide rigidity of the gear and bearing assembly when it is mounted on its hub. This method of pre-loading is measured, in terms of "pounds pull", by the effort required at the outer diameter of the gear to turn the bearing cup in relation to the bearing cones.

Any time an idler gear assembly has been removed from an engine for servicing or inspection, while performing engine overhaul or other repairs, the pre-load should be measured as part of the operation.

The idler gear bearing must be clean and lubricated with light engine oil prior to the pre-load test. Idler gear assemblies which include new bearings should be "worked in" by grasping the gear firmly by hand and rotating the gear back and forth several times.

After the idler gear, hub and bearing are assembled together, the bearing should be checked to ascertain that the gear may be rotated on its bearing without exceeding the maximum torque specifications, nor be so loose as to permit the gear to be moved in relation to the hub by tilting, wobbling or shaking the gear.

If the mating crankshaft and camshaft gears are not already mounted on the engine, the torque required to rotate the idler gear may be checked by mounting the idler gear in position on the engine, using a steel plate 4" square (pre-load test plate) against the hub and cone as outlined below.

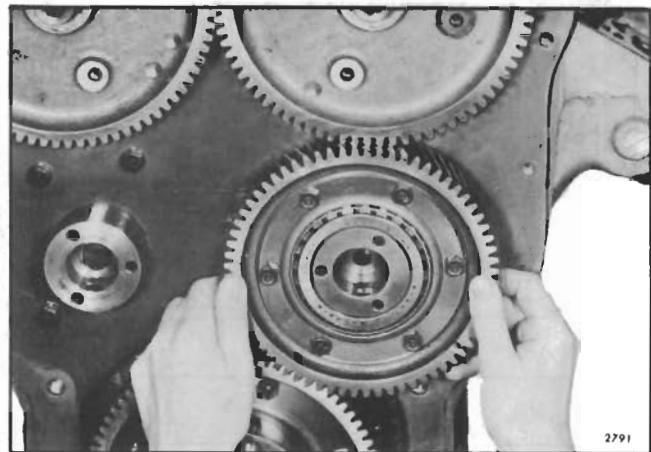


Fig. 8 - Installing Idler Gear, Hub and Bearing Assembly

1. Mount the idler gear assembly on the engine.
2. Install the center bolt and washer through the gear hub and thread it into the cylinder block. Tighten the bolt to 80-90 lb-ft (108-122 Nm) torque.
3. Place the steel plate (lower plate shown in Fig. 6) against the hub and bearing. Insert three 3/8"-16 bolts through the plate and thread them into the hub. Tighten the bolts to 25-40 lb-ft (34-54 Nm) torque.
4. Tie one end of a piece of lintless 1/8" cord around a 1/8" round piece of wood (or soft metal stock). Place the wood between two of the gear teeth and wrap the cord around the periphery of the gear several times. Attach the other end of the cord to a spring scale J 8129 (Fig. 7). Maintain a straight steady pull on the cord and scale, 90° to the axis of the hub, and note the pull, in pounds and ounces, required to start the gear rotating. Make several checks to obtain an average reading. If the pull is within 1/2 lb. minimum to 4 lbs. maximum, and does not fluctuate more than 2 lbs 11 oz., the idler gear and bearing assembly is satisfactory for use.

If the crankshaft and camshaft gears are mounted on the engine, a suitable fixture, which may be held in a vise, can be made as shown in Fig. 5. Three plates (shown in Fig. 6), a 1/2"-13 x 2-3/4" bolt and a plain washer are used with a 1/2"-13 nut and plain washer for mounting. One of the plates is used to take the place of the flywheel housing, and the other two plates, the cylinder block, "Engine-mounted" conditions are simulated by tightening the nut to 80-90 lb-ft (108-122 Nm) torque and tightening the three plate-to-hub attaching bolts to 25-40 lb-ft (34-54 Nm) torque.

Check the pre-load on the bearings as follows:

1. Attach two of the plates (two upper plates shown in Fig. 6) to the idler gear hub with the 1/2"-13 bolt,

washers and nut as shown in Fig. 5. Tighten the bolt to 80-90 lb-ft (108-122 Nm) torque.

2. Attach the third plate to the idler gear hub with three 3/8"-16 bolts. Tighten the bolts to 25-40 lb-ft (34-54 Nm) torque.

3. Clamp the idler gear assembly and fixture in a vise (Fig. 7).

4. Attach a cord to the idler gear and spring scale and check the bearing pre-load as outlined in Step 4 of the previous method.

If the scale reading is within the 1/2 to 4 lbs. specified, but fluctuates more than 2 lbs. 11 ounces, the idler gear and bearing assembly must NOT be installed on the engine. Fluctuations in scale reading may be caused by the cones not being concentric to each other, damaged cones or rollers, or dirt or foreign material within the bearings. In these cases, the bearing should be inspected for the cause of fluctuation in the scale readings and corrected or a new bearing installed. A scale reading which exceeds the specified maximum indicates binding of the bearing rollers, or rollers improperly installed. When the scale reading is less than the specified minimum, the bearing is more likely worn and the bearing should be replaced.

After the pre-load check is completed, remove the steel plates and install the bearing retainer.

Attach the bearing retainer to the idler gear with six 5/16"-24 x 1/2" lock bolts. Tighten the bolts to 24-29 lb-ft (33-39 Nm) torque.

NOTE: The current lock bolts are coated with a

locking compound. *Do not use standard bolts.* With use of the lock bolts, the former bolt locks are no longer required and will not be serviced.

Install Idler Gear, Hub and Bearing Assembly

1. Position the crankshaft gear and camshaft gear so the timing marks will align with those on the idler gear (refer to Section 1.7.1).

2. With these marks in alignment, start the idler gear into mesh with the crankshaft gear and camshaft gear, and simultaneously rotate the gear hub so the dowel in the hub registers with the hole in the end plate.

3. Roll the idler gear into position and align the hollow dowel with the oil hole in the end plate. Then gently tap the hub until it seats against the end plate.

4. After making sure the hub is tight against the end plate, secure the idler gear assembly with the 1/2"-13 bolt and special washer. Tighten the bolt to 80-90 lb-ft (108-122 Nm) torque.

5. If previously removed, install the idler gear hole spacer (dummy hub) (Fig. 8). Secure the spacer to the cylinder block end plate and cylinder block with a 1/2"-13 bolt and special washer. Tighten the bolt to 80-90 lb-ft (108-122 Nm) torque.

6. Lubricate the idler gear bearing and gear teeth liberally with clean engine oil.

7. Check the backlash between the mating gears. The backlash must be .002" to .008" between new gears and must not exceed .010" between worn gears.



CRANKSHAFT TIMING GEAR

6 and 8V Engines

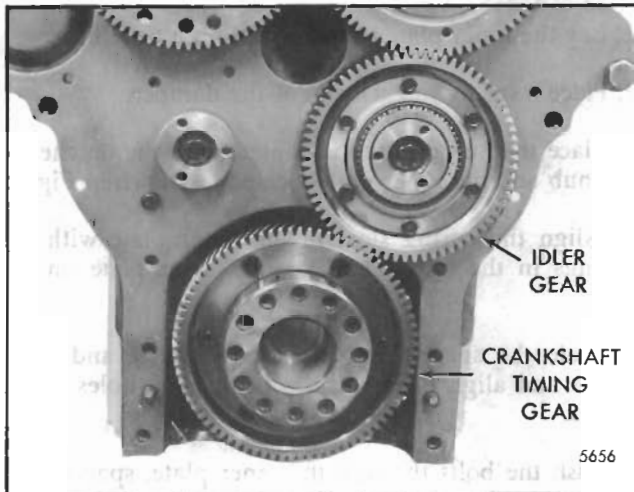


Fig. 1 - Crankshaft Timing Gear Mounting
(R.H. Rotation Engine Shown)

The crankshaft timing gear (Fig. 1) is bolted to the flange at the rear end of the crankshaft and drives the camshaft gears, as well as the blower drive gear, through an idler gear.

Since the two camshafts must be in time with the crankshaft, timing marks are located on the rim of the idler gear with corresponding timing marks stamped on the crankshaft gear and camshaft gears (refer to Section 1.7.1).

Remove Crankshaft Timing Gear (Flywheel Housing Removed)

The crankshaft gear is a press fit on the crankshaft. Remove the gear as follows:

1. Remove the crankshaft rear oil seal sleeve, if used. To remove the sleeve, peen the outside diameter of the sleeve until it stretches sufficiently so it can be slipped off of the crankshaft.

2. Before removing the crankshaft gear, align the timing marks of the gear train and note their location so the gear can be reinstalled in its original position.

3. Remove the six bolts which secure the gear to the crankshaft.

4. Provide a base for the puller screw by placing a steel plate across the cavity in the end of the crankshaft. Then remove the gear with a gear puller.

Inspection

Clean the gear with fuel oil and dry it with compressed air. Examine the gear teeth for evidence of scoring, pitting or wear. If severely damaged or worn, install a new gear. Also check the other gears in the gear train.

Install Crankshaft Timing Gear

1. Position the gear on the rear end of the crankshaft with the bolt holes in the gear aligned with the tapped holes in the crankshaft. One bolt hole is offset so the gear can be attached in only one position.

2. Align the proper timing mark on the crankshaft gear with the corresponding mark on the idler gear (refer to Section 1.7.1).

3. Start the six 3/8" -24 bolts through the gear and into the crankshaft. Then draw the gear tight against the shoulder on the crankshaft. Tighten the bolts to 35-39 lb-ft (47-53 Nm) torque.

4. Check the backlash with the mating gear. The backlash should be .002" to .008" with new gears or .010" maximum with used gears.

5. Install a new crankshaft rear oil seal sleeve, if required, as outlined in Section 1.3.2.

CRANKSHAFT TIMING GEAR**16V Engine**

Two crankshaft timing gears are located on the crankshaft. The rear crankshaft gear is attached to the flange at the rear of the crankshaft. The lubricating oil pump drive gear is attached to the rear crankshaft gear. The front crankshaft gear assembly (gear and bushing) is attached to a damper assembly which is mounted on the flange at the front of the crankshaft.

Remove Crankshaft Timing Gear (Flywheel Housing Removed)

1. Remove the crankshaft oil seal sleeve, if used. To remove the sleeve, peen the outside diameter of the sleeve until it stretches sufficiently so it can be slipped off of the crankshaft.

2. Before removing the crankshaft gear, align the timing marks of the gear train and note their location so the gear can be reinstalled in its original position.

3. Remove the six bolts which secure the rear timing gear to the crankshaft. Then remove the rear timing gear and oil pump drive gear as an assembly. If necessary, use a gear puller. Provide a base for the puller screw by placing a steel plate across the cavity in the end of the crankshaft.

4. Separate the crankshaft and oil pump drive gears by removing the six attaching bolts.

5. Remove the six bolts which secure the front crankshaft gear to the damper assembly. Then withdraw the gear from the crankshaft.

Inspection

Wash the gears with fuel oil and dry them with compressed air. Inspect the gear teeth and the bushing in the front crankshaft gear for wear, pitting or scoring. The clearance between the crankshaft and the bushing in the front crankshaft gear is .001" to .003" with new parts and should not exceed .005" with used parts. If the crankshaft gear or bushing is excessively worn, install a new gear and bushing assembly.

Clean and disassemble the damper. Then examine the damper springs for pitted or fractured coils. Replace defective springs.

Assemble Damper

1. Lay the inner plate (flat side up) on a bench.

2. Place a spring in each slot of the damper.

3. Place the hub on the inner plate with the notches in the hub and the inner plate located as shown in Fig. 2.

4. Align the spring slots in the outer plate with the springs in the hub. Then lay the outer plate on the hub.

5. Slide the spacers in between the inner and outer plates and align the spacers with the bolt holes in the plates.

6. Push the bolts through the inner plate, spacers and the outer plate. Then install the nuts on the bolts. Tighten the nuts to 30–35 lb–ft (41–47 Nm) torque.

Install Crankshaft Timing Gear

Refer to Section 1.7.1 for the position of the gear train timing marks and proceed as follows:

1. Lay the rear crankshaft timing gear (timing mark side down) on a bench. Place the oil pump drive gear (narrow side down) on the crankshaft gear. Install the oil pump drive gear bolts. Tighten the bolts to 15–19 lb–ft (20–26 Nm) torque.

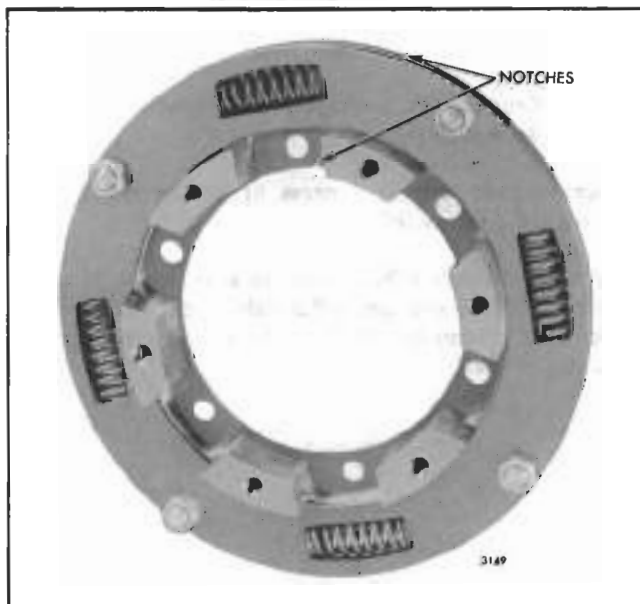


Fig. 2 - Proper Location of Notches in Damper Assembly

2. Slide the gear (oil pump gear first) on the rear end of the crankshaft. Align the bolt holes in the crankshaft gear with the tapped holes in the crankshaft. Then install and tighten the crankshaft gear bolts to 35-39 lb-ft (47-53 Nm) torque.
3. Align the proper timing-mark on the crankshaft gear with the corresponding mark on the idler gear.
4. Position the damper on the front end of the crankshaft, if it was removed. Install and tighten the damper-to-crankshaft bolts to 35-39 lb-ft (47-53 Nm) torque.
5. Align the timing marks and attach the front crankshaft gear to the damper with six bolts. Tighten the bolts to 15-19 lb-ft (20-26 Nm) torque.
6. Check the backlash of the gears. The backlash should be .002 " to .008 " with new gears or .010 " maximum with used gears.
7. Install a new crankshaft oil seal sleeve, if used, on the crankshaft as outlined in Section 1.3.2.



BLOWER DRIVE GEAR AND SUPPORT ASSEMBLY

For non-turbocharged engines, the blower drive gear (Fig. 1) is driven by a step-up gear (86 teeth) attached to the right cylinder bank camshaft gear. For turbocharged engines, the blower drive gear (Fig. 2) is driven directly by the right cylinder bank camshaft gear.

Two blower drive gear and support assemblies are used on the 16V engines. Both the front and the rear blower drive gears on the non-turbocharged 16V engines are the same and are driven by the step-up gear (86 teeth), attached to the front and rear camshaft gears. However, on the 16V turbocharged engine, each blower drive gear is driven directly by the camshaft gear. Therefore, the blower drive gear and support assembly on the front of the engine which incorporates a right-hand helix gear, and the blower drive gear and support assembly on the rear of the engine which incorporates a left-hand helix gear are not completely interchangeable.

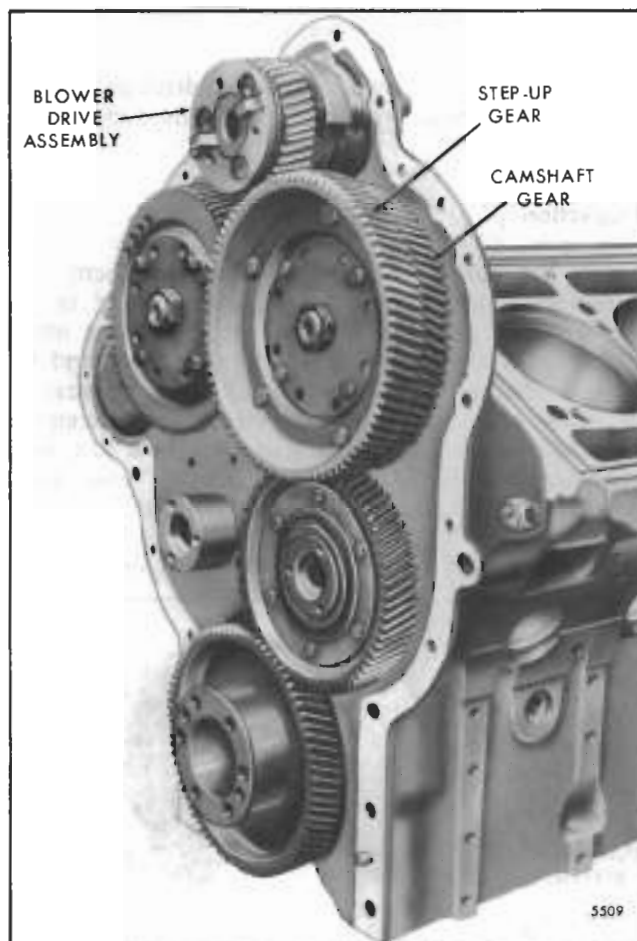


Fig. 1 - Blower Drive Gear Mounting (Non-Turbocharged Engine)

Since the camshaft gear runs at engine speed, the blower drive gear, which has about half as many teeth as the camshaft gear, runs approximately twice engine speed.

The blower to engine speed ratio for the 6, 8 and 16V non-turbocharged engines is 2.60:1 (blower drive gear has 33 teeth). The blower to engine speed ratio for the turbocharged engines is 2.05:1 (blower drive gear has 38 teeth). The blower to engine speed ratio for the 1976 California 6V-92TA engine was 1.95:1.

The blower drive gear is mounted on a support which is attached to the cylinder block rear end plate. The blower drive gear bearings are pressure lubricated through an external line from the blower rear end plate to the blower drive support.

Remove Blower Drive Gear and Support Assembly (Flywheel Housing Removed)

Removal of the flywheel housing is not necessary when removing the blower drive gear. However, an inspection of the gear train is advisable when any one of the gears require service. The procedures for removal of the flywheel and flywheel housing are found in Sections 1.4 and 1.5.

1. Remove the blower(s) and blower drive support lubrication tube as outlined in Section 3.4.
2. Remove the two blower drive support-to-cylinder block rear end plate attaching bolts with copper washers.

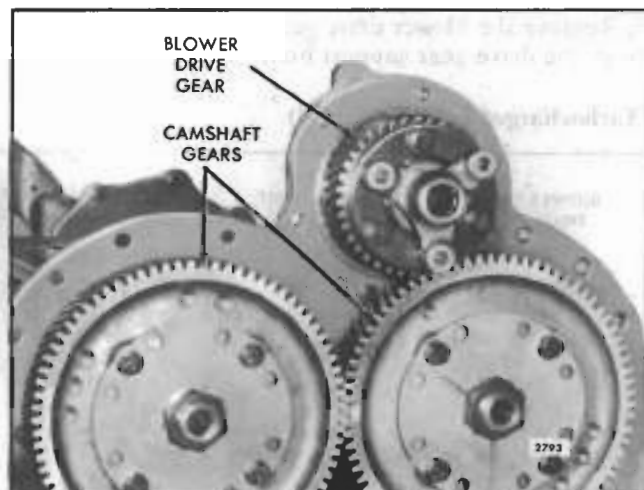


Fig. 2 - Blower Drive Gear Mounting (Turbocharged Engine)

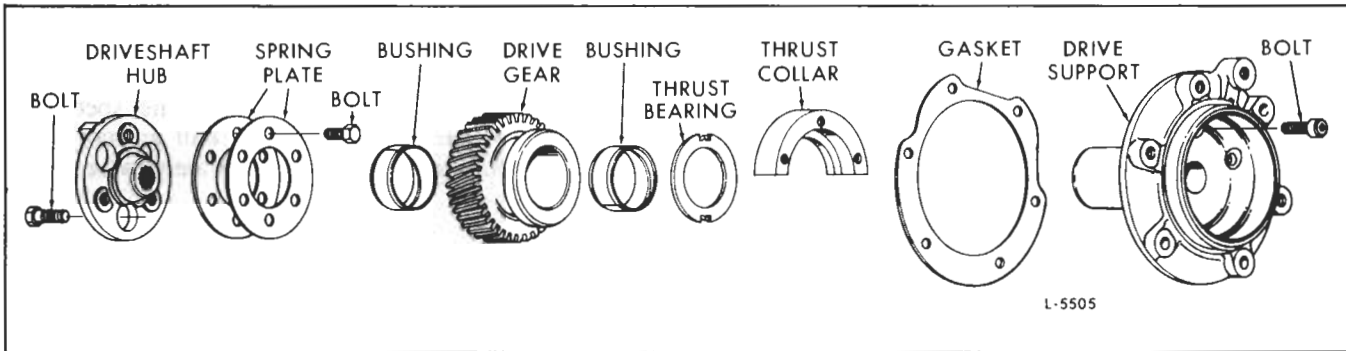


Fig. 3 - Blower Drive Gear and Support Assembly and Relative Location of Parts

3. Tap the blower drive support to loosen it, then carefully withdraw the support from the cylinder block rear end plate so the blower drive gear teeth will not be damaged. Discard the gasket.

Disassemble Blower Drive Gear and Support Assembly

Non-Turbocharged Engines (Fig. 3)

1. Secure the blower drive gear and support it in the soft jaws of a bench vise.
2. Remove the three lock bolts securing the drive gear hub and spring plates to the blower drive gear.
3. Remove the three lock bolts securing the spring plates to the drive gear hub, if required.
4. Remove three lock screws from the drive support and lift the thrust collar from the drive gear flange. The collar holds the drive gear on the support hub.
5. Remove the blower drive gear and the thrust washer from the drive gear support hub.

1. Secure the blower drive gear and support in the soft jaws of a bench vise.

2. Remove the three bolts securing the drive gear hub and spring plates to the blower drive gear. Then remove the spring plates and blower drive gear hub as an assembly from the gear. If necessary, the spring plates may be removed from the hub.

3. Straighten the lugs on the lock washer and remove the blower drive gear support nut.

4. Withdraw the lock washer, blower drive gear thrust washer, thrust bearings and gear from the support.

Inspection

Clean the parts with fuel oil and dry them with compressed air. Make sure the oil passage in the blower drive gear support is clean. Check the inside diameter of the blower drive gear bushings and the outside diameter of the support hub for wear or excessive heat. Also check the clearance between the bushings and the support hub. Refer to the wear specifications in Section 1.0. Install new parts whenever the clearance exceeds the limit.

Turbocharged Engines (Fig. 4)

If new bearings are installed, the outer end of each

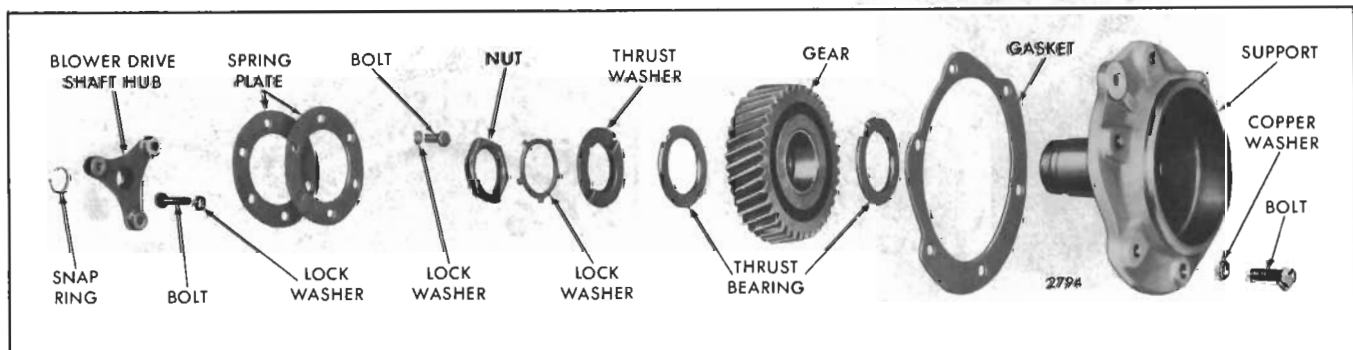


Fig. 4 - Blower Drive Gear and Support Assembly and Relative Location of Parts (Turbocharged Engine)

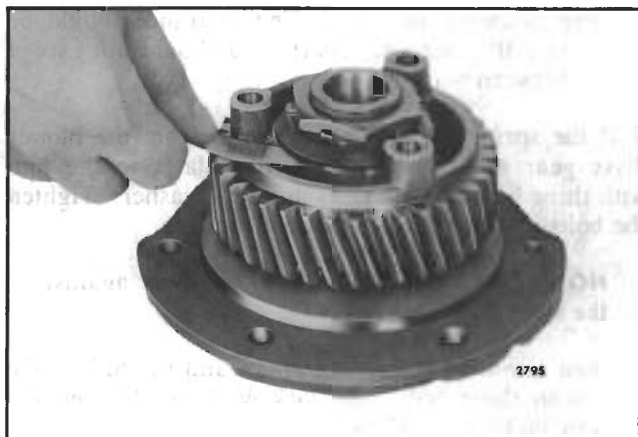


Fig. 5 - Checking Clearance Between Blower Drive Gear Support Thrust Washer and Thrust Bearing

bearing must be pressed in flush to .010" below the face of the gear. The bearings must be reamed to size (1.6260" to 1.6265" inside diameter) and to a finish of 20 microinches after installation. The bearing bores must also be square with the machined faces of the bolt bosses on the gear within .003" total indicator reading and concentric with the pitch diameter of the gear teeth.

The thrust washer retaining pin must extend approximately .080" above the threaded end of the hub.

Examine the blower drive support thrust washer and thrust bearing for scoring and wear. Replace them if necessary. Refer to Section 1.0 for the thickness of a new blower drive support thrust washer and thrust bearing.

Inspect the gear teeth for evidence of scoring, pitting, burning and wear. If necessary, install a new gear.

Inspect the spring plates for cracks or other damage. Replace the plates, if necessary.

Check the serrations in the blower drive shaft hub for wear or other damage. Replace the hub, if necessary.

NOTE: To reduce spline wear, the blower drive shafts, blower drive couplings and accessory drive hubs (Fig. 6) have been replaced by specially heat treated parts, effective with engines 6VF-21492 and 8VF-19187. It is recommended that all of the subject components be replaced (including the flexible plates) when any one or more of the parts require replacement on engines prior to the above serial numbers.

Assemble Blower Drive Gear and Support Assembly

Non-Turbocharged Engine (Fig. 3)

1. With the blower drive support clamped in the soft jaws of a bench vise, position the blower drive gear thrust washer on the drive support hub so that the tangs on the washer register with the holes in the support.

2. Lubricate the hub of the drive support, the bushings in the drive gear and the face of the thrust washer and thrust collar with clean engine oil.

3. Slide the drive gear on the support hub with the flange end of the gear against the thrust washer.

4. Install the thrust collar over the flange end of the drive gear and against the drive support. Secure the collar with three 5/16"-18 x 1-1/4" socket head lock bolts. Tighten the bolts to 16-21 lb-ft (22-28 Nm) torque.

NOTE: The thrust collar holds the drive gear on the support hub.

5. If the two spring plates were removed or replaced, secure them to the drive gear hub with the three special 3/8"-24 x 3/8" lock bolts. Tighten the bolts to 40-45 lb-ft (54-61 Nm) torque.

6. Secure the drive hub and spring plate assembly to the drive gear with three special 3/8"-24 x .94" lock

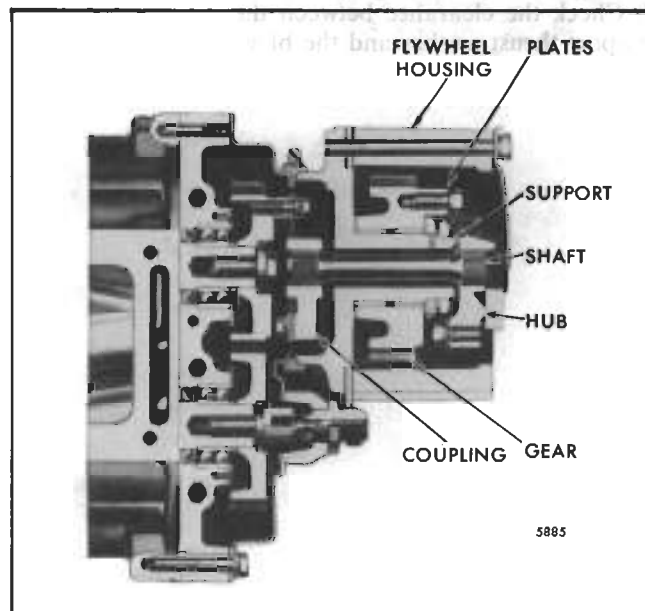


Fig. 6 - Blower Drive Components

bolts. Tighten the bolts to 35-39 lb-ft (47-53 Nm) torque.

7. Check the clearance between the blower drive gear support thrust washer and the blower drive gear thrust bearing (Fig. 5). The clearance should be .003 " to .017 " with new parts and should not exceed .019 " between worn parts.

Turbocharged Engines (Fig. 4)

1. With the blower drive support clamped in the soft jaws of a bench vise, position one of the blower drive thrust bearings on the support so that the tangs on the bearing register with the holes in the support.

2. Lubricate the hub of the support, the bushings in the gear, both thrust bearings and the blower drive gear support thrust washer with clean engine oil.

3. Slide the gear on the hub with the flat side of the gear down.

4. Install the second thrust bearing on the support with the tangs on the bearing facing up.

5. Position the blower drive support thrust washer on the support so that the slots in the thrust washer register with the tangs on the bearing.

6. Secure the gear on the support with a lock washer and nut. Tighten the nut to 50-60 lb-ft (68-81 Nm) torque and bend the lugs on the lock washer against the flats on the nut to secure the nut.

7. Check the clearance between the blower drive gear support thrust washer and the blower drive gear thrust

bearing as shown in Fig. 5. The clearance should be .005 " to .010 " with new parts and should not exceed .012 " between worn parts.

8. If the spring plates were removed from the blower drive gear hub, attach the spring plates to the hub with three bolts, flat washers and lock washers. Tighten the bolts to 35-39 lb-ft (47-53 Nm) torque.

NOTE: Do not install the lock washers against the steel plates.

9. Then assemble the spring plates and the hub to the gear with three bolts and lock washers. Tighten the bolts to 35-39 lb-ft (47-53 Nm) torque.

Install Blower Drive Gear and Support Assembly

1. Affix a new gasket to the blower drive gear support and attach the gear and support assembly to the cylinder block rear end plate with two bolts and copper washers. Tighten the bolts to 25-30 lb-ft (34-41 Nm) torque.

2. Check the gear backlash between the blower drive gear and the step-up gear attached to the camshaft (non-turbocharged engine) or the camshaft gear (turbocharged engine). To accurately check the backlash, all of the flywheel housing attaching bolts must be tightened to their proper torque as outlined in Section 1.5. Backlash should be .002 " to .008 ", and should not exceed .010 " with worn parts.

3. Remove the four flywheel housing-to-blower drive support bolts. Then install the blower(s) as outlined in Section 3.4.

ACCESSORY DRIVES

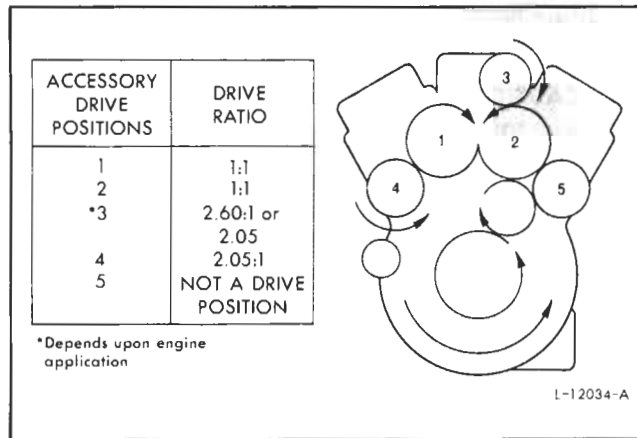


Fig. 1 - Accessory Drive Locations

Accessories such as an air compressor, hydraulic pump or battery-charging alternator may be direct-driven or belt-driven from various locations on the engine.

For the possible accessory drive location and rotation of the drive at a particular position, refer to Fig. 1.

At the front of the engine, the left-bank camshaft pulley (Fig. 2) and the crankshaft pulley may be used to drive accessories. On certain applications, an accessory drive pulley (Fig. 2), which mounts on a shaft attached to the water pump drive gear, provides a drive for a high mounted battery-charging alternator.

Accessories may also be driven by the blower drive gear, left-bank accessory drive gear or either camshaft gear at the rear of the engine.

FRONT ACCESSORY DRIVE

The front accessory drive (Fig. 2) consists of a short drive hub which is bolted to the water pump drive gear and a pulley keyed to the hub and secured with a bolt, lock washer and plain washer. An oil seal, pressed in the balance weight cover, prevents oil from seeping out where the shaft extends through the cover.

Remove Front Accessory Drive

- Loosen the alternator adjusting strap and alternator mounting bolts and remove the drive belt.
- Remove any accessories necessary to provide access to the accessory drive pulley.
- Remove the water pump (refer to Section 5.1).
- Remove the pulley retaining bolt, lock washer and plain washer. Then remove the pulley and the key.
- Remove the balance weight cover (refer to Section 1.7.8).
- Replace the oil seal in the balance weight cover, if necessary.
- Remove the three bolts and lock washers and withdraw the drive shaft from the water pump drive gear.

Install Front Accessory Drive

- Attach the accessory drive shaft to the water pump drive gear with three 5/16" -24 x 7/8" bolts and lock washers. Tighten the bolts to 15-19 lb-ft (20-26 Nm) torque.

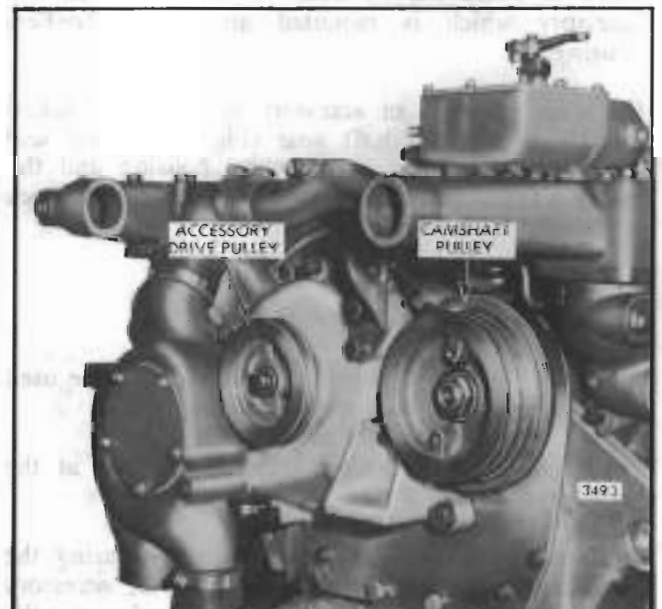


Fig. 2 - Front Mounted Accessory Drive Pulleys (6V and 16V)

2. Install the balance weight cover as outlined in Section 1.7.8.
3. Install the key in the shaft. Then install the pulley on the shaft and secure it in place with a 3/8"-16 x 7/8" bolt, lock washer and plain washer. Tighten the bolt to 25 lb-ft (34 Nm) torque.
4. Install the water pump as outlined in Section 5.1.
5. Install any accessories which were removed to provide access to the accessory drive pulley.

6. Install the drive belt and adjust the alternator to provide the proper tension on the belt. Then tighten the alternator adjusting strap bolt and alternator mounting bolts.

CAUTION: When installing or adjusting accessory drive belts, be sure the bolt at the accessory adjusting pivot point is properly tightened, as well as the bolt in the adjusting slot (refer to Section 15.1).

REAR ACCESSORY DRIVE (Camshaft Driven)

The camshaft driven accessory drive consists of a drive plate bolted to either one of the camshaft gears.

A direct-driven accessory is flange-mounted on the flywheel housing and is driven by a coupling which is splined to both the accessory drive plate and a drive hub on the accessory shaft (Fig. 3).

For a belt-driven accessory, a drive shaft is used in place of the drive coupling. One end of the drive shaft is splined to the drive plate and the other end is supported by a bearing in the accessory drive retainer which is attached to the flywheel housing (Fig. 4). A drive pulley, attached to the outer end of the drive shaft, is connected by belts to the pulley on the accessory which is mounted above the flywheel housing.

On some engines, an accessory drive hub is bolted directly to the camshaft gear (Fig. 5). An oil seal retainer is bolted to the flywheel housing and the pulley is keyed and secured to the hub with a bolt, lock washer and plain washer.

Remove Accessory Drive

Refer to Fig. 3 and remove the accessory drive used with a direct-drive accessory as follows:

1. Disconnect any external piping or hoses at the accessory.
2. Remove the bolts and lock washers securing the accessory to the flywheel housing. Pull the accessory straight out from the flywheel housing. Remove the gasket.
3. Remove the drive coupling.

4. Place a clean, lintless cloth in the flywheel housing opening (under the accessory drive plate) to prevent bolts from accidentally falling into the gear train. Then remove the four shoulder bolts (and lock washers, if used) and withdraw the accessory drive plate.

Refer to Figs. 4 and 5 and remove the accessory drive used with a belt-driven accessory as follows:

1. Loosen the accessory mounting or adjusting bolts and remove the drive belts.
2. Remove the nut which retains the drive pulley on the accessory drive shaft.
3. Use a suitable gear puller and withdraw the pulley from the shaft. Remove the key from the shaft.
4. Remove the bolts and washers and withdraw the accessory drive retainer assembly from the flywheel housing. Remove the gasket.
5. Place a clean, lintless cloth in the flywheel housing opening (under the accessory drive plate or drive hub) to prevent bolts from accidentally falling into the gear train. Then remove the four shoulder bolts and withdraw the accessory drive plate or drive hub.
6. Remove the accessory drive shaft from the retainer (Fig. 4).
7. Remove the snap ring and ball bearing from the accessory drive retainer (Fig. 4).

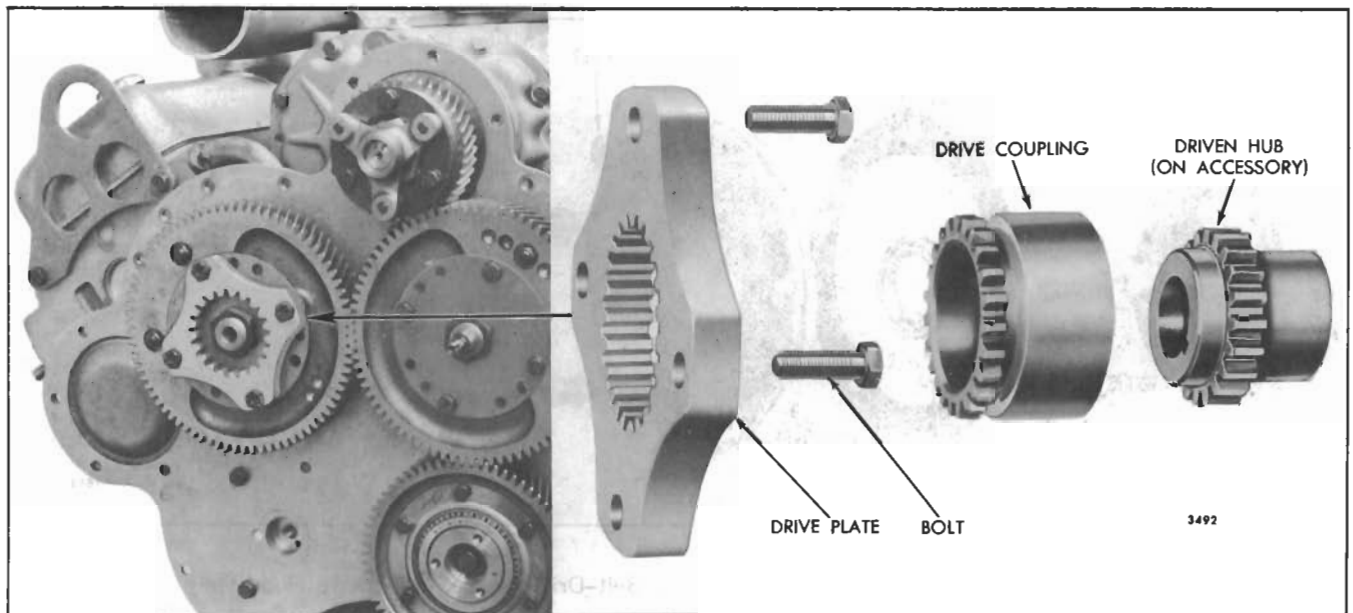


Fig. 3 - Components of Accessory Drive for Direct-Driven Accessories

Inspection

Clean all of the parts with fuel oil and dry them with compressed air.

Check the teeth on the drive plate and the drive coupling or drive shaft for wear. Replace any parts which are worn excessively.

Inspect the ball bearing used to support the accessory

drive shaft shown in Fig. 3. *Shielded bearings must not be washed; dirt may be washed in and the cleaning fluid could not be entirely removed from the bearing.* Wipe the outside of the bearing clean, then hold the inner race and revolve the outer race slowly by hand. If the bearing is worn or does not roll freely, replace the bearing.

Remove and discard the oil seal. **Also inspect** the oil seal contact surface of the drive shaft (Fig. 4) or drive

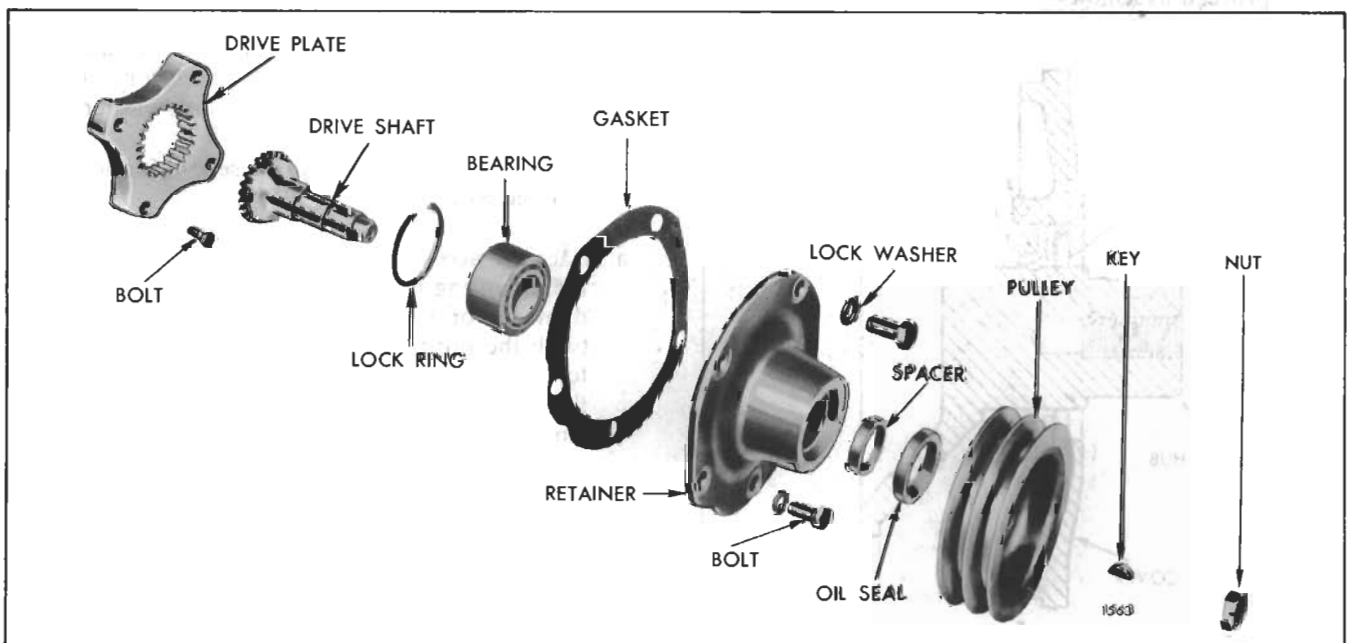


Fig. 4 - Components of Accessory Drive for Belt-Driven Accessory (Drive Plate Type)

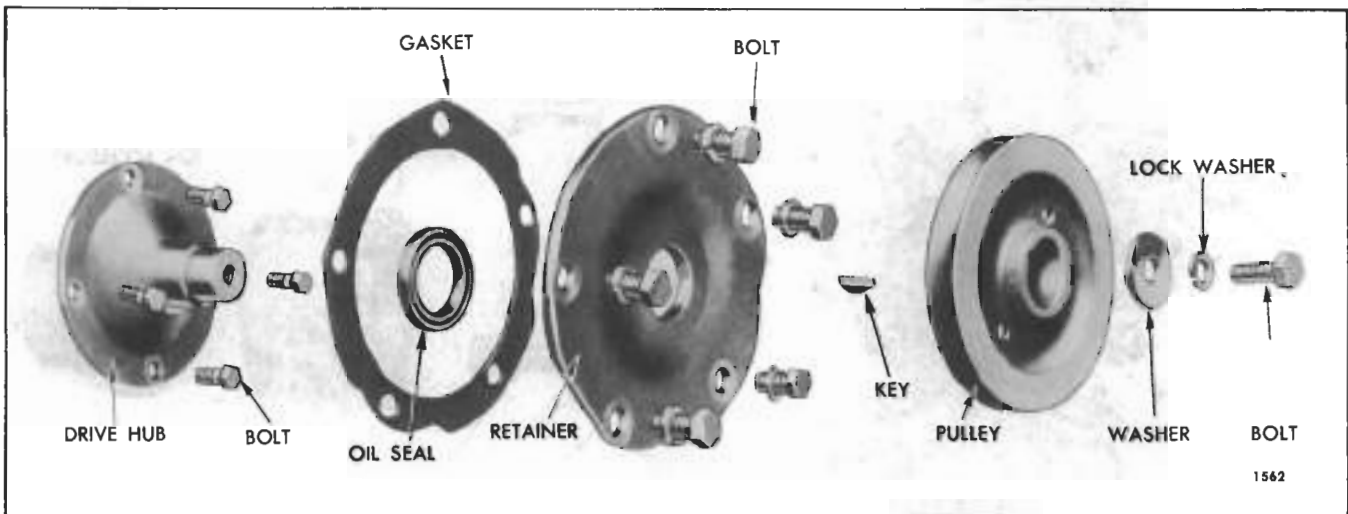


Fig. 5 - Components of Accessory Drive for Belt-Driven Accessory (Drive Hub Type)

hub (Fig. 5) for grooving. If the shaft is grooved and cannot be "cleaned-up", replace it.

If the drive hub (Fig. 5) is grooved to a point where the effectiveness of the oil seal is lost, a ring-type oil seal spacer is available which serves to reposition the seal and provide a new sealing surface for the lip of the oil seal (Fig. 6).

Install Accessory Drive

If an accessory drive plate is used, refer to Figs. 3 and 4 and proceed as follows:

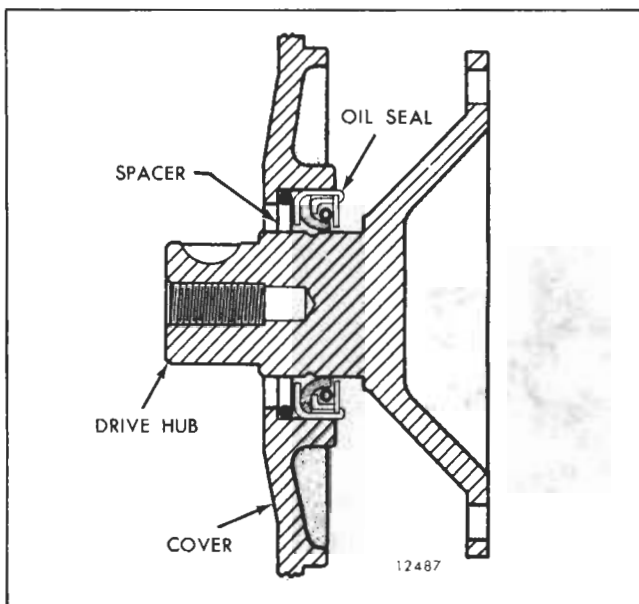


Fig. 6 - Location of Oil Seal Spacer

1. Align the bolt holes in the accessory drive plate with the tapped holes in the camshaft gear. Then secure the drive plate with the four special shoulder bolts. Tighten the bolts to 45-50 lb-ft (61-68 Nm) torque.

2. If a gear-driven accessory is used, install the drive coupling (Fig. 3) and proceed as follows:

- a. Affix a new gasket to the mounting flange on the accessory.
- b. Place the accessory in position against the flywheel housing and rotate it, if necessary, to align the teeth of the drive hub with those in the drive coupling. Then secure the accessory to the flywheel housing with bolts and lock washers.

3. If a belt-driven accessory is used, refer to Fig. 4 and proceed as follows:

- a. Place the accessory drive retainer on a bench, with the mounting flange side up. Lubricate the outside diameter of the bearing with oil. Press or tap it (with the protruding face of the inner race facing toward the retainer) straight in until it contacts the shoulder in the retainer. Then install the lock ring.
- b. Turn the retainer over and coat the bore with sealant. Then press a new oil seal into the bore of the retainer with the lip of the seal facing the bearing. Wipe any excess sealant from the retainer.
- c. Turn the retainer over again, bearing side up, lubricate the drive shaft and press it in the

bearing until the shoulder on the shaft contacts the bearing.

- d. Affix a new gasket to the mounting flange on the retainer. Then position the retainer and shaft assembly against the flywheel housing. Rotate the shaft slightly, if necessary, to permit the teeth of the shaft to mesh with the teeth in the accessory drive plate. Secure the retainer to the flywheel housing with five bolts and lock washers. Tighten the bolts to 30–35 lb–ft (41–47 Nm) torque.
- e. Install the key in the shaft. Then start the pulley on the shaft and tap it into place. Install the 3/4"-16 retaining nut. Tighten the nut to 120–140 lb–ft (163–190 Nm) torque.
- f. Slip the drive belts over the pulleys. Then position the accessory to provide the proper tension on the belts and secure it in place.

CAUTION: When installing or adjusting accessory drive belts, be sure the bolt at the accessory adjusting pivot point is properly tightened, as well as the bolt in the adjusting slot (refer to Section 15.1).

If an accessory drive hub is used, refer to Fig. 5 and proceed as follows:

1. Align the bolt holes in the drive hub with the tapped holes in the camshaft gear. Then secure the

drive hub to the gear with four shoulder bolts. Tighten the bolts to 45–50 lb–ft (61–68 Nm) torque.

2. Use a dial indicator to check the runout of the drive hub shaft. The runout must be within .010" total indicator reading.

3. Coat the retainer bore with sealant and press a new oil seal in place. The lip of the seal must face the engine when the retainer is installed.

4. Affix a new gasket to the mounting flange of the retainer. Then place the retainer against the flywheel housing and install the five attaching bolts and lock washers. Before tightening the bolts, insert tool J 21166 over the shaft and into the retainer bore to align the oil seal with the shaft. Tighten the retainer bolts to 30–35 lb–ft (41–47 Nm) torque and remove the oil seal aligning tool.

5. Install the key in the drive hub. Then start the pulley on the drive hub and tap it into place. Install the plain washer, lock washer and bolt. Tighten the bolt to 35 lb–ft (47 Nm) torque.

6. Slip the drive belt over the pulleys. Then position the accessory to provide the proper tension on the belt and secure it in place.

CAUTION: When installing or adjusting accessory drive belts, be sure the bolt at the accessory adjusting pivot point is properly tightened, as well as the bolt in the adjusting slot (refer to Section 15.1).

REAR ACCESSORY DRIVE (Blower Drive)

Whenever an accessory is to be driven by the blower drive gear, a hub with two lugs replaces the standard hub in the blower drive assembly (Fig. 7). An accessory drive assembly consisting of a pulley, shaft, double-row bearing, oil seal and oil seal spacer and a driven hub and a housing is bolted to the flywheel housing.

A slotted coupling, which engages the lugs on the two hubs, provides the connection between the accessory drive and the blower drive gear.

Remove Accessory Drive

1. Loosen the alternator adjusting strap and alternator mounting bolts. Remove the drive belts.
2. Remove the bolts and lock washers and carefully withdraw the accessory drive assembly and the drive coupling.

3. Remove the blower drive shaft retaining ring. Then thread a No. 10–32 screw in the tapped hole and withdraw the blower drive shaft. Remove the screw used to withdraw the shaft.

4. Remove the three bolts and lock washers and withdraw the drive hub and two drive plates.

5. Disassemble the accessory drive as follows:

- a. Remove the pulley retaining nut. Then remove the pulley and the retaining key. Remove the oil seal spacer.
- b. Press the shaft and hub from the bearing.
- c. Press the shaft from the hub and remove the key from the shaft.
- d. Remove the lock ring and bearing from the housing.

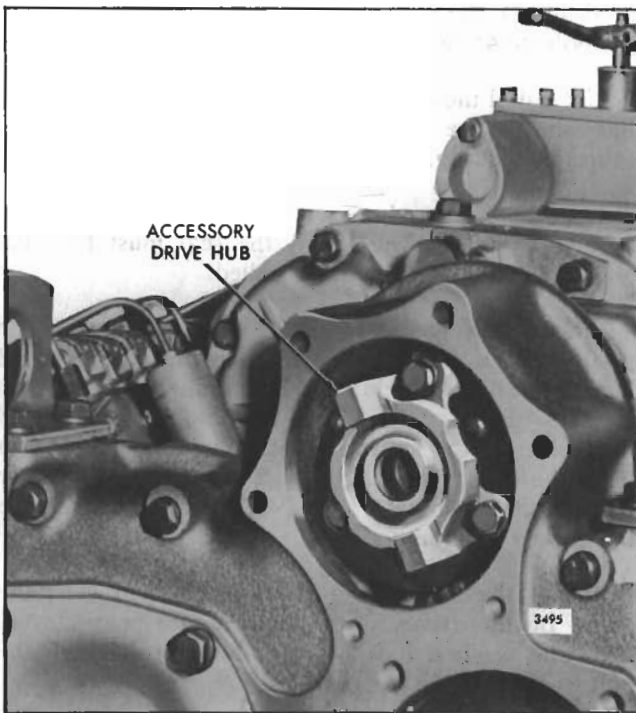


Fig. 7 - Accessory Drive Attached to Blower Drive Gear

- e. Press the oil seal from the housing with a suitable tool.

Inspection

Wash all of the parts, except the bearing, with fuel oil and dry them with compressed air. A shielded type bearing should not be washed because of the difficulty in draining out all of the solvent.

Inspect the bearing for rough spots by holding the inner race and revolving the outer race slowly by hand. Any indication of rough spots is sufficient cause for rejection of a bearing.

Replace excessively worn or damaged parts.

REAR LEFT BANK ACCESSORY DRIVE

When required, an accessory drive gear is provided in the left-bank accessory pad in the flywheel housing as shown in Fig. 8. The accessory drive assembly is similar to the blower drive gear and support assembly. The accessory drive gear, mounted on a support which is attached to the cylinder block rear end plate, is driven by the left-bank camshaft gear. The bushing-type bearings in the gear are pressure lubricated through an external oil line.

Assemble Accessory Drive

1. Install a key in the hub end of the shaft. Lubricate the shaft and press the hub tight against the shoulder on the shaft.
2. Install a new oil seal in the housing.
3. Install the bearing in the housing. Install the lock ring.
4. Use a sleeve to support the inner race of the bearing, lubricate the shaft and press the hub and shaft assembly in the bearing until the shoulder on the shaft contacts the inner race of the bearing.
5. Install a key in the pulley end of the shaft. Lubricate the shaft and press the pulley on the shaft until it contacts the inner race of the oil seal spacer.
6. Install the 3/4" -16 pulley retaining nut and tighten it to 120-140 lb-ft (163-190 Nm) torque.

Install Accessory Drive

1. Install the drive hub and the two drive plates on the blower drive gear.
2. Install the blower drive shaft and secure it in place with the snap ring.
3. Place a new gasket on the mounting flange of the accessory drive housing.
4. Place the slotted drive coupling on the hub of the accessory drive assembly. Then align the slots in the coupling with the lugs on the drive hub which is attached to the blower drive gear and carefully position the accessory drive against the flywheel housing. Secure the accessory drive assembly to the flywheel housing with bolts and lock washers.
5. Place the drive belts over the pulleys and adjust the tension on the belts. Then tighten the accessory mounting bolts.

Remove Accessory Drive

1. Remove the bolts and lock washers securing the hydraulic pump to the flywheel housing. Then withdraw the pump and gasket.
2. Remove the pump drive coupling.
3. Remove the three bolts and lock washers securing

the accessory drive hub to the accessory drive gear. Then withdraw the drive hub.

Disassemble Accessory Drive

If further disassembly is required, the flywheel housing, gear train, accessory drive lubrication tube and cylinder block rear end plate must first be removed. Then proceed as follows:

1. Remove the two bolts and copper washers securing the accessory drive support assembly to the rear end plate. Then withdraw the support assembly and remove the gasket.
2. Clamp the support assembly in a vise equipped with soft jaws.
3. Straighten the lugs on the lock washer and remove the gear retaining nut. Withdraw the lock washer, thrust washer, thrust bearings and accessory drive gear from the support.

Inspection

Clean the parts with fuel oil and dry them with compressed air. Make sure the oil passage in the gear support is clean.

Replace the thrust bearings and thrust washer if they are worn excessively or scored.

Check the inside diameter of the accessory drive gear

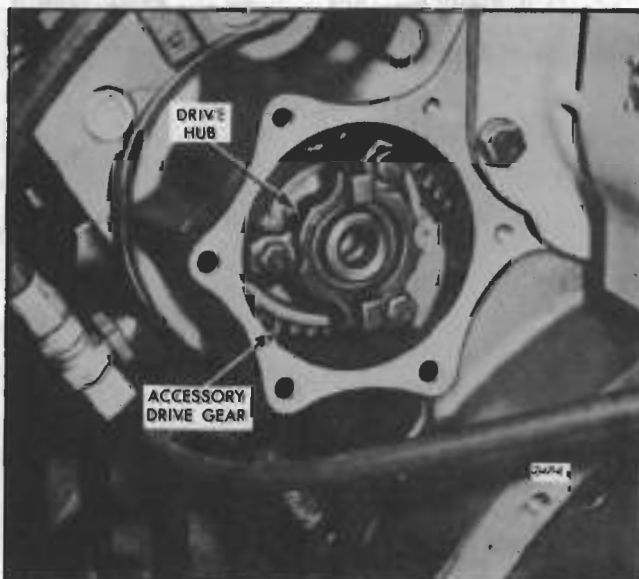


Fig. 8 - Rear Left Bank Accessory Drive Mounting

bearings (bushing type) and the outside diameter of the hub on the gear support. The clearance between the bearings and the support hub is .001" to .0025" with new parts. Replace the parts when the clearance exceeds .005" on used parts.

If new bearings are installed, the outer end of each bearing must be pressed in flush to .010" below the face of the gear. The bearings must be reamed to size (1.6260" to 1.6265" inside diameter) and to a finish of 20 microinches after installation. The bearing bores must also be square with the machined faces of the bolt bosses on the gear within .003" total indicator reading and concentric with the outside diameter of the gear.

The thrust washer retaining pin must extend approximately .080" above the threaded end of the support hub.

Examine the accessory drive gear teeth for scoring, pitting or wear. If necessary, install a new gear assembly. A service replacement gear includes the bearings.

Inspect the drive and driven hubs and the drive coupling for wear. Replace severely worn parts.

Assemble Accessory Drive

Refer to Fig. 9 for the relative location of the parts and assemble them as follows:

1. Clamp the accessory drive support in a vise equipped with soft jaws. Then install one of the thrust bearings so the tangs on the bearing register with the holes in the support.
2. Lubricate the hub of the support, the bearings in the gear, both thrust bearings and the thrust washer with clean engine oil.
3. Slide the gear on the hub, with the flat side of the gear toward the support.
4. Install the second thrust bearing on the support, with the tangs on the bearing facing away from the gear.
5. Install the thrust washer so the slots in the washer register with the tangs on the thrust bearing and the pin in the support hub registers with the slot in the bore of the washer.
6. Secure the gear, thrust bearings and thrust washer with a lock washer and nut. Tighten the nut to 50-60 lb-ft (68-81 Nm) torque and bend the lugs on the lock washer against the flats on the nut.

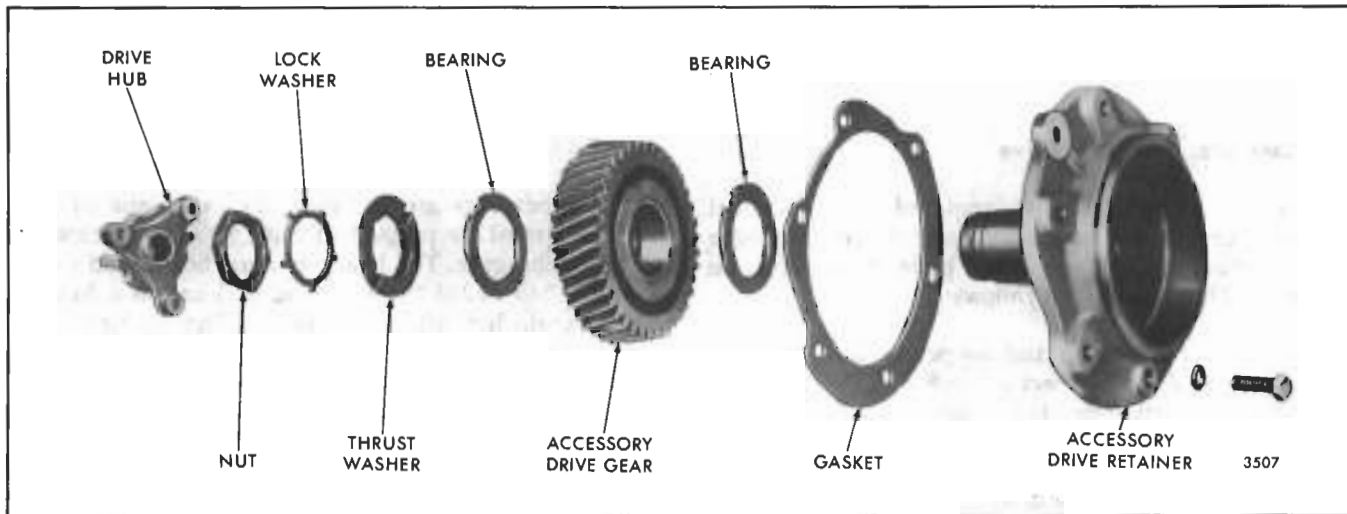


Fig. 9 - Accessory Drive Details and Relative Location of Parts

7. Check the clearance between the thrust washer and the thrust bearing with a feeler gage. This clearance must not exceed .012" with used parts. With new parts, the specified clearance is .005" to .010".

8. Affix a new gasket to the accessory drive support. Then attach the accessory drive gear and support assembly to the cylinder block rear end plate with two bolts and copper washers. Tighten the bolts to 25-30 lb-ft (34-41 Nm) torque.

9. Install the rear end plate and gear train.

10. Check the backlash between the accessory drive gear and the camshaft gear. The backlash must be between .002" and .008" with new gears and must not exceed .010" with worn gears.

11. Install the flywheel housing.

12. Install the accessory drive lubrication tube.

Install Accessory Drive

1. Position the drive hub on the accessory drive gear and secure it with three bolts and lock washers.

2. Affix a new gasket to the mounting flange on the hydraulic pump.

3. Place the slotted drive coupling on the pump driven hub. Align the slots in the coupling with the lugs on the drive hub and carefully position the pump against the flywheel housing. Secure the pump to the flywheel housing with bolts and lock washers.

BALANCE WEIGHT COVER

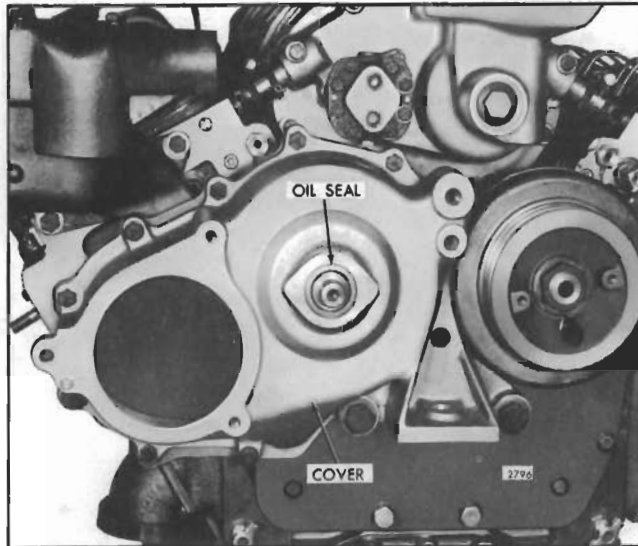


Fig. 1 - Balance Weight Cover Mounting

The balance weight cover (Fig. 1) encloses the combination balance weight and water pump drive gear on the front end of the right cylinder bank camshaft. This cover also serves as a support for the water pump.

The balance weight cover requires no servicing. However, when an engine is being completely reconditioned, or the right bank camshaft, camshaft bearings or water pump drive gear need replacing, the balance weight cover must be removed.

Remove Cover

1. Drain the cooling system.
2. Remove the water pump and any other parts required to permit removal of the balance weight cover.

3. Remove the bolts, washers and lock washers which secure the balance weight cover to the front end plate and the cylinder block.

4. Since the cover is doweled to the end plate, it will be necessary to tap the ends of the cover with a soft hammer to loosen it.

5. Remove all traces of the old gasket material from the cover and the end plate.

Install Cover

1. Affix a new gasket to the balance weight cover.
2. An accessory drive shaft oil seal is pressed into the balance weight cover on some engines (Fig. 1). If necessary, replace the oil seal as follows:
 - a. Drive the old oil seal out of the cover.
 - b. The new oil seal is plastic coated on the outside diameter for sealing purposes. Do not remove this coating. Position the seal with the sealing lip pointing toward the inner side of the cover.
 - c. Drive the seal in with installer J 9791 until it is flush with the outer surface of the cover.
 - d. Coat the lip of the seal with grease.
3. Install the balance weight cover on the engine and secure it with bolts, nuts, lock washers and plain washers. Tighten the 3/8" -16 bolts to 30-35 lb-ft (41-47Nm) torque, 3/8" -24 bolts and nuts to 35-39 lb-ft (47-53 Nm) torque, 1/2" -13 bolts to 71-75 lb-ft (96-102 Nm) torque and the 5/8" -11 bolts to 137-147 lb-ft (186-200 Nm) torque.
4. Install the water pump and any other parts that were removed.
5. Fill the cooling system.

1950
1951
1952
1953
1954
1955
1956



107

SHOP NOTES - TROUBLE SHOOTING - SPECIFICATIONS - SERVICE TOOLS

SHOP NOTES

TEFLON WRAPPED PIPE PLUG

Pipe plugs with a baked teflon coating are available for service. However, pipe plugs can be hand wrapped satisfactorily with teflon tape to provide a better seal and facilitate plug removal. When a teflon wrapped plug is installed, it is extremely important that the specified torque not be exceeded.

Hand wrap a pipe plug with teflon tape as follows:

1. Be sure the pipe plug is thoroughly clean and dry prior to applying the teflon tape. All dirt, grease, oil and scale must be removed.

2. Start the tape one or two threads from the small or leading edge of the plug, joining the tape together with an overlap of approximately 1/8".

3. Wrap the tape tightly in the same direction as you would turn a nut. The tape must conform to the configuration of the threads (be pressed into the minor diameter of the threads) without cutting or ripping the tape.

4. Hand tighten and hand torque the pipe plug and do not exceed the specified torque. Do not use power tools.

CHECKING BEARING CLEARANCES

A strip of soft plastic squeezed between the crankshaft journal and the connecting rod bearing or main bearing may be used to measure the bearing clearances.

The strip is a specially molded plastic "wire" manufactured commercially and is available in three sizes and colors. Type PG-1 (green) has a clearance range of .001" to .003", type PR-1 (red) has a range of .002" to .006" and type PB-1 (blue) has a range of .004" to .009".

The plastic strip may be used for checking the bearing clearances as follows:

1. Remove the bearing cap and wipe the oil from the bearing shell and the crankshaft journal.

NOTE: When checking the main bearing clearances with the engine in a position where the main bearing caps are supporting the weight of the crankshaft and the flywheel, an erroneous reading, due to the weight of the crankshaft and flywheel, can be eliminated by supporting the weight of the crankshaft with a jack under the counterweight adjoining the bearing being checked.

2. Place a piece of the plastic strip the full width of the bearing shell, about 1/4" off center (Fig. 1).

3. Rotate the crankshaft about 30° from bottom dead

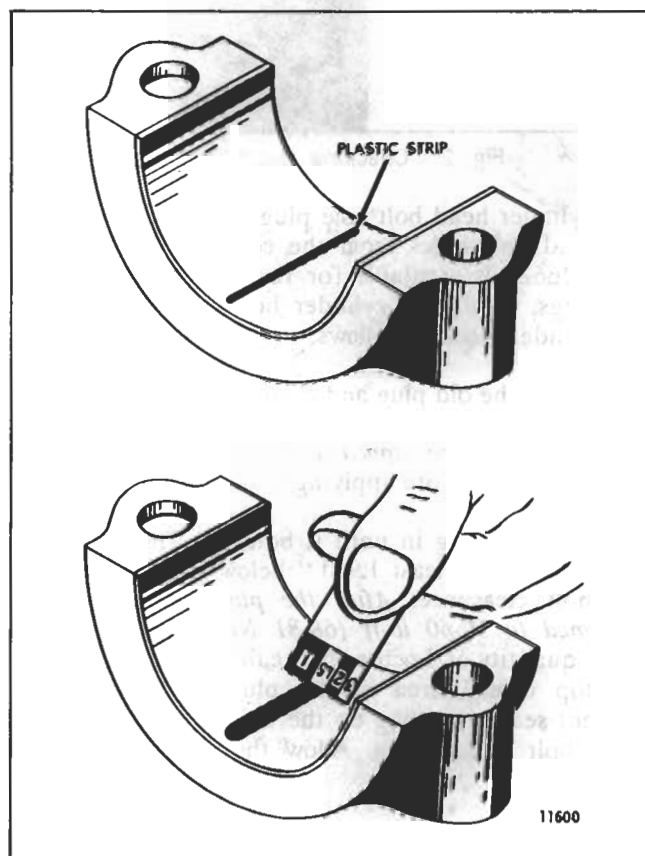


Fig. 1 - Using Plastic Strip to Measure Bearing-to-Crankshaft Clearance

center and reinstall the bearing cap. Tighten the bolts to the specified torque.

4. Remove the bearing cap. The flattened plastic strip will be found adhering to either the bearing shell or the crankshaft.

5. Compare the width of the flattened plastic strip at

its widest point with the graduations on the envelope (Fig. 1). The number within the graduation on the envelope indicates the bearing clearance in thousandths of an inch. Taper may be indicated when one end of the flattened plastic strip is wider than the other. Measure each end of the plastic; the difference between the readings is the approximate amount of taper.

REPLACING CYLINDER HEAD BOLT HOLE PLUG

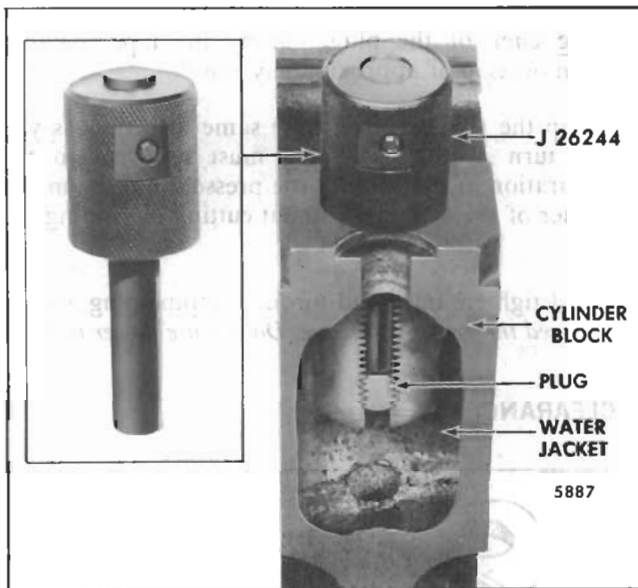


Fig. 2 - Checking Depth of Plug

The cylinder head bolt hole plugs are designed to seal the head bolt holes from the coolant passages. Tool Kit J 26620 is available for removing and installing the plugs. Replace a cylinder head bolt hole plug in the cylinder block as follows:

1. Remove the old plug and clean the threads of all old sealant by running bottom tap J 25384 down the hole (*do not deepen the tapped hole*). The threads must be clean and dry before applying sealant.

2. Screw the plug in until it bottoms. The top of the plug must be at least 1.960" below the block surface for bolt clearance. After the plug is installed and tightened to 50-60 lb-ft (68-81 Nm) torque, apply a small quantity of Loctite 290 sealant, or equivalent, to the top thread area of the plug. Exercise care to prevent sealant getting on the threads of the cylinder head bolt thread area. Allow the sealant to set for

twelve hours and pressure check for five minutes at 40 psi (276 kPa).

NOTE: Some commonly used pipe sealants have been found to be ineffective for this application.

3. Place depth gage J 26244 (Fig. 2) in the cylinder head bolt hole and loosen the set screw. If the depth gage is flush with or below the knurled gage holder, the plug is installed and sealed at the proper depth.

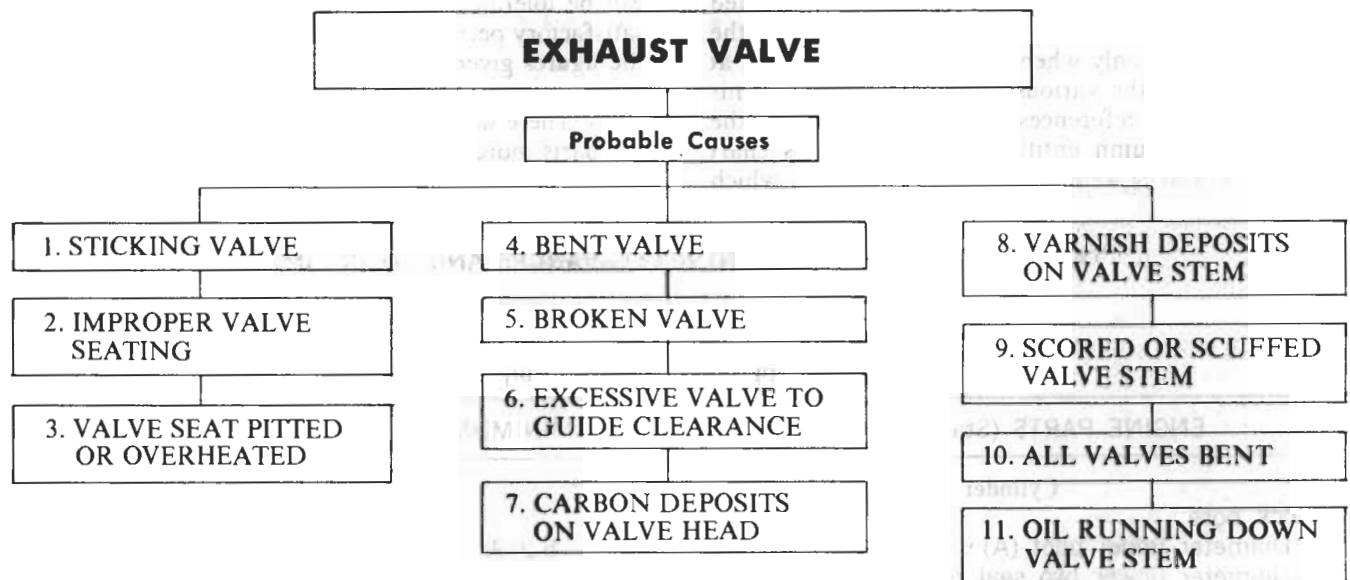
4. Remove excess Loctite from the bolt hole threads by running an 11/16" bottom tap until it bottoms on the plug. Run the tap in by hand. *Power equipment (impact gun, etc.) should not be used as they may cause the tap to disturb the Loctite seal.*

Inspect the bolt hole for debris before and after these operations.

If the plug cannot be removed with relative ease, drill through the plug and remove it with an appropriate size "easy-out". If the threads of the tapped hole become stripped during plug removal, then proceed as follows:

- Tap the hole through to accept a thread insert, clean the new threads with solvent and dry them with compressed air.
- Install a short thread insert (about .625" long) so that the top of the insert is 1.960" below the top face of the block. Coat the insert and the tapped hole with sealant.
- Install the plug as outlined in Step 2.
- Install a long thread insert (about 1.500" long) as deep as possible so that the top of the thread insert is approximately .800" below the top face of the block.

TROUBLE SHOOTING

**SUGGESTED REMEDY**

1. Check for carbon deposits, a bent valve guide, defective spring or antifreeze (glycol) in the lubricating oil. Replace a bent guide. **Clean-up** and reface the valve. Replace the valve if necessary.

2. Check for excessive valve-to-guide clearance, bent valve guide or carbon deposits. Replace a bent or worn guide. Clean the carbon from the valve. Reface or replace the valve, if necessary.

3. Check the operating conditions of the engine for overload, inadequate cooling or improper timing. Reface the valve and insert. Replace the valve if it is warped or too badly pitted. Use a harder-face valve if the operating conditions warrant.

4. Check for contact between the valve head and the piston as a result of incorrect valve clearance, an improperly positioned exhaust valve bridge (four valve head) or a defective spring. Check the valve guide, insert, cylinder head and piston for damage. Replace damaged parts.

5. Check for excessive valve-to-guide clearance, a defective valve spring or etching of the valve stem at the weld. Improper valve clearance is also a cause of this type of failure. Check the guide, insert, cylinder head and piston for damage. Replace damaged parts.

6. Replace a worn valve guide. Check and replace the valve, if necessary.

7. Black carbon deposits extending from the valve seats to the guides indicates cold operation due to light loads or to the use of too light a fuel. Rusty brown valve heads with carbon deposits forming narrow collars near guides indicate hot operation due to overloads, inadequate cooling or improper timing which results in carbonization of the lubricating oil. Clean-up the valves, guides and inserts. Reface the valves and inserts or replace them if they are warped, pitted or scored.

8. Check for a worn valve guide or excessive exhaust back pressure. Replace a worn guide. Check the valve seat for improper seating. Reface the valve and insert or, if necessary, replace.

9. Check for a bent valve stem or guide, metal chips or dirt, or for lack of lubrication. Clean up the valve stem with crocus cloth wet with fuel oil or replace the valve. Replace the guide. When installing a valve, use care in depressing the spring so that the spring cap DOES NOT scrape the valve stem.

10. Check for a gear train failure or for improper gear train timing.

11. Check the operation of the engine for excessive idling and resultant low engine exhaust back pressure. Install valve guide oil seals.

SPECIFICATIONS

Specifications, clearances and wear limits are listed below. It should be specifically noted that the clearances apply only when all new parts are used at the point where the various specifications apply. This also applies to references within the text of the manual. The column entitled "Limits" in this chart lists the amount of wear or increase in clearance which

can be tolerated in used engine parts and still ensure satisfactory performance. It should be emphasized that the figures given as "Limits" must be qualified by the judgement of personnel responsible for installing new parts. These wear limits are, in general, listed only for the parts more frequently replaced in engine overhaul work. For additional information, refer to the text.

TABLE OF SPECIFICATIONS, NEW CLEARANCES AND WEAR LIMITS

These limits also apply to oversize and undersize parts

ENGINE PARTS (Standard Size, New)	MINIMUM	MAXIMUM	LIMITS
Cylinder Block			
Block bore:			
Diameter upper pilot (A)	5.3595"	5.3615"	5.3625"
Diameter (lower two seal ring lands (B)	5.3365"	5.3380"	5.3390"
Diameter (water jacket-C)	5.2160"	5.2170"	5.2180"
Diameter (water jacket-D)	5.2160"	5.2175"	5.2180"
Out-of-round0010"	
Taper (Lower bore)0010"	
Cylinder liner counterbore:			
Diameter	5.5550"	5.5600"	
Depth (standard)4755"	.4770"	
Depth (.015" deeper)4905"	.4920"	
Main bearing bore:			
Inside diameter (vertical axis)	4.8120"	4.8130"	
Top surface of block:			
Centerline of main bearing bore to top of block	16.1840"	16.1890"	16.176" min.
Flatness--transverse (all)0030"
Flatness--longitudinal (6V)0060"
Flatness--longitudinal (8V and 16V)0070"
Depth of counterbores (top surface):			
Cylinder head seal strip groove0970"	.1070"	
Combination water and oil holes0840"	.0890"	
Cylinder Liner			
Outside diameter (upper surface)	5.3577"	5.3593"	
Outside diameter (seal ring surface)	5.3347"	5.3363"	
Outside diameter (lower surface)	5.2142"	5.2158"	
Inside diameter	4.8391"	4.8415"	
Out-of-round--inside diameter0020"	.0025"
Taper--inside diameter0015"	.0025"
Depth of flange BELOW block0418"	.0482"	
Variation in depth between adjacent liners0015"	

ENGINE PARTS (Standard Size, New)	MINIMUM	MAXIMUM	LIMITS
Cross-Head Pistons and Rings			
V-92N-A and V-92T Engines			
Piston crown:			
Saddle-to-crown distance:			
N.A. piston (19:1 compr. ratio)	2.7025 "	2.7095 "	
T piston (17:1 compr. ratio)	2.7025 "	2.7095 "	
Diameter:			
At top	4.8104 "	4.8134 "	
Below both compression rings	4.8273 "	4.8303 "	
Above and below seal ring groove	4.4650 "	4.4750 "	
Above and below bearing saddle	3.2360 "	3.2370 "	
Compression rings:			
Gap (top-fire ring)0250 "	.0450 "	.0600 "
Gap (No. 2 and 3)0250 "	.0450 "	.0600 "
Clearance-ring-to-groove:			
*Top (Keystone fire ring)0010 "	.0050 "	.0070 "
No. 2 (rectangular section)0100 "	.0130 "	.0220 "
No. 3 (rectangular section)0040 "	.0070 "	.0130 "
Seal ring:			
Gap (in skirt counterbore)0020 "	.0170 "	
Clearance0005 "	.0030 "	.0040 "
Piston skirt:			
†Diameter (includes tin)	4.8318 "	4.8340 "	
Clearance-skirt-to-liner0051 "	.0097 "	.0120 "
Seal ring bore	4.5000 "	4.5030 "	
Piston pin bore	1.5025 "	1.5035 "	1.5040 "
Oil control rings:			
Gap (two rings in lower groove--turbo and non-turbo)0100 "	.0250 "	.0430 "
Gap (two rings in upper groove--turbo)0070 "	.0170 "	.0350 "
Gap (two rings in upper groove--non-turbo)0100 "	.0250 "	.0430 "
Clearance0015 "	.0055 "	.0080 "
Piston Pins (Cross-Head Piston)			
Diameter	1.4996 "	1.5000 "	1.4980 "
Slipper bearing (bushing):			
Thickness at center0870 "	.0880 "	.0860 "
Clearance (edge of bushing to groove in piston)0005 "	.0105 "	.0120 "

*Measured with Keystone fire ring flush with outside diameter of piston crown.

† Diameter above and below the piston pin may be 4.8280".

ENGINE PARTS (Standard Size, New)	MINIMUM	MAXIMUM	LIMITS
Crankshaft			
Journal diameter--main bearing	4.4985 "	4.5002 "	
Journal diameter--conn. rod bearing	2.9985 "	3.0002 "	
Journal out-of-round0005 "	.0005 "
Journal taper0004 "	.0004 "
§Runout on journals--total indicator reading:			
6V-92 crankshaft (mounted on No. 1 and No. 4 journals):			
At No. 2 and No. 3 journals0020 "	
8V-92 crankshaft (mounted on No. 1 and No. 5 journals):			
At No. 2 and No. 4 journals0020 "	
At No. 3 journal0040 "	
16V-92 crankshaft (mounted on No. 1 and No. 10 journals):			
At No. 2 and No. 9 journals0020 "	
At No. 3 and No. 8 journals0040 "	
At No. 4 and No. 7 journals0060 "	
At No. 5 and No. 6 journals0080 "	
Thrust washer thickness1190 "	.1220 "	
End play (end thrust clearance)0040 "	.0110 "	.0180 "
Connecting Rod Bearing			
Inside diameter (vertical axis)	3.0010 "	3.0030 "	
Bearing-to-journal clearance0008 "	.0045 "	.0045 "
Bearing thickness 90° from parting line1240 "	.1245 "	
Main Bearings			
Inside diameter (vertical axis)	4.5016 "	4.5040 "	
Bearing-to-journal clearance0014 "	.0055 "	.0055 "
Bearing thickness 90° from parting line1545 "	.1552 "	
Camshaft			
Diameter (at bearing journals):			
Front and rear (6V engines)	1.4970 "	1.4975 "	
Front and rear (8V and 16V engines)	1.4960 "	1.4965 "	
Center and intermediate	1.4980 "	1.4985 "	
Runout at center bearing (when mounted on end bearings)			
End thrust0040 "	.0120 "	.0180 "
Thrust washer thickness1190 "	.1220 "	

§Runout tolerance given for guidance when regrinding crankshaft. When the runout on adjacent journals is in the opposite direction, the sum must not exceed .003" total indicator reading. When the runout on adjacent journals is in the same direction, the difference must not exceed .003" total indicator reading. When high spots of the runout on adjacent journals are at right angles to each other, the sum must not exceed .004" total indicator reading or .002" on each journal.


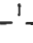


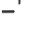
ENGINE PARTS (Standard Size, New)	MINIMUM	MAXIMUM	LIMITS
Camshaft Bearings			
Inside diameter:			
Front and rear	1.5000 "	1.5010 "	
Center and intermediate	1.5010 "	1.5030 "	
Clearance-bearing-to-shaft:			
Front and rear (6 and 16V engines)0025 "	.0040 "	.0060 "
Front and rear (8V engines)0035 "	.0050 "	.0060 "
Center and intermediate0025 "	.0050 "	.0090 "
Outside diameter:			
Front and rear	2.1880 "	2.1885 "	
Center and intermediate	2.1840 "	2.1860 "	
Diameter of cylinder block bore	2.1875 "	2.1885 "	
Clearance-bearings-to-block:			
Front and rear0010 " press.	.0005 " loose	
Intermediate0015 "	.0045 "	
Camshaft Gears			
Inside diameter	1.1865 "	1.1875 "	
Clearance-gear-to-shaft0015 " press	.0000 "	
Backlash0020 "	.0080 "	.0100 "
Idler Gear			
Backlash0020 "	.0080 "	.0100 "
Pre-load-Variation on pull 2 lbs. 11 oz.	1/2 lb.	4 lb.	
Crankshaft Timing Gear			
Inside diameter	5.2490 "	5.2510 "	
Clearance-gear-to-shaft001 " press	.001 " loose	
Backlash0020 "	.0080 "	.0100 "
Blower Drive Gear (Used with step-up gear) Non-Turbo - 2.6 Ratio			
Inside diameter (support bushing)	1.8770 "	1.8780 "	
Hub diameter (at bearing)	1.8745 "	1.8755 "	
Hub-to-support bushing clearance0015 "	.0035 "	
Thrust washer thickness1190 "	.1210 "	
End thrust0030 "	.0170 "	.0190 "
Blower Drive Gear (turbo-engine) - 2.1:1 ratio			
Backlash0020 "	.0080 "	.0100 "
Inside diameter (support bushing)	1.6260 "	1.6265 "	
Hub diameter (at bearing)	1.6240 "	1.6250 "	
Hub-to-support bushing clearance0010 "	.0025 "	.0050 "
Thrust washer thickness2350 "	.2450 "	
Thrust bearing thickness0590 "	.0610 "	
End thrust0050 "	.0100 "	.0120 "
Blower Drive Step-up Gear			
Backlash0020 "	.0080 "	.0100 "
Left Bank Accessory Drive Gear - 2.1:1 ratio			
Backlash0020 "	.0080 "	.0100 "
Inside diameter (support bushing)	1.6260 "	1.6265 "	
Hub diameter (at bearing)	1.6240 "	1.6250 "	
Hub-to-support bushing clearance0010 "	.0025 "	.0050 "
Thrust washer thickness2350 "	.2450 "	
Thrust bearing thickness0590 "	.0610 "	
End thrust0050 "	.0100 "	.0120 "

ENGINE PARTS (Standard Size, New)	MINIMUM	MAXIMUM	LIMITS
Cylinder Head			
Flatness--transverse0040 "
Flatness--longitudinal (6V engine)0055 "
Flatness--longitudinal (8V and 16V engine)0080 "
Distance between top deck and fire deck	3.5560 "	3.5680 "	3.5360 "
Water nozzles0040 "recess	Flush	
Cam follower bores	1.0620 "	1.0630 "	1.0650 "
Exhaust Valve Insert Counterbore:			
Diameter	1.4400 "	1.4410 "	
Depth3395 "	.3505 "	
Exhaust Valve Seat Inserts			
Outside diameter	1.4415 "	1.4425 "	
Seat width0781 "	.0781 "	.0781 "
Valve seat runout0020 "	.0020 "
Exhaust Valves			
Stem diameter3100 "	.3108 "	.3090 "
Valve head-to-cylinder head:			
30°023 "recess.	.006 "protr.	
Valve Guides			
Height above cylinder head6700 "	.7100 "	
Diameter--inside3125 "	.3135 "	.3140 "
Clearance--valve-to-guide0017 "	.0035 "	.0050 "
Valve Bridge Guides			
Height above cylinder head	2.0400 "	2.0400 "	
Rocker Arms and Shafts			
Diameter--rocker shaft8735 "	.8740 "	
Diameter--inside (rocker arm bushing)8750 "	.8760 "	
Clearance--shaft-to-bushing0010 "	.0025 "	.0040 "
Cam Followers			
Diameter	1.0600 "	1.0610 "	
Clearance--follower-to-head0010 "	.0030 "	.0060 "
Rollers and pins:			
Clearance--pin-to-bushing0013 "	.0021 "	.010 "Horiz.
Side clearance--roller to follower0110 "	.0230 "	.0230 "

STANDARD BOLT AND NUT TORQUE SPECIFICATIONS

THREAD SIZE	260M BOLTS TORQUE		THREAD SIZE	280M OR BETTER TORQUE	
	(lb-ft)	Nm		(lb-ft)	Nm
1/4 -20	5-7	7-9	1/4 -20	7-9	10-12
1/4 -28	6-8	8-11	1/4 -28	8-10	11-14
5/16-18	10-13	14-18	5/16-18	13-17	18-23
5/16-24	11-14	15-19	5/16-24	15-19	20-26
3/8 -16	23-26	31-35	3/8 -16	30-35	41-47
3/8 -24	26-29	35-40	3/8 -24	35-39	47-53
7/16-14	35-38	47-51	7/16-14	46-50	62-68
7/16-20	43-46	58-62	7/16-20	57-61	77-83
1/2 -13	53-56	72-76	1/2 -13	71-75	96-102
1/2 -20	62-70	84-95	1/2 -20	83-93	113-126
9/16-12	68-75	92-102	9/16-12	90-100	122-136
9/16-18	80-88	109-119	9/16-18	107-117	146-159
5/8 -11	103-110	140-149	5/8 -11	137-147	186-200
5/8 -18	126-134	171-181	5/8 -18	168-178	228-242
3/4 -10	180-188	244-254	3/4 -10	240-250	325-339
3/4 -16	218-225	295-305	3/4 -16	290-300	393-407
7/8 -9	308-315	417-427	7/8 -9	410-420	556-569
7/8 -14	356-364	483-494	7/8 -14	475-485	644-657
1 -8	435-443	590-600	1 -8	580-590	786-800
1 -14	514-521	697-705	1 -14	685-695	928-942

Grade identification markings are normally stamped on the heads of the bolts. To aid identification of the various bolts used in Detroit Diesel engines, refer to the following chart.

Grade Identification Marking on Bolt Head	GM Number	SAE Grade Designation	Nominal Size Diameter (inch)	Tensile Strength Min. (psi)
None	GM 255-M	1	No. 6 thru 1 1/2	60,000
None	GM 260-M	2	No. 6 thru 3/4 over 3/4 to 1 1/2	74,000 60,000
 Bolts and Screws	GM 280-M	5	No. 6 thru 1 over 1 to 1 1/2	120,000 105,000
 Hex Head Sems Only	GM 275-M	5.1	No. 6 thru 3/8	120,000
 Bolts and Screws	GM 290-M	7	1/4 thru 1 1/2	133,000
 Bolts and Screws	GM 300-M	8	1/4 thru 1 1/2	150,000
 Bolts and Screws	GM 455-M	None	No. 6 thru 1 1/2	55,000

BOLT IDENTIFICATION CHART

EXCEPTIONS TO STANDARD BOLT AND NUT TORQUE SPECIFICATIONS

APPLICATION	THREAD SIZE	TORQUE (lb-ft)	TORQUE Nm
Cam follower guide bolt	1/4 -20	12-15	16-20
Injector control shaft bracket bolt	1/4 -20	10-12	14-16
Air box cover bolt	5/16-18	8-12	11-16
Oil pan bolts (lower pan)	5/16-18	10-12	14-16
Blower drive gear support to thrust collar bolt	5/16-18	16-21	22-28
Exhaust valve bridge adjusting screw lock nut	5/16-24	20-25	27-34
Idler gear bearing retainer bolts	5/16-24	24-29	33-39
Injector clamp bolts	3/8 -16	20-25	27-34
Front end plate bolt (two bolts into water jacket plug)	3/8 -16	20-25	27-34
Engine front cover bolts (16V-92)	3/8 -16	40-45	54-64
Flywheel housing bolts	3/8 -16	25-30	34-41
Oil pan bolts (upper)	3/8 -16	15-20	20-27
Idler gear hub and spacer bolts	3/8 -16	40-45	54-61
Front accessory drive pulley bolt	3/8 -16	25	34
Camshaft end bearing bolts	3/8 -16	35-40	47-54
Water manifold cover bolt	3/8 -16	20-25	27-34
Engine front cover bolts	3/8 -16	25-30	34-41
Engine front cover bolts (16V-92--threaded into plug nuts)	3/8 -24	25-30	34-41
Flywheel housing bolts (threaded into plug nuts)	3/8 -24	25-30	34-41
Flywheel housing cover (small hole) bolt	3/8 -24	30-35	41-47
Flywheel housing cover (small cover) stud nut	3/8 -24	20-25	27-34
Camshaft intermediate bearing lock screw	3/8 -24	15-20	20-27
Blower drive support bolts and nuts (T engines)	3/8 -24	25-30	34-41
Balance weight-to-camshaft gear bolt	3/8 -24	15-18	20-24
Left bank accessory drive support bolts and nuts	3/8 -24	25-30	34-41
Accessory drive hub to camshaft gear bolt	3/8 -24	45-50	61-68
Accessory drive disc to camshaft gear bolt	3/8 -24	45-50	61-68
Exhaust manifold outlet flange nuts (brass)	3/8 -24	20-25	27-34
Water manifold cover bolts	3/8 -24	20-25	27-34
Fuel pipe nuts	3/8 -24	12-15	16-20
Blower drive gear hub to spring plate bolt	3/8 -24	40-45	54-61
Blower drive step-up gear bolt	3/8 -24	50-60	68-81
Flywheel housing cover (large hole) bolt	7/16-14	30-35	41-47
Rear accessory drive pulley bolt	7/16-14	35	47
Generator drive bearing retaining bolt	7/16-14	30-35	41-47
Generator drive oil seal retaining bolt	7/16-14	30-35	41-47
Connecting rod nut	7/16-20	60-70	81-95
Cross-head piston pin to conn. rod bolt	7/16-20	55-60	75-81
Exhaust manifold nuts	7/16-20	30-35	41-47
Fuel manifold connectors (steel washer)	7/16-20	40-45	54 61
Fuel manifold connector nuts	7/16-20	30-35	41-47
Vibration damper hub bolt (8V engine)	7/16-20	75-85	102-115
Crankshaft front cover bolts	1/2 -13	80-90	108-122
Crankshaft front cover and trunnion bolts (16V-92)	1/2 -13	90-100	122-136
Flywheel housing bolts	1/2 -13	90-100	122-136
Flywheel housing cover (large hole) bolt	1/2 -13	30-35	41-47
@Rocker shaft bolts	1/2 -13	90-100	122-136

EXCEPTIONS TO STANDARD TORQUE SPECIFICATIONS (Cont'd.)

APPLICATION	THREAD SIZE	TORQUE (lb-ft)	TORQUE Nm
Alternator drive bearing retaining bolt	1/2 -13	30-35	41-47
Alternator drive oil seal retaining bolt	1/2 -13	30-35	41-47
Idler gear hub and dummy hub bolt	1/2 -13	80-90	108-122
Engine drive shaft flexible coupling bolt	1/2 -20	96-115	130-156
**Flywheel bolts (Undercut)	9/16-18	140-150	190-204
**Flywheel bolts	9/16-18	180-190	244-258
**Camshaft gear bolt (right-bank - 300M)	9/16-18	180-190	244-258
**Main bearing bolts (assembly)	11/16-11	250-260	339-352
**Main bearing bolts (boring)	11/16-11	230-240	312-325
**Cylinder head bolts	11/16-11	250-260	339-352
Accessory drive pulley nut	3/4 -16	120-140	163-190
Crankshaft end bolt	1 -14	290-310	393-421
Camshaft nut	1 1/8 -18	300-325	407-441
Left bank accessory drive gear nut	1 7/16-16	50-60	68-81
Blower drive gear hub nut (T engines)	1 7/16-16	50-60	68-81

@75-85 lb-ft (102-115 Nm) torque on the two bolts attaching load limit or power control screw bracket (if used) to the rocker arm shaft bracket.

**Lubricate at assembly with International Compound No. 2, or equivalent (refer to Parts Catalog or Microfiche, Section 12.8000A).

STANDARD PIPE PLUG TORQUE SPECIFICATIONS

Use sealing compound on plugs without gaskets or teflon.

NPTF SIZE THREAD	TORQUE (lb-ft)	Nm	NPTF SIZE THREAD	TORQUE (lb-ft)	Nm
1/8	10-12	14-16	3/4	33-37	45-50
1/4	14-16	19-22	1	75-85	102-115
3/8	18-22	24-30	1-1/4	95-105	129-143
1/2	23-27	31-37	1-1/2	110-130	150-177

SPECIAL PLUG TORQUE SPECIFICATIONS

APPLICATION	*PLUG	ASSEMBLY
Oil gallery plug	3/8 " Dryseal PTF thread	†Assemble with max. 0.0625 " protrusion from surface
Cylinder head (side)	3/8-16 "	Assemble flush to 0.0625 " protrusion from surface
Cylinder head (end)	3/4 " Dryseal PTF-SAE short	Flush to 0.1250 " recessed
Core hole plug (air box floor)	2 1/2 "-16	230-270 lb-ft (312-366 Nm) torque
Oil drain plug (Nylon washer)	18mm	25-35 lb-ft (34-47 Nm) torque

*Apply sealing compound to plugs used without gaskets or teflon.

†After installation, a 2187 " rod inserted in oil line must pass inner face of plug.

STUD TORQUE SPECIFICATIONS

APPLICATION	TORQUE (lb-ft)	TORQUE (Nm)
Exhaust manifold stud	25-40	34-54
Water manifold cover stud	10-25	14-34

SERVICE TOOLS

TOOL NAME	TOOL NO.
Cylinder Block	
Adapter (1 5/8" diameter plugs)	J 21850
Aftercooler Adaptor Plug Remover and Installer	J 25275
Alignment Tool	J 21799
Cup Plug Installer (2 1/2" diameter)	J 24597
Cylinder Block Head Bolt Gage	J 26244
Cylinder Block Head Bolt Hole Plug Tool Kit	J 26620
Cylinder Block Tap	J 25384
Cylinder Diameter Checking Gage	J 5347-01
Cylinder Hone Set (2 1/2" to 5 3/4")	J 5902-01
Dial Bore Gage Master Setting Fixture	J 23059-01
Dial Indicator Set	J 22273
Diesel Engine Parts Dolly	J 6387
Engine Overhaul Stand (6V and 8V Engines Only)	J 6837-01
Engine Overhaul Stand (16V Engines Only)	J 9389-04
Engine Overhaul Stand Adaptor (6V and 8V Engines Only)	J 8601-01
Engine Overhaul Stand Adaptor (16V Engines Only)	J 8650
Handle	J 7079-2
Master Ring Gage for Block Bore	J 24564
Special Plug Remover (dry cylinder block)	J 21996-01
Special Plug Remover	J 23019
Cylinder Head	
Cam Follower Service Fixture	J 5840-01
Cylinder Head Bolt Hole Cleanout Tap	J 25384
Cylinder Head Guide Studs (Set of 2)	J 24748
Cylinder Head Holding Plate Set	J 3087-01
Cylinder Head Lifting Fixture	J 22062-01
Engine Barring Tool	J 22582
Feeler Gage Set (.0015" to .015")	J 3172
Feeler Stock (.0015")	J 23185
Fuel Line Nut Wrench	J 8932-01
Injector Fuel Hole Brush	J 8152
Injector Tube Swaging Tool	J 28611
Push Rod Remover (set of 3)	J 3092-01
Slide Hammer	J 2619-01
Spring Tester	J 22738-02
Valve Bridge Holding Fixture	J 21772
Valve Bridge Guide Remover (Broken)	J 7453
Valve Bridge Guide Remover Set	J 7091-01
Valve Bridge Guide Installer	J 7482
Valve Guide Cleaner	J 5437
Valve Guide Installer (Machined)	J 21520
Valve Guide Remover	J 6569
Valve Seat Dial Gage	J 8165-2
Valve Seat Grinder	J 8165-1
Valve Seat Grinder Adaptor Set	J 24566
Valve Seat Insert Installer	J 24357
Valve Seat Insert Remover	J 23479-15

SERVICE TOOLS

TOOL NAME OR	TOOL NO.
Valve Seat Insert Remover Collet	J 23479-13
Valve Spring Checking Gage	J 25076-01
Valve Spring Compressor	J 7455
Water Nozzle Installer (intermediate)	J 24857
Crankshaft	
Crankshaft Front Oil Seal Installer	J 9783
Crankshaft Rear Oil Seal Expander	J 4239
Crankshaft Rear Oil Seal Expander Stud Set	J 25002
Crankshaft Rear Oil Seal Installer	J 21112
Crankshaft Rear Oil Seal Expander Oversize (16V Front Cover and 16V Trunnion)	J 4195-01
Crankshaft Rear Oil Seal Service Sleeve Installer	J 21983
Crankshaft Rear Oil Seal Service Sleeve Installer (Front end of 16V)	J 4194-01
Crankshaft Oil Seal Expander	J 22425
Crankshaft Oil Seal Expander (oversize seal)	J 8682
Dial Indicator Set	J 5959-01
Driver Handle	J 3154-1
Driver Handle	J 8092
Engine Barring Tool	J 22582
Flywheel Housing Alignment Studs	J 1927-01
Micrometer Ball Attachment	J 4757
Torque Wrench Adaptor (Two piece crankshaft, 16V engine)	J 22898
Universal Bar Type Puller	J 24420
Flywheel	
Flywheel Lifting Fixture	J 25026
Flywheel Lifting Tool	J 6361-01
Oil Seal Removing and Replacing Tool Set	J 3154-04
Slide Hammer Set	J 5901-01
Flywheel Housing	
Flywheel Housing Aligning Studs (Set of 4)	J 1927-01
Flywheel Housing Concentricity Gage Set	J 9737-01
Piston, Connecting Rod and Cylinder Liner	
Connecting Rod Bolt Hole Reamer	J 28460
Connecting Rod Holding Fixture	J 7632
Cylinder Liner Master Ring Gage	J 24564
Cylinder Hone Set (2 1/2" to 5 3/4" range)	J 5902-01
Cylinder Liner Hold Down Tool	J 24565-02
Cylinder Liner Remover Set	J 24563
Dial Bore Gage Setting Fixture	J 23059-01
Dial Indicator Set	J 24898
Feeler Gage Set	J 3172
Micrometer Ball Attachment	J 4757
Piston Crown Identification Gage	J 25397

SERVICE TOOLS

TOOL NAME	TOOL NO.
Piston Pin Alignment Tool	J 24285
Piston Pin Retainer Installer	J 23762
Piston Pin Retainer Leak Detector	J 23987-01
Piston Ring Compressor	J 24227
Piston Ring Remover and Installer	J 8128
Piston to Liner Feeler Gage Set	J 5438-01
Seal Ring Compressor	J 24226
Camshaft	
Accessory Drive Hub Oil Seal Aligning Tool	J 21166
Balance Weight Cover Oil Seal Installer	J 9791
Camshaft Gear Puller	J 1902-01
Camshaft Gear Puller Adaptor Plate Set	J 6202-01
Camshaft and Oil Pump Gear Replacer	J 1903
Dial Indicator and Attachment Set	J 5959-01
Puller Adaptor	J 7932
Slide Hammer	J 6471-02
Spring Scale	J 8129
Universal Bar Type Puller	J 24420

SECTION 2

FUEL SYSTEM AND GOVERNORS

CONTENTS

Fuel System	2
Fuel Injector	2.1.1
Fuel Injector Tube	2.1.4
Fuel Pump	2.2
Fuel Strainer and Fuel Filter	2.3
Fuel Cooler	2.5.1
Mechanical Governors	2.7
Limiting Speed Mechanical Governor	2.7.1
Limiting Speed Mechanical Governor (Variable Low-Speed)	2.7.1.3
Variable Speed Mechanical Governor	2.7.2
Hydraulic Governors	2.8
SG Hydraulic Governor (Variable Speed)	2.8.1
Hydraulic Governor Drive	2.8.3
Fuel Injector Control Tube	2.9
Shop Notes - Trouble Shooting - Specifications - Service Tools	2.0

FUEL SYSTEM

The fuel system (Fig. 1) includes the fuel injectors, fuel pipes (inlet and outlet), fuel manifolds (integral with the cylinder head), fuel pump, fuel strainer, fuel filter and fuel lines.

Fuel is drawn from the supply tank through the fuel strainer and enters the fuel pump at the inlet side. Leaving the pump under pressure, the fuel is forced through the fuel filter and into the inlet fuel manifold, then through fuel pipes into the inlet side of each fuel injector.

The fuel manifolds are identified by the words "IN" (top passage) and "OUT" (bottom passage) which are cast or stamped in several places in the side of the cylinder head. This aids installation of the fuel lines.

Surplus fuel returns from the outlet side of the injectors to the fuel return manifold and then back to the supply tank.

All engines are equipped with a restrictive fitting in the fuel outlet manifold in one of the cylinder heads

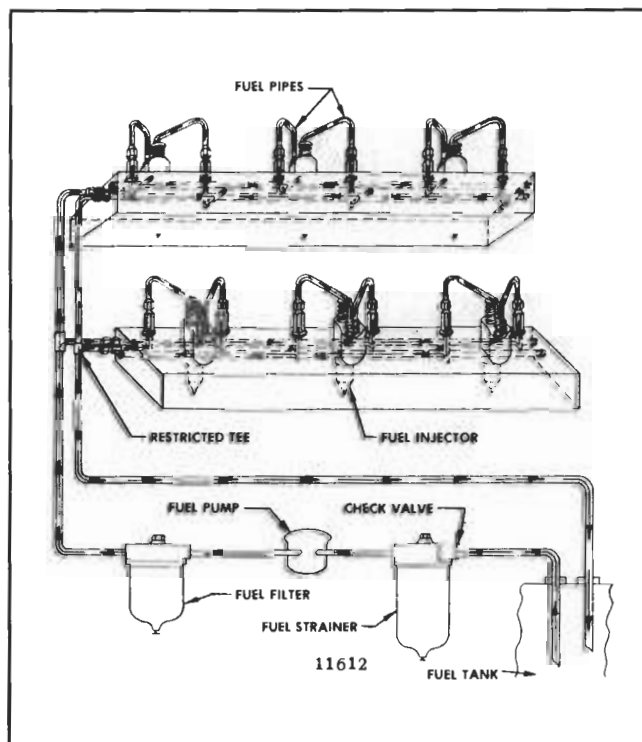


Fig. 1 - Schematic Diagram of Typical Fuel System

on 6 and 8V engines (two of the cylinder heads on 16V engines) to maintain the fuel system pressure. Refer to Section 13.2 for the size fitting required.

A check valve may be installed in the supply line between the fuel tank and the fuel strainer to prevent fuel from draining back when the engine is shut down.

FUEL INJECTOR (Needle Valve)

The fuel injector (Figs. 1 and 2) is a lightweight compact unit which enables quick, easy starting directly on diesel fuel and permits the use of a simple open type combustion chamber. The simplicity of design and operation provides for simplified controls and easy adjustment. No high pressure fuel lines or complicated air-fuel mixing or vaporizing devices are required.

The fuel injector performs four functions:

1. Creates the high fuel pressure required for efficient injection.
2. Meters and injects the exact amount of fuel required to handle the load.
3. Atomizes the fuel for mixing with the air in the combustion chamber.
4. Permits continuous fuel flow.

Combustion required for satisfactory engine operation is obtained by injecting, under pressure, a small quantity of accurately metered and finely atomized fuel oil into the cylinder.

Metering of the fuel is accomplished by an upper and lower helix machined in the lower end of the injector plunger. Figure 3 illustrates the fuel metering from no-load to full-load by rotation of the plunger in the bushing.

Figure 4 illustrates the phases of injector operation by the vertical travel of the injector plunger.

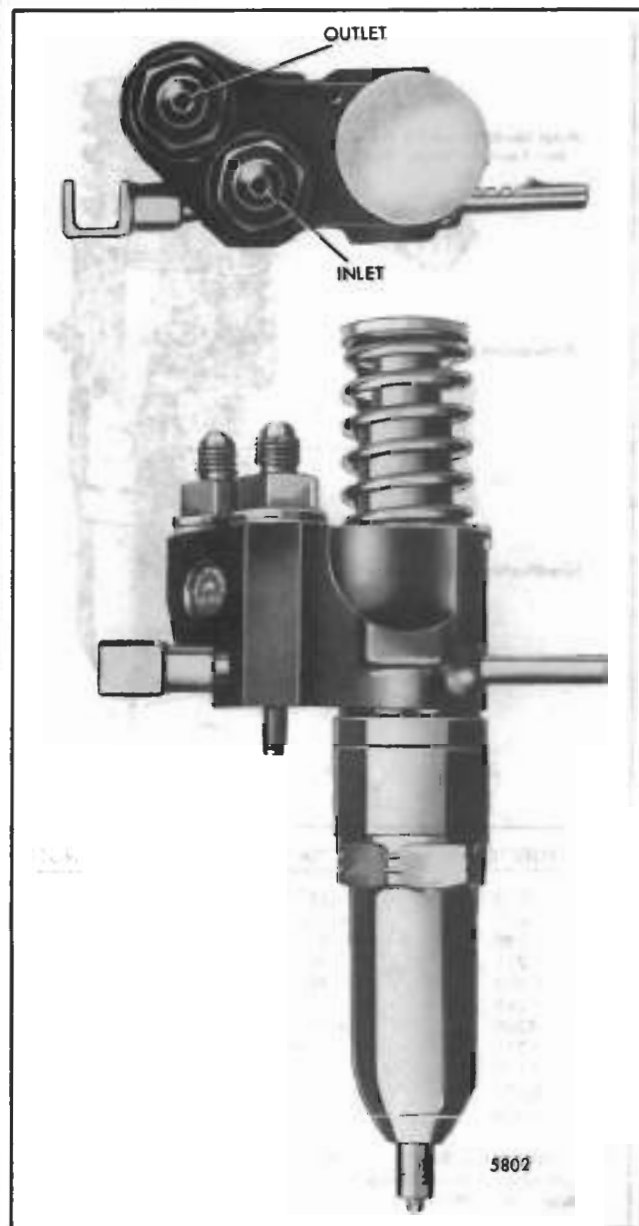


Fig. 1 - Fuel Injector Assembly

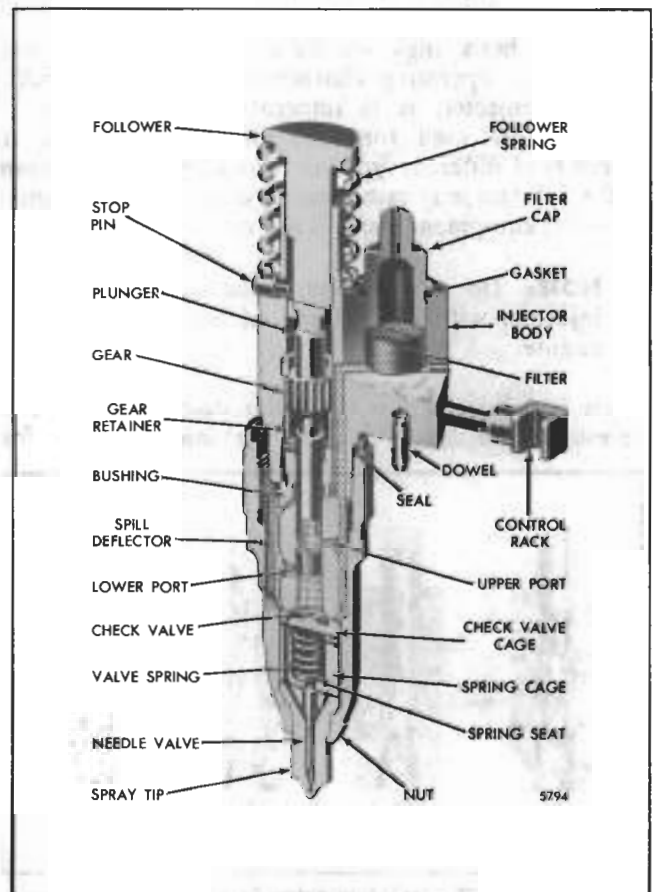


Fig. 2 - Cutaway View of Fuel Injector

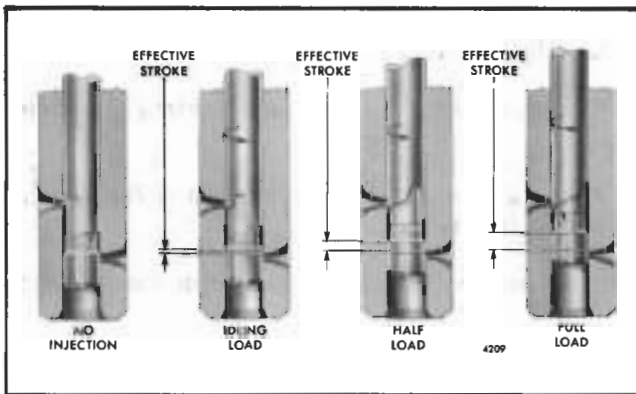


Fig. 3 - Fuel Metering from No-Load to Full-Load

The continuous fuel flow through the injector serves, in addition to preventing air pockets in the fuel system, as a coolant for those injector parts subjected to high combustion temperatures.

To vary the power output of the engine, injectors having different fuel output capacities are used. The fuel output of the various injectors is governed by the helix angle of the plunger and the type of spray tip used. Refer to Fig. 5 for the identification of the injectors and their respective plungers and spray tips.

Since the helix angle on the plunger determines the output and operating characteristics of a particular type of injector, it is imperative that the correct injectors are used for each engine application. If injectors of different types are mixed, erratic operation will result and may cause serious damage to the engine or to the equipment which it powers.

NOTE: Do not intermix the needle valve injectors with other types of injectors in an engine.

Each fuel injector has a circular disc pressed into a recess at the front side of the injector body for

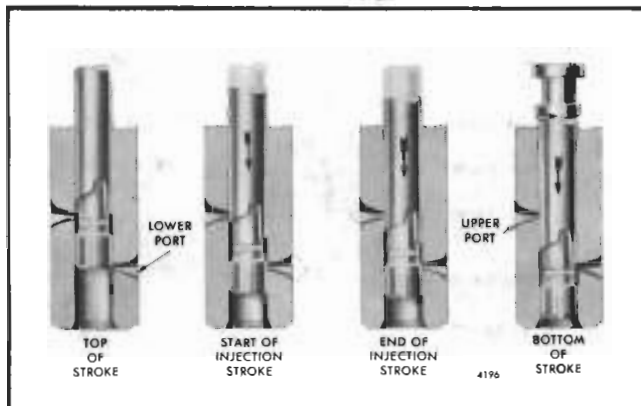


Fig. 4 - Phases of Injector Operation Through Vertical Travel of Plunger

identification purposes (Fig. 5). The identification tag indicates the relative size of the injector.

Each injector control rack (Fig. 2) is actuated by a lever on the injector control tube which, in turn, is connected to the governor by means of a fuel rod. These levers can be adjusted independently on the control tube, thus permitting a uniform setting of all injector racks.

The fuel injector combines in a single unit all of the parts necessary to provide complete and independent fuel injection at each cylinder.

INJECTOR	SPRAY TIP*	PLUNGER
9270	7-.007-165A	F7
9275	7-.007-165A	F75
9280	7-.007-165A	F8
9285	7-.007-165A	F85
9290	7-.007-165A	F9
9295	7-.007-165A	F95
9200	7-.007-165A	F10
9215	7-.007-165A	115
9A80	9-.0062-165	F8
9A85	9-.0062-165	F85
9A90	9-.0062-165	F9

*First numeral indicates number of spray holes, followed by size of holes and angle formed by spray from holes.

Fig. 5 - Injector Identification Chart

Operation

Fuel, under pressure, enters the injector at the inlet side through a filter cap and filter (Fig. 2). From the filter, the fuel passes through a drilled passage into the supply chamber, that area between the plunger bushing and the spill deflector, in addition to that area under the injector plunger within the bushing. The plunger operates up and down in the bushing, the bore of which is open to the fuel supply in the annular chamber by two funnel-shaped ports in the plunger bushing.

The motion of the injector rocker arm is transmitted to the plunger by the follower which bears against the follower spring (Fig. 6). In addition to the reciprocating motion, the plunger can be rotated, during operation, around its axis by the gear which meshes with the control rack. For metering the fuel, an upper helix and a lower helix are machined in the lower part of the plunger. The relation of the helices to the two ports changes with the rotation of the plunger.

As the plunger moves downward, under pressure of the injector rocker arm, a portion of that fuel trapped under the plunger is displaced into the supply chamber through the lower port until the port is closed off by the lower end of the plunger. A portion of the fuel trapped below the plunger is then forced up through a central passage in the plunger into the fuel metering recess and into the supply chamber through the upper port until that port is closed off by the upper helix of the plunger. With the upper and lower ports both closed off, the remaining fuel under the plunger is

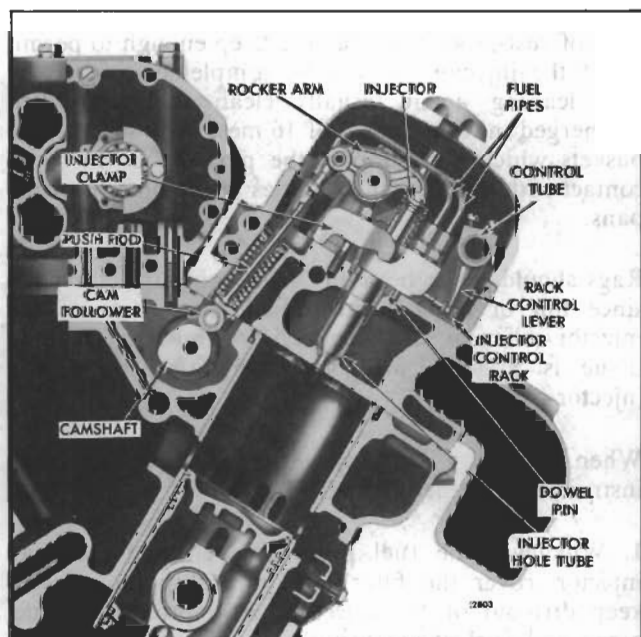


Fig. 6 - Fuel Injector Mounting

subjected to increased pressure by the continued downward movement of the plunger.

When sufficient pressure is built up, it opens the flat, non-return check valve. The fuel in the check valve cage, spring cage, tip passages and tip fuel cavity is compressed until the pressure force acting upward on the needle valve is sufficient to open the valve against the downward force of the valve spring. As soon as the needle valve lifts off of its seat, the fuel is forced through the small orifices in the spray tip and atomized into the combustion chamber.

When the lower land of the plunger uncovers the lower port in the bushing, the fuel pressure below the plunger is relieved and the valve spring closes the needle valve, ending injection.

A pressure relief passage has been provided in the spring cage to permit bleed-off of fuel leaking past the needle pilot in the tip assembly.

A check valve, directly below the bushing, prevents leakage from the combustion chamber into the fuel injector in case the valve is accidentally held open by a small particle of dirt. The injector plunger is then returned to its original position by the injector follower spring. Figure 4 shows the various phases of injector operation by the vertical travel of the injector plunger.

On the return upward movement of the plunger, the high pressure cylinder within the bushing is again filled with fuel oil through the ports. The constant circulation of fresh cool fuel through the injector renews the fuel supply in the chamber, helps cool the injector and also effectively removes all traces of air

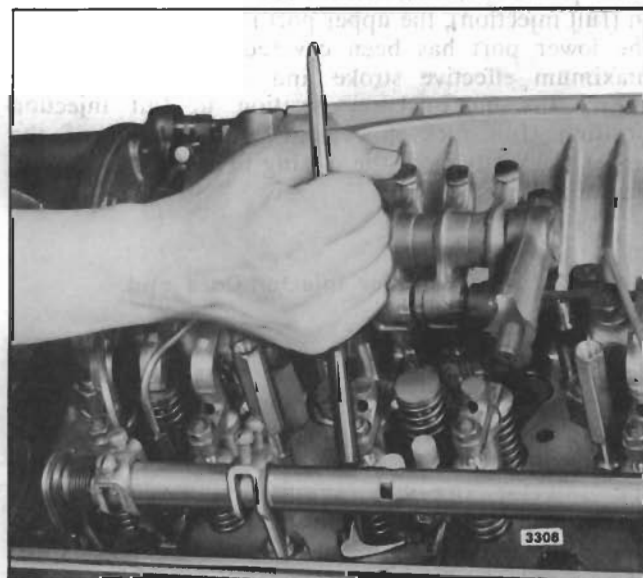


Fig. 7 - Removing Injector from Cylinder Head

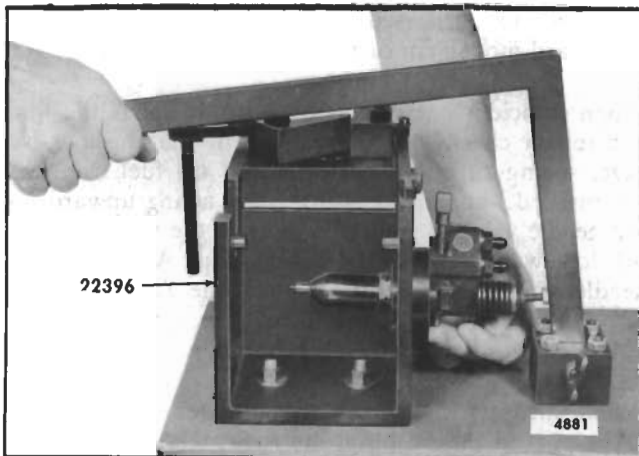


Fig. 8 - Checking Rack and Plunger for Free Movement

which might otherwise accumulate in the system and interfere with accurate metering of the fuel.

The fuel injector outlet opening, through which the excess fuel oil returns to the fuel return manifold and then back to the fuel tank, is directly adjacent to the inlet opening.

Changing the position of the helices, by rotating the plunger, retards or advances the closing of the ports and the beginning and ending of the injection period. At the same time, it increases or decreases the amount of fuel injected into the cylinder. Figure 3 shows the various plunger positions from no-load to full-load. With the control rack pulled out all the way (no injection), the upper port is not closed by the helix until after the lower port is uncovered. Consequently, with the rack in this position, all of the fuel is forced back into the supply chamber and no injection of fuel takes place. With the control rack pushed all the way in (full injection), the upper port is closed shortly after the lower port has been covered, thus producing a maximum effective stroke and maximum injection. From this no injection position to full injection position (full rack movement), the contour of the upper helix advances the closing of the ports and the beginning of injection.

General Instructions for Injector Care and Overhaul

The fuel injector is one of the most important and precisely built parts of the engine. The injection of the correct amount of fuel into the combustion chamber at exactly the right time depends upon this unit. Because the injector operates against high compression pressure in the combustion chamber, efficient operation demands that the injector assembly is maintained in first-class condition at all times. Proper maintenance of the fuel system and the use of the recommended

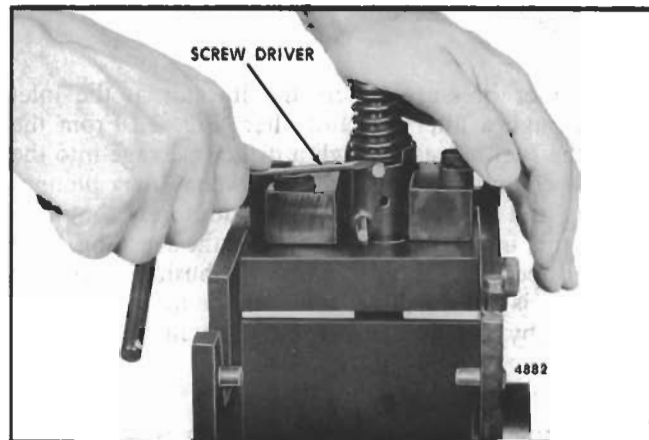


Fig. 9 - Removing Injector Follower Stop Pin

type fuel filters and clean water-free fuel are the keys to trouble-free operation of the injectors.

Due to the close tolerances of various injector parts, extreme cleanliness and strict adherence to service instructions is required.

Perform all injector repairs in a clean, well lighted room with a dust free atmosphere. An ideal injector room is slightly pressurized by means of an electric fan which draws air into the room through a filter. This pressure prevents particles of dirt and dust from entering the room through the doors and windows. A suitable air outlet will remove solvent fumes along with the outgoing air. Also provide a source for 110 volt alternating current electric power.

Provide the injector repair room with a supply of filtered, moisture-proof compressed air for drying the injector parts after they have been cleaned. Use wash pans of rust-proof material and deep enough to permit all of the injector parts to be completely covered by the cleaning agent, usually clean fuel oil, when submerged in wire baskets of 16 mesh wire screen. Use baskets which will support the parts so as to avoid contact with the dirt which settles at the bottom of the pans.

Rags should never be used for cleaning injector parts since lint or other particles will clog parts of the injector when it is assembled. A lint-free cleaning tissue is a good, inexpensive material for wiping injector parts.

When servicing an injector, follow the general instructions outlined below:

1. Whenever the fuel pipes are removed from an injector, cover the filter caps with shipping caps to keep dirt out of the injectors. Also protect the fuel pipes and fuel connectors from the entry of dirt or other foreign material.

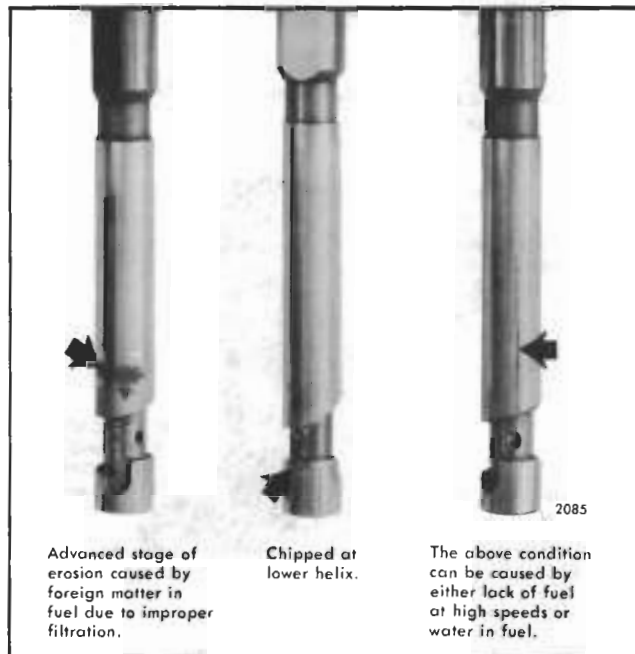


Fig. 10 - Unusable Injector Plungers

2. After an injector has been operated in an engine, do not remove the filter caps or filters while the injector is in the engine. Replace the filters only at the time of complete disassembly and assembly of an injector.

NOTE: In the offset injector, a filter is used in the inlet side only. No filter is required on the outlet side (Fig. 35).

3. Whenever an injector has been removed and reinstalled or replaced in an engine, make the following adjustments as outlined in Section 14:

- a. Time the injector.
- b. Position the injector control rack.

4. Whenever an engine is to be out of service for an extended period, purge the fuel system, then fill it with a good grade of rust preventive (refer to Section 15.3).

5. When a reconditioned injector is to be placed in stock, fill it with injector test oil J 26400. Do not use fuel oil. Install shipping caps on both filter caps immediately after filling. Store the injector in an upright position to prevent test oil leakage.

Remove Injector

1. Clean and remove the valve rocker cover.
2. Remove the fuel pipes from both the injector and the fuel connectors (Fig. 6).

NOTE: Immediately after removal of the fuel

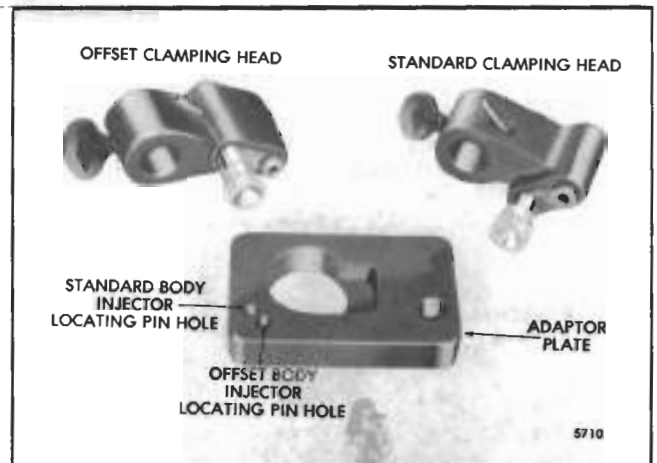


Fig. 11 - Injector Tester J 23010 Clamping Heads

pipes from an injector, cover the filter caps with shipping caps to prevent dirt from entering the injector. Also protect the fuel pipes and fuel connectors from entry of dirt or foreign material.

3. Crank the engine to bring the outer ends of the push rods of the injector and valve rocker arms in line horizontally.
4. Remove the two rocker shaft bracket bolts and swing the rocker arms away from the injector and valves (Fig. 7).
5. Remove the injector clamp bolt, special washer and clamp.
6. Loosen the inner and outer adjusting screws (certain engines have only one adjusting screw and lock nut) on the injector rack control lever and slide the lever away from the injector.
7. Lift the injector from its seat in the cylinder head.
8. Cover the injector hole in the cylinder head to keep foreign material out.
9. Clean the exterior of the injector with clean fuel oil and dry it with compressed air.

TEST INJECTOR

CAUTION: The fuel spray from an injector can penetrate the skin. Fuel oil which enters the blood stream can cause a serious infection. Therefore, follow instructions and use the proper equipment to test an injector.

If inspection does not reveal any external damage,

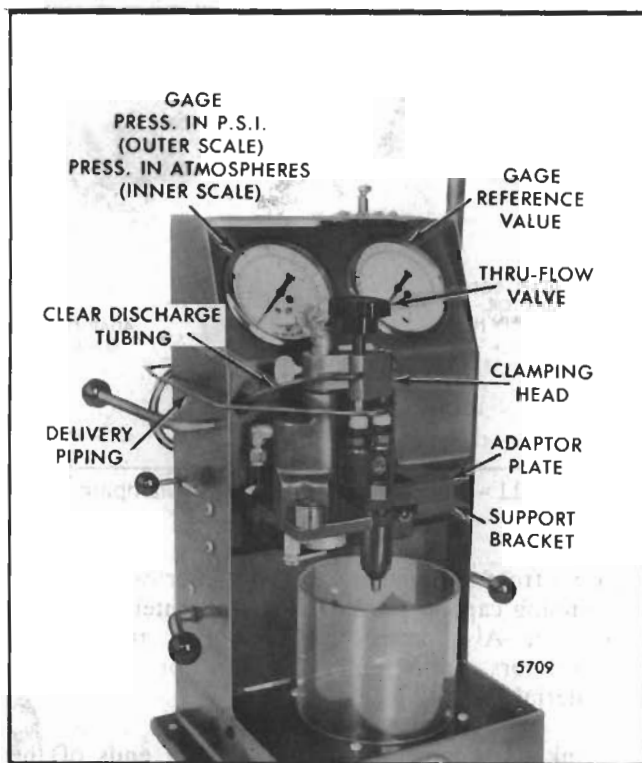


Fig. 12 - Injector Installed in Tester J 23010 with clamping Head

then perform a series of tests to determine the condition of the injector to avoid unnecessary overhauling. Tests must be performed using injector test oil J 26400.

An injector that passes all of the tests outlined below may be considered to be satisfactory for service.

However, an injector that fails to pass one or more of the tests is unsatisfactory. Perform all of the tests before disassembling an injector to correct any one condition.

Identify each injector and record the pressure drop and fuel output as indicated by the following tests:

Injector Control Rack and Plunger Movement Test

Place the injector in the injector fixture and rack freeness tester J 22396. Refer to Fig. 8 and place the handle on top of the injector follower.

If necessary, adjust the contact screw in the handle to ensure the contact screw is at the center of the follower when the follower spring is compressed.

With the injector control rack held in the no-fuel position, push the handle down and depress the

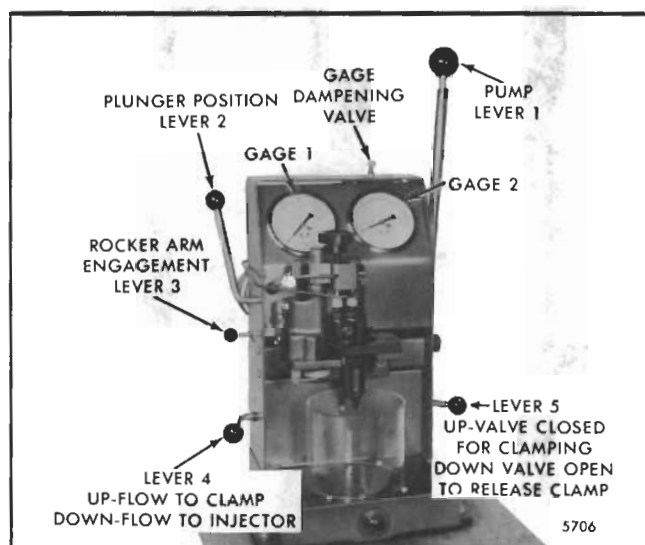


Fig. 13 - Injector in Position for Testing with Tester J 23010

follower to the bottom of its stroke. Then very slowly release the pressure on the handle while moving the control rack up and down as shown in Fig. 8 until the follower reaches the top of its travel. If the rack does not fall freely, loosen the injector nut, turn the tip, then retighten the nut. Loosen and retighten the nut a couple of times if necessary. Generally this will free the rack. Then, if the rack isn't free, change the injector nut. In some cases it may be necessary to disassemble the injector to eliminate the cause of the misaligned parts.

Visual Inspection of Plunger

An injector which passes all of the previous tests should have the plunger checked visually, under a magnifying glass, for excessive wear or a possible chip on the bottom helix. There is a small area on the bottom helix and lower portion of the upper helix, if chipped, that will not be indicated in any of the tests.

Remove the plunger from the injector as follows:

1. Support the injector, right side up, in holding fixture J 22396.
2. Compress the follower spring. Then raise the spring above the stop pin with a screw driver and withdraw the pin (Fig. 9). Allow the spring to rise gradually.
3. Remove the injector from the holding fixture. Turn the injector upside down, to prevent the entry of dirt, and catch the spring and plunger as they drop out.
4. Inspect the plunger. If the plunger is chipped (Fig. 10), replace the plunger and bushing assembly.

5. Re-install the plunger, follower and spring.

Installing Fuel Injector in Tester J 23010

1. Select the proper clamping head (Fig. 11). Position it on the clamping post and tighten the thumb screw into the lower detent position (Fig. 12).
2. Connect the test oil delivery piping into the clamping head.
3. Connect the test oil clear discharge tubing onto the pipe on the clamping head.
4. Locate the adaptor plate on top of the support bracket by positioning the 3/8" diameter hole at the far right of the adaptor plate onto the 3/8" diameter dowel pin. This allows the adaptor plate to swing out for mounting the fuel injector.
5. Mount the injector through the large hole and insert the injector pin in the proper locating pin hole (Fig. 11).
6. Swing the mounted injector and adaptor plate inward until they contact the stop pin at the rear of the support bracket.

Clamping the Fuel Injector

1. Refer to Fig. 13 and position the injector tester levers as follows:

Lever 2 up and to the rear

Lever 3 in the rear detent

Lever 4 up (horizontal)

Lever 5 up (horizontal)

2. Align the clamping head nylon seals over the injector filter caps.

3. Back off the Thru-Flow valve about half-way to allow the self-aligning nylon seals to seat properly during the clamping operation.

4. Hold the clamping head in position over the filter caps and, with the left hand, operate pump lever 1 evenly to move the clamping head down to seal the filter caps.

NOTE: The Thru-Flow valve should still turn freely. If it does not, turn the valve counter-clockwise until it rotates freely and re-apply clamping pressure.

NOTE: Excessive force on lever 1 during clamping can damage the seals in the valves operated by levers 4 and 5.

Purging Air from the System

Move lever 4 down and operate pump lever 1 to produce a test oil flow through the injector. When air bubbles no longer pass through the clear discharge tubing, the system is free of air and is now ready for testing.

Injector Valve Opening and Spray Pattern Test

This test determines spray pattern uniformity and the relative pressure at which the injector valve opens and fuel injection begins.

1. Clamp the injector properly and purge the air from the system.

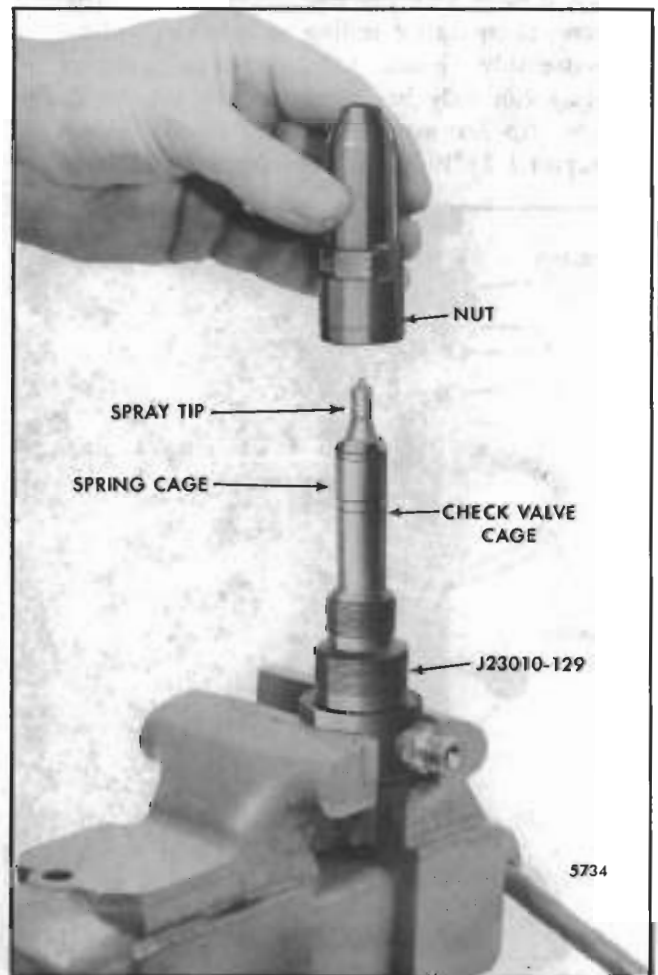


Fig. 14 - Assembling Injector Valve Parts on Tip Tester Adaptor J 23010-129

2. Move lever 4 *down*.
3. Position the injector rack in the full-fuel position.
4. Place pump lever 1 in the vertical position.
5. Move lever 3 to the forward detent position.
6. Operate pump lever 1 uniformly and observe the spray pattern produced.

The highest pressure reference number shown on gage 2 will be reached just before injection ends. Use the following reference values to determine the relative acceptability of the injector. Reference values for Series 92 injectors are from 138 minimum to 162 maximum.

NOTE: The reference value obtained when pop testing the needle valve injectors is to be used as a trouble shooting and diagnosis aid. This allows comparative testing of injectors without disassembly. Exact valve opening pressure values can only be determined by the *Needle Valve Tip Test* using tester J 23010 and tip test adaptor J 23010-129 or auxiliary tester J 22640.

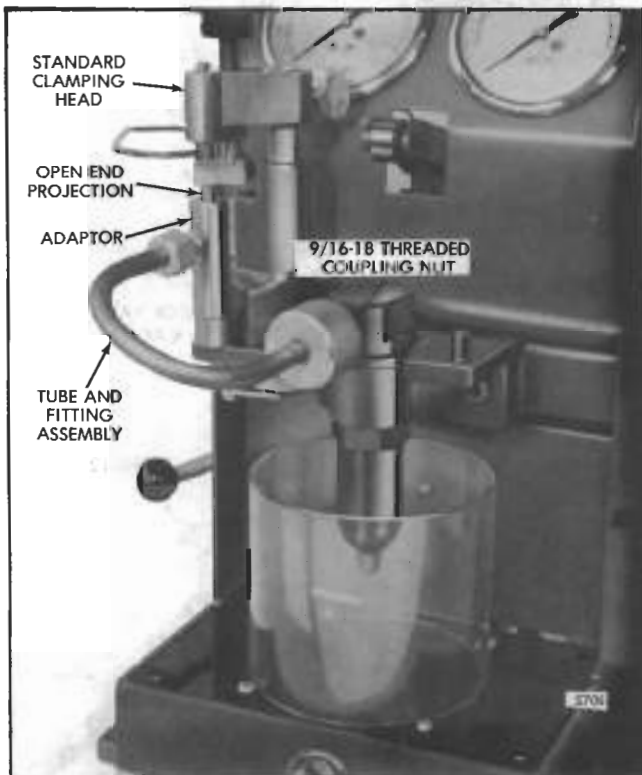


Fig. 15 - Adaptor and Tube Assembly on Injector Tester J 23010

Injector High Pressure Test

This test checks for leaks at the filter cap gaskets, body plugs and nut seal ring.

1. Clamp the injector properly and purge the air from the system.
2. Close the Thru-Flow valve, but do not overtighten.

NOTE: Make sure lever 4 is in the *down* position before operating pump lever 1.

3. Operate pump lever 1 to build up to 1600 to 2000 psi on gage 1. Check for leakage at the injector filter cap gaskets, body plugs and injector nut seal ring.

Injector Pressure Holding Test

This test determines if the body-to-bushing mating surfaces in the injector are sealing properly and indicates proper plunger-to-bushing fit.

1. Clamp the injector properly and purge the air from the system.
2. Close the Thru-Flow valve; but do not overtighten.
3. Move lever 2 to the rear, horizontal position.
4. Operate pump lever 1 until gage 1 reads approximately 700 psi.
5. Move lever 4 to the *up* position.
6. Time the pressure drop between 3100 to 1723 psi. If the pressure drop occurs in less than 15 seconds, leakage is excessive.

Refer to the *Trouble Shooting Charts* in Section 2.0 if the fuel injector does not pass any of the preceding tests.

If the fuel injector passes all of the above tests, proceed with the *Fuel Output Test*.

Unclamping the Injector

1. Open the Thru-Flow valve to release pressure in the system.
2. Move lever 5 *down* to release the clamping pressure.
3. Swing out the adaptor plate and remove the injector after the nylon seals in the clamping head are free and clear of the injector filter caps.

4. Carefully return lever 5 to the *up* (horizontal) position.

Needle Valve Tip Test (Using J 23010 Tester and Tip-Test Adaptor)

Assemble injector parts on tip test adaptor as follows:

1. Clamp the flat sides of the tip test adaptor J 23010-129 firmly in a vise and assemble the cleaned injector parts including the check valve cage, spring, spring seat, spring cage and spray tip assembly.

2. Carefully pilot the injector nut over the spray tip and valve parts and thread it onto the adaptor (Fig. 14).

3. Tighten the injector nut.

4. Mount the adaptor and assembled injector parts in the support bracket (adaptor plate not needed). Refer to Fig. 15.

5. Install the offset clamping head on the clamping post (on J 23010 testers without serial numbers, use the upper detent position and on J 23010 testers numbered 1051 and higher, use the lower detent position).

6. Select the (larger) 9/16"-18 threaded coupling nut J 23010-20 and thread it on tubing J 23010-75.

Install the tubing and fitting to adaptor J 23010-167.

7. Connect the tubing to tip test adaptor J 23010-129 by threading the coupling nut on the tip test adaptor.

Installing Adaptor and Tube Assembly on Tester J 23010

1. Position the adaptor and tubing assembly with the solid projecting end located in the hole on the left side of the support bracket.

2. Swing the clamping head over the adaptor and clamp it with the oil supply outlet aligned over the open projecting end of the adaptor (Fig. 15).

NOTE: Use the fuel injector clamping procedure to clamp adaptor J 23010-167 in the injector tester.

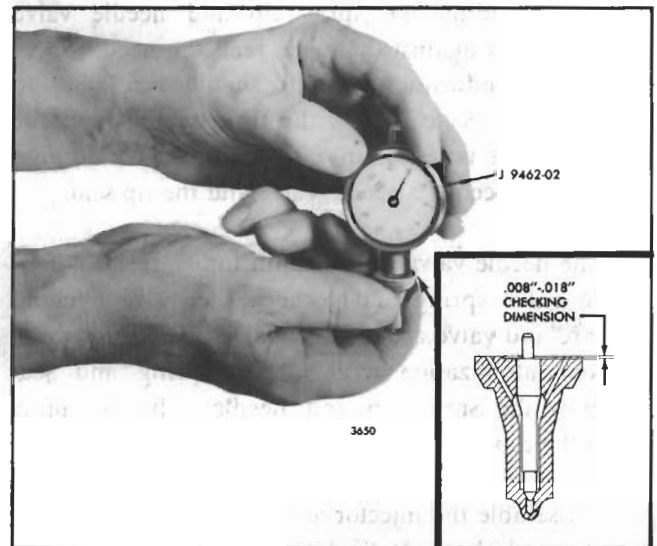


Fig. 16 - Checking Needle Valve Lift

Spray Tip Test

1. Move lever 4 *down* and operate pump lever 1 with even strokes (Fig. 13).

2. Note the pressure at which the needle valve opens on gage 1. The valve should open between 2300 and 3200 psi. The opening and closing action should be sharp and produce a normal, finely atomized spray pattern.

If the valve opening pressure is below 2300 psi and/or atomization is poor, the cause is usually a weak valve spring or a poor needle valve seat.

If the valve opening pressure is within 2300-3300 psi, proceed to check for spray tip leakage as follows:

- Actuate pump lever 1 several times and hold the pressure at 1500 psi for 15 seconds.
- Inspect the spray tip for leakage. There should be no fuel droplets, although a slight wetting at the spray tip is permissible.

Needle Valve Lift Test

To measure the needle valve lift, use tool J 9462-01 (Fig. 16) as follows:

1. Zero the indicator by placing the bottom surface of the plunger assembly on a flat surface and zero the indicator dial.

2. Place the spray tip and needle valve assembly tight against the bottom of the gage with the quill of the needle valve in the hole in the plunger.

3. While holding the spray tip and needle valve assembly tight against the gage, read the needle valve lift on the indicator. The lift should be .008" to .018". If it exceeds .018", the tip assembly must be replaced. If it is less than .008", inspect for foreign material between the needle valve and the tip seat.

4. If the needle valve lift is within limits, install a new needle valve spring and recheck the valve opening pressure and valve action. Low valve opening pressure or poor atomization with a new spring and seat indicates the spray tip and needle valve assembly should be replaced.

5. Re-assemble the injector as outlined under *Assemble Injector* and check the injector output with calibrator J 22410.

Needle Valve Tip Test (Using Auxiliary Tester J 22640)

1. Connect the pipe from auxiliary tester J 22640 to the rear of the J 23010 tester at the connection located near the bottom of the tester (Fig.17).

2. Assemble cleaned injector parts, including the check valve cage, spring, spring seat, spring cage and spray tip assembly, on the auxiliary tester J 22640 (Fig. 18).

3. Carefully pilot the injector nut over the spray tip and valve parts and thread it on the auxiliary tester.

4. Tighten the injector nut.

5. Open the valve on the auxiliary tester and place lever 4 in the *up* (horizontal) position.

6. Install the shield on the auxiliary tester and operate

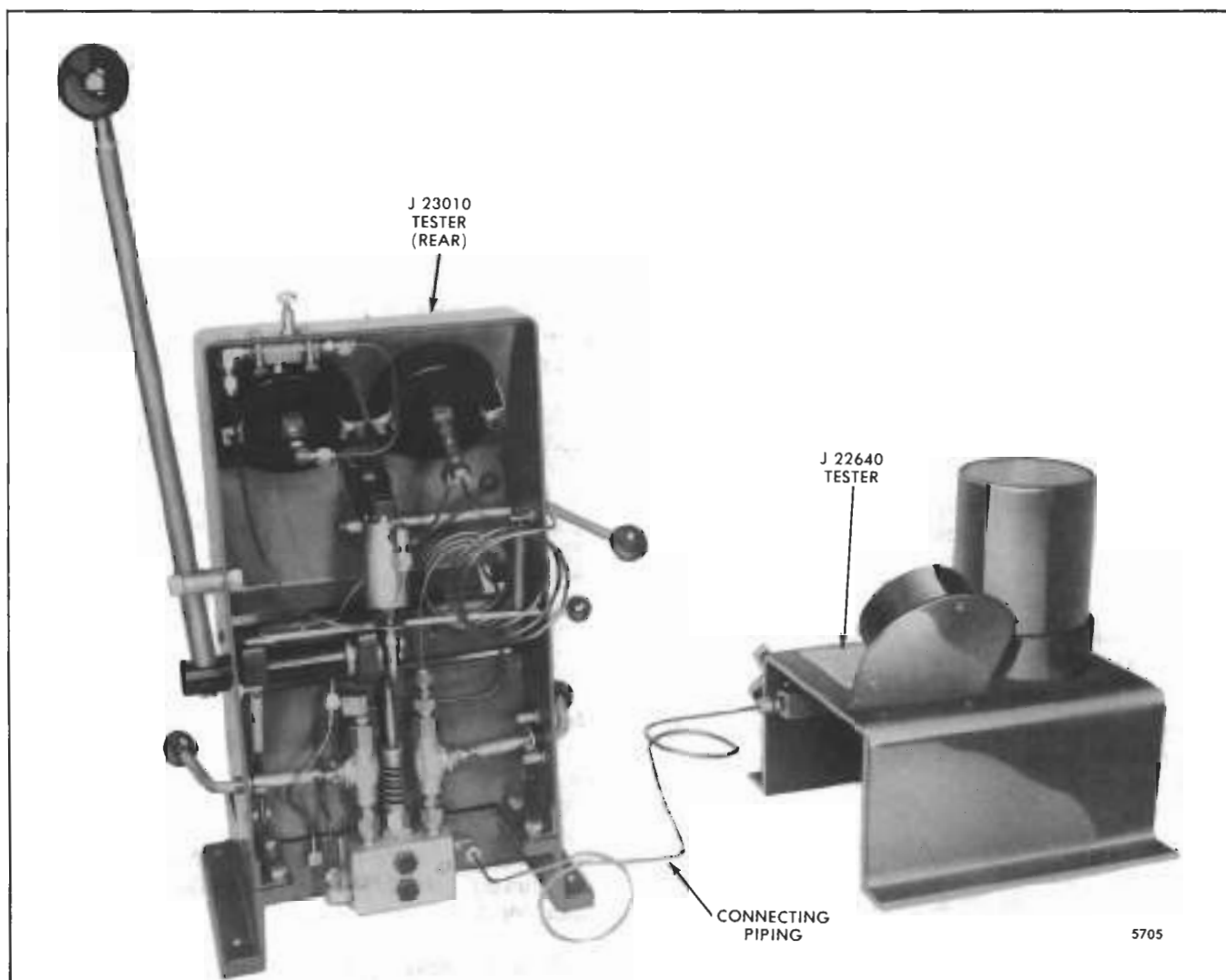


Fig. 17 - Injector Needle Valve Tester J 23010 with Auxiliary Tester J 22640

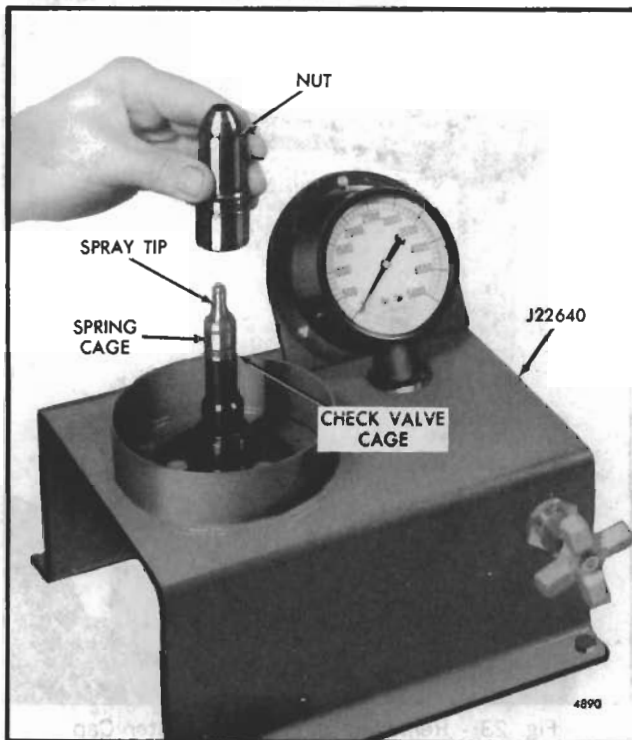


Fig. 18 - Installing Injector Valve Parts on Auxiliary Tester J 22640

pump lever I until the needle valve has opened several times to purge the air from the system.

7. Operate pump lever I with smooth, even strokes and note the pressure on gage I when the needle valve opens. The valve should open between 2300 and 3200 psi. The opening and closing action should be sharp and produce a finely atomized spray.

If the valve opening pressure is below 2300 psi and/or atomization is poor, the cause is usually a weak valve spring or poor needle valve seat.

If the valve opening pressure is within 2300-3200 psi, proceed to check for spray tip leakage as follows:

- a. Actuate the pump lever several times and hold the pressure at 1500 psi for 15 seconds.
- b. Inspect the spray tip for leakage. There should be no fuel droplets although a slight wetting at the spray tip is permissible.

Perform the needle valve lift test.

*Injector	Calibrator J 22410	
	Min.	Max.
9270	65	70
9275	70	75
9280	75	80
9285	80	85
9290	85	90
9295	90	95
9A80	75	80
9A85	80	85
9A90	85	90
9200	90	95
9215	110	116

*First two digits identify injector for series "92" engines.

Fig. 19 - Fuel Output Chart

Fuel Output Test

Perform the injector fuel output test in calibrator J 22410.

When injectors are removed from an engine for fuel output testing and, if satisfactory, reinstalled without disassembly, extreme care should be taken to avoid reversing the fuel flow. When the fuel flow is reversed, dirt trapped by the filter is back-flushed into the injector components.

Before removing an injector from the engine, note the direction of the fuel flow. To avoid reversing the fuel flow when checking injector fuel output, use the appropriate adaptor. The position of the braided fuel inlet tube and the plastic fuel outlet tube on the calibrator (Fig. 20) depends on the adaptor being used and the direction of fuel flow through the injector.

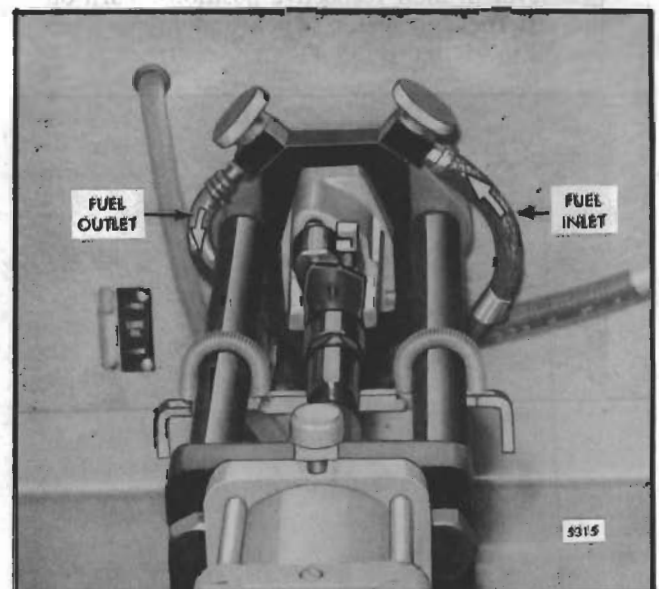


Fig. 20 - Position of Calibrator Fuel Flow Pipes

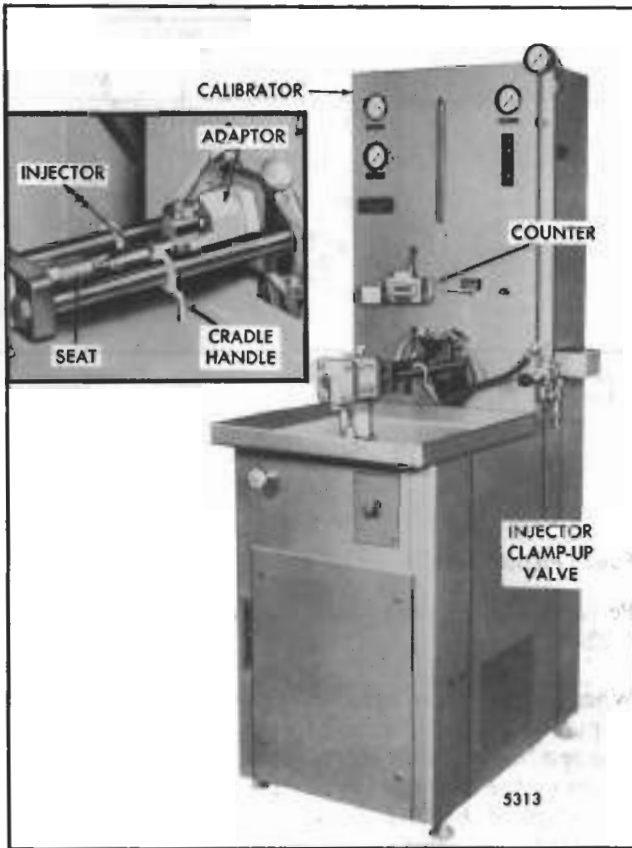


Fig. 21 - Injector in Calibrator J 22410

Calibrator J 22410

To check the fuel output, operate the injector in calibrator J 22410 (Fig. 21) as follows:

NOTE: Place the cam shift index wheel and fuel flow lever in their respective positions. Turn on the test fuel oil heater switch and preheat the test oil to 95-105 °F (35-40 °C).

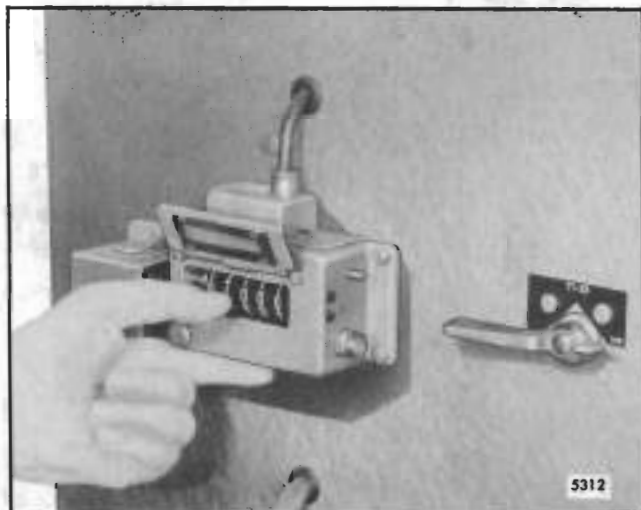


Fig. 22 - Setting Calibrator Stroke Counter

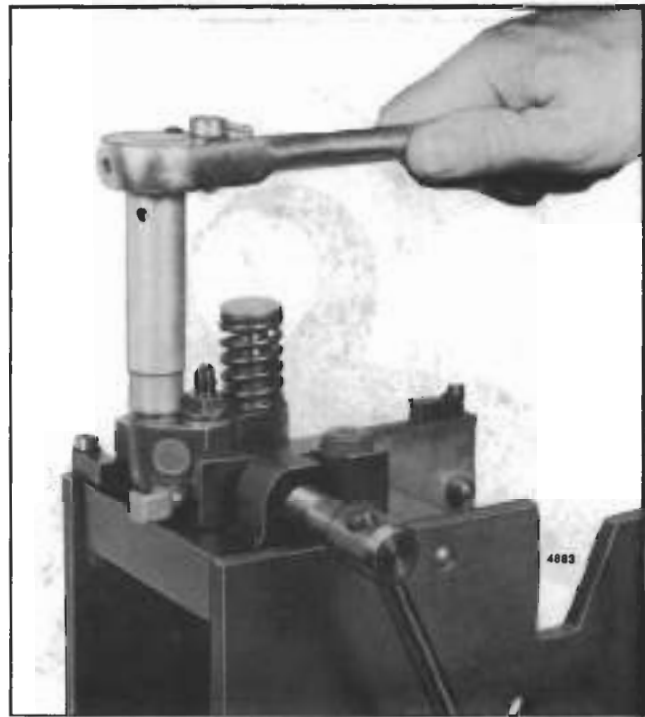


Fig. 23 - Removing or Installing Filter Cap

1. Place the proper injector adaptor between the tie rods and engage it with the fuel block locating pin. Then slide the adaptor forward and up against the fuel block face.

2. Place the injector seat J 22410-226 into the permanent seat (cradle handle in vertical position). Clamp the injector into position by operating the air valve.



Fig. 24 - Removing or Installing Plunger Follower, Plunger and Spring

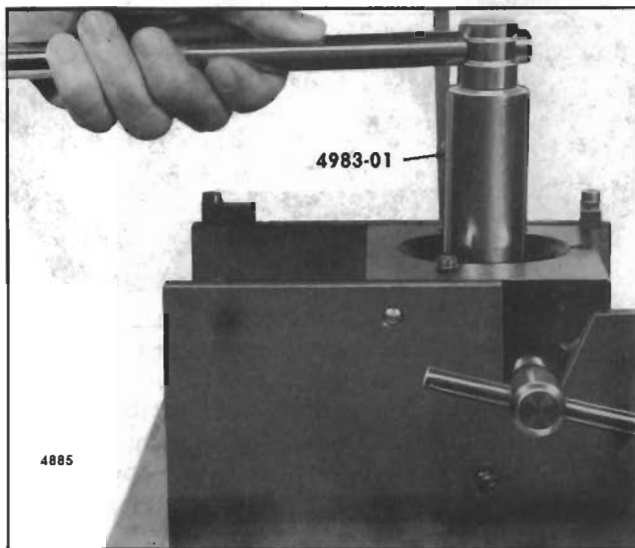


Fig. 25 - Removing Injector Nut

NOTE: Make sure the counter (Fig. 22) on the calibrator is preset at 1000 strokes. If for any reason this setting has been altered, reset the counter to 1000 strokes by twisting the cover release button to the left and hold the reset lever in the full up position while setting the numbered wheels. Close the cover. Refer to the calibrator instruction booklet for further information.

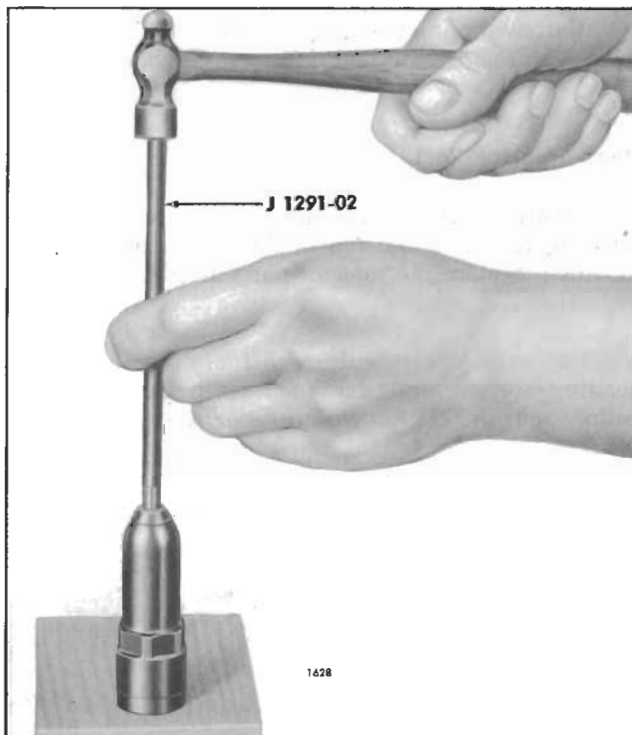


Fig. 26 - Removing Spray Tip from Injector Nut

3. Pull the injector rack out to the no-fuel position.
4. Turn on the main power control circuit switch. Then start the calibrator by turning on the motor starter switch.

NOTE: The low oil pressure warning buzzer will sound briefly until the lubricating oil reaches the proper pressure.

5. After the calibrator has started, set the injector rack into the full-fuel position. Allow the injector to operate for approximately 30 seconds to purge the air that may be in the system.

6. After the air is purged, press the fuel flow start button (red). This will start the flow of fuel into the vial. The fuel flow to the vial will automatically stop after 1000 strokes.

7. Shut the calibrator off (the calibrator will stop in less time at full-fuel).

8. Observe the vial reading and refer to Fig. 19 to determine whether the injector fuel output falls within the specified limits. If the quantity of fuel in the vial does not fall within the specified limits, refer to *Trouble Shooting Chart 6* and *Shop Notes* in section 2.0 for the cause and remedy.

NOTE: Refer to Section 2.0 for different factors that may affect the injector calibrator output reading.

The calibrator may be used to check and select a set of injectors which will inject the same amount of fuel in each cylinder at a given throttle setting, thus resulting in a smooth running, well balanced engine.

An injector which passes all of the above tests may be put back into service. However, an injector which fails to pass one or more of the tests must be rebuilt and checked on the calibrator.

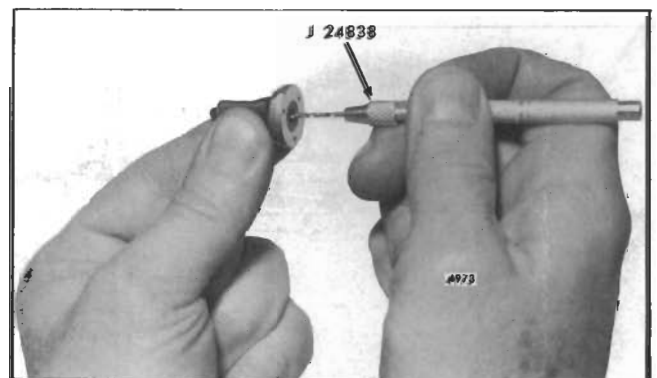


Fig. 27 - Cleaning Injector Spray Tip

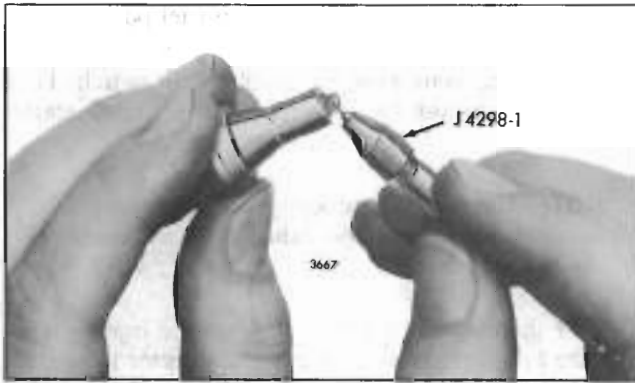


Fig. 28 - Cleaning Spray Tip Orifices

Any injector which is disassembled and rebuilt must be tested again before being placed in service.

Disassemble Injector

If required, disassemble an injector as follows:

1. Support the injector upright in injector holding fixture J 22396 (Fig. 23) and remove the filter caps, gaskets and filters.

NOTE: Whenever a fuel injector is disassembled, discard the filters and gaskets and replace with new filters and gaskets. *In the offset injector, a filter is used in the inlet side only. No filter is required in the outlet side (Fig. 35).*

2. Compress the follower spring as shown in Fig. 11. Then raise the spring above the stop pin with a screw driver and withdraw the pin. Allow the spring to rise gradually.

3. Refer to Fig. 24 and remove the plunger follower, plunger and spring as an assembly.

4. Invert the fixture and, using socket J 4983-01, loosen the nut on the injector body (Fig. 25).

5. Lift the injector nut straight up, being careful not to

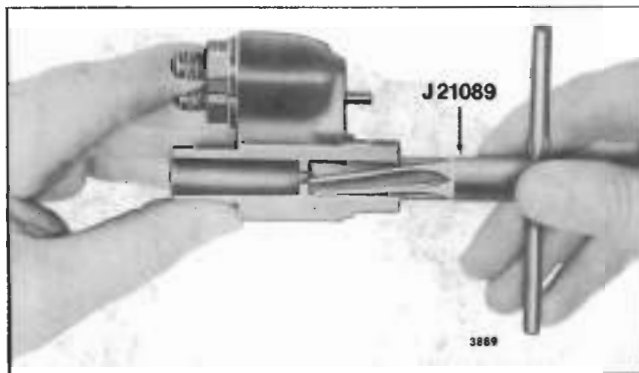


Fig. 29 - Cleaning Injector Body Ring

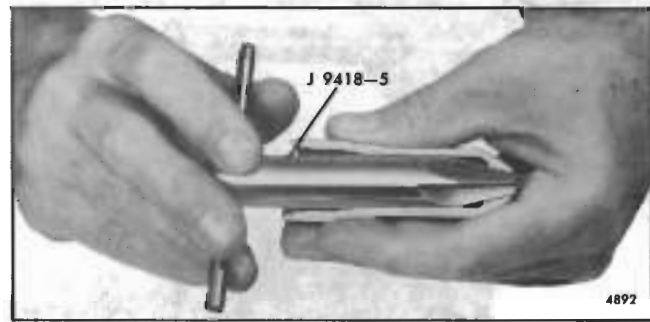


Fig. 30 - Cleaning Injector Nut Spray Tip Seat

dislodge the spray tip and valve parts. Remove the spray tip and valve parts from the bushing and place them in a clean receptacle until ready for assembly.

When an injector has been in use for some time, the spray tip, even though clean on the outside, may not be pushed readily from the nut with the fingers. In this event, support the nut on a wood block and drive the tip down through the nut, using tool J 1291-02 as shown in Fig. 26.

6. Refer to Fig. 37 and remove the spill deflector. Then lift the bushing straight out of the injector body.

7. Remove the injector body from the holding fixture. Turn the body upside down and catch the gear retainer and gear in your hand as they fall out of the body.

8. Withdraw the injector control rack from the injector body. Also remove the seal ring from the body.

Clean Injector Parts

Since most injector difficulties are the result of dirt particles, it is essential that a clean area be provided on which to place the injector parts after cleaning and inspection.

Wash all of the parts with clean fuel oil or a suitable cleaning solvent and dry them with clean, filtered compressed air. *Do not use waste or rags for cleaning*

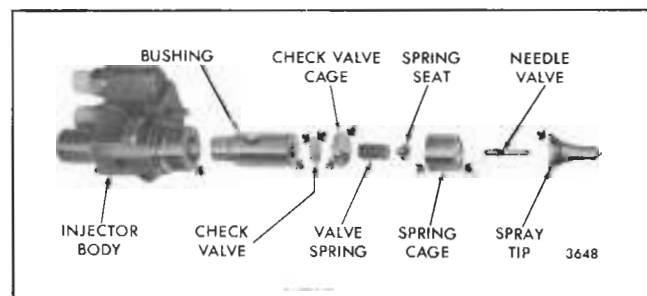


Fig. 31 - Sealing Surfaces which may Require Lapping

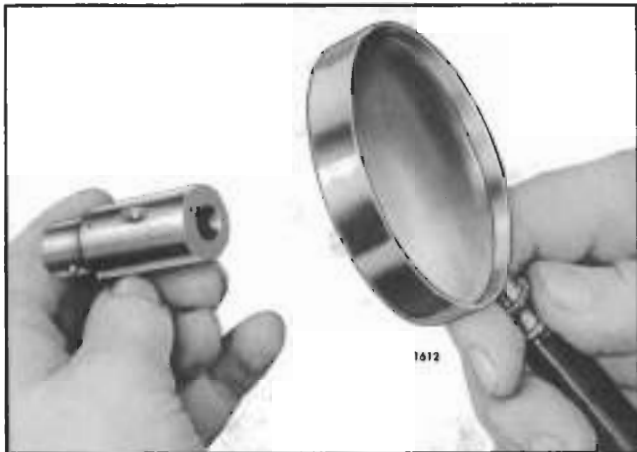


Fig. 32 - Examining Sealing Surface with a Magnifying Glass

purposes. Clean out all of the passages, drilled holes and slots in all of the injector parts.

Carbon on the inside of the spray tip may be loosened for easy removal by soaking for approximately 15 minutes in a suitable solution prior to the external cleaning and buffing operation. Methyl Ethyl Ketone J 8257 solution is recommended for this purpose.

Clean the spray tip with tool J 24838 (Fig. 27).

NOTE: Care must be exercised when inserting the carbon remover J 24838 in the spray tip to avoid contacting the needle valve seat in the tip.

Wash the tip in fuel oil and dry it with compressed air. Clean the spray tip orifices with pin vise J 4298-1 and the proper size spray tip cleaning wire. Use wire J 21460 to clean .0055" diameter holes and wire J 21461 to clean .006" diameter holes (Fig. 28).

Before using the wire, hone the end until it is smooth and free of burrs and taper the end a distance of 1/16" with stone J 8170. Allow the wire to extend 1/8" from tool J 4298-1.

The exterior surface of an injector spray tip may be cleaned by using a brass wire buffing wheel, tool J 7944. To obtain a good polishing effect and longer brush life, the buffing wheel should be installed on a motor that turns the wheel at approximately 3000 rpm. A convenient method of holding the spray tip while cleaning and polishing is to place the tip over the drill end of the spray tip cleaner tool J 1243 and hold the body of the tip against the buffing wheel. In this way, the spray tip is rotated while being buffed.

NOTE: Do not buff excessively. Do not use a steel wire buffing wheel or the spray tip holes may be distorted.

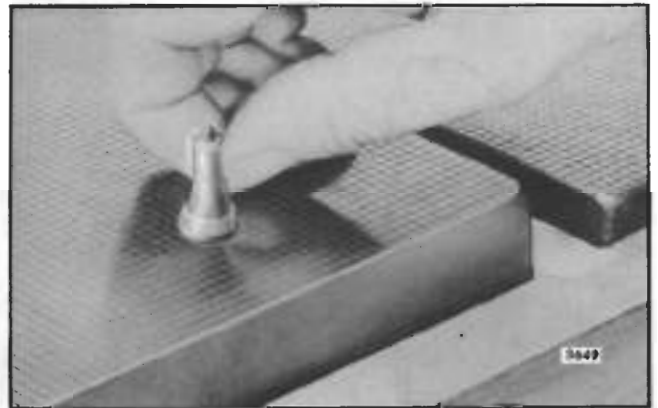


Fig. 33 - Lapping Spray Tip on Lapping Blocks J 22090

When the body of the spray tip is clean, lightly buff the tip end in the same manner. This cleans the spray tip orifice area and will not plug the orifices.

Wash the spray tip in clean fuel oil and dry it with compressed air.

Clean and brush all of the passages in the injector body, using fuel hole cleaning brush J 8152 and rack hole cleaning brush J 8150. Blow out the passages and dry them with compressed air.

Carefully insert reamer J 21089 in the injector body (Fig. 29). Turn it in a clockwise direction a few turns, then remove the reamer and check the face of the ring for reamer contact over the entire face of the ring. If necessary, repeat the reaming procedure until the reamer does make contact with the entire face of the ring. Clean up the opposite side of the ring in the same manner.

Carefully insert a .375" diameter straight fluted reamer inside the ring bore in the injector body. Turn the reamer in a clockwise direction and remove any burrs inside the ring bore. Then wash the injector body in clean fuel oil and dry it with compressed air.

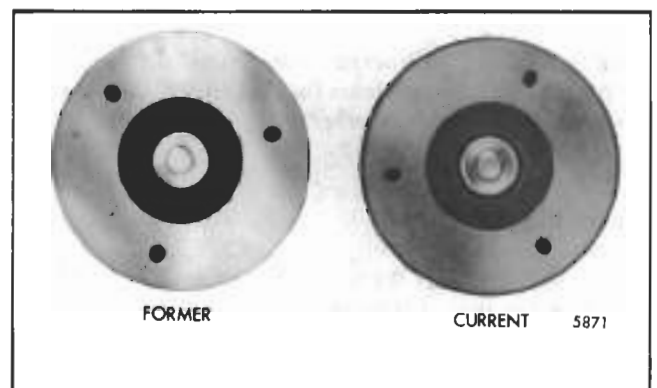


Fig. 34 - Spray Tip Sealing Surface Identification

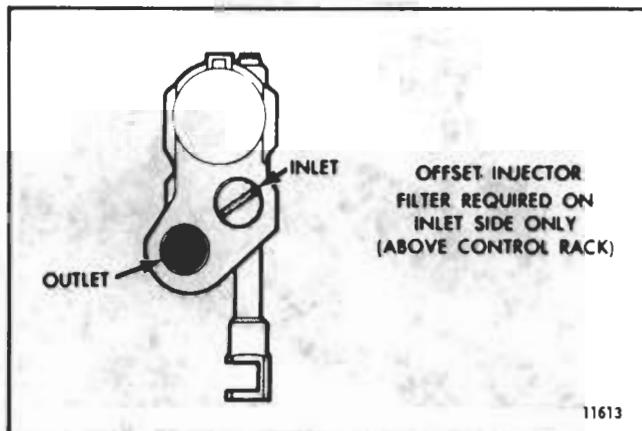


Fig. 35 - Location of Filter in Injector Body

Remove the carbon deposits from the lower inside diameter taper of the injector nut with carbon remover J 9418-5 (Fig. 30). Use care to minimize removing metal or setting up burrs on the spray tip seat. Remove **only** enough metal to produce a clean uniform seat to prevent leakage between the seat and the nut. Carefully insert carbon remover J 9418-1 in the injector nut. Turn it clockwise to remove the carbon deposits on the flat spray tip seat.

Wash the injector nut in clean fuel oil and dry it with compressed air. Carbon deposits on the spray tip seating surfaces of the injector nut will result in poor sealing and consequent fuel leakage around the spray tip.

When handling the injector plunger, do not touch the finished plunger surfaces with your fingers. Wash the plunger and bushing with clean fuel oil and dry them with compressed air. Be sure the high pressure bleed hole in the side of the bushing is not plugged. If this hole is plugged, fuel leakage will occur at the upper end of the bushing where it will drain out of the injector body vent and rack holes, during engine operation, causing a serious oil dilution problem. *Keep the plunger and bushing together as they are mated parts.*

After washing, submerge the parts in a clean receptacle containing clean fuel oil. *Keep the parts of each injector assembly together.*

Inspect Injector Parts

Inspect the teeth on the control rack and the control rack gear for excessive wear or damage. Also check for excessive wear in the bore of the gear and inspect the gear retainer. Replace damaged or worn parts.

Inspect the injector follower and pin for wear. Refer to Section 2.0.

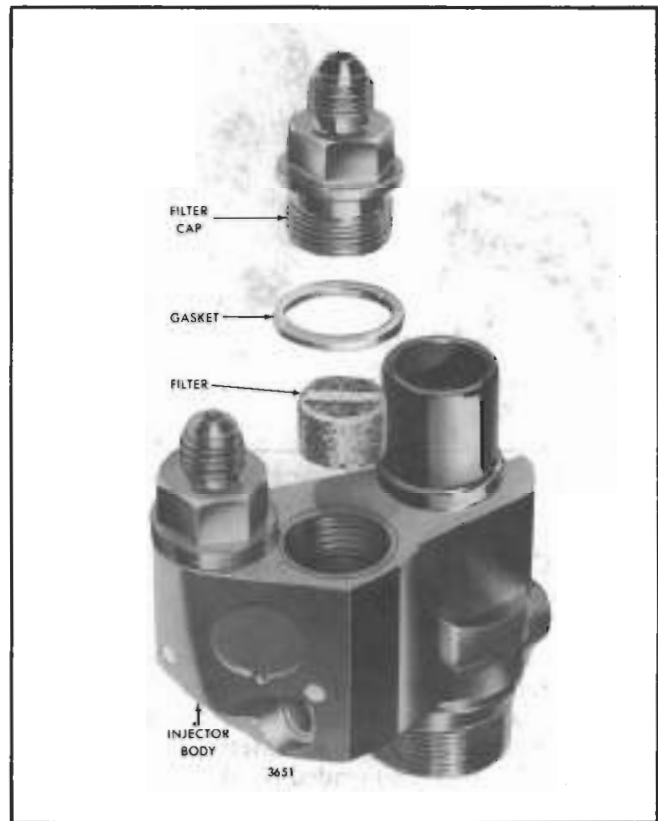


Fig. 36 - Details of Injector Filters and Caps and Their Relative Location

Inspect both ends of the spill deflector for sharp edges or burrs which could create burrs on the injector body or injector nut and cause particles of metal to be introduced into the spray tip and valve parts. Remove burrs with a 500 grit stone.

Inspect the follower spring for visual defects. Then check the spring with spring tester J 22738-02.

The injector follower spring (.142" diameter wire) has a free length of approximately 1.504" and should be replaced when a load of less than 70 lbs. will compress it to 1.028".

Check the seal ring area on the injector body for burrs or scratches. Also check the surface which contacts the injector bushing for scratches, scuff marks or other damage. If necessary, lap this surface. A faulty sealing surface at this point will result in high fuel consumption and contamination of the lubricating oil. Replace any loose injector body plugs or a loose dowel pin. Install the proper number tag on a service replacement injector body.

Inspect the injector plunger and bushing for scoring, erosion, chipping or wear. Check for sharp edges on that portion of the plunger which rides in the gear. Remove any sharp edges with a 500 grit stone. Wash

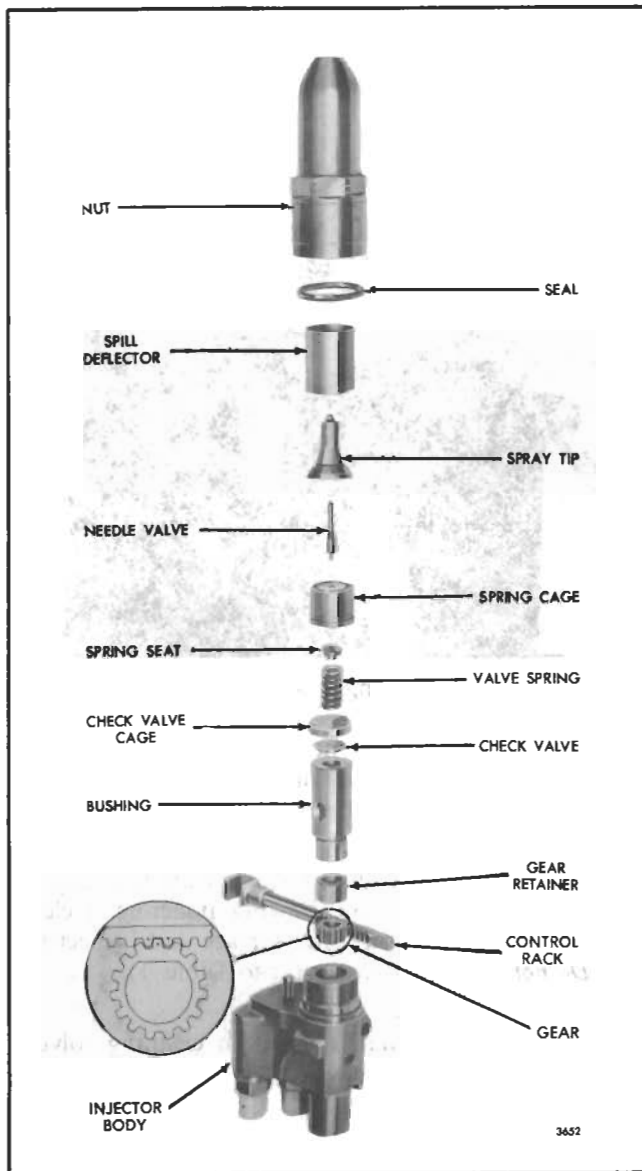


Fig. 37 - Injector Rack, Gear, Spray Tip and Valve Assembly Details and Relative Location of Parts

the plunger after stoning it. Injector Bushing Inspectalite J 21471 can be used to check the port holes in the inner diameter of the bushing for cracks or chipping. Slip the plunger into the bushing and check for free movement. **Replace the plunger and bushing as an assembly if any of the above damage is noted, since they are mated parts.** Use new mated factory parts to assure the best performance from the injector.

Injector plungers cannot be reworked to change the output. Grinding will destroy the hardened case at the helix and result in chipping and seizure or scoring of the plunger.

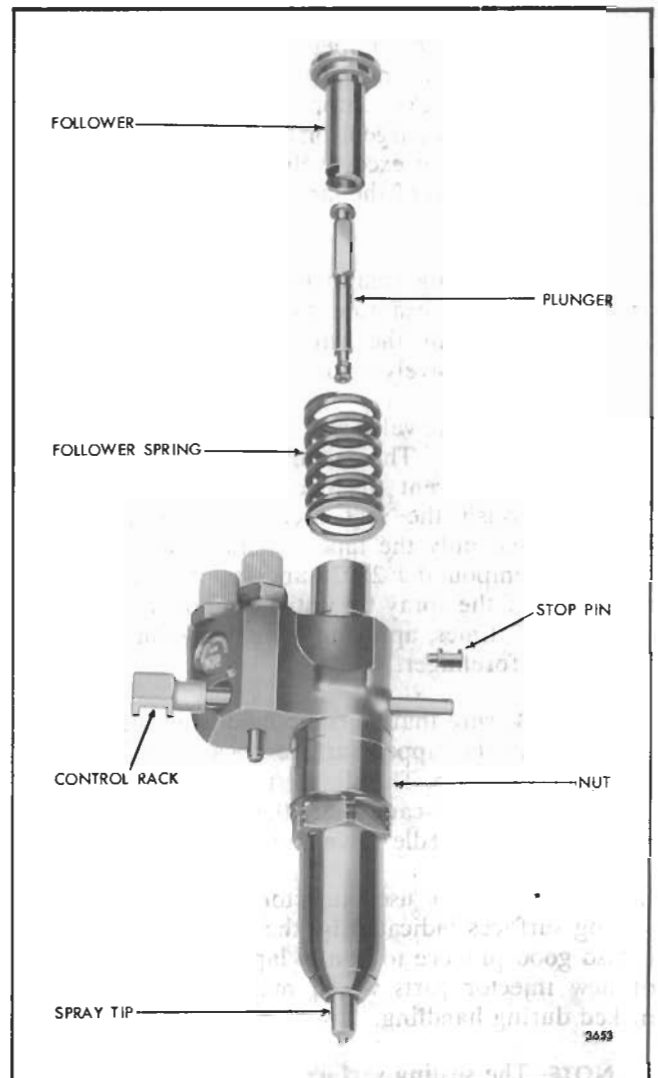


Fig. 38 - Injector Plunger, Follower and Relative Location of Parts

Examine the spray tip seating surface of the injector nut and spray tip for nicks, burrs, erosion or brinelling. Reseat the surface or replace the nut or tip if it is severely damaged.

The injector valve spring plays an important part in establishing the valve opening pressure of the injector assembly. Replace a worn or broken spring.

Inspect the sealing surfaces of the injector parts indicated by arrows in Fig. 31. Examine the sealing

Part Name	Minimum Thickness
Spray Tip (shoulder)	.199"
Check Valve Cage	.165" - .163"
Check Valve	.022"
Valve Spring Cage	.602"

TABLE 1 - Minimum Thickness (Used Parts)

surfaces with a magnifying glass as shown in Fig. 32 for even the slightest imperfections will prevent the injector from operating properly. Check for burrs, nicks, erosion, cracks, chipping and excessive wear. Also check for enlarged orifices in the spray tip. Replace damaged or excessively worn parts. Check the minimum thickness of the lapped parts as noted in the chart.

Examine the seating area of the needle valve for wear or damage. Also examine the needle quill and its contact point with the valve spring seat. Replace damaged or excessively worn parts.

Examine the needle valve seat area in the spray tip for foreign material. The smallest particle of such material can prevent the needle valve from seating properly. Polish the seat area with polishing stick J 22964. Coat only the tapered end of the stick with polishing compound J 23038 and insert it directly into the center of the spray tip until it bottoms. Rotate the stick 6 to 12 times, applying a light pressure with the thumb and forefinger.

NOTE: Be sure that no compound is accidentally placed on the lapped surfaces located higher up in the spray tip. The slightest lapping action on these surfaces can alter the near-perfect fit between the needle valve and tip.

Before re-installing used injector parts, lap all of the sealing surfaces indicated by the arrows in Fig. 31. It is also good practice to lightly lap the sealing surfaces of new injector parts which may become burred or nicked during handling.

NOTE: The sealing surface of current spray tips is precision lapped by a new process which leaves the surface with a dull satin-like finish; the lapped surface on former spray tips was bright and shiny (Fig. 34). It is not recommended to lap the surface of a *new* current spray tip.

Lapping Injector Parts

Lap the sealing surfaces indicated in Fig. 31 and Table 1 as follows:

1. Clean the lapping blocks (J 22090) with compressed air. Do not use a cloth or any other material for this purpose.
2. Spread a good quality 600 grit dry lapping powder on one of the lapping blocks.
3. Place the part to be lapped flat on the block as shown in Fig. 33 and, using a figure eight motion, move it back and forth across the block. Do not press

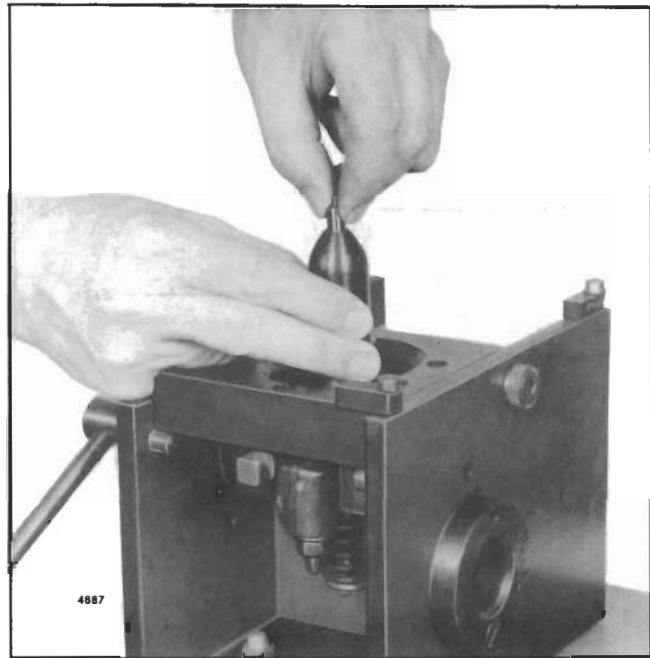


Fig. 39 - Tightening Injector Nut by Hand

on the part, but use just enough pressure to keep the part flat on the block. It is important that the part be kept flat on the block at all times.

4. After each four or five passes, clean the lapping powder from the part by drawing it across a clean piece of tissue placed on a flat surface and inspect the part. *Do not lap excessively* (refer to Table 1).

5. When the part is flat, wash it in cleaning solvent and dry it with compressed air.

6. Place the dry part on the second block. After applying lapping powder, move the part lightly across the block in a figure eight motion several times to give it a smooth finish. *Do not lap excessively*. Again wash the part in cleaning solvent and dry it with compressed air.

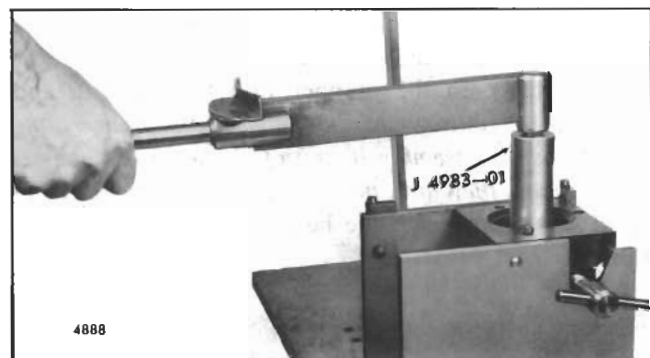


Fig. 40 - Tightening Injector Nut With Torque Wrench

7. Place the dry part on the third block. Do not use lapping powder on this block. **Keep the part flat and move it across the block several times, using the figure eight motion.** Lapping the dry part in this manner gives it the "mirror" finish required for perfect sealing.

8. Wash all of the lapped parts in clean fuel oil and dry them with compressed air.

ASSEMBLE INJECTOR

Use an extremely clean bench to work on and to place the parts when assembling an injector. Also be sure all of the injector parts, both new and used, are clean.

Study Figs. 35 through 38 for the proper relative position of the injector parts, then proceed as follows:

Assemble Injector Filters

Always use new filters and gaskets when reassembling an injector.

1. Insert a new filter, dimple end down, slotted end **up**, in each of the fuel cavities in the top of the injector body (Fig. 36).

NOTE: Install a new filter in the inlet side (located over the injector rack) in a fuel injector with an offset body. No filter is required in the outlet side of the offset body injector (Fig. 35).

2. Place a new gasket on each filter cap. **Lubricate the threads and install the filter caps. Tighten the filter caps to 65-75 lb-ft (88-102 Nm) torque with a 9/16" deep socket (Fig. 23).**

3. Purge the filters after installation by directing compressed air or fuel through the filter caps.

4. Install clean shipping caps on the filter caps to prevent dirt from entering the injector.

Assemble Rack and Gears

Refer to Fig. 37 and note the drill spot marks on the control rack and gear. Then proceed as follows:

1. **Hold the injector body, bottom end up, and slide the rack through the hole in the body. Look into the body bore and move the rack until you can see the drill marks. Hold the rack in this position.**

2. **Place the gear in the injector body so that the marked tooth is engaged between the two marked teeth on the rack (Fig. 37).**

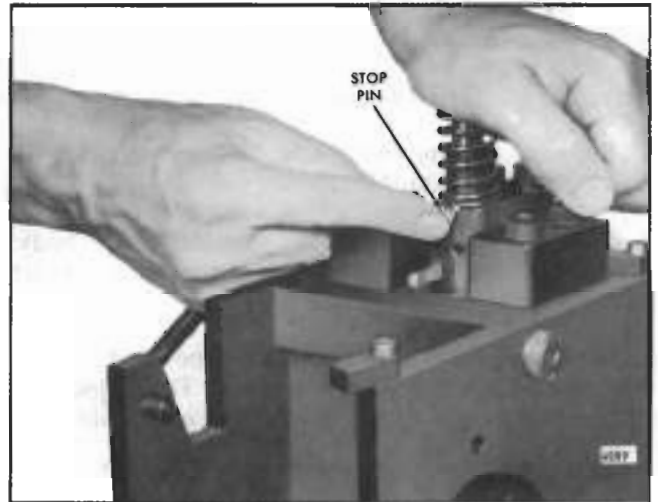


Fig. 41 - Installing Injector Follower Stop Pin

3. Place the gear retainer on top of the gear.

4. Align the locating pin in the bushing with the slot in the injector body, then slide the end of the bushing into place.

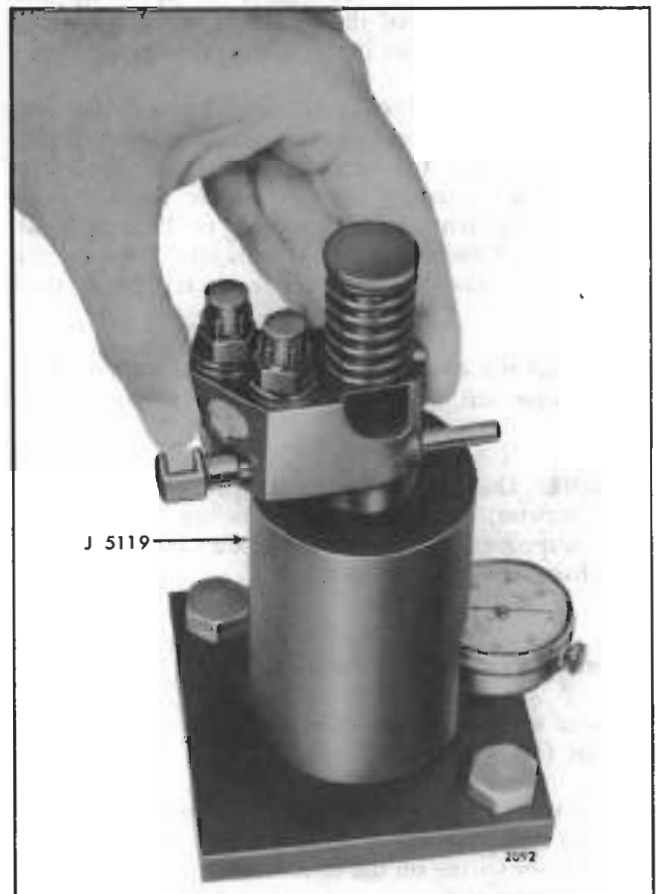


Fig. 42 - Checking Injector Spray Tip Concentricity

Assemble Spray Tip, Spring Cage and Check Valve Assemblies

Refer to Fig. 37 and assemble the parts as follows:

1. Support the injector body, bottom end up, in injector holding fixture J 22396.
2. Place a new seal ring on the shoulder of the body. Then place the spill deflector over the barrel of the bushing.
3. Place the check valve (without the .010" hole) centrally on the top of the bushing. Then place the check valve cage over the check valve and against the bushing.
4. Insert the spring seat in the valve spring, then insert the assembly into the spring cage, spring seat first.
5. Place the spring cage, spring seat and valve spring assembly (valve spring down) on top of the check valve cage.
6. Insert the needle valve, tapered end down, inside of the spray tip (Fig. 2). Then place the spray tip and needle valve on top of the spring cage with the quill end of the needle valve in the hole in the spring cage.
7. Lubricate the threads in the injector nut and carefully thread the nut on the injector body by hand. Rotate the spray tip between your thumb and first finger while threading the nut on the injector body (Fig. 39). Tighten the nut as tight as possible by hand. At this point there should be sufficient force on the spray tip to make it impossible to turn with your fingers.
8. Use socket J 4983-01 and a torque wrench to tighten the injector nut to 75-85 lb-ft (102-115 Nm) torque (Fig. 40).

NOTE: Do not exceed the specified torque. Otherwise, the nut may be stretched and result in improper sealing of the lapped surfaces in a subsequent injector overhaul.

Assemble Plunger and Follower

1. Refer to Fig. 38 and slide the head of the plunger into the follower.
2. Invert the injector in the assembly fixture (filter cap end up) and push the rack all the way in. Then place the follower spring on the injector body.
3. Refer to Fig. 41 and place the stop pin on the injector body so that the follower spring rests on the narrow flange of the stop pin. Then align the slot in

the follower with the stop pin hole in the injector body. Next align the flat side of the plunger with the slot in the follower. Then insert the free end of the plunger in the injector body. Press down on the follower and at the same time press the stop pin into position. When in place, the spring will hold the stop pin in position.

Check Spray Tip Concentricity

To assure correct alignment, check the concentricity of the spray tip as follows:

1. Place the injector in the concentricity gage J 5119 as shown in Fig. 42 and adjust the dial indicator to zero.
2. Rotate the injector 360° and note the total runout as indicated on the dial.
3. If the total runout exceeds .008", remove the injector from the gage. Loosen the injector nut, center the spray tip and tighten the nut to 75-85 lb-ft (102-115 Nm) torque. Recheck the spray tip concentricity. If, after several attempts, the spray tip cannot be positioned satisfactorily, replace the injector nut.

Test Reconditioned Injector

Before placing a reconditioned injector in service, perform all of the tests (except the visual inspection of the plunger) previously outlined under *Test Injector*.

The injector is satisfactory if it passes these tests. Failure to pass any one of the tests indicates that defective or dirty parts have been assembled. In this case, disassemble, clean, inspect, re-assemble and test the injector again.

Install Injector

Before installing an injector in an engine, remove the carbon deposits from the beveled seat of the injector tube in the cylinder head. This will assure correct alignment of the injector and prevent any undue stresses from being exerted against the spray tip.

Use injector tube bevel reamer J 5286-9, Section 2.1.4, to clean the carbon from the injector tube. Exercise care to remove ONLY the carbon so that the proper clearance between the injector body and the cylinder head is maintained. Pack the flutes of the reamer with grease to retain the carbon removed from the tube.

Be sure the fuel injector is filled with fuel oil. If necessary, add clean fuel oil at the inlet filter cap until it runs out of the outlet filter cap.

Install the injector in the engine as follows:

1. Refer to Fig. 6 and insert the injector into the injector tube with the dowel pin in the injector body registering with the locating hole in the cylinder head.
2. Slide the injector rack control lever over so that it registers with the injector rack.
3. Install the injector clamp, special washer (with curved side toward injector clamp) and bolt. Tighten the bolt to 20-25 lb-ft (27-34 Nm) torque. Make sure that the clamp does not interfere with the injector follower spring or the exhaust valve springs.

NOTE: Check the injector control rack for free movement. Excess torque can cause the control rack to stick or bind.

4. Move the rocker arm assembly into position and secure the rocker arm brackets to the cylinder head by tightening the bolts to the torque specified in Section 2.0.

NOTE: On four valve cylinder heads, there is a possibility of damaging the exhaust valves if the exhaust valve bridge is not resting on the ends of the exhaust valves when tightening the rocker shaft bracket bolts. Therefore, note the position of the exhaust valve bridge before, during and after tightening the rocker shaft bolts.

5. Remove the shipping caps. Then install the fuel pipes and connect them to the injector and the fuel connectors. Use socket J 8932-01 to tighten the connections to 12-15 lb-ft (16-20 Nm) torque.

IMPORTANT: Do not bend the fuel pipes and do not exceed the specified torque. Excessive tightening will twist or fracture the flared end of the fuel line and result in leaks. Lubricating oil diluted by fuel oil can cause serious damage to the engine bearings.

NOTE: An indication of fuel leakage at the fittings of the fuel injector supply lines and connector nut seals could be either low lubricating oil pressure (dilution) or fuel odor coming from the crankcase breathers or an open oil filler cap. When any of the above are detected, remove the valve rocker cover. A close inspection of the rocker cover, cylinder head, fuel lines and connectors will usually show if there is a fuel leakage problem. Under normal conditions, there should be a coating of lubricating oil throughout the cylinder head area and puddles of oil where the fuel pipes contact the connectors and where the fuel connectors contact the cylinder head. If these areas do not have the normal coating of lubricating oil, it is likely that fuel oil is leaking and washing off the lubricating oil. Remove and replace the leaking fuel pipes and/or connectors. Re-install the rocker cover. Then drain the lubricating oil and change the oil filter elements. Refer to Section 13.3 and refill the crankcase to the proper level with the recommended grade of oil.

6. Perform a complete engine tune-up as outlined in Section 14. However, if only one injector has been removed and replaced and the other injectors and the governor adjustment have not been disturbed, it will only be necessary to adjust the valve clearance and time the injector for the one cylinder, and to position the injector rack control lever.

FUEL INJECTOR TUBE

The bore in the cylinder head for the fuel injector is directly through the cylinder head water jacket as shown in Fig. 1. To prevent coolant from contacting the injector and still maintain maximum cooling of the injector, a tube is pressed into the injector bore. This tube is sealed at the top with a neoprene ring and upset into a flare on the lower side of the cylinder head to create water-tight and gas-tight joints at the top and bottom.

Remove Injector Tube

When removal of an injector tube is required, use injector tube service tool set J 22525 as follows:

1. Remove, disassemble and clean the cylinder head as outlined in Section 1.2.
2. Place the injector tube installer J 5286-4 in the injector tube. Insert the pilot J 5286-5 through the small opening of the injector tube and thread the pilot into the tapped hole in the end of the installer (Fig. 1).
3. Tap on the end of the pilot to loosen the injector tube. Then lift the injector tube, installer and pilot from the cylinder head.

Install Injector Tube

Thoroughly clean the injector tube hole in the cylinder head to remove dirt, burrs or foreign material that may prevent the tube from seating at the lower end or sealing at the upper end. Then install the tube as follows:

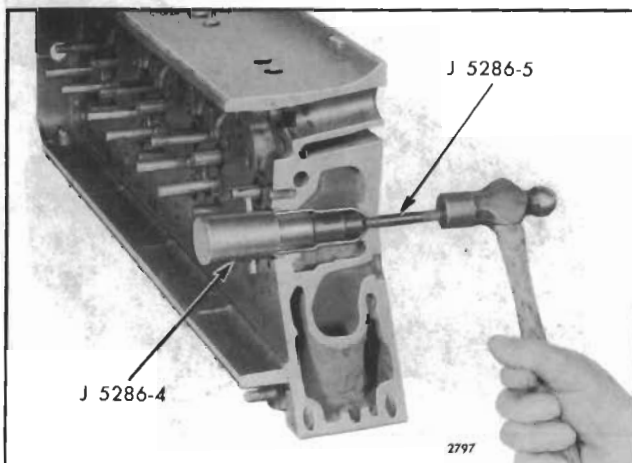


Fig. 1 - Removing Injector Tube

1. Place a new injector tube seal ring in the counterbore in the cylinder head.

2. Place the installer J 5286-4 in the injector tube. Then insert the pilot J 5286-5 through the small opening of the injector tube and thread it into the tapped end of the installer (Fig. 2).

3. Slip the injector tube into the injector bore and drive it in place as shown in Fig. 2. Sealing is accomplished between the head counterbore (inside diameter) and outside diameter of the injector tube. The tube flange is merely used to retain the seal ring.

4. With the injector tube properly positioned in the cylinder head, upset (flare) the lower end of the injector tube as follows:

- a. Turn the cylinder head bottom side up, remove the pilot J 5286-5 and thread the upsetting die J 5286-6 into the tapped end of the installer J 5286-4 (Fig. 3).
- b. Then, using a socket and torque wrench, apply approximately 30 lb-ft (41 Nm) torque on the upsetting die.
- c. Remove the installing tools and ream the injector tube as outlined below.

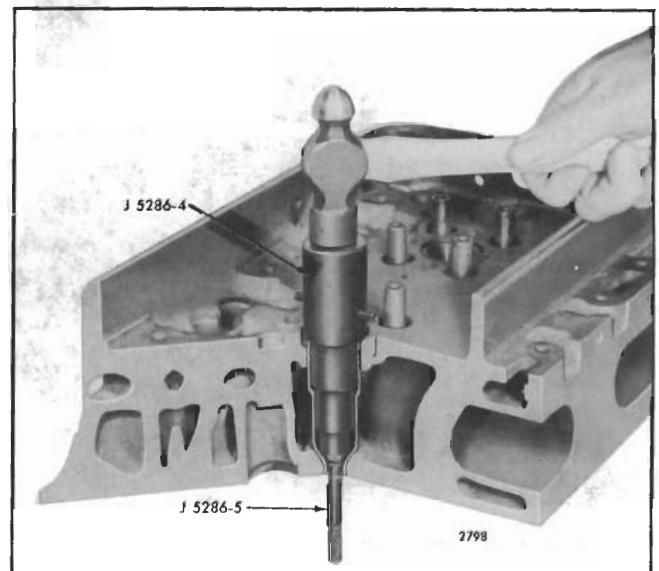


Fig. 2 - Installing Injector Tube

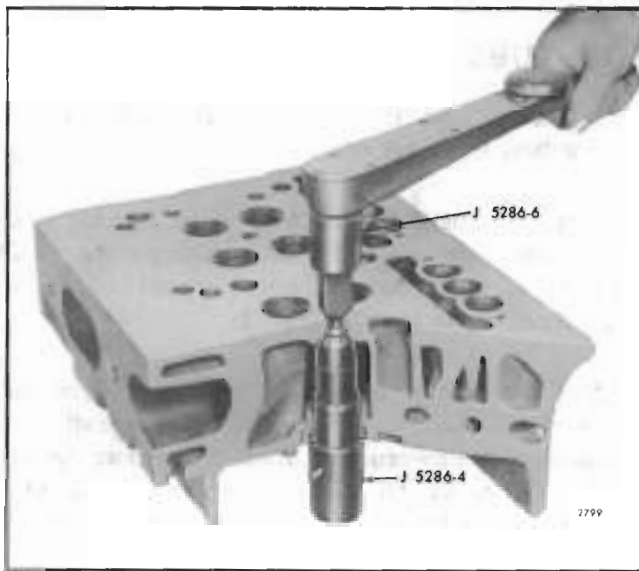


Fig. 3 - Upsetting Injector Tube

Ream Injector Tube

After an injector tube has been installed in a cylinder head, it must be finished in three operations: First, *hand reamed*, as shown in Fig. 4, to receive the injector body nut and spray tip; second, *spot-faced* to remove excess stock at the lower end of the injector tube; and third, *hand reamed*, as shown in Fig. 5, to provide a good seating surface for the bevel or the lower end of the injector nut. Reaming must be done carefully and without undue force or speed so as to avoid cutting through the thin wall of the injector tube.

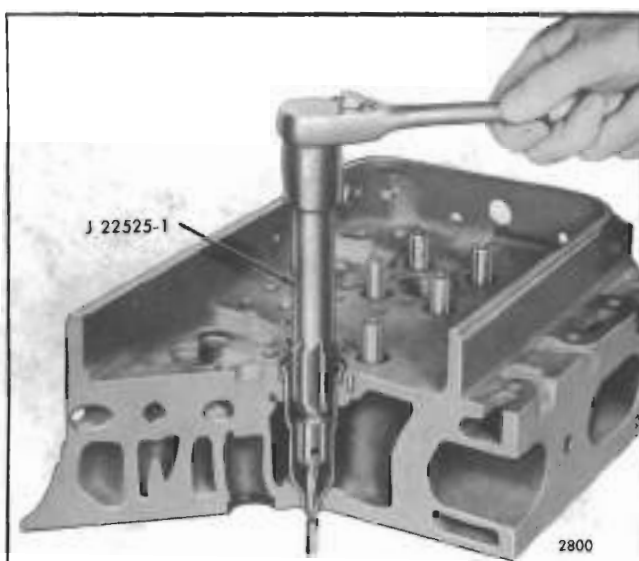


Fig. 4 - Reaming Injector Tube for Injector Body Nut and Spray Tip

NOTE: The reamer should be turned in a *clockwise direction* only, both when inserting and when withdrawing the reamer, because movement in the opposite direction will dull the cutting edges of the flutes.

1. Ream the injector tube for the injector nut and spray tip. With the cylinder head **right side up** and the injector tube free from dirt, proceed with the first reaming operation as follows:

- Place a few drops of light cutting oil on the reamer flutes, then carefully position the reamer J 22525-1 in the injector tube.
- Turn the reamer in a clockwise direction (withdrawing the reamer frequently for removal of chips) until the lower shoulder of the reamer contacts the injector tube (Fig. 4). Clean out all of the chips.

2. Remove excess stock:

- With the cylinder head bottom side up, insert the pilot of cutting tool J 5286-8 into the small hole of the injector tube.
- Place a few drops of cutting oil on the tool. Then, using a socket and a speed handle, remove the excess stock so that the lower end of the injector tube is from flush to .005" below the finished surface of the cylinder head.

3. Ream the bevel seat in the injector tube:

The tapered lower end of the injector tube must provide a smooth and true seat for the lower end of

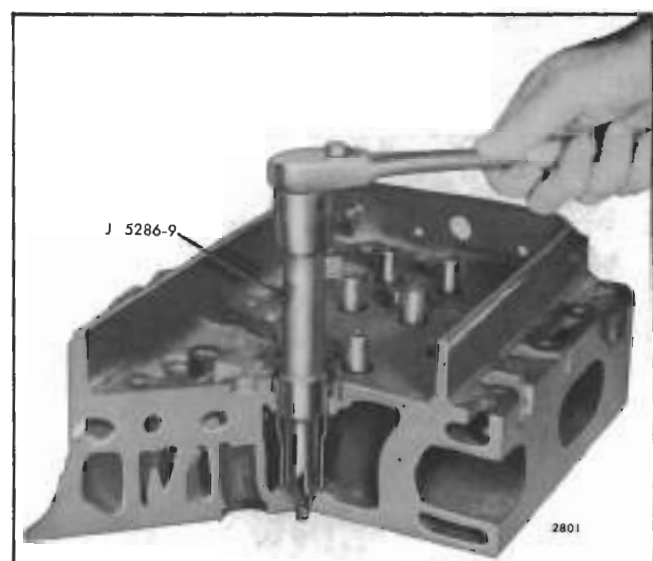


Fig. 5 - Reaming Injector Tube for Injector Nut

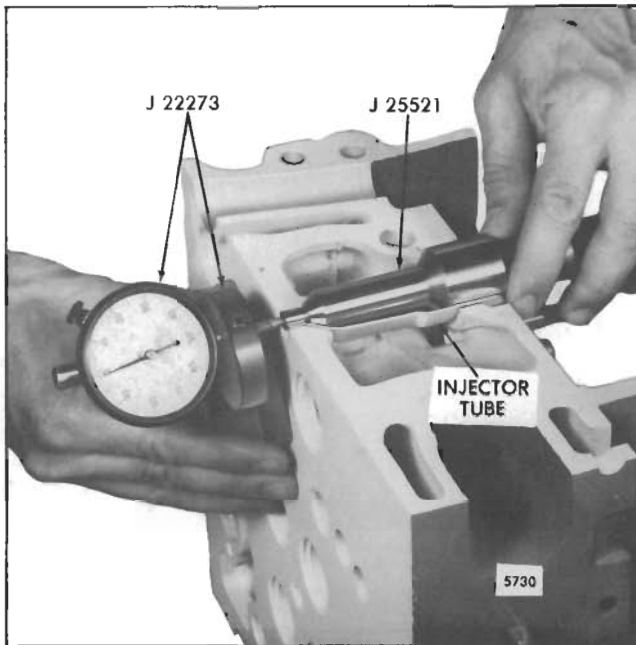


Fig. 6 - Measuring Relationship of Bevel Seat of Injector Tube to Fire Deck of Cylinder Head

the injector nut to effectively seal the cylinder pressures and properly position the injector tip in the combustion chamber. Therefore, to determine the amount of stock that must be reamed from the seat of the tube, refer to Fig. 6.

Install gage J 25521 in the injector tube. Zero the sled gage dial indicator J 22273 to the fire deck. Gage J 25521 should be flush $\pm .014''$ with the fire deck of the cylinder head (Fig. 7).

NOTE: Any fire deck re-surfacing work must be done prior to final injector tube seat gaging. Refer to Section 1.2 for re-surfacing instructions.

With the first reaming operation completed and the injector tube spot-faced, wash the interior of the injector tube with clean solvent and dry it with compressed air. Then perform the second reaming operation as follows:

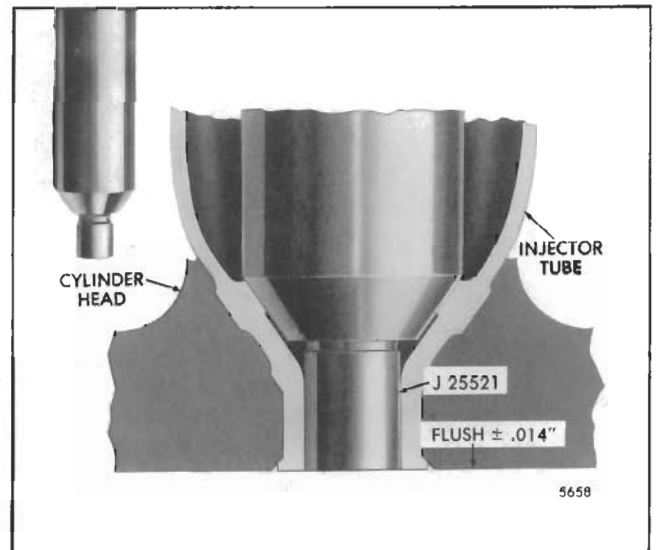
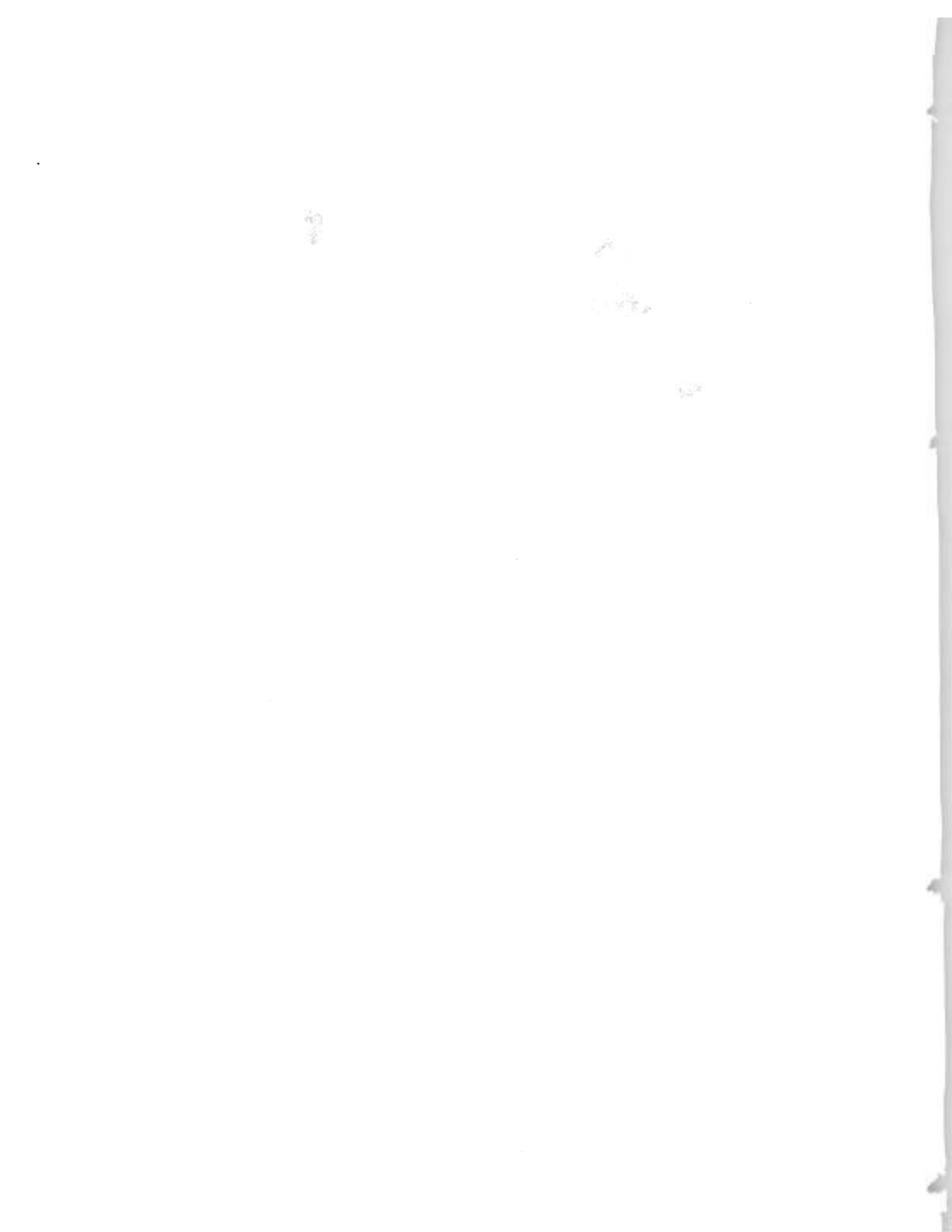


Fig. 7 - Measuring Relationship of Gage to Fire Deck of Cylinder Head

- a. Place a few drops of cutting oil on the bevel seat of the tube. Carefully lower the reamer J 5286-9 into the injector tube until it contacts the bevel seat.
- b. Make a trial cut by turning the reamer steadily without applying any downward force on the reamer. Remove the reamer, blow out the chips and look at the bevel seat to see what portion of the seat has been cut.
- c. Proceed carefully with the reaming operation, withdrawing the reamer occasionally to observe the reaming progress.
- d. Remove the chips from the injector tube and, using gage J 25521, continue the reaming operation until the shoulder of the spray tip is flush to $\pm .014''$ with the fire deck of the cylinder head as shown in Fig. 7. Then wash the interior of the injector tube with clean solvent and dry it with compressed air.



FUEL PUMP

The positive displacement gear-type fuel pump (Fig. 1) transfers fuel from the supply tank to the fuel injectors. The pump circulates an excess supply of fuel through the injectors which purges the air from the system and cools the injectors. The unused portion of fuel returns to the fuel tank by means of a fuel return manifold and fuel return line.

The fuel pump is attached to the governor housing with three nylon patch bolts which prevents the oil in the governor housing from seeping out around the bolt threads. The pump is driven off the end of the right-hand helix blower rotor by means of a drive coupling fork attached to the end of the pump drive shaft and mating with a drive disc attached to the blower rotor as shown in Fig. 2. The fuel pump is a left-hand rotating pump. Regardless of engine rotation, the pump will always rotate in a left-hand rotation.

Certain engine applications use a high-capacity fuel pump with 3/8" wide gears to increase fuel flow and reduce fuel spill temperature. The high-capacity fuel pump and the standard fuel pump with 1/4" wide gears may not be completely interchangeable; therefore, when replacing a standard pump with a high-capacity pump, the appropriate fuel lines and connections must be used.

The fuel pump cover and body are positioned by means of two dowels. The dowels aid in maintaining gear shaft alignment. The mating surface of the pump body and cover are perfectly flat ground surfaces. No

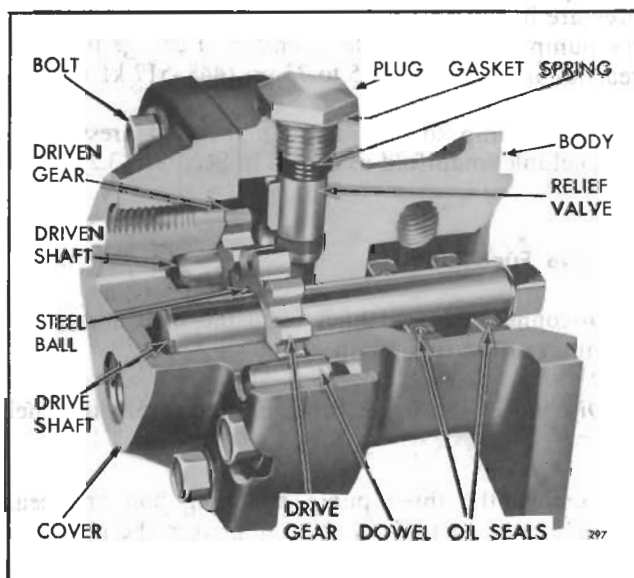


Fig. 1 - Typical Fuel Pump Assembly

gasket is used between the cover and body since the pump clearances are set up on the basis of metal-to-metal contact. A very thin coat of sealant provides a seal against any minute irregularities in the mating surfaces. Cavities in the pump cover accommodate the ends of the drive and driven shafts.

The fuel pump body is recessed to provide running space for the pump gears (Fig. 3). Recesses are also provided at the inlet and outlet positions of the gears. The small hole "A" permits the fuel oil in the inlet side of the pump to lubricate the relief valve at its outer end and to eliminate the possibility of a hydrostatic lock which would render the relief valve inoperative. Pressurized fuel contacts the relief valve through hole "B" and provides for relief of excess discharge pressures. Fuel re-enters the inlet side of the pump through hole "C" when the discharge pressure is great enough to move the relief valve back from its seat. Part of the relief valve may be seen through hole "C". The cavity "D" provides escape for the fuel oil which is squeezed out of the gear teeth as they mesh together on the discharge side of the pump. Otherwise, fuel trapped at the root of the teeth would tend to force the gears apart, resulting in undue wear on the gears, shafts, body and cover.

Two oil seals pressed into the bore in the flanged side of the pump body to retain the fuel oil in the pump and the lubricating oil in the governor housing (Fig. 4). The oil seals are installed with the lips of the seals facing toward the flanged end of the pump body. A small hole "E" (Fig. 3) serves as a vent passageway in the body, between the inner oil seal and the suction side of the pump, which prevents building up any fuel oil pressure around the shaft ahead of the inner seal.

However, in certain applications, where the fuel supply tank is mounted at a level higher than the fuel pump on the engine, the inner seal is installed with the lip of the seal facing the gear pocket (Fig. 4). In this case, the inner seal will prevent seepage of fuel oil along the pump shaft and out the drain hole in the pump body, especially when the engine is shut down. Fuel pumps with this seal arrangement are identified by a "star" stamped on the ground face of the pump cover. However, a standard pump may be reworked for use in such applications by removing the two oil seals and installing new seals with the lips facing away from each other.

Some fuel oil seepage by the fuel pump seals can be expected, both with a running engine and immediately after an engine has been shut down. This is especially true with a new fuel pump and/or new pump seals, as the seals have not yet conformed to the pump drive

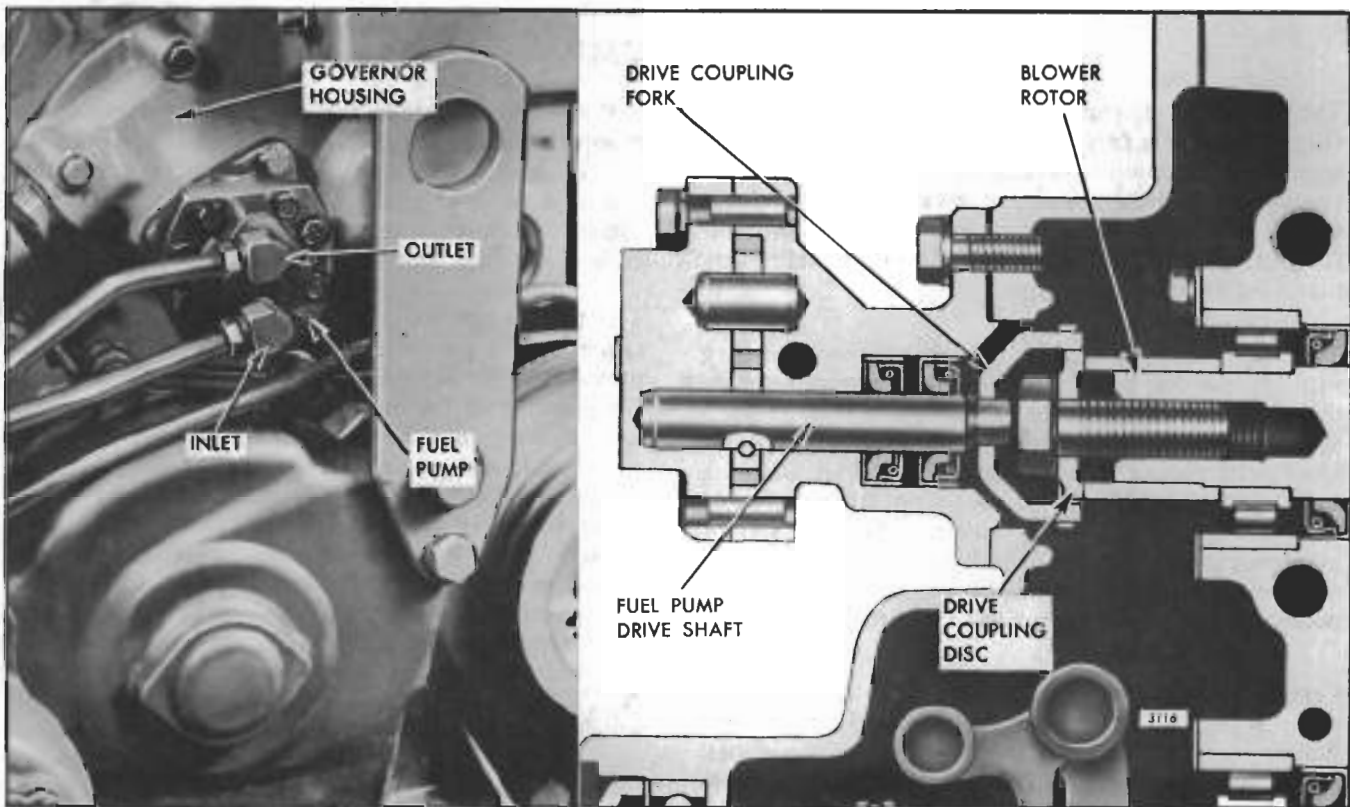


Fig. 2 - Typical Fuel Pump Mounting and Drive

shaft. Fuel pump seals will always allow some seepage. Tapped holes in the pump body are provided to prevent fuel oil from being retained between the seals. Excessive fuel retention between the seals could provide enough pressure to cause engine oil dilution by fuel, therefore, drainage of the excess fuel oil is mandatory. However, if leakage exceeds one drop per minute, replace the seals.

The drive and driven gears are a line-to-line to .001" press fit on their shafts. The drive gear is provided with a gear retaining ball to locate the gear on the shaft (Fig. 2).

A spring-loaded relief valve incorporated in the pump body normally remains in the closed position, operating only when pressure on the outlet side (to the fuel filter) reaches approximately 65 psi (448 kPa).

Operation

In operation, fuel enters the pump on the suction side and fills the space between the gear teeth which are exposed at that instant. The gear teeth then carry the fuel oil to the discharge side of the pump and, as the gear teeth mesh in the center of the pump, the fuel oil is forced out into the outlet cavity. Since this is a

continuous cycle and fuel is continually being forced into the outlet cavity, the fuel flows from the outlet cavity into the fuel lines and through the engine fuel system under pressure.

The pressure relief valve relieves the discharge pressure by by-passing the fuel from the outlet side of the pump to the inlet side when the discharge pressure reaches approximately 65 to 75 psi (448-517 kPa).

The fuel pump should **maintain** the fuel pressure at the fuel inlet manifold as **shown** in Section 13.2.

Remove Fuel Pump

1. Disconnect the **fuel lines** from the inlet and outlet openings of the **fuel pump**.
2. Disconnect the **drain tube**, if used, from the fuel pump.
3. Remove the three **pump attaching bolt** and seal assemblies and withdraw the **pump** from the governor housing.
4. Check the **drive coupling fork** and, if broken or worn, replace it with a new **coupling**.

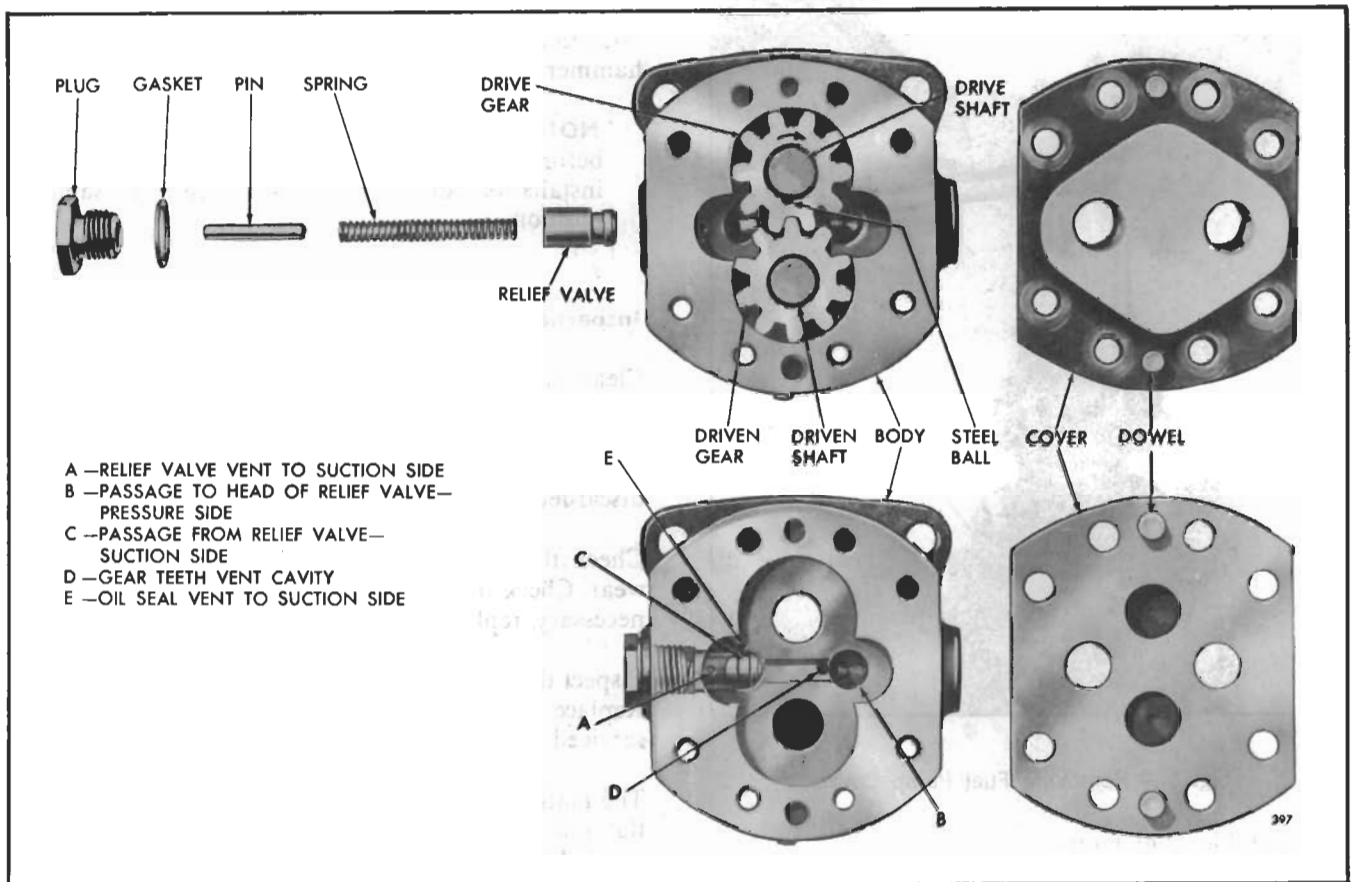


Fig. 3 - Fuel Pump Valving and Rotation

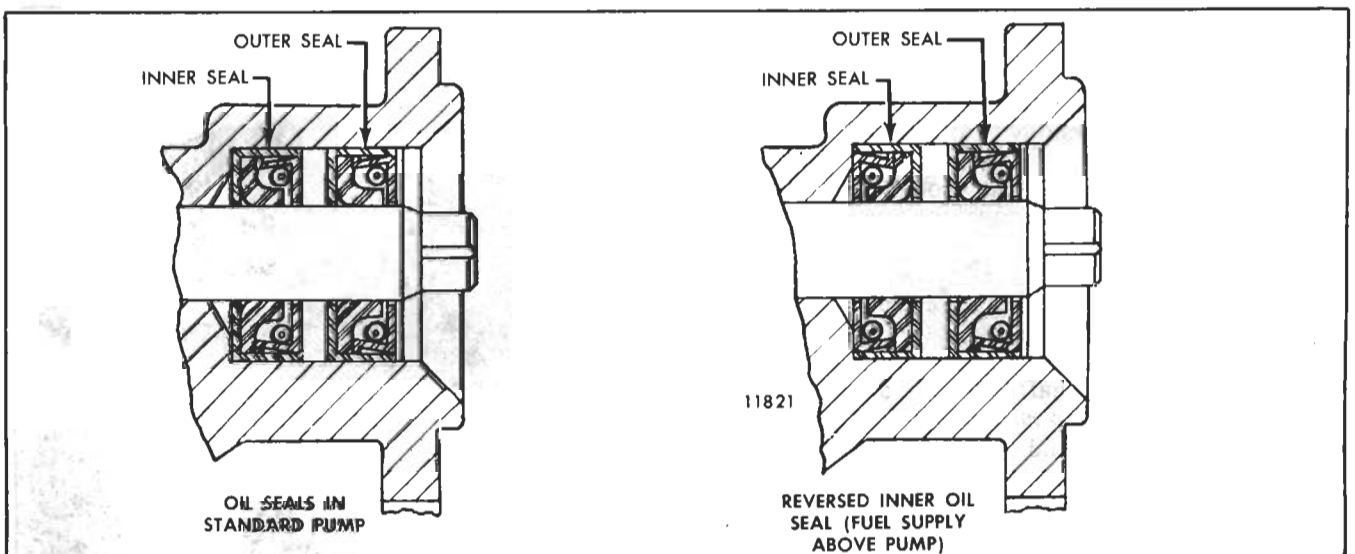


Fig. 4 - Fuel Pump Oil Seal Arrangements

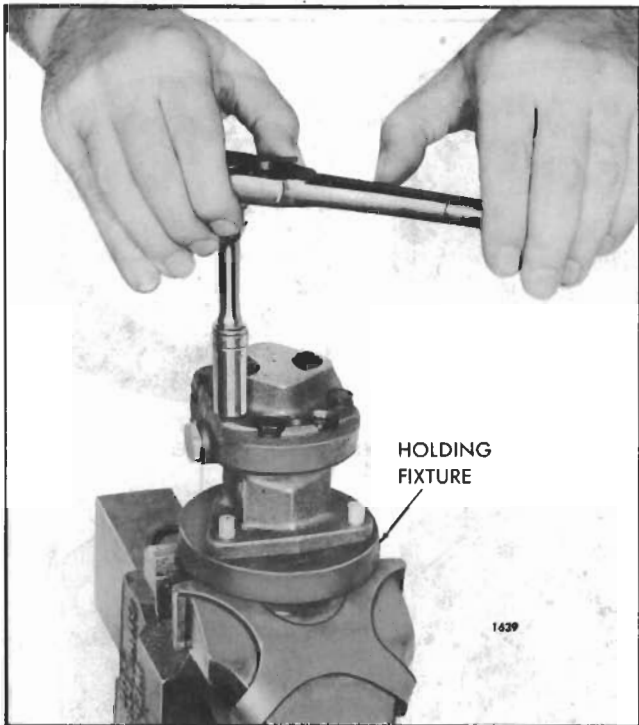


Fig. 5 - Removing Fuel Pump Cover

Disassemble Fuel Pump

With the fuel pump removed from the engine and mounted in holding fixture J 1508-10 as shown in Fig. 5, refer to Figs. 1 and 7 and disassemble the pump as follows:

1. Remove eight cover bolts and withdraw the pump cover from the pump body. Use care not to damage the finished faces of the pump body and cover.
2. Withdraw the drive shaft, drive gear and gear retaining ball as an assembly from the pump body.
3. Press the drive shaft just far enough to remove the steel locking ball. Then invert the shaft and gear assembly and press the shaft from the gear. *Do not misplace the steel ball.* Do not press the squared end of the shaft through the gear as slight score marks will damage the oil seal contact surface.
4. Remove the driven shaft and gear as an assembly from the pump body. *Do not remove the gear from the shaft.* The driven gear and shaft are serviced only as an assembly.
5. Remove the relief valve plug and copper gasket.
6. Remove the valve spring, pin and relief valve from the valve cavity in the pump body.
7. If the oil seals need replacing, remove them with oil

seal remover J 1508-13 (Fig. 6). Clamp the pump body in a bench vise and tap the end of the tool with a hammer to remove the outer and inner seals.

NOTE: Observe the position of the oil seal lips before removing the old seals to permit installation of the new seals in the same position.

Inspection

Clean all of the parts in clean fuel oil and dry them with compressed air.

Oil seals, once removed from the pump body, must be discarded and replaced with new seals.

Check the pump gear teeth for scoring, chipping or wear. Check the ball slot in the drive gear for wear. If necessary, replace the gear.

Inspect the drive and driven shafts for scoring or wear. Replace the shafts if necessary. The driven shaft is serviced as a gear and shaft assembly only.

The mating faces of the pump body and cover must be flat and smooth and fit tightly together. Any scratches or slight damage may result in pressure leaks. Also check for wear at areas contacted by the gears and shafts. Replace the pump cover or body, if necessary.

The relief valve must be free from score marks and burrs and fit its seat in the pump body. If the valve is

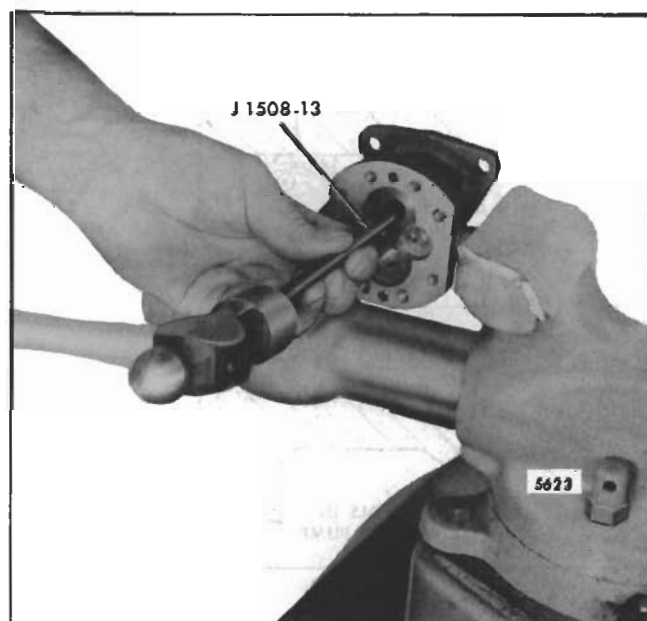


Fig. 6 - Removing Oil Seals

scored and cannot be cleaned up with fine emery cloth or crocus cloth, it must be replaced.

Current standard fuel pumps (with 1/4" wide gears) incorporate a 1/8" shorter pump body with three drain holes, a 1/8" shorter drive shaft and a cover with a 3/8" inlet opening. When replacing a former pump, a 3/8" x 1/4" reducing bushing is required for the inlet opening and the unused drain holes must be plugged.

Assemble Fuel Pump

Refer to Figs. 1, 3 and 7 and assemble the pump as follows:

1. Lubricate the lips of the oil seals with a light coat of vegetable shortening, then install the oil seals in the pump body as follows:

- a. Place the inner oil seal on the pilot of the installer handle J 1508-8 so that the lip of the seal will face in the same direction as the original seal which was removed, or according to the application as previously described.

- b. With the pump body supported on wood blocks (Fig. 8), insert the pilot of the installer handle in the pump body so the seal starts straight into the pump flange. Then drive the seal in until it bottoms.

- c. Place the shorter end of the adaptor J 1508-9 over the pilot and against the shoulder of the installer handle. Place the outer oil seal on the pilot of the installer handle with the lip of the seal facing the adaptor. Then insert the pilot of the installer handle into the pump body and drive the seal in (Fig. 9) until the shoulder of the adaptor contacts the pump body. Thus the oil seals will be positioned so that the space between them will correspond with the drain holes located in the bottom of the pump body.

2. Clamp the pump body in a bench vise (equipped with soft jaws) with the valve cavity up. Lubricate the outside diameter of the valve and place it in the cavity with the hollow end up. Insert the spring inside of the valve and the pin inside of the spring. With a new gasket in place next to the head of the valve plug, place the plug over the spring and thread it into the pump body. Tighten the 1/2"-20 plug to 18-22 lb-ft (24-30 Nm) torque.

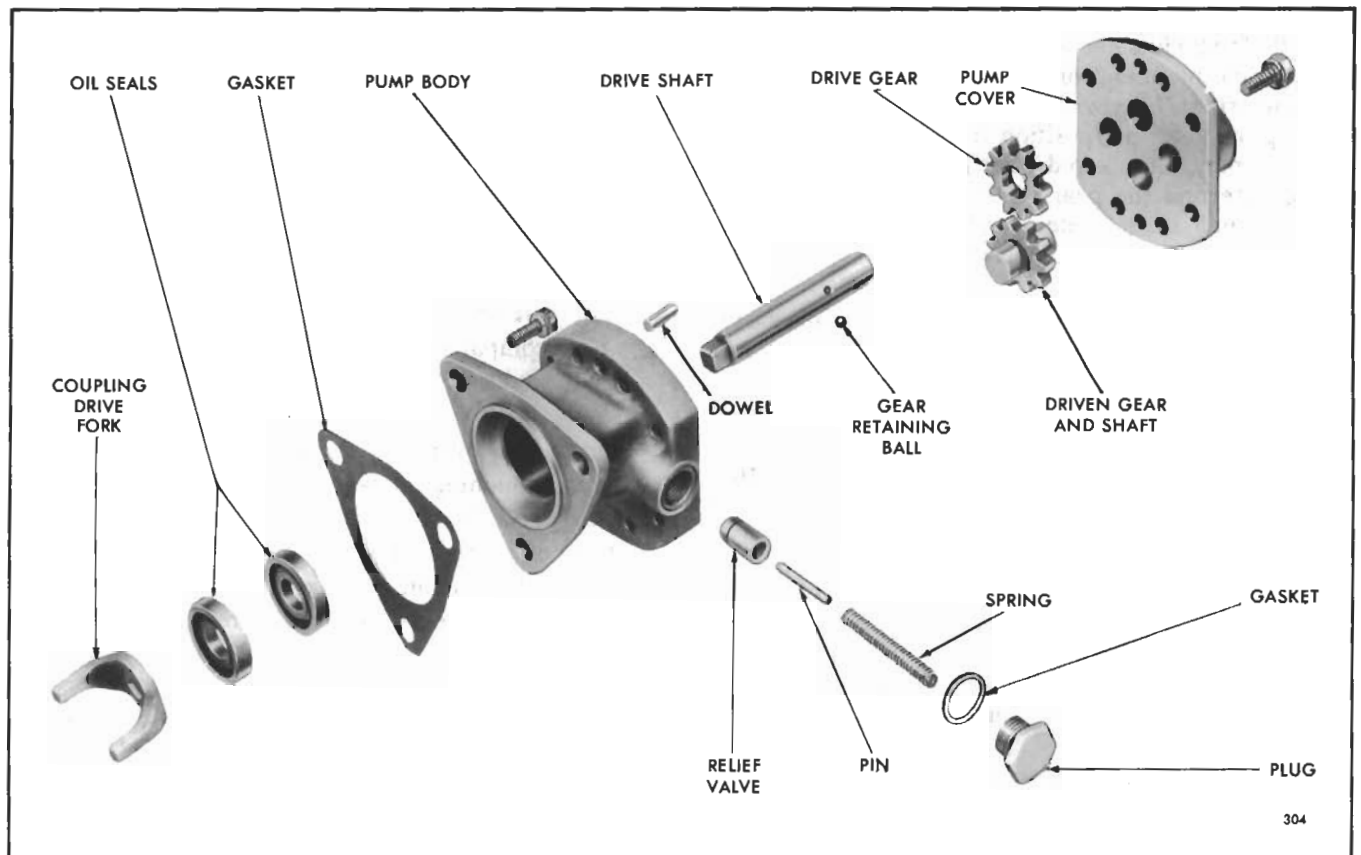


Fig. 7 - Fuel Pump Details and Relative Location of Parts

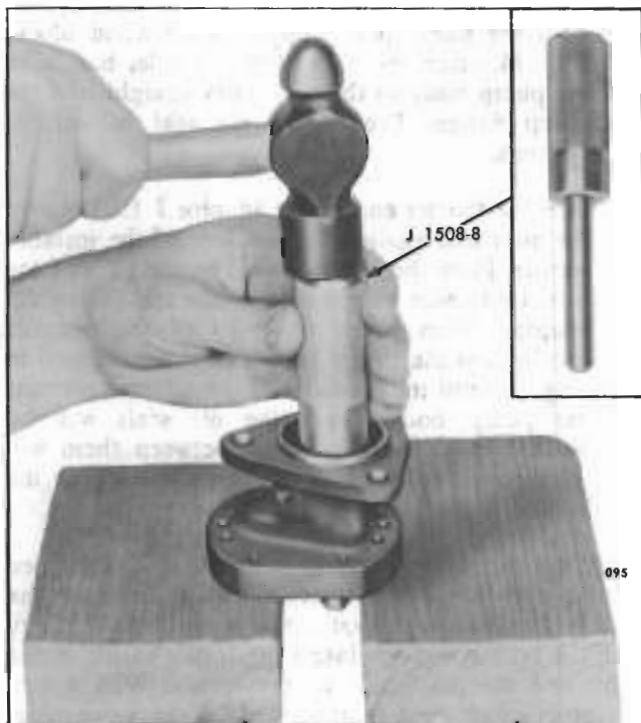


Fig. 8 - Installing Inner Oil Seal

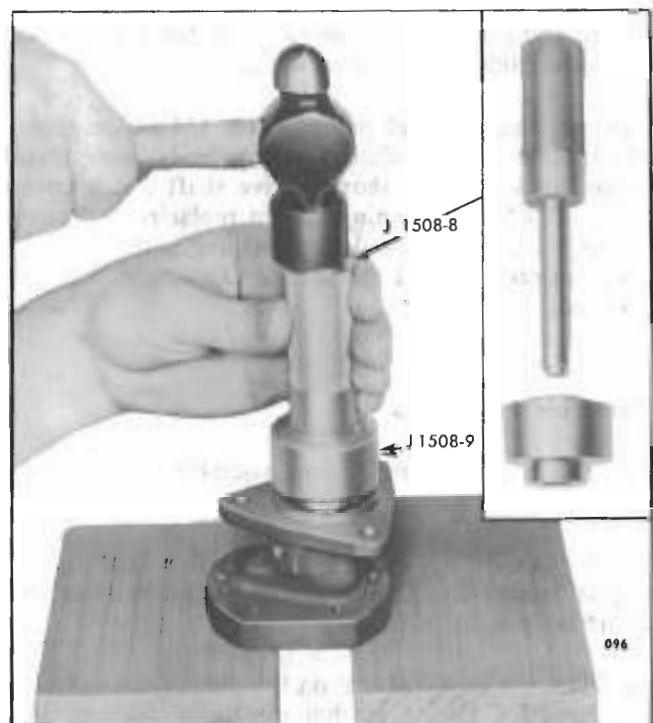


Fig. 9 - Installing Outer Oil Seal

3. Install the fuel pump drive gear over the end of the drive shaft which is not squared (so the slot in the gear will face the plain end of the shaft). This operation is very important, otherwise fine score marks caused by pressing the gear into position from the square end of the shaft may cause rapid wear of the oil seals. Press the gear beyond the gear retaining ball detent. Then place the ball in the detent and press the gear back until the end of the slot contacts the ball.

4. Lubricate the pump shaft and insert the square end of the shaft into the opening at the gear side of the pump body and through the oil seals as shown in Fig. 10.

5. Place the driven shaft and gear assembly in the pump body.

NOTE: The driven gear must be centered on the shaft to give proper end clearance. Also, the chamfered end of the gear teeth of the production gear must face the pump body. If a service replacement gear with a slot is used, the slot must face toward the pump cover.

6. Lubricate the gears and shafts with clean engine oil.

7. Apply a thin coat of quality sealant on the face of the pump cover outside of the gear pocket area. Then place the cover against the pump body with the two dowel pins in the cover entering the holes in the pump

body. The cover can be installed in only one position over the two shafts.

NOTE: The coating of sealant must be extremely thin since the pump clearances have been set up on the basis of metal-to-metal contact. Too much sealant could increase the clearances and affect efficiency of the pump. Use care that sealant is not squeezed into the gear compartment, otherwise damage to the gears and shafts may result.

8. Secure the cover in place with eight bolts and lock washers, tightening the bolts alternately and evenly.

9. After assembly, rotate the pump shaft by hand to make certain that the parts rotate freely. If the shaft does not rotate freely, attempt to free it by tapping a corner of the pump.

10. Install 1/8" pipe plugs in the upper unused drain holes.

11. If the pump is not to be installed immediately, place plastic shipping plugs in the inlet and outlet openings to prevent dirt or other foreign material from entering the pump.

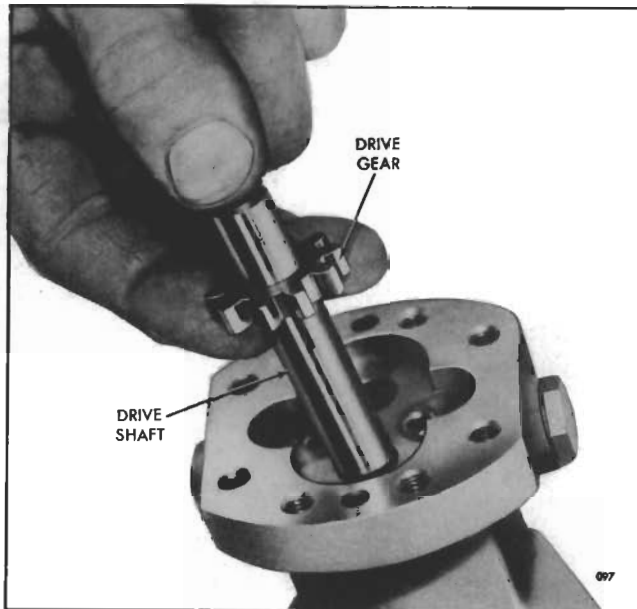


Fig. 10 - Installing Fuel Pump Drive Shaft and Gear Assembly

Install Fuel Pump

The pump must always be installed with the inlet opening in the pump cover (marked "L.H. IN") next to the balance weight cover on 6V and 8V engines. Refer to Fig. 2 and note that the fuel pump is bolted to the governor housing and is driven by the drive coupling fork and the drive disc which is attached to the blower rotor. Refer to Fig. 11 when installing the fuel pump on a 16V engine. Install the pump as follows:

1. Affix a new gasket to the pump body mounting flange. Then place the drive coupling fork on the square end of the drive shaft.
2. Place the fuel pump against the governor housing, being certain that the drive coupling fork registers with the slots in the drive disc.
3. Secure the pump to the governor housing with three nylon patch bolts.

NOTE: To provide improved sealing against leakage, nylon patch bolts are used in place of the former bolt and seal assemblies.
4. If removed, install the fuel inlet and outlet elbows in the pump cover.
5. Connect the inlet and outlet fuel lines to the fuel pump elbows.
6. Connect the fuel pump drain tube, if used, to the pump body.
7. If the fuel pump is replaced or rebuilt, prime the fuel system before starting the engine. This will prevent the possibility of pump seizure upon initial starting.

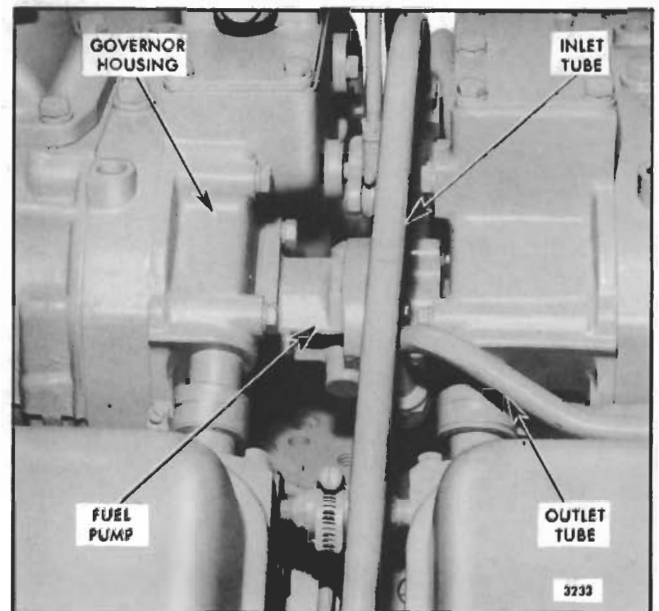


Fig. 11 - Typical Fuel Pump Mounting (16V Engine)

FUEL STRAINER AND FUEL FILTER

A fuel strainer (primary) and fuel filter (secondary), Figs. 1 and 2, are used to remove impurities from the fuel. The fuel strainer is located between the fuel tank and the fuel pump. The replaceable density-type element is capable of filtering out moisture, sludge and other coarse debris. The fuel filter is installed between the fuel pump and the fuel inlet manifold. The replaceable paper-type element (Fig. 4) can remove particles as small as 10 microns.

CAUTION: A fuel tank of galvanized steel should never be used for fuel storage, as the fuel oil reacts chemically with the zinc coating to form powdery flakes which quickly clog the fuel filter and cause damage to the fuel pump and the fuel injectors.

The fuel strainer and fuel filter are essentially the same in construction and operation, and they will be treated as one in this section.

The filter and strainer, illustrated in Figs. 3 and 4, consist basically of a shell, a cover, and a replaceable filtering element. The assembly is made oil tight by a shell gasket, a cover nut or bolt, and a cover nut or bolt gasket.

The central stud is a permanent part of the shell and, when the unit is assembled, extends up through the

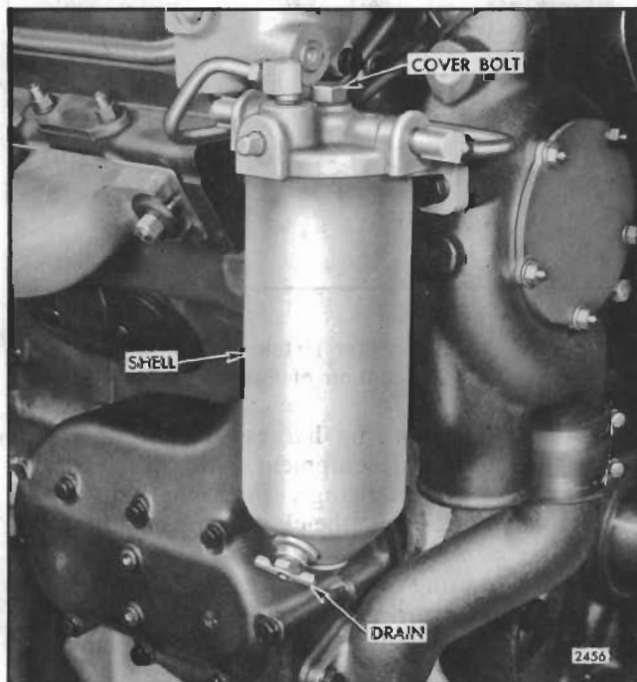


Fig. 1 - Typical Mounting of Fuel Filter

cover where the nut or bolt holds the assembly together.

A filter element sets over the central stud inside the shell and is centered in the shell by the stud.

Operation

Since the fuel strainer is between the fuel supply tank and the fuel pump, it functions under suction. The fuel filter, placed between the fuel pump and the fuel inlet manifold in the cylinder head, operates under pressure. Fuel enters through the inlet passage in the cover and into the shell surrounding the filter element. Pressure or suction created by the pump causes the fuel to flow through the filter element where dirt particles are removed. Clean fuel flows to the interior of the filter element, up through the central passage in the cover and into the outlet passage, then to the fuel inlet manifold in the cylinder head.

If engine operation is erratic, indicating shortage of fuel or flow obstructions, refer to *Trouble Shooting* in Section 15.2 for corrective measures.

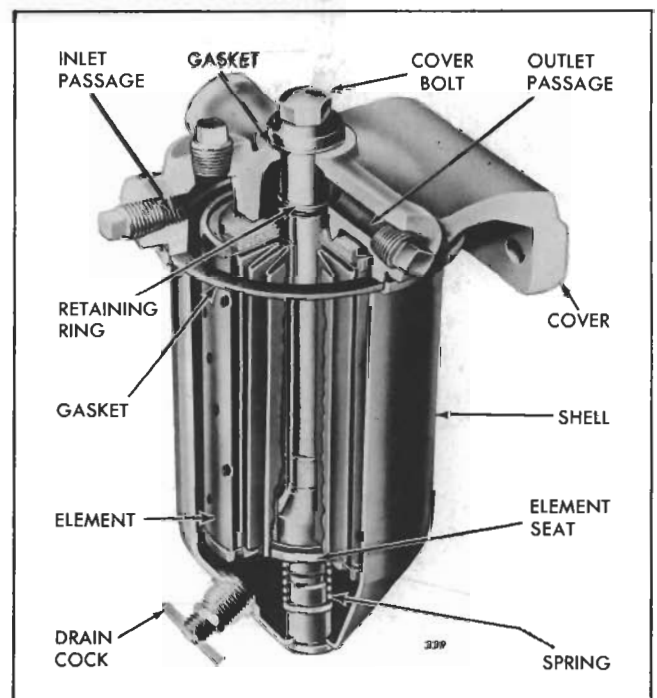


Fig. 2 - Fuel Filter Assembly

Replace Fuel Strainer or Filter Element

The procedure for replacing an element is the same for the fuel strainer or fuel filter. Refer to Figs. 3 and 4 and replace the element as follows:

CAUTION: Only filter elements designed for fuel oil filtration should be used to filter the fuel.

1. With the engine stopped, place a container under the strainer or filter and open the drain cock. Loosen the cover nut or bolt just enough to allow the fuel oil to drain out freely. Then close the drain cock.

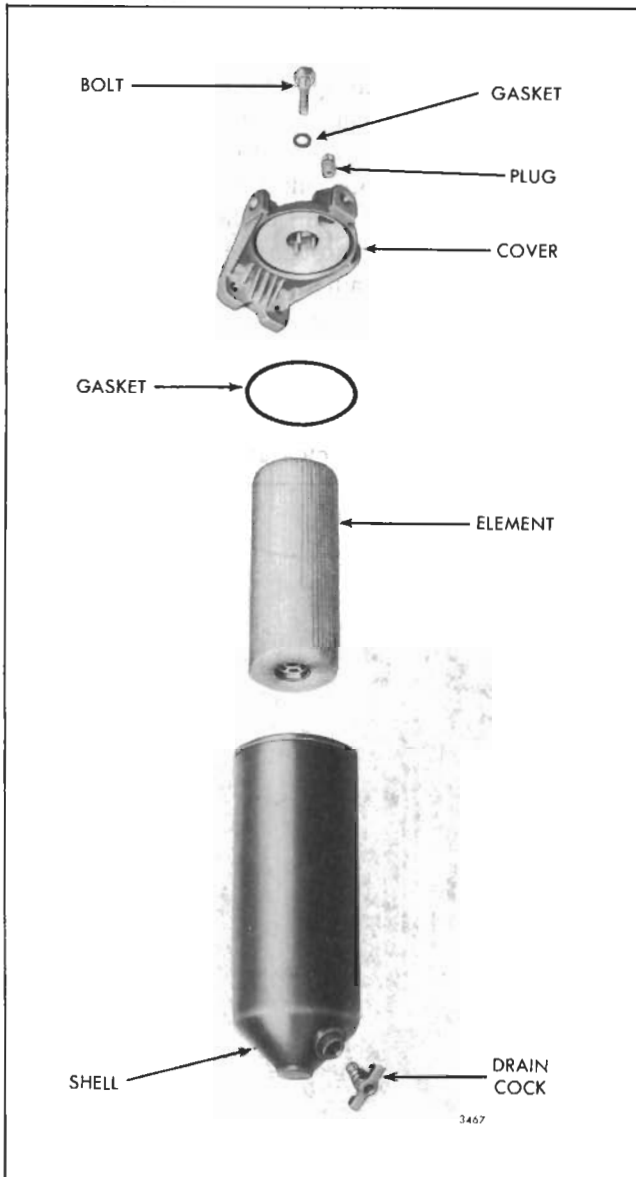


Fig. 3 - Typical Fuel Strainer Details

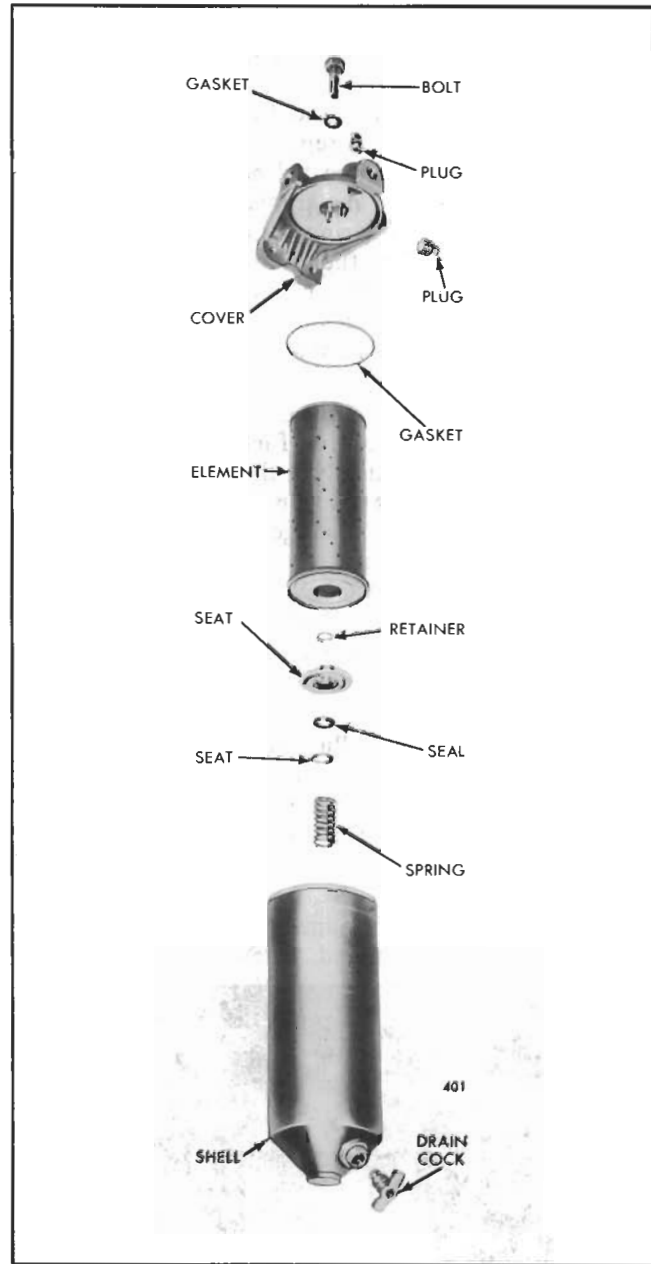


Fig. 4 - Fuel Filter Details and Relative Location of Parts

CAUTION: The wiring harness, starting motor or other electrical equipment must be shielded during the filter change, since fuel oil can permanently damage the electrical insulation.

2. While supporting the shell, unscrew the cover nut or bolt and remove the shell and element. Also remove and discard the cover nut retaining ring, if used.

3. Remove and discard the filter element and shell gasket, the cover nut or bolt gasket, and, if used, the cover bolt snap ring.

4. Wash the shell thoroughly with clean fuel oil and dry it with compressed air.

5. Examine the element seat and the retaining ring to make sure they have not slipped out of place. Check the spring by pressing on the element seat. When released, the seat must return against the retaining ring.

NOTE: The element seat, spring, washer and seal can not be removed from the strainer shell. If necessary, the shell assembly must be replaced. However, the components of the filter shell are serviced. Examine the filter retainer seal for cracks or hardening. If necessary, replace the seal.

6. Place a new element over the center stud and push it down against the element seat. Make sure the drain cock is closed, then fill the shell about two-thirds full with clean fuel oil.

NOTE: Thoroughly soak the density-type *strainer* element in clean fuel oil before installing it. This will expel any air entrapped in the element and is conducive to a faster initial start.

7. Place a new shell gasket in the recess of the shell; also place a new gasket on the cover nut or bolt.

8. Place the shell and element in position under the cover. Then thread the cover bolt (or nut) in the center stud.

9. With the shell and the gasket properly positioned, tighten the cover bolt or nut just enough to prevent fuel leakage.

10. Remove the pipe plug at the top of the cover and complete filling of the shell with fuel. Fuel system primer J 5956 may be used to prime the entire fuel system.

11. Start the engine and check the fuel system for leaks.

SPIN-ON TYPE FUEL FILTER

A spin-on type fuel strainer and fuel filter (Fig. 5) is used on certain engines. The spin-on filter cartridge consists of a shell, element and gasket combined into a

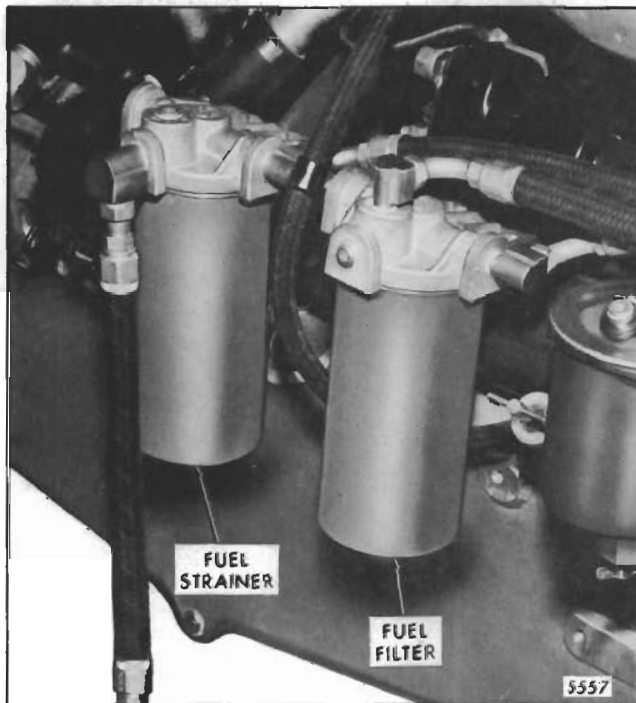


Fig. 5 - Typical Spin-On Filter Mounting

unitized replacement assembly. No separate springs or seats are required to support the filters.

The filter covers incorporate a threaded sleeve to accept the spin-on filter cartridges. The word "Primary" is cast on the fuel strainer cover and the word "Secondary" is cast on the fuel filter cover for identification.

No drain cocks are provided on the spin-on filters. Where water is a problem, it is recommended that a water separator be installed. Otherwise, residue may be drained by removing and inverting the filter. Refill the filter with clean fuel oil before reinstalling it.

Filter Replacement

A 1" diameter twelve-point nut on the bottom of the filter is provided to facilitate removal and installation.

Replace the filter as follows:

1. Unscrew the filter (or strainer) and discard it.
2. Fill a new filter replacement cartridge about two-thirds full with clean fuel oil. Coat the seal gasket lightly with clean fuel oil.
3. Install the new filter assembly and tighten it to two-thirds of a turn beyond gasket contact.
4. Start the engine and check for leaks.

FUEL COOLER

A fuel cooler may be mounted in the raw water system between the heat exchanger and the raw water pump, so that the fuel leaving the engine is cooled before it returns to the fuel tank.

Fuel continually cycling through an engine causes the fuel in the tank to become heated after extended operation. Excessive fuel temperatures can affect engine operation. An increase in fuel inlet temperature above 90° F (32.2° C) will result in a brake horsepower loss of approximately 2% per 20° F (6.67° C) increment fuel temperature increase.

Remove Fuel Cooler

1. Disconnect the flexible hoses at the fuel cooler.
2. Loosen hose clamps and slide hoses back on the raw water pump tubes.

Clean Fuel Cooler

Clean the water side of the fuel cooler by immersing it in a solution made as follows: add 1/2 pound of oxalic

acid to each 2-1/2 gallons of a solution composed of 1/3 muriatic acid and 2/3 water. The cleaning action is evident by the bubbling and foaming. Carefully observe the process and remove the cooler from the cleaning solution when the bubbling stops (this usually takes from 30 to 60 seconds) and thoroughly flush with clean, hot water.

Pressure Test Fuel Cooler

After the fuel cooler has been cleaned, it may be checked for leaks by plugging one of the fuel openings with a 1/4" pipe plug and attaching the air hose to the other opening. Apply approximately 100 psi (689 kPa) air pressure and submerge the cooler in a container of heated water (180° F or 82° C). Any leak will be indicated by air bubbles in the water. If leaks are indicated, replace the fuel cooler.

Install Fuel Cooler

Reverse the procedure for removing the fuel cooler.

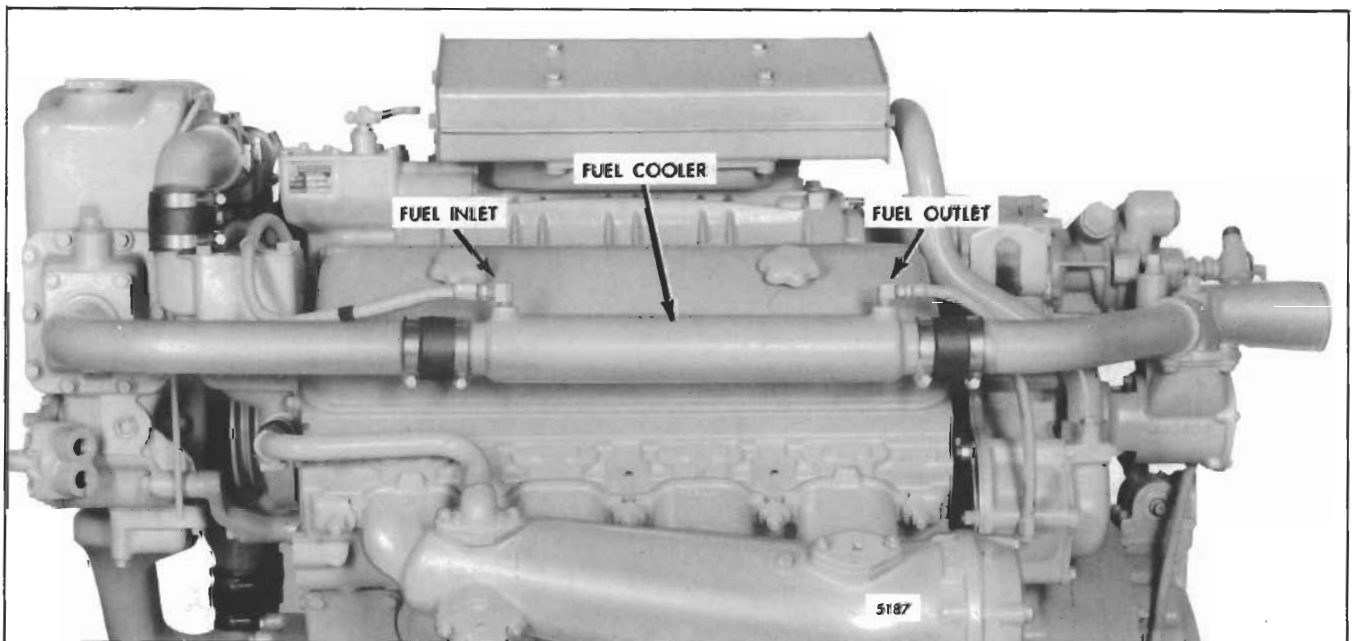


Fig. 1 - Fuel Cooler Mounting

1000
1000
1000
1000
1000

1000

1000

1000

1000

MECHANICAL GOVERNORS

Horsepower requirements on an engine may vary due to fluctuating loads. Therefore, some method must be provided to control the amount of fuel required to hold the engine speed reasonably constant during load fluctuations. To accomplish this control, a governor is introduced in the linkage between the throttle control and the fuel injectors. The governor is mounted on the front end of the blower and is driven by one of the blower rotors. The following types of mechanical governors are used:

1. Limiting Speed Mechanical Governor.

2. Variable Speed Mechanical Governor.

Engines requiring a minimum and maximum speed control, together with manually controlled intermediate speeds, are equipped with a limiting speed mechanical governor.

Engines subjected to varying load conditions that require an automatic fuel compensation to maintain a near constant engine speed, which may be changed manually by the operator, are equipped with a variable speed mechanical governor.

Each type of governor has an identification plate located on the control housing, containing the governor assembly number, type, idle speed range and drive ratio. The maximum engine speed, not shown on the identification plate, is stamped on the option plate attached to the valve rocker cover.

Check Governor Operation

Governor difficulties are usually indicated by speed variations of the engine. However, it does not necessarily mean that all such speed fluctuations are caused by the governor. Therefore, when improper speed variations are present, check the engine as follows:

1. Make sure the speed changes are not the result of excessive load fluctuations.

2. Check the engine to be sure that all of the cylinders are firing properly (refer to Section 15.2). If any cylinder is not firing properly, remove the injector, test

it and, if necessary, recondition it as outlined in Section 2.1.1.

3. Check for bind that may exist in the governor operating mechanism or in the linkage between the governor and the injector control tube.

With the fuel rod connected to the injector control tube lever, the mechanism should be free from bind throughout the entire travel of the injector racks. If friction exists in the mechanism, it may be located and corrected as follows:

1. If an injector rack sticks or moves too hard, it may be due to the injector hold-down clamp being too tight or improperly positioned. To correct this condition, loosen the injector clamp, reposition it and tighten the clamp bolt to 20-25 lb-ft (27-34 Nm) torque.

2. An injector which is not functioning properly may have a defective plunger and bushing or a bent injector rack. Recondition a faulty injector as outlined in Section 2.1.1.

3. An injector rack may bind as the result of an improperly positioned rack control lever. Loosen the rack control lever adjusting screws. If this relieves the bind, relocate the lever on the control tube and position the rack as outlined in Section 14.

4. The injector control tube may bind in its support brackets, thus preventing free movement of the injector racks to their no-fuel position due to tension of the return spring. This condition may be corrected by loosening and re-aligning the control tube supporting brackets. If the control tube support brackets were loosened, re-aligned and tightened, the injector racks must be repositioned as outlined in Section 14.

5. A bent injector control tube return spring may cause friction in the operation of the injector control tube. If the spring has been bent or otherwise distorted, install a new spring.

6. Check for bind at the pin which connects the fuel rod to the injector control tube lever; replace the pin, if necessary.

If, after making these checks, the governor fails to control the engine properly, remove and recondition the governor.

10

LIMITING SPEED MECHANICAL GOVERNOR

The limiting speed mechanical governor illustrated in Fig. 1 performs the following two functions:

1. Controls the engine idling speed.
2. Limits the maximum operating speed of the engine.

The limiting speed governors used on the V-92 engines are double-weight type.

Each governor has an identification plate located on the governor housing, containing the governor assembly number, type and idle range speed.

On 6 and 8V engines, the governor is mounted on the

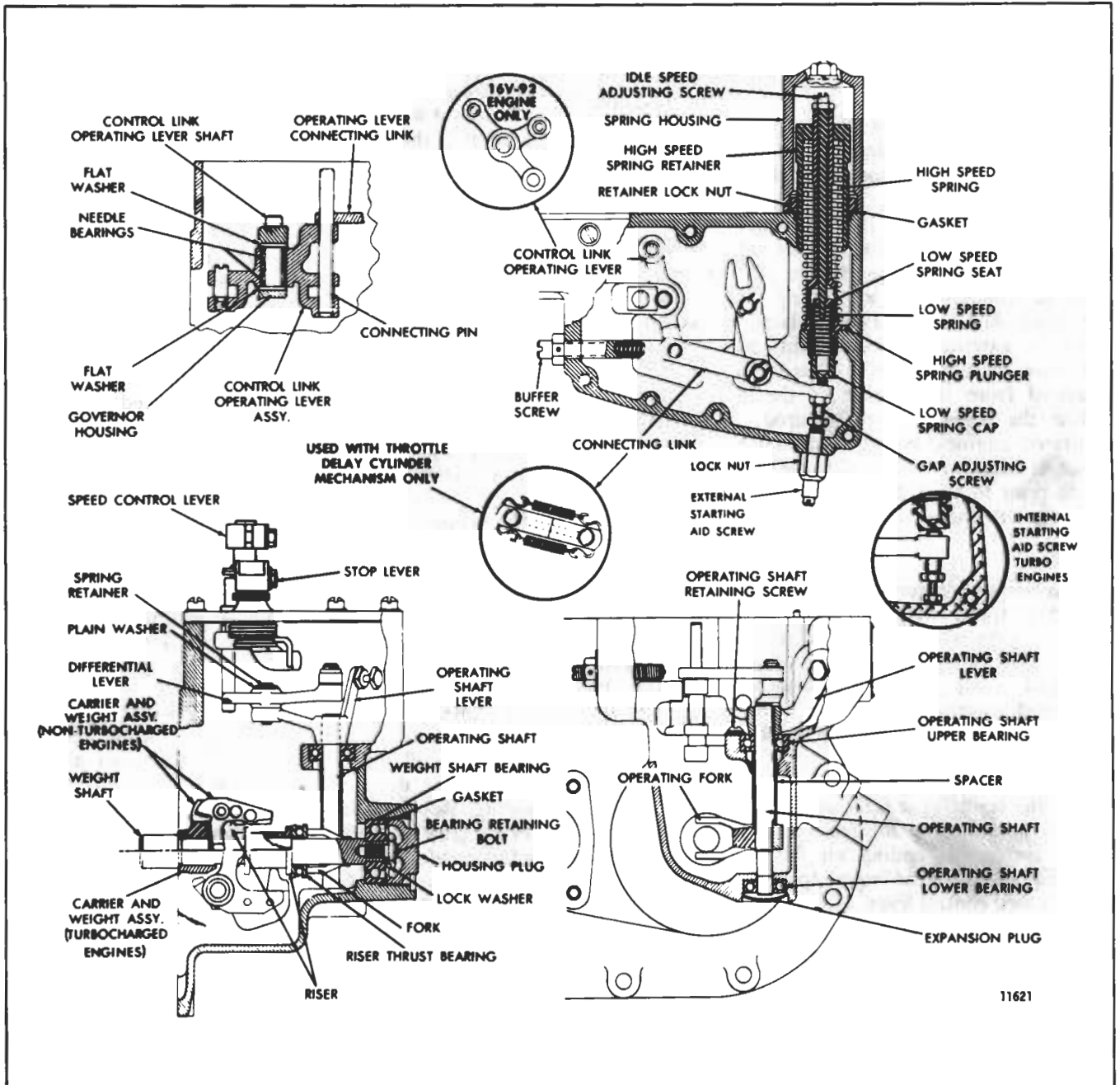


Fig. 1 - Cross Section of Limiting Speed Mechanical Governor

front end of the blower. On a 16V engine, the governor is mounted on the front end of the rear blower and the governor auxiliary drive housing is mounted on the rear end of the front blower. The governors are driven by a blower rotor.

The governor consists of two sub-assemblies.

1. Control Housing Cover.
2. Control and Weight Housing.

Operation

The governor holds the injector racks in the advanced fuel position for starting when the speed control lever is in the idle position. Immediately after starting, the governor moves the injector racks to that position required for idling.

To limit fuel input during engine start-up, when the speed control lever is in its idle position, the turbocharged engines use a starting aid screw. With governors dated June, 1974 or later, the starting aid screw is externally mounted in the front of the governor housing. It has a domed end and cannot be removed from the outside of the housing (Fig. 1). When the screw is not required, as in naturally aspirated engines, back it out as far as possible to make it ineffective. Turbocharged engine governors dated prior to June, 1974 include an internal starting aid screw threaded into the low-speed gap adjusting screw.

The centrifugal force of the revolving governor low and high-speed weights (Fig. 1) is converted into linear motion which is transmitted through the riser and the operating shaft to the operating shaft lever. One end of this lever operates against the high and low-speed springs through the spring cap, while the other end provides a moving fulcrum on which the differential lever pivots.

When the centrifugal force of the revolving governor weights balances out the tension on the high or low-speed spring (depending on the speed range), the governor stabilizes the engine speed for a given setting of the speed control lever.

In the low-speed range, the centrifugal force of the low and high-speed weights together operate against the low-speed spring. As the engine speed increases, the centrifugal force of the low and high-speed weights together compress the low-speed spring until the low-speed weights are against their stops, thus limiting their travel, at which time the low-speed spring is fully compressed and the low-speed spring cap is within .0015" of the high-speed spring plunger.

Throughout the intermediate speed range the operator has complete control of the engine because both the low-speed spring and the low-speed weights are against their stops, and the high-speed weights are not exerting enough force to overcome the high-speed spring.

As the speed continues to increase, the centrifugal force of the high-speed weights increases until this force can overcome the high-speed spring and the governor again takes control of the engine, limiting the maximum engine speed.

Fuel rods are connected to the differential lever and injector control tube levers through the control link operating lever and connecting link. This arrangement provides a means for the governor to change the fuel settings of the injector control racks.

The engine idle speed is determined by the force exerted by the governor low-speed spring. When the governor speed control lever is placed in the idle position, the engine will operate at the speed where the force exerted by the governor low-speed weights will equal the force exerted by the governor low-speed spring.

Adjustment of the engine idle speed is accomplished by changing the force on the low-speed spring by means of the idle adjusting screw. Refer to Section 14.3 (6 and 8V engines) or 14.3.1 (16V engine) for the idle speed adjustment.

The engine maximum no-load speed is determined by the force exerted by the high-speed spring. When the governor speed control lever is placed in the maximum speed position, the engine will operate at a speed where the force exerted by the governor high-speed weights will equal the force exerted by the governor high-speed spring.

Adjustment of the maximum no-load speed is accomplished by the high-speed spring retainer. Movement of the high-speed spring retainer nut will increase or decrease the tension on the high-speed spring. Refer to Section 14.3 (6 and 8V engines) or 14.3.1 (16V engine) for the maximum no-load speed adjustment.

Lubrication

The governor is lubricated by a spray of lubricating oil from the blower end plate. The governor weights distribute this oil to all parts of the governor assembly requiring lubrication.

Oil returning from the governor is directed through passages in the blower end plate and cylinder block to the engine oil pan.

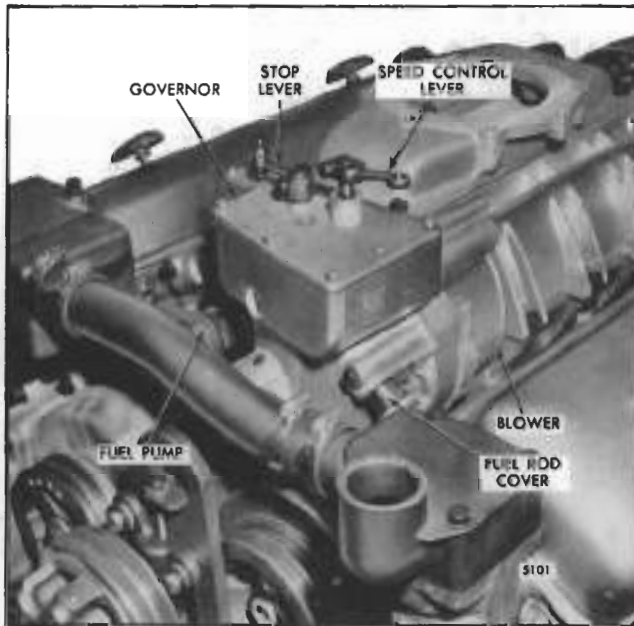


Fig. 2 - Limiting Speed Mechanical Governor Mounting (6 and 8V Engines)

Remove Governor From Engine (6 and 8V Engines)

Governor operation should be checked as outlined in Section 2.7 before the governor is removed from the engine. If, after performing these checks, the governor fails to control the engine properly, it should be removed and reconditioned.

1. Open the drain cocks and drain the engine cooling system.
2. Remove any accessories attached to the cylinder head, governor or front end of the engine that interfere with the removal of the governor assembly.
3. Disconnect the control linkage from the speed control and stop levers (Fig. 2).
4. Remove the eight screws and lock washers securing the governor cover to the housing. Lift the cover and gasket from the housing.
5. Remove the fuel rods from the control link operating lever assembly (Fig. 1) and the injector control tube levers as follows:
 - a. Remove the valve rocker covers from the cylinder heads.
 - b. Remove the right bank fuel rod by removing the screw type pin, in the control link operating lever, and the clevis pin in the control tube lever and withdraw the fuel rod from the governor.

- c. Remove the left bank fuel rod by removing the clevis pin in the control tube lever and lift the connecting pin up out of the control link operating lever approximately three-quarters of an inch. Then withdraw the fuel rod from the governor.

6. Loosen the hose clamps at each end of the water bypass tube. Slide the hoses and clamps onto the by-pass tube and remove the tube from the engine.

7. Disconnect and remove the fuel oil lines attached to the fuel pump and the crossover fuel oil line attached to each cylinder head.

8. Loosen the hose clamps on the fuel rod cover tube hoses next to each cylinder head and slide each hose and clamp up on the tube in the governor housing.

9. Note the location of the two copper, one plain and eight lock washers on the governor-to-blower bolts before removing them. Then remove the ten bolts and washers (two inside and eight outside) securing the governor and fuel pump assembly to the blower.

10. Tap the sides of the governor housing lightly with a plastic hammer to loosen the governor from the blower. Then pull the governor and fuel pump assembly straight out from the dowels in the blower end plate. Remove the governor-to-blower gasket.

NOTE: The fuel pump drive coupling fork may stay on either the fuel pump or the blower rotor shaft. Remove the drive coupling fork.

11. Remove the three bolt and seal assemblies securing the fuel pump assembly to the governor housing. Remove the fuel pump and gasket from the governor housing.

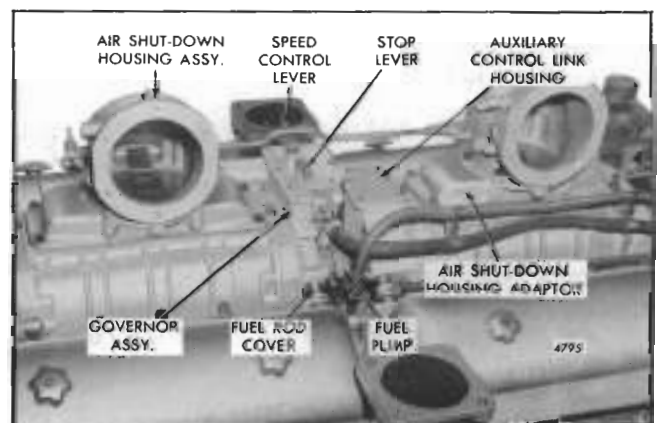


Fig. 3 - Limiting Speed Governor Mounting (16V Engine)

Remove Governor From Engine (16V Engine)

Governor operation should be checked as outlined in Section 2.7 before the governor is removed from the engine. If, after performing these checks, the governor fails to control the engine properly, it should be removed and reconditioned.

1. Disconnect the linkage attached to the governor speed control and stop levers.

2. On a non-turbocharged engine, disconnect the air inlet tube attached to the air shutdown housing on each blower.

On a turbocharged engine, disconnect the tube from the turbocharger and the air shutdown housing on the rear blower.

3. On a non-turbocharged engine, remove the air shutdown housings and the air shutdown adaptor from the rear blower.

NOTE: Remove the two air shutdown housings, with attaching rod, as a unit.

On a turbocharged engine, disconnect the shutdown rod from the lever on the rear air shutdown housing. Then remove the air shutdown housing and the air shutdown adaptor as an assembly from the blower.

4. Cover the top of the blower with masking tape to prevent the entry of foreign material.

5. Remove the rear cylinder head rocker covers.

6. Remove the governor housing cover screws and lock washers, then remove the cover and gasket from the housing.

7. Remove the governor auxiliary control link housing cover screws and lock washers, then remove the cover and gasket from the housing.

8. Disconnect the fuel rods from the control link operating lever and the injector control tube levers as follows:

a. Remove the right bank fuel rod by removing the screw type pin in the control link operating lever and the pin in the control tube lever. Withdraw the fuel rod out through the top of the governor housing.

b. Remove the left bank fuel rod by removing the connecting pin from the control link operating lever and the pin in the control tube lever. Withdraw the fuel rod out through the top of the governor housing.

9. Remove the connecting link from the ball joint stud attached to the control link operating lever in the governor housing and the auxiliary control link housing by lifting or prying each end of the connecting link off of the ball joint studs. Then remove the connecting link from the governor housing.

10. Loosen the fuel rod cover hose clamp at each side of the governor housing, then slide each hose against the governor housing. Tighten each clamp to retain it on the hose.

11. Loosen the hose clamp between the governor housing and the auxiliary control link housing, then slide the hose forward against the auxiliary control link housing. Tighten the clamp to retain it on the hose.

12. Disconnect the fuel pump inlet and outlet tubes or hoses from the fuel pump. Then, if necessary, remove the fuel pump from the governor housing.

13. Disconnect the blower drive support oil tube from the fitting in the blower drive support. Loosen the two bolts securing the oil tube seal ring retaining plate to the blower end plate, then push the oil tube into the end plate.

14. Remove the six bolts and lock washers securing the flywheel housing hole cover, at the blower drive support, then remove the cover and gasket.

On an engine equipped with a rear mounted battery-charging alternator, loosen and remove the alternator drive belt. Then remove the alternator drive pulley nut and pulley from the alternator drive shaft. Remove the bolts and lock washers securing the alternator drive assembly to the flywheel housing, then remove the drive assembly, gasket and drive coupling from the flywheel housing.

On an engine equipped with a hydraulic oil pump, remove the six bolts and lock washers securing the oil pump to the flywheel housing and adaptor, then remove the oil pump, adaptor and gaskets from the flywheel housing. Remove the drive coupling and the drive coupling hub from the blower drive shaft.

15. Remove the blower drive shaft retaining snap ring from the blower drive coupling, then remove the blower drive shaft from the blower drive hub and the blower drive coupling.

16. Loosen the blower drive support-to-blower hose (seal) clamps. Then push the hose (seal) back on the blower drive support.

17. Remove the bolt and washer through the top of each blower end plate, securing the blower to the cylinder block.

18. Remove the bolts and retaining washers on the each side of the blower, securing the blower to the cylinder block.

19. Thread eyebolts in diagonally opposite tapped holes in the top of the blower housing. Then attach a rope sling and chain hoist to the eye-bolts.

20. Lift the blower assembly slightly and move it forward to detach the blower from the hose (seal). Then lift the blower away from the engine and place it on a bench. Remove the blower to cylinder block gasket.

21. With the blower and governor assembly removed from the engine, remove the ten bolts, lock washers, plain washer and copper washers securing the governor assembly to the blower end plate. Slide the governor assembly forward off of the dowel pins in the end plate, then remove the governor to blower end plate gasket.

Disassemble Governor

Before removing any parts from the governor, wash the entire unit in clean fuel oil, dry it with compressed air and inspect for worn or damaged parts which may be repaired or replaced without complete disassembly.

1. Disassemble the governor cover (Fig. 4) as follows:

- a. Remove the lubrication fitting from the speed control shaft.
- b. Loosen the speed control lever retaining bolt and lift the control lever from the speed control shaft.
- c. Remove the spacer (if used), snap ring and two seal ring retaining washers, and seal ring from

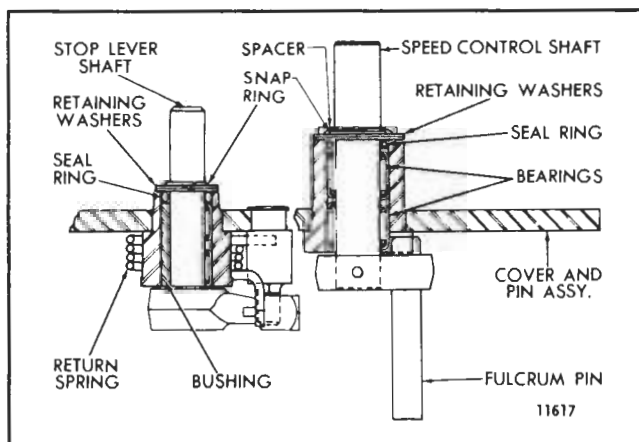


Fig. 4 - Cross Section of Governor Cover

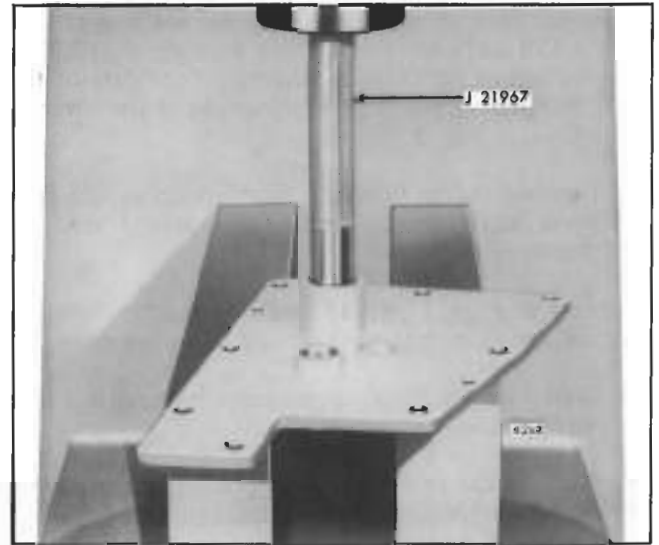


Fig. 5 - Removing Speed Control Shaft Bearing from Governor Cover

the speed control shaft. Withdraw the shaft from the cover.

- d. Loosen the bolt securing the stop lever to the stop lever shaft and remove the stop lever.
- e. Remove the snap ring, two seal ring retaining washers, and seal ring from the stop lever shaft. Withdraw the lever shaft and the lever shaft return spring from the cover.
- f. Wash the cover assembly thoroughly in clean fuel oil and inspect the needle bearings and bushings for wear or damage. If the bearings and bushings are satisfactory for further use, removal is unnecessary.
- g. If needle bearing removal is necessary, place the

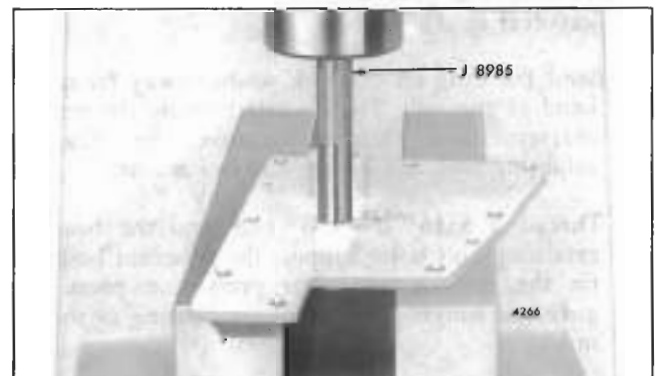


Fig. 6 - Removing Stop Lever Shaft Bushings from Governor Cover.

inner face of the cover over the opening on the bed of an arbor press. Place remover J 21967 on the top of the bearing and under the ram of the press, then press both bearings out of the cover as shown in Fig. 5.

- h. Remove the bushing or bearings from the stop lever shaft opening using remover J 8985 as shown in Fig. 6.
2. Refer to Figs. 1 and 18 and disassemble the high and low-speed springs, plunger and adjusting screw:
 - a. Clamp the flange of the governor housing in a vise equipped with soft jaws.
 - b. Remove the two bolts and lock washers securing the high-speed spring retainer housing to the governor housing and withdraw the retainer housing and gasket.
 - c. Loosen the high-speed spring retainer lock nut (Fig. 1) with a spanner wrench. Then remove the high-speed spring retainer, idle speed adjusting screw, high-speed spring, spring plunger, low-speed spring, spring seat and spring cap as an assembly.
 - d. Remove the low-speed spring cap, spring and spring seat from the high-speed spring plunger. Depress the high speed spring by hand and remove the idle speed adjusting screw lock nut. Remove the high-speed spring retainer, high-speed spring and idle speed adjusting screw from the high-speed spring plunger.
 3. Remove the governor weights and shaft assembly from the governor housing as follows:
 - a. Clamp the flange of the governor housing in a vise equipped with soft jaws.
 - b. Remove the governor weight housing plug and gasket (Fig. 1).
 - c. Bend the tang on the lock washer away from the head of the bolt. Then, while holding the weight carrier from turning, remove the bearing retaining bolt, flat washer and lock washer.
 - d. Thread a 5/16" -24 x 3" bolt into the bearing retaining bolt hole. Support the governor housing on the bed of an arbor press and press the governor weight shaft from the bearing as shown in Fig. 7.
 - e. Slide the governor riser thrust bearing and riser from the weight shaft.

NOTE: The thrust bearing is specially designed

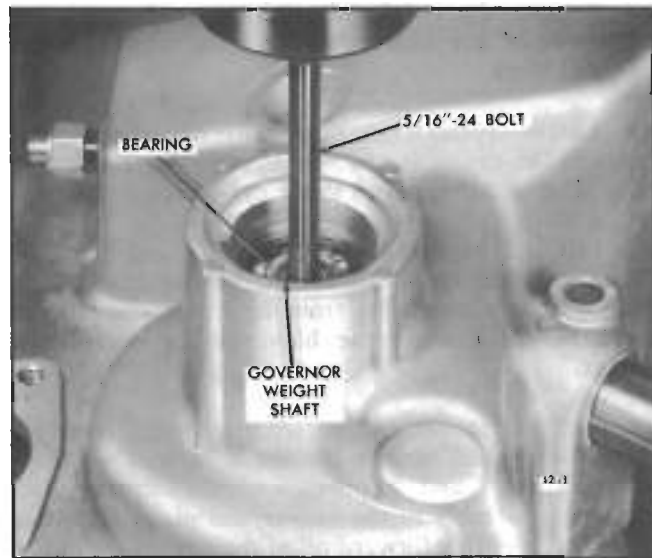


Fig. 7 - Removing Governor Weight Shaft Assembly from Governor Housing

to absorb thrust load; therefore, looseness between the mating parts does not indicate excessive wear.

- f. Remove the weight shaft bearing from the governor housing. If necessary, use a small brass rod and hammer and tap the bearing out of the housing.
4. Remove the governor weights from the carrier and shaft assembly on *non-turbocharged engines* as follows:
 - a. Matchmark the low and high-speed weights and carrier with paint or a center punch for identification.
 - b. Remove the retaining rings from the weight pins. Then drive the pins out of the carrier and the weights by tapping on the grooved end of the pins. Remove the governor weights.
 5. Disassemble the governor weights and shaft assembly on *turbocharged engines* as follows:
 - a. Matchmark the low and high-speed weights and carrier with paint or a center punch for identification; also note the position of the flat washer at the side of the high-speed weight so the parts can be replaced in their original positions (Fig. 8).
 - b. If removal of the weights from the carrier is necessary, remove the retainers and press the weight pins from the low-speed weights. The high-speed weights are not a press fit.
 - c. If removal of the weight carrier from the weight

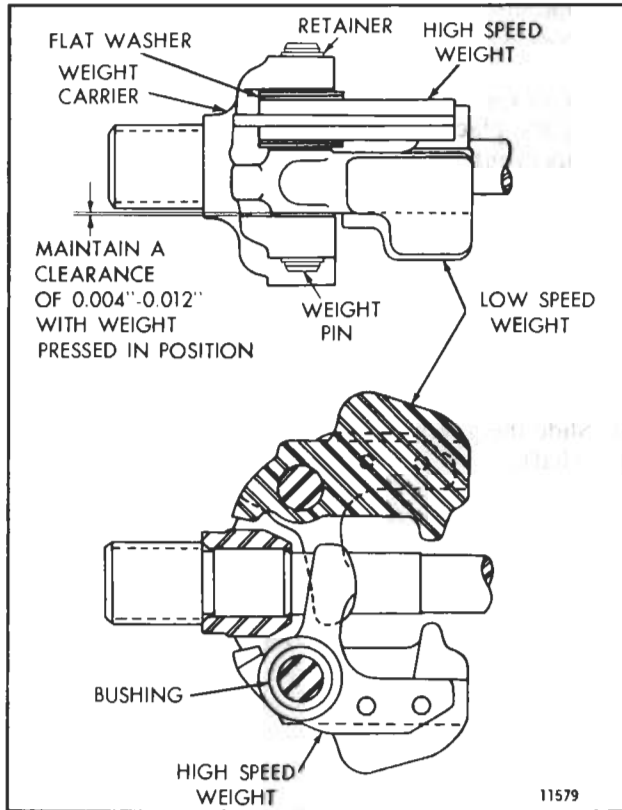


Fig. 8 - Cross Section of Governor Weight Assemblies (Turbocharged Engines)

shaft is necessary, support the shaft, weight carrier and sleeve on the bed of an arbor press as shown in Fig. 9 and press the shaft out of the weight carrier.

- d. Position the high-speed governor weight on a sleeve on the bed of an arbor press and press the bearing from the weight using replacer J 8985 as shown in Fig. 10.

6. Remove the governor linkage and operating shaft from the governor housing as follows:

- a. Remove the spring retainer and plain washer securing the connecting link to the differential lever and remove the connecting link.
- b. Remove the spring retainer and plain washer securing the differential lever to the operating shaft lever and remove the differential lever.

NOTE: Remove the low-speed gap adjusting

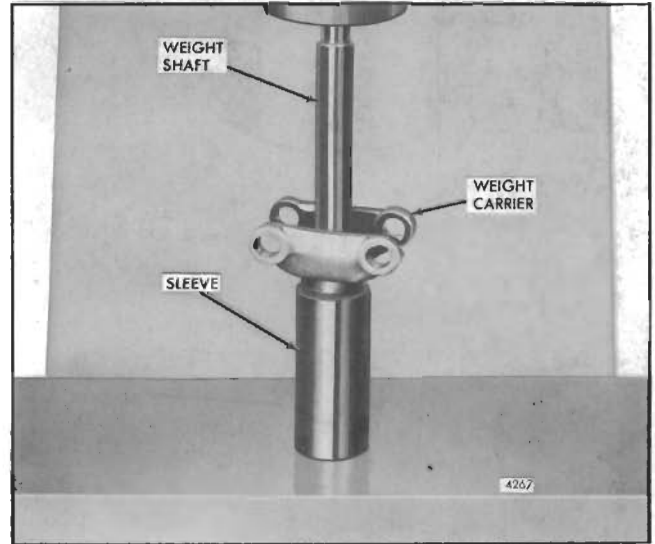


Fig. 9 - Removing Governor Weight Shaft from Weight Carrier

screw, also the internal starting aid screw (early turbocharged engines), from the operating shaft lever, if necessary.

- c. Remove the screw, lock washer and lock clip securing the control link operating lever shaft in the housing. Lift the shaft out of the housing and remove the operating lever and two flat washers at each side of the operating lever.

NOTE: Be sure not to lose the two flat washers located between the top and bottom of the lever assembly and the governor housing.

- d. Remove the expansion plug from the bottom of the governor housing (Fig. 1).

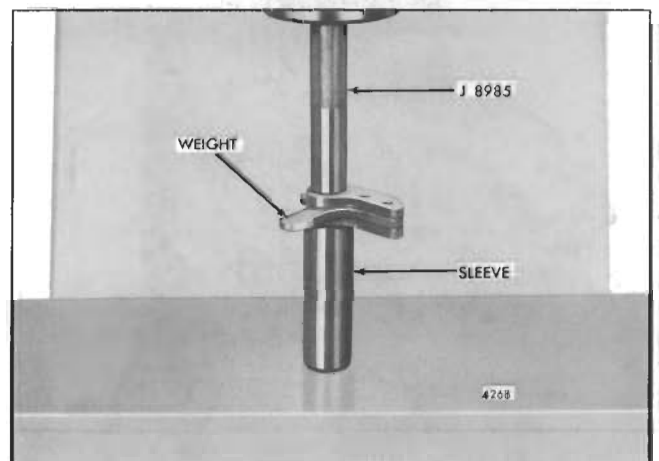


Fig. 10 - Removing Governor Weight Bearings

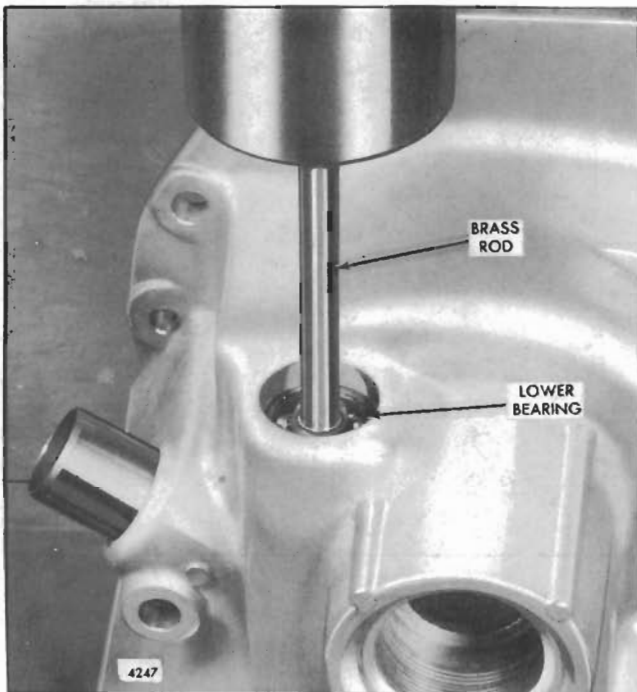


Fig. 11 - Removing Operating Shaft from Operating Shaft Lower Bearing

- e. Remove the operating shaft upper bearing retainer screw, lock washer and flat washer securing the bearing in the governor housing.
- f. Support the governor housing bottom side up on the bed of an arbor press, with the two dowel pins in the top of the housing between the two steel supports. Place a small brass rod on the end of the

operating shaft and press the shaft out of the bearing (Fig. 11).

- g. With the housing still supported on the bed of the press, place a 9/16" open end wrench under the operating fork as shown in Fig. 12. Place a brass rod on the end of the shaft and press the fork off of the operating shaft. Remove the shaft, operating lever and bearing as an assembly from the housing.
- h. Remove the operating shaft lower bearing from the bottom of the governor housing.
- i. Slide the governor operating shaft spacer from the shaft.
- j. Place a short 9/16" inside diameter sleeve over the end of the operating shaft and rest it against the inner race of the bearing on the operating shaft.
- k. Support the operating shaft, lever, bearing and sleeve on a large washer or plate, with a 5/8" hole, on the bed of an arbor press as shown in Fig. 13. Place a small brass rod on the end of the shaft and press the operating shaft out of the operating lever and bearing. Catch the shaft by hand when pressed from the lever and bearing to prevent it from falling and being damaged.

NOTE: Be sure that the bearing inner race is

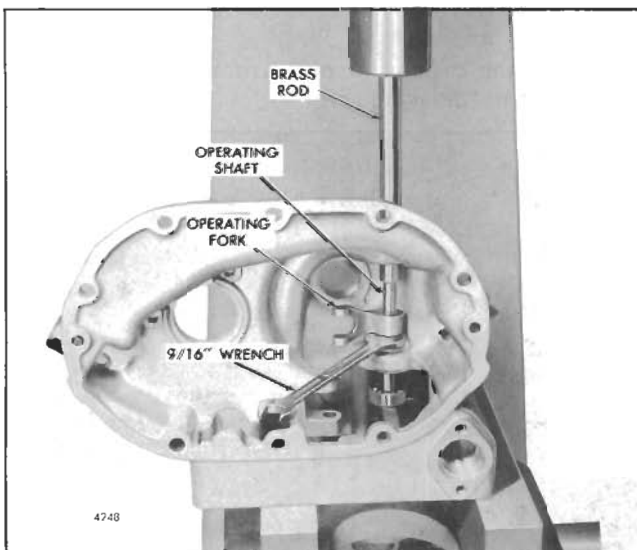


Fig. 12 - Removing Operating Fork Shaft and Lever Assembly from Governor Housing

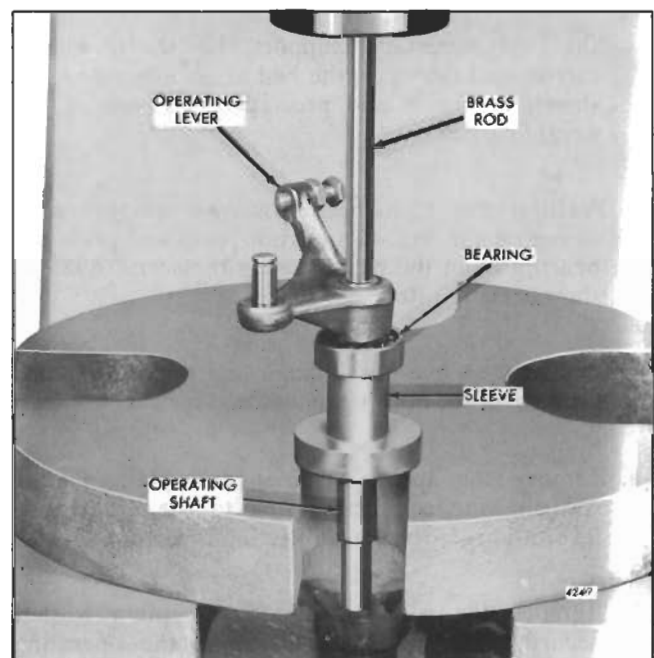


Fig. 13 - Removing Operating Lever and Upper Bearing from Operating Shaft

resting on the sleeve or the bearing may be damaged.

- l. Wash the control link operating lever (containing the bearings) thoroughly in clean fuel oil and inspect the needle bearings for wear or damage. If the bearings are satisfactory for further use, removal is unnecessary.
 - m. If removal of the needle bearing is necessary, support the control link operating lever on a sleeve and rest the sleeve on the bed of an arbor press. Place tool J 8985 on top of the bearing and press both bearings out of the lever as shown in Fig. 14.
7. Remove the buffer screw from the governor housing.
 8. Remove the external starting aid screw (governors dated June, 1974 or later) from the governor housing, if necessary.

Inspection

Wash all of the governor parts in clean fuel oil and dry them with compressed air.

Examine the bearings for any indications of corrosion or pitting. Lubricate each bearing with light engine

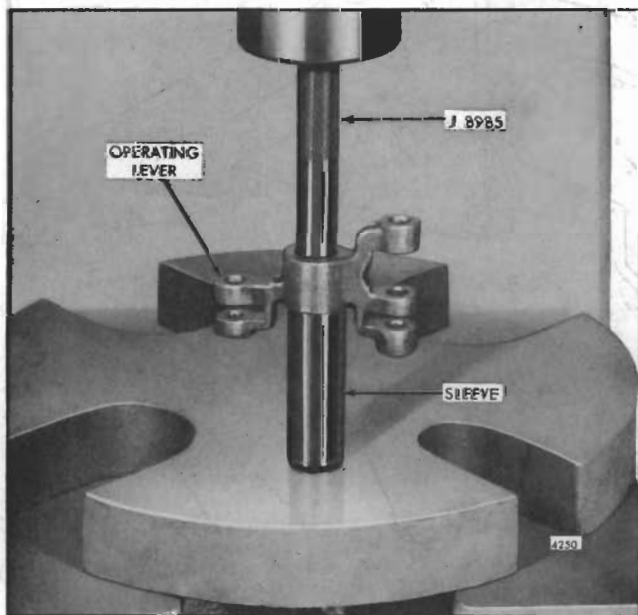


Fig. 14 - Removing Operating Lever Needle Bearings

oil. Then, while holding the bearing inner race from turning, revolve the outer race slowly by hand and check for rough spots.

Examine the riser thrust bearing for excessive wear, flat spots or corrosion.

Examine the weight carrier pins and bushings in the weights for wear.

Examine the control link operating lever shaft and needle bearings for wear or damage.

If the speed control and stop lever shaft are worn excessively due to worn or damaged needle bearings and bushing, replace the shafts, needle bearings and bushing in the cover.

Inspect the spring seats, plunger, adjusting screws, lock nuts, pins, seal rings and any other parts in the governor housing for wear or defects that might affect governor operation.

When replacing a limiting speed governor housing (with or without a starting aid screw), only the current governor housing assembly with the external starting aid screw is serviced.

NOTE: If the external starting aid screw is not required, back it out as far as possible to make it ineffective.

If the governor is equipped with an internal starting aid screw, remove the gap adjusting screw and the starting aid screw from the operating shaft lever and replace them with the current gap adjusting screw and nut. Then perform an engine tune-up (Section 14).

Replace all of the parts that are worn or damaged.

Assemble Governor

With all of the governor parts cleaned and inspected and the necessary new parts on hand, refer to Figs. 1 and 15 and assemble.

1. If removed, install the external starting aid screw (governor dated June, 1974 or later) in the governor housing.

2. Install the operating shaft and governor linkage in the governor housing as follows:

- a. Lubricate the inside diameter of the governor operating shaft upper bearing with engine oil. Start the bearing, numbered side up, straight on the large end of the operating shaft. Support the bearing and operating shaft on a 9/16" inside diameter sleeve on the bed of an arbor press, with the inner race of the bearing resting on the sleeve,

2. Housing--Governor	27. Weight--High Speed	61. Lock Washer	88. Snap Ring--Speed Control Shaft
3. Gasket--Housing to Blower	29. Pin--Weight	65. Screw--Buffer	89. Shaft--Stop Lever
4. Bolt--Housing to Blower	30. Flat Washer	66. Lock Nut--Buffer Screw	90. Spring--Stop Lever Shaft Return
5. Lock Washer	31. Screw--Weight Pin Set	67. Lever--Governor Differential	91. Ring--Stop Shaft Seal
8. Shaft--Governor Operating	40. Shaft--Weight Carrier	68. Pin--Differential Lever	92. Washer--Seal Ring Retainer
9. Lever--Operating Shaft	41. Riser--Governor	69. Washer--Differential Lever and Connecting Link Flat	93. Snap Ring--Stop Shaft
10. Pin--Shaft Lever	42. Bearing--Riser Thrust Shaft End	70. Retainer--Spring	94. Gasket--Governor Housing Cover
11. Bearing--Operating Shaft (Upper)	43. Bearing--Weight Carrier Shaft End	71. Link--Operating Lever Connecting	95. Screw--Housing Cover
13. Fork--Operating Shaft	44. Bolt--Bearing Retainer	80. Cover--Governor Housing	96. Lock Washer
14. Bearing--Operating Shaft (Lower)	45. Lock Washer--Special	81. Bearing--Speed Control Shaft	97. Carrier--Governor Weight
15. Plug--Expansion	46. Flat Washer	82. Bushing--Stop Lever Shaft	98. Weight--Low Speed
16. Screw--Bearing Retaining	47. Plug--Governor Housing	83. Shaft--Speed Control Lever	99. Weight--High Speed
17. Lock Washer	48. Gasket--Housing Plug	84. Pin--Fulcrum Lever	100. Pin--Weight
18. Flat Washer	53. Lever--Control Link Operating	85. Spacer--Speed Control Shaft	101. Ring--Weight Pin Retainer
19. Screw--Starting Aid Adjusting (Internal)	54. Bearing--Operating Lever	86. Ring--Control Shaft Seal	102. Shaft--Weight Carrier
20. Screw--Gap Adjusting (Internal)	55. Shaft--Operating Lever	87. Washer--Seal Ring Retainer	103. Locknut
21. Spacer--Operating Shaft	56. Washer--Operating Lever Shim		104. Screw, Gap Adjusting (External)
25. Carrier--Governor Weight	57. Pin--Fuel Rod Connecting (Short)		105. Screw, Starting Aid Adjusting (External)
26. Weight--Low Speed	58. Pin--Fuel Rod Connecting (Long)		106. Locknut
	59. Clip--Operating Lever Shaft Lock		
	60. Screw--Lock Clip		

Fig. 15 - Limiting Speed Governor Details and Relative Location of Parts

then press the shaft into the bearing until 1/4" of the shaft protrudes through the bearing.

Install the bearing, numbered side up, on the shaft and press it tight against the bearing washer.

- b. Lubricate the inside diameter of the governor operating shaft lever with engine oil. Start the lever, pivot pin in operating lever facing up, straight on the operating shaft with the flat on the shaft registering with the flat surface in the lever. Support the operating lever, bearing and shaft on the bed of an arbor press with a steel support directly under the center of the lever, then press the operating shaft through the bearing and lever until the end of the shaft contacts the steel support.

NOTE: The upper end of the shaft must be flush with the top surface of the lever.

- c. Place the operating shaft spacer over the lower end of the shaft and slide it against the upper bearing inner race.
- d. Insert the end of the governor operating shaft, bearing, spacer and lever assembly through the upper bearing bore in the governor housing with the lever positioned as shown in Fig. 1.

NOTE: If removed, install the low-speed gap adjusting screw and lock nut in the operating

shaft lever and thread the starting aid screw (early turbocharged engines) in the gap adjusting screw (Fig. 1). Both screws (turbocharged engines) have a nylon locking patch on the threads in lieu of the lock nut.

- e. Lubricate the inside diameter of the governor operating shaft fork with engine oil, then place the operating fork over the lower end of the shaft with the finished cam surfaces on the fork fingers facing the rear of the governor housing and the flat on the shaft registering with the flat surface in the fork.
- f. Support the governor housing and operating shaft assembly on the bed of an arbor press with the upper end of the operating shaft resting on a steel support as shown in Fig. 16. Place a 7/16" inside diameter sleeve over the end of the shaft and against the fork, then press the fork right against the shaft spacer on the shaft.
- g. Lubricate the governor operating shaft lower bearing with engine oil. Start the bearing, numbered side up, straight in the governor housing and over the end of the operating shaft.
- h. Support the governor housing and operating shaft assembly on the bed of an arbor press with the upper end of the operating shaft resting on a steel support as shown in Fig. 16. Place a 7/16" inside diameter sleeve on the inner race of the bearing and under the ram of the press, then press the

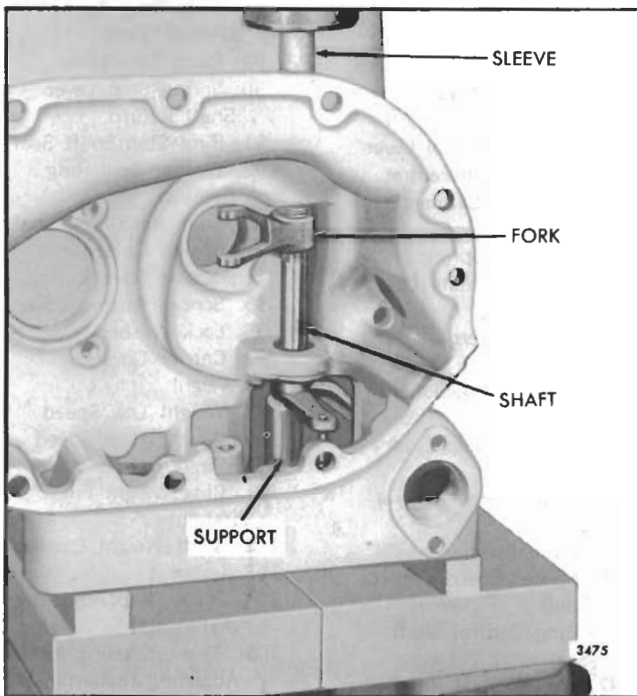


Fig. 16 - Installing Governor Operating Shaft Fork on Shaft

bearing on the shaft until it seats on the shoulder in the housing.

- i. Install the governor operating shaft upper bearing retaining flat washer, lock washer and screw in the governor housing (Fig. 1).
- j. Apply a thin coat of good quality sealant around the edge of a new expansion plug. Place the plug, concave side up, in the opening in the housing next to the lower operating shaft bearing. Tap the center of the plug with a hammer to secure the plug in the housing.
- k. Place the differential lever over the pivot pin in the operating lever, pin in lever up, and secure it in place with a plain washer and spring retainer.
- l. If removed, place the control link operating lever on the bed of an arbor press with steel support under the bearing bore. Lubricate the bearing with engine oil and start the bearing, numbered end up, straight into the bore of the lever. Insert the pilot end of installer J 8985 in the bearing and under the ram of the press. Then press the bearing into the lever until it is flush with the top surface of the lever. Reverse the lever on the press and install the second bearing in the same manner.
- m. Lubricate the control link operating lever needle bearings with Shell Alvania No. 2 grease, or

equivalent. Place the operating lever in position between the two bosses inside the governor housing. Insert a flat boss washer on each side of the lever (Fig. 1). Then install the operating lever shaft with the slot (in the side at one end of the shaft) up.

- n. Align the slot in the operating lever shaft with the lock clip screw hole in the boss next to the shaft. Install the lock clip, lock washer and screw and tighten it securely.
 - o. Place one end of the connecting link over the differential lever pin and secure it in place with a washer and spring retainer (Fig. 1). Place the opposite end of the connecting link on top of the control link operating lever and install the connecting pin.
 - p. If removed, thread the lock nut on the buffer screw and thread the buffer screw into the governor housing.
3. Assemble the governor weights on the carrier and shaft assembly on *non-turbocharged engines* as follows:
 - a. Position the low-speed weights, identified by the short cam arm, on opposite sides of the weight carrier. Note the matchmarks placed on the weight carrier and weights at the time of disassembly.
 - b. Drive the weight pins in place and install the retaining rings. To install a weight pin correctly, push the grooved end through the smaller hole in the carrier and through the weight. Then drive the knurled end in just enough so the retaining ring can be installed on the pin.
 - c. Install the high-speed weights on the carrier in the same manner.

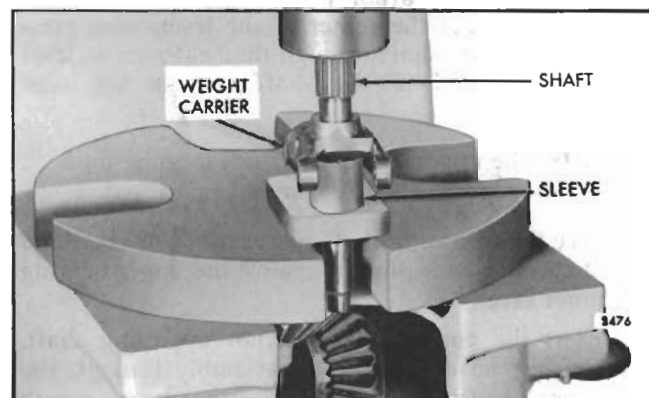


Fig. 17 - Installing Governor Weight Shaft in Weight Carrier

d. Lubricate the weight shaft with clean engine oil.

4. Assemble the governor weight and shaft assembly on *turbocharged engines* as follows:

If the governor weight carrier assembly was removed from the weight shaft, the low and high-speed weights must be removed from the carrier before attempting to install the carrier on the shaft.

- a. Support the weight carrier (rear face up) on a sleeve and a steel support (with 1" hole) over an opening in the bed of an arbor press as shown in Fig. 17.
- b. Lubricate the weight shaft with engine oil. Then insert the non-splined end of the shaft through the carrier, sleeve and hole in the steel support. Bring the ram of the press down on the shaft and press the shaft straight into the carrier until the shoulder on the shaft is tight against the carrier.
- c. Refer to Fig. 8 and install a retainer on either end of the weight pin. Note the match marks placed on the weight carrier and weights at the time of disassembly. Then slide the weight pin through the carrier, flat washer and the high-speed weight and its bushing.
- d. Place the low-speed weight in position. Then press the weight pin through the low-speed weight and carrier until the retainer bottoms against the carrier. Maintain a clearance of .004"-.012" with the weight pressed in position.

NOTE: To maintain this clearance, insert a .004"-.012" shim between the low-speed weight and carrier while pressing the pin into position.

- e. Remove the shim and install the second weight pin retainer.
 - f. Install the second pair of weights (three pair of weights in 16V turbocharged engine governor) in the carrier in the same manner as described above.
5. Install the governor weight and shaft assembly in the governor housing as follows:
- a. Slide the governor riser on the weight shaft and against the fingers of the high-speed weight.
 - b. Place the governor riser thrust bearing over the weight shaft with the bearing race having the smaller inside diameter against the riser.
 - c. Insert the weight carrier and shaft assembly in the governor housing. Then support the splined end

of the shaft and the governor housing on the bed of an arbor press with the upper end of the shaft under the ram of the press.

- d. Place the weight shaft bearing in the governor housing (numbered side up) and start it straight on the end of the weight carrier shaft. Place a sleeve with a 1/2" inside diameter on top of the bearing inner race. Bring the ram of the press down on the sleeve and press the bearing into the housing and against the shoulder on the shaft.
- e. Place the special lock washer on the end of the weight carrier shaft with the tang on the inner diameter of the washer in the notch in the end of the shaft.
- f. Place the flat washer on the bearing retainer bolt and thread the bolt into the shaft. Clamp the splined end of the weight carrier shaft in the soft jaws of a bench vise and tighten the bearing retainer bolt to 15-19 lb-ft (20-26 Nm) torque. Bend the tang on the lock washer against the head of the bolt.
- g. Place a gasket against the weight shaft bearing. Apply a sealant such as Loctite grade H, HV or HVW, or equivalent, on the threads of the governor housing and the plug and thread the plug into the housing. Tighten the plug to 45 lb-ft (61 Nm) torque.

NOTE: Rotate the governor weight assembly to see that there is no bind. If bind exists, remove the housing plug and check to see if the weight shaft bearing is fully seated in the governor housing.

6. Refer to Figs. 1 and 18 and assemble the high and low-speed spring, plunger and adjusting screw:

- a. If removed, thread the retainer lock nut on the high-speed spring retainer approximately 1-1/2". Place the high-speed spring on the high-speed spring plunger with the loosely wound end of the spring against the shoulder of the plunger.
- b. Insert the high-speed spring and plunger assembly in the high-speed spring retainer. Thread the idle speed adjusting screw into the threaded end of the plunger approximately 1/2". Then thread the lock nut on the idle speed adjusting screw.
- c. Place the low-speed spring in the low-speed spring cap and the small end of the low-speed spring seat in the opposite end of the spring.
- d. Insert the low-speed spring seat, spring and cap assembly into the high-speed spring plunger and over the idle speed adjusting screw.

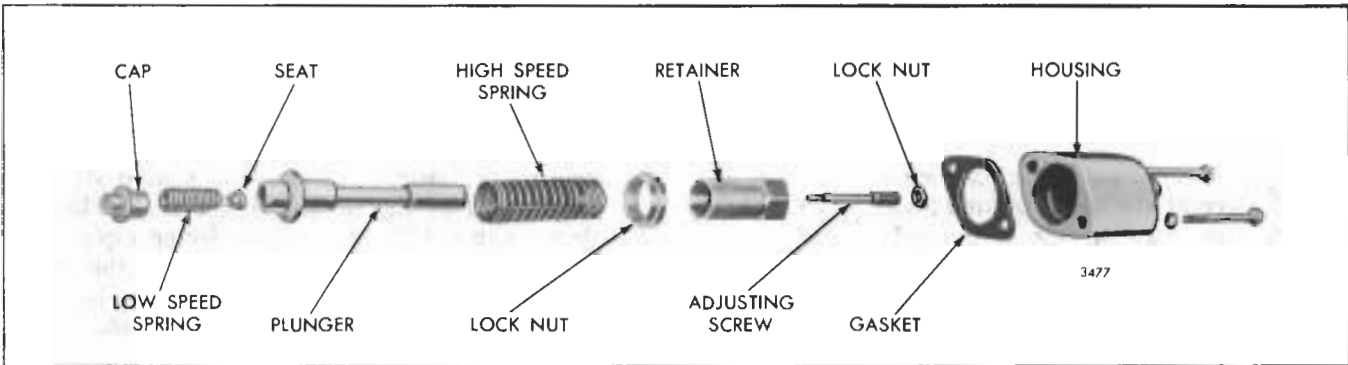


Fig. 18 - High and Low-Speed Springs and Plunger Details and Relative Location of Parts

- e. Affix a new high-speed spring retainer housing gasket to the governor housing.
 - f. Insert the spring, plunger and retainer assembly into the opening in the governor housing and thread the retainer into the housing approximately one inch.
 - g. Install the high-speed spring retainer housing after the governor assembly has been installed on the engine and the governor adjustment procedures performed as outlined in Section 14.3 (6 and 8V engines) or 14.3.1 (16V engines).
7. Assemble the governor cover (Fig. 4) as follows:
- a. If the speed control lever shaft needle bearing were removed from the cover, place the cover, inner face down, on two steel supports on the bed of an arbor press. Lubricate the outside diameter of a bearing with engine oil and start the bearing, numbered end up, straight in the bore in the cover boss.
 - b. Place the correct end of the bearing installer J 21068 in the bearing and under the ram of the press as shown in Fig. 19. Then press the bearing into the bore until the stop on the installer contacts the cover boss.
 - NOTE:** Installer J 21068 has a pilot on each end; one end is for the speed control shaft upper bearing and the other is for the stop shaft bushing or upper bearing.
 - c. Reverse the governor cover, inner face up, on the bed of the arbor press. Lubricate the outside diameter of the lower bearing with engine oil and start the bearing, numbered end up, straight in the bore in the cover boss.
 - d. Place the bearing installer J 21068 in the bearing and under the ram of the press. Then press the

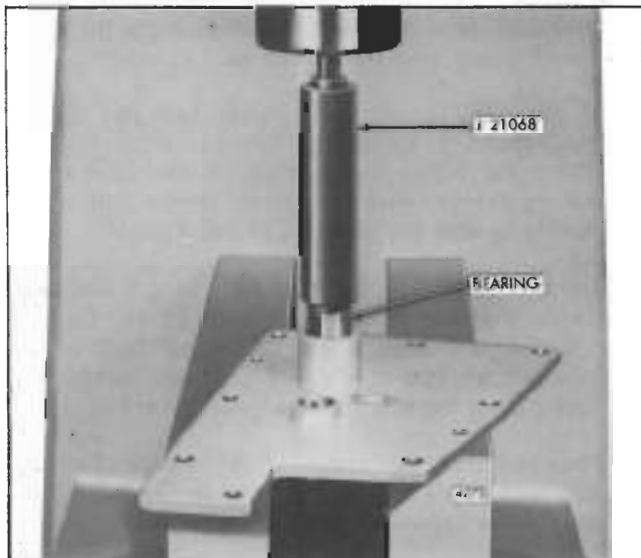


Fig. 19 - Installing Bearings in Governor Cover

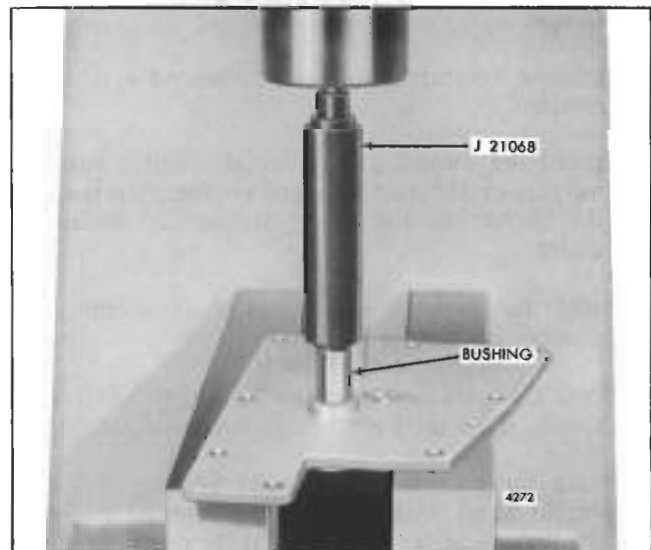


Fig. 20 - Installing Bushing in Governor Cover

bearing in the bore until it is flush with the face of the boss.

- e. On a governor cover equipped with stop lever shaft needle bearing, install the needle bearings in the same manner as described in Steps a, b, c and d above. Use the small pilot end of installer J 21068 to install the bearings.
- f. On a governor equipped with a stop lever shaft bushing, install the bushing in the cover (Fig. 20) in the same manner as described in Steps a and b above. Use the small pilot end of installer J 21068 to install the bushing.
- g. Lubricate the stop lever shaft needle bearings or bushing with Shell Alvania No. 2 grease, or equivalent.
- h. Place the stop lever shaft return spring over the boss on the inner face of the cover as shown in Fig. 4. Insert the shaft part way through the bearings or bushing and hook the end of the return spring over the end of the lever, then push the shaft up in the cover. Position the end of the lever on the right side of the stop pin (Fig. 4).
- i. Place the seal ring over the shaft and push it into the bearing bore and against the bearing or bushing. Place the two seal ring retainer washers on the shaft and against the cover boss, then install the snap ring in the groove in the shaft.
- j. Install the stop lever on the shaft and secure it in place with the retaining bolt and lock washer.
- k. Lubricate the speed control shaft needle bearings with Shell Alvania No. 2 grease, or equivalent. Then insert the speed control shaft through the bearings.
- l. Place the seal ring over the shaft and push it into the bearing bore and against the bearing. Place the two seal ring retainer washers on the shaft and against the cover boss, then install the snap ring in the groove in the shaft.
- m. Install the spacer on the speed control shaft (slip fit) against the retaining washers and over the snap ring.
- n. Install the speed control lever on the shaft and secure it in place with the retaining bolt and lock washer. Be sure the lever contacts the spacer.
- o. Install the lubrication fitting in the speed control shaft.

Install Governor on Engine (6 and 8V Engines)

1. Affix a new gasket to the bolting flange of the fuel pump. Place the fuel pump against the governor housing in its original position and secure it in place with the three bolt and seal assemblies. Tighten the bolts to 13-17 lb-ft (18-23 Nm) torque.
2. If removed, place a fuel rod cover tube hose and clamp on each fuel rod cover tube at each side of the governor housing.
3. Affix a new gasket to the forward face of the blower end plate.
4. Place the fuel pump drive fork on the fuel pump shaft. Position the governor and fuel pump assembly in front of the blower. Rotate the fuel pump fork until the prongs of the fork align with the slots in the drive disc. Rotate the weight shaft and align the splines on the shaft with the splines in the blower rotor.
5. Push the governor straight in over the dowels in the blower end plate and against the gasket.
6. Refer to Fig. 21 for the locations, and install the bolts, lock washers, copper washers and plain washer securing the governor to the blower. Tighten the bolts to 13-17 lb-ft (18-23 Nm) torque.

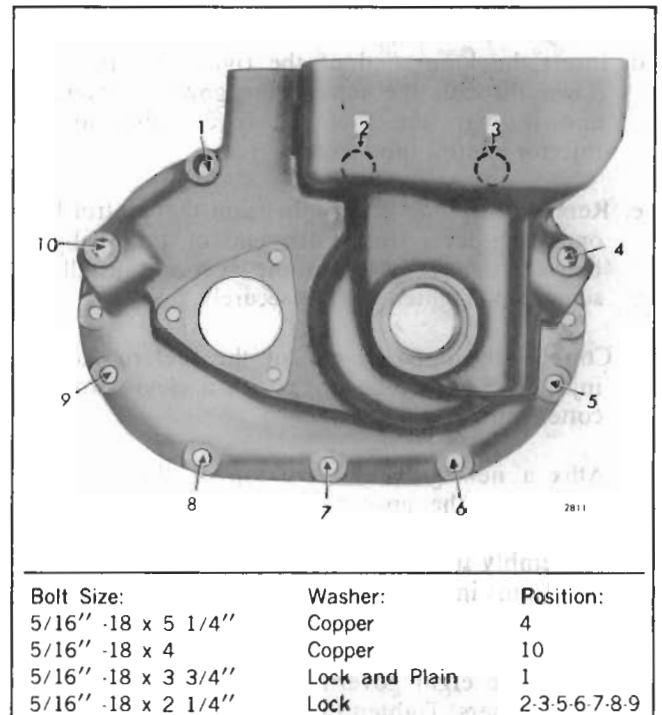


Fig. 21 - Location and Size of Governor Retaining Bolts

7. Slide each fuel rod cover tube hose down on the cover tube attached to the cylinder heads and tighten the hose clamps.

8. Install and connect the crossover fuel oil line to each cylinder head and connect the fuel oil lines to the fuel pump.

9. Place the water by-pass tube between the two thermostat housings and slide the hoses part way on the thermostat housings. Position the by-pass tube so it clears the governor, fuel pump and fuel oil lines. Then tighten the hose clamps.

10. Install the fuel rods between the cylinder heads and the governor as follows:

- a. Insert the lower end of the left-bank fuel rod down through the top of the governor housing and through the fuel rod cover tubes to the injector control tube lever.
- b. Raise the connecting pin up in the control link operating lever (Fig. 1). Insert the end of the fuel rod between the two bosses on the lever and insert the connecting pin through the fuel rod and into the lower boss.
- c. Connect the opposite end of the fuel rod to the injector control tube lever with a clevis pin and cotter pin.
- d. Insert the lower end of the right-bank fuel rod down through the top of the governor housing and through the fuel rod cover tubes to the injector control tube lever.
- e. Remove the short screw pin from the control link operating lever. Insert the end of the fuel rod between the two bosses on the lever and install the screw pin. Tighten the pin securely.
- f. Connect the opposite end of the fuel rod to the injector control tube lever with a clevis pin and cotter pin.

11. Affix a new gasket to the top of the governor housing. Place the governor cover assembly on the governor housing with the pin in the speed control shaft assembly in the slot of the differential lever and the dowel pins in the housing in the dowel pin holes in the cover.

12. Install the eight governor cover attaching screws and lock washers. Tighten the screws securely.

NOTE: The short cover attaching screw, with the drilled head, goes in the corner hole next to the high-speed spring retainer housing.

13. Install all of the accessories that were removed from the cylinder head, governor or the front end of the engine.

14. Connect the control linkage to the speed control and stop levers.

15. Close the drain cocks and fill the cooling system.

16. Perform the governor and injector rack control adjustment as outlined in Section 14.3.

Install Governor on Engine (16V Engine)

1. Affix a new governor housing gasket to the forward face of the blower end plate. Position the governor in front of the end plate. Align the splines of the weight shaft with the splines in the blower rotor, then push the weight shaft in the rotor and slide the governor housing over the dowel pins in the end plate and against the gasket.

2. Refer to Fig. 21 for bolt location and install the bolts, lock washers, plain washer and copper washers which secure the governor to the blower. Tighten the bolts to 13-17 lb-ft (18-23 Nm) torque.

3. Affix a new blower housing gasket to the cylinder block with a good grade of gasket cement to prevent the gasket from shifting when the blower is lowered into position.

4. Thread eyebolts in diagonally opposite tapped holes in the top of the blower housing. Then attach a rope sling and chain hoist to the eyebolts.

5. Lift the blower and governor assembly, at a slight angle, and position it on top of the cylinder block, with the flange of the rear end plate cover inside the blower drive shaft cover hose.

6. Thread a 7/16"-14 x 8-1/4" bolt and special washer finger tight in the center hole of each blower end plate. Then install the 3/8"-16 x 5-1/2" bolts and retaining washers finger tight at each side of the blower housing.

NOTE: The lip at the beveled end of the bolt retaining washer goes in the small recess in the housing just above the bolt slot.

7. Tighten the bolts as follows:

- a. First, tighten the blower-to-block end plate bolts to 40-60 lb-ft (54-81 Nm) torque.
- b. Then tighten the blower housing-to-block side

angle bolts uniformly to 30-35 lb-ft (41-47 Nm) torque in 5 lb-ft (7 Nm) increments.

- c. Recheck the torque on the blower-to-block end plate bolts.

8. Slide the blower drive support-to-blower hose (seal) and clamps into position and tighten the clamps.

9. Insert the blower drive shaft through the blower drive coupling and into the blower drive hub and install the retaining snap ring in the groove in the coupling.

10. Affix a new gasket to the flywheel housing hole cover, then attach the cover to the flywheel housing with six bolts and lock washers.

On an engine equipped with a rear mounted battery-charging alternator, affix a new gasket to the alternator drive assembly. Place the alternator drive coupling on the drive hub, then place the drive assembly into position and align the slots in the drive coupling with the drive hub on the blower drive gear. Place the drive assembly against the flywheel housing and install the bolts, lock washers and alternator adjusting strap. Install the alternator drive pulley and drive belt.

On an engine equipped with a hydraulic oil pump, refer to the Reverse and Reduction Gear Service Manual (6SE355).

11. Connect the blower drive support oil tube to the fitting in the blower drive support. Then tighten the two seal ring retaining plate bolts to 13-17 lb-ft (18-23 Nm) torque.

12. Affix a new gasket to the fuel pump flange, then install the fuel pump drive fork and fuel pump on the governor housing. Connect the fuel pump inlet and outlet tubes or hoses to the fuel pump.

13. Slide the governor housing to auxiliary control link housing hose and clamp into position between the two housings and tighten the hose clamp.

14. Slide the fuel rod cover hose down on the cover tube attached to the cylinder head at each side of the governor housing and tighten the hose clamps.

15. Place the control link operating lever connecting link in position in the governor and auxiliary housings and connect it to the ball joint studs in the control link operating levers.

16. Install the fuel rods between the cylinder heads and the governor as follows:

- a. Insert the lower end of the left-bank fuel rod down through the top of the governor housing and

through the fuel rod cover tubes to the injector control tube lever.

- b. Raise the connecting pin up in the control link operating lever (Fig. 1). Insert the end of the fuel rod between the two bosses on the lever and insert the connecting pin through the fuel rod and into the lower boss.

- c. Connect the opposite end of the fuel rod to the injector control tube lever with a clevis pin and cotter pin.

- d. Insert the lower end of the right-bank fuel rod down through the top of the governor housing and through the fuel rod cover tubes to the injector control tube lever.

- e. Remove the short screw pin from the control link operating lever. Insert the end of the fuel rod between the two bosses on the lever and install the screw pin. Tighten the pin securely.

- f. Connect the opposite end of the fuel rod to the injector control tube lever with a clevis pin and cotter pin.

17. Place a new auxiliary control link housing cover gasket on the housing, then install the cover and secure it in place with screws and lock washers.

18. Place a new governor housing cover gasket on the housing, then install the cover and secure it in place with screws and lock washers.

19. Install the cylinder head rocker covers.

20. On a non-turbocharged engine, remove the cover from the top of the blower. Place the blower screen, wire side down, on top of the blower and install the air shutdown adaptor. Then attach the air shutdown housings and gaskets to the adaptors.

On a turbocharged engine, remove the cover from the top of the blower. Place the blower screen, wire side down, and install the air shutdown adaptor and air shutdown housing as an assembly on the blower. Then attach the shutdown rod to the lever on the shutdown housing.

21. On a non-turbocharged engine, connect the air inlet tubes to the air shutdown housings.

On a turbocharged engine, attach the air inlet tube to the rear air shutdown housing and the turbocharger.

22. Connect the linkage, that was removed, to the governor speed control and stop levers.

23. Perform an engine tune-up as outlined in Section 14.3.1.

LIMITING SPEED MECHANICAL GOVERNOR (Variable Low-Speed)

The variable low-speed limiting speed mechanical governor is used on turbocharged highway vehicle engines where the same engine powers both the vehicle and auxiliary equipment and a high idle speed range is desired during auxiliary operation.

The governor is a single-weight type and provides an idle speed range of 500 to 1800 rpm.

The governor is mounted on the front end of the blower and is driven by one of the blower rotors.

Governor identification is provided by a name plate attached to the governor housing. The letters V.L.S.L.S. stamped on the name plate denote a variable low-speed limiting speed mechanical governor.

Operation

During highway operation, the governor functions as a limiting speed governor, controlling the engine idling speed and limiting the maximum operating speed. At the unloading area, the throttle is left in the idle speed position and the speed adjusting handle (Fig. 1) is turned to obtain the speed required to operate the auxiliary equipment. The governor then functions as a variable speed governor, maintaining a constant speed when the load is constantly changing, during the unloading operation. Before resuming highway operation, the speed adjusting handle must be turned against the stop, then turned back about one-quarter of a turn.

Lubrication

The governor is lubricated in the same manner as the limiting speed governor (Section 2.7.1).

Check Governor Operation

Governor difficulties should be checked out in the same manner as outlined in Section 2.7. If, after making the checks, the governor fails to control the engine or auxiliary equipment properly, it should be removed and reconditioned.

Remove Governor

1. Disconnect the manual control flexible shaft from the governor spring housing.
2. Remove the governor following the same procedures outlined in Section 2.7.1.

Disassemble Governor

The variable low-speed limiting speed governor is similar to the limiting speed governor with the

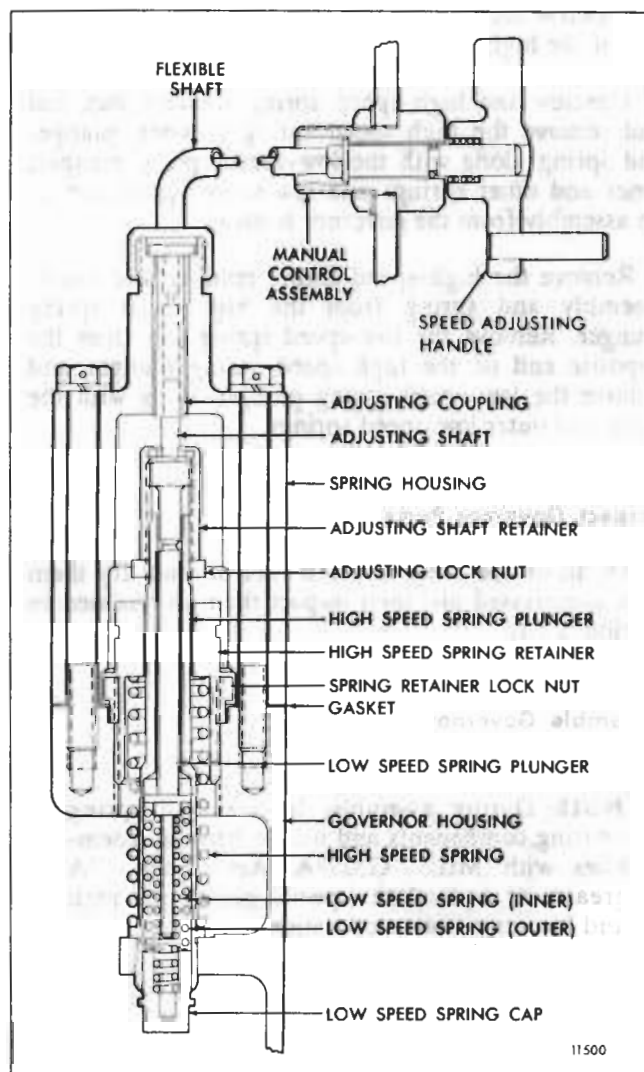


Fig. 1 - Governor Spring Housing and Components

exception of the spring housing and its components. Therefore, disassemble the governor as outlined in Section 2.7.1, then disassemble the spring housing and its components (Fig. 1) as follows:

1. Clamp the flange of the governor housing in a vise equipped with soft jaws.
2. Remove the two bolts and lock washers securing the spring housing to the governor housing and withdraw the spring housing and gasket.
3. Remove the adjusting coupling from the adjusting shaft.
4. Hold the adjusting lock nut with a wrench and back off the retainer and adjusting shaft.
5. Unscrew the adjusting shaft from the retainer.
6. Unscrew the idle speed adjusting lock nut from the end of the high-speed spring plunger.
7. Unscrew the high-speed spring retainer lock nut and remove the high-speed spring retainer, plunger and spring along with the low-speed spring plunger; inner and outer springs and low-speed spring cap as an assembly from the governor housing.
8. Remove the high-speed spring retainer and spacer assembly and spring from the high-speed spring plunger. Remove the low-speed spring cap from the opposite end of the high-speed spring plunger and remove the low-speed spring plunger along with the inner and outer low-speed springs.

Inspect Governor Parts

Wash all of the parts in clean fuel oil and dry them with compressed air, then inspect them as outlined in Section 2.7.1.

Assemble Governor

NOTE: During assembly, lubricate all spring housing components and needle bearing assemblies with MIL. G3278A, Aero Shell 7A grease, or equivalent (special grease for high and low temperature operations).

Assemble the governor as outlined in Section 2.7.1, then assemble the spring housing and components (Fig. 1).

1. Thread the spring retainer lock nut on the high-speed spring retainer approximately 1-1/2".
 2. Place the high-speed spring on the high-speed spring plunger.
 3. Insert the high-speed spring and plunger assembly in the high-speed spring retainer.
 4. Insert the low-speed spring plunger into the high-speed spring plunger.
 5. Place the inner and outer springs in the lower end of the high-speed spring plunger, over the low-speed spring plunger.
 6. Install the low-speed spring cap over the end of the inner low-speed spring and into the end of the high-speed spring plunger and install the assembly in the governor housing.
- NOTE:** Place the spring housing gasket in position before installing the assembly.
7. Thread the idle speed adjusting lock nut on the threaded end of the high-speed spring plunger approximately 1/2".
 8. Screw the adjusting shaft into the adjusting shaft retainer all the way in as shown in Fig. 1.
 9. Install the adjusting retainer and shaft onto the high-speed spring plunger. Turn down the adjusting retainer against the idle speed adjusting lock nut.
 10. Install the adjusting coupling and spring housing after the governor adjustments (Section 14.3.3) have been performed.

Install Governor

Install the governor as outlined in Section 2.7.1, then connect the manual control flexible shaft to the governor spring housing (Fig. 1).

Adjust the governor as outlined in Section 14.3.3.

VARIABLE SPEED MECHANICAL GOVERNOR

The variable speed mechanical governor, illustrated in Fig. 1, performs the following three functions:

1. Controls the engine idle speed.
2. Limits the maximum no-load speed.
3. Holds the engine at any constant speed, between idle and maximum, as desired by the operator.

The mechanical engine governor is identified by a name plate attached to the governor housing. The letters S-W.-V.S. stamped on the name plate denote a single-weight variable speed governor.

On 6 and 8V engines, the governor is mounted on the front end of the blower. On a 16V engine, the governor is mounted on the front end of the rear blower and the governor auxiliary drive housing is mounted on the rear end of the front blower. The governors are driven by a blower rotor. The governor assembly consists of three sub-assemblies.

1. Control Housing Cover.
2. Variable Speed Spring Housing and Shaft.
3. Control and Weight Housing.

For 16V turbocharged engines, the governor has three weights (Fig. 10) and a heavier variable speed spring.

Operation

Two manual controls are provided on the variable speed governor: a governor stop lever and a speed control lever. For starting, the governor stop lever is moved to the RUN position; this moves the injector control racks to the FULL-FUEL position. Upon starting, the governor moves the injector racks out to the position required for idling. The engine speed is then controlled manually by movement of the speed control lever.

The centrifugal force of the revolving governor weights is converted into linear motion, which is transmitted through the riser, Fig. 1, and operating shaft to the operating shaft lever. One end of the operating shaft lever bears against the variable speed spring plunger, while the other end provides a changing fulcrum on which the differential lever pivots.

The centrifugal force of the governor weights is opposed by the variable speed spring. Load changes or movement of the speed control lever create an

unbalanced force between the revolving governor weights and tension on the variable speed spring. When the two forces are equal, the engine speed stabilizes for a setting of the speed control lever.

Fuel rods connected to the injector control tube levers and the control link operating lever assembly are operated by the differential lever through the operating lever connecting link. This arrangement provides a means for the governor to change the fuel settings of the injector rack control levers.

The engine idle speed is determined by the centrifugal force required to balance out the tension on the variable speed spring in the low speed range.

Adjustment of the engine idle speed is accomplished by changing the tension on the variable speed spring by means of the idle speed adjusting screw. Refer to Section 14.4 (6 and 8V engine) or 14.4.1 (16V engine) for the idle speed adjustment.

Adjustment of the maximum no-load speed is accomplished by varying the tension on the variable speed spring by the installation or removal of stops and shims (Fig. 1). Refer to Section 14.4 (6 and 8V engines) or 14.4.1 (16V engine) for the maximum no-load speed adjustment.

Lubrication

The governor is lubricated by a spray of lubricating oil from the blower end plate. The governor weights distribute this oil to all parts of the governor assembly requiring lubrication.

Oil returning from the governor is directed through passages in the blower end plate and cylinder block to the engine oil pan.

Remove Governor From Engine (6 and 8V Engines)

Governor operation should be checked as outlined in Section 2.7 before the governor is removed from the engine. If, after performing these checks, the governor fails to control the engine properly, it should be removed and reconditioned.

1. Open the drain cocks and drain the engine cooling system.
2. Remove any accessories attached to the cylinder

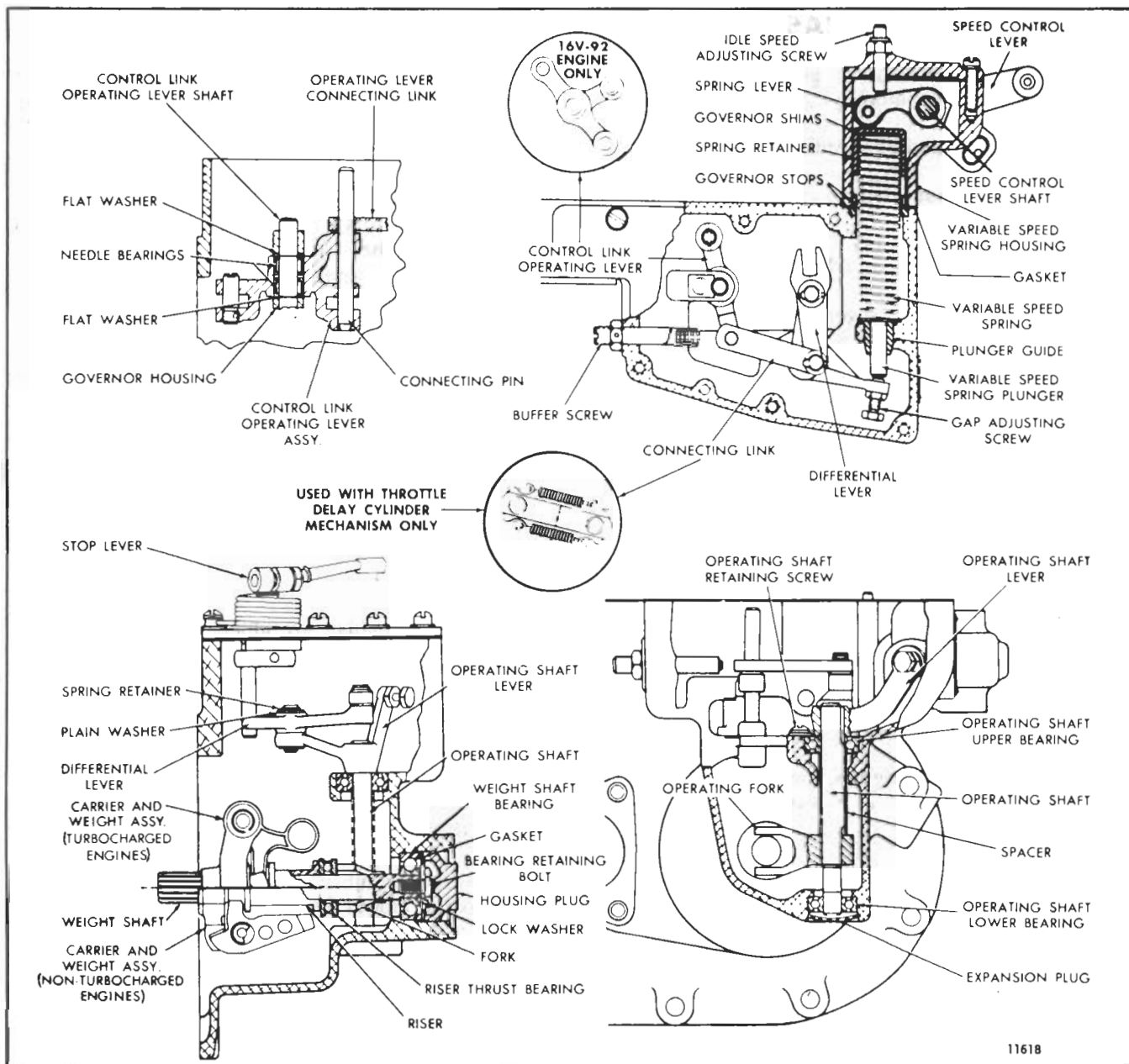


Fig. 1 - Cross Sections of Variable Speed Mechanical Governor

head, governor or front end of the engine that interfere with the removal of the governor assembly.

3. Disconnect the control linkage from the speed control and stop levers (Fig. 2).

4. Remove the end of the stop lever return spring from behind the head of the special governor cover attaching screw. Then remove the eight screws and

lock washers securing the governor cover to the housing. Lift the cover and gasket from the housing.

5. Remove the fuel rods from the control link operating lever assembly (Fig. 1) and the injector control tube levers as follows:

- a. Remove the valve rocker covers from the cylinder heads.

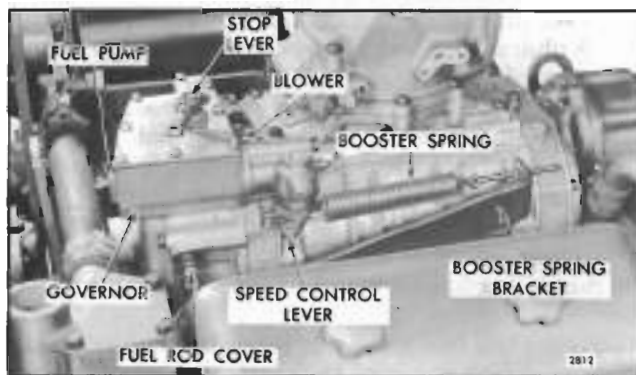


Fig. 2 - Variable Speed Governor Mounting (6 and 8V Engines)

- b. Remove the right bank fuel rod by removing the screw type pin, in the control link operating lever, and the clevis pin in the control tube lever and withdraw the fuel rod from the governor.
 - c. Remove the left-bank fuel rod by removing the clevis pin in the control tube lever and lift the connecting pin up out of the control link operating lever approximately three-quarters of an inch. Then withdraw the fuel rod from the governor.
6. Loosen the hose clamps at each end of the water by-pass tube. Slide the hoses and clamps onto the by-pass tube and remove the tube from the engine.
 7. Disconnect and remove the fuel oil lines attached to

the fuel pump and the crossover fuel oil line attached to each cylinder head.

8. Loosen the outer booster spring adjusting nut and remove the booster spring from the speed control lever.

9. Loosen the hose clamps on the fuel rod cover tube hoses next to each cylinder head and slide each hose and clamp up on the tube in the governor housing.

10. Note the location of the two copper, one plain and eight lock washers on the governor to blower bolts before removing them. Then remove the ten bolts and washers (two inside and eight outside) securing the governor and fuel pump assembly to the blower.

11. Tap the sides of the governor housing slightly with a plastic hammer to loosen the governor from the blower. Then pull the governor and fuel pump assembly straight out from the dowels in the blower end plate. Remove the governor to blower gasket.

NOTE: The fuel pump drive coupling fork may stay on either the fuel pump or the blower rotor shaft. Remove the drive coupling fork.

12. Remove the three bolt and seal assemblies securing the fuel pump assembly to the governor housing. Remove the fuel pump and gasket from the governor housing.

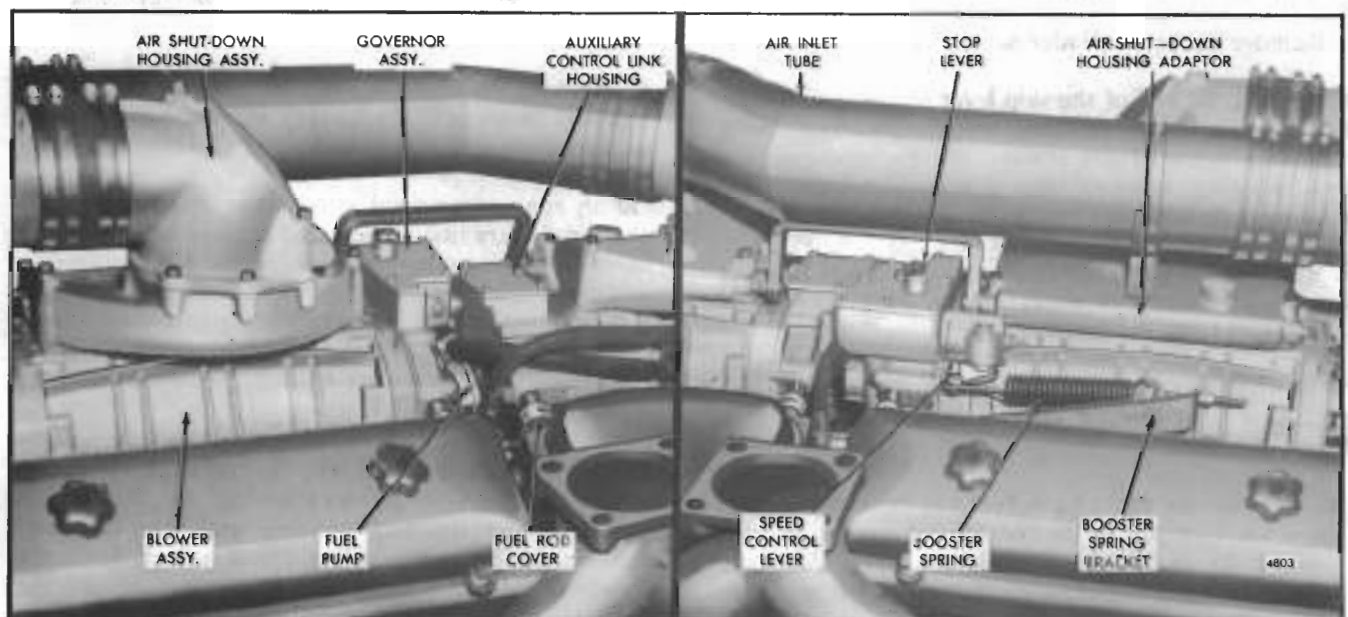


Fig. 3 - Variable Speed Governor Mounting (16V Engine)

Remove Governor from Engine (16V Engine)

Governor operation should be checked as outlined in Section 2.7 before the governor is removed from the engine. If, after performing these checks, the governor fails to control the engine properly, it should be removed and reconditioned.

1. Disconnect the linkage attached to the governor speed control and stop levers.

2. On a non-turbocharged engine, disconnect the air inlet tube attached to the air shutdown housing on each blower.

On a turbocharged engine, disconnect the tube from the turbocharger and the air shutdown housing on the rear blower.

3. On a non-turbocharged engine, remove the air shutdown housings and the air shutdown adaptor from the rear blower.

NOTE: Remove the two air shutdown housings, with attaching rod, as a unit from the adaptors or the blowers.

On a turbocharged engine, disconnect the shutdown rod from the lever on the rear air shutdown housing. Then remove the air shutdown housing and the air shutdown adaptor as an assembly from the blower.

4. Cover the top of the blower with masking tape to prevent the entry of foreign material.

5. Remove the rear cylinder head rocker covers.

6. Remove the end of the stop lever return spring from behind the head of the special governor cover attaching screw. Then remove the eight screws and lock washers securing the governor cover to the housing. Lift the cover and gasket from the housing.

7. Remove the governor auxiliary control link housing cover screws and lock washers, then remove the cover and gasket from the housing.

8. Disconnect the fuel rods from the control link operating lever and the injector control tube levers as follows:

- a. Remove the right bank fuel rod by removing the screw type pin in the control link operating lever and the pin in the control tube lever. Withdraw the fuel rod out through the top of the governor housing.
- b. Remove the left bank fuel rod by removing the connecting pin from the control link operating

lever and the pin in the control tube lever. Withdraw the fuel rod out through the top of the governor housing.

9. Remove the connecting link from the ball joint stud attached to the control link operating lever in the governor housing and the auxiliary control link housing by lifting, or prying each end of the connecting link off of the ball joint studs. Then remove the connecting link from the governor housing.

10. Loosen the fuel rod cover hose clamp at each side of the governor housing. Then slide each hose against the governor housing. Tighten each clamp to retain it on the hose.

11. Loosen the hose clamp between the governor housing and the auxiliary control link housing. Then slide the hose forward against the auxiliary control link housing. Tighten the clamp to retain it on the hose.

12. Disconnect the fuel pump inlet and outlet tubes or hoses from the fuel pump. Then remove the fuel pump from the governor housing.

13. Loosen the outer booster spring adjusting nut and remove the booster spring from the speed control lever. Then remove the booster spring bracket from the cylinder head.

14. Disconnect the blower drive support oil tube from the fitting in the blower drive support. Loosen the two bolts securing the oil tube seal ring retaining plate to the blower end plate, then push the oil tube into the end plate.

15. Remove the six bolts and lock washers securing the flywheel housing hole cover, at the blower drive support, then remove the cover and gasket.

On an engine equipped with a rear mounted battery-charging alternator, loosen and remove the alternator drive belt. Then remove the alternator drive pulley nut and pulley from the alternator drive shaft. Remove the bolts and lock washers securing the alternator drive assembly to the flywheel housing, then remove the drive assembly, gasket and drive coupling from the flywheel housing.

On an engine equipped with a hydraulic oil pump, remove the six bolts and lock washers securing the oil pump to the flywheel housing and adaptor, then remove the oil pump, adaptor and gaskets from the flywheel housing. Remove the drive coupling and the drive coupling hub from the blower drive shaft.

16. Remove the blower drive shaft retaining snap ring from the blower drive coupling, then remove the

blower drive shaft from the blower drive hub and the blower drive support.

17. Loosen the blower drive support-to-blower hose (seal) clamps. Then push the hose (seal) back on the blower drive support.

18. Remove the bolt and washer through the top of each blower end plate securing the blower to the cylinder block.

19. Remove the bolts and retaining washers on each side of the blower securing the blower to the cylinder block.

20. Thread eyebolts in diagonally opposite tapped holes in the top of the blower housing. Then attach a rope sling and chain hoist to the eyebolts.

21. Lift the blower assembly slightly and move it forward to detach the blower from the hose (seal). Then lift the blower away from the engine and place it on a bench. Remove the blower to cylinder block gasket.

22. With the blower and governor assembly removed from the engine, remove the ten bolts, lock washers, plain washer and copper washers securing the governor assembly to the blower end plate. Slide the governor assembly forward off of the dowel pins in the end plate, then remove the governor to blower end plate gasket.

Disassemble Governor

Before removing any of the parts from the governor,

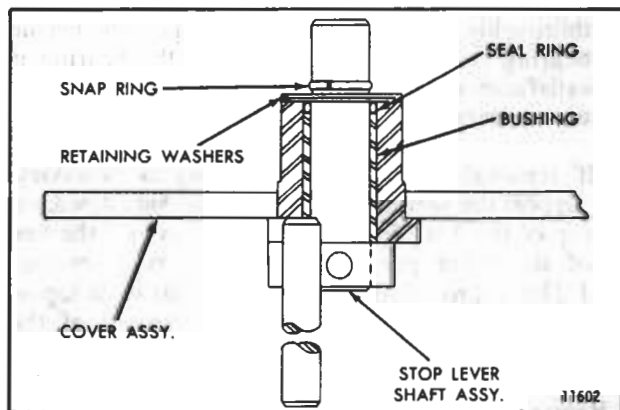


Fig. 4 - Cross Section of Governor Cover Assembly

wash the entire unit in clean fuel oil, dry it with compressed air and inspect it for worn or damaged parts which may be repaired or replaced without complete disassembly.

1. Disassemble the governor cover (Fig. 4) as follows:

- a. Clamp the cover assembly in a vise equipped with soft jaws.
- b. Loosen the stop lever retaining bolt and pull the lever from the shaft. Remove the return spring from the shaft.
- c. Remove the snap ring from the groove in the stop lever shaft and remove the two seal ring retaining washers.
- d. Pull the stop lever shaft out of the cover and remove the seal ring (on top of the bushing) from the cover.
- e. At this stage of disassembly, wash the cover assembly (containing the bushing) thoroughly in clean fuel oil and inspect the bushing for wear and damage. If the bushing is satisfactory for further use, removal is unnecessary.
- f. If bushing removal is necessary, support the inner face of the cover over the opening in the bed of an arbor press. Place the remover J 21967 on top of the stop shaft bushing and press the bushing out of the cover (Fig. 5).

2. Remove the variable speed spring, spring plunger and spring housing assembly from the governor housing as follows:

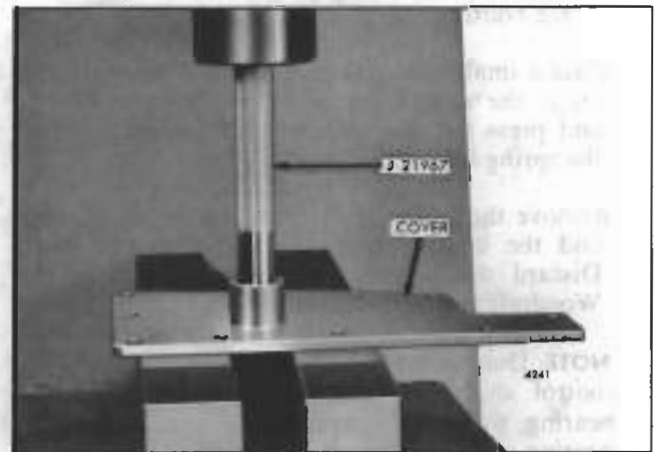


Fig. 5 - Removing Stop Lever Shaft Bushing from Governor Cover

- a. Clamp the flange of the governor housing in a vise equipped with soft jaws.
- b. Remove the two bolts and lock washers securing the variable speed spring housing to the governor housing. Then withdraw the spring housing, spring retainer, shims, split stop and spring as an assembly from the governor housing. Remove the spring housing gasket.
- c. Remove the variable speed spring, split stop, shims and spring retainer from the spring housing. Then remove the spring plunger from the plunger guide.
- d. Remove the spring retainer solid stop from the governor housing.
- e. If necessary, remove the variable speed spring plunger guide from the governor housing with a small brass rod and hammer.

3. Disassemble the variable speed spring housing:

- a. Loosen the bolt securing the speed control lever to the speed control shaft and pull the lever from the shaft.
- b. Remove the Woodruff key and flat washer from the speed control shaft.
- c. Remove the pipe plug in the top of the variable speed spring housing. Then remove the variable speed spring lever set screw from the speed control shaft and spring lever (Fig. 6).
- d. Place a 3/4" inside diameter sleeve approximately 1-1/2" long on the bed of an arbor press. Support the spring housing assembly on top of the sleeve with the cup plug (if used) in the side of the housing over the opening of the sleeve.
- e. Place a small brass rod on the end of the shaft and under the ram of the press, as shown in Fig. 7, and press the plug (if used) and bearing out of the spring housing.
- f. Remove the spring lever from the spring housing and the bearing from the speed control shaft. Discard the bearing. If necessary, remove the Woodruff key from the shaft.

NOTE: Due to the Woodruff key in the speed control shaft, the inner end of the needle bearing will be damaged when pressing the bearing and cup plug out of the spring housing. Do not attempt to reuse the bearing.

- g. At this stage of disassembly, wash the spring housing (containing the remaining bearing)

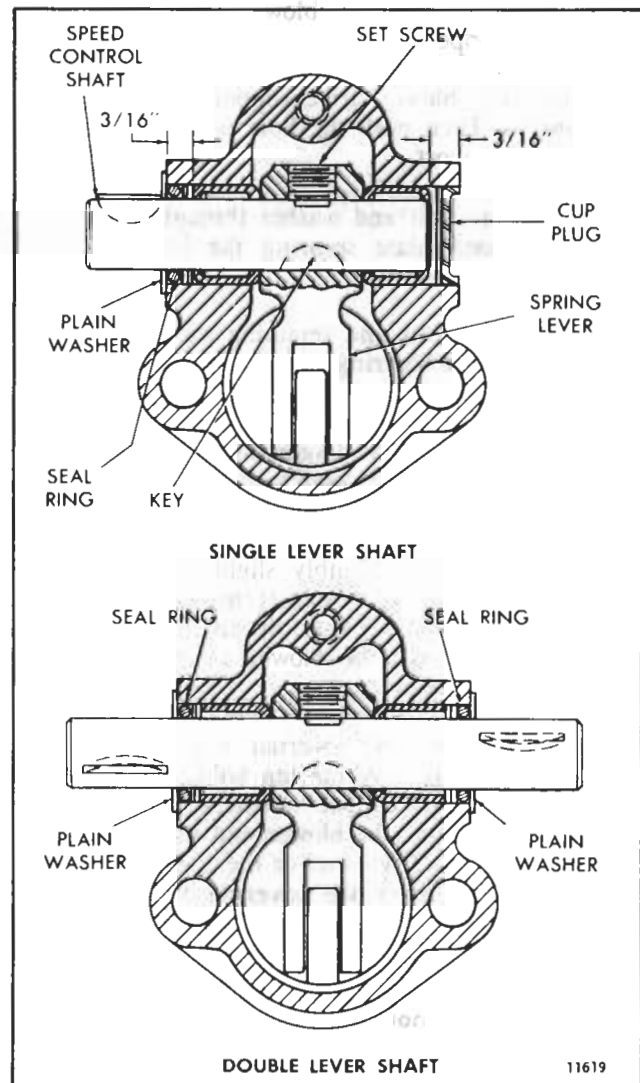


Fig. 6 - Cross Section of Governor Variable Speed Spring Housing

thoroughly in clean fuel oil and inspect the needle bearing for wear and damage. If the bearing is satisfactory for further use, removal is unnecessary.

- h. If removal of the needle bearing is necessary, support the spring housing, bearing side down, on top of the 3/4" inside diameter sleeve on the bed of the arbor press. Insert the bearing remover J 21967 through the housing and rest it on top of the bearing, then press the bearing out of the housing.
4. Remove the governor weight and shaft assembly from the governor housing as follows:
 - a. Clamp the flange of the governor housing in a vise equipped with soft jaws.

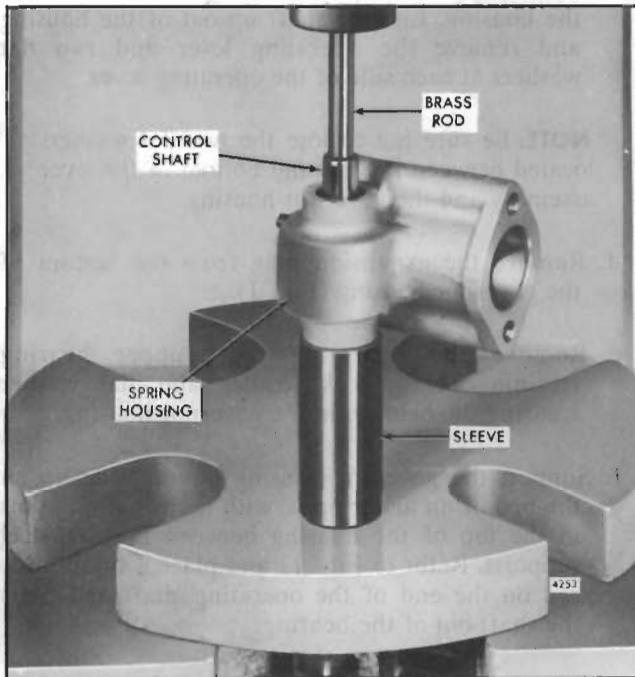


Fig. 7 - Removing Speed Control Shaft, Bearing and Cup Plug from Variable Speed Spring Housing

- b. Remove the governor weight housing plug and gasket (Fig. 1).
- c. Bend the tang on the lock washer away from the head of the bolt. Then, while holding the weight

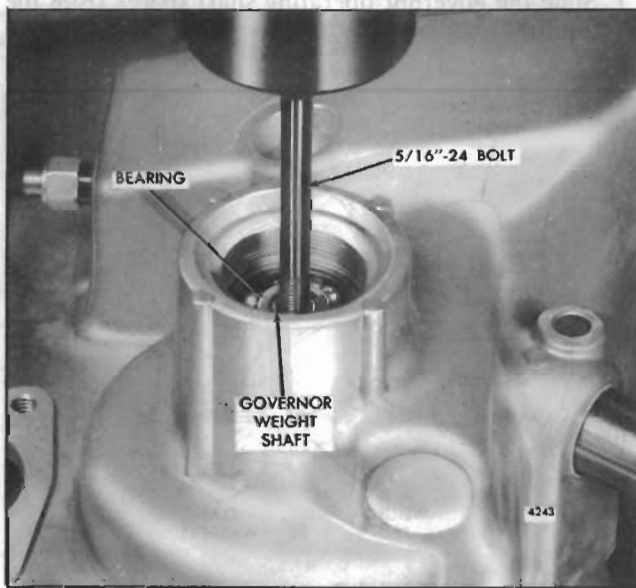


Fig. 8 - Removing Governor Weight Shaft Assembly from Governor Housing

carrier from turning, remove the bearing retaining bolt, flat washer and lock washer.

- d. Thread a 5/16\"-24 x 3\" bolt into the bearing retaining bolt hole. Support the governor housing on the bed of an arbor press and press the governor weight shaft from the bearing as shown in Fig. 8.
- e. Slide the governor riser thrust bearing and riser from the weight shaft.

NOTE: The thrust bearing is specially designed to absorb thrust load; therefore, looseness between the mating parts does not indicate excessive wear.

- f. Remove the weight shaft bearing from the governor housing. If necessary, use a small brass rod and hammer and tap the bearing out of the housing.

5. Refer to Fig. 9 and remove the governor weights from the carrier and shaft assembly as follows (non-turbocharged engines):

- a. Matchmark the weights and carriers with paint or a center punch for identification.
- b. Remove the retaining rings from the weight pins. Then drive the pins out of the carrier and the weights by tapping on the grooved end of the pins. Remove the governor weights.

6. Disassemble the governor weights and shaft assembly as follows (turbocharged engines only):

- a. If removal of the weight carrier assembly from the shaft is necessary, support the shaft, weight carrier and sleeve on the bed of an arbor press as shown in Fig. 11, and press the shaft out of the weight carrier assembly.

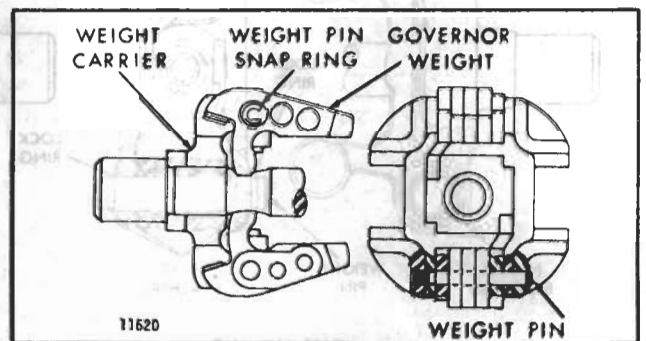


Fig. 9 - Cross Section of Governor Weight Assembly (Non-Turbocharged Engines)

- b. Refer to Fig. 10 and remove the lock ring from the weight pin with a pair of snap ring pliers. Then remove the weight pin, flat washers and weight assembly from the weight carrier. Remove the second weight from the carrier in the same manner.
 - c. At this stage of disassembly, wash the weights (containing the needle bearing) thoroughly in clean fuel oil and inspect the bearings for wear and damage. If the bearings are satisfactory for further use, removal is unnecessary.
 - d. If removal of the needle bearing is necessary, support the weight on a 5/8" inside diameter sleeve on the bed of an arbor press (Fig. 12). Place the bearing remover J 8985 on top of the bearing and under the ram of the press. Then press both bearings out of the weight.
 - e. Remove the needle bearings from the second weight in the same manner.
7. Remove the governor linkage and operating shaft from the governor housing as follows:
- a. Remove the spring retainer and plain washer securing the connecting link to the differential lever and remove the connecting link.
 - b. Remove the spring retainer and plain washer securing the differential lever to the operating shaft lever and remove the differential lever.
 - c. Remove the screw, lock washer and lock plate securing the control link operating lever shaft in

the housing. Lift the shaft up out of the housing and remove the operating lever and two flat washers at each side of the operating lever.

NOTE: Be sure not to lose the two flat washers located between the top and bottom of the lever assembly and the governor housing.

- d. Remove the expansion plug from the bottom of the governor housing (Fig. 1).
- e. Remove the operating shaft upper bearing retaining screw, lock washer and flat washer securing the bearing in the governor housing.
- f. Support the governor housing bottom side up on the bed of an arbor press, with the two dowel pins in the top of the housing between the two steel supports. Refer to Fig. 13 and place a small brass rod on the end of the operating shaft and press the shaft out of the bearing.
- g. With the housing still supported on the bed of the press, place a 9/16" open end wrench under the operating fork as shown in Fig. 14. Place a brass rod on the end of the shaft and press the fork off of the operating shaft. Remove the shaft, operating lever and bearing as an assembly from the housing.
- h. Remove the operating shaft lower bearing from the bottom of the governor housing.
- i. Slide the governor operating shaft spacer from the shaft.

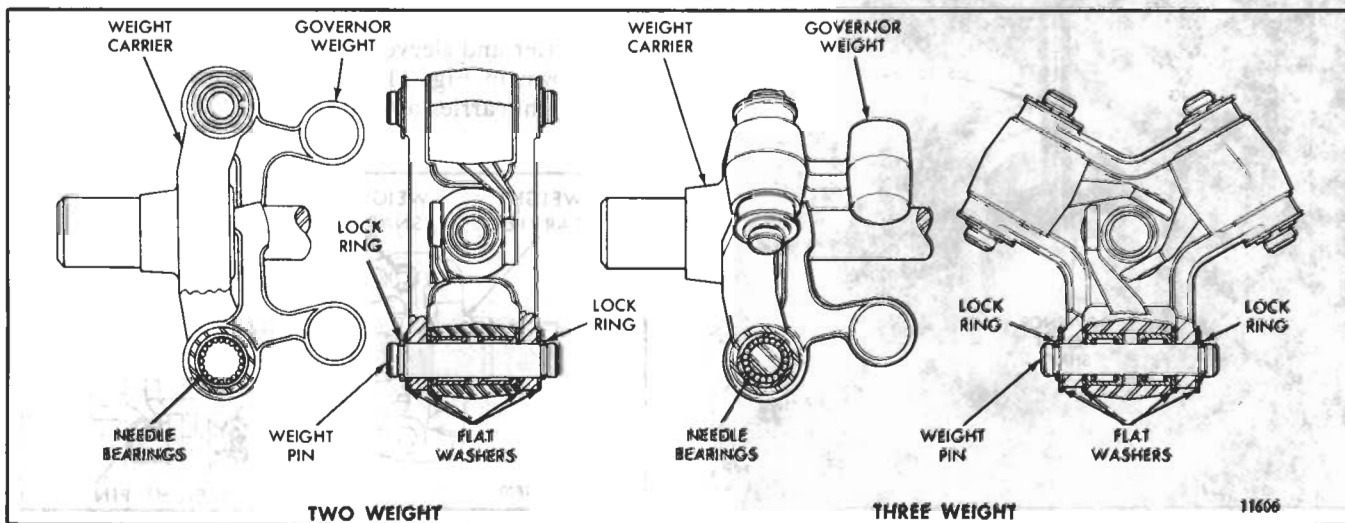


Fig. 10 - Cross Section of Governor Weight Assemblies (Turbocharged Engines)

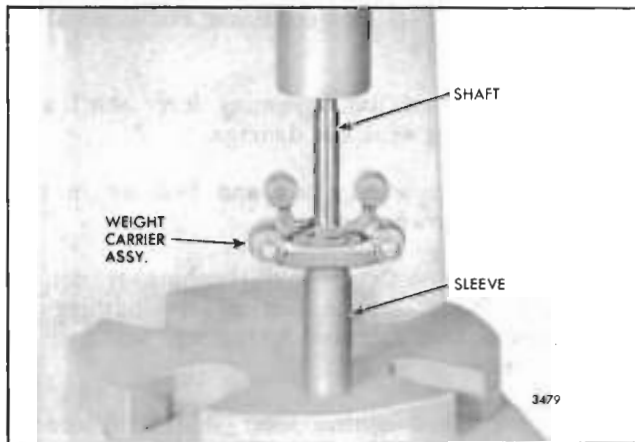


Fig. 11 - Removing Governor Weight Shaft from Weight Carrier Assembly

- j. Place a short 9/16" inside diameter sleeve over the end of the operating shaft and rest it against the inner race of the bearing on the current operating shaft, or the flat washer under the bearing on the former operating shaft.
- k. Support the operating shaft, lever, bearing and sleeve on a large washer or plate, with a 5/8" hole, on the bed of an arbor press as shown in Fig. 15. Place a small brass rod on the end of the shaft and under the ram of the press. Then press the operating shaft out of the operating lever and bearing. Catch the shaft by hand when pressed from the lever and bearing to prevent it from falling and being damaged.

NOTE: Be sure that the bearing inner race is resting on the sleeve or the bearing may be damaged.

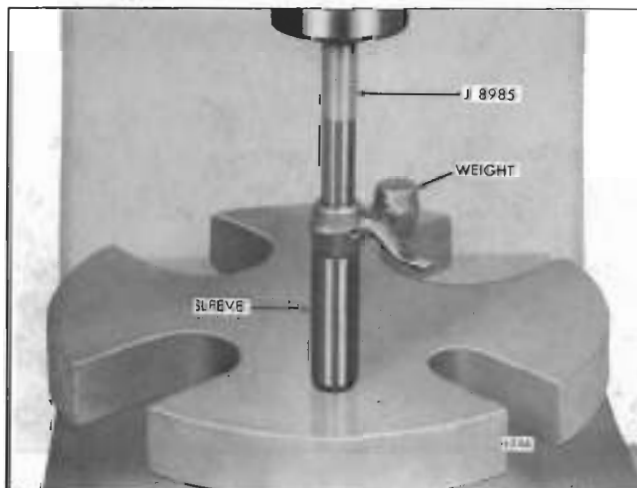


Fig. 12 - Removing Governor Weight Bearings

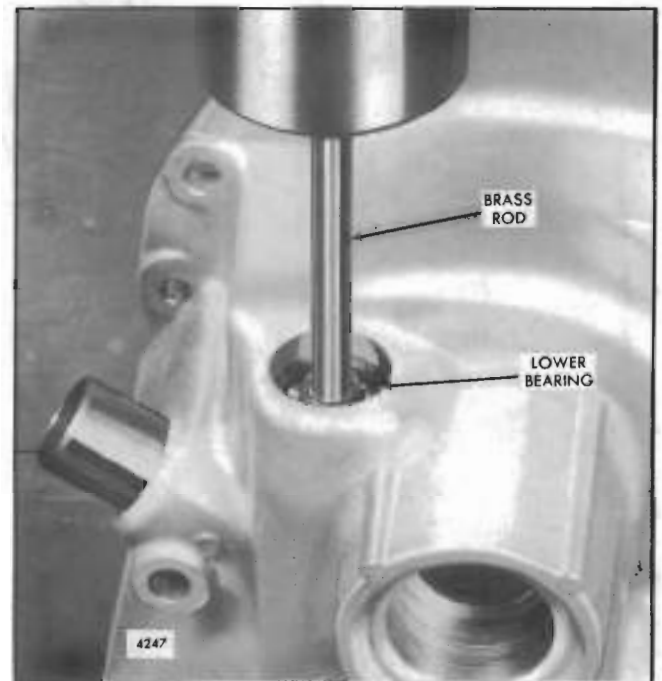


Fig. 13 - Removing Operating Shaft from Operating Shaft Lower Bearing

- l. At this stage of disassembly, wash the control link operating lever (containing the bearings) thoroughly in clean fuel oil and inspect the needle bearings for wear or damage. If the bearings are satisfactory for further use, removal is unnecessary.

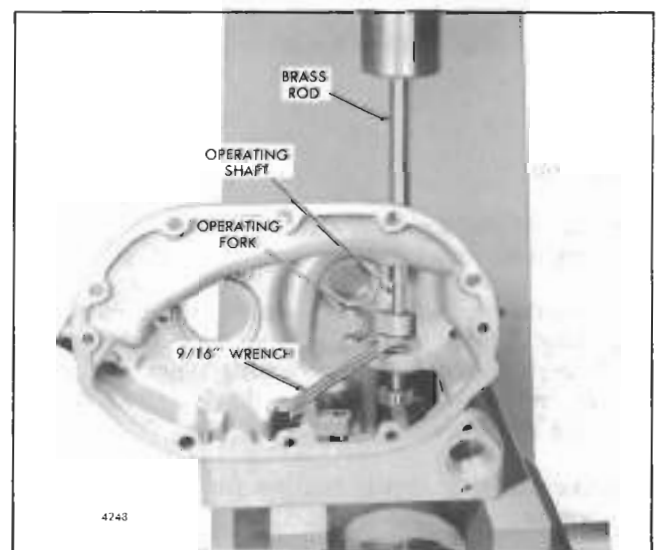


Fig. 14 - Removing Operating Fork, Operating Shaft and Lever Assembly from Governor Housing

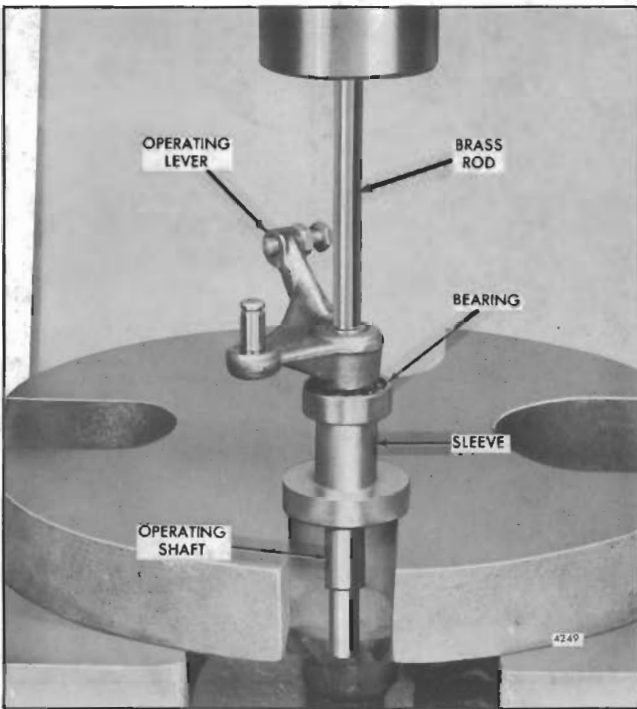


Fig. 15 - Removing Operating Lever and Upper Bearing from Operating Shaft

m. If removal of the needle bearing is necessary, support the control link operating lever on a sleeve and rest the sleeve on the bed of an arbor press. Place tool J 8985 on top of the bearing and under the ram of the press. Then press both bearings out of the lever as shown in Fig. 16.

8. Remove the buffer screw from the governor housing.

Inspection

Wash all of the governor parts in clean fuel oil and dry them with compressed air.

Examine the bearings for any indications of corrosion or pitting. Lubricate each bearing with light engine oil. Then, while **holding the bearing inner race** from turning, revolve the **outer race** slowly by hand and check for rough spots.

Examine the riser thrust bearing for excessive wear, flat spots or corrosion.

Examine the weight carrier pins and needle bearings in the weights for wear.

Examine the governor weight at the riser contact area

for excessive wear. If this condition exists, install a new governor weight.

Examine the control link operating lever shaft and needle bearings for wear and damage.

Examine the stop lever shaft and bushing in the governor cover for wear.

NOTE: The stop lever shaft bushing is not serviced. When replacement of the bushing becomes necessary, it must be replaced with two needle bearings.

Examine the speed control lever shaft and needle bearings in the variable speed spring housing for wear.

Examine the variable speed spring lever roller and pin for excessive wear. The roller type bearing rides on a hardened bearing pin which is a press fit in the spring lever and is staked at three places on both sides.

Examine the variable speed spring plunger, guide and spring retainer for wear or score marks. If the retainer or plunger are scored slightly, clean them up with crocus cloth. Replace the retainer, plunger and guide if scored excessively.

Inspect the adjusting screw, lock nut, pins, seal rings and any other parts in the governor housing for wear or defects that might affect the governor operation.

Replace all of the parts that are worn or damaged.

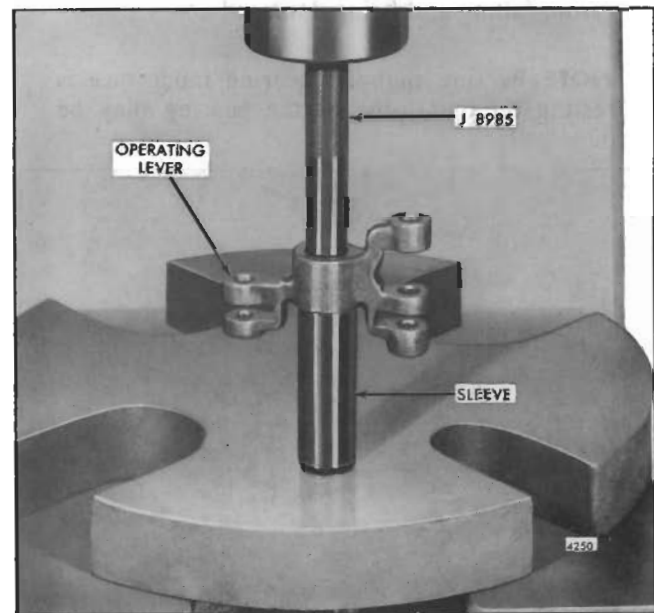


Fig. 16 - Removing Operating Lever Needle Bearings

Assemble Governor

With all of the governor parts cleaned and inspected and the necessary new parts on hand, the governor may be assembled.

Refer to Figs. 1 and 17 for the location of the various parts and assemble the governor as follows:

1. Install the operating shaft and governor linkage in the governor housing as follows:
 - a. Lubricate the inside diameter of the governor operating shaft upper bearing with engine oil. Start the bearing, numbered side up, straight on the large end of the operating shaft. Support the bearing and operating shaft on a 9/16" inside diameter sleeve on the bed of an arbor press, with the inner race of the bearing resting on the sleeve. Then press the shaft into the bearing until 1/4" of the shaft protrudes through the bearing.
 - b. Lubricate the inside diameter of the governor operating shaft lever with engine oil. Start the lever, pivot pin in the operating lever facing up, straight on the operating shaft with the flat on the shaft registering with the flat surface in the lever. Support the operating lever, bearing and shaft on the bed of an arbor press with a steel support directly under the center of the lever, then press the operating shaft through the bearing and lever until the end of the shaft contacts the steel support.

NOTE: The upper end of the shaft must be flush with the top surface of the lever.
 - c. Place the operating shaft spacer over the lower end of the shaft and slide it against the upper bearing inner race.
 - d. Insert the end of the governor operating shaft, bearing, spacer and lever assembly through the upper bearing bore in the governor housing with the lever positioned as shown in Fig. 1.
 - e. Lubricate the inside diameter of the governor operating shaft fork with engine oil. Then place the operating fork over the lower end of the shaft, with the finished cam surfaces on the fork fingers facing the rear of the governor housing and the flat on the shaft registering with the flat surface in the fork.
 - f. Support the governor housing and operating shaft assembly on the bed of an arbor press with the upper end of the operating shaft resting on a steel support as shown in Fig. 18. Place a 7/16" inside diameter sleeve over the end of the shaft and against the fork. Then press the fork tight against the shaft spacer on the shaft.
 - g. Lubricate the governor operating shaft lower bearing with engine oil. Start the bearing, numbered side up, straight in the governor housing and over the end of the operating shaft.
 - h. Support the governor housing and operating shaft assembly on the bed of an arbor press with the upper end of the operating shaft resting on a steel support as shown in Fig. 18. Place a 7/16" inside diameter sleeve on the inner race of the bearing and under the ram of the press. Then press the bearing on the shaft until it seats on the shoulder in the housing.
 - i. Install the governor operating shaft upper bearing retaining flat washer, lock washer and screw in the governor housing (Fig. 1).
 - j. Apply a thin coat of good quality sealant around the edge of a new expansion plug. Place the plug, concave side up, in the opening in the housing next to the lower operating shaft bearing. Tap the center of the plug with a hammer to secure the plug in the housing.
 - k. Place the differential lever over the pivot pin in the operating lever, with the pin in the lever up, and secure it in place with a plain washer and spring retainer.
 - l. If previously removed, install the governor gap adjusting screw and lock nut in the tapped hole in the operating shaft lever.
 - m. If removed, place the control link operating lever on the bed of an arbor press, with a steel support under the bearing bore. Lubricate the outer surface of the bearing with engine oil and start the bearing, numbered end up, straight into the bore of the lever. Insert the pilot end of installer J 8985 in the bearing and under the ram of the press. Then press the bearing into the lever until it is flush with the top surface of the lever. Reverse the lever on the press and install the second bearing in the same manner.
 - n. Lubricate the control link operating lever needle bearings with Shell Alvania No. 2 grease, or equivalent. Place the lever in position between the two bosses inside the governor housing. Insert a flat washer on each side of the lever (Fig. 1). Then install the control link operating lever shaft with the slot (in the side at one end of the shaft) up.
 - o. Align the slot in the control link operating lever shaft with the lock clip screw hole in the boss next

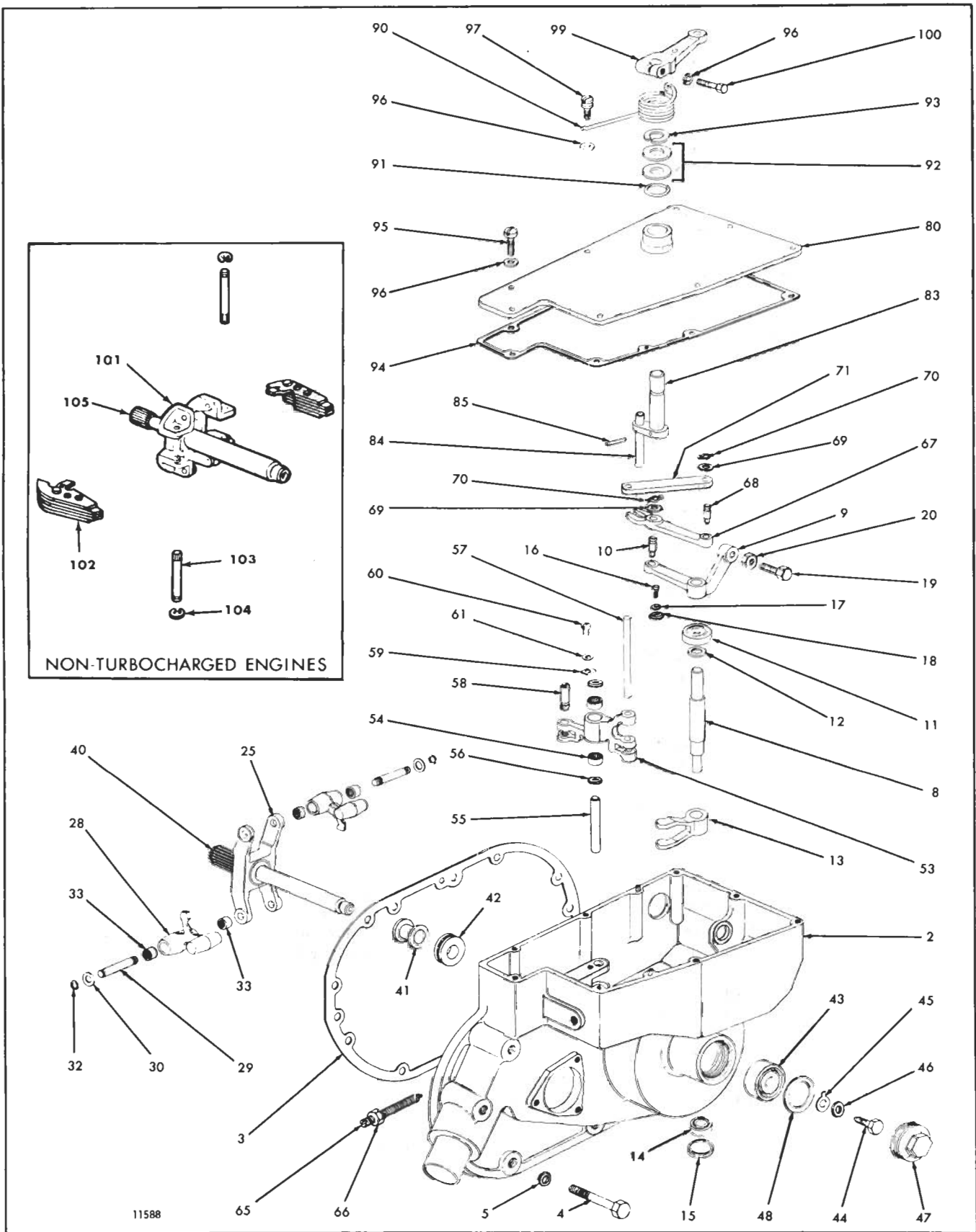


Fig. 17 - Variable Speed Governor Details and Relative Location of Parts

- | | | | |
|-------------------------------------|--------------------------------------|--|-----------------------------------|
| 2. Housing-Governor | 28. Weight-Governor | 58. Pin-Fuel Rod | 90. Spring-Stop Lever |
| 3. Gasket-Housing to Blower | 29. Pin-Weight | 59. Clip-Operating Lever Shaft Lock | 91. Ring-Stop Shaft Seal |
| 4. Bolt-Housing to Blower | 30. Flat Washer | 60. Screw-Lock Clip | 92. Washer-Seal Ring Retainer |
| 5. Lock Washer | 32. Snap Ring-Weight Pin | 61. Lock Washer | 93. Snap Ring-Stop Shaft |
| 8. Shaft-Governor Operating | 33. Bearing-Weight | 65. Screw-Buffer | 94. Gasket-Governor Housing Cover |
| 9. Lever-Operating Shaft | 40. Shaft-Weight Carrier | 66. Lock Nut-Buffer Screw | 95. Screw-Housing Cover |
| 10. Pin-Shaft Lever | 41. Riser-Governor | 67. Lever-Governor Differential | 96. Lock Washer |
| 11. Bearing-Operating Shaft (Upper) | 42. Bearing-Riser Thrust | 68. Pin-Differential Lever | 97. Screw-Housing Cover Special |
| 13. Fork-Operating Shaft | 43. Bearing-Weight Carrier Shaft End | 69. Washer-Differential Lever and Connecting Link Flat | 99. Lever-Governor Stop |
| 14. Bearing-Operating Shaft (Lower) | 44. Bolt-Bearing Retainer | 70. Retainer-Spring | 100. Bolt-Stop Lever |
| 15. Plug-Expansion | 45. Lock Washer-Special | 71. Link-Operating Lever Connecting | 101. Carrier-Governor Weight |
| 16. Screw-Bearing Retaining | 46. Flat Washer | 80. Cover-Governor Housing | 102. Weight-Governor |
| 17. Lock Washer | 47. Plug-Governor Housing | 83. Shaft-Stop Lever | 103. Pin-Weight |
| 18. Flat Washer | 48. Gasket-Housing Plug | 84. Pin-Fulcrum Lever | 104. Ring-Weight Pin Retainer |
| 19. Screw-Gap Adjusting | 53. Lever-Control Link Operating | 85. Pin-Stop Lever Shaft | 105. Shaft-Weight Carrier |
| 20. Lock Nut | 54. Bearing-Operating Lever | | |
| 21. Spacer-Operating Shaft | 55. Shaft-Operating Lever | | |
| 25. Carrier-Governor Weight | 56. Washer-Operating Lever Shim | | |
| | 57. Pin-Fuel Rod Connecting (Short) | | |

Fig. 17 - Variable Speed Governor Details and Relative Location of Parts

to the shaft. Install the lock clip, lock washer and screw and tighten the screw securely.

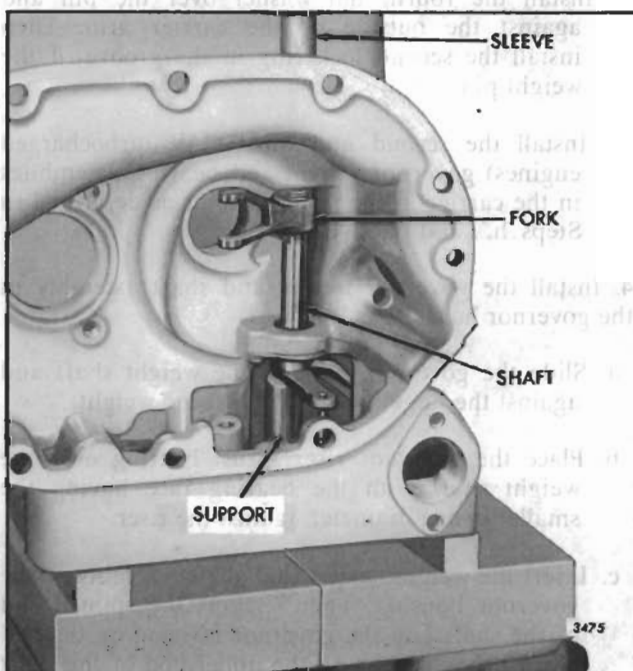


Fig. 18 - Installing Governor Operating Shaft Fork on Shaft

p. Place one end of the connecting link over the differential lever pin and secure it in place with a plain washer and spring retainer (Fig. 1). Place the opposite end of the connecting link on top of the control link operating lever and install the connecting pin.

q. If removed, thread the lock nut on the buffer screw and thread the buffer screw (Fig. 1) into the governor housing.

2. Assemble the governor weights and carrier and shaft assembly as follows (non-turbocharged engines):

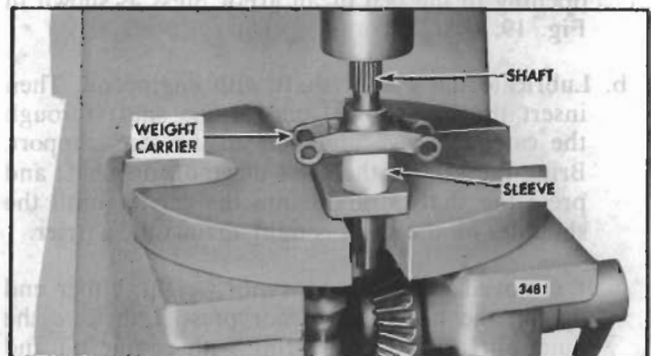


Fig. 19 - Installing Governor Weight Shaft in Weight Carrier

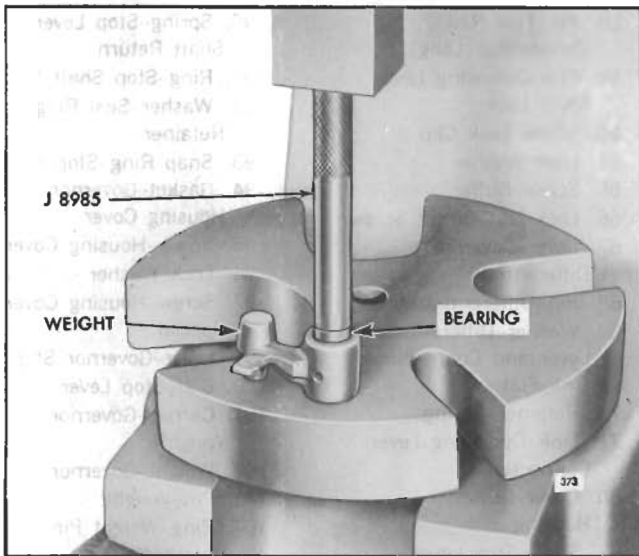


Fig. 20 - Installing Bearings in Governor Weight

- a. Refer to Fig. 9 and position the weights on opposite sides of the weight carrier. Note the matchmarks placed on the weight carrier and weights at the time of disassembly.
 - b. Drive the weight pins in place and install the retaining rings. To install a weight pin correctly, push the grooved end through the smaller hole in the carrier and through the weight. Then drive the knurled end in just enough so the retaining ring can be installed on the pin.
 - c. Lubricate the weight shaft with clean engine oil.
3. Assemble the governor weight and shaft assembly as follows (turbocharged engine only):
- a. Support the weight carrier (rear face up) on a sleeve and a steel support (with a 1" hole) over an opening in the bed of an arbor press as shown in Fig. 19.
 - b. Lubricate the weight shaft with engine oil. Then insert the non-splined end of the shaft through the carrier, sleeve and hole in the steel support. Bring the ram of the press down on the shaft and press the shaft straight into the carrier until the shoulder on the shaft is tight against the carrier.
 - c. If removed, place the governor weight, either end up, on the bed of an arbor press. Lubricate the outer surface of the bearing with engine oil and start the bearing, numbered end up, straight into the bore of the weight.
 - d. Insert the pilot end of installer J 8985 in the bearing and under the ram of the press as shown in Fig. 20. Then press the bearing straight in the weight until it is flush with the top of the weight. Reverse the weight on the press and install the second bearing in the same manner.
 - e. Install the bearings in the second weight in the same manner as described in Steps c and d above.
 - f. Lubricate the needle bearings with Shell Alvania No. 2 grease, or equivalent.
 - g. Position the weight carrier and shaft assembly on a bench with one pair of the weight pin arms facing up.
 - h. Refer to Fig. 10 and install a lock ring in the groove at one end of the weight pin. Place a flat washer over the opposite end of the pin and against the lock ring. Insert the pin through the bearing in the carrier arm and place a second flat washer over the pin and against the carrier arm.
 - i. Position the governor weight and bearing assembly between the arms of the weight carrier as shown in Fig. 10. Push the weight pin just through the weight. Insert a third flat washer between the inner face of the carrier arm and the weight and push the pin through the washer and the carrier arm.
 - j. Install the fourth flat washer over the pin and against the outside of the carrier arm. Then install the second lock ring in the groove of the weight pin.
 - k. Install the second and third (16V turbocharged engines) governor weight and bearing assemblies in the carrier in the same manner as described in Steps h, i and j above.
4. Install the governor weight and shaft assembly in the governor housing as follows:
- a. Slide the governor riser on the weight shaft and against the fingers of the high speed weight.
 - b. Place the governor riser thrust bearing over the weight shaft with the bearing race having the smaller inside diameter against the riser.
 - c. Insert the weight carrier and shaft assembly in the governor housing. Then support the splined end of the shaft and the governor housing on the bed of an arbor press with the upper end of the shaft under the ram of the press.
 - d. Place the weight shaft bearing in the governor housing (numbered side up) and start it straight

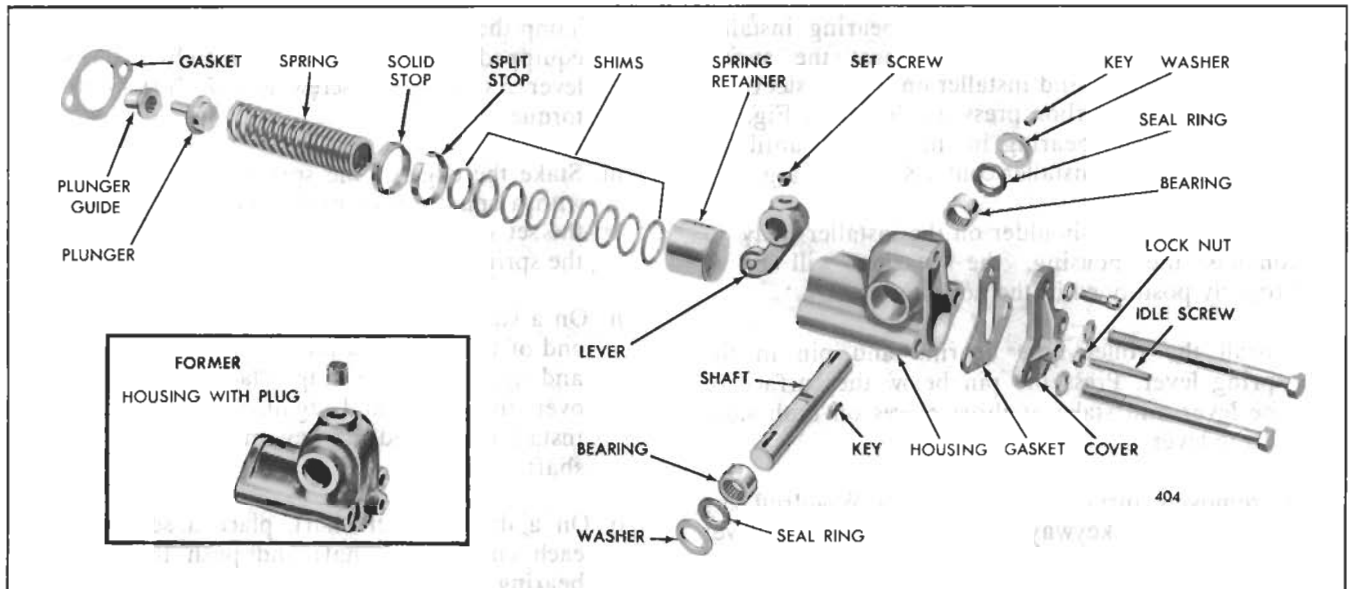


Fig. 21 - Variable Speed Spring Housing Details and Relative Location of Parts

on the end of the weight carrier shaft. Place a sleeve with a 1/2" inside diameter on top of the bearing inner race. Bring the ram of the press down on the sleeve and press the bearing into the housing and against the shoulder on the shaft.

- e. Place the special lock washer on the end of the weight carrier shaft with the tang on the inner diameter of the washer in the notch in the end of the shaft.
- f. Place the flat washer on the bearing retainer bolt and thread the bolt into the shaft. Clamp the splined end of the weight carrier shaft in the soft jaws of a bench vise and tighten the bearing retainer bolt to 15-19 lb-ft (20-26 Nm) torque. Bend the tang on the lock washer against the head of the bolt.
- g. Place a gasket in the housing and against the bearing. Apply a Loctite sealant grade HV, or equivalent, to the full 360° circumference of the plug and thread the plug into the tapped end of the governor weight housing. Tighten the plug to 45 lb-ft (61 Nm) torque.

NOTE: Rotate the governor weight assembly. If bind exists, remove the housing plug and check to see if the weight shaft bearing is fully seated in the governor housing.

5. Refer to Figs. 6 and 21 for the location of the parts and assemble the variable speed spring housing as follows:

- a. Lubricate the speed control lever shaft needle

bearings with Shell Alvania No. 2 grease, or equivalent. Then start one of the bearings, numbered end up, straight in the bearing bore in the right hand side of the spring housing as viewed in Fig. 6.

- b. Install the needle bearing pilot rod J 9196-2 in the installer body J 9196-1 and secure it in place with the retaining screw.

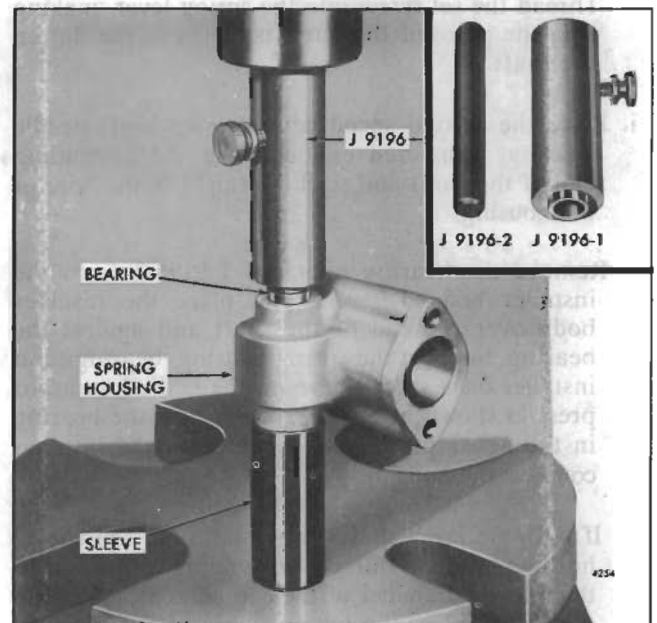


Fig. 22 - Installing Speed Control Shaft Bearings in Spring Housing

- c. Place the pilot rod end of the bearing installer assembly in the bearing. Support the spring housing, bearing and installer on a short sleeve on the bed of an arbor press as shown in Fig. 22. Then press the bearing in the housing until the shoulder on the installer contacts the housing.
- NOTE:** When the shoulder on the installer body contacts the housing, the bearing will be properly positioned in the housing.
- d. Install the roller type bearing and pin in the spring lever. Press the pin below the surface of the lever and stake at three places on both sides of the lever.
- e. If removed, install the spring lever Woodruff key in the center keyway in the speed control lever shaft.
- f. Place the spring lever assembly between the bearing bores inside the spring housing with the arm (roller end) of the lever facing out.
- g. Insert the correct end of the speed control lever shaft (Fig. 6), single or double lever type, through the bearing bore in the side of the spring housing, opposite the bearing previously installed. Align the key in the shaft with the keyway in the spring lever and push the shaft through the lever and in the bearing until the flat on the top of the shaft is centered under the set screw hole in the lever.
- h. Thread the set screw into the spring lever, making sure the point of the screw is seated in the flat on the shaft.
- i. Place the second speed control lever shaft needle bearing, numbered end up, over the protruding end of the shaft and start it straight in the bore of the housing.
- j. Remove the bearing pilot rod J 9196-2 from the installer body J 9196-1 and place the installer body over the end of the shaft and against the bearing. Support the spring housing, bearings and installer on a short sleeve on the bed of an arbor press as shown in Fig. 22. Then press the bearing in the housing until the shoulder on the installer contacts the housing.
- k. If a single lever shaft was installed in the spring housing, apply a thin coat of sealing compound to the outside diameter of the cup plug. Start the cup plug straight in the bearing bore in the housing, then support the spring housing, bearings and shaft assembly on a sleeve on the bed of an arbor press and press the cup plug in flush with the outside face of the housing.
- l. Clamp the spring housing assembly in a bench vise equipped with soft jaws. Then tighten the spring lever retaining set screw to 5-7 lb-ft (7-10 Nm) torque.
- m. Stake the edge of the spring lever set screw hole with a small center punch and hammer to retain the set screw in the lever. Then install the plug in the spring housing.
- n. On a single lever shaft, place a seal ring over the end of the shaft and push it into the bearing bore and against the bearing. Place the plain washer over the shaft and against the housing, then install the Woodruff key in the keyway in the shaft.
- o. On a double lever shaft, place a seal ring over each end of the shaft and push them into the bearing bores and against the bearings. Place a plain washer over each end of the shaft and against the housing, then install a Woodruff key in the keyway at each end of the shaft.
- p. Place the speed control lever(s) on the shaft in its original position. Align the keyway in the lever with the key in the shaft and push the lever in against the plain washer and secure it in place with the retaining bolt and lock washer.
- q. If removed, thread the lock nut on the idle speed adjusting screw. Then thread the idle speed adjusting screw into the spring housing approximately 1" .
6. Refer to Figs. 1 and 21 and attach the variable speed spring plunger guide, plunger, retainer, shims, spring, stops and spring housing assembly to the governor housing as follows:
- a. Clamp the flange of the governor housing in a vise equipped with soft jaws.
- b. If removed, start the variable speed spring plunger guide straight in the boss inside the governor housing and tap it into place with a small brass rod and hammer.
- c. Lubricate the small end of the variable speed spring plunger with engine oil. Then insert the plunger in the plunger guide inside the governor housing (Fig. 1).
- d. Place the spring retainer solid stop in the counterbore of the governor housing.
- e. Lubricate the outside diameter of the variable speed spring retainer with engine oil. Insert the spring retainer, solid end first, into the spring housing and against the spring lever.

- f. Place the same amount of shims in the spring retainer that were removed, thin shims first. Then insert the spring retainer split stop in the spring housing approximately 1/16" from the finished face of the housing.

NOTE: Be sure to use shims with an 11/32" inside diameter and a spring retainer with three bleed holes when a two-spring assembly is used. On the one-spring assembly, either spring retainer may be used with shims which have a 3/4" I.D. However, do not use the 11/32" I.D. shims with a spring retainer which has only one air bleed hole.

- g. Affix a new gasket to the forward face of the spring housing. Then insert the variable speed spring into the spring housing and spring retainer with the tightly wound end of the spring against the shims in the retainer. If a two spring assembly is used, insert the inner spring inside the outer spring.
- h. Place the variable speed spring housing into position against the governor housing with the speed control lever facing the bottom of the governor (Fig. 2), and the variable speed spring over the end of the spring plunger (Fig. 1) inside the governor housing.
- i. Install the two spring housing retaining bolts and lock washers. Tighten the bolts to 13-17 lb-ft (18-23 Nm) torque.
7. Refer to Figs. 4 and 17 for the location of the various parts and assemble the governor cover as follows:
- a. If the stop lever bushing (Fig. 4) was removed

from the cover, place the cover, inner face down, on two steel supports on the bed of an arbor press as shown in Fig. 23. Refer to "NOTE" under *Inspection*, then lubricate the new needle bearing with engine oil and start the bearing, numbered end up, straight in the bearing bore in the cover boss.

- b. Place the correct end of the installer J 21068 in the bearing and under the ram of the press. Then press the bearing into the cover until the stop on the installer contacts the boss on the cover.
- c. Reverse the cover, inner face up, on the bed of an arbor press. Lubricate the second bearing with engine oil and start the bearing, numbered end up, straight in the bore in the cover boss.
- d. Place the bearing installer J 21068 in the bearing and under the ram of the press. Then press the bearing in the bore until it is flush with the face of the boss.
- e. Lubricate the stop lever shaft needle bearings with Shell Alvania No. 2 grease, or equivalent. Then insert the stop shaft through the bearings in the cover.
- f. Place the seal ring over the shaft and push it into the bearing bore and against the bearing. Place the two seal ring retainer washers on the shaft and against the cover boss. Then install the snap ring in the groove in the shaft.
- g. Place the stop shaft lever return spring over the stop shaft with the hooked end of the spring facing up. Install the stop lever on the shaft and secure it in place with the retaining bolt and lock washer.

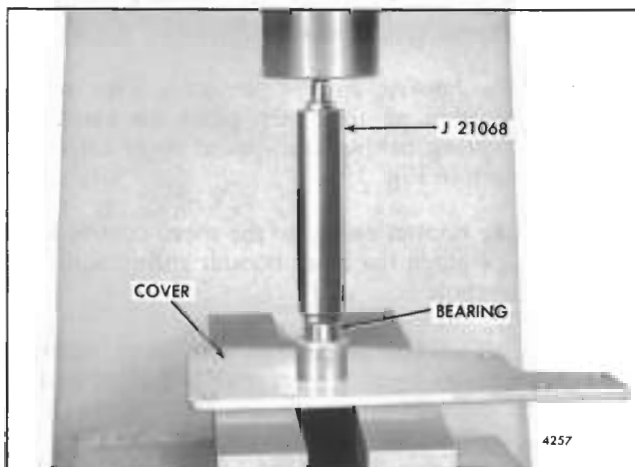


Fig. 23 - Installing Bearings in Governor Cover

Install Governor on Engine (6 and 8V Engines)

1. Affix a new gasket to the bolting flange of the fuel pump. Place the fuel pump against the governor housing in its original position and secure it in place with the three bolt and seal assemblies. Tighten the bolts to 13-17 lb-ft (18-23 Nm) torque.
2. If removed, place a fuel rod cover tube hose and clamp on each fuel rod cover tube at each side of the governor housing.
3. Affix a new gasket to the forward face of the blower end plate.
4. Place the fuel pump drive fork on the fuel pump shaft. Position the governor and fuel pump assembly in front of the blower. Rotate the fuel pump fork until

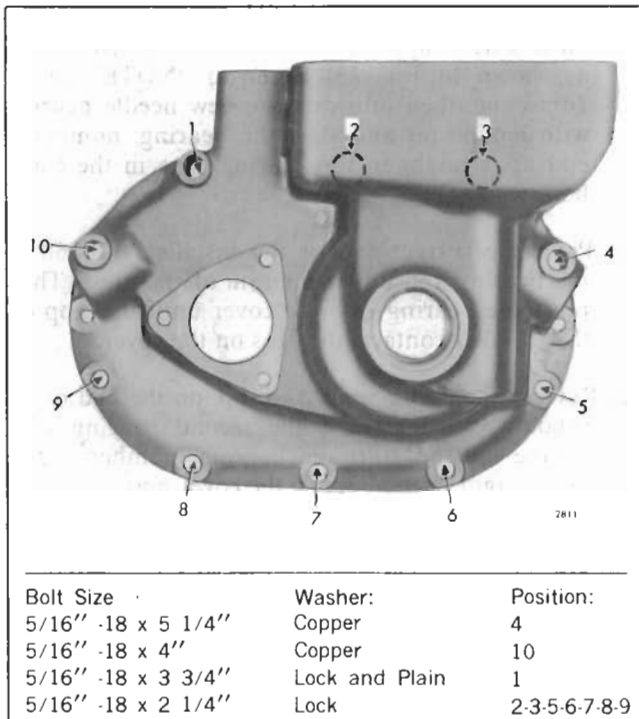


Fig. 24 - Location and Size of Governor Retaining Bolts

the prongs of the fork align with the slots in the drive disc. Rotate the weight shaft and align the splines on the shaft with the splines in the blower rotor.

5. Push the governor straight back over the dowels in the blower end plate and against the gasket.

6. Refer to Fig. 24 for the location and install the bolts, lock washers, copper washers and plain washer which secure the governor to the blower. Tighten the bolts to 13-17 lb-ft (18-23 Nm) torque.

7. Slide each fuel rod cover tube hose down on the cover tubes attached to the cylinder heads and tighten the hose clamps.

8. Install and connect the crossover fuel oil line to each cylinder head and connect the fuel oil lines to the fuel pump.

9. Place the water by-pass tube between the two thermostat housings and slide the hoses part way on the thermostat housings. Position the by-pass tube so it clears the governor, fuel pump and fuel oil lines. Then tighten the hose clamps.

10. Install the fuel rods between the cylinder heads and the governor as follows:

- a. Insert the lower end of the left-bank fuel rod down through the top of the governor housing and

through the fuel rod cover tubes to the injector control tube lever.

- b. Raise the connecting pin up in the connecting link lever (Fig. 1). Insert the end of the fuel rod between the two bosses on the lever and insert the connecting pin through the fuel rod and into the lower boss.
- c. Connect the opposite end of the fuel rod to the injector control tube lever with a clevis pin and cotter pin.
- d. Insert the lower end of the right-bank fuel rod down through the top of the governor housing and through the fuel rod cover tubes to the injector control tube lever.
- e. Remove the short screw pin from the control link operating lever. Insert the end of the fuel rod between the two bosses on the lever and install the screw pin. Tighten the pin securely.
- f. Connect the opposite end of the fuel rod to the injector control tube lever with a clevis pin and cotter pin.

11. Affix a new gasket to the top of the governor housing. Place the governor cover assembly on the governor housing with the pin in the stop control shaft assembly in the slot of the differential lever and the dowel pins in the housing in the dowel pin holes in the cover.

12. Refer to Fig. 2 for the location of the stop lever return spring special screw. Then install the eight governor cover attaching screws and lock washers. Tighten the screws securely.

NOTE: The short cover attaching screw with the drilled head goes in the corner hole next to the variable speed spring housing.

13. With the hooked end of the stop lever return spring in position on the lever, place the extending end of the spring behind the special cover attaching screw as shown in Fig. 2.

14. Attach the booster spring to the speed control lever (Fig. 2) and tighten the outer booster spring adjusting nut on the eyebolt.

15. Install all of the accessories that were removed from the cylinder head, governor or the front end of the engine.

16. Connect the control linkage to the speed control and stop levers.

17. Close the drain cocks and fill the cooling system.

18. Perform the governor and injector rack control adjustment as outlined in Section 14.4.

Install Governor on Engine (16V Engine)

1. Affix a new governor housing gasket to the forward face of the blower end plate. Position the governor in front of the end plate. Align the splines of the weight shaft with the splines in the blower rotor. Then push the weight shaft in the rotor and slide the governor housing over the dowel pins in the end plate and against the gasket.

2. Refer to Fig. 24 for bolt location and install the bolts, lock washers, plain washer and copper washers which secure the governor to the blower. Tighten the bolts to 13-17 lb-ft (18-23 Nm) torque.

3. Affix a new blower housing gasket to the cylinder block with a good grade of gasket cement to prevent the gasket from shifting when the blower is lowered into position.

4. Thread eyebolts in diagonally opposite tapped holes in the top of the blower housing. Then attach a rope sling and chain hoist to the eyebolts.

5. Lift the blower and governor assembly, at a slight angle, and position it on top of the cylinder block, with the flange of the rear end plate cover inside the blower drive shaft cover hose.

6. Thread a 7/16"-14 x 8-1/4" bolt and special washer finger tight in the center hole of each blower end plate. Then install the 3/8"-16 x 5-1/2" bolts and retaining washers finger tight at each side of the blower housing.

NOTE: The lip at the beveled end of the bolt retaining washer goes in the small recess in the housing just above the bolt slot.

7. Tighten the bolts as follows:

- a. First, tighten the blower-to-block end plate bolts to 40-60 lb-ft (54-81 Nm) torque.
- b. Then tighten the blower housing-to-block side angle bolts uniformly to 30-35 lb-ft (41-47 Nm) torque in 5 lb-ft (7 Nm) increments.
- c. Recheck the blower-to-block end plate bolts.

8. Slide the blower drive support-to-blower hose (seal) and clamps into position and tighten the clamps.

9. Insert the blower drive shaft through the blower drive coupling and into the blower drive hub and

install the retaining snap ring in the groove in the coupling.

10. Affix a new gasket to the flywheel housing hole cover, then attach the cover to the flywheel housing with six bolts and lock washers.

On an engine equipped with a rear mounted battery-charging alternator, affix a new gasket to the alternator drive assembly. Place the alternator drive coupling on the drive hub, then place the drive assembly into position and align the slots in the drive coupling with the drive hub on the blower drive gear. Place the drive assembly against the flywheel housing and install the bolts, lock washers and alternator adjusting strap. Install the alternator drive pulley and drive belt.

On an engine equipped with a hydraulic oil pump, refer to *Attach Oil Pump to Engine* in Section 9.1.2 in the *Reverse and Reduction Gear Service Manual*. 6SE355.

11. Connect the blower drive support oil tube to the fitting in the blower drive support. Then tighten the two seal ring retaining plate bolts to 13-17 lb-ft (18-23 Nm) torque.

12. Affix a new gasket to the fuel pump flange, then install the fuel pump drive fork and fuel pump on the governor housing. Connect the fuel pump inlet and outlet tubes or hoses to the fuel pump.

13. Slide the governor housing-to-auxiliary control link housing hose and clamp into position between the two housings and tighten the hose clamp.

14. Slide the fuel rod cover hose down on the cover tube attached to the cylinder head at each side of the governor housing and tighten the hose clamps.

15. Place the control link operating lever connecting link in position in the governor and auxiliary housings and connect it to the ball joint studs in the control link operating levers.

16. Install the fuel rods between the cylinder heads and the governor as follows:

- a. Insert the lower end of the left-bank fuel rod down through the top of the governor housing and through the fuel rod cover tubes to the injector control tube lever.
- b. Raise the connecting pin up in the connecting link lever (Fig. 1). Insert the end of the fuel rod between the two bosses on the lever and insert the connecting pin through the fuel rod and into the lower boss.
- c. Connect the opposite end of the fuel rod to the

injector control tube lever with a clevis pin and cotter pin.

- d. Insert the lower end of the right-bank fuel rod down through the top of the governor housing and through the fuel rod cover tubes to the injector control tube lever.
- e. Remove the short screw pin from the control link operating lever. Insert the end of the fuel rod between the two bosses on the lever and install the screw pin. Tighten the pin securely.
- f. Connect the opposite end of the fuel rod to the injector control tube lever with a clevis pin and cotter pin.

17. Place a new auxiliary control link housing cover gasket on the housing, then install the cover and secure it in place with screws and lock washers.

18. Place a new governor housing cover gasket on the housing, then install the cover and secure it in place with screws and lock washers.

19. If removed, attach the booster spring bracket to the cylinder head. Then attach the booster spring to the

speed control lever (Fig. 3) and tighten the outer booster spring adjusting nut on the eyebolt.

20. Install the cylinder head rocker covers.

21. On a non-turbocharged engine, remove the cover from the top of the blower. Place the blower screen, wire side down, on top of the blower and install the air shutdown adaptor. Then attach the air shutdown housings and gaskets to the adaptors.

On a turbocharged engine, remove the cover from the top of the blower. Place the blower screen, wire side down, and install the air shutdown adaptor and air shutdown housing as an assembly on the blower. Then attach the shutdown rod to the lever on the shutdown housing.

22. On a non-turbocharged engine, connect the air inlet tubes to the air shutdown housings.

On a turbocharged engine, attach the air inlet tube to the rear air shutdown housing and the turbocharger.

23. Connect the linkage to the governor speed control and stop levers.

24. Perform an engine tune-up as outlined in Section 14.4.1.

HYDRAULIC GOVERNORS

Horsepower requirements on an engine may vary due to fluctuating loads. Therefore, some method must be provided to control the amount of fuel required to hold the engine speed reasonably constant during load fluctuations. To accomplish this control, a governor is introduced in the linkage between the throttle control and the fuel injectors.

Engines, subjected to varying load conditions that require an automatic fuel compensation to maintain more nearly constant engine speed with a minimum speed droop, are equipped with a hydraulic governor.

In the hydraulic governor, the fuel is decreased by the action of the governor throttle control terminal lever retracting spring and increased by the opposing action of the power piston. A pilot valve controls the admission of oil flow to the power piston and the movement of the pilot valve in turn is controlled by the governor flyweights. The centrifugal force of these flyweights is opposed by the speeder spring compression which may be varied and yet accurately set and held at any speed between idle and maximum speed. The speed droop, which is the difference between no-load speed and full-load speed, is adjustable to within a very small percentage at maximum speed.

Check Governor Operation

Governor difficulties are usually indicated by speed variations of the engine. However, it does not necessarily mean that all such speed fluctuations are caused by the governor. Therefore, when improper speed variations appear, check the unit as follows:

1. Make sure the speed changes are not the result of excessive load fluctuations.

2. Check the engine to be sure that all of the cylinders are firing properly (refer to Section 15.2). If any cylinder is not firing properly, remove and test the injector and, if necessary, replace or recondition it.

3. Check for bind that may exist in the governor operating mechanism or in the linkage between the governor and the injector control tube. With the fuel rods connected to the injector control tube levers, the mechanism must be free from bind throughout the entire travel of the injector racks. If friction exists in the mechanism, locate and correct it as follows:

- a. If an injector rack sticks or moves too hard, check the injector hold-down clamp. If it is too tight or improperly positioned, loosen the clamp bolt,

reposition the clamp and re-tighten the bolt to 20-25 lb-ft (27-34 Nm) torque.

- b. An internal dirt accumulation, a defective plunger and bushing or a bent injector control rack can result in bind. To correct this condition, remove the injector, then recondition and test it.
- c. An improperly positioned control rack lever will result in a binding injector rack. To relieve the bind, loosen the control rack lever adjusting screws. Then relocate the lever on the control tube and position it as outlined in Section 14.
- d. If the injector control tube binds in its support brackets, it will prevent free movement of the injector control racks to their no-fuel position. Loosen and re-align the control tube supporting brackets, then tighten the bolts to correct this condition. Reposition the injector racks after re-aligning the support brackets.
- e. Replace an injector control tube return spring which has been bent or otherwise distorted. When the injector control tube and the injector racks are free from bind, the control tube will return to the no-fuel position by action of the return spring.

NOTE: Never stretch or tamper with an injector control tube return spring to change its tension. Use a new spring.

- f. Check for bind in the pins which connect the fuel rods to the injector control tube levers. If necessary, remove the pins and polish them with fine emery cloth.

4. If neither load, engine irregularities or bind are found to be the cause of the speed variations, the trouble is probably in the governor or governor drive. Check as follows:

- a. If the speed changes noted are in rapid oscillation (governor hunting), adjust the speed droop of the governor as outlined in Section 14. This applies only if the governor is overhauled or where the speed droop has been changed from the original factory setting.
- b. Worn blower rotor bearings or rubbing of the rotors on the housing will cause the load on the blower drive coupling (between the gear train and the blower) to vary erratically. This variation in load will be transmitted as a speed change to the governor. The governor will act to compensate for

the change by moving the fuel rods. If this condition exists, inspect the blower.

c. If the speed variations are small in magnitude, check the governor drive. Excessive or insufficient clearance between the bevel drive gears can cause this condition.

d. If the speed variations are large and erratic and unaffected (except, perhaps, in magnitude) by changes in the speed droop adjustment, or if the

governor fails to control the speed at all, replace or overhaul the governor.

If, after making these checks, the governor fails to control the engine properly, remove and recondition the governor.

To be certain whether the governor or engine is at fault, install a new governor (with the same part number) and check the performance of the engine.

SG HYDRAULIC GOVERNOR

Variable Speed

The governor (Fig. 1) is a hydraulic type with a speed droop stabilization mechanism. Hydraulic action is transmitted by oil admitted under pressure from the engine lubricating system to an auxiliary oil pump in the governor. The auxiliary pump then develops the oil pressure necessary to actuate the governor mechanism.

To stabilize the governor, a speed droop adjustment is incorporated in the governor mechanism. The speed droop is regulated by a droop adjusting bracket attached to the top of the terminal lever. To decrease the governor droop move the droop adjusting bracket **IN** and move it in the opposite direction to increase the governor droop.

The governor operates in such a manner that the amount of fuel supplied to the injectors is increased by the hydraulically operated power piston and decreased by action of the fuel rod spring.

The governor is located at the front of the 6 and 8V engines (Fig. 5) and at the center of the 16V engine (Fig. 6). It is mounted on the governor drive housing which also serves as the blower front cover (rear blower on the 16V engine).

The governor is driven by one of the blower rotors through a horizontal drive shaft and bevel gear and a vertical driven sleeve and bevel gear, both mounted on ball bearings and retained in the governor drive housing.

The injector control tubes are actuated by the governor through a linkage consisting of the fuel rods, vertical link, and levers, connected as shown in Fig. 2 in Section 2.8.3.

Two pairs of fuel rods are used on the 16V engine. Each pair of rods is connected to a shaft and lever assembly. The two shaft and lever assemblies, mounted on self-aligning bearings, are connected to a common lever to which the vertical link is attached.

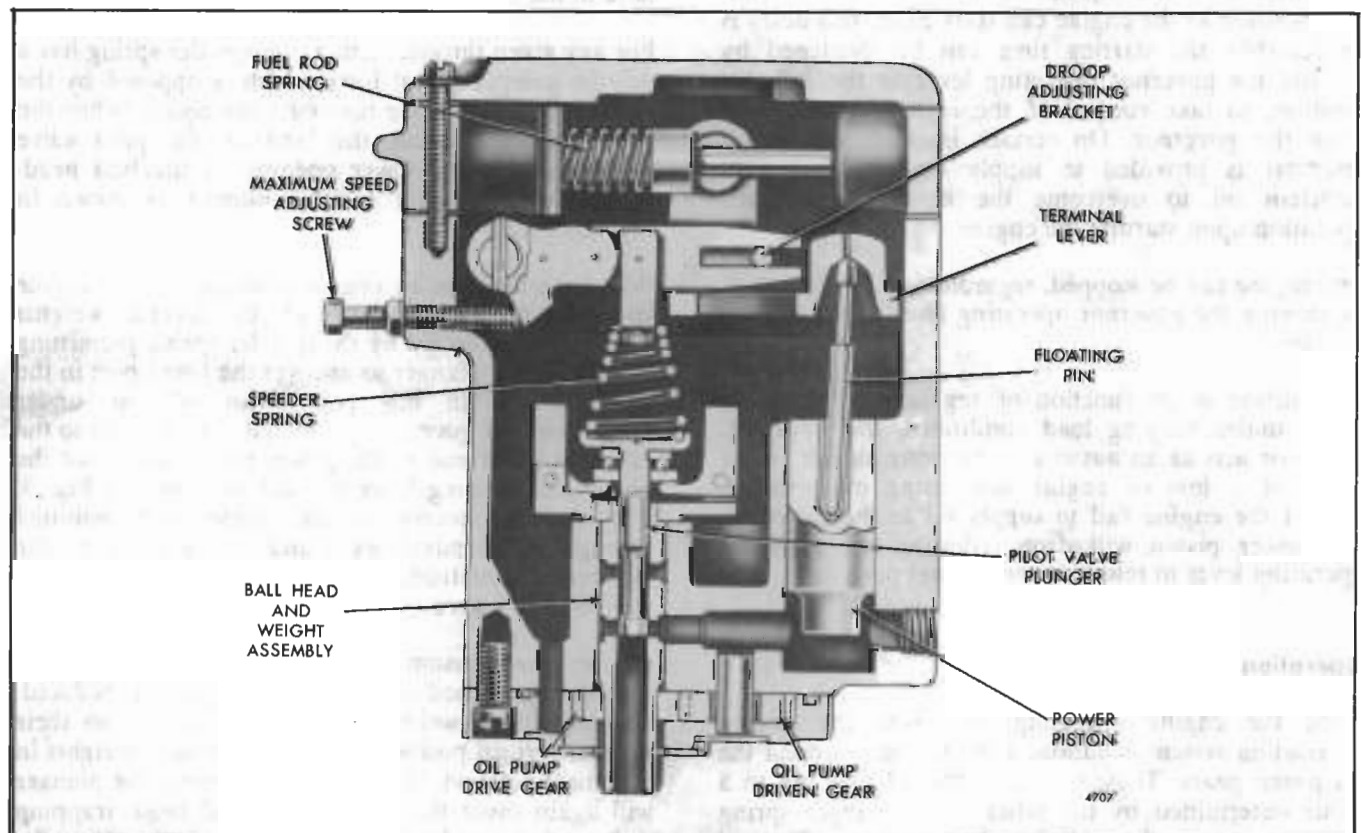


Fig. 1 - Hydraulic Governor Assembly

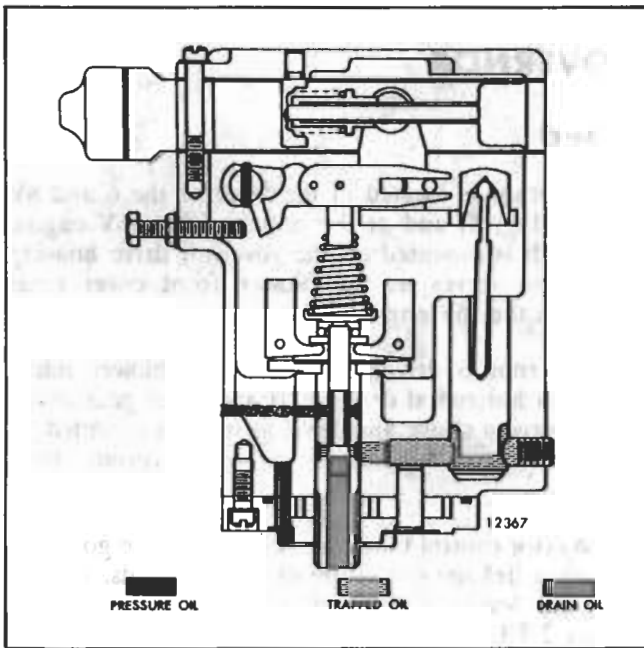


Fig. 2 - Position of Governor Mechanism when Load is Constant

When starting a cold engine, time is required to develop sufficient oil pressure to operate the governor and thus move the injector control racks to the full-fuel position so the engine can start. Since this delay is undesirable, the starting time can be shortened by moving the governor operating lever to the full-fuel position, to take control of the injector racks away from the governor. On certain installations, an oil reservoir is provided to supply the governor with sufficient oil to overcome the delay in governor operation upon starting the engine.

The engine can be stopped, regardless of the governor, by moving the governor operating lever to the no-fuel position.

In addition to its function of regulating the engine speed under varying load conditions, the hydraulic governor acts as an automatic shutdown device in the event of a loss of engine lubricating oil pressure. Should the engine fail to supply oil to the governor, the power piston will drop, allowing the governor operating lever to return to the no-fuel position.

Operation

With the engine operating, oil from the engine lubrication system is admitted to the space around the oil pump gears. The gears raise the oil pressure to a value determined by the relief valve plunger spring which opposes the relief valve plunger. The oil pressure is maintained in the annular space between

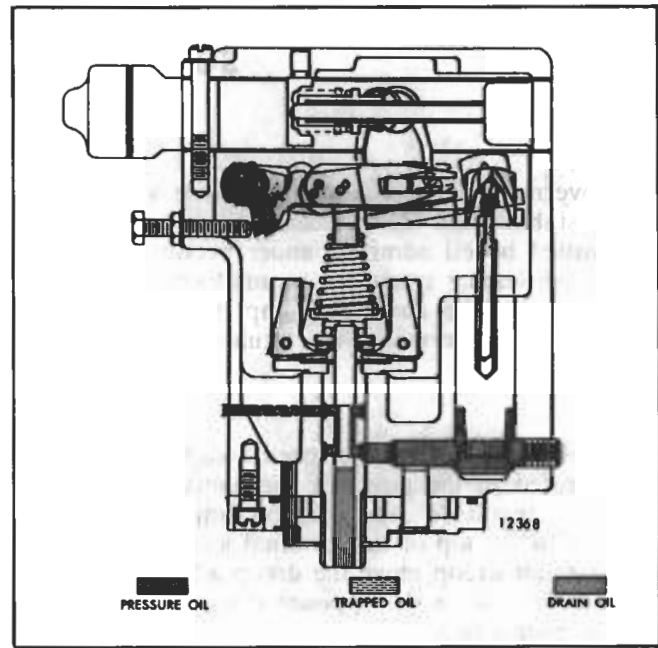


Fig. 3 - Position of Governor Mechanism as Load Increases and Engine Speed Tends to Decrease

the undercut portion of the pilot valve plunger and the bore in the ball head as shown in Fig. 2.

For any given throttle setting, the speeder spring has a definite compressional force which is opposed by the centrifugal force of the revolving flyweights. When the two forces are equal, the land on the pilot valve plunger covers the lower opening in the ball head, producing a constant speed condition as shown in Fig. 2.

When the load on an engine is increased, the engine speed will drop momentarily and the governor weights will be forced inward by the speeder spring permitting the pilot valve plunger to uncover the lower port in the ball head. With this port uncovered, oil, under pressure of the governor pump, will be admitted to the cavity at lower end of the power piston and force the piston and floating lever upward as shown in Fig. 3. The upward motion of the piston is transmitted through the terminal lever and the fuel rod to the injector control tube, causing the fuel setting of the engine to be increased.

As the power piston and the floating lever rise, the compressional load on the speeder spring is reduced, allowing the flyweights to again move out to their normal vertical position. With the governor weights in a vertical position, the land on the pilot valve plunger will again cover the ports in the ball head, trapping the regulating oil under the power piston. With the power piston held in its new position by the trapped

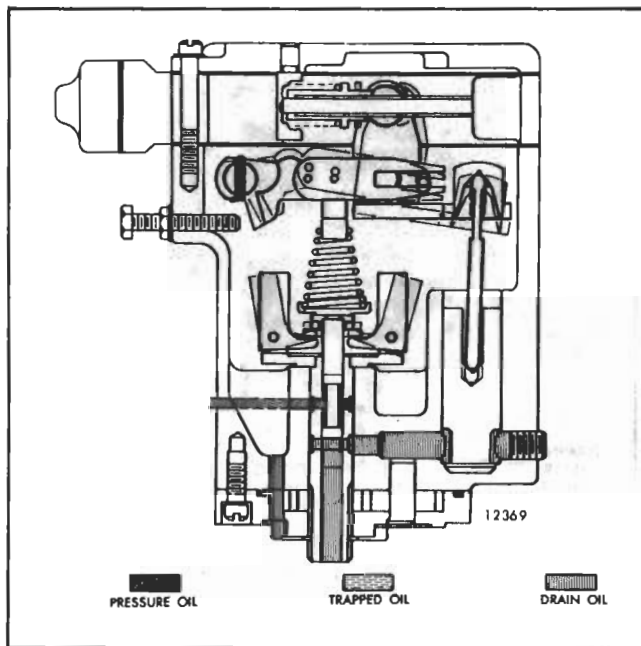


Fig. 4 - Position of Governor Mechanism as Load Decreases and Engine Speed Tends to Increase

regulating oil, the engine will carry the increased load at a slightly reduced speed.

Figure 4 illustrates the governor reaction as the load on the engine is decreased and the engine speed increases.

Lubrication

Oil seeping past the power piston and pilot valve plunger is vaporized by the revolving governor flyweights, providing lubrication for the moving parts in the governor housing. The governor pump, pilot

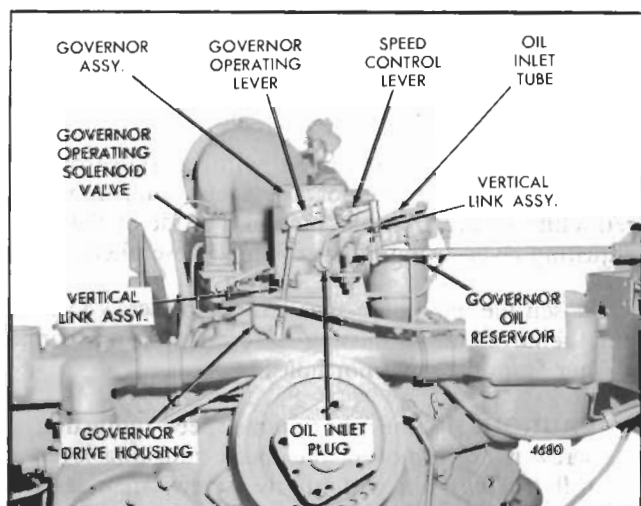


Fig. 5 - Typical Hydraulic Governor Mounting

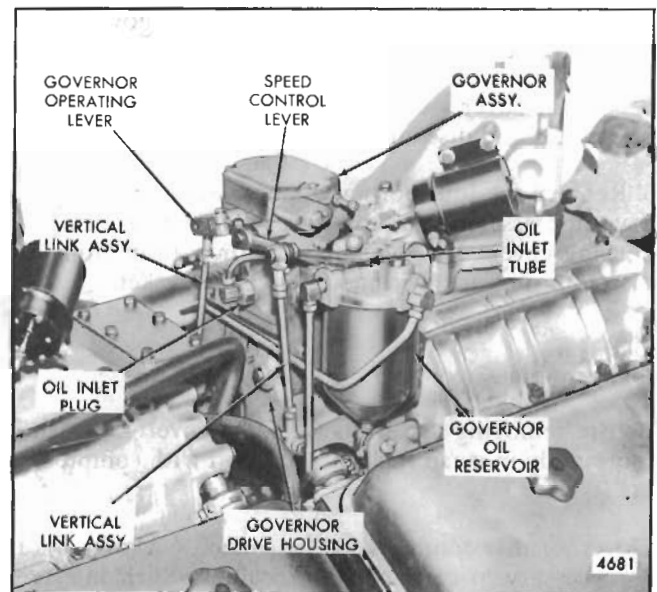


Fig. 6 - Hydraulic Governor Mounted on 16V Engine

valve plunger, and power piston are all exposed to pressurized oil. The pilot valve plunger has two oil holes to provide additional lubrication to the thrust bearing. Oil which collects on the floor of the governor housing passes through a passage into the governor drive housing, providing lubrication for the governor drive and driven shaft beveled gears and their bearings.

The surplus oil returns to the engine crankcase through connecting drilled passages in the blower end plate and cylinder block.

Remove Governor

Refer to Figs. 5 and 6 and remove the governor as follows:

1. Remove the nut, lock washer and bolt securing the speed control lever to the speed adjusting shaft. Then, pull the lever with link assembly attached from the shaft.
2. Mark the position of the governor operating lever on the terminal lever shaft. Loosen the bolt securing the lever to the shaft then pull the lever with link assembly attached from the shaft.
3. If the governor is equipped with a governor operating solenoid valve assembly, disconnect and remove the oil tube from the valve assembly and governor housing.
4. Disconnect and remove the oil inlet tube assembly

from the governor oil inlet elbow, and the governor oil reservoir if used.

5. On a governor equipped with a synchronizing motor, tag and disconnect the wires from the motor.

6. Remove the four bolts and lock washers securing the governor assembly to the governor drive housing or housing cover. Then lift the governor away from the drive housing or cover and remove the gasket.

Disassemble Governor

Before removing any parts from the governor, wash it thoroughly in clean fuel oil and dry it with compressed air.

Governor disassembly need be carried out only as far as necessary to correct the difficulties which interfere with proper governor operation.

Refer to Figs. 1 and 12 for the location of the various parts and disassemble as follows:

1. **Clamp** the governor housing and base assembly in a bench vise equipped with soft jaws (Fig. 9).
2. If necessary, remove the oil inlet elbow or fitting from the oil inlet plug.
3. Remove the three cover screws, then remove the cover and gasket from the housing.
4. To facilitate the removal of the governor subcap, disassemble the subcap before removal from the

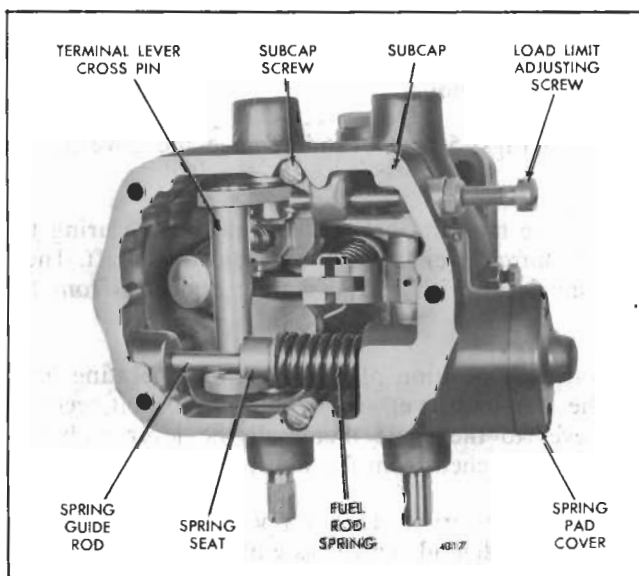


Fig. 7 - Top View of Governor with Cover Removed

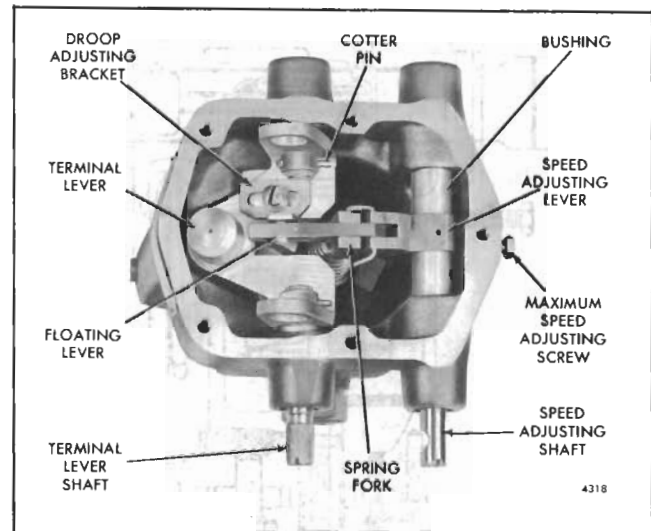


Fig. 8 - Top View of Governor with Subcap Removed

governor housing. Refer to Figs. 7 and 8 and proceed as follows:

- a. Remove the two screws and lock washers securing the spring pad cover to the subcap, then remove the cover from the spring guide rod. Remove the cover gasket.
 - b. Remove the fuel rod spring and the spring guide rod seat from the spring guide rod and subcap. Then pull the spring guide rod from the subcap with a pair of pliers.
 - c. Loosen the load limit adjusting screw lock nut and remove the screw, lock nut and copper washer from the subcap.
5. Remove the two subcap screws and lock washers securing the subcap to the governor housing. Remove the subcap and gasket from the housing.
 6. Remove the terminal lever cross pin from the arms of the terminal lever.
 7. On a governor equipped with a synchronizing motor, remove the end of the speed adjusting lever retracting spring from the hole in the side of the speed adjusting lever, using a pair of small nose pliers.
 8. Loosen the maximum speed adjusting screw lock nut and remove the adjusting screw, nut and copper washer from the governor housing.

CAUTION: If the maximum speed adjusting screw is not removed, the speed adjusting lever roll (spring) pin will hit the screw when it is being removed from the speed adjusting lever and shaft.



Fig. 9 - Removing Speed Adjusting Lever Roll Pin

9. Remove the speed droop adjusting bracket screw lock washer and plain washer from the terminal lever, then remove the droop adjusting bracket from the floating lever and the terminal lever.

10. Remove the speed adjusting lever roll (spring) pin from the speed adjusting lever and the lever shaft with a small punch and hammer as shown in Fig. 9.

11. Note and record the position of the groove in the outside diameter of the speed adjusting lever shaft to ensure the groove will be installed in the same position at the time of assembly. Then pull the shaft out of the speed adjusting lever and governor housing.

12. Lift the speed adjusting lever, floating lever, spring fork, speeder spring and pilot valve plunger as an assembly from the governor housing as shown in Fig. 10.

13. Remove the pilot valve plunger thrust bearing (18) and the roll (spring) pin (15) from the governor housing.

14. On a governor equipped with a synchronizing motor, slide the speed adjusting lever retracting spring off the speed adjusting shaft bushing and remove it from the housing.

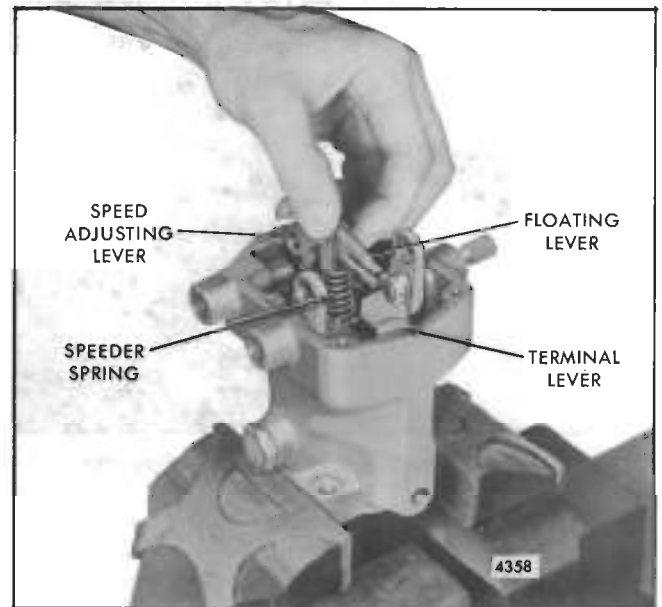


Fig. 10 - Removing Speed Adjusting Lever, Spring Fork, Speeder Spring and Pilot Valve Plunger Assembly

15. If necessary, the speed adjusting lever (16), floating lever (55), spring fork (53), speeder spring (52) and pilot valve plunger and spring seat assembly, may be disassembled as follows:

- a. Straighten the bent end of the wire pin (60) securing the speed adjusting lever and spring fork to the speed adjusting floating lever.
- b. Pull the pin out of the speed adjusting lever, floating lever and spring fork with a pair of pliers.
- c. Insert a small screw driver between the spring and fork and pry the speeder spring from the spring fork.
- d. Work a small screw driver under the speeder spring and remove the spring from the pilot valve plunger and spring seat assembly.

16. Remove the two cotter pins securing the terminal lever to the terminal lever shafts. Then pull the long terminal lever shaft from the terminal lever and the governor housing.

17. Place a 1/4" brass rod approximately 5" long through the terminal lever shaft opening in the governor housing and terminal lever and against the inner end of the second terminal lever shaft. Then drive the governor housing cup plug out of the housing boss as shown in Fig. 11.

18. Push the terminal lever shaft out of the terminal lever and housing with the brass rod. Remove the

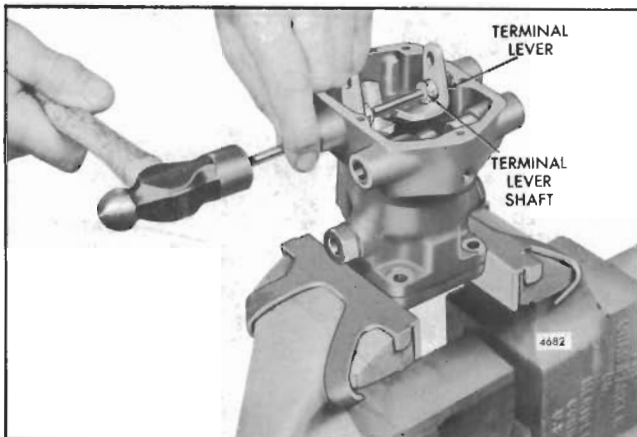


Fig. 11 - Removing Cup Plug from Governor Housing

brass rod and lift the terminal lever out of the housing.

19. Remove the terminal lever-to-power piston pin (47) from the piston.

20. Remove the governor housing from the bench vise. Turn the governor upside down and remove the power piston from the housing.

NOTE: It may be necessary to tap the face of the governor housing lightly on a wood block to jar the piston out of the housing.

21. Place the governor housing, bottom side up, on a bench.

22. Remove the lock ring (41) from the groove in the shaft of the ball head (22) with a pair of snap ring pliers, then remove the ball head and flyweight assembly from the housing.

23. Remove the three screws (42) securing the governor base (40) to the governor housing.

24. Tap the edge of the governor base lightly with a plastic hammer to loosen it, then remove the base and seal ring from the governor housing and dowel pins.

25. Remove the oil pump drive and driven gears (38) and (63) from the governor base or housing.

26. Clamp the bottom (square portion) of the governor housing in a bench vise equipped with soft jaws.

27. Remove the oil inlet plug (28), gasket (29), relief valve plunger sleeve retaining spring (30) and relief valve plunger spring (34) from the governor housing.

28. Remove the dummy hole plug (43) and gasket (44) from the opposite side of the governor housing. Then insert a small brass rod through the dummy hole

opening and push the relief valve plunger (33) and the relief valve plunger sleeve (34) out of the governor housing. Catch the relief valve plunger and sleeve by hand when removing them.

NOTE: The relief valve plunger incorporates a No. 8-32 thread to facilitate the removal of the plunger from the housing, if required, without removing and disassembling the governor.

29. If necessary, remove the pipe plug in the forward face of the governor housing.

30. If necessary, remove the speed adjusting lever shaft hole plug in the governor housing by inserting a 1/4" brass rod through the shaft opening and tap the cup plug out of the housing boss with a hammer.

31. Inspect the speed adjusting lever shaft and terminal lever shaft oil seals and, if necessary, remove them from the governor housing.

Inspection

Wash all of the governor parts in clean fuel oil, dry them with compressed air and inspect.

Examine the pilot valve plunger and its bore in the ball head for scoring and burrs. If slightly scored, the area may be cleaned up with a fine india stone. Care must be used to prevent rounding off the edges of the plunger.

Examine the oil pump gears and the driven gear bushing for excessive wear and damage.

Examine the power piston and its bore in the governor housing for scoring and burrs. If slightly scored, the areas may be cleaned up with a fine india stone. Care must be used to prevent stoning flat areas and rounding off the edges of the piston.

Examine the outside diameter of the ball head and its bore in the governor housing for scoring and burrs. If slightly scored, the areas may be cleaned up with a fine india stone. Care must be used to prevent stoning flat areas and rounding off the edges of the ball head.

NOTE: The pilot valve plunger power piston and ball head assembly must operate freely in their respective bores.

Examine the pilot valve plunger thrust bearing for excessive wear and flat spots.

Inspect the finished radius (thrust bearing contact surfaces) of the flyweights for excessive wear or flat spots. The flyweights must operate freely on their supports for satisfactory governor operation.

Examine the ends of the power piston-to-terminal lever pin for wear and scoring. If slightly scored, clean the ends up with a fine india stone.

Inspect the speed adjusting lever shaft and terminal lever shaft oil seals in the governor housing for excessive wear.

Inspect the speed adjusting lever shaft and terminal lever shaft bushing in the governor housing for excessive wear.

Examine the relief valve plunger and the inside diameter of the plunger sleeve for wear, scratches and sludge in the grooves and holes in the plunger and sleeve. The current plunger incorporates four relief holes and is slightly larger than the former plunger. The current sleeve assembly has the washer affixed to the sleeve. When it is necessary to replace either the former plunger or the sleeve and washer a plunger kit must be used which includes the current plunger and a sleeve assembly. Also, examine the plunger and sleeve springs for fractured coils.

Examine the fuel rod spring for fractured coils.

Examine the face of the spring guide rod seat where it contacts the terminal lever cross pin for scoring and wear.

Replace all of the governor parts that are excessively worn or damaged.

Assemble Governor

Refer to Figs. 1 and 12 and assemble the governor as follows:

1. If removed, install new speed adjusting lever and terminal lever shaft bushings in the governor housing to the specified dimensions shown in Fig. 13.
2. If removed, install the pipe plug (83) in the governor housing.
3. Lubricate the two oil pump gears (38) and (63) with engine oil and place them in their respective positions in the governor base (40).
4. Place a new seal ring (39) in the groove in the governor base, with the wide side of the seal down in the groove.
5. Set the governor housing (45) on the base with the dowels in the base registering with the holes in the housing and the idler gear stud in the housing registering with the hole in the idler gear. Press the housing down against the seal ring in the base.

6. Lubricate the outside diameter of the ball head and flyweight assembly with engine oil. Then insert the end of the ball head straight into and through the bore of the governor housing, drive gear and base.

7. Insert the three screws (42) through the governor base and thread them into the governor housing. Turn the ball head assembly while tightening the three screws to make sure the ball head assembly rotates freely.

If a bind exists, loosen the three screws, tap the sides of the base lightly with a plastic hammer and tighten the screws again. Revolve the ball head assembly again and check for bind. Repeat, if necessary, until all parts rotate freely.

8. Install the ball head lock ring (41) in the groove in the ball head shaft with a pair of snap ring pliers.

9. Refer to Fig. 14 and install the relief valve plunger, plunger sleeve, plunger spring, sleeve retaining spring, oil inlet plug and dummy hole plug in the governor housing as follows:

- a. Lubricate the outside diameter of the relief valve plunger and plunger sleeve with engine oil. Then insert the relief valve plunger inside the plunger sleeve.
- b. Insert the relief valve plunger and sleeve assembly straight into the opening in the right-hand side of the governor housing, when viewed from the power piston side, with the tapped hole in the relief valve plunger facing out, and push it in against the shoulder in the housing.
- c. Place the relief valve plunger spring and the plunger sleeve retaining spring in the housing and against the plunger and sleeve.
- d. Place a gasket on the oil inlet plug, then place the plug over the ends of the springs and thread it into the governor housing.
- e. Place a gasket on the dummy hole plug and thread it into the opening in the opposite side of the governor housing.
- f. Clamp the bottom (square portion) of the governor housing and base assembly between the soft jaws of a bench vise. Then tighten the oil inlet plug and the dummy hole plug securely.

10. Lubricate the power piston (46) with engine oil. Then insert the piston, small end down, straight into the piston bore in the governor housing and push it in until it bottoms.

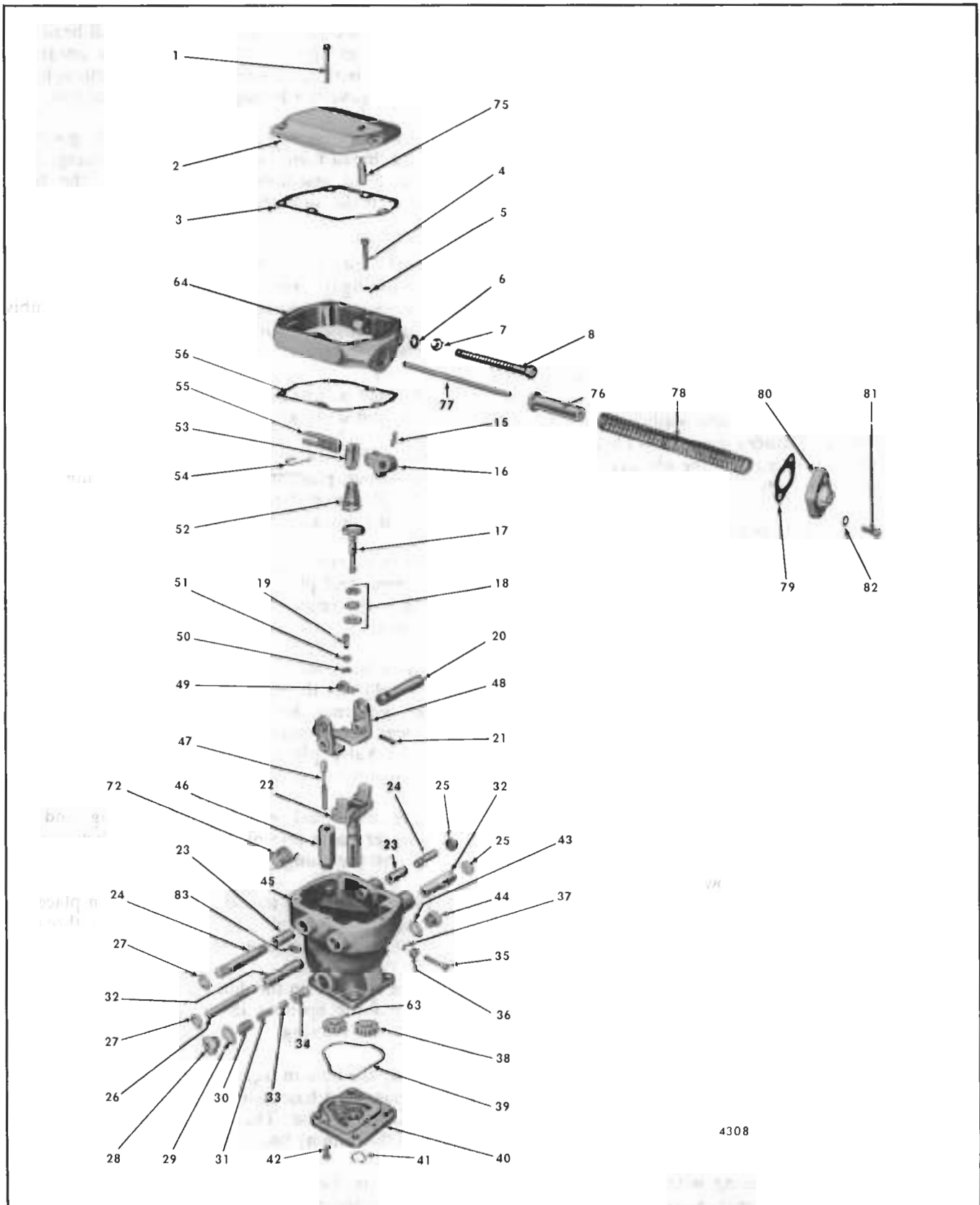


Fig. 12 - Hydraulic Governor Details and Relative Location of Parts

- | | | | |
|--|---|------------------------------------|---------------------------------------|
| 1. Screw-Governor Cover | 23. Bushing-Terminal Lever | 40. Base-Governor | 63. Gear-Oil Pump Driven |
| 2. Cover-Governor | 24. Shaft-Terminal Lever | 41. Lock Ring | 64. Subcap-Governor |
| 3. Gasket-Governor Cover | 25. Plug-Cap | 42. Screw-Governor Base | 72. Spring-Torsion (Syn. Motors Only) |
| 4. Screw-Subcap-to-Housing | 26. Shaft-Speed Adjusting Lever | 43. Gasket-Spacer Cap | 75. Screw-Low Speed Stop |
| 5. Lock Washer | 27. Oil Seal | 44. Plug-Dummy Hole | 76. Seat-Guide Rod Spring |
| 6. Washer-Copper | 28. Plug-Governor Oil Inlet | 45. Housing-Governor | 77. Rod-Spring Guide |
| 7. Lock Nut | 29. Gasket-Relief Valve | 46. Piston-Power | 78. Spring-Terminal Lever Return |
| 8. Screw-Load Limit Adjusting | 30. Spring-Sleeve Retaining | 47. Pin-Floating | 79. Gasket |
| 15. Pin-Roll | 31. Spring-Relief Valve | 48. Lever-Terminal | 80. Cover-Spring Pad |
| 16. Lever-Speed Adjusting | 32. Bushing-Speed Adjusting Lever Shaft | 49. Bracket-Speed Droop Adjusting | 81. Screw-Spring Pad |
| 17. Plunger-Pilot Valve | 33. Valve-Relief | 50. Plain Washer | 82. Washer-Internal Lock |
| 18. Bearing-Pilot Valve Plunger Thrust | 34. Sleeve-Relief Valve | 51. Lock Washer | 83. Plug-Housing |
| 19. Screw-Droop Adjusting Bracket | 35. Screw-Maximum Speed Adjusting | 52. Spring-Speeder | |
| 20. Pin-Terminal Lever Cross | 36. Lock Nut | 53. Fork-Adjusting Linkage Spring | |
| 21. Cotter Pin | 37. Washer-Copper | 54. Pin-Spring Fork | |
| 22. Ball-Head Assembly | 38. Gear-Oil Pump Drive | 55. Lever-Speed Adjusting Floating | |
| | 39. Ring-Housing-to-Base Seal | 56. Gasket-Subcap-to-Housing | |

Fig. 12 - Hydraulic Governor Details and Relative Location of Parts

11. Install the terminal lever (48), terminal lever shafts (24), cotter pins (21), cup plug (25) and oil seal (27) in the governor housing as follows:

- Apply a thin coat of sealing compound to the outside diameter of a new terminal lever shaft oil seal. Start the seal, with the lip of the seal facing down, straight into the terminal lever shaft opening in the oil inlet plug side of the housing, then press the seal in flush with the outside face of the boss.
- Clamp the bottom (square portion) of the governor housing and base assembly between the soft jaws of a bench vise.
- Lubricate the long terminal lever shaft with engine oil. Place the terminal lever in between the ends

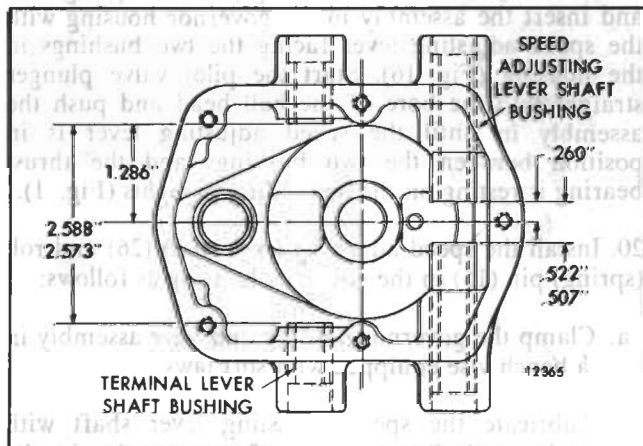


Fig. 13 - Location of Speed Adjusting Lever and Terminal Lever Shaft Bushings in Governor Housing

of the two bushings inside the governor housing. Then insert the serrated end (with the cotter pin hole) of the shaft through the oil seal and bushing in the housing, with the cotter pin holes in the shaft and terminal lever in alignment as shown in Fig. 15. Push the shaft into the lever until the two holes are in alignment.

- Install a cotter pin through the terminal lever and shaft and bend the ends over against the side of the terminal lever.
- Install the second terminal lever shaft in the housing and terminal lever at the opposite side of

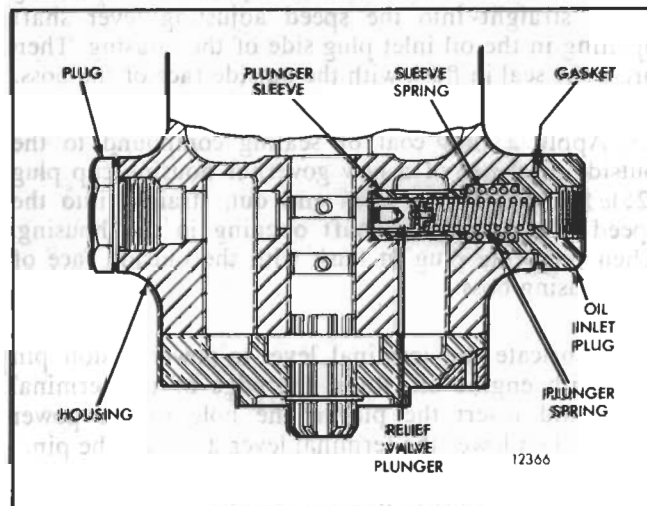


Fig. 14 - Location of Oil Relief Valve Plunger, Plunger Sleeve, Springs, Oil Inlet Plug and Dummy Plug

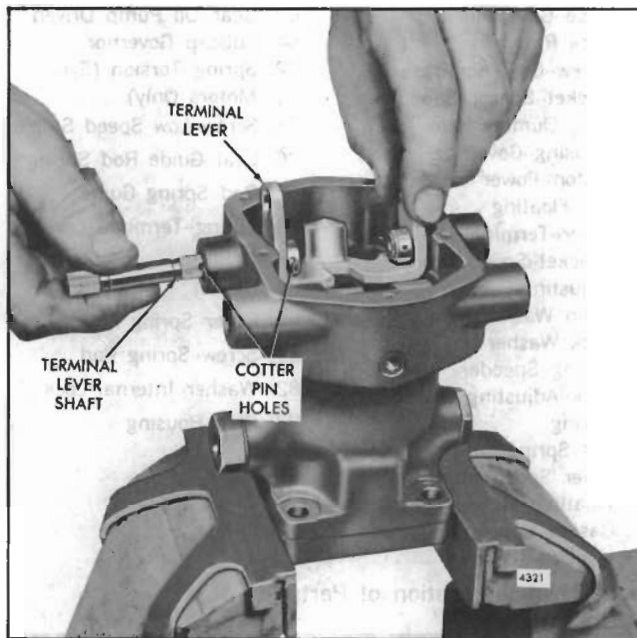


Fig. 15 - Installing Terminal Lever Shaft in Governor Housing and Terminal Lever

the governor housing in the same manner as outlined in Steps c and d.

- f. Apply a thin coat of sealing compound to the outside diameter of a new governor housing cup plug (25). Start the plug, open end out, straight into the terminal lever shaft opening in the housing. Then press the plug in flush with the outside face of the housing boss.
12. Apply a thin coat of sealing compound to the outside diameter of a new speed adjusting lever shaft oil seal. Start the seal, with the lip of the seal facing down, straight into the speed adjusting lever shaft opening in the oil inlet plug side of the housing. Then press the seal in flush with the outside face of the boss.
13. Apply a thin coat of sealing compound to the outside diameter of a new governor housing cup plug (25). Start the plug, open end out, straight into the speed adjusting lever shaft opening in the housing. Then press the plug in flush with the outside face of the housing boss.
14. Lubricate the terminal lever-to-power piston pin (47) with engine oil. Raise the edge of the terminal lever and insert the pin in the hole in the power piston, then lower the terminal lever down on the pin.
15. If disassembled, the speed adjusting lever (16), floating lever (55), spring fork (53), speeder spring (52) and pilot valve plunger (17) may be assembled as follows:

- a. Place the non-slotted end of the speed adjusting floating lever in the slot of the speed adjusting lever, (Fig. 1) so the pin holes are in alignment.
- b. Insert the long end of the speed adjusting lever-to-floating lever wire pin through the pin hole in the speed adjusting lever and floating lever (Fig. 17).
- c. Place the speed adjusting floating lever in the slot of the spring fork, with the pin holes in alignment. Then insert the short end of the wire pin through the hole in the spring fork and floating lever.
- d. Push the wire pin in against the speed adjusting lever and spring fork and bend the protruding end of the wire pin over toward the slotted end of the floating lever.
- e. Press the lower end of the spring fork into the small end of the speeder spring. Then insert the opposite end of the spring in the spring seat of the pilot valve plunger.

16. On a governor equipped with a synchronizing motor, place the speed adjusting lever retracting spring over the speed adjusting lever shaft bushing in the governor housing, with the hooked end over the slot between the two bushings.

17. Place the governor housing on its side, oil inlet plug side up, on a bench with the top of the housing facing out.

18. Lubricate the pilot valve plunger thrust bearing with engine oil and place it over the end of the pilot valve plunger with the smallest, outside diameter, bearing race next to the spring seat (Fig. 1).

19. Lubricate the pilot valve plunger with engine oil. Then hold the thrust bearing against the spring seat and insert the assembly in the governor housing with the speed adjusting lever facing the two bushings in the housing (Fig. 16). Start the pilot valve plunger straight into the bore of the ball head and push the assembly in until the speed adjusting lever is in position between the two bushings and the thrust bearing is resting on the lip of the flyweights (Fig. 1).

20. Install the speed adjusting lever shaft (26) and roll (spring) pin (15) in the governor housing as follows:

- a. Clamp the governor housing and base assembly in a bench vise equipped with soft jaws.
- b. Lubricate the speed adjusting lever shaft with engine oil. Rotate the shaft so the slot in the outside diameter of the shaft is in the same position it was in at the time of removal. Then insert the shaft in the shaft bushing, from the oil

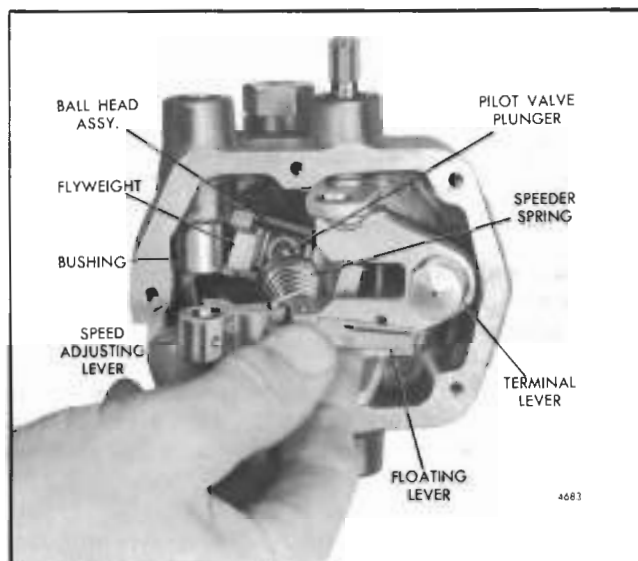


Fig. 16 - Installing Speed Adjusting Lever, Floating Lever, Speeder Spring and Pilot Valve Plunger Assembly

inlet plug side, with the roll pin hole in the shaft and lever in alignment as shown in Fig. 17.

- c. While holding the speed adjusting lever, push the shaft through the bushing, lever and into the second shaft bushing until the pin holes are in alignment.

IMPORTANT: On a governor equipped with a synchronizing motor, be sure the hooked end of the speed adjusting lever retracting spring is on top of the speed adjusting lever before installing the shaft.

- d. Start the speed adjusting lever roll (spring) pin (15) straight in the pin hole in the lever. Then tap the pin through the lever and shaft until it is flush with the top of the lever.
- e. On a governor equipped with a synchronizing motor, rotate the speed adjusting lever retracting spring around the shaft bushing and insert the hooked end of the spring in the small hole in the side of the speed adjusting lever with a pair of small nose pliers.

21. Place the speed droop adjusting bracket in position against the top face of the terminal lever, with the pin in the bracket in the slot of the speed adjusting floating lever (Fig. 8) and secure it to the lever with a flat washer, lock washer and screw.

22. If removed, thread the lock nut on the maximum speed adjusting screw (35). Place the copper washer on the adjusting screw, then thread the screw approximately halfway in the governor housing (Fig. 1).

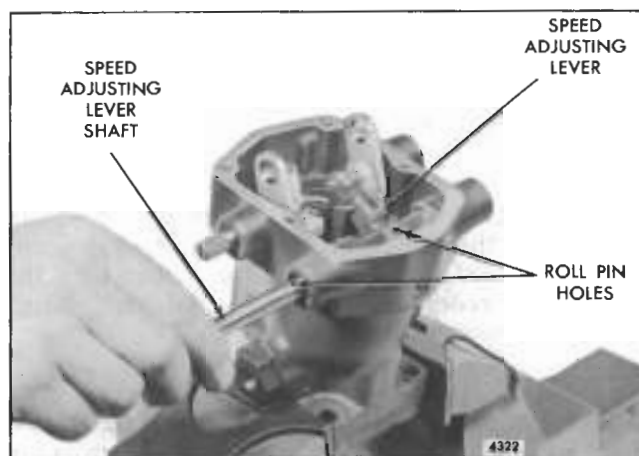


Fig. 17 - Installing Speed Adjusting Lever Shaft in Governor Housing and Adjusting Lever

23. Install the terminal lever cross pin through the pin holes in the terminal lever as shown in Fig. 7, with the spring guide rod slot in the pin facing up.

24. Affix a new governor subcap gasket (56) to the top of the governor housing.

25. Place the governor subcap (64) on top of the gasket and housing with the fuel rod spring opening in the subcap facing the maximum speed adjusting screw side of the governor housing (Fig. 1). Install the two subcap screws and lock washers and tighten them securely.

26. Refer to Figs. 1, 7 and 12 and install the spring guide rod (77), spring guide rod seat (76), fuel rod spring (21), spring pad cover (80) and the load limit adjusting screw (8) in the governor subcap as follows:

- a. Lubricate the spring guide rod with engine oil, then insert the end of the rod through the opening in the subcap, through the slot in the terminal lever cross pin and into the hole at the opposite end of the subcap.
- b. Place the spring guide rod seat, large diameter end first, over the end of the spring guide rod and push it forward over the rod and into the notch in the terminal lever cross pin with the flat on the side of the seat adjacent to the terminal lever cross pin support.
- c. Insert the end of the fuel rod spring over the end of the spring guide rod, through the opening in the subcap and over the end of the spring guide rod seat.
- d. Affix a new gasket (79) to the flat face of the spring pad cover (80).
- e. Place the spring pad cover against the end of the fuel rod spring. Push in on the cover to compress

the spring and at the same time, pilot the end of the spring guide rod in the hole in the flat face of the cover. Install the two screws and lock washers and tighten them securely.

- f. If removed, thread the lock nut (7) on the load limit adjusting screw (8). Place the copper washer (6) over the end of the load limit adjusting screw, then thread the screw into the subcap until the end protrudes approximately 1/8" through the second boss inside the subcap (Fig. 5).

27. Affix a new gasket (3) to the top face of the governor subcap, then place the governor cover on top of the gasket and install the three screws with lock washers. Tighten the screws securely.

28. If removed, install the oil inlet elbow or fitting in the oil inlet plug.

Install Governor

Refer to Figs. 5 and 6 and proceed as follows:

1. Affix a new gasket to the top of the governor drive housing or housing cover.

2. Position the governor over the governor drive housing or housing cover with the ends of the terminal lever and speed adjusting lever shafts facing the front end of the engine. Turn the ball head assembly slightly to align the splines of the ball head shaft with

the splines in the driven shaft sleeve, then enter the shaft straight in the sleeve and set the governor on the gasket and drive housing or cover.

3. Install the four governor to drive housing bolts and lock washers. Tighten the bolts to 13-17 lb-ft (18-23 Nm) torque.

4. Install and connect the oil inlet tube assembly to governor oil reservoir or oil supply valve (if used) and the oil inlet elbow or fitting.

5. If the governor is equipped with a governor operating solenoid valve assembly, install and connect the oil tube to the valve assembly and the governor housing.

6. On a governor equipped with a synchronizing motor, connect the wires to the motor.

7. Place the governor operating lever, with link assembly attached, on the terminal lever shaft in the same position it was in at the time of removal, then tighten the retaining bolt to 7-9 lb-ft (10-12 Nm) torque.

8. Place the speed control lever, with link assembly attached, on the speed adjusting lever shaft and install the bolt, lock washer and nut. Tighten the bolt nut to 8-10 lb-ft (11-14 Nm) torque.

9. Position the injector control racks and make the final governor adjustments as outlined under *Engine Tune-Up Procedures* in Section 14.

HYDRAULIC GOVERNOR DRIVE

6V and 8V-92 Engines

The governor is driven by one of the blower rotors through a horizontal drive shaft and drive (bevel) gear and an integral vertical driven (bevel) gear (Fig. 1). Each gear is mounted on a ball bearing and is contained in a drive housing that also serves as the blower front cover.

Splines on the horizontal drive shaft engage the splines in the blower rotor shaft that provides the drive. Splines on the lower end of the governor ball head register with the splines in the upper end of a sleeve that is pressed on the vertical driven gear.

The fuel rod from each injector control tube is connected to a common control link lever which is enclosed in the governor drive housing.

The governor is connected to the fuel rods by a vertical link attached to the control link lever and the governor operating lever (Fig. 2).

Lubrication

The gears and bearings of the governor drive assembly are lubricated by surplus oil from the governor, which spills over the moving parts. The oil then returns to the engine crankcase through drilled passages in the blower end plate and cylinder block.

The rod end bearings of the vertical link assembly are lubricated with grease through the fittings provided.

Remove Governor Drive

If the governor fails to control the engine speed properly, the fault may lie in the governor drive. To function properly, there must be approximately .001" to .003" clearance between the governor drive and driven gears.

Remove the governor drive assembly, if necessary, as follows:

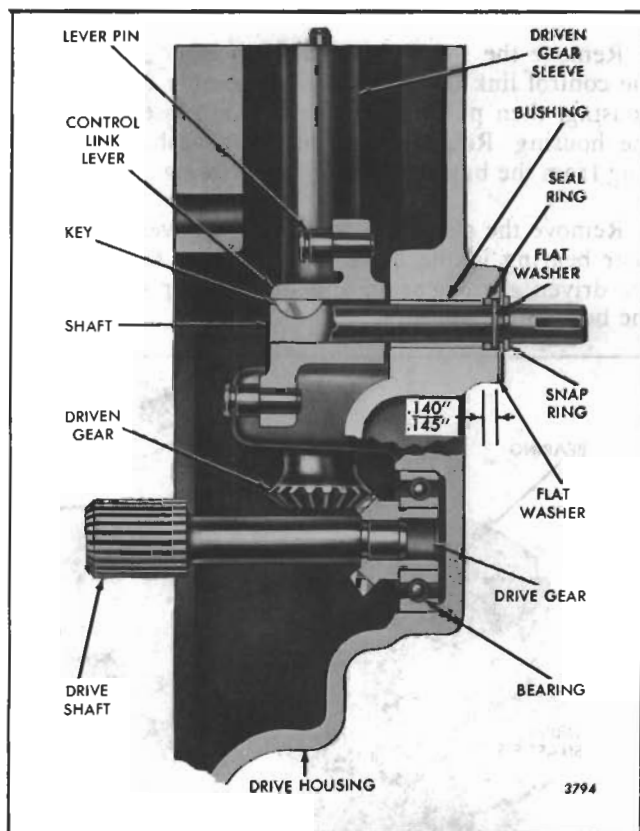


Fig. 1 - Governor Drive Assembly

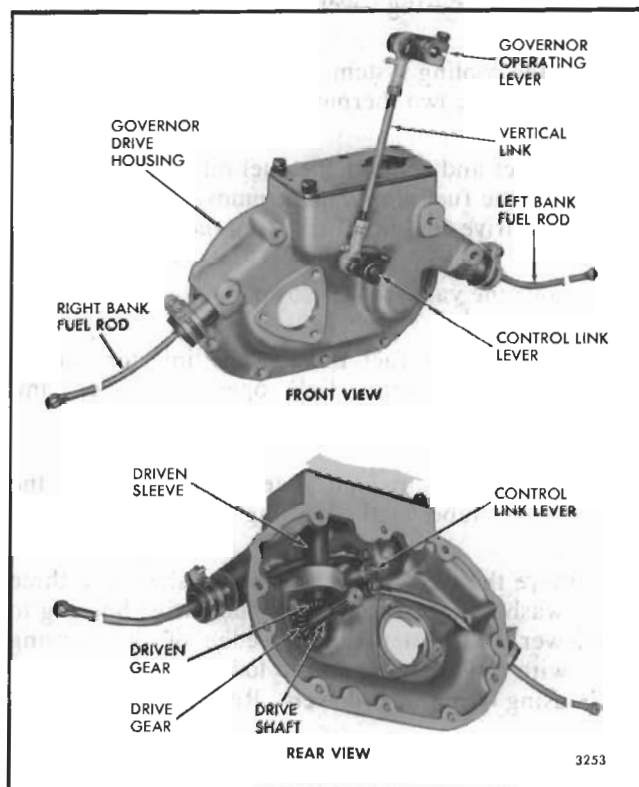


Fig. 2 - Hydraulic Governor Drive

1. Disconnect the throttle control linkage to the governor speed control lever.
2. Remove the bolts and lock washers that attach the vertical link assembly to the governor operating lever and the control link operating lever. Remove the link assembly.
3. If the engine is equipped with a governor oil reservoir, disconnect and remove the oil inlet, outlet and return tubes from the reservoir, governor and drive housing. Then remove the oil reservoir from the drive housing.
4. If equipped with a governor operating solenoid, disconnect and remove the oil inlet and outlet tubes from the solenoid, governor and drive housing. Tag and remove the electrical wires from the top of the solenoid. Remove the solenoid from the drive housing.
5. If the governor is equipped with a synchronizing motor, tag and remove the electrical wires from the motor terminals.
6. Remove the four bolts and lock washers securing the governor to the governor drive housing. Lift the governor from the drive housing cover and remove the governor gasket.
7. Remove the housing cover and gasket.
8. Drain the cooling system. Remove the water by-pass tube between the two thermostat housings.
9. Disconnect and remove the fuel oil inlet and outlet pipes from the fuel pump, then remove the fuel pump, gasket and drive coupling fork from the drive housing.
10. Remove the valve rocker covers.
11. Disconnect the fuel rods at the injector control tubes and the control link operating lever and withdraw the fuel rods.
12. Loosen the clamps and slide the hoses up on the fuel rod cover tubes of the housing.
13. Remove the ten bolts, seven lock washers and three copper washers securing the governor drive housing to the blower end plate. Tap the edge of the housing lightly with a plastic hammer to loosen it, then remove the housing from the dowels. Remove the housing gasket.

NOTE: Do not pry the housing off the dowels as this will damage the finished surfaces.

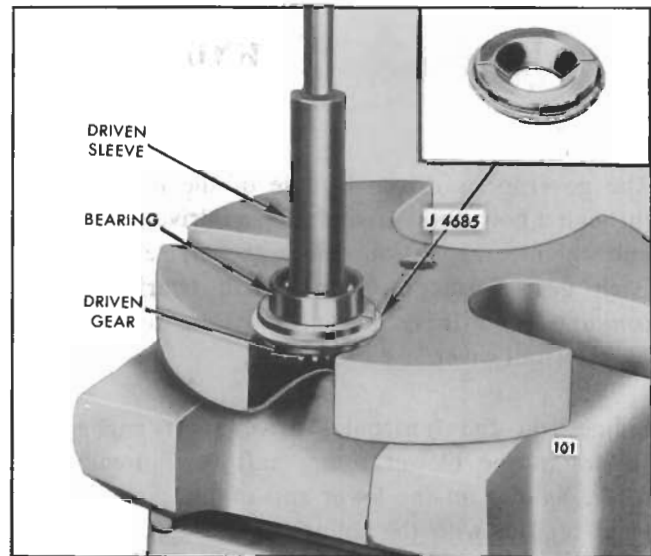


Fig. 3 - Removing Driven Sleeve and Bearing from Driven Gear

Disassemble Governor Drive

Refer to Figs. 1 and 2 and disassemble the governor drive assembly as follows:

1. Loosen the bolt securing the control link shaft lever to the shaft, then remove the lever and key from the shaft.
2. Remove the snap ring and flat washer that retains the control link lever and shaft assembly in the drive housing, then pull the lever and shaft assembly from the housing. Remove the small flat washer and seal ring from the bushing bore in the housing.
3. Remove the snap ring securing the governor driven gear bearing in the drive housing (Fig. 6), then pull the driven gear, bearing and driven gear sleeve from the bore in the housing.

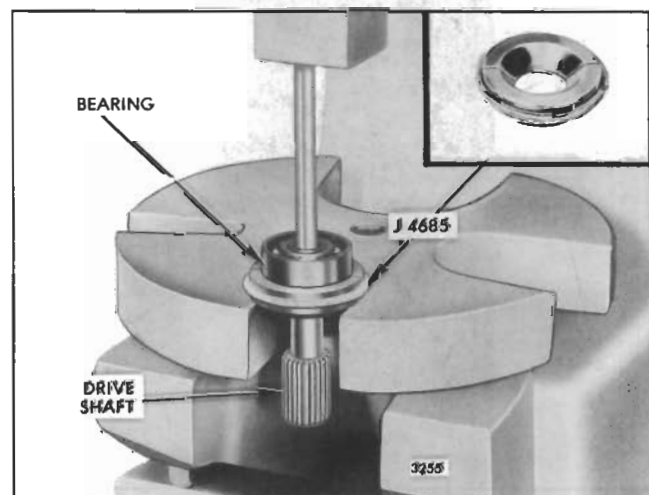


Fig. 4 - Removing Bearing from Drive Gear

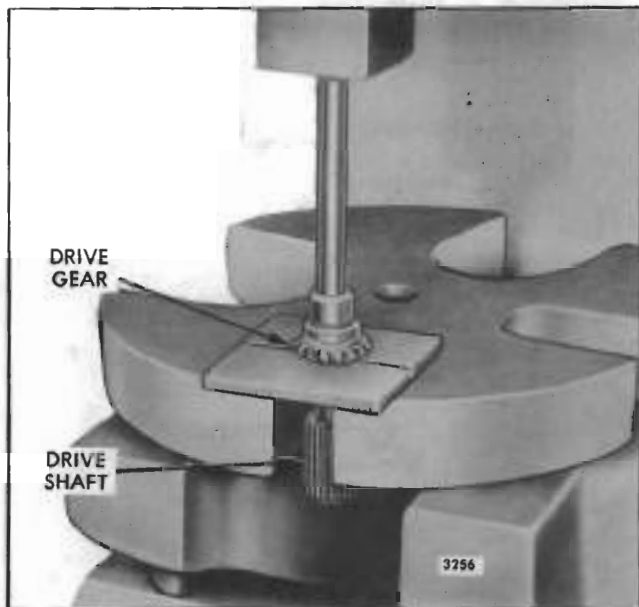


Fig. 5 - Removing Drive Gear from Drive Shaft

4. Remove the governor driven gear sleeve and bearing from the driven gear as follows:

- a. Place the split bearing remover J 4685 between the driven gear and the bearing, with the beveled side of the remover facing the gear.
- b. Support the driven gear assembly and remover on the bed of an arbor press (Fig. 3). Place a brass rod inside the sleeve against the end of the driven gear, then press the driven gear from the sleeve and bearing. Catch the driven gear by hand when pressed from the bearing.

5. Remove the governor drive gear, drive shaft and bearing assembly by pulling it straight out of the bore in the housing.

6. Remove the governor drive gear shaft bearing and drive gear from the drive shaft as follows:

- a. Place the split bearing remover J 4685 between the drive gear and the bearing, with the beveled side of the remover facing the gear.
- b. Support the drive gear assembly and remover on the bed of an arbor press (Fig. 4). Place a brass rod on the end of the drive shaft, then press the drive gear and shaft assembly from the bearing. Catch the drive gear and shaft by hand when pressed from the bearing.
- c. Place two split brass plates beneath the teeth of the drive gear, then support the assembly on the bed of an arbor press (Fig. 5). Place a brass rod on the end of the drive shaft, then press the drive shaft from the drive gear.

Inspection

Wash all of the parts in clean fuel oil and dry them with compressed air.

Inspect the teeth of the drive and driven bevel gears for chipping, scoring or wear. Remove any slight score marks with a stone. If the teeth are severely scored or worn, replace the gears.

Examine the drive shaft and the driven shaft sleeve for worn splines. Also check the mating parts for wear.

Check each ball bearing for indications of corrosion or pitting. Lubricate the bearing with light engine oil. Then, while holding the inner race, revolve the outer race slowly by hand. Any rough spot in the bearing is sufficient cause for rejection.

Inspect the control link operating shaft and its bushing in the governor drive housing for wear. If a new bushing is to be installed, press it in the drive housing so it will be .140" to .145" below the outside face of the housing to provide space for the seal ring (Fig. 1).

Examine the fuel rod cover hoses for damage. Replace them if necessary.

Check the fuel rod pins in the control link lever for wear and scoring.

Replace all of the governor drive parts that are excessively worn or damaged.

Assemble Governor Drive

Refer to Figs. 1 and 6 for the location of the various parts and assemble the governor drive as outlined below:

1. Install the governor drive shaft bearing and drive gear on the drive shaft as follows:

- a. Lubricate the drive shaft bearing with engine oil, then start the bearing, numbered side up, straight on the end of the drive gear.
- b. Place the beveled end of the drive gear on the bearing installer J 4683 and place the assembly on the bed of an arbor press as shown in Fig. 7. Then place a sleeve on the inner race of the bearing and press the bearing tight against the shoulder on the drive gear.
- c. Lubricate the small end of the governor drive shaft with engine oil, then start the drive gear straight on the shaft with the gear teeth facing the splined end of the shaft.

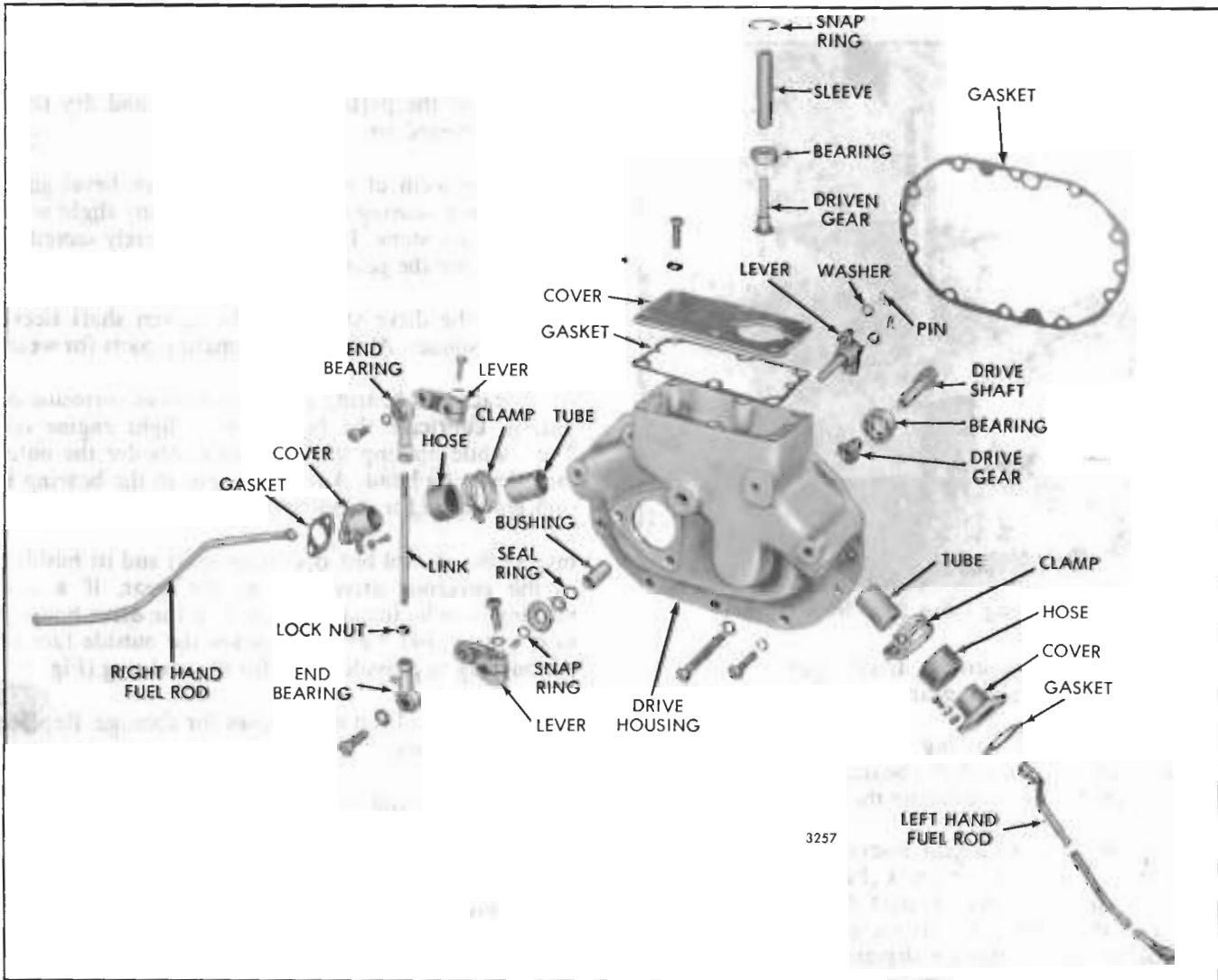


Fig. 6 - Details of Hydraulic Governor Drive and Relative Location of Parts

d. Place the drive shaft, gear and bearing assembly on the bed of an arbor press with the bearing and gear end up (Fig. 8). Then place a sleeve or a round brass bar on the inner race of the bearing

and press the drive gear tight against the shoulder on the shaft.

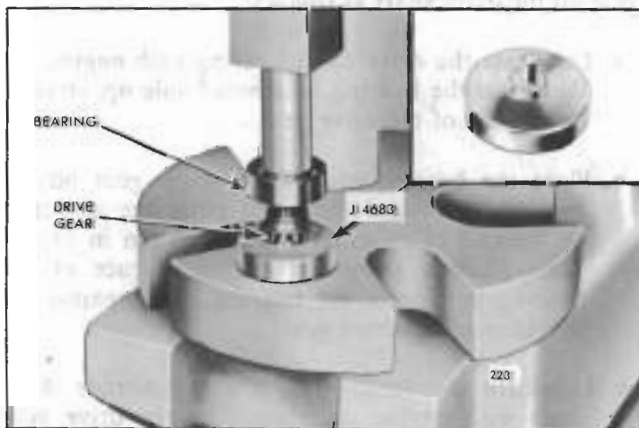


Fig. 7 - Installing Bearing on Drive Gear

2. Lubricate the governor drive shaft bearing with engine oil, then insert the drive shaft, drive gear and bearing assembly straight into the bearing bore in the drive housing (Fig. 1).

3. Install the governor driven gear bearing and sleeve on the driven gear as follows:

- a. Lubricate the driven gear bearing with engine oil, then start the bearing, numbered end up, straight on the driven gear.
- b. Lubricate the inside diameter of the driven gear sleeve with engine oil, then start the sleeve, splined end up, straight on the end of the driven gear.
- c. Place the driven gear, bearing and sleeve assembly on the bed of an arbor press, with a spacer under

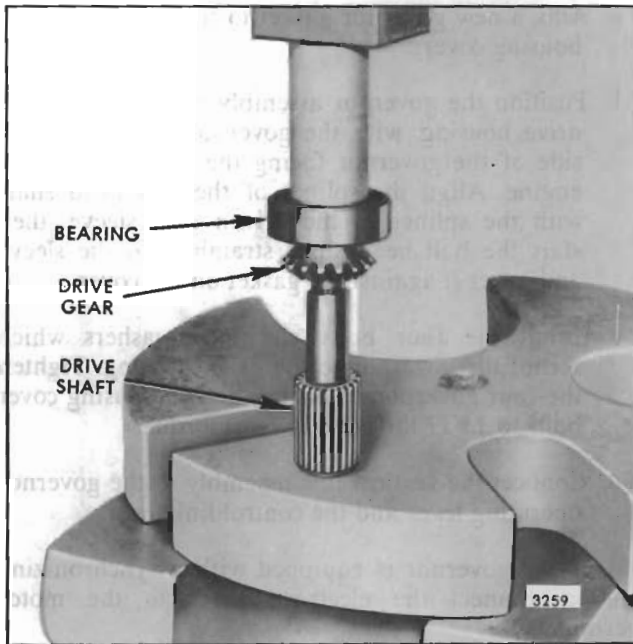


Fig. 8 - Installing Drive Gear and Bearing on Drive Shaft

the gear (Fig. 9) to support the gear teeth above the bed of the press. Then press the sleeve and bearing tight against the shoulder on the driven gear.

4. Lubricate the driven gear bearing with engine oil, then insert the driven gear, bearing and sleeve assembly through the top of the drive housing and start the bearing straight into the bearing bore in the housing. Push the driven gear assembly down in the housing until the teeth of the driven gear mesh with the drive gear (if necessary, rotate one of the gears slightly to align the gear teeth) and the bearing rests on the shoulder in the housing.

5. Install the snap ring in the groove in the housing next to the bearing.

6. Rotate the drive and driven gears and check for freeness and clearance between the gear teeth. The clearance should be .001 " to .003 ".

7. Install the governor control link lever and shaft assembly in the drive housing as follows:

a. Lubricate the control link lever shaft with engine oil, then slide the shaft through the bushing from the inner side of the housing (Fig. 1).

b. Place a new seal ring over the shaft and slide it into the housing against the bushing, then place the small flat washer over the shaft and slide it in against the seal ring. Place the large flat washer over the shaft and slide it against the housing,

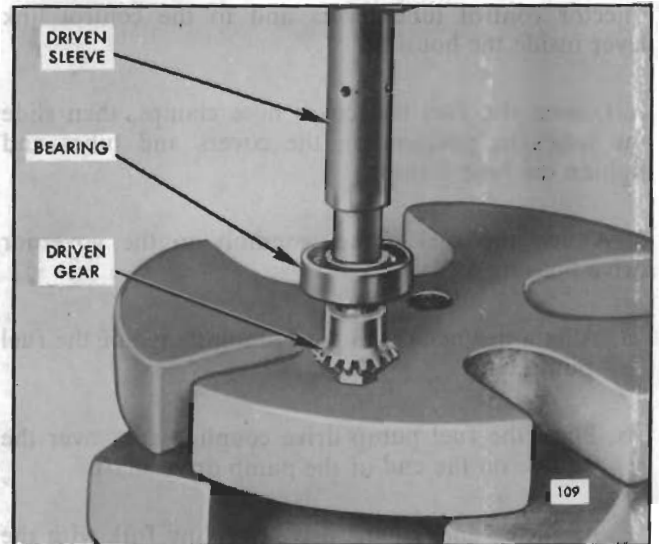


Fig. 9 - Installing Bearing and Driven Sleeve on Driven Gear

then install the snap ring in the groove in the shaft.

c. Install the Woodruff key in the keyway in the shaft, then slide the control link shaft lever over the shaft and key and secure it in place with a bolt and lock washer.

Install Governor Drive

After the governor drive is assembled, attach it to the blower, then attach the governor to the drive housing as outlined below:

1. Place a fuel rod cover hose and clamp on each of the fuel rod tubes in the drive housing, then tighten the hose clamp screws to retain the clamps on the hoses.

2. Affix a new gasket to the blower end plate. Then, with the splines of the governor drive shaft and the blower rotor shaft in alignment, insert the drive shaft into the rotor shaft and slide the drive housing on the dowels and against the gasket.

3. Install the ten bolts, seven lock washers and three copper washers which secure the drive housing to the blower end plate. Tighten the bolts to 13-17 lb-ft (18-23 Nm) torque.

NOTE: The three copper washers are used on the three long bolts which are exposed to the oil inside the drive housing.

4. Insert the fuel rods through the opening in the top of the drive housing, then connect them to their

injector control tube levers and to the control link lever inside the housing.

5. Loosen the fuel rod cover hose clamps, then slide the hoses in position on the covers and tubes and tighten the hose clamps.

6. Attach the fuel pump assembly to the governor drive housing as follows:

- a. Affix a new gasket to the bolting flange of the fuel pump body.
- b. Place the fuel pump drive coupling fork over the square on the end of the pump drive shaft.
- c. Align the ends of the drive coupling fork with the slots in the drive coupling disc, then place the fuel pump against the governor drive housing.

IMPORTANT: Make sure the ends (prongs) of the drive coupling fork are in the slots of the drive disc before installing and tightening the attaching bolts.

- d. Install the three bolt and seal assemblies and tighten the bolts to 13-17 lb-ft (18-23 Nm) torque.

7. Connect the fuel oil inlet and outlet pipes to the fuel pump.

8. Affix a new gasket to the top face of the governor drive housing, then place the housing cover on top of the gasket with the governor opening in the cover over the governor driven gear sleeve. Install two bolts and lock washers in the end holes, opposite the governor opening. Do not tighten the bolts at this time.

9. Attach the governor assembly to the drive housing as follows:

- a. Affix a new governor gasket to the top face of the housing cover.
- b. Position the governor assembly over the governor drive housing, with the governor operating lever side of the governor facing the front end of the engine. Align the splines of the ball head shaft with the splines in the driven gear sleeve, then start the ball head shaft straight into the sleeve and lower it against the gasket on the cover.
- c. Install the four bolts and lock washers which secure the governor to the drive housing. Tighten the four governor bolts and the two housing cover bolts to 13-17 lb-ft (18-23 Nm) torque.
- d. Connect the vertical link assembly to the governor operating lever and the control link lever.

10. If the governor is equipped with a synchronizing motor, connect the electrical wires to the motor terminals.

11. If a governor operating solenoid is used, attach the solenoid to the drive housing, then connect the oil inlet and outlet tubes to the solenoid, governor and drive housing. Also connect the electrical wires to the solenoid terminals.

12. If an oil reservoir is used, attach the reservoir to the drive housing, then connect the oil inlet, outlet and return tubes to the oil reservoir, governor and drive housing.

13. Connect the throttle control linkage to the speed control lever.

14. Lubricate the governor control linkage end bearings with grease through the fittings provided.

15. If drained, refill the cooling system.

16. Perform an engine tune-up as outlined in Section 14.

Governor Drive for 16V-92 Engine

The governor is driven by one of the blower rotors through a horizontal drive shaft and drive (bevel) gear and an integral driven (bevel) gear (Fig. 10). Each gear is mounted on a ball bearing and is contained in a drive housing that also serves as a front cover for the rear blower.

Splines on the horizontal drive shaft engage the splines in the blower rotor shaft that provides the drive. Splines on the lower end of the governor ball head register with the splines in the upper end of a sleeve that is pressed on the vertical driven gear.

The fuel rod from each injector control tube is connected to a pair of control link levers. One is enclosed in the governor drive housing (front cover of rear blower) and the other is enclosed in the governor control housing (rear cover of front blower).

The shafts of the two control link levers (Fig. 10) are connected together by means of a common lever and cap assembly.

The variable speed hydraulic governor is connected to the fuel rods by a vertical link attached to a common

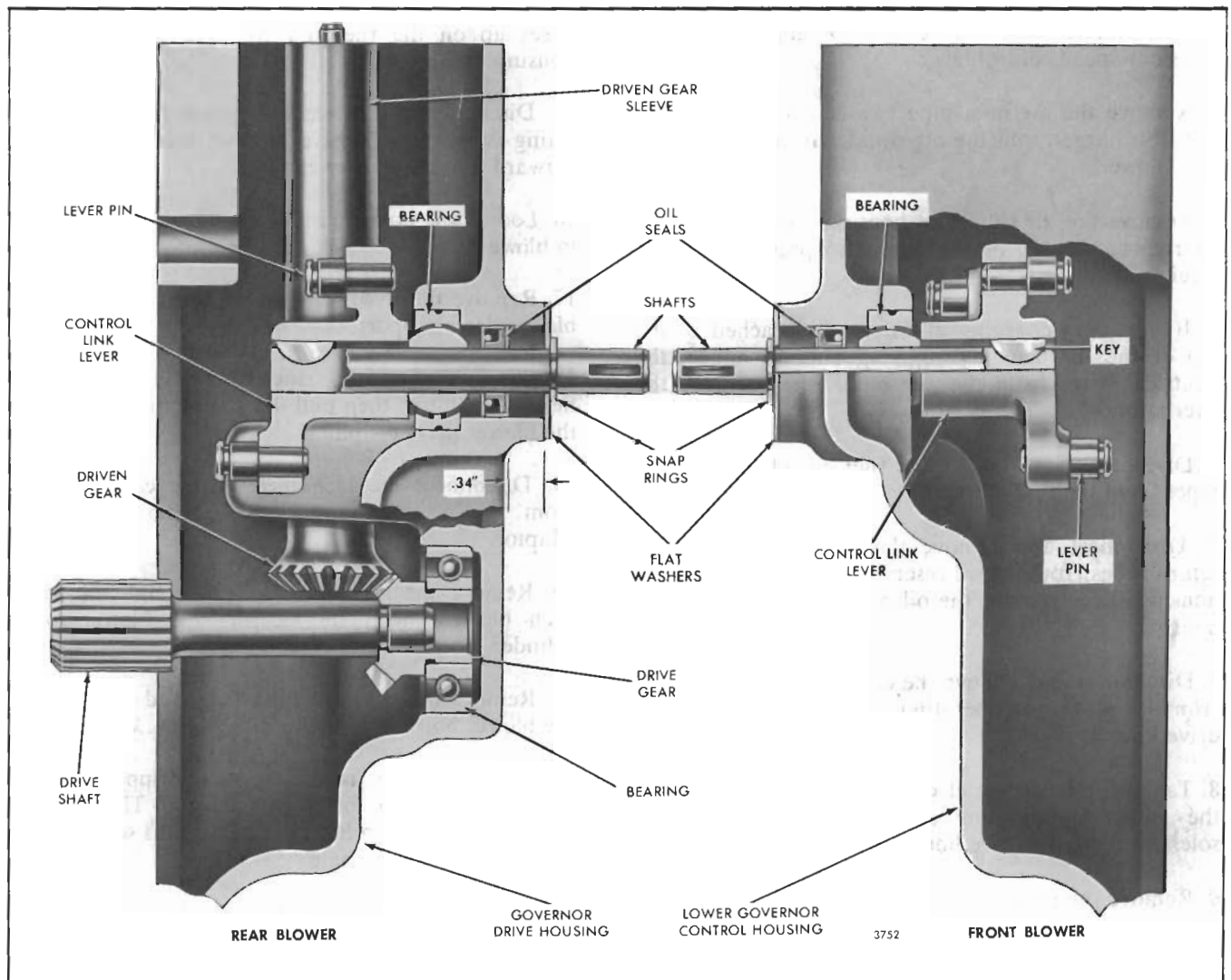


Fig. 10 - Governor Drive and Control Housing Assembly

lever and cap assembly and the operating lever on the governor terminal lever shaft.

Lubrication

The gears and bearings of the governor drive assembly are lubricated by surplus oil from the governor, which spills over the moving parts. The oil then returns to the engine crankcase through drilled passages in the blower end plate and cylinder block.

The rod end bearings of the external vertical link assembly are lubricated with grease through the fittings provided.

Remove Governor Drive

If the governor fails to control the engine speed properly, the fault may lie in the governor drive.

To function properly, there must be approximately .001" to .003" clearance between the governor drive bevel gears.

Due to the clearance between the front and rear blower assemblies, it will be necessary to remove one of the blowers in order to remove the governor drive housing or the governor control housing on the front blower.

Remove the governor drive assembly, if necessary, as follows:

1. Disconnect the throttle control linkage to the governor speed control lever.
2. Remove the air inlet pipe between the air cleaner, or turbocharger, and the air shutdown housing on the rear blower.
3. Remove the air shutdown housing from the blower, then cover the top of the blower to prevent entry of foreign material.
4. If a battery-charging alternator is attached to the top of the flywheel housing, tag and disconnect the electrical wires from the alternator, then remove the alternator.
5. Disconnect and remove the fuel oil inlet and outlet pipes from the fuel oil pump.
6. Disconnect and remove the oil inlet, outlet and return tubes from the oil reservoir, governor and drive housing. Then remove the oil reservoir from the drive housing.
7. Disconnect and remove the oil inlet and outlet tubes from the governor operating solenoid, governor and drive housing.
8. Tag and remove the electrical wires from the top of the governor operating solenoid, then remove the solenoid from the drive housing.
9. Remove the governor as follows:
 - a. Disconnect and remove the vertical link assembly from the governor control link common lever and cap assembly and the governor operating lever.
 - b. Remove the four bolts and lock washers securing the governor to the governor drive housing, then lift the governor from the drive housing cover. Remove the governor gasket.
10. Remove the bolts and lock washers securing the governor control link common lever and cap assembly to the control link lever shafts between the drive housing and the lower governor control housing.
11. Remove the valve rocker covers from the rear of the engine.
12. Remove the governor drive housing cover and gasket from the top of the drive housing.
13. Disconnect the fuel rods at the injector control tube levers and the control link lever inside the governor drive housing, then withdraw the fuel rods.
14. Loosen the fuel rod hose clamps and slide the hoses up on the fuel rod cover tubes in the drive housing.
15. Disconnect the blower oil pressure tube from the fitting in the blower drive support, then slide the tube forward into the blower end plate.
16. Loosen the hose clamp on the blower drive support to blower seal.
17. Remove the flywheel housing cover in back of the blower drive support.
18. Remove the snap ring from the blower drive flexible coupling, then pull the blower drive shaft from the blower drive coupling.
19. Disconnect the tachometer drive cable, if used, from the drive adaptor, then remove the drive adaptor.
20. Remove the bolt and washer through the top of each blower end plate securing the blower to the cylinder block.
21. Remove the six remaining bolts and lugs securing the blower housing to the cylinder block.
22. Thread eyebolts in the diagonally opposite tapped holes in the top of the blower housing. Then attach a rope sling and chain hoist to the eyebolts so the blower may be lifted at an angle.
23. Lift the blower assembly, front end first, at an angle to clear the front blower. Then move the blower forward and away from the engine and place it on a bench.
24. Remove the three bolt and seal assemblies securing the fuel pump to the governor drive housing, then remove the fuel pump, gasket and drive coupling fork from the drive housing.
25. Remove the ten bolts, seven lock washers and three copper washers securing the governor drive housing to the blower end plate. Tap the edge of the housing lightly with a plastic hammer to loosen it, then remove the housing from the dowels. Remove the housing gasket.

NOTE: Do not pry the housing off the dowels as this will damage the finished surfaces.
26. If necessary, the governor control housing may be removed from the engine front blower, at this time, by following the procedure outlined in steps 11, 12, 13, 14 and 25 above.

NOTE: The cover must be removed from the governor control housing in order to disconnect

the fuel rods from the control link lever in the housing.

Disassemble Governor Drive

Refer to Figs. 10 and 15 and disassemble the governor drive assembly as follows:

1. Remove the Woodruff key from the keyway of the governor control link lever shaft.
2. Remove the snap ring and flat washer that retains the control link lever, shaft and bearing assembly in the drive housing, then remove the lever, shaft and bearing assembly from the housing.

NOTE: The two governor control link lever, shaft and bearing assemblies in the governor drive housing and governor control housing are identical, except for the location of the keyway in the outer end of the shaft. If both control link lever, shaft and bearing assemblies are to be removed, be sure and tag one or both of the lever assemblies so they may be reinstalled in their respective housings.

3. If necessary, remove the control link lever shaft bearing from the shaft as follows:

- a. Support the inner end of the control link lever on a sleeve, on the bed of an arbor press, then press the shaft approximately 1/4 inch out of the lower end of the lever.
- b. Support the opposite end of the lever, next to the bearing, on the bed of an arbor press. Do not put the support under the bearing. Then press the shaft back in flush with the end of the lever.

NOTE: This will leave approximately 1/4 inch space between the bearing and the lever.

- c. Place two split plates between the bearing and the lever, then support the split plates, lever, shaft and bearing assembly on the bed of an arbor

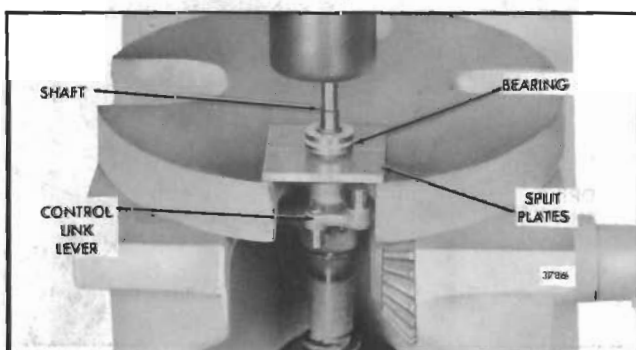


Fig. 11 - Removing Bearing from Control Link Lever Shaft

press as shown in Fig. 11. Press the shaft from the bearing.

NOTE: The hole in the split plates should be the same diameter as the shaft so the inner race of the bearing will rest on the plates when in place.

- d. If necessary, the control link lever shaft may be pressed from the control link lever.

4. Inspect the control link lever shaft oil seal for wear and damage. If necessary, the oil seal may be replaced in the governor drive housing without removing the drive and driven gear assemblies. Replace the oil seal as follows:

- a. Support the inner face of the drive housing on two wood blocks approximately 2" thick. Then place a short piece of 3/4" round bar stock on top of the oil seal and tap it out of the housing with a hammer.
- b. Apply a thin coat of sealing compound to the outside diameter of the new oil seal casing, then start the oil seal with the lip of the seal facing down, straight into the bore in the housing.
- c. Support the inner face of the drive housing on two wood blocks on the bed of an arbor press. Place the 3/4" round bar stock on top of the oil seal and under the ram of the press, then press the oil seal into the housing until it is .340" below the outer face of the housing (Fig. 10).

5. Remove the snap ring securing the governor driven gear bearing in the drive housing, then pull the driven

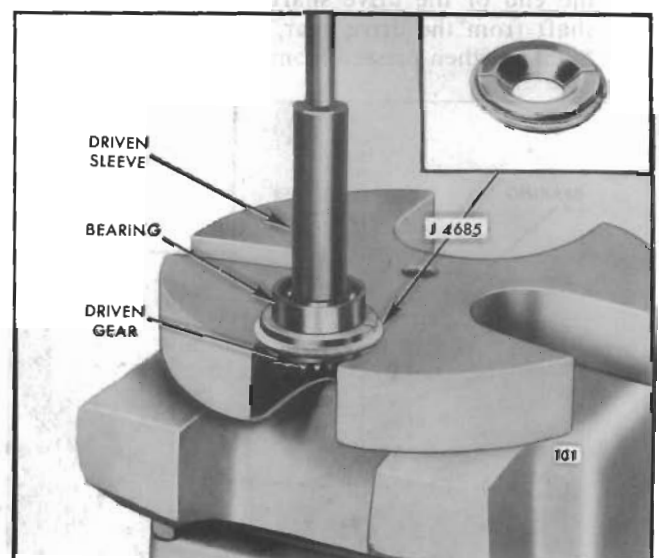


Fig. 12 - Removing Driven Sleeve and Bearing from Driven Gear

gear, bearing and driven gear sleeve from the bore in the housing.

6. Remove the governor driven gear sleeve and bearing from the driven gear as follows:

- a. Place the split bearing remover J 4685 between the driven gear and the bearing, with the beveled side of the remover facing the gear.
- b. Support the driven gear assembly and remover on the bed of an arbor press (Fig. 12). Place a brass rod inside the sleeve, against the end of the driven gear, then press the driven gear from the sleeve and bearing. Catch the driven gear by hand when pressed from the bearing.

7. Remove the governor drive gear, drive shaft and bearing assembly by pulling it straight out of the bore in the housing.

8. Remove the governor drive shaft bearing and drive gear from the drive shaft as follows:

- a. Place the split bearing remover J 4685 between the drive gear and the bearing, with the beveled side of the remover facing the gear.
- b. Support the drive gear assembly and remover on the bed of an arbor press (Fig. 13). Place a brass rod on the end of the drive shaft, then press the drive gear and shaft assembly from the bearing. Catch the drive gear and shaft by hand when pressed from the bearing.
- c. Place two split brass plates beneath the teeth of the drive gear, then support the assembly on the bed of an arbor press (Fig. 14). Place a brass rod on the end of the drive shaft, then press the drive shaft from the drive gear. Catch the drive shaft by hand when pressed from the drive gear.

9. If necessary, the governor control link lever assembly and oil seal may be removed from the governor control housing and the bearing removed from the control link lever shaft by following the procedure outlined in Steps 1 through 4 above.

Inspection

Wash all of the parts in clean fuel oil and dry them with compressed air.

Inspect the teeth of the drive and driven bevel gears for chipping, scoring or wear. Remove any slight score marks with a stone. If the teeth are severely scored or worn, replace the gears.

Examine the drive shaft and the driven shaft sleeve for worn splines. Also, check the mating parts for wear.

Check each ball bearing for indications of corrosion or pitting. Lubricate the bearing with light engine oil. Then, while holding the inner race, revolve the outer race slowly by hand. Any rough spot in the bearing is sufficient cause for rejection.

Check the control link lever shaft and vertical link spherical bearings for free movement on their inner race. Also examine the control link lever shaft oil seals for wear, cracks or other damage.

Check the fuel rod pins in the control link levers for wear and scoring.

Examine the fuel rod cover hoses for damage.

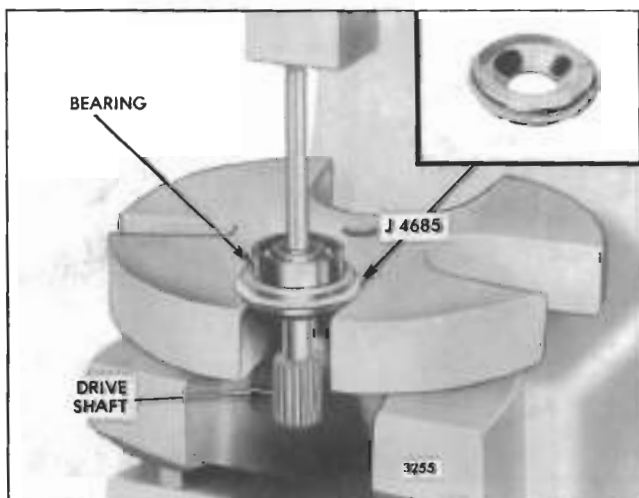


Fig. 13 - Removing Bearing from Drive Gear

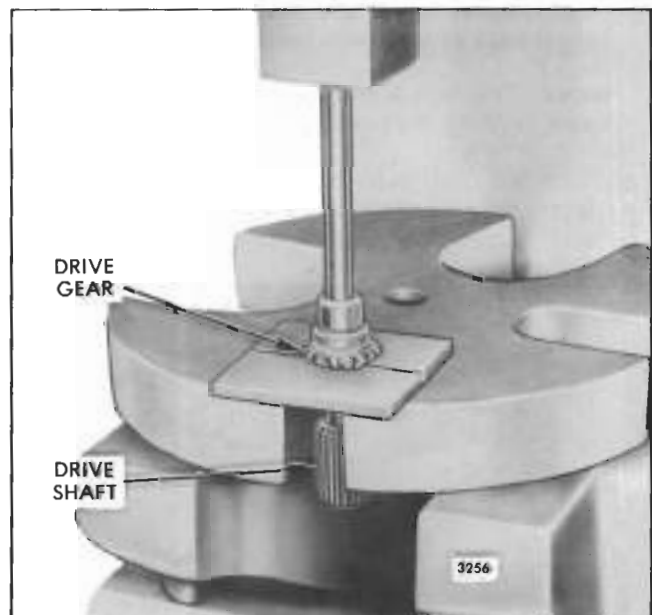


Fig. 14 - Removing Drive Gear from Drive Shaft

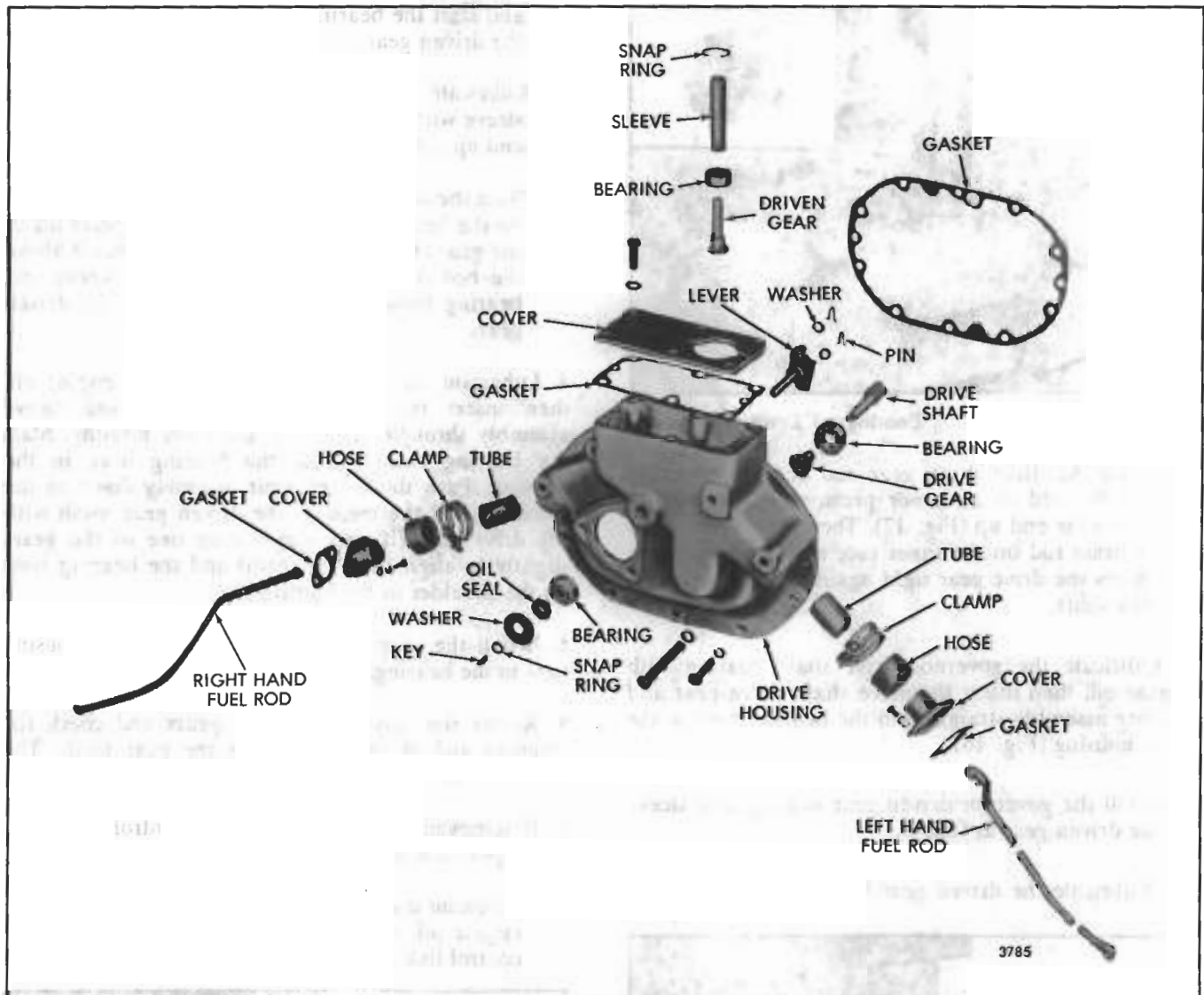


Fig. 15 - Details of Enclosed Linkage Type Hydraulic Governor Drive and Relative Location of Parts

Replace all of the governor drive and control housing parts that are excessively worn or damaged.

Replace all of the governor drive and control housing parts that are excessively worn or damaged. When replacing the governor drive shaft sleeve on an engine with an EGB or LSG governor built prior to January, 1971, the governor drive coupling (a component of the governor assembly) must be removed. The current governor drive shaft sleeve is 1.290" longer than the former sleeve to offset the drive coupling.

Assemble Governor Drive

Refer to Figs. 10 and 15 for the location of the various parts and assemble the governor drive as outlined below:

1. Install the governor drive shaft bearing and drive gear on the drive shaft as follows:

- a. Lubricate the drive shaft bearing with engine oil and start the bearing, numbered side up, straight on the end of the drive gear.
- b. Place the beveled end of the drive gear on the bearing installer J 4683 and place the assembly on the bed of an arbor press as shown in Fig. 16. Then place a sleeve on the inner race of the bearing and press the bearing tight against the shoulder on the drive gear.
- c. Lubricate the small end of the governor drive shaft with engine oil, then start the drive gear straight on the shaft with the gear teeth facing the splined end of the shaft.

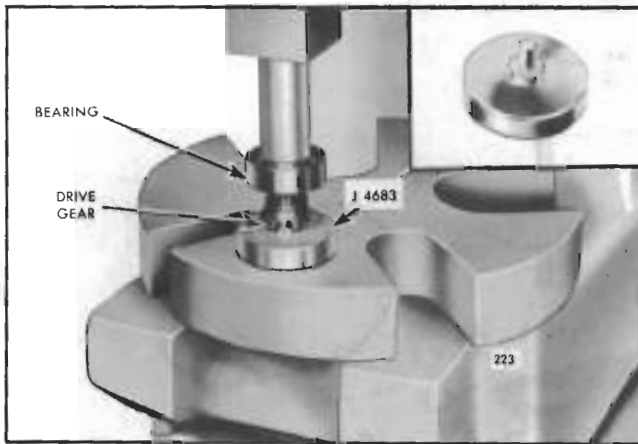


Fig. 16 - Installing Bearing on Drive Gear

- d. Place the drive shaft, gear and bearing assembly on the bed of an arbor press, with the bearing and gear end up (Fig. 17). Then place a sleeve or a brass rod on the inner race of the bearing and press the drive gear tight against the shoulder on the shaft.
2. Lubricate the governor drive shaft bearing with engine oil, then insert the drive shaft, drive gear and bearing assembly straight into the bearing bore in the drive housing (Fig. 10).
3. Install the governor driven gear bearing and sleeve on the driven gear as follows:

- a. Lubricate the driven gear bearing with engine oil

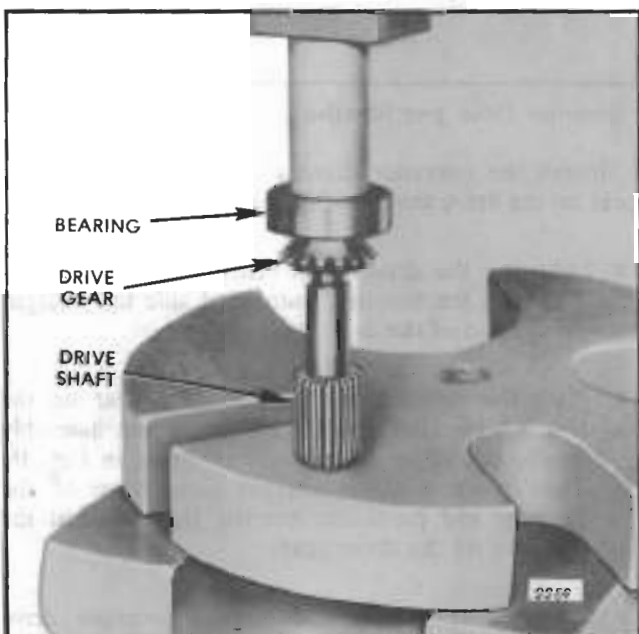


Fig. 17 - Installing Drive Gear and Bearing on Drive Shaft

and start the bearing, number side up, straight on the driven gear.

- b. Lubricate the inside diameter of the driven gear sleeve with engine oil and start the sleeve, splined end up, straight on the end of the driven gear.
- c. Place the driven gear, bearing and sleeve assembly on the bed of an arbor press, with a spacer under the gear (Fig. 18) to support the gear teeth above the bed of the press. Then press the sleeve and bearing tight against the shoulder on the driven gear.

4. Lubricate the driven gear bearing with engine oil, then insert the driven gear, bearing and sleeve assembly through the top of the drive housing. Start the bearing straight into the bearing bore in the housing. Push the driven gear assembly down in the housing until the teeth of the driven gear mesh with the drive gear (if necessary, rotate one of the gears slightly to align the gear teeth) and the bearing rests on the shoulder in the housing.

5. Install the snap ring in the groove in the housing next to the bearing.

6. Rotate the drive and driven gears and check for freeness and clearance between the gear teeth. The clearance should be .001 " to .003 ".

7. If removed, install the governor control link lever shaft spherical bearing on the shaft as follows:

- a. Lubricate the control link lever shaft bearing with engine oil, then start the bearing straight on the control link lever shaft.

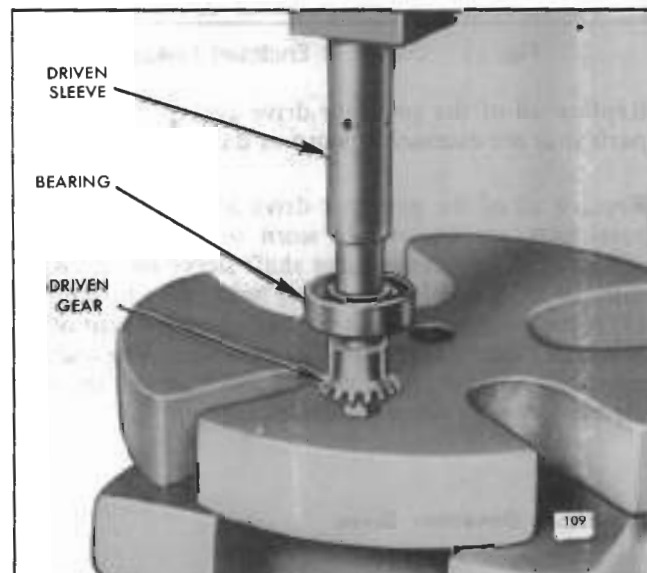


Fig. 18 - Installing Bearing and Driven Sleeve on Driven Gear

- b. Support the control link lever, shaft and bearing assembly on the bed of an arbor press, with a spacer under the control link lever and shaft as shown in Fig. 19. Place a sleeve on top of the bearing inner race, then press the bearing tight against the control link lever.

8. Lubricate the control link lever shaft bearing with engine oil, then start the control link lever, shaft and bearing assembly straight into the bore in the drive housing (Fig. 10). Push the assembly in until the bearing is tight against the shoulder in the housing.

IMPORTANT: Be sure to install the proper control link lever, shaft and bearing assembly in the governor drive housing. Refer to Fig. 10 and **NOTE** in Step 2 under *Disassemble Governor Drive*. When the control link lever, shaft and bearing assemblies are correctly installed, the keyway in the outer end of each shaft will face the right-hand side of the engine, as viewed from the rear, when the blower assemblies are attached to the cylinder block.

9. Install the governor control link lever shaft oil seal in the governor drive housing as follows:

- Wrap a thin layer of cellulose tape over the snap ring groove and keyway in the outer end of the control link lever shaft to protect the oil seal lip.
- Support the governor drive housing on the bed of an arbor press, with a spacer under the end of the control link lever to prevent the bearing from slipping out of the housing (Fig. 20).
- Apply a thin coat of sealing compound on the outside diameter of the new oil seal casing, then place the oil seal, with the lip of the seal facing down, over the end of the shaft and start it

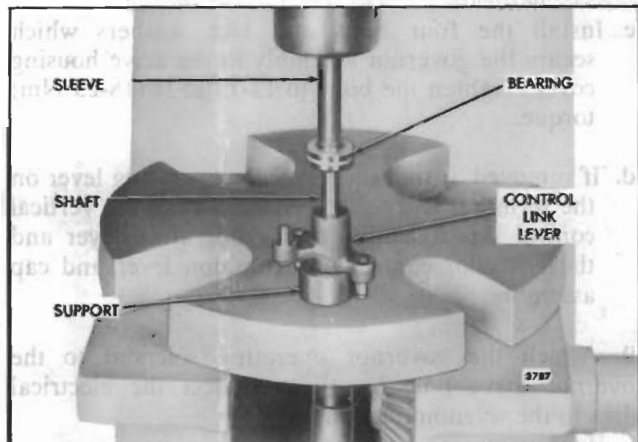


Fig. 19 - Installing Bearing on Governor Control Link Lever Shaft

straight into the bore in the housing. Be careful not to damage the oil seal lip.

- Place a 23/32" outside diameter sleeve over the end of the shaft and rest it on top of the seal, then press the oil seal into the housing until it is .340" below the outer face of the housing (Fig. 10).
- Remove the tape from the shaft, then place the flat washer over the shaft against the housing and install the snap ring in the groove in the shaft. Install the Woodruff key in the keyway in the shaft.

Install Governor Drive

After the governor drive is assembled, it may be attached to the rear blower, the blower assembly installed on the cylinder block, and the governor attached to the drive housing by following the procedure outlined below:

1. Affix a new gasket to the rear blower front end plate. Then, with the splines of the governor drive shaft and the blower rotor shaft in alignment, insert the drive shaft into the rotor shaft and slide the drive housing on the dowels.

2. Install the ten bolts, seven lock washers and three copper washers which secure the drive housing to the blower end plate. Tighten the bolts to 13-17 lb-ft (18-23 Nm) torque.

NOTE: The three copper washers are used on the three long bolts which are exposed to the oil inside the drive housing.

3. Attach the fuel pump assembly to the governor drive housing as follows:

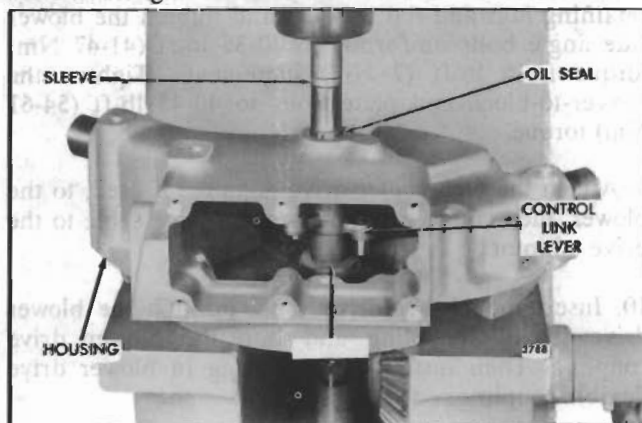


Fig. 20 - Installing Control Link Lever Shaft Oil Seal in Governor Drive

- a. Affix a new gasket to the bolting flange of the fuel pump body.
 - b. Place the fuel pump drive coupling fork over the square on the end of the pump drive shaft.
 - c. Align the ends of the drive coupling fork with the slots in the drive coupling disc, then place the fuel pump against the governor drive housing with the openings in the fuel pump inlet and outlet elbows facing up.
- IMPORTANT:** Make sure the ends (prongs) of the drive coupling fork are in the slots of the drive disc before installing and tightening the attaching bolts.
- d. Install the three bolt and seal assemblies and tighten the bolts to 13-17 lb-ft (18-23 Nm) torque.
4. Place a hose and clamp on each of the fuel rod tubes in the governor drive housing, then tighten the clamp screws to retain the clamps on the hoses.
 5. Affix a new blower housing gasket to the top of the cylinder block. Use a good grade of non-hardening cement to prevent the gasket from shifting when the blower is installed.
 6. Thread eyebolts in diagonally opposite tapped holes in the top of the blower housing. Then attach a rope sling and chain hoist to the eyebolts so the blower may be lifted at an angle.
 7. Lift the blower assembly, front end first, at an angle and position it over the top of the cylinder block. Lower the blower and start the blower seal on the rear blower end plate cover over the blower drive support. Then move the blower back and lower it against the gasket on the cylinder block.
 8. Secure the blower to the cylinder block with bolts, retaining lugs and flat washers and tighten the blower side angle bolts uniformly to 30-35 lb-ft (41-47 Nm) torque in 5 lb-ft (7 Nm) increments. Tighten the blower-to-block end plate bolts to 40-45 lb-ft (54-61 Nm) torque.
 9. Attach the tachometer drive adaptor, if used, to the blower, then connect the tachometer drive cable to the drive adaptor.
 10. Insert the blower drive shaft through the blower drive flexible coupling and into the blower drive coupling. Then install the snap ring in blower drive flexible coupling.
 11. Affix a new gasket to the flywheel housing cover, then attach the cover to the flywheel housing with bolts and lock washers.
 12. Place the lower seal clamp in position on the seal and tighten the clamp screw.
 13. Slide the blower oil pressure tube out of the blower and connect it to the fitting in the blower drive support.
 14. Insert the fuel rods through the opening in the top of the drive housing. Then connect them to their injector control tube levers and to the control link lever in the drive housing.
 15. Loosen the fuel rod cover hose clamps, then slide the hoses into position on the covers and tubes and tighten the hose clamps.
 16. Place the governor control link lever and cap assembly over the governor control link lever shaft and key and secure it in place with bolts and lock washers.
 17. Affix a new gasket to the top of the governor drive housing, then place the housing cover on top of the gasket with the governor opening in the cover over the governor driven gear sleeve. Install two bolts and lock washers in the end holes, opposite the governor opening. Do not tighten the bolts at this time.
 18. Install the governor assembly as follows:
 - a. Affix a new governor gasket to the top face of the drive housing cover.
 - b. Position the governor assembly over the governor drive housing with the terminal lever shaft side of the governor facing the engine front blower. Align the splines of the ball head shaft with the splines in the driven gear sleeve, then start the ball head shaft straight into the sleeve and lower it against the gasket on the cover.
 - c. Install the four bolts and lock washers which secure the governor assembly to the drive housing cover. Tighten the bolts to 13-17 lb-ft (18-23 Nm) torque.
 - d. If removed, install the governor operating lever on the terminal lever shaft, then connect the vertical control link assembly to the operating lever and the governor control link common lever and cap assembly.
 19. Attach the governor operating solenoid to the governor drive housing, then connect the electrical wires to the solenoid terminals.
 20. Connect the oil inlet and outlet tubes to the governor operating solenoid, governor and drive housing.

21. Attach the governor oil reservoir to the governor drive housing, then connect the oil inlet, outlet and return tubes to the oil reservoir, governor and drive housing.
22. Connect the fuel oil inlet and outlet pipes to the fuel oil pump.
23. Attach the battery charging alternator to the engine flywheel housing, then connect the electrical wires to the alternator.
24. Attach the air shutdown housing to the top of the blower.
25. On industrial units, install the air inlet pipe between the air cleaner, or turbocharger, and the air shutdown housing on the rear blower.
26. On marine units, install the air inlet pipe between the air cleaner and the air shutdown housing on the rear blower.
27. Connect the throttle control linkage to the governor speed control lever.
28. Perform an engine tune-up as outlined in Section 14.

1. 1911
1912

1913
1914

1915
1916

1917
1918

FUEL INJECTOR CONTROL TUBE

The fuel injector control tube assemblies (Fig. 1) are mounted on the left and right bank cylinder heads of an engine and consist of a control tube, injector rack control levers, a return spring and injector control tube lever mounted in two bracket and bearing assemblies attached to each cylinder head.

The injector rack control levers connect with the fuel injector control racks and are held in position on the control tube with two adjusting screws. The return spring enables the rack levers to return to the no-fuel position. The injector control tube lever is pinned to the end of the control tube and connects with the fuel rod which connects with the engine governor. Refer to Section 14 for positioning of the injector rack control levers.

Certain engines use spring-loaded injector control tube assemblies (Fig. 2), similar to the above except they have a yield spring at each injector rack control lever and only one screw and lock nut to keep each injector rack properly positioned. This enables an engine to be brought to a lesser fuel position if there is an inoperative fuel injector rack whereas with the non-spring loaded two screw injector control tube this could not be done. The above also permits the use of an air

inlet housing with no emergency air shut-off valve as is required in some applications.

NOTE: Do not replace the spring-loaded fuel injector control tube and lever assembly with the two screw design control tube assembly without including an air inlet housing that incorporates an emergency air shut-off valve. However, when the spring-loaded fuel injector control tube and lever assembly is installed on an engine and the emergency shutdown mechanism is removed from the air inlet housing, the shaft holes at each end of the housing must be plugged. Ream the shaft holes to .6290" and install a 5/8" cup plug at each end of the housing.

Engine shut down (normal or emergency) is accomplished on the spring-loaded fuel injector control tube (one screw design) by pulling the governor shutdown lever to the no-fuel position. With the two screw design injector control tube and lever assembly, emergency engine shutdown is accomplished by tripping the air shut-off valve in the air inlet housing. Normal shut down is accomplished by pulling the governor shutdown lever to the no-fuel position. Adjustment of the single screw and lock nut on each

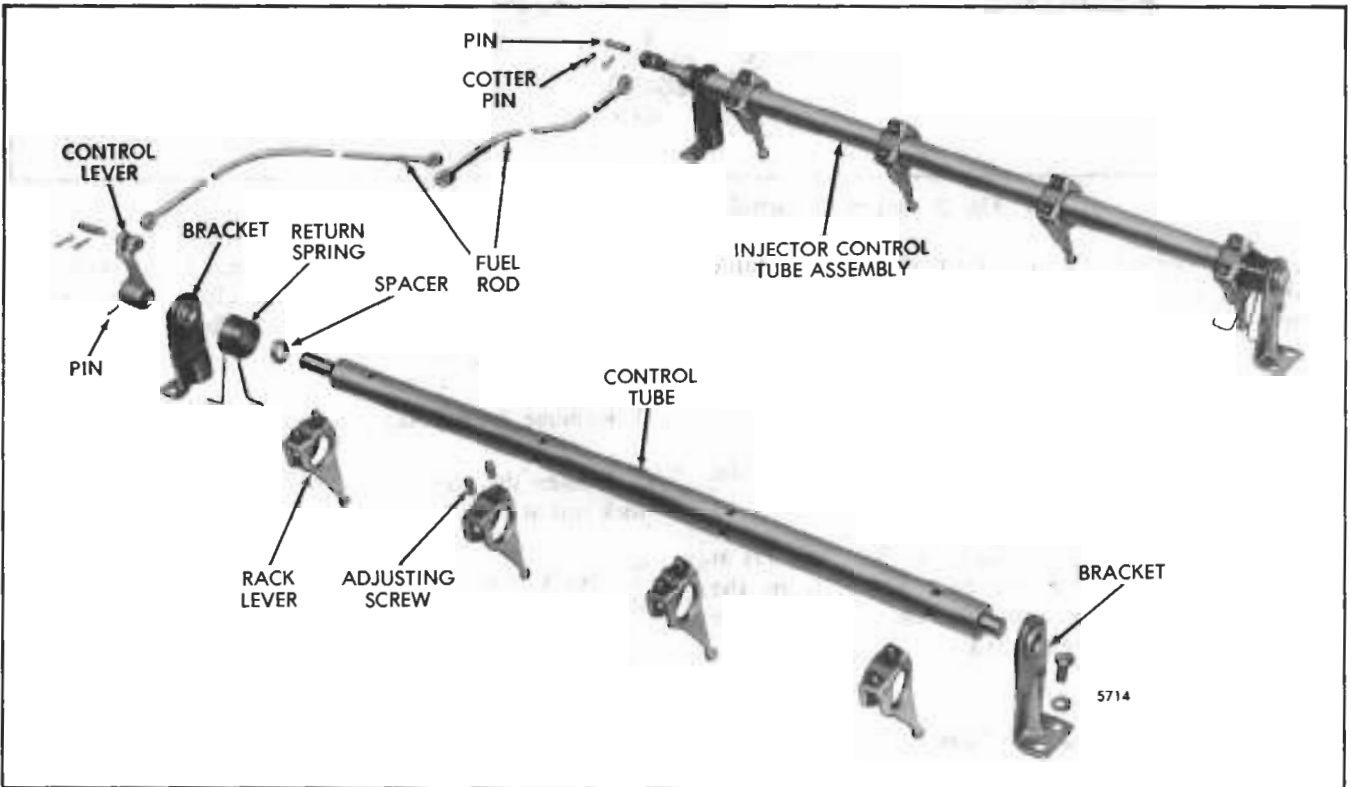


Fig. 1 - Injector Control Tube Assemblies (Non-Spring Loaded)

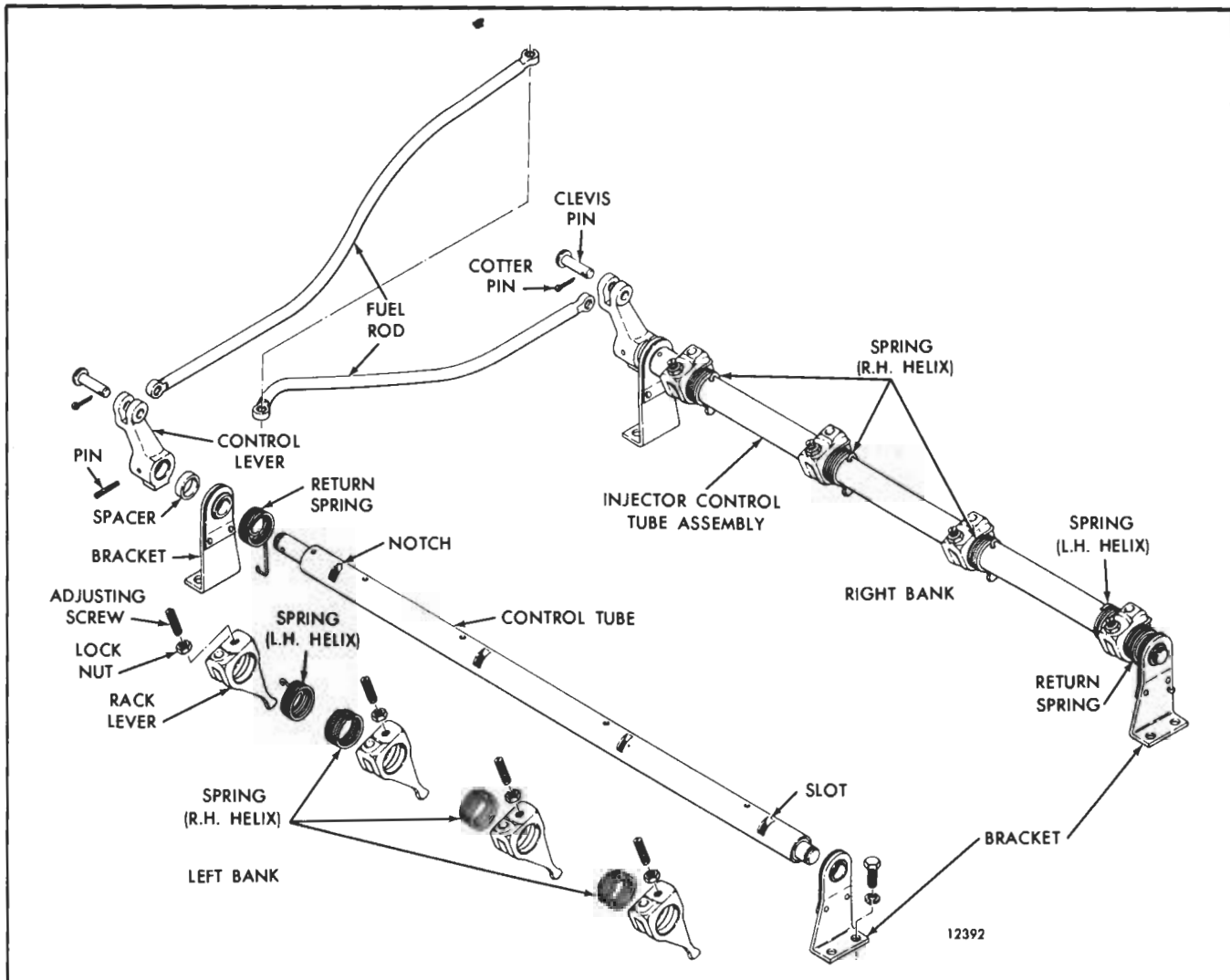


Fig. 2 - Injector Control Tube Assemblies (Spring-Loaded)

injector rack control lever can be performed the same as for the two screw design rack control lever as outlined in Section 14.

Remove Injector Control Tube

1. Remove the cotter pin and clevis pin connecting the fuel rod to the injector tube control lever.
2. Remove the two attaching bolts and lock washers at each bracket. Disengage the rack levers from the injector control racks and lift the control tube assembly from the cylinder head.

Disassemble Injector Control Tube

The injector control tube, one mounting bracket, a spacer and injector control tube lever are available as a service assembly. When any part of this assembly

needs replacing, it is recommended the complete service assembly be replaced. Therefore, the disassembly and assembly procedure for these items is not included in the following:

1. Remove the bracket from the injector control tube.
2. Loosen the adjusting screws or adjusting screw and lock nut at each injector rack control lever.
3. With the spring-loaded injector control tube, disconnect the yield springs at each rack lever, then roll the yield springs out of the slots and notch of the control tube.
4. Disconnect the return spring from the bracket and front or rear rack lever.
5. Then remove the yield springs and/or return spring and rack levers from the control tube.

Inspection

Wash all of the injector control tube parts in clean fuel oil and dry them with compressed air.

Examine the control tube, control lever, control tube rack control levers and brackets for **excessive wear**, cracks or damage and replace them if necessary. The bearing in the bracket is not serviced **separately**. Examine the yield springs and/or return spring and replace them if worn or fractured.

Assemble Injector Control Tube

With all of the parts cleaned and inspected and the necessary new parts on hand, refer to Fig. 1 or 2 and assemble as follows:

LEFT BANK CYLINDER HEAD

1. Install the return spring on the control tube and against the front bracket.
2. On the two screw design injector control tube, install the rack control levers on the control tube, with the levers facing the rear bracket position, and turn the adjusting screws in far enough to position the levers on the control tube.
3. On the one screw and lock nut design injector control tube, install a rack control lever, with the lever facing the rear bracket position, and the odd (L. H. helix) yield spring. Then install the R. H. helix yield springs and rack control levers with the levers facing the rear bracket.
4. On the one screw and lock nut design injector control tube, attach the curled end of the yield springs to the rack control levers and roll the yield springs into the notch (odd spring) and slots (R. H. helix springs) in the control tube. Then turn the adjusting screws and lock nuts into the slots far enough to position the levers on the control tube.
5. On both designs, attach the curled end of the control tube return spring to the rack control lever and the extended end of the spring behind the front bracket.
6. On both designs, install the rear bracket on the end of the injector control tube.

RIGHT BANK CYLINDER HEAD

1. On the two screw design injector control tube, install the rack control levers on the control tube, with the levers facing the front bracket position. Turn the adjusting screws into the slots in the control tube far enough to position the levers.
2. On the one screw and lock nut design injector control tube, install the rack control levers, with the levers facing the front bracket position and the R. H. helix yield springs. Then install the odd (L. H. helix) yield spring and rack control lever, with the lever facing the front bracket position.
3. Attach the curled end of the yield springs to the rack control levers and roll the springs into the notch (odd yield spring) and the slots (R. H. helix yield springs) in the control tube. Then turn the adjusting screws and lock nuts into the notch and slots far enough to position the levers on the control tube.
4. On both designs, install the control tube return spring and rear bracket on the control tube. Attach the curled end of the return spring to the rack control lever and the extended end of the spring behind the rear bracket.

Install Injector Control Tube

1. Engage the injector rack control levers with the injector control racks and place the brackets over the mounting holes on the cylinder head.
2. Install the two 1/4"-20 x 5/8" bolts and lock washers at each bracket to attach the injector control tube assembly to the cylinder head. Tighten the bolts to 10-12 lb-ft (14-16 Nm) torque.
3. Check the control tube to be sure it is free in the brackets. Tap the control tube lightly to align the bearings in the bracket, if necessary.
4. Connect the fuel rod to the injector tube control lever with a clevis pin and a new cotter pin.
5. Refer to Section 14 and position the injector rack control levers.

NOTE: Be sure the injector rack control levers can be placed in a no-fuel position before re-starting the engine.

CAUTION: Loss of shut down control could result in a runaway engine which could cause personal injury.

SHOP NOTES - TROUBLE SHOOTING - SPECIFICATIONS - SERVICE TOOLS

SHOP NOTES

INJECTOR CALIBRATOR READINGS

Several factors affect the injector calibrator output readings. The four major items are:

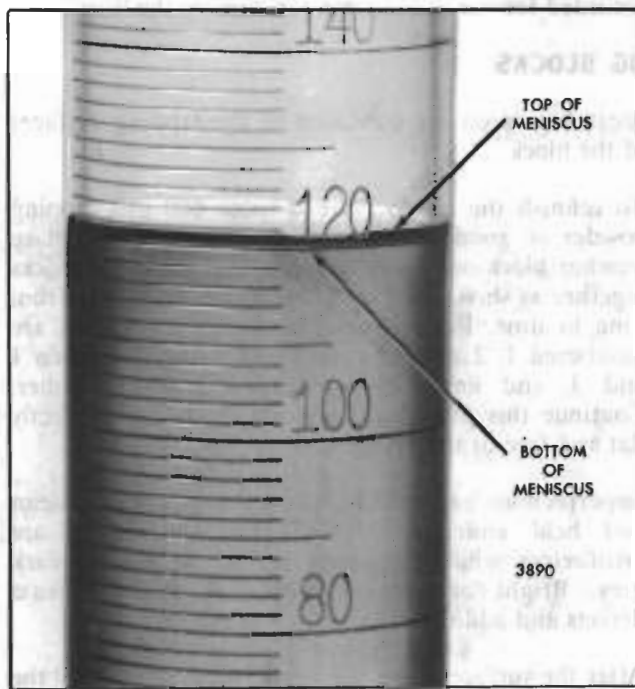


Fig. 1 - Check Fuel Output

1. **Operator Errors:** If the column of liquid in the vial is read at the top of the meniscus instead of at the bottom, a variation of 1 or 2 points will result. Refer to Fig. 1.

CHECKING INJECTOR TESTER J 9787

The injector tester J 9787 should be checked monthly to be sure that it is operating properly. The following check can be made very quickly using test block J 9787-49.

Fill the supply tank in the injector tester with clean injector test oil J 26400. Open the valve in the fuel supply line. Place the test block on the injector locating plate and secure the block in place with the fuel inlet connector clamp. Operate the pump handle until all of the air is out of the test block, then clamp the fuel outlet connector onto the test block. Break the

2. **Air In Lines:** This can be caused by starting a test before the air is purged from the injector and lines, or from an air leak on the vacuum side of the pump.

3. **Counter Improperly Set:** The counter should be set to divert the injector output at 1,000 strokes.

This should not be confused with counter overrun that will vary from 2 to 6 digits, depending upon internal friction. The fuel diversion is accomplished electrically and will occur at 1,000 strokes (if properly set) although the counter may overrun several digits.

4. **Test Oil:** A special test oil is supplied with the calibrator and should always be used. If regular diesel fuel oil (or any other liquid) is used, variations are usually noted because of the affect of the oil on the solenoid valve and other parts.

The fuel oil introduced into the test oil when the fuel injector is placed in the calibrator for a calibration check contaminates the test oil. Therefore, it is important that the test oil and test oil filter be changed every six months, or sooner if required.

In addition, other malfunctions such as a slipping drive belt, low level of fuel oil, a clogged filter, a defective pump or leaking line connections could cause bad readings. A frequent check should be made for any of these tell-tale conditions.

connection at the gage and operate the pump handle until all of the air bubbles in the fuel system disappear. Tighten the connection at the gage. Operate the pump handle to pressurize the tester fuel system to 2400-2500 psi. Close the valve on the fuel supply line. After a slight initial drop in pressure, the pressure should remain steady. This indicates that the injector tester is operating properly. Open the fuel valve and remove the test block.

If there is a leak in the tester fuel system, it will be indicated by a drop in pressure. The leak must be

located, corrected and the tester rechecked before checking an injector.

Occasionally dirt will get into the pump check valve in the tester, resulting in internal pump valve leakage and the inability to build up pressure in the tester fuel system. Pump valve leakage must be corrected before an injector can be properly tested.

When the above occurs, loosen the fuel inlet connector clamp and operate the tester pump handle in an attempt to purge the dirt from the pump check valve. A few quick strokes of the pump handle will usually correct a dirt condition. Otherwise, the pump check

valve must be removed, lapped and cleaned, or replaced.

If an injector tester supply or gage line is damaged or broken, install a new replacement line (available from the tester manufacturer). Do not shorten the old lines or the volume of test oil will be altered sufficiently to give an inaccurate valve holding pressure test.

If it is suspected that the lines have been altered, i.e. by shortening or replacing with a longer line, check the accuracy of the tester with a master injector on which the pressure holding time is known. If the pressure holding time does not agree with that recorded for the master injector, replace the lines.

REFINISH LAPPING BLOCKS

As the continued use of the lapping blocks will cause worn or low spots to develop in their lapping surfaces, they should be refinished from time to time.



Fig. 2 - Refinishing Lapping Blocks

It is good practice, where considerable lapping work is done, to devote some time each day to refinishing the blocks. The quality of the finished work depends to a

great degree on the condition of the lapping surfaces of the block.

To refinish the blocks, spread some 600 grit lapping powder of good quality on one of the blocks. Place another block on top of this one and work the blocks together as shown in Fig. 2. Alternate the blocks from time to time. For example, assuming the blocks are numbered 1, 2 and 3, work 1 and 2 together, then 1 and 3, and finish by working 2 and 3 together. Continue this procedure until all blocks are perfectly flat and free of imperfections.

Imperfections are evident when the blocks are clean and held under a strong light. The blocks are satisfactory when the entire surface is a solid dark grey. Bright or exceptionally dark spots indicate defects and additional lapping is required.

After the surfaces have been refinished, remove all the powder by rinsing the lapping blocks in trichloroethylene and scrubbing with a bristle brush.

When not in use, protect the lapping blocks against damage and dust by storing them in a close fitting wooden container.

INJECTOR TIMING

If it is suspected that a fuel injector is "out of time", the injector rack-to-gear timing may be checked without disassembling the injector.

A hole located in the injector body, on the side opposite the identification tag, may be used to visually determine whether or not the injector rack and gear are correctly timed. When the rack is all the way in (full-fuel position), the flat side of the plunger will be visible in the hole, indicating that the injector is "in time". If the flat side of the plunger does not come into full view (Fig. 3) and appears in the "advanced" or "retarded" position, dis-assemble the injector and

correct the rack-to-gear timing.

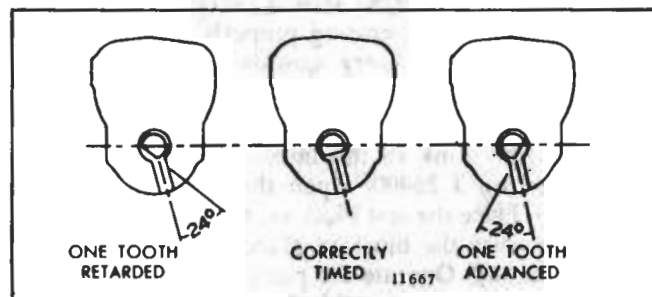


Fig. 3 - Injector Rack-to-Gear Timing

FUEL INJECTOR SPRAY TIPS

Due to a slight variation in the size of the small orifices in the end of each spray tip, the fuel output of an injector may be varied by replacing the spray tip.

Flow gage J 25600 may be used to select a spray tip

that will increase or decrease fuel injector output for a particular injector after it has been rebuilt and tested on the calibrator.

EFFECTS OF PRE-IGNITION ON FUEL INJECTOR

Pre-ignition is due to ignition of fuel or lubricating oil in the combustion chamber before the normal injection period. The piston compresses the burning mixture to excessive temperatures and pressures and may eventually cause burning of the injector spray tip and lead to failure of the injectors in other cylinders.

When pre-ignition occurs, remove all of the injectors and check for burned spray tips or enlarged spray tip orifices.

Before replacing the injectors, check the engine for the cause of pre-ignition to avoid re-occurrence of the problem. Check for oil pull-over from the oil bath air cleaners, damaged blower housing gasket, defective blower oil seals, high crankcase pressure, plugged air box drains, ineffective oil control rings or dilution of the lubricating oil.

REFINISHING INJECTOR FOLLOWER FACE

When refinishing the face of an injector follower, it is extremely important that the distance between the follower face and the plunger slot is not less than the 1.645" minimum shown in Fig. 4.

If this distance is less than specified, the height of the injector follower in relation to the injector body will be altered and proper injector timing cannot be realized.

NOTE: The maximum amount of metal that can be removed from the injector follower face and still ensure a sufficiently hardened surface for contact with the rocker arm, is .010".

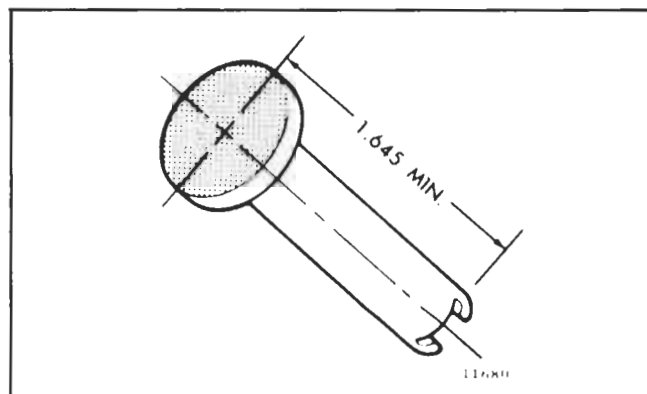


Fig. 4 - Injector Follower

MASTER INJECTOR CALIBRATING KIT

Use Master Injector Calibrating Kit J 26298 to determine the accuracy of the injector calibrator.

With the test fluid temperature at $100^{\circ}\text{F} \pm 1^{\circ}$ ($38^{\circ}\text{C} \pm 1^{\circ}$) and each injector warm after several test cycles, run the three injectors contained in the kit. Several readings should be taken with each injector to check for accuracy and repeatability. If the output readings are within 2% of the values assigned to the calibrated masters, the calibrator can be considered accurate.

Injector testing can be carried out now without any adjustment of figures. However, when testing new injectors for output, any difference between the calibrator and the masters should be used to compute new injector calibration. If more than a 2% variation from the masters is noted, consult the calibrator manufacturer for possible causes.

The calibrated masters should only be used to qualify injector output calibration test equipment.

BLUING INJECTOR BODY AND NUT

The appearance of the injector body and nut of a rebuilt injector can be enhanced with an oxide finish obtained through a dipping process known as *bluing*. Pre-mixed compounds are available commercially for preparing the necessary solutions. Detailed instructions are usually provided with the commercial compounds. An effective bluing solution can be prepared in the service shop by mixing the following materials:

- 6 lbs. of sodium hydroxide per gallon of water,
- 3-1/2 lbs. of sodium nitrite per gallon of water and
- 1 ounce of phosphoric acid per gallon of water.

The procedure usually follows five (5) steps in sequence:

1. An alkaline solution bath (180-212 °F or 82-100 °C) to preclean.
2. A hot or cold water rinse.
3. The bluing solution bath.
4. A cold water rinse.
5. An engine lubricating oil bath (180-212 °F or 82-100 °C) to rustproof the parts. The bluing tank should be a double walled, 1-1/2 " insulated type of 10 gage steel.

The temperature of the bluing solution should be 295-305 °F (146-152 °C). The boiling point of the solution is directly related to its concentration. Therefore, when the boiling point is too high, the solution is too concentrated and the volume of water is probably low. When this occurs, the boiling point can be reduced to 300 °F (149 °C) by adding water. The parts should be placed in the solution for 15 to 30 minutes.

It is extremely important that the parts be free of oil before placing them in the bluing bath. Oil will produce a varied color part.

There are several important safety precautions to be followed for preparing and using the solutions. Protective clothing such as rubber gloves, rubber arm covers, rubber apron and protective face shield contribute to the safety of personnel carrying out the procedures. When preparing the solutions, the compounds should be added to the water and not water added to the compounds. The dipping tanks should be properly vented and all fumes exhausted to the outside atmosphere. Since temperatures of the caustic solutions exceed the boiling point of water, any splashing encountered while adding make-up water can cause serious burns. Always add water slowly and with extreme care. When the parts to be dipped are cold, caution should be taken to avoid splashing that might occur when the cold parts come in contact with the hot solutions. A heavy wire-screen type basket, suitable for holding a quantity of injector bodies, is recommended for dipping the parts in the solutions.

FUEL LINES

Flexible fuel lines are used to facilitate connection of the lines leading to and from the fuel tank, and to minimize the effects of any vibration in the installation.

Be sure a restricted fitting of the proper size is used to connect the fuel return line to the fuel return manifold. Do not use restricted fittings anywhere else in the fuel system.

When installing fuel lines, it is recommended that the connections be tightened only sufficiently to prevent leakage of fuel; thus flared ends of the fuel lines will not become twisted or fractured because of excessive tightening. After all of the fuel lines are installed, run the engine long enough to determine whether or not all connections are sufficiently tight. If any leaks occur, tighten the connections only enough to stop the leak. Also check the filter cover bolts for tightness.

LOCATING AIR LEAKS IN FUEL LINES

Air drawn into the fuel system may result in uneven running of the engine, stalling when idling, or a loss of power. Poor engine operation is particularly noticeable at the lower engine speeds. An opening in the fuel suction lines may be too small for fuel to pass through but may allow appreciable quantities of air to enter.

improper fuel line connections such as a fuel pump suction line connected to the short fuel return line in the fuel tank, which would cause the pump to draw air.

Presence of an air leak may be detected by observing the fuel filter contents after the filter is bled and the engine is operated for 15 to 20 minutes at a fairly high speed. No leak is indicated if the filter shell is full when loosened from its cover. If the filter shell is only partly full, an air leak is indicated.

Check for loose or faulty connections. Also check for

TAMPER-RESISTANT GOVERNOR FOR HIGHWAY VEHICLE ENGINES

A tamper-resistant double-weight limiting speed governor is provided for highway vehicle engines.

to remove the pins to get to the spring housing retainer bolts, the complete governor must be removed from the blower.

This governor incorporates an adaptable high-speed spring housing to make unauthorized speed setting changes extremely difficult.

The governor is not tamper-resistant as furnished on an engine by the factory. The spring housing retainer bolts are removable to permit governor adjustments that may be necessary before the engine is placed in service following delivery. To make the governor tamper-resistant after initial engine start-up, two plugs, two tapered pins and the gap adjusting screw and spring cover must be added to the governor as follows:

The new governor spring housing has one inch of additional metal resembling two bosses cast on the bolt head of the housing (Figs. 5 and 6). These bosses are counterbored to accept the two bolts which hold the spring housing on the governor housing and to allow for the installation of plugs over the bolt heads. The plugs are secured in the counterbores by tapered pins which, when driven in place, cannot be removed when the governor is mounted on the blower. In order

1. Disassemble the governor spring housing and spring assemblies as follows:

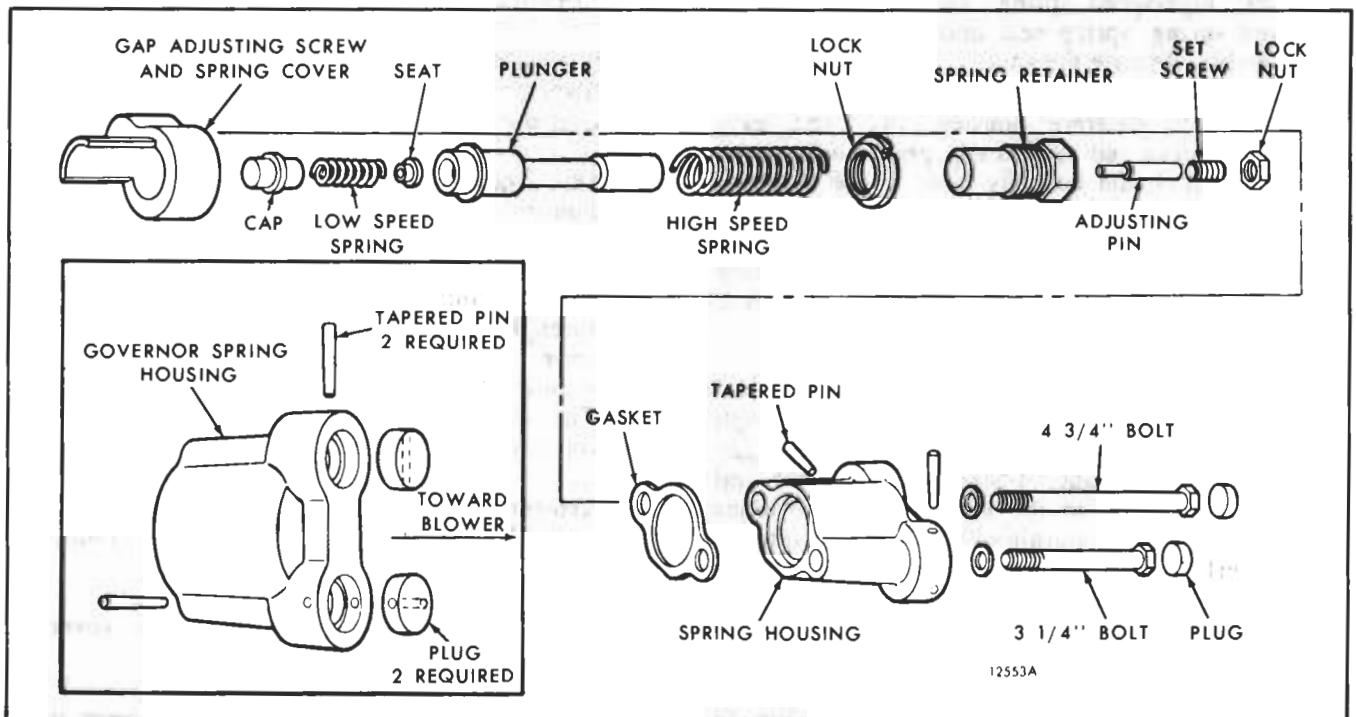


Fig. 5 - Tamper-Resistant Governor Components (Former)

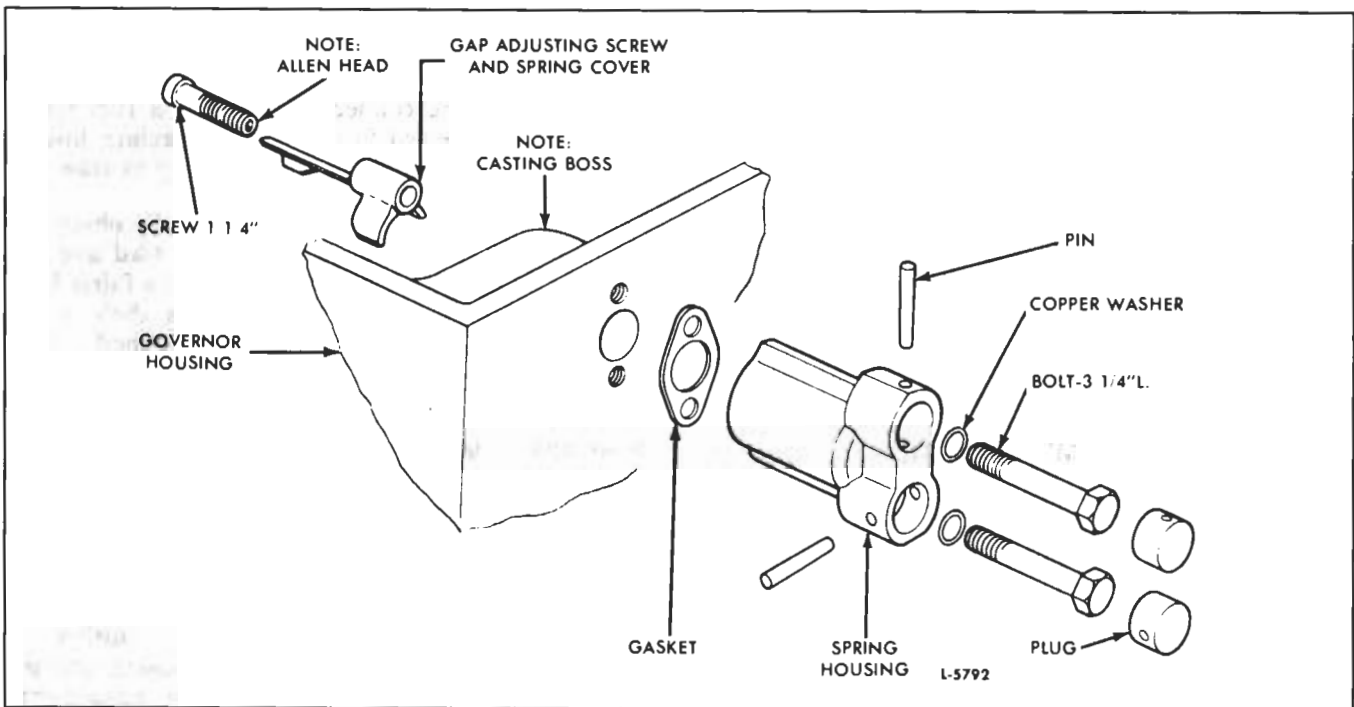


Fig. 6 - Tamper-Resistant Governor Components (Current)

- a. Remove the two bolts and washers securing the high-speed spring housing to the governor housing and withdraw the housing.
 - b. Loosen the high-speed spring retainer locknut with a spanner wrench. Then remove the high-speed spring retainer, idle speed adjusting pin and set screw, high-speed spring, spring plunger, low-speed spring, spring seat and spring cap as an assembly. Remove the gasket.
2. Remove the governor housing cover and lever assembly. Remove and discard the spring housing bolt retainer which should be lying loose in the governor housing.
3. Refer to Figs. 5 and 6 and install the gap adjusting pin and set screw and spring cover and spring assemblies in the governor housing as follows:
- a. On the current tamper-resistant governor, insert the 1-1/4" Allen head retaining screw through the unthreaded clearance hole in the gap adjusting screw and spring cover (Fig. 6) and secure the cover to the inside of the governor housing. The retaining screw sets into a counterbore in the current cover. Turn the retaining screw into the housing until the cover is secure.
 - b. On the former tamper-resistant governor, place the gap adjusting screw and spring cover (Fig. 5) in the governor housing with the threaded bolt

hole up and in position to receive the spring and plunger assembly.

- c. Insert the high-speed spring and plunger assembly in the high-speed spring retainer. Thread the idle speed adjusting screw into the threaded end of the plunger approximately 1/2". Then thread the locknut on the idle speed adjusting screw.
 - d. Insert the low-speed spring seat, spring and cap assembly into the high-speed spring plunger and over the idle speed adjusting screw.
 - e. Affix a new spring housing gasket to the governor housing.
 - f. Insert the springs, plunger and retainer as an assembly into the opening in the governor and through the center of the gap adjusting screw and spring cover. The inner diameter of the cover should pilot on the outer diameter of the retainer. Thread the retainer into the housing approximately one inch.
4. Perform the governor adjustments outlined in Section 14.3. Install the governor spring housing as follows:
- a. Position the spring housing on the governor housing.

NOTE: On vehicles using a frontal air system, it will be necessary to remove material from the

air cleaner adaptor boss to provide clearance for the governor spring housing.

- b. On the current tamper-resistant governor, insert one of the 3-1/4" attaching bolts with copper washer through the top bolt hole in the spring housing and thread it into the top hole on the outside of the governor housing. Tighten the bolt.
- c. On the former tamper-resistant governor, insert the 4-3/4" attaching bolt with copper washer through the top bolt hole in the spring housing and thread it into the threaded hole in the former gap adjusting screw and spring cover (Fig. 5). Tighten the bolt.
- d. Thread the 3-1/4" attaching bolt with lock washer (current and former governors) into the bottom hole in the spring and governor housings.
- e. Tighten each bolt to 13-17 lb-ft (18-24 Nm) torque.

NOTE: Coat the threads of the attaching bolts and the retaining screw with a Loctite sealant, or equivalent, to prevent loosening.

5. Refer to Fig. 5 and install the tamper-resistant plugs and pins in the counterbores of the spring housing as follows:
 - a. Install the top plug with the drilled passage in the vertical position and the larger opening up.
 - b. Install the bottom plug with the drilled passage horizontal and the larger opening away from the blower.
 - c. Drive the tapered pins, small end first, into the drilled passages in the top and side of the spring housing until the pin is below flush and firmly in place.

Most limiting speed governors on engines already in service can be converted to the tamper-resistant setup as follows:

1. Disassemble the governor spring housing and spring assemblies as outlined under Step 1, Items a and b above.
2. Remove the governor housing cover and lever assembly. Drill out the 5/16"-18 tapped hole in the governor housing at the spring housing top retaining bolt position to 11/32" diameter.

NOTE: Remove all drilled particles from the inside of the governor housing following the drilling operation.

3. Refer to Fig. 6 and install the current gap adjusting screw and spring cover and the high and low-speed spring assemblies), replacing the original retainer with the new longer retainer in the governor housing as outlined under Step 3, Items a through f above.
4. Perform the governor adjustments outlined in Section 14.3. Replace the original spring housing with the new spring housing and install the new housing and governor housing cover on the governor housing as outlined under Step 4, Items a through e above.
5. Refer to Figs. 5 or 6 and install the tamper-resistant plugs and pins in the counterbores of the spring housing as outlined under Step 5, Items a through c above.

NOTE: If the spring housing of a former tamper-resistant governor (Fig. 5) is removed for any reason, the gap adjusting screw and spring cover will fall into the governor housing. Therefore, it is important to remove the governor cover and lever assembly and check to make sure that the gap adjusting screw and spring cover is secured by the 5/16"-18 x 4-3/4" bolt after the spring housing is re-installed.

MODIFICATION OF GOVERNOR HOUSING TO ACCEPT CURRENT TAMPER-RESISTANT GAP ADJUSTING SCREW AND SPRING COVER

A former governor housing can be reworked to accept the new tamper-resistant gap adjusting screw and spring cover. Kent-Moore Master Thread Repair Kit J 26520 can be used.

With this procedure, two threaded inserts are installed in the governor housing, one from the inside and one from the outside. This will allow the new retaining screw to be installed on the inside of the governor housing and the new spring housing upper 3-1/4" bolt to be installed from the outside (Fig. 6).

1. Remove the governor cover, high-speed spring housing and spring pack.
2. Apply a thick coat of grease to the inside of the housing. Fit an oil soaked rag through the spring pack hole, using the grease as a seal between the housing and the rag.
3. Drill the upper high-speed spring housing bolt hole to 13/32" and tap the hole with a 7/16"-14 tap.

4. Remove the rag, making sure all of the chips are out of the housing. Then wipe the grease from the housing.

5. Thread a 5/16"-18 insert by hand from each side until the lock tabs bottom. Then use the 5/16" tab driver to drive the lock tabs in until flush. This will lock the insert in place. On the inside insert, use the same driver and a brass rod.

NOTE: The inserts and tab tools can be part of J 26520 master thread repair kit. The 5/16"-18 insert kit is J 26520-312 containing 20 inserts. The tab tool is J 26520-311.

The inside of the governor housing cast boss, where the drill breaks through, may need to be filed flat. This is to prevent the gap adjusting screw and spring cover from tilting out of position when the retaining screw is tightened.

TROUBLE SHOOTING

The fuel pump is so constructed as to be inherently trouble free. By using clean water-free fuel and maintaining the fuel filters in good condition, the fuel pump will provide long satisfactory service and require very little maintenance.

However, if the fuel pump fails to function satisfactorily, first check the level in the fuel tank, then make sure the fuel supply valve is open. Also check for external fuel leaks at the fuel line connections and filter gaskets. Make certain that all fuel lines are connected in their proper order.

Next, check for a broken pump drive shaft or drive coupling. Insert the end of a wire through one of the pump flange drain holes, then crank the engine momentarily and note if the wire vibrates. Vibration will be felt if the pump shaft rotates.

All fuel pump failures result in no fuel or insufficient fuel being delivered to the fuel injectors and may be indicated by uneven running of the engine, excessive vibration, stalling at idling speeds, or a loss of power.

The most common reason for failure of a fuel pump to function properly is a sticking relief valve. The

relief valve, due to its close fit in the valve bore, may stick in a fully open or partially open position due to a small amount of grit or foreign material lodged between the relief valve and its bore or seat. This permits the fuel oil to circulate within the pump rather than being forced through the fuel system.

Therefore, if the fuel pump is not functioning properly, remove the fuel pump from the engine. Then remove the relief valve plug, spring and pin and check the movement of the valve within the valve bore. If the valve sticks, recondition it by using fine emery cloth to remove any scuff marks. Otherwise, replace the valve. Clean the valve bore and the valve components. Then lubricate the valve and check it for free movement throughout the entire length of its travel. Reassemble the valve in the pump.

After the relief valve has been checked and the fuel pump reinstalled on the engine, start the engine and check the fuel flow at some point between the restricted fitting in the fuel return manifold at the cylinder head and the fuel tank.

Checking Fuel Flow

1. Disconnect the fuel return line from the fitting at the fuel tank and hold the open end in a convenient receptacle (Fig. 7).
2. For non-turbocharged engines, start and run the engine at 1200 rpm and measure the fuel flow for a period of one minute. A flow of approximately 0.8 gallon of fuel per minute is specified for 6 and 8V engines (with a fuel line restriction fitting having an .080 " spill orifice) or 1.2 gallons per minute for 16V engines (with restriction fittings having a .070 " spill orifice).

For turbocharged engines (with a restriction fitting having a .070 " spill orifice), start and run the engine at 1800 rpm and measure the fuel flow for a period of one minute. A flow of 1.4 gallons per minute is specified.

3. Immerse the end of the fuel line in the fuel in the container. Air bubbles rising to the surface of the fuel will indicate air being drawn into the fuel system on the suction side of the pump. If air is present, tighten all fuel line connections between the fuel tank and the fuel pump.

4. If the fuel flow is insufficient for satisfactory engine performance, then:

- a. Replace the element in the fuel strainer. Then



Fig. 7 - Measuring Fuel Flow From Fuel Return Manifold

start the engine and run it at 1200 rpm to check the fuel flow. If the flow is still unsatisfactory, perform step "b" below:

- b. **Replace the element in the fuel filter.** If the flow is still unsatisfactory, do as instructed in step "c".
- c. **Substitute another fuel pump that is known to be in good condition and again check the fuel flow.** When changing a fuel pump, clean all of the fuel lines with compressed air and be sure all fuel line connections are tight. Check the fuel lines for restrictions due to bends or other damage.

If the engine still does not perform satisfactorily, one or more fuel injectors may be at fault and may be checked as follows:

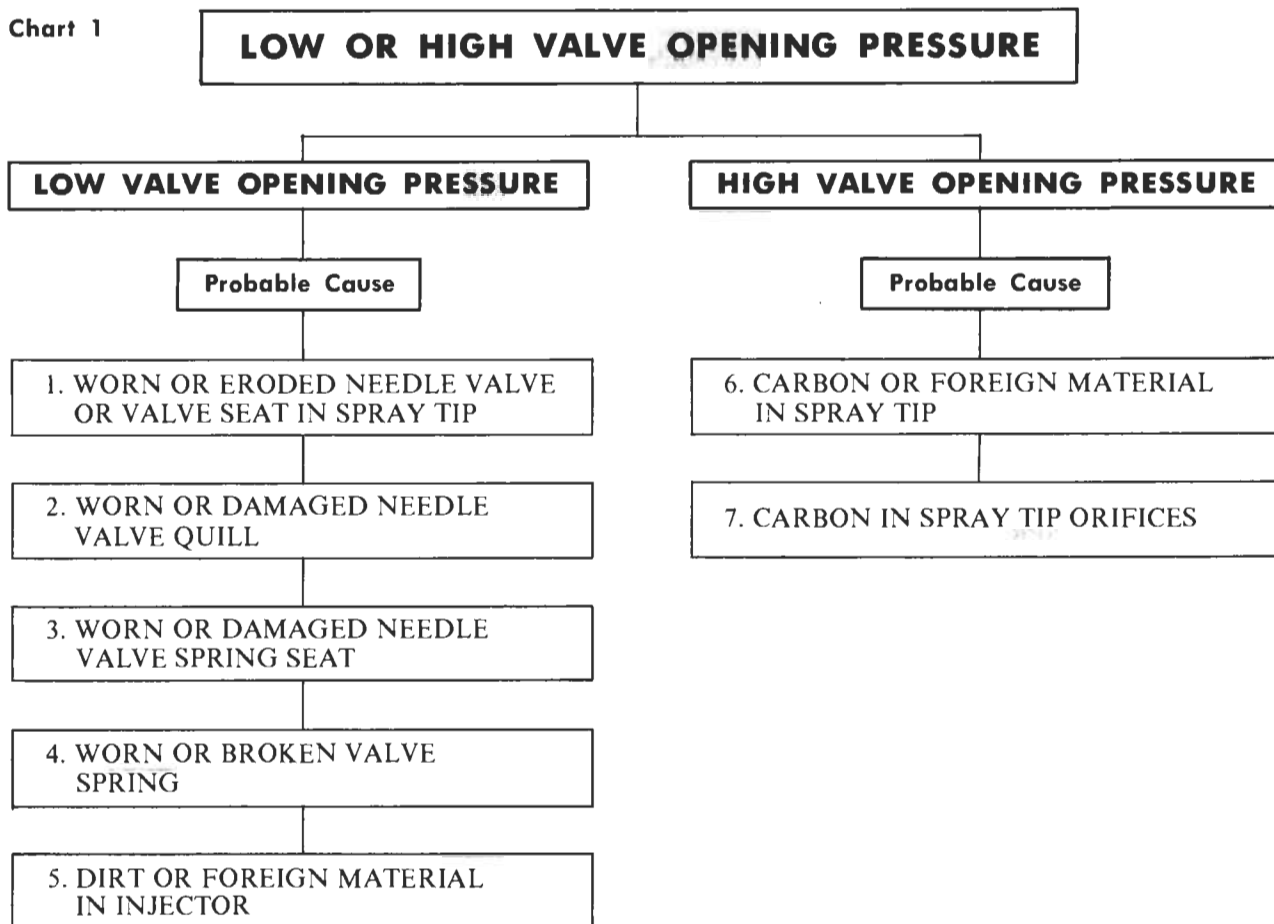
1. Run the engine at idle speed and cut out each injector, in turn, by holding the injector follower down with a screw driver. If a cylinder has been misfiring, there will be no noticeable difference in the sound and operation of the engine when that particular injector has been cut out.

2. Stop the engine and remove the fuel pipe between the fuel return manifold and the injector.

3. Hold a finger over the injector fuel outlet and crank the engine with the starter. A gush of fuel while turning the engine indicates an ample fuel supply; otherwise, the injector filters are clogged and the injector must be removed for service.

TROUBLE SHOOTING CHARTS

Chart 1

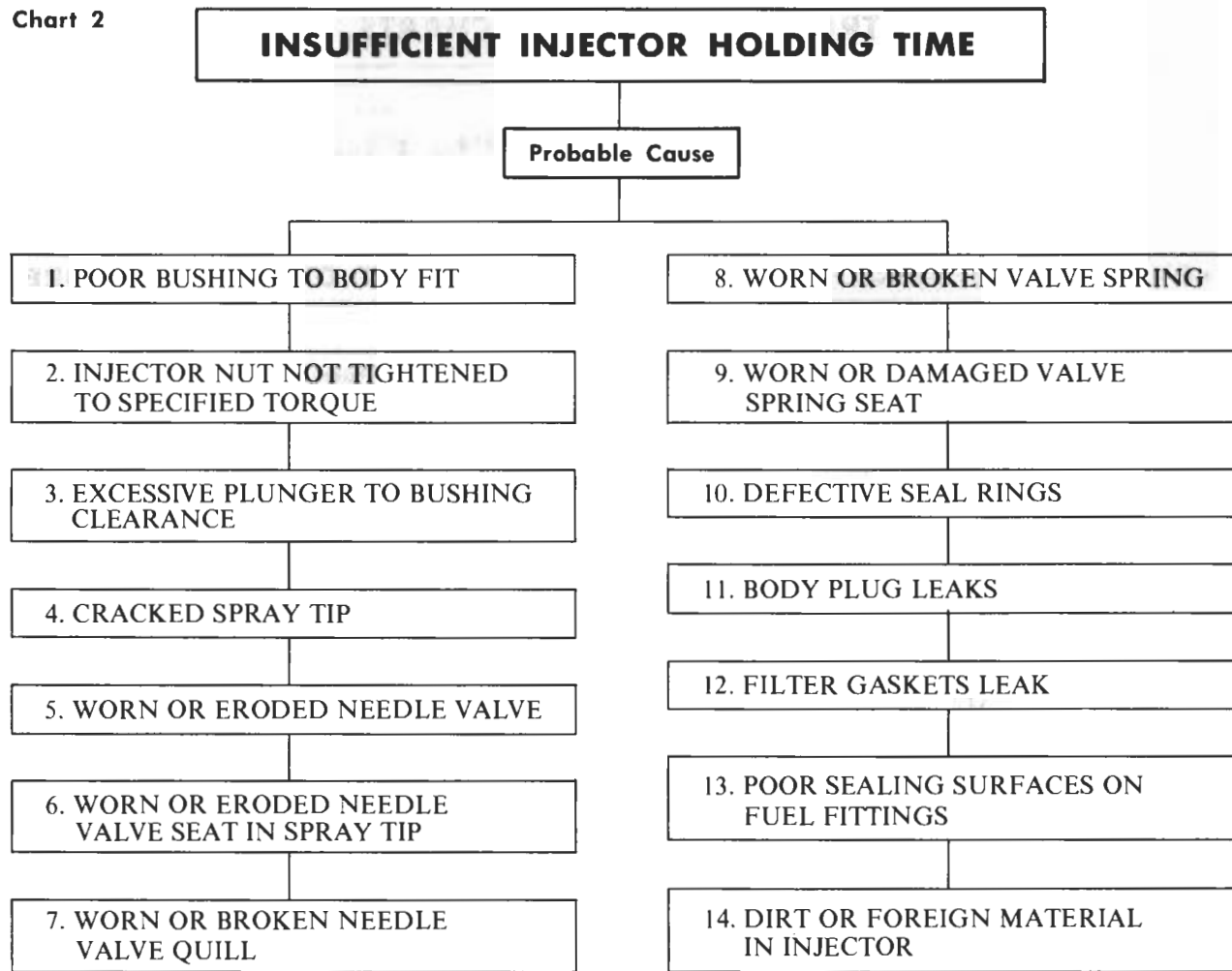


SUGGESTED REMEDY

- 1. Replace the needle valve and tip assembly.
- 2. Replace the needle valve and tip assembly.
- 3. Replace the spring seat.
- 4. Replace the valve spring.
- 5. Disassemble the injector and clean the parts.

- 6. Remove the carbon in the spray tip with tip reamer J 9464-01 which is especially designed and ground for this purpose.
- 7. Check the size of the spray tip orifices. Then, using tool J 4298-1 with the proper size wire, clean the orifices.

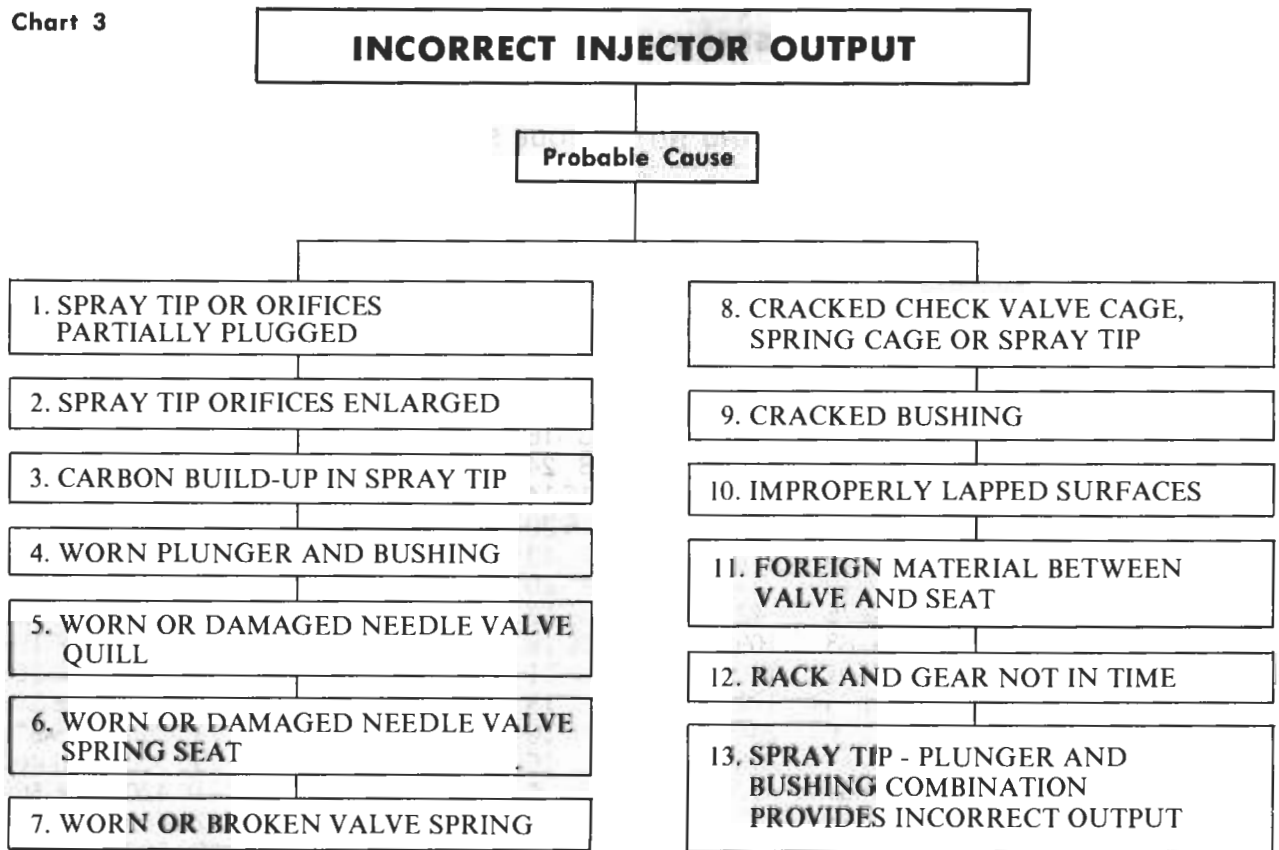
Chart 2



SUGGESTED REMEDY

- | | |
|---|--|
| <p>1. Lap the injector body.</p> <p>2. Tighten the nut to 75-85 lb-ft (102-115 Nm) torque. Do not exceed the specified torque.</p> <p>3. Replace the plunger and bushing.</p> <p>4, 5, 6 and 7. Replace the needle valve and spray tip assembly.</p> <p>8. Replace the valve spring.</p> <p>9. Replace the valve spring seat.</p> | <p>10. Replace the seal rings.</p> <p>11. Install new body plugs.</p> <p>12. Replace the filter cap gaskets and tighten the filter caps to 65-75 lb-ft (88-102 Nm) torque.</p> <p>13. Clean up the sealing surfaces or replace the filter caps, if necessary. Replace the filter if a cap is replaced.</p> <p>14. Disassemble the injector and clean all of the parts.</p> |
|---|--|

Chart 3



SUGGESTED REMEDY

1. Clean the **spray tip** as outlined under *Clean Injector Parts*.
2. Replace the needle valve and spray tip assembly.
3. Clean the spray tip with tool J 1243.
4. After the possibility of an incorrect or faulty spray tip has been eliminated and the injector output still does not fall within its specific limits, replace the plunger and bushing with a new assembly.

NOTE: The fuel output of an injector varies with the use of different spray tips of the same size due to manufacturing tolerances in drilling the tips. If the fuel output does not fall within the specified limits of the *Fuel Output Check Chart*, try changing the spray tip. However, use only a tip specified for the injector being tested.


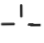



5. Replace the needle valve and spray tip assembly.
6. Replace the spring seat.
7. Replace the valve spring.
8. Replace the cracked parts.
9. Replace the plunger and bushing assembly.
10. Lap the sealing surfaces.
11. Disassemble the injector and clean the parts.
12. Assemble the gear with the drill spot mark on the tooth engaged between the two marked teeth of the rack.
13. Replace the spray tip and the plunger and bushing assembly to provide the correct output.

SPECIFICATIONS

STANDARD BOLT AND NUT TORQUE SPECIFICATIONS

THREAD SIZE	260M BOLTS TORQUE		THREAD SIZE	280M OR BETTER TORQUE	
	(lb-ft)	Nm		(lb-ft)	Nm
1/4 -20	5-7	7-9	1/4 -20	7-9	10-12
1/4 -28	6-8	8-11	1/4 -28	8-10	11-14
5/16-18	10-13	14-18	5/16-18	13-17	18-23
5/16-24	11-14	15-19	5/16-24	15-19	20-26
3/8 -16	23-26	31-35	3/8 -16	30-35	41-47
3/8 -24	26-29	35-40	3/8 -24	35-39	47-53
7/16-14	35-38	47-51	7/16-14	46-50	62-68
7/16-20	43-46	58-62	7/16-20	57-61	77-83
1/2 -13	53-56	72-76	1/2 -13	71-75	96-102
1/2 -20	62-70	84-95	1/2 -20	83-93	113-126
9/16-12	68-75	92-102	9/16-12	90-100	122-136
9/16-18	80-88	109-119	9/16-18	107-117	146-159
5/8 -11	103-110	140-149	5/8 -11	137-147	186-200
5/8 -18	126-134	171-181	5/8 -18	168-178	228-242
3/4 -10	180-188	244-254	3/4 -10	240-250	325-339
3/4 -16	218-225	295-305	3/4 -16	290-300	393-407
7/8 -9	308-315	417-427	7/8 -9	410-420	556-569
7/8 -14	356-364	483-494	7/8 -14	475-485	644-657
1 -8	435-443	590-600	1 -8	580-590	786-800
1 -14	514-521	697-705	1 -14	685-695	928-942

Grade identification markings are normally stamped on the heads of the bolts. To aid identification of the various bolts used in Detroit Diesel engines, refer to the following chart.

Grade Identification Marking on Bolt Head	GM Number	SAE Grade Designation	Nominal Size Diameter (inch)	Tensile Strength Min. (psi)
None	GM 255-M	1	No. 6 thru 1 1/2	60,000
None	GM 260-M	2	No. 6 thru 3/4 over 3/4 to 1 1/2	74,000 60,000
 Bolts and Screws	GM 280-M	5	No. 6 thru 1 over 1 to 1 1/2	120,000 105,000
 Hex Head Sems Only	GM 275-M	5.1	No. 6 thru 3/8	120,000
 Bolts and Screws	GM 290-M	7	1/4 thru 1 1/2	133,000
 Bolts and Screws	GM 300-M	8	1/4 thru 1 1/2	150,000
 Bolts and Screws	GM 455-M	None	No. 6 thru 1 1/2	55,000

12252

BOLT IDENTIFICATION CHART

EXCEPTIONS TO STANDARD BOLT AND NUT TORQUE SPECIFICATIONS

APPLICATION	THREAD SIZE	TORQUE (lb-ft)	TORQUE (Nm)
Control Tube Bracket Bolts	1/4 -20	10-12	14-16
Variable Speed Spring Lever Set Screw	5/16-24	12-15	16-20
Governor Weight Shaft Bearing Retaining Bolt	5/16-24	15-19	20-26
Injector Clamp Bolt	3/8 -16	20-25	27-34
Air Inlet Housing Adaptor-to-Blower Housing Bolt	3/8 -16	16-20	22-27
Air Inlet Housing-to-Adaptor Bolts	3/8 -16	16-20	22-27
Fuel Pipe Nut	3/8 -24	12-15	16-20
Blower End Plate-to-Cylinder Block Bolts	7/16-14	40-45	54-61
*Rocker Arm Bracket Bolts	1/2 -13	90-100	122-136
Injector Filter Caps	5/8 -24	65-75	88-102
Injector Nut	15/16-24	75-85	102-115

*75-85 lb-ft (102-115 Nm) torque on the two bolts attaching a load limit or power control screw bracket (if used) to the rocker arm shaft brackets.

SERVICE TOOLS

TOOL NAME	TOOL NO.
INJECTOR TOOLS	
Buffing Wheel (brass wire)	J 7944
Fuel Pipe Socket	J 8932-01
Injector Auxiliary Tester	J 22640
Injector Body Reamer	J 21089
Injector Bushing Inspectalite	J 21471
Injector Calibrator	J 22410
Injector Carbon Remover Set	J 9418
Injector Holding Fixture	J 22396
Injector Service Tool Set	J 23435-02
Body Brush	J 8152
Nut Socket Wrench	J 4983-01
Nut Tip Seat Reamer	J 4986-01
Rack Hole Brush	J 8150
Spray Hole Cleaner Vise	J 4298-1
Spray Tip Driver and Bushing Cleaner	J 1291-02
Tip Cleaner	J 24838
Wire Sharpening Stone	J 8170
Injector Tag Remover and Installer	J 24767
†Injector Test Oil	J 26400
Injector Tip Cleaner Set	J 9464-01
Injector Tip Concentricity Gage	J 5119
Injector Tester	J 9787
Lapping Block Set	J 22090
Lapping Compound	J 23038

†Available in 5, 15, 30 and 55 gallons.

TOOL NAME	TOOL NO.
Methyl Ethyl Ketone Solvent (one gallon)	J 8257-01
Polishing Stick Set	J 22964
Spray Tip Cleaning Wire (.007 " dia. holes)	J 21462-01
Spray Tip Flow Gage	J 25600
Spray Tip Gage	J 9462-02
Spring Tester	J 22738-02
INJECTOR TUBE TOOLS	
Cylinder Head Holding Plate Set	J 3087-01
Cylinder Liner Depth Gage	J 22273
Injector Protrusion Gage	J 25521
Injector Tube Service Tool Set	J 22525
FUEL PUMP TOOLS	
Fuel Pump Tool Set	J 1508-03
Fuel Pump Wrench	J 4242
Fuel System Primer	J 5956
MECHANICAL GOVERNOR TOOLS	
Control Link Operating Lever Bearing Remover and Installer	J 8985
Governor Cover Bearing Installer	J 21068
Governor Cover Bearing Remover and Installer	J 21967-01
High Speed Spring Retainer and Installer	J 5345-5
Variable Speed Governor Spring Housing Bearing Installer Set	J 9196

SECTION 3

AIR INTAKE SYSTEM

CONTENTS

Air Intake System	3
Air Cleaner	3.1
Air Silencer.....	3.2
Air Shutdown Housing.....	3.3
Blower	3.4
Turbocharger	3.5
Turbocharger Intercooler.....	3.5.2
Turbocharger Aftercooler	3.5.3
Shop Notes - Trouble Shooting - Specifications - Service Tools.....	3.0

AIR INTAKE SYSTEM

In the scavenging process employed in the V-92 engines, a charge of air is forced into the cylinders by the blower and thoroughly sweeps out all of the burned gases through the exhaust valve ports. This air also helps to cool the internal engine parts, particularly the exhaust valves. At the beginning of the compression stroke, therefore, each cylinder is filled with fresh, clean air which provides for efficient combustion.

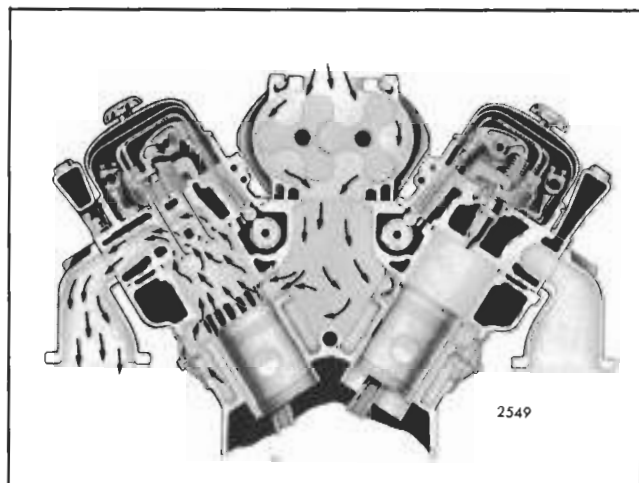


Fig. 1 - Air Flow Through Blower and Engine

The air, entering the blower from the air cleaner, is picked up by the blower rotor lobes and carried to the discharge side of the blower as indicated by the arrows in Fig. 1. The continuous discharge of fresh air from the blower enters the air chamber of the cylinder block and sweeps through the intake ports of the cylinder liners.

The angle of the ports in the cylinder liners creates a uniform swirling motion to the intake air as it enters the cylinders. This motion persists throughout the compression stroke and facilitates scavenging and combustion.



AIR CLEANER

(Oil Bath Type)

The oil bath type air cleaners used on the V-92 engines are designed to remove foreign matter from the air, pass the required volume of air for proper combustion and scavenging, and maintain their efficiency for a reasonable period of time before requiring service.

The importance of keeping dust and grit-laden air out of an engine cannot be over-emphasized since clean air is so essential to satisfactory engine operation and long engine life. The air cleaner must be able to remove fine materials such as dust and blown sand as well as coarse materials such as chaff, sawdust or lint from the air. It must also have a reservoir capacity large enough to retain the material separated from the air to permit operation for a reasonable period before cleaning and servicing are required.

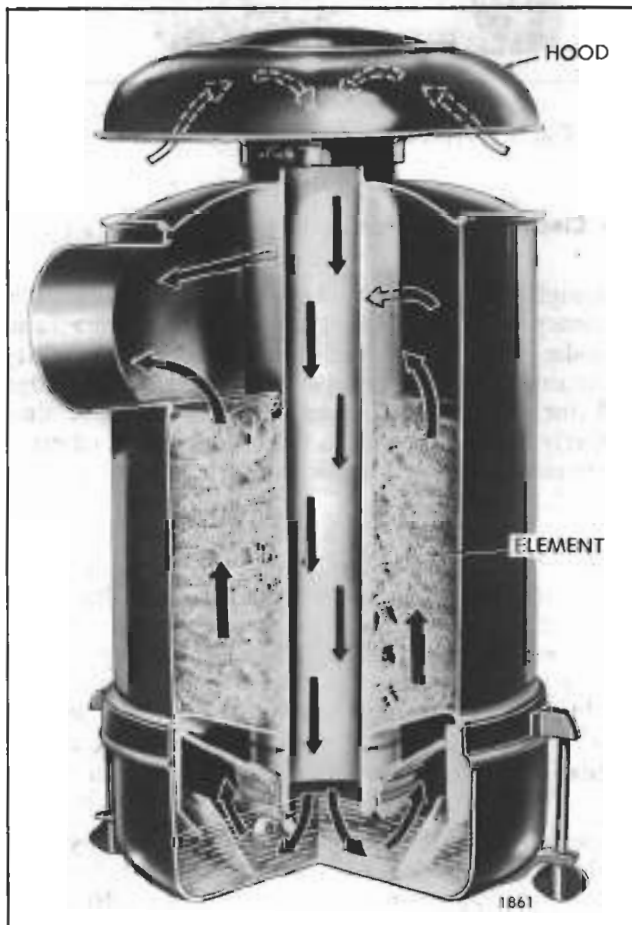


Fig. 1 - Typical Oil Bath Air Cleaner (Industrial Engines)

Dust and dirt entering an engine will cause rapid wear of piston rings, cylinder liners, pistons and the exhaust valve mechanism with a resultant loss of power and high lubricating oil consumption. Also, dust and dirt which is allowed to build-up in the air cleaner passages will eventually restrict the air supply to the engine and result in heavy carbon deposits on pistons and valves due to incomplete combustion.

Oil Bath Type Air Cleaner (Industrial Engines)

In the oil bath air cleaners used on industrial units (Fig. 1), the air is drawn through the air inlet hood and down through the center tube. At the bottom of the tube, the direction of air flow is reversed and oil is picked up from the oil reservoir cup. The oil laden air is carried up into the separator screen where the oil which contains the dirt particles is separated from the air by collecting on the separator screen.

A low pressure area (Fig. 2) is created toward the center of the air cleaner as the air passes a cylindrical opening formed by the outer perimeter of the central tube and the inner diameter of the separator screen. This low pressure is caused by the difference in air current velocity across the opening. The low pressure area, plus the effect of gravity and the inverted cone shape of the separator screen, causes the oil and dirt mixture to drain to the center of the cleaner cup. This oil is again picked up by the incoming air causing a looping cycle of the oil; however, as the oil is carried toward another cycle, some of the oil will overflow the

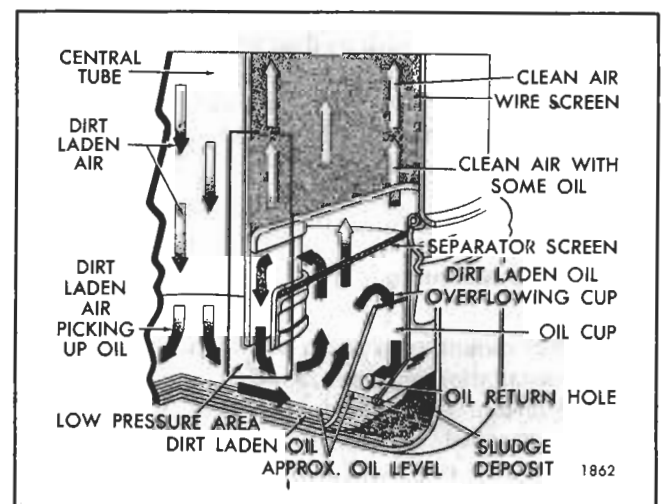


Fig. 2 - Air Flow Through Oil Bath Air Cleaner

edge of the cup carrying the dirt with it. The dirt will be deposited in the outer area surrounding the cup. Oil will then flow back into the cup through a small hole located in the side of the cup. Above the separator screen, the cleaner is filled with a wire screen element which will remove any oil which passes through the separator screen. This oil will also drain to the center and back into the oil cup. The clean air then leaves the cleaner through a tube at the side and enters the blower through the air inlet housing.

An air inlet hood must be used with the air cleaner. The inlet hood normally requires cleaning more frequently than the main air cleaner. The air inlet hood serves only to prevent rain, rags, paper, leaves, etc., from entering the air cleaner. Air enters the hood through a heavy screen which forms the lower portion of the hood, and the air flow is reversed in the hood and pulled downward into the air cleaner. The hood is mounted on the air cleaner inlet tube and is held in place by a clamp. The openings in the hood should be kept clear to prevent excessive restriction to air flow.

Oil Bath Type Air Cleaner (Marine Engines)

In the oil bath air cleaners used on marine units (Fig. 3), the air is drawn into the cleaner through a series of slots around the perimeter of the cleaner body just above the oil cup assembly. The air passes over the oil and is then directed upwards by baffles and then passes through a removable screen assembly. During this change in the direction of flow, the larger particles of foreign matter such as lint, chaff, leaves, etc., are removed from the air by the oil and the screen assembly and settles in the oil cup sump. The air continues upward through metal-wool elements where finer particles such as dust and the entrained oil are removed. The clean air is then discharged through a side outlet near the top of the cleaner body and flows through the air inlet housing to the intake side of the blower assembly.

Air Cleaner Mounting

Air cleaner mountings vary in accordance with the air cleaner installation and the engine units on which they are employed. The air cleaners are mounted on brackets attached to the flywheel housing and the cleaner outlet is connected to the air inlet housing by means of a hose and clamp. A "Y" shaped air inlet housing is used on installations with two air cleaners which are mounted side by side at the rear of the unit (Fig. 4).

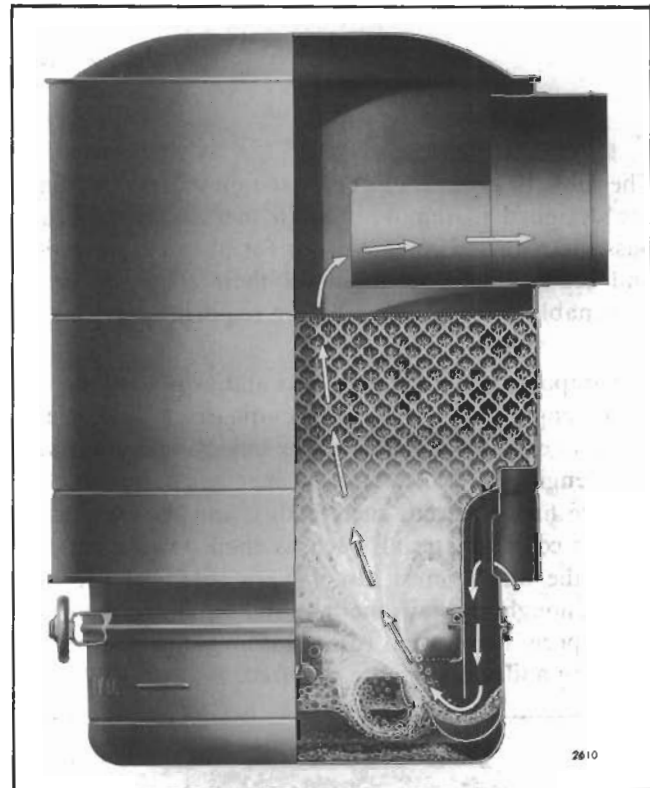


Fig. 3 - Typical Oil Bath Air Cleaner (Marine Engines)

Air Cleaner Maintenance

Although air cleaners are highly efficient, this efficiency depends upon proper maintenance and periodic servicing. If the cleaners are not properly maintained, the oil sump will become filled with sludge and the screens or elements will not remove dust properly. This will result in dust and dirty oil entering the engine and also increase the restriction to air flow through the cleaner.

Should dust in the air supply enter the engine, it would be carried directly into the cylinders and, due to its abrasive properties, cause premature wear of moving parts, which would materially shorten engine life. Should the air flow through the cleaner be restricted, it would eventually be impossible for the engine to burn all of the fuel injected into its cylinders and carbon formation would progress at a greatly increased rate.

The efficiency of the air cleaner may be offset by leaks in the duct work, loose hose connections or damaged gaskets which permit dust-laden air to completely bypass the cleaner and enter the engine directly.

The following maintenance procedure will assure efficient air cleaner operation:

1. Keep air cleaner tight on air intake to engine.
2. Keep air cleaner properly assembled so joints are strictly oil and air tight.
3. In case of damage to the air cleaner, intake or connections, repair at once.
4. In dusty areas, inspect the air cleaner frequently for dirt deposits in the oil bath or thickened oil.

Thoroughly clean the oil bath cleaner often enough to prevent oil from becoming excessively thick with sludge, and be sure to use the proper kind and quantity of oil. Keep the oil at the level mark in the cup. When replacing the cup, be sure it fits snugly to form a tight joint.

5. Where rubber hose from cleaner to blower is employed, remove hose connections and cement them in place. Use new hose and clamps, if necessary, to obtain an air-tight connection.

6. After servicing the air cleaner, remove air inlet housing and clean accumulated dirt deposits from blower screen and air inlet housing. Make sure all air intake passages and air box are kept clean.

7. Make careful periodic inspection of entire air system. Enough dust-laden air will pass through an almost invisible crack to eventually cause serious damage to an engine.

No hard fast rule for servicing any air cleaner can be given since it depends upon the type of cleaner, air conditions and type of application. A cleaner

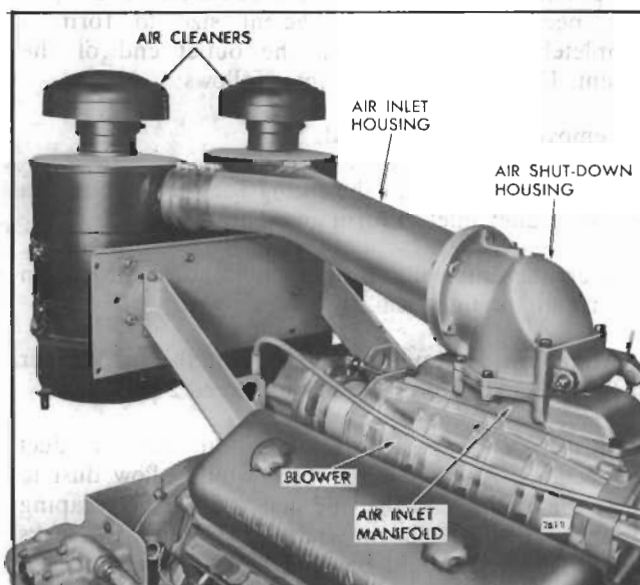


Fig. 4 - Typical Oil Bath Air Cleaner Mounting

operating in severe dust conditions will require more frequent service than a cleaner operating in clean air. The most satisfactory service period should be determined by frequently inspecting the cleaners, under normal operation, then setting the service period to best suit the requirements of the application.

In air cleaners having an oil bath, use the same viscosity oil as that being used in the engine crankcase. The oil level should not be above that indicated on the air cleaner sump. If too much oil is used, it may be pulled through the element and into the engine, thus carrying dirt into the cylinders and also resulting in excessive speed.

Air Cleaner Service

The air inlet hoods used on industrial engine air cleaners are not intended to do any cleaning. However, some dirt will collect on the heavy screens and in the hood itself. Therefore, it will be necessary to remove the hood occasionally for cleaning.

The oil sump should be checked for dirt accumulation. Loosen the wing nuts and pull the side rod assemblies away from their forked retaining brackets to remove the oil cup(s). Empty the oil from the cup(s) and clean with fuel oil to remove all sediment.

A tray type screen is used on the industrial engine air cleaners. A lip on the tray fits over the edge of the oil cup of the cleaner. One rubber seal ring fits over the lower edge of the cleaner body to form an air tight seal between the cleaner body and tray. Another seal ring fits around the tray and forms an air and oil seal between the tray and the oil cup.

The efficiency of the tray type oil bath air cleaner will be greatly reduced unless the fibrous material caught in the tray is removed. It is extremely important that the tray be cleaned regularly and properly.

If a tray is plugged with lint or dirt (Fig. 5) wash the tray in a solvent and blow out with compressed air. An even pattern of light should be visible through the screens when a clean tray is held up to the light (Fig. 5). It may be necessary, as a last resort, to burn off the lint. Extreme care must be taken not to melt the galvanized coating in the tray screens. Some trays have equally spaced holes in the retaining baffle. Check to make sure that they are clean and open.

Check for dirt accumulation in the air cleaner center tube. Remove dirt by passing a lintless cloth through the center tube. Some tubes have a restricted portion at the lower end and care must be exercised not to damage this end.

At some regular period of engine service, remove the

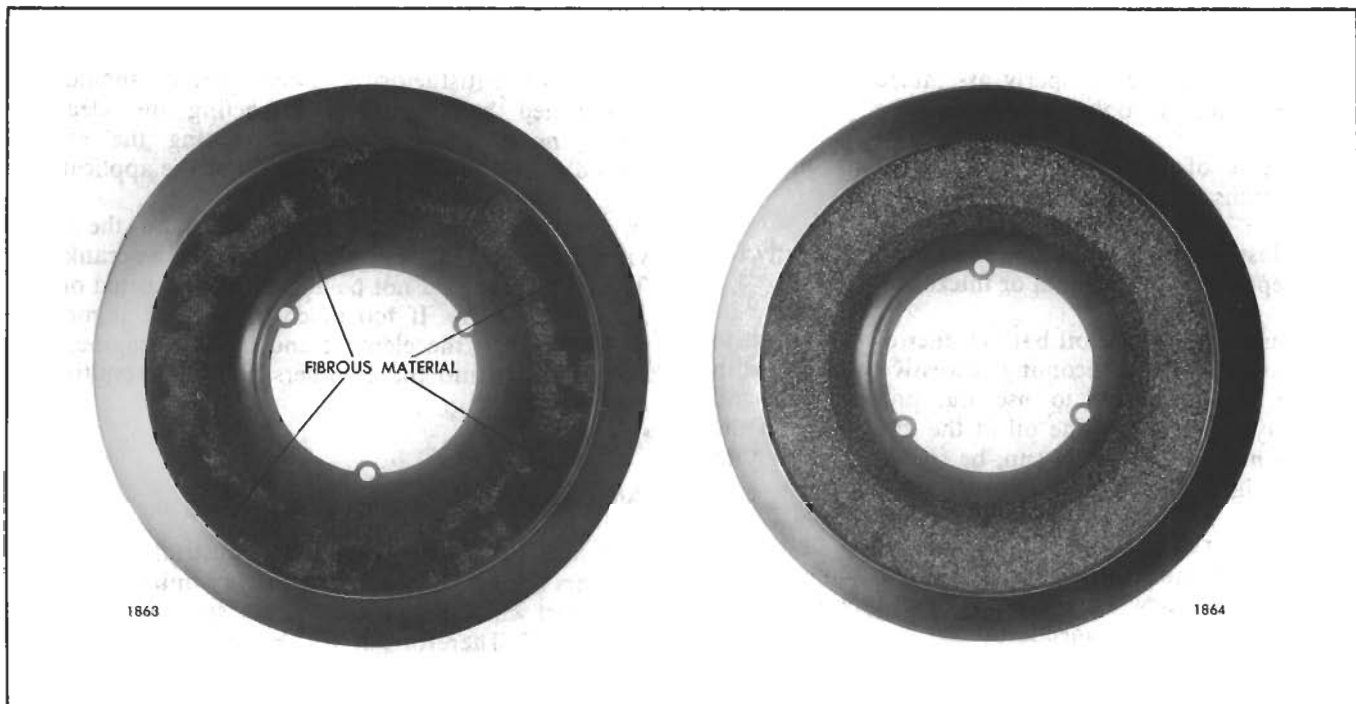


Fig. 5 - Comparison of Air Cleaner Trays

entire air cleaner from the engine and clean the fixed element. This can be done by passing a large quantity of clean solvent through the air outlet and down into the fixed element. When clean, allow the element to dry thoroughly before installing the cleaner on the engine. If the fixed elements require too frequent cleaning, it is advisable to relocate the air intake to provide a cleaner air supply.

The air cleaner used on marine engines is serviced in a similar manner. However, a replaceable screen element is used in place of the tray type screen. The element is attached to the cleaner body by means of a wing nut. The cleaner does not have a center air passage.

When all of the components have been cleaned, the cleaner is ready for assembly. The removable screen or tray should be installed. Replace the rubber seal rings if necessary. The oil cup(s) should be filled with clean engine oil of the same viscosity and grade as used in the engine crankcase. Fill the cup(s) to the indicated oil level and install on the cleaner. Care should be exercised that all gaskets and joints are tight. All connections from the cleaner to the engine should be checked for air leaks to prevent any air by-passing the air cleaners.

If it is found that unfiltered air is being admitted into the engine through the duct work of an air cleaner installation, the following procedure may be used for

finding air leaks in an air duct system. The air cleaning system does not have to be dismantled, thus effecting a saving in time.

To make this check, it is necessary that suitable plugs be provided to block the air cleaner system inlet and outlet. The air cleaner inlet plug should contain a suitable air connection and shut-off valve to maintain two pounds pressure in the air duct system. The outlet plug need only be of sufficient size to form a completely air-tight seal at the outlet end of the system. Then check the system as follows:

1. Remove the air inlet hood.
2. Insert the plug (with the fitting for the air hose) in the air cleaner inlet to form an air-tight seal.
3. Insert the other plug in the outlet end of the system to form an air-tight seal.
4. Attach an air hose to the plug in the air cleaner inlet and regulate pressure not to exceed 2 psi.
5. Brush a soap-suds solution on all air duct connections. Any opening which would allow dust to enter the engine can then be detected by the escaping air causing bubbles in the soap-suds solution. All leaks thus discovered should be remedied to ensure an air-tight system.
6. Remove the plugs and install the air inlet hood.

TWO-STAGE DRY TYPE AIR CLEANER

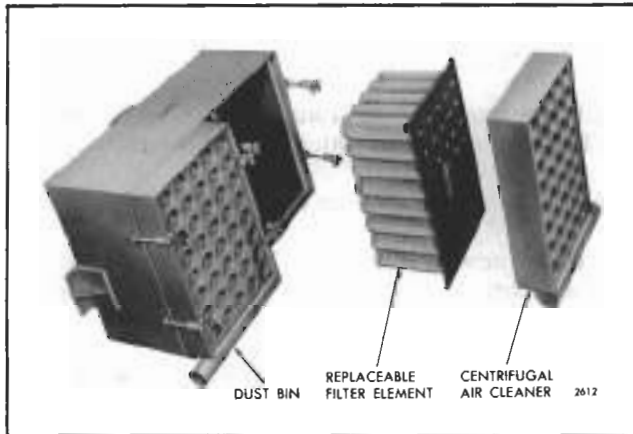


Fig. 6 - Dry Type Air Cleaner

The dry type air cleaner (Fig. 6) is designed to provide highly efficient air filtration under all operating conditions and is not affected by engine speed. The cleaner assembly consists of a centrifugal air cleaner in series with a replaceable impregnated paper filter element. The dust collected in the centrifugal cleaner is exhausted by connecting the dust bin to an exhaust gas aspirator. The centrifugal cleaner and replaceable filter element are held together in a steel housing. Positive sealing between the two elements and the housing is provided by rubber gaskets. The steel housing incorporates filter fasteners, mounting flanges and an outlet for the filtered air.

Operation

The deflector vanes impart a swirling motion to the air entering the air cleaner and centrifuge the dust

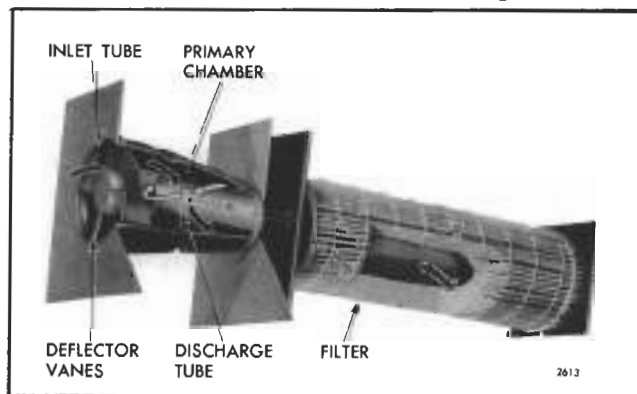


Fig. 7 - Flow of Air Through Dry Type Air Cleaner

particles against the walls of the tubes. The dust particles are then carried to the dust bin at the bottom of the cleaner by approximately 10% bleed-off air and are finally discharged into the atmosphere through an exhaust gas aspirator (Fig. 7).

The exhaust gas aspirator is connected into the exhaust system of the engine (Fig. 8). A flexible hose carries the dust particles from the cleaner dust bin to the aspirator where the waste energy of the exhaust gases draws the dust-laden bleed-off air out and discharges it into the atmosphere along with the engine exhaust gases. Approximately 90% of the total dust load is disposed of in this manner. The centrifugal air cleaner is fully effective at either high or low velocities.

The remainder of the air in the cleaner reverses direction and spirals back along the discharge tubes again centrifuging the air. The filtered air then reverses direction again and enters the replaceable filter element through the center portion of the discharge tubes. The air is filtered once more as it passes through the pleats of the impregnated paper element before leaving the outlet port of the cleaner housing.

An air cleaner restriction indicator (Fig. 8) may be attached near the outlet side of the cleaner. As the restriction in the cleaner increases, suction created will pull the indicator plunger upward. A brightly colored card, attached to the plunger and visible through a small window in the indicator, will indicate the relative amount of air restriction in the cleaner. When the card is fully visible, the air cleaner should be cleaned and the indicator reset by pushing the plunger all the way up and then releasing it.

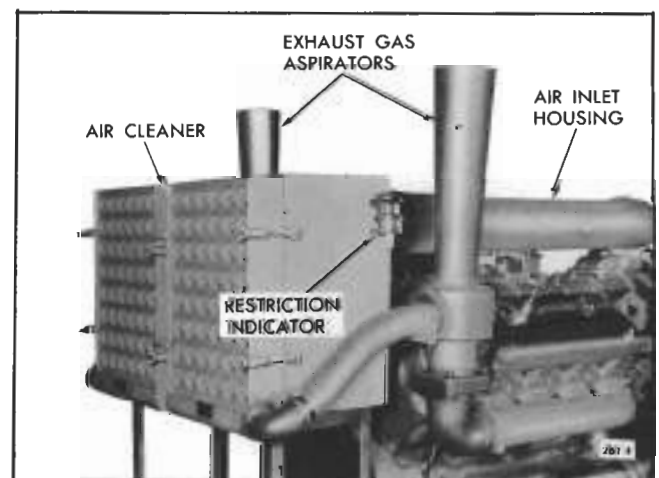


Fig. 8 - Typical Dry Type Air Cleaner Mounting

The air cleaner restriction indicator is equipped with a safety fitting. The fitting incorporates an internal filter in one end and does not require any service. When replacing the safety fitting thread the open end of the fitting in the indicator and the screen end in the air cleaner.

Service

The first stage centrifugal air cleaner tends to be self-cleaning due to the action of the exhaust gas aspirator. However, it should be inspected and any accumulated foreign material removed during the periodic replacement of the impregnated paper filter element. Overloading of the paper element will not cause dirt particles to by-pass the filter and enter the engine, but will result in starving the engine for air.

The filter element may be replaced as follows:

1. Disconnect the flexible aspirator hose at the dust bin of the air cleaner.
2. Loosen the wing nuts on the filter fasteners and swing the retaining bolts away from the cleaner.
3. Lift the cleaner away from the housing and inspect it. Clean out any accumulated foreign material.
4. Withdraw the paper filter element and discard it.
5. Install a new filter element. New sealing gaskets are provided with the element to insure positive air seal at all times.
6. Install the cleaner and secure it in place with the fasteners.
7. Connect the aspirator hose to the dust bin making sure the connection is air tight.



AIR SILENCER (Turbocharger)

The air silencer (Fig. 1) is attached at the air outlet end to the turbocharger with a hose and clamps and is supported by a bracket attached to the flywheel housing. An air filter element of polyurethane foam is used on the air silencer inlet screen.

Remove Air Silencer

While no servicing is required on the air silencer, it will be necessary to remove it to perform other service operations.

1. Remove the air filter element.
2. Loosen the clamps and slide the hose back on the turbocharger.
3. Loosen the nut and bolt securing the silencer mounting band to the support bracket. Remove the silencer.
4. If necessary, remove the mounting band from the support bracket and the bracket from the flywheel housing.

Install Air Silencer

1. If removed, attach the support bracket to the flywheel housing with two 7/16"-14 x 1-1/4" bolts and washers. Tighten the bolts.

2. If removed, attach the silencer band to the support bracket with a 5/16"-18 x 1" bolt, plain washer, lock washer and nut. Do not tighten the nut at this time.

3. Align the silencer with the turbocharger and slide the hose in place and tighten the clamps. Then tighten the band bolt.

4. Slide the air filter element over the silencer air inlet screen.

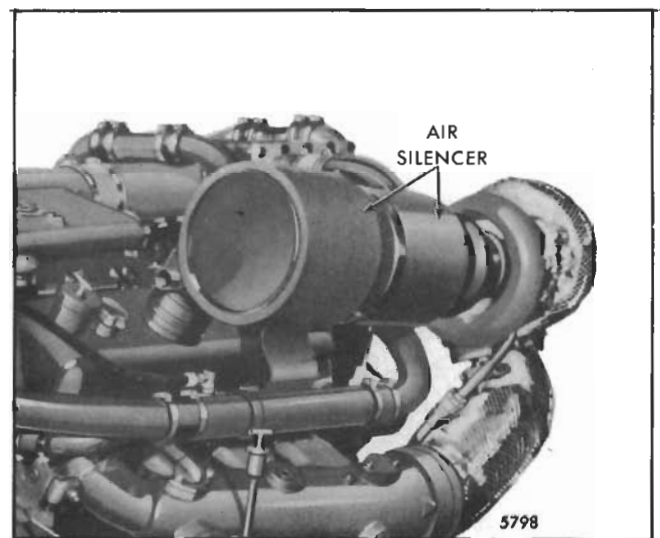


Fig. 1 - Air Silencer Mounted on 6V-92TA Engine

AIR SHUTDOWN HOUSING

The air shutdown housing is mounted on the blower as illustrated in Fig. 1. A valve mounted inside of the housing may be closed to shut off the air supply and stop the engine when abnormal operating conditions require an emergency shut down.

Remove Air Shutdown Housing

1. On naturally aspirated engines, disconnect and remove the air inlet housing between the air cleaner(s) and the air shutdown housing. On turbocharged engines (Fig. 1), loosen the hose clamp and slide the hose between the air shutdown housing and the turbocharger back on the turbocharger.
2. Disconnect the control wire from the air shut-off cam pin handle.
3. Remove the bolts and lock washers which attach the air shutdown housing to the adaptor. Then remove the housing and gasket.
4. Remove the bolts and washers which attach the housing adaptor to the blower. Then remove the adaptor and the blower screen.

Disassemble Air Shutdown Housing

1. Remove the pin from the end of the shutdown shaft. Then remove the spacer from the shaft and the seal ring from the housing.
2. Remove the two pins that secure the shutdown valve to the shaft.

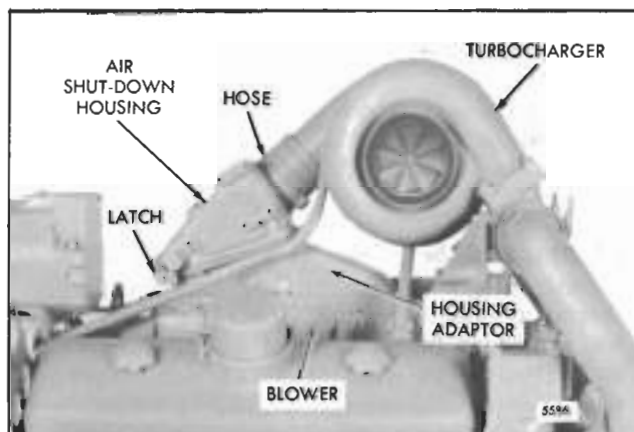


Fig. 1 - Typical Air Shutdown Housing Mounting (Turbocharged Engine)

3. Remove the bolt, lock washer and plain washer which attach the latch to the housing. Then remove the latch, latch spring and spacer.
4. Note the position of the air shutdown valve spring and valve (Fig. 3), then withdraw the shaft from the housing to release the valve and spring. Remove the valve and spring and the seal ring from the housing.
5. Remove the cam pin handle and withdraw the cam from the shaft.

Inspection

Clean all of the parts thoroughly, including the blower screen, with fuel oil and dry them with compressed air.

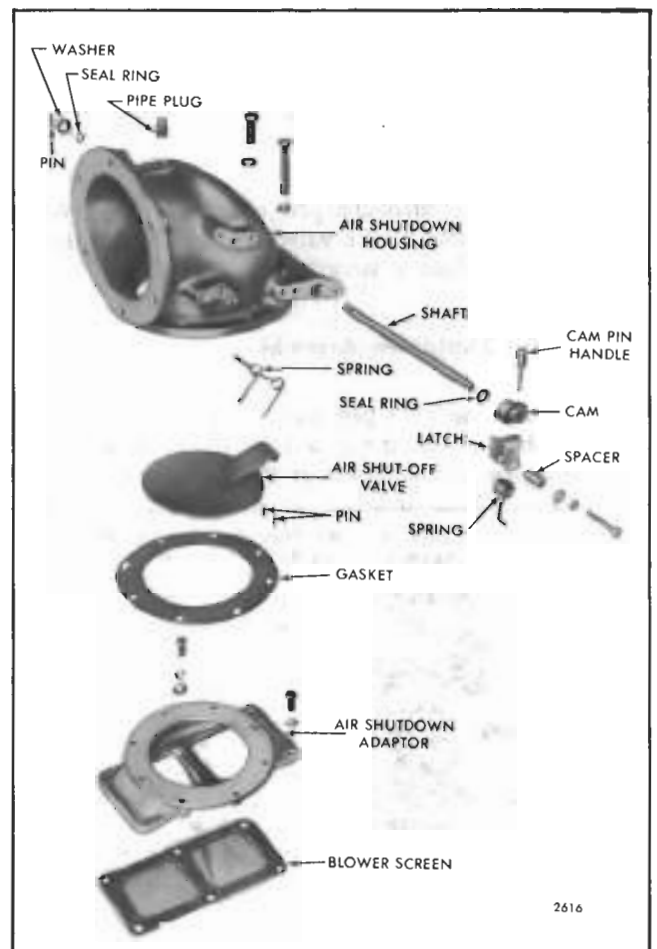


Fig. 2 - Air Shutdown Housing Details and Relative Location of Parts (Non-turbocharged Engines)

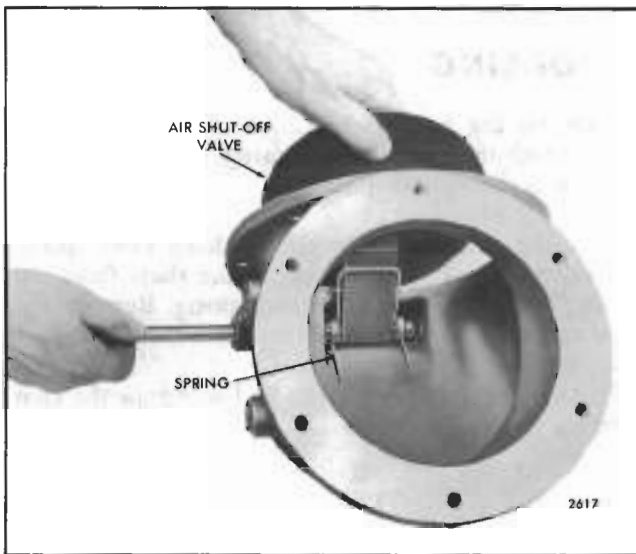


Fig. 3 - Installing Air Shutdown Valve Spring and Valve

Inspect the parts for wear or damage. The face of the shutdown valve must be perfectly flat to assure a tight seal when it is in the shutdown position.

The 8V and 16V turbocharged engines use a nylon bushing at each end of the valve shaft. Examine them for wear and replace, if necessary.

Assemble Air Shutdown Assembly

The holes for the cam pin handle and the retaining pins must be drilled, using a 1/8" diameter drill, at the time a new service shaft or shutdown valve(s) are

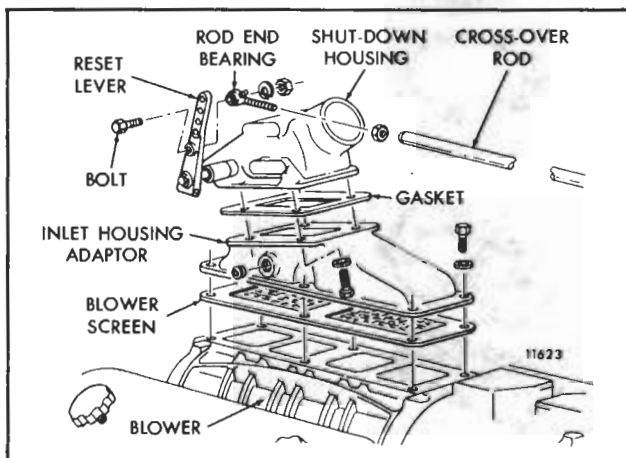


Fig. 4 - Air Shutdown Housing Details and Relative Location of Parts (Rear of Dual Mounting - Turbocharged Engines)

assembled. The valve(s) must be in the same plane within .030" when in the stop position (flush with the housing face). Refer to Figs. 2 and 4 and proceed as follows:

1. Place the valve(s) and spring in position in the housing (Fig. 3) and slip the shaft in place. The shaft must extend .700" from the side of the housing where the shutdown latch is assembled.
2. Lubricate and install a new seal ring at each end of the shaft. Be sure the seal is seated in the counterbore of the housing.
3. Install the cam and cam pin handle on the shaft. Then install the pin which retains the cam to the shaft.
4. Install a washer or spacer and retaining pin at the other end of the shaft.
5. Assemble the spacer, spring and latch to the shutdown housing with the 1/4"-20 bolt, lock washer and plain washer.
 - a. Align the notch on the cam with the notch on the latch and lock the cam in this position.
 - b. Install the pins in the valve(s) to retain it to the shaft with the cam release latch set and the valve(s) in the run position.
 - c. Level the valve(s) in the shutdown position.
 - d. Adjust the cam so the valve(s) contact the housing when the cam release latch is set.

Install Air Shutdown Housing

1. Place the blower screen and gasket assembly, if used, in position and install the shutdown housing adaptor on the blower. Tighten the 3/8"-16 attaching bolts to 16-20 lb-ft (22-27 Nm) torque.

IMPORTANT: The current blower screen gasket consists of wire mesh secured between two sheets of gasket material. The former screen was imbedded in one sheet of gasket material and was installed with the screen side toward the blower.

When a striker plate and gasket are used, install them between the blower screen and gasket assembly and the air shutdown housing.

2. Place a new gasket on the adaptor. Mount the air shutdown housing on the adaptor and secure it with 3/8"-16 bolts and lock washers. Tighten the bolts to 16-20 lb-ft (22-27 Nm) torque.

3. On naturally aspirated engines, install the air ducts from the air cleaner to the air shutdown housing. Use a new gasket at the housing. Be sure all connections are air tight. On turbocharged engines, slide the hose in place between the shutdown housing and the turbocharger and tighten the clamps.

4. When dual air shutdown housings (Fig. 4) have been installed, position the crossover rod between the shutdown housings at the reset lever and the shutdown lever.

NOTE: Before securing the couplings (non-turbocharged engines), close the valves in both

of the shutdown housings and center the couplings on the housing shafts with the aid of new roll pins. On turbocharged engines, secure the rod end bearings at the levers with 5/16"-24 x 1 1/8" bolts. Tighten the bolts to 15-19 lb-ft (22-27 Nm) torque.

5. Reset the air shutdown latch in the *run* position.

6. Start and run the engine at idle speed and no load. Trip the air shutdown latch. If the engine does not stop, check it for air leakage between the valves and the air inlet housing adaptor. If necessary, reposition the valves.

7. After this test has been satisfactorily performed, drill and pin the couplings (non-turbocharged engines) to the shafts with a roll pin for each coupling, using a 1/8" diameter drill.



BLOWER

The *large bearing* blower, designed especially for efficient diesel operation, supplies the fresh air needed for combustion and scavenging. Its operation is similar to that of a gear-type oil pump. Two hollow three-lobe rotors revolve with very close clearances in a housing bolted to the top deck of the cylinder block, between the two banks of cylinders. To provide continuous and uniform displacement of air, the rotor lobes are made with a helical (spiral) form (Fig. 1).

Currently two basic types of large bearing blowers are now being used. The regular type blower is shown in Fig. 1. This blower has six mounting holes in the top of the blower housing and also has regular end plates. The OTM (optional turbocharger mounting) type blower has additional outboard holes for mounting the turbocharger adaptor (6 and 8V blowers). One of the end plates includes two oil drain holes with seal rings for the turbocharger return oil drain back (refer to *Lubrication*, Section 3.5).

The blower used on naturally aspirated engines has a 2.60:1 ratio blower-to-engine speed. The blower used on turbocharged engines has a 2.05:1 ratio blower-to-engine speed. Certain 6V turbocharged aftercooled engines have a 1.95:1 ratio blower-to-engine speed.

Two timing gears, located on the drive end of the rotor shafts, space the rotor lobes with a close tolerance. Therefore, as the lobes of the two rotors do not touch at any time, no lubrication is required.

Lip type oil seals are installed in the end plates of blowers on the naturally aspirated engines. Metal ring-type oil seals are incorporated in the blower used on V-92 turbocharged engines (inset in Fig. 1). Each ring-type oil seal consists of a carrier pressed on the rotor shaft, a collar pressed into the end plate and a seal ring contained in a groove of the carrier. The outside diameter of the seal ring rides against the collar to prevent leakage of air or oil.

Each rotor is supported in the doweled end plates of the blower housing by a roller bearing at the front end and a double-row radial and thrust ball bearing at the gear end.

The right-hand helix rotor of the blower is driven by the blower drive shaft. The blower drive shaft is splined at one end to a drive hub attached to the blower drive gear and at the other end to a drive hub attached to the right-hand helix blower timing gear. The mating left-hand helix timing gear drives the left-hand helix rotor.

The basic blower parts for the 6 and 8 cylinder

engines are identical and interchangeable with the exception of the housing and rotors which differ in length. Two 8V blowers are mounted on the top deck of the 16-cylinder engines and are driven by the gear trains at each end of the engine.

The blower rotors are timed by the two rotor gears at the rear end of the rotor shafts. This timing must be correct, otherwise the required clearance between the rotor lobes will not be maintained. A change in rotor timing is obtained by the use of shims between the gears and the bearings.

Normal gear wear causes a decrease of rotor-to-rotor clearance between the leading edge of the right-hand helix (drive) rotor and the trailing edge of the left-hand helix (driven) rotor. Clearance between the opposite sides of the rotor lobes is increased correspondingly.

While the rotor lobe clearance may be corrected by adjustment, gear backlash cannot be corrected. When gears have worn to the point where the backlash exceeds .004", replace the gears.

Lubrication

The blower bearings, timing gears, governor drive and fuel pump drive are pressure lubricated by oil passages in the top deck of the cylinder block which lead from the main oil galleries to an oil passage in each blower end plate (Fig. 2).

A cup shaped oil strainer has been incorporated in the vertical oil passage at the bottom side of each blower end plate to remove any foreign material in the lubricating oil (Fig. 2).

The oil flows upward in the end plate and leaves through a small orifice just above the centerline of the end plate. The oil is ejected from this orifice against the timing gears at the rear and the governor weights at the front of the blower and is then carried by splash to the bearings. Oil which collects at the bottom of each end plate overflows into two drain passages which lead back to the crankcase via oil passages in the cylinder block.

NOTE: The OTM (optional turbocharger mounting) type blower does not include an oil orifice in the end plate since the blower bearings are lubricated by the drain oil from the turbocharger.

The blower drive support bearings receive oil under

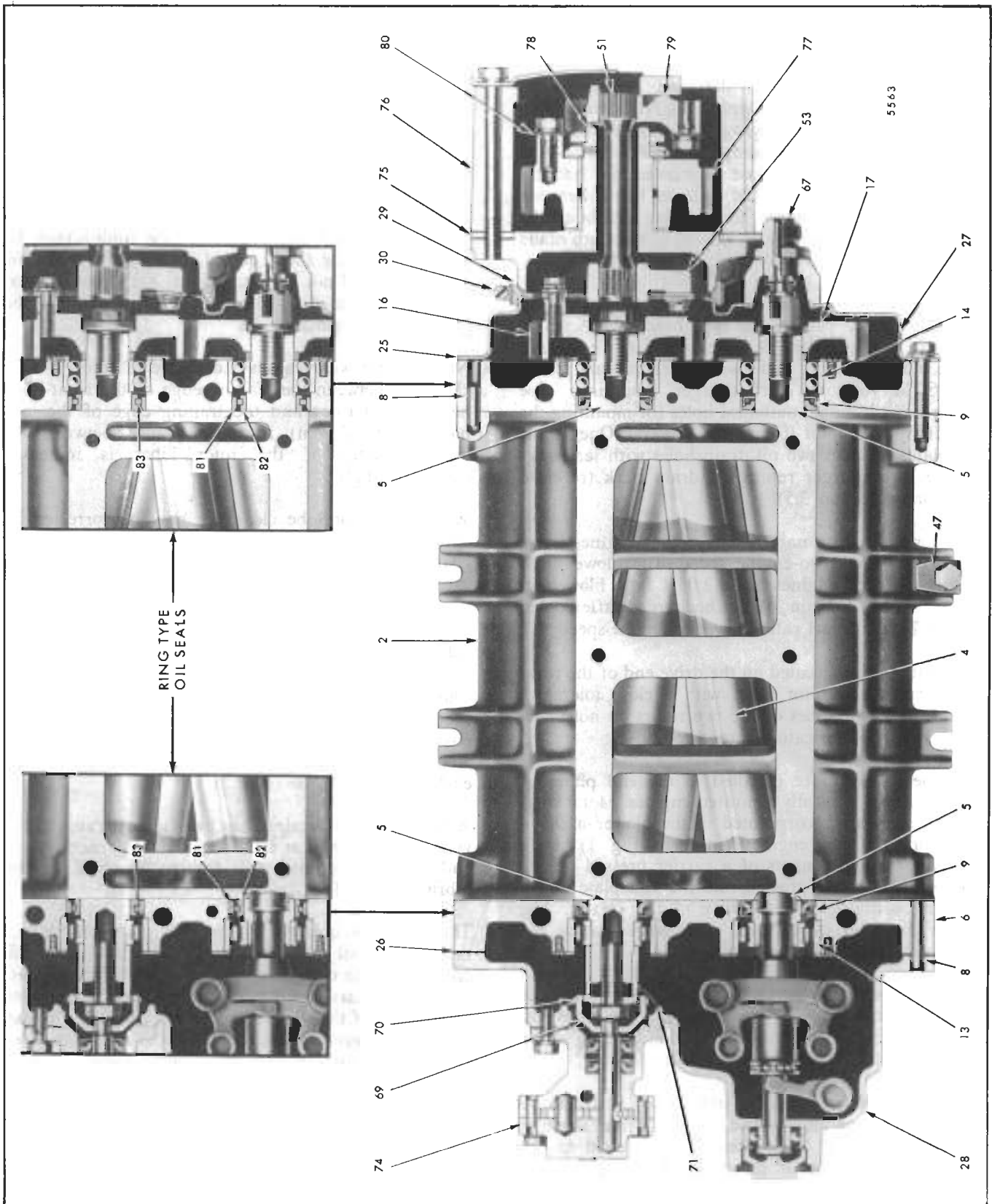


Fig. 1 - Blower and Drive Assembly and Accessories Attached to Blower

- | | | | |
|--|---|---|--|
| <p>2. Housing--Blower
4. Rotor Assy.--Blower
5. Shaft--Rotor
6. Plate--Blower End
8. Pin--Dowel
9. Seal--Oil
13. Bearing--Front (Roller)
14. Bearing--Rear (Ball)
16. Gear--Rotor Drive
17. Gear--Rotor Driven</p> | <p>25. Gasket--Rear End Plate Cover
26. Gasket--Front End Plate Cover
27. Cover--Rear End Plate
28. Housing--Governor (Front End Plate Cover)
29. Seal--Rear End Plate Cover
30. Clamp--Rear End Plate Cover Seal</p> | <p>47. Lug--Mounting Bolt
51. Shaft--Blower Drive
53. Coupling--Drive
67. Fitting--Tachometer Drive Adaptor
69. Fork--Fuel Pump Drive
70. Disc--Fuel Pump Drive
71. Spacer--Fuel Pump Drive Disc
74. Pump Assy.--Fuel</p> | <p>75. Plate--Cylinder Block Rear End
76. Housing--Flywheel
77. Gear--Blower Drive
78. Support--Blower Drive
79. Hub--Blower Drive
80. Plate--Blower Drive Coupling
81. Collar--Blower End Plate
82. Carrier--Seal Ring
83. Ring--Seal (Piston Type)</p> |
|--|---|---|--|

Fig. 1 - Blower and Drive Assembly and Accessories Attached to Blower

pressure from a tube which connects the oil passage in the rear end plate to passages in the blower drive support. Excess oil drains back to the crankcase by way of the gear train.

Inspection

The blower may be inspected for any of the following conditions without being removed from the engine. However, the air silencer and adaptor, or the air inlet housing, air shutdown housing and adaptor must first be removed. The turbocharger and adaptor must also be removed on engines equipped with the OTM blower.

CAUTION: When inspecting a blower on an engine with the engine running, keep fingers and clothing away from moving parts of the blower and run the engine at low speeds only.

1. Dirt or chips, drawn through the blower, will make **deep scratches in the rotors** and housing and throw up burrs around such abrasions. If burrs cause interference between the rotors or between the rotors and the housing, remove the blower from the engine and "dress" the parts to eliminate interference, or replace the rotors if they are badly scored.

2. Leaky oil seals are usually manifest by the presence of oil on the blower rotors or inside surfaces of the housing. This condition may be checked by running the engine at low speed and directing a light into the rotor compartment at the end plates and the oil seals. A thin film of oil radiating away from the seals toward the inlet of the blower is indicative of leaking seals.

3. A worn blower drive may be detected by grasping the right-hand helix rotor firmly and attempting to rotate it. The rotors may move from 3/8" to 5/8", measured at the lobe crown, with a springing action. When released, the rotors should move back at least 1/4".

4. Loose rotor shafts or damaged bearings will cause rubbing and scoring between the crowns of the rotor

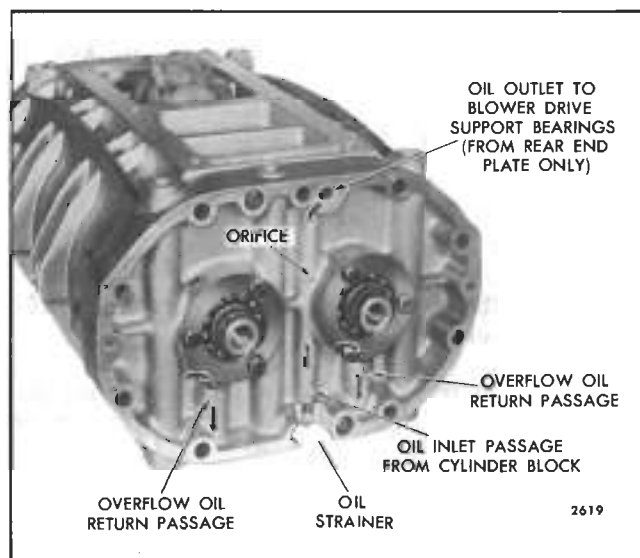


Fig. 2 - Blower Lubrication (Except OTM Blower)

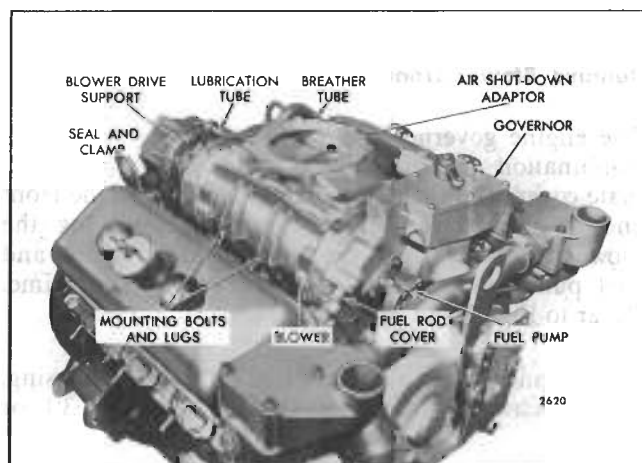


Fig. 3 - Typical Blower Mounting (Single Blower)

lobes and the mating rotor roots, between the rotors and the end plates, or between the rotors and the housing. Generally, a combination of these conditions exists. Worn or damaged bearings will cause rubbing between mating rotor lobes at some point or perhaps allow the rotor assemblies to rub the blower housing or the end plates. This condition will usually show up at the end where the bearings have failed.

5. Excessive backlash between the blower timing gears usually results in the rotor lobes rubbing throughout their entire length. This usually is on the trailing (close clearance) side.

6. Inspect the blower inlet screen, if used, periodically, as noted in Section 15.1, for an accumulation of dirt which, after prolonged operation, may affect the air flow. Servicing of the screen consists of thoroughly washing it in fuel oil and cleaning with a stiff brush until the screen is free of all dirt deposits. If broken wires are found in the blower screen, replace the screen.

7. Check the lubricating oil connection between the blower and the blower drive support for excessive oil leakage. If oil leakage exists, retighten or replace the fittings or seal rings.

8. Check the rubber seal ring used between the blower end plate cover and the blower drive support for oil leakage. If oil leakage exists, retighten the seal clamp or replace the seal ring. Current engines use a seal ring (.740" wide) that incorporates two raised edges which provide a groove to retain the clamp. To replace a seal ring without removing the blower, refer to Section 3.0.

To correct any of the conditions cited in items 1 through 6, the blower must be removed from the engine and either repaired or replaced.

Remove Blower from Engine

The engine governor components are assembled in a combination governor housing and blower front end plate cover. The fuel pump is also attached to the front end of the blower. Therefore, when removing the blower assembly from the engine, the governor and fuel pump will also be removed at the same time. Refer to Fig. 3 and proceed as follows:

1. Disconnect the air cleaner to air shutdown housing, or turbocharger, tubing as required (Section 3.1 or 3.5).

2. Remove the turbocharger, if used, and attaching parts (Section 3.5).

3. Disconnect the shutdown wire assembly from the air shut-off cam pin handle.

4. Remove the air shutdown housing assembly and gasket (Section 3.3).

5. Remove the bolts and washers securing the air shutdown housing to the blower. Remove the adaptor and the blower screen (if used).

6. Loosen the oil pressure line fitting from the rear of the blower to the blower drive support and slide the fitting back on the tube.

7. Loosen the hose clamp on the blower drive support-to-blower seal.

8. Disconnect the tachometer drive cable from the adaptor at the rear of the blower.

9. Remove the flywheel housing cover at the blower drive support.

10. Remove the snap ring and withdraw the blower drive shaft from the blower.

11. Open the drain cocks and drain the engine cooling system.

12. Loosen the hose clamps and slide the hoses back on the by-pass tube between the thermostat housings. Remove the by-pass tube.

13. Remove the fuel inlet and outlet lines to the fuel pump. Also remove the fuel return crossover tube between the cylinder heads.

14. Remove or disconnect the breather pipe at the top of the cylinder block.

15. Remove the front engine lifter bracket, if necessary.

16. Disconnect the throttle control rods from the governor.

17. Clean and remove the rocker cover from each cylinder head.

18. Remove the eight governor cover screws and lock washers and remove the governor cover.

19. Disconnect the fuel rods from both the injector control tube levers and the governor and remove the fuel rods.

20. Loosen the hose clamps on the fuel rod cover tube hoses next to each cylinder head and slide each hose and clamp up on the tube in the governor housing.

21. Remove the two bolts and washers through the top

of each end plate which secures blower to the cylinder block.

22. Remove the blower-to-block bolts and retaining washers on each side of the blower.

23. Disconnect and remove any tubing or accessories which may interfere with removal of the blower.

24. On 16V engines, disconnect the governor linkage as outlined in Section 2.7.1. Remove the governor from the engine. Either blower may be removed without disturbing the other blower. Remove the governor to blower gasket.

25. Thread eyebolts in the diagonally opposite tapped holes in the top of the blower housing. Then attach a rope sling and chain hoist to the eyebolts.

26. Lift the blower up slightly and move it forward to detach the blower from the seal at the drive end. Then lift the blower up and away from the engine. Remove the blower gasket.

With the blower, fuel pump and governor assembly removed from the engine, cover the air inlet and outlet openings of the blower housing and install the governor cover. Wash the exterior of the blower and governor housing with clean fuel oil and dry them with compressed air.

Remove Blower Rear End Plate Cover

Remove the blower rear end plate cover, governor and fuel pump assembly from the blower as follows:

1. Remove the remaining bolts, lock washers and special washers securing the rear end plate cover to the end plate. Remove the cover and gasket from the end plate.

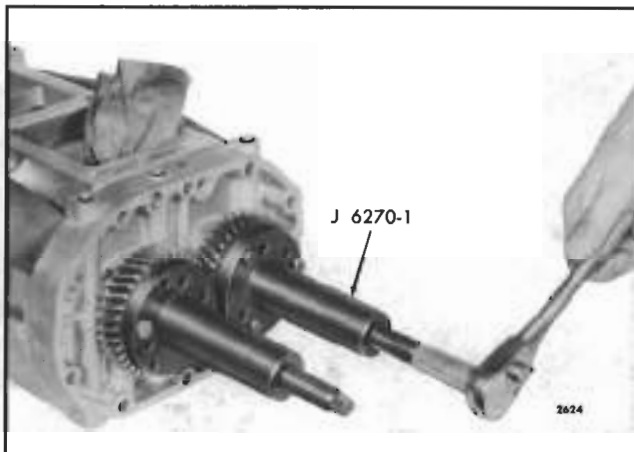


Fig. 4 - Removing Blower Gears

2. Remove the three bolts and washers securing the spring plates to the right-hand blower rotor gear. Remove the drive coupling from the gear.

3. Note the location of the two copper washers, one plain washer and eight lock washers on the governor-to-blower bolts before removing them. Then remove the ten bolts and washers (two inside and eight outside) securing the governor and fuel pump assembly to the blower.

4. Tap the sides of the governor housing slightly with a plastic hammer to loosen the governor from the blower. Then pull the governor and fuel pump assembly from the dowels in the blower end plate. Remove the fuel pump drive coupling fork and the governor housing gasket.

Disassemble Blower

With the blower rear end plate cover, blower drive hub and governor assembly removed from the blower, refer to Figs. 1 and 9 and disassemble the blower as follows:

1. Place a clean folded cloth between the rotors, then remove the lock bolts and thick washers securing the timing gears to the blower rotor shafts.

2. Remove the timing gears with pullers J 6270-1 (Fig. 4). Both gears must be pulled at the same time as follows:

a. Back out the center screws of both pullers and place the flanges against the gear faces, aligning the flange holes with the tapped holes in the gears. Secure the pullers to the gears with 5/16" - 24 x 1-1/2" bolts (two bolts on the L.H. helix gear and three bolts on the R.H. helix gear).

b. Turn the two puller screws uniformly clockwise and withdraw the gears from the rotor shafts as shown in Fig. 4.

3. Remove the shims from the rotor shafts, after the gears have been removed, and note the number and thickness of shims on each rotor shaft to ensure identical replacement when re-assembling the blower.

4. Remove the self locking screws securing the rotor shaft bearing retainers to the front and rear end plates. Remove the retainers.

5. Remove the blower rear end plate and ball bearing assembly from the blower housing and rotors with the two pullers J 6270-1 as follows:

a. Remove the two fillister head screws securing the rear end plate to the blower housing and loosen

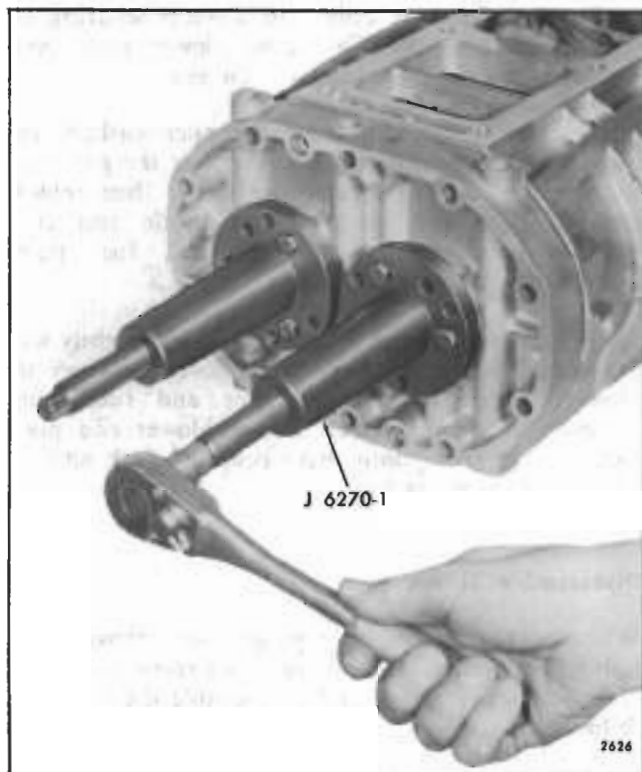


Fig. 5 - Removing Blower End Plate and Bearings from Housing and Rotors

the two fillister head screws securing the front end plate to the housing approximately three turns.

- b. Back out the center screws of the pullers far enough to permit the flange of each puller to lay flat on the face of the end plate.
- c. Align the holes in each puller flange with the

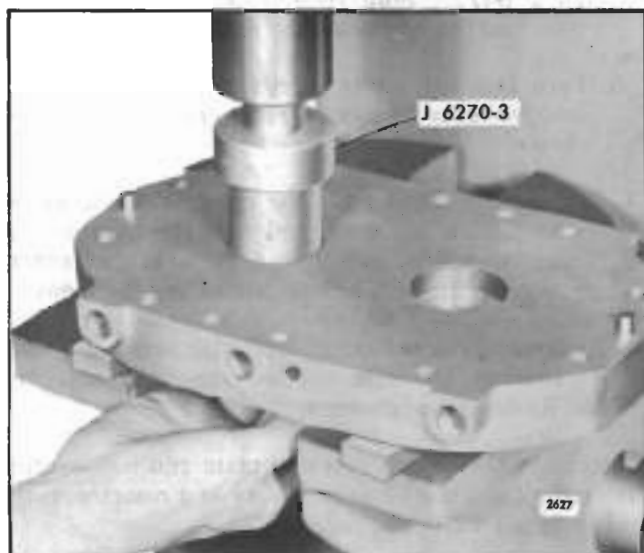


Fig. 6 - Removing Oil Seal (or Oil Seal Ring Collar) and Bearing from End Plate

tapped holes in the end plate and secure the pullers to the end plate with six 1/4"-20 x 1-1/4" or longer bolts.

NOTE: Be sure that the 1/4"-20 bolts are threaded all the way into the tapped holes in the end plate to provide maximum anchorage for the pullers and to eliminate possible damage to the end plate.

- d. Turn the two puller screws uniformly clockwise and withdraw the end plate and bearings from the blower housing and rotors as shown in Fig. 5.
6. Remove the blower front end plate and roller bearing assembly from the blower housing and rotors as follows:

- a. Remove the fuel pump drive bolt, washer and spacer.
- b. Remove the two fillister head screws securing the front end plate to the blower housing.
- c. Remove the front end plate and roller bearings from the housing and rotors.

NOTE: The roller bearing inner races will remain on the shaft of the rotor and the lip type oil seals could be damaged.

7. Withdraw the blower rotors from the housing.

8. Remove the bearings and *lip type* oil seals from the naturally aspirated engine blower end plates as follows:

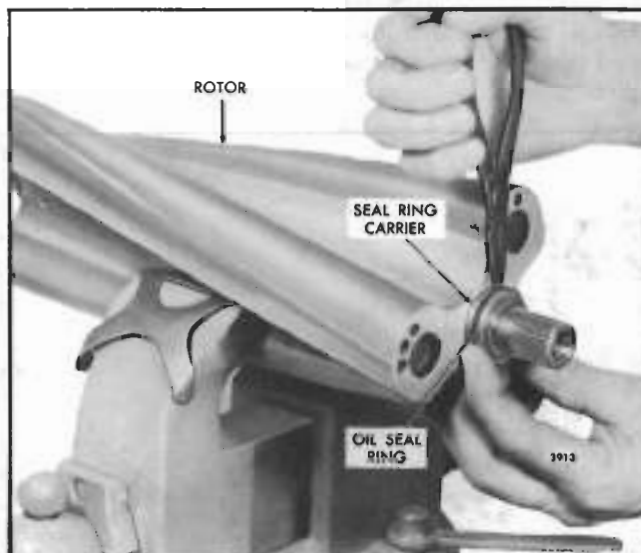


Fig. 7 - Removing Oil Seal Ring from Carrier (Turbocharged Engine Blowers)

- a. Support the outer face of the end plate on wood blocks on the bed of an arbor press.
 - b. Place the long end of the oil seal remover and installer J 6270-3 down through the oil seal and into the bearing, with the opposite end of the remover under the ram of the press (Fig. 6). Then press the bearing and oil seal out of the end plate. Discard the oil seal.
 - c. Remove the remaining bearings and oil seals from the end plates in the same manner.
9. Remove the bearings and *ring-type* oil seals, carriers, roller bearing inner races and collars from the turbocharged engine blower rotor shafts and end plates as follows:
- a. Clamp one lobe of the rotor in a bench vise equipped with soft jaws (Fig. 7). Tighten the vise just enough to hold the rotor stationary.
 - b. Remove the oil seal ring from the seal ring carrier on each blower rotor shaft with a pair of snap ring pliers as shown in Fig. 7.
- NOTE:** To avoid breakage or distortion, do not spread or twist the ring any more than necessary to remove it.
- c. Refer to Fig. 8 and place the seal ring carrier remover adaptor J 6270-2 over the carrier. Make sure the adaptor is seated in the groove of the carrier.
 - d. Back out the center screw of puller J 6270-1 far enough to permit the puller flange to lay flat against the adaptor J 6270-2.
 - e. Place the puller over the end of the rotor shaft and against the adaptor on the oil seal ring carrier. Align the holes in the puller flange with the tapped holes in the adaptor, then secure the puller to the adaptor with two bolts.

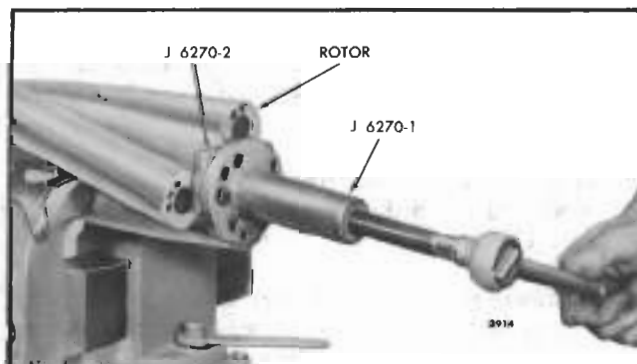


Fig. 8 - Removing Oil Seal Ring Carrier from Blower Rotor Shaft (Turbocharged Engine Blowers)

- f. Turn the puller screw clockwise and pull the oil seal ring carrier and roller bearing inner race (front end of blower rotors only) from the rotor shaft (Fig. 8).
- g. Remove the remaining oil seal ring carriers from the rotor shafts in the same manner.
- h. Refer to Fig. 6 and support the outer face of the blower end plate on wood blocks on the bed of an arbor press.
- i. Place the long end of the oil seal remover and installer J 6270-3 down through the oil seal ring collar and into the bearing, with the opposite end of the remover under the ram of the press (Fig. 6). Then press the bearing and oil seal ring collar out of the end plate.
- j. Remove the remaining bearings and oil seal ring collars from the end plates in the same manner.

The oil seal ring collar can be removed from the blower end plate with the bearing in place as follows:

- a. Insert the two-piece collar remover (with the "O" ring) J 26221-15 in the collar with the lip of the remover on the inside edge of the collar.
- b. Support the inner face of the blower end plate on wood blocks.
- c. Insert the small end of the driver handle J 26270-17 through the bearing and into the collar remover, spreading it tight in the collar.
- d. Press or tap on the driver handle to remove the collar.

Inspection

Wash all of the blower parts in clean fuel oil and dry them with compressed air.

Examine the bearings for any indications of corrosion or pitting. Lubricate each ball bearing with light engine oil. Then, while holding the bearing inner race from turning, revolve the outer race slowly by hand and check for rough spots.

The double-row ball bearings are pre-loaded and have no end play. A new bearing will seem to have considerable resistance to motion when revolved by hand.

Check the oil seal rings, carriers and collars for wear or scoring. If worn excessively, they must be replaced. The current oil seal rings are chrome flashed and the carriers are liquid nitrided. When replacement of an

oil seal ring or carrier is necessary, both parts must be replaced together.

Inspect the blower rotor lobes, especially the sealing ribs, for burrs or scoring. Rotors must be smooth for satisfactory operation of the blower. If the rotors are slightly scored or burred, they may be cleaned up with emery cloth.

Examine the rotor shaft serrations for wear, burrs or peening. Also inspect the bearing and oil seal contact surfaces of the shafts for wear or scoring.

Inspect the inside surface of the blower housing for burrs or scoring. The inside surface must be smooth for efficient operation of the blower. If the inside surface of the housing is slightly scored or burred, it may be cleaned up with emery cloth.

Check the finished ends of the blower housing for flatness or burrs. The end plates must set flat against the blower housing.

The finished inside face of each end plate must be smooth and flat. If the finished face is slightly scored or burred, it may be cleaned up with emery cloth.

NOTE: Be careful not to remove metal at the joint face between the end plates and the housing. Air or oil leaks could develop after assembly.

Examine the serrations in the blower timing gears for wear or peening. Also, check the gear teeth for wear, chipping or other damage. If the gears are worn to the point where the backlash between the gears exceeds .004", or damaged sufficiently to require replacement, both gears must be replaced as a set.

Check the blower drive shaft serrations for wear or peening. Replace the shaft if it is bent, cracked or has excessive spline wear.

Replace all worn or excessively damaged blower parts.

Clean the oil strainer in the vertical oil passage at the bottom side of each blower end plate and blow out all oil passages with compressed air.

Assemble Blower

Several precautions are given below to assure proper assembly of the rotors and gears for correct blower timing.

1. The lobes on the *driving* blower rotor and the teeth on its gear form a right-hand helix while the lobes and teeth of the *driven* rotor and gear form a left-hand helix. Hence, a rotor with right-hand helix lobes must

be used with a gear having right-hand helix teeth and vice versa.

2. One serration is omitted on the drive end of each blower rotor shaft and a corresponding serration is omitted in each gear. Assemble the gears on the rotor shafts with the serrations in alignment.

3. The rotors must be assembled in the blower housing with the omitted serrations in the rotor shafts aligned as shown in Fig. 21.

With these precautions in mind, proceed with the blower assembly, referring to Figs. 9 through 21 as directed in the text:

1. Install new *lip type* oil seals as follows:

- a. Support the blower end plate, finished surface facing up, on wood blocks on the bed of an arbor press.

NOTE: If oversize oil seals are being used in the blower end plates, use installer J 6270-28 to install the oversize oil seal spacers on the rotor shafts.

- b. Start the oil seal straight into the bore in the end plate with the sealing edge facing down (toward the bearing bore).

- c. Place the short end of oil seal remover and installer J 6270-3 in the oil seal and under the ram of the press (Fig. 10). Then press the oil seal into the end plate until the shoulder on the installer contacts the end plate.

NOTE: A step under the shoulder of the installer will position the oil seal approximately .005" below the finished face of the end plate. This is within the .002" to .008" specified.

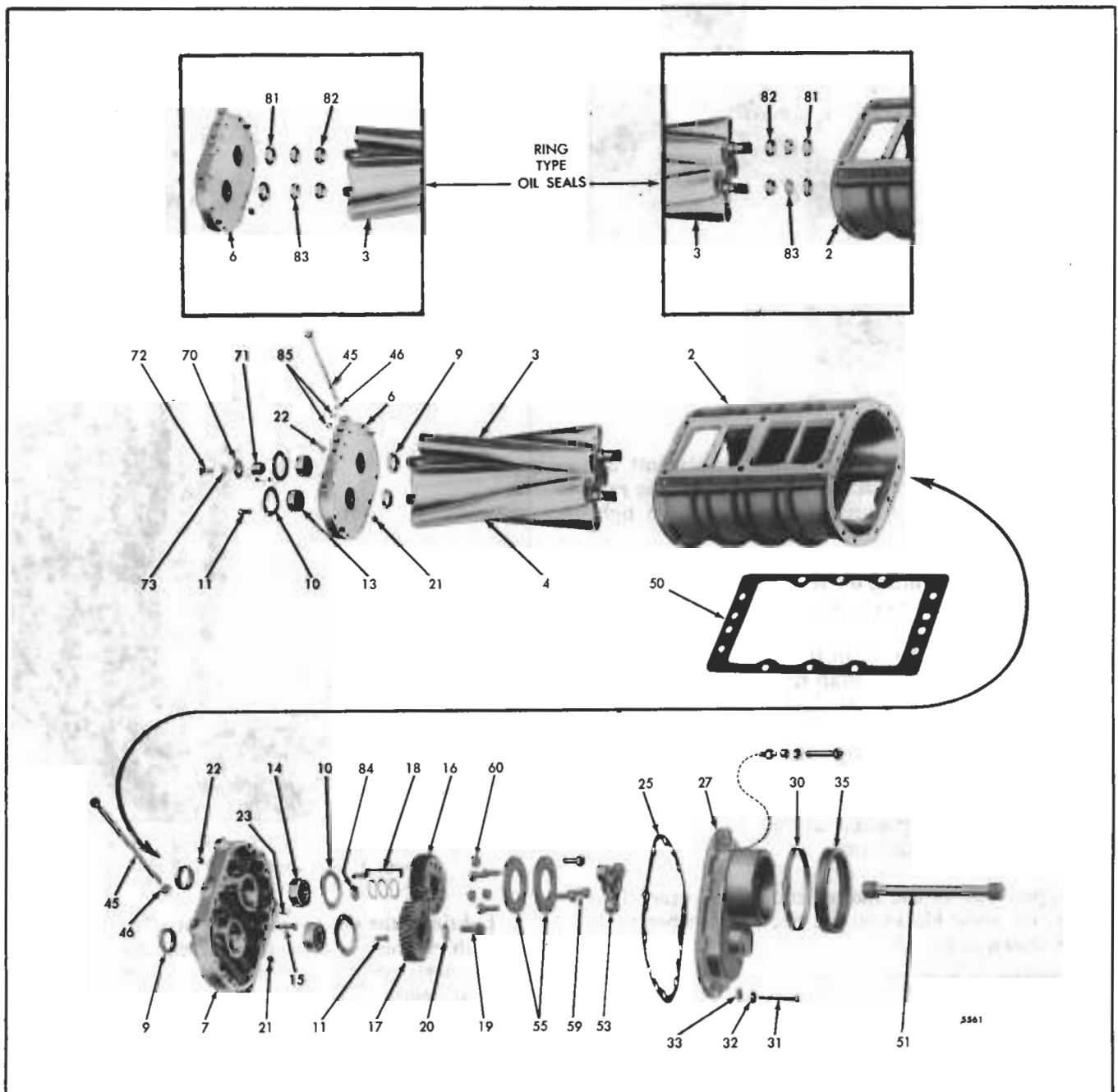
- d. Install the remaining oil seals in the end plates in the same manner.

2. Install the *ring-type* oil seal carriers, collars, seal rings and roller bearing inner races (front end of blower rotors only) on the rotor shafts and in the end plates as follows:

- a. Support one of the rotor assemblies on wood blocks on the bed of an arbor press as shown in Fig. 12.

- b. Lubricate the inside diameter of the oil seal ring carrier with engine oil. Then start the carrier straight over the end of the rotor shaft with the chamfered inside diameter end facing the rotor.

- c. Place the oil seal ring carrier installer J 6270-13



- | | | | |
|--|-------------------------------------|------------------------------|----------------------------------|
| 2. Housing--Blower | 15. Screw--Fillister Head | 30. Clamp--Hose | 59. Bolt |
| 3. Rotor Assy.--R. H. Helix | 16. Gear--R. H. Helix Rotor | 31. Bolt--Cover | 60. Spacer |
| 4. Rotor Assy.--L. H. Helix | 17. Gear--L. H. Helix Rotor | 32. Lock Washer | 70. Disc--Fuel Pump Drive |
| 6. Plate--Blower Front End | 18. Shim--Blower Gear | 33. Washer--Special Flat | 71. Spacer--Fuel Pump Drive Disc |
| 7. Plate--Blower Rear End | 19. Bolt--Blower Gear | 35. Hose--Blower Drive Cover | 72. Bolt--Drive Disc |
| 9. Seal--Oil | 20. Washer | 45. Bolt--Blower Mounting | 73. Lock Washer |
| 10. Retainer--Blower Bearing | 21. Strainer--End Plate Oil Passage | 46. Lock Washer | 81. Collar--Blower End Plate |
| 11. Lockscrew--Retainer | 22. Plug--Oil Passage | 50. Gasket | 82. Carrier--Seal Ring |
| 13. Bearing--Blower Rotor Front (Roller) | 23. Orifice--Oil Passage | 51. Shaft--Blower Drive | 83. Ring--Seal (Piston Type) |
| 14. Bearing--Blower Rotor Rear (Ball) | 25. Gasket--Cover | 53. Coupling | 84. Spacer |
| | 27. Cover--Rear End Plate | 55. Plate--Flexible | 85. Seal Rings |

Fig. 9 - Blower Details and Relative Location of Parts

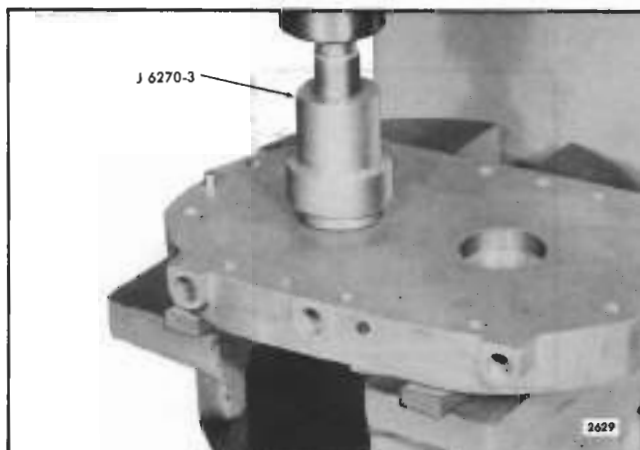


Fig. 10 - Installing Oil Seal (or Oil Seal Ring Collar) in End Plate

over the end of the rotor shaft and against the carrier with the end of the installer under the ram of the press. Then press the carrier down tight against the rotor.

- d. Install the remaining oil seal ring carriers on the rotor shafts in the same manner.
- e. Install an oil seal ring in the ring groove of each carrier with a pair of snap ring pliers in the same manner as shown in Fig. 7.

NOTE: To avoid breaking the oil seal rings, do not spread them any more than necessary to place them over the end of the carrier. Do not twist the rings or possible distortion may result in loss of side contact area.

- f. Support one of the blower end plates, inner face up, on wood blocks on the bed of an arbor press as shown in Fig. 10.

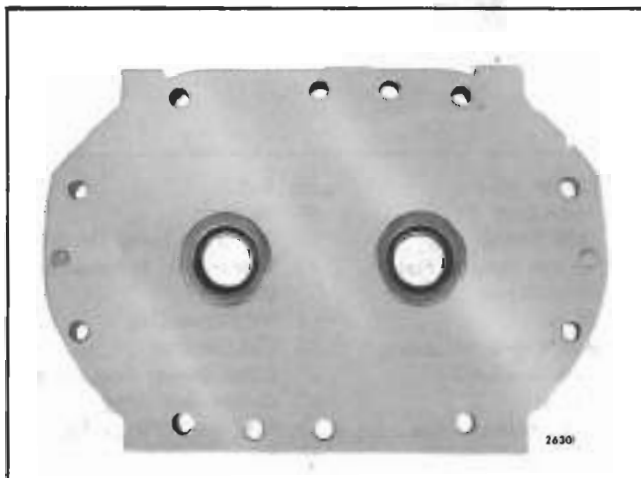


Fig. 11 - Location of Oil Seals in End Plate

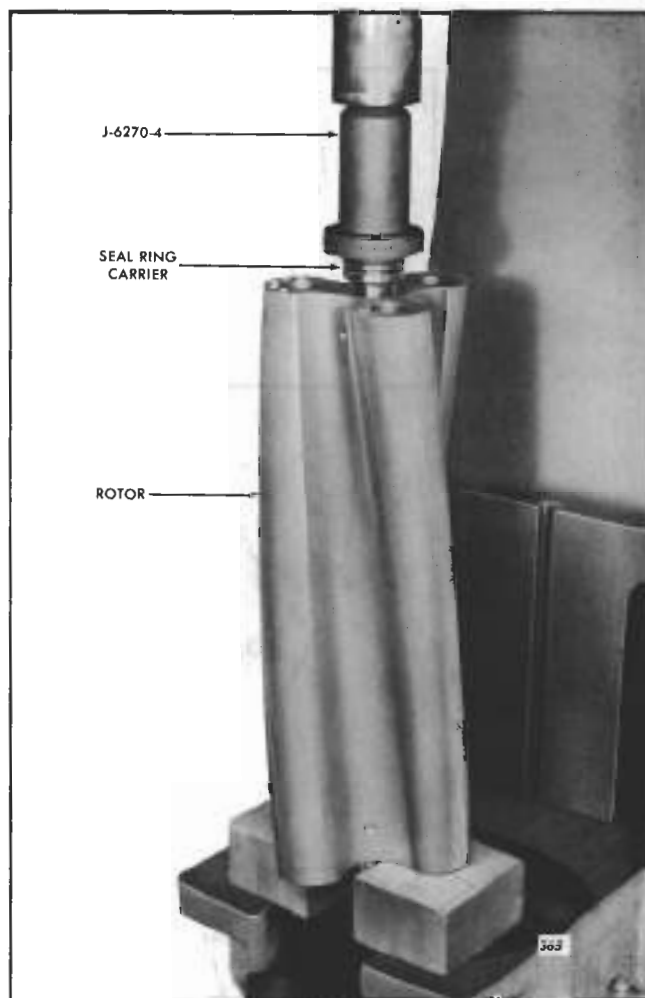


Fig. 12 - Installing Oil Seal Ring Carrier on Blower Rotor Shaft (V-92T Blowers)

- g. Lubricate the outside diameter of a seal ring collar with engine oil. Then start the chamfered outside diameter end of the collar straight into the bore in the end plate.
- h. Place the oil seal ring collar installer J 6270-3 on top of the seal ring collar and under the ram of the press (Fig. 10). Then press the collar into the end plate until the shoulder on the installer contacts the end plate.

NOTE: A step under the shoulder of the installer will position the collar approximately .005 " below the finished face of the end plate. This is within the .002 " to .008 " specified.

- i. Install the remaining oil seal ring collars in the end plates in the same manner.

Assemble Rotors and End Plates (Blower with Lip Type Oil Seals)

1. Install the blower front end plate.

The top of the end plate is readily identified by the two bolt holes and one oil hole, whereas the bottom side of the end plate has two bolt holes and three oil holes. Also, the front end plate is thinner than the rear end plate.

IMPORTANT: The horizontal oil passage in the top front face of the front end plate that intersects the vertical oil passage is plugged. Do not install this end plate on the rear end of the blower housing.

The front end plate should be attached to the front end of the blower housing first. The rear end plate is attached to the blower housing after the rotors are in place. Attach the front end plate to the blower housing as follows:

- a. If removed, press a new oil strainer into the vertical oil passage at the bottom side of the end plate .150" below the bottom surface (Fig. 2). Then install the pipe plug in the vertical oil passage at the top of the end plate.
- b. Check the dowel pins. The dowel pins must project .320" from the flat inner face of the front end plate to assure proper alignment of the end plate with the housing.
- c. If removed, press a new bolt guide sleeve (bushing) into one bolt hole in the bottom side of the end plate. Install the sleeve, with the three notches on the sleeve to the bottom side of the end plate and the center notch to the outside of the end plate, flush to .005" below the surface of the end plate.

NOTE: When installed, the inside flats of the sleeve will be parallel to the center line of the housing.

- d. Place the blower housing on a bench with the top side of the housing up and the front end of the housing facing the outside of the bench.
- e. Position the end plate in front of the blower housing with the top side of the end plate facing up. Then start the dowel pins straight into the dowel pin holes in the housing. Push or tap the end plate against the housing. Note that no gaskets are used between the end plates and the housing. Therefore, the mating surfaces should be perfectly flat and smooth. A very light coating of a thin sealer can be used, however, caution must be used so that no sealer protrudes into the

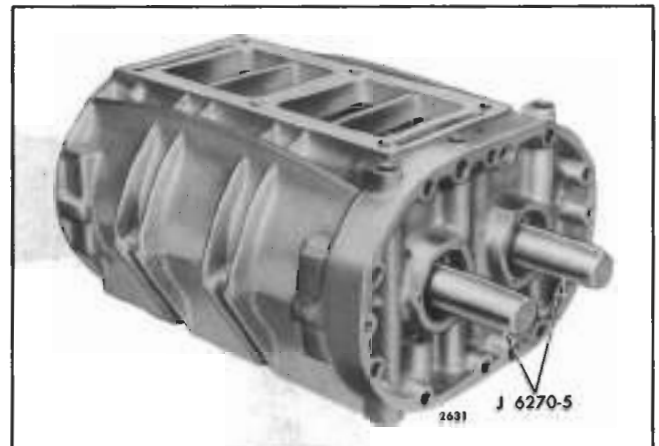


Fig. 13 - Assembling Blower Rotors in Housing and Front End Plate with Oil Seal Pilots

housing. Also, the sealer must not prevent the end plate from laying flat against the housing.

- f. Insert the two fillister head screws through the end plate and thread them into the housing. Tighten the screws to 5-10 lb-ft (7-14 Nm) torque. Do not use lock washers on these screws.

2. Refer to Fig. 13 and install the blower rotors in the blower housing and end plate as follows:

- a. Reverse the blower housing on the bench (open end of housing facing the outside of the bench).
- b. Place the rotors in mesh with the omitted serrations in the rotor shafts in a horizontal position and facing to the left as viewed from the gear end. Note that the right-hand helix rotor is marked "GEAR END" on one end. The gear end of the left-hand rotor is that end which has the serrated shaft.
- c. Install an oil seal pilot J 6270-5 over the opposite end of each rotor shaft.

NOTE: When oversize oil seals are used in the blower end plate, use oil seal spacer installer J 6270-28 for the oil seal pilots in place of J 6270-5.

- d. Insert the rotors straight into the housing and through the front blower end plate.
- e. Remove the oil seal pilots from the rotor shafts.

3. Install the blower rear end plate as follows:

- a. If removed, press a new oil strainer into the vertical oil passage at the bottom side of the end plate .150" below the bottom surface (Fig. 2).

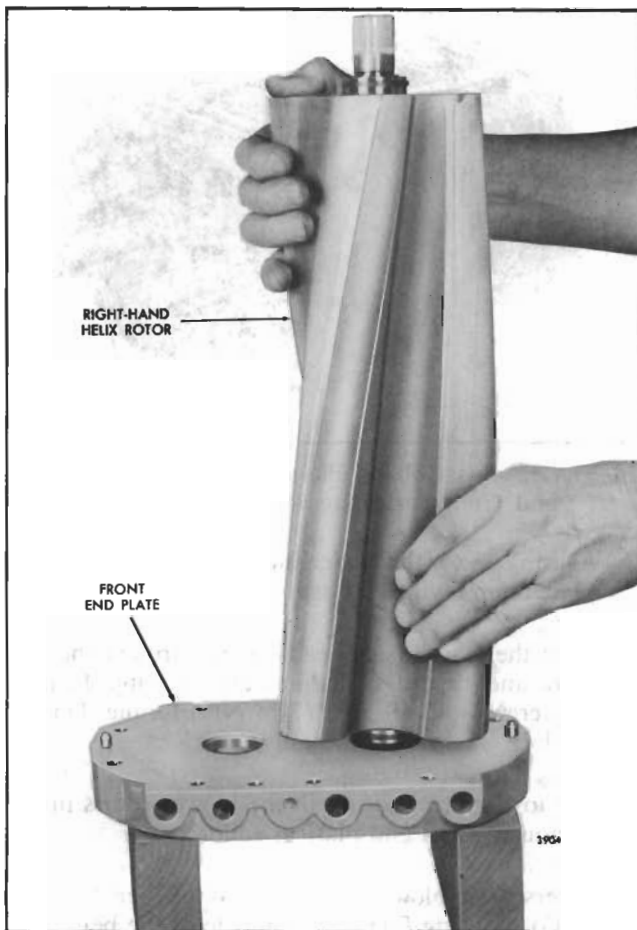


Fig. 14 - Installing Blower Rotor in Front End Plate (V-92T Blowers)

Then install the pipe plug in the vertical oil passage at the top of the end plate.

- b. If removed, press a new bolt guide sleeve (bushing) into one bolt hole in the bottom side of the end plate. Install the sleeve, with the three notches on the sleeve to the bottom side of the end plate and the center notch to the outside of the end plate, flush to .005 " below the surface of the end plate.

NOTE: When installed, the inside flats of the sleeve will be parallel to the center line of the housing.

- c. Install an oil seal pilot J 6270-5 over the serrated end of each rotor shaft.

NOTE: When oversize oil seals are used in the blower end plate, use oil seal spacer installers J 1682-13 for the oil seal pilots in place of J 6270-5.

- d. Check the dowel pins. The dowel pins must project .320 " from the flat inner face of the rear end

plate to assure proper alignment of the end plate with the housing.

- e. With the top of the end plate identified as in Step 1, and its flat finished face towards the blower housing, slide the end plate straight over the oil seal pilots and start the dowel pins straight into the dowel pin holes in the housing. Then push or tap the end plate against the housing.
- f. Insert the two fillister head screws through the end plate and thread them into the housing. Tighten the screws to 5-10 lb-ft (7-14 Nm) torque. Do not use lock washers on these screws.
- g. Remove the oil seal pilots from the rotor shafts.

4. Check the relationship of the blower end plates to the housing at the cylinder block side of the blower assembly. The protrusion of the housing with respect to the end plates should not be more than .0005 " above to .0065 " below the end plate. Excessive protrusion could distort the housing when the end plate to cylinder block bolts are tightened and cause rotor to housing interference.

Assemble Rotors and End Plates (Blower with Ring-Type Oil Seals -- Regular and OTM Blowers)

I. Install the blower rotors in the blower front end plate as outlined below.

- a. Check the dowel pins. The dowel pins must project .320 " from the flat inner face of the front end plate to assure proper alignment of the end plate with the housing.
- b. If removed, press a new bolt guide sleeve (bushing) into one bolt hole in the bottom side of the end plate. Install the sleeve, with the three notches on the sleeve to the bottom side of the end plate and the center notch to the outside of the end plate, flush to .005 " below the surface of the end plate.

NOTE: When installed, the inside flats of the sleeve will be parallel to the center line of the housing.

- c. Support the front end plate on two wood blocks approximately 4 " high, with the inner face of the end plate facing up and the TOP side of the plate facing the serviceman's right (Fig. 14).
- d. Lubricate the oil seal ring in the carrier on the front end of the right-hand helix rotor shaft with engine oil.

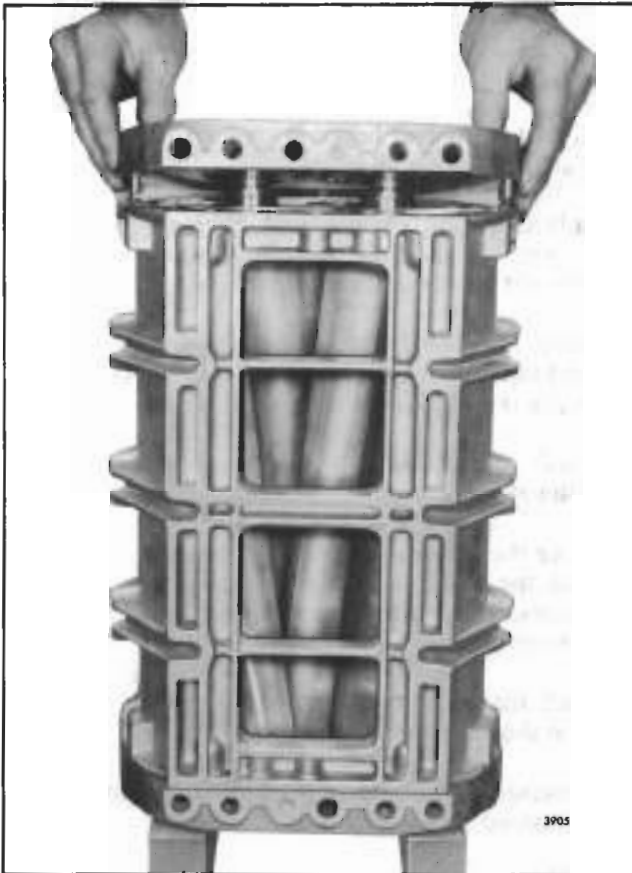


Fig. 15 - Installing Rear End Plate on Blower Rotors and Housing

- e. Hold the right-hand helix rotor in a vertical position (gear end up) and position the seal ring in the carrier so the ring protrudes from its groove the same amount on each side and the gap is facing away from the serviceman.
- f. With the omitted serration in the splines of the shaft facing toward the top side of the end plate, start the end of the rotor shaft into the right-hand shaft opening in the end plate so that the gap portion of the seal ring is started into the ring collar (Fig. 14). Continue to lower the rotor and very carefully apply pressure to the seal ring approximately 180° from the gap while gently working the seal ring into the collar until the rotor contacts the end plate.
- g. Perform Steps "d" and "e" above on the left-hand helix rotor.
- h. Position the rotors so the lobes are in mesh and the omitted serrations in the splines of both rotor shafts are facing toward the top side of the end plate. Then install the left-hand helix rotor as in Step "f".

2. Install the blower housing over the rotors and attach it to the front end plate as follows:

NOTE: When assembling an OTM 6V blower, it must be determined which is the front end of the housing. For front mounted OTM vehicle engines, the housing must be installed with the stamped triangle end toward the front of the engine. With the rear mounted OTM vehicle engines, the housing is installed with the stamped triangle end toward the rear. On the 8V OTM vehicle engines, either end of the housing can face toward the front of the engine.

- a. Position the blower housing over the top of the rotors so the bottom face of the housing faces the bottom side of the front end plate. Then lower the housing over the rotors until it contacts the dowel pins in the end plate.
 - b. Align the dowel pin holes in the housing with the dowel pins in the end plate. Then push the housing tight against the end plate. If necessary, tap the housing lightly with a plastic hammer.
 - c. Insert the two fillister head screws through the front end plate and thread them into the housing. Tighten the screws to 5-10 lb-ft (7-14 Nm) torque. Do not use lock washers on these screws.
3. Install the blower rear end plate on the rotor shafts and housing as follows:

- a. Check the dowel pins. The dowel pins must project .320" from the flat inner face of the rear end plate to assure proper alignment of the end plate with the housing.
- b. If removed, press a new bolt guide sleeve (bushing) into one bolt hole in the bottom side of the end plate. Install the sleeve, with the three notches on the sleeve to the bottom side of the end plate and the center notch to the outside of the end plate, flush to .005" below the surface of the end plate.

NOTE: When installed, the inside flats of the sleeve will be parallel to the center line of the housing.

- c. Lubricate the oil seal rings in the carriers on the rotor shaft with engine oil.
- d. Position the oil seal rings in the carriers so the ring protrudes from its groove the same amount on each side.
- e. Position the rear end plate over the top of the rotor shafts with the inner face of the end plate

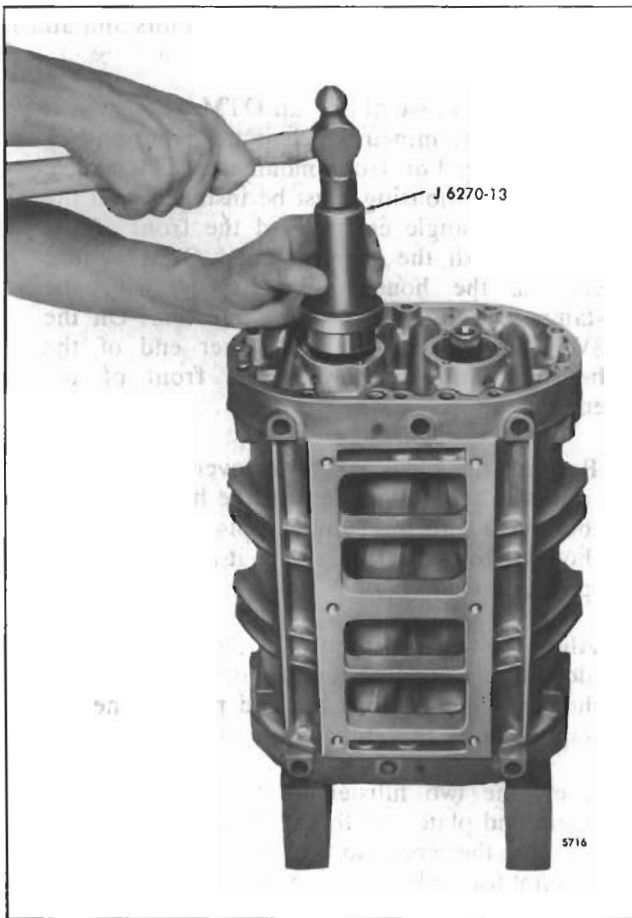


Fig. 16 - Installing Ball Bearings on Rotor Shaft and in Rear End Plate

facing the rotors and the TOP side of the end plate facing the top side of the blower housing.

f. Lower the end plate straight over the rotor shafts until the dowel pins in the end plate contact the blower housing (Fig. 15). Then carefully work the dowel pins into the dowel pin holes in the housing and the oil seal rings into the collars. Push the end plate tight against the housing. If necessary, tap the end plate lightly with a plastic hammer.

g. Insert the two fillister head screws through the rear end plate and thread them into the housing. Tighten the screws to 5-10 lb-ft (7-14 Nm) torque. Do not use lock washers on these screws.

4. Check the relationship of the blower end plates to the housing at the cylinder block side of the blower assembly. The protrusion of the housing with respect to the end plates should not be more than .0005" above to .0065" below the end plate. Excessive protrusion could distort the housing when the end plate to cylinder block bolts are tightened and cause rotor to housing interference.

Install Blower Rotor Shaft Bearings and Gears

1. With the blower housing, rotors and end plates still supported in a vertical position on the two wood blocks, install the ball bearings on the rotor shafts and in the rear end plate as follows:

- a. Lubricate one of the ball bearings with light engine oil. Start the bearing, numbered end up, straight on one of the rotor shafts.
- b. Place installer J 6270-13 on top of the bearing and tap the bearing straight on the shaft and into the rear end plate as shown in Fig. 16.
- c. Install the second ball bearing on the remaining rotor shaft in the same manner.
- d. Place the bearing retainers on top of the bearings and the end plate. Then install the self-locking screws. Tighten the screws to 7-9 lb-ft (9-12 Nm) torque.

2. Install the roller bearing inner races on the rotor shafts at the front end plate as follows:

- a. Reverse the position of the blower housing on the two wood blocks (Fig. 17).
- b. Position the roller bearing inner race over the front end of the rotor shaft and press the race on the shaft with tool J 6270-13 until the bearing contacts the shoulder on the shaft.
- c. Install the bearing inner race on the front end of the other rotor in the same manner.

3. Install the roller bearing outer race assemblies in the front end plate as follows:

- a. Lubricate one of the roller bearings with light engine oil. Start the bearing (shoulder side up) over the rotor shaft and bearing inner race and into the end plate.
- b. Place installer J 6270-13 on top of the bearing and tap the bearing straight on the inner race and into the front end plate as shown in Fig. 17.
- c. Install the second roller bearing on the remaining rotor shaft in the same manner.
- d. Place the bearing retainers on top of the bearings and the end plate. Then install three self-locking retainer screws in each retainer. Tighten the screws to 7-9 lb-ft (9-12 Nm) torque.

4. Make a preliminary check of the rotor-to-end plate and rotor-to-housing clearances at this time with a



Fig. 17 - Installing Roller Bearings on Rotor Shafts and in Front End Plate

feeler gage as shown in Fig. 22. Refer to Fig. 20 for minimum blower clearances.

5. Before installing the blower rotor timing gears on the rotor shafts, observe precautions "2" and "3" relative to the rotor shaft and timing gear alignment under *Assemble Blower*.

The center punch mark in the end of each rotor shaft



Fig. 18 - Installing Blower Rotor Timing Gears

at the omitted serration will assist in aligning the gears on the shafts.

If shims were removed from the back side of the gears (between the inner race of the bearing and the gear), they should be replaced in their original positions before installing the gears on their respective shafts.

Install the blower timing gears as follows:

- a. Place the blower assembly on the bench, with the top of the housing up and the rear end (serrated end of rotor shafts) of the blower facing the outside of the bench.
- b. Rotate the rotors to bring the omitted serrations on the shafts in alignment and facing to the left.
- c. Install a .140" thick gear spacer and the same number and thickness of shims on each rotor shaft that were removed at the time of disassembly.
- d. Lubricate the serrations of the rotor shafts with light engine oil.
- e. Place the teeth of the rotor gears in mesh so that the omitted serrations inside the gears are in alignment and facing the same direction as the serrations on the shafts.
- f. Start both rotor gears straight on the rotor shafts with the right-hand helix gear on the right-hand helix rotor and the left-hand helix gear on the left-hand helix rotor, with the omitted serrations in the gears in line with the omitted serrations on the rotor shafts.
- g. Thread a 1/2"-20 x 1-1/4" bolt with a thick washer into the end of each rotor shaft. Place a clean folded cloth between the lobes of the rotors (Fig. 18) to prevent the gears from turning. Draw the gears into position tight against the spacers and shims and the bearing inner races as shown in Fig. 18.
- h. Remove the two bolts and washers that were used to draw the gears into position on the rotor shafts.
- i. Lubricate the threads of the 1/2"-20 x 1-1/2" gear retaining bolts with engine oil. Place a spacer (.340" thick) on each of the bolts and thread the bolts into the rotor shafts. Tighten the bolts to 100-110 lb-ft (136-150 Nm) torque. Remove the cloth from the blower rotors.

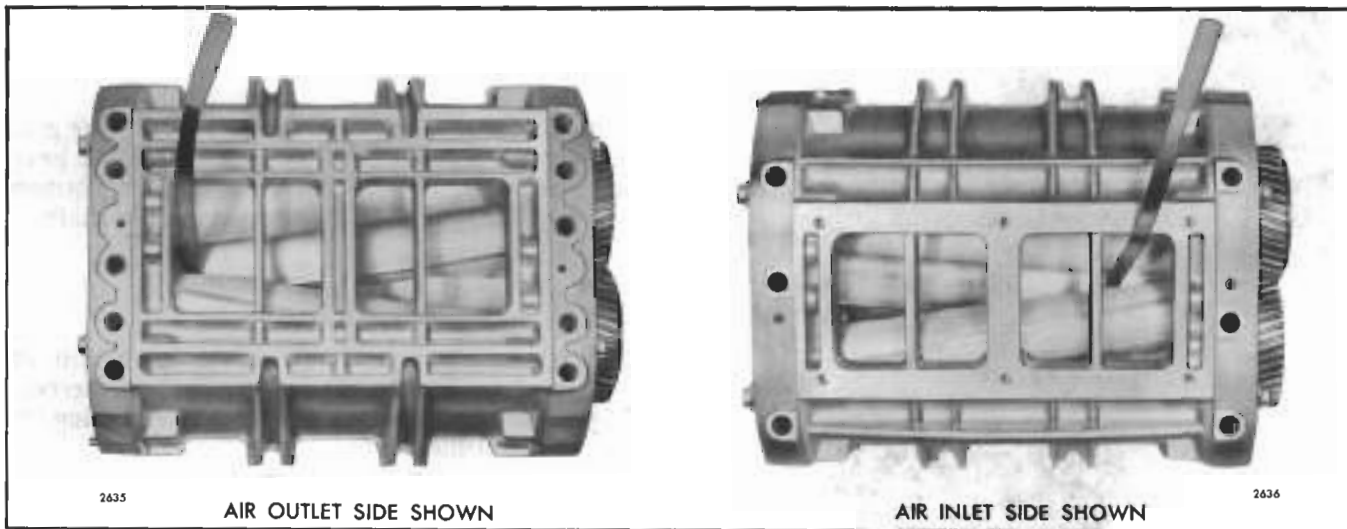


Fig.19 - Measuring "CC" and "C" Clearance Between Blower Rotor Lobes

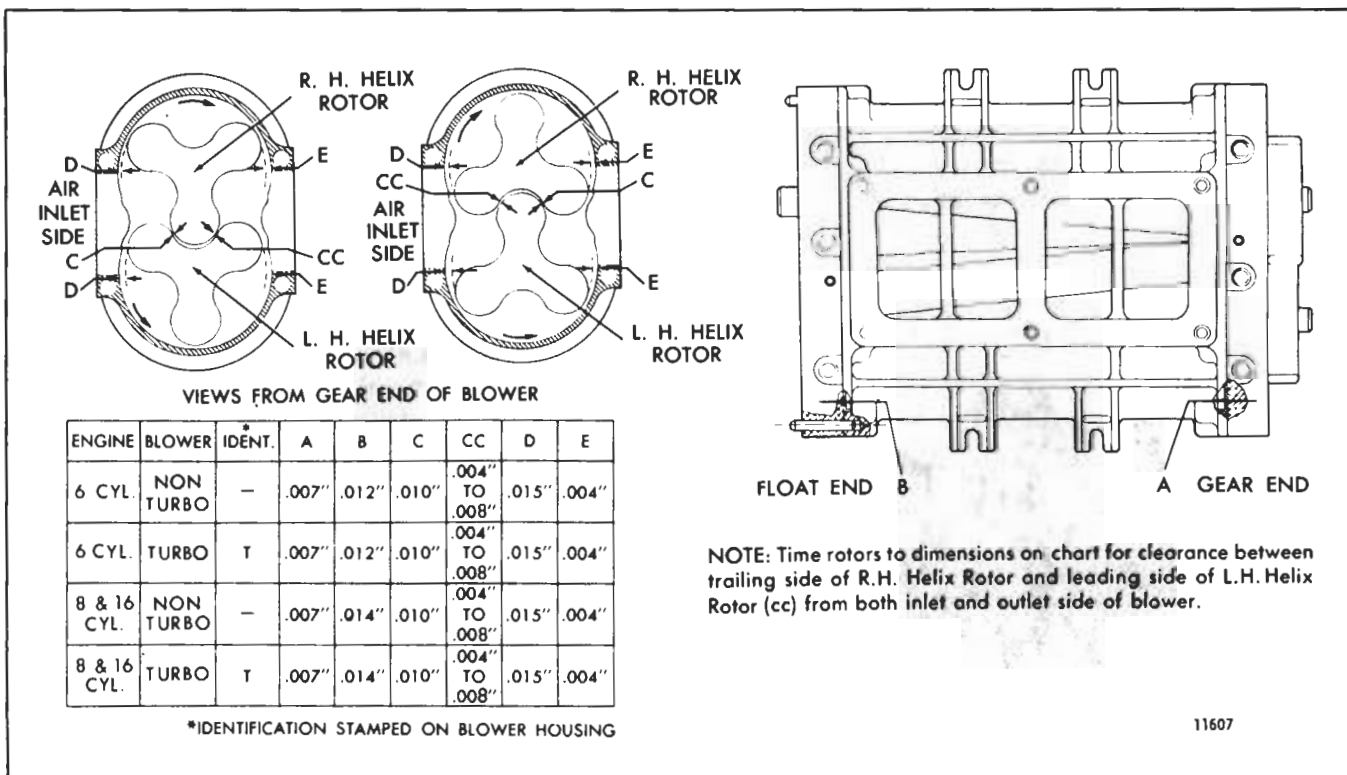
Timing Blower Rotors

After the blower rotors and timing gears are installed, the blower rotors must be timed.

NOTE: Before timing the blower, install four 5/16"-18 x 1-7/8" bolts with flat washers through four bolt holes in each end plate (top and bottom) and thread them into the blower

housing (Fig. 11). Tighten the bolts to 13-17 lb-ft (18-23 Nm) torque. This will hold the end plates against the blower housing so the proper clearance between the rotors and the end plate can be obtained.

1. The blower rotors, when properly positioned in the housing, run with a slight clearance between the lobes. This clearance may be varied by moving one of the



NOTE: Time rotors to dimensions on chart for clearance between trailing side of R.H. Helix Rotor and leading side of L.H. Helix Rotor (cc) from both inlet and outlet side of blower.

11607

Fig. 20 - Chart of Minimum Blower Clearances

helical gears in or out on the shaft relative to the other gear.

2. If the right-hand helix gear is moved out, the right-hand helix rotor will turn counterclockwise when viewed from the gear end. If the left-hand helix gear is moved out, the left-hand helix rotor will turn clockwise when viewed from the gear end. This positioning of the gears, to obtain the proper clearance between the rotor lobes, is known as blower timing.

3. Moving the gears OUT or IN on the rotor shafts is accomplished by adding or removing shims between the gears and the bearings.

4. The clearance between the rotor lobes may be checked with 1/2" wide feeler gages in the manner shown in Fig. 19. When measuring clearances of more than .005", laminated feeler gages that are made up of .002", .003" or .005" feeler stock are more practical and suitable than a single feeler gage. A specially designed feeler gage set J 1698-02 for the blower clearance operation is available. Clearances should be measured from both the inlet and outlet sides of the blower.

5. Refer to Figs. 19 and 20 and time the rotors to the specified clearance between the *trailing* edge of the right-hand helix rotor and the *leading* edge of the left-hand helix rotor ("CC" clearance) measured from both the inlet and outlet sides. Then check the clearance between the *leading* edge of the right-hand helix rotor and the *trailing* edge of the left-hand helix rotor ("C" clearance) for the minimum clearance. Rotor-to-rotor measurements should be taken 1" from each end and at the center of the blower.

6. After determining the amount one rotor must be

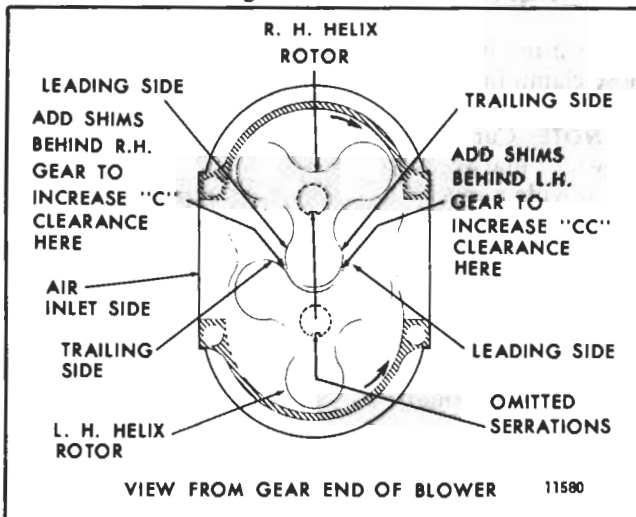


Fig. 21 - Diagram Showing Proper Location of Shims for Correct Rotor Lobe Clearances

revolved to obtain the proper clearance, add shims back of the proper gear as shown in Fig. 21 to produce the desired result. When more or less shims are required, both gears must be removed from the rotors. Placing a .003" shim in back of a rotor gear will revolve the rotor .001".

7. Install the required thickness of shims back of the proper gear and next to the .140" thick gear spacer which is against the bearing inner race and re-install both gears. Recheck the clearances between the rotor lobes.

8. Determine the minimum clearances at points "A" and "B" shown in Fig. 20. Insert the feeler gages, as shown in Fig. 22, between the end plates and the ends of the rotors. This operation must be performed at the ends of each lobe, making 12 measurements in all. Refer to Fig. 20 for the minimum clearances.

9. Check the clearance between each rotor lobe and the blower housing at both the inlet and outlet side -- 12 measurements in all. Refer to Fig. 20 for the minimum clearances.

After the blower rotors are timed, complete assembly of the blower as outlined below:

1. Place the fuel pump drive disc spacer over the forward end of the right-hand helix rotor shaft. Then place the special lock washer and the drive disc on the retaining bolt and thread the bolt into the rotor shaft against the spacer. Tighten the bolt to 55-65 lb-ft (75-88 Nm) torque. Bend one tang of the lock washer over into the slot in the drive disc and two tangs over against the flat sides of the bolt head.

2. Attach two spring plates to the drive hub with three bolts, flat washers and lock washers. Tighten the bolts to 25-30 lb-ft (34-41 Nm) torque.

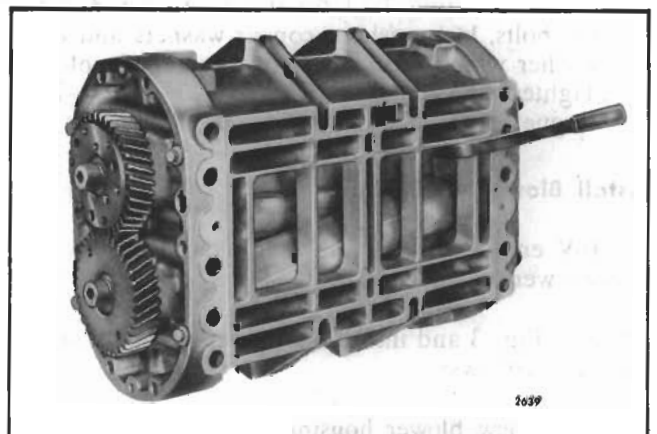


Fig. 22 - Measuring End Clearance Between Blower Rotors and End Plate

3. Attach the drive hub and spring plate assembly to the right-hand helix blower rotor timing gear with three spacers, bolts, flat washers and lock washers. Tighten the bolts to 25-30 lb-ft (34-41 Nm) torque.

4. Affix a new gasket to the blower rear end plate cover. Place the cover over the gears and against the end plate, with the opening in the cover over the blower drive hub attached to the right-hand helix gear. Install the rear cover using ten 5/16"-18 x 2-1/2" bolts and lock washers. Tighten the bolts to 13-17 lb-ft (18-23 Nm) torque.

NOTE: The tab on the gasket is to assure the gasket is in place.

5. On 6V engines, attach the adaptor and dry seal connector to the rear blower end plate when installing the blower on an engine.

6. On all 8V and 16V engines, attach the lubricating oil tube and dry seal connector to the rear blower end plate when installing the blower on the engine.

7. Attach the governor and fuel pump assembly to the blower as follows:

- a. Affix a new gasket to the forward face of the blower end plate.
- b. Place the fuel pump drive fork on the fuel pump shaft. Position the governor, and fuel pump assembly in front of the blower. Rotate the fuel pump fork until the prongs of the fork align with the slots in the drive disc. Rotate the weight shaft and align the splines on the shaft with the splines in the blower rotor.
- c. Push the governor straight on the dowel pins in the blower end plate and against the gasket.
- d. Refer to Section 2.7.1 for the location and install the bolts, lock washers, copper washers and plain washer which secure the governor to the blower. Tighten the bolts to 13-17 lb-ft (18-23 Nm) torque.

Install Blower on Engine

On 16V engines, install the rear blower first if both blowers were removed.

Refer to Fig. 3 and install the blower assembly on the engine as follows:

1. Affix a new blower housing gasket to the cylinder block with Scotch Grip rubber adhesive No. 4300, or equivalent, to prevent the gasket from shifting when the blower is lowered into position.

2. If removed, place a fuel rod cover tube hose and clamp on each fuel rod cover tube at each side of the governor housing and tighten the clamps.

3. Place the blower end plate cover seal ring and clamp on the end of the blower drive support.

4. Thread eyebolts in diagonally opposite tapped holes in the top of the blower housing. Then attach a rope sling and chain hoist to the eyebolts.

5. Lift the blower assembly at a slight angle and position it on top of the cylinder block, with the flange of the rear end plate cover inside the seal ring or hose.

6. Install loose the 7/16"-14 x 8-1/4" blower end plate bolts and special washers. Install loose the 3/8"-16 x 5-1/2" bolts and retaining washers at each side of the blower housing. Install the blower alignment tool J 24619 and position the blower so that the tool can be easily removed and re-installed. The blower will then be properly aligned.

NOTE: The lip at the bevelled end of the bolt retaining washer goes in the small recess in the blower housing just above the bolt slot.

7. With the alignment tool in place and the blower properly aligned, tighten the bolts as follows:

- a. Tighten the blower-to-block end plate bolts to 40-45 lb-ft (54-61 Nm) torque.
- b. Tighten the blower housing-to-block side angle bolts uniformly to 30-35 lb-ft (41-47 Nm) torque in 5 lb-ft (7 Nm) increments. Remove the alignment tool.
- c. Re-check the blower-to-block end plate bolts.

8. Place the blower rear end plate cover seal ring and hose clamp in position and tighten it.

NOTE: Current engines use a seal ring (.740" wide) that incorporates two raised edges which provide a groove to retain the clamp.

9. Connect the lubricating oil tube to the fitting in the blower drive support.

10. Insert the blower drive shaft through the blower drive hub and into the blower drive coupling (Fig. 1) and install the snap ring in the coupling. Then attach the flywheel housing cover to the flywheel housing.

11. Attach the tachometer drive adaptor, if used, to the blower. Then connect the tachometer drive cable to the drive adaptor.

12. Slide each fuel rod cover tube hose down on the

cover tubes attached to the cylinder heads and tighten the hose clamps.

13. Install the fuel rods between the cylinder heads and governor as follows:

- a. Insert the end of the left-bank fuel rod through the hole in the cylinder head and up through the fuel rod cover tube to the control link operating lever.
- b. Raise the connecting pin up in the connecting link lever. Insert the end of the fuel rod between the two bosses on the lever and insert the connecting pin through the fuel rod and into the lower boss.
- c. Connect the opposite end of the fuel rod to the injector control tube lever with a clevis pin and cotter pin.
- d. Insert the end of the right-bank fuel rod through the hole in the cylinder head and up through the fuel rod cover tube to the control link operating lever.
- e. Remove the short screw pin from the control link operating lever. Insert the end of the fuel rod between the two bosses on the lever and install the screw pin. Tighten the pin securely.
- f. Connect the opposite end of the fuel rod to the injector control tube lever with a clevis pin and cotter pin.

14. Affix a new gasket to the top of the governor housing. Place the governor cover assembly on the governor housing with the pin in the speed control or stop lever shaft assembly in the slot in the differential lever and the dowel pins in the housing in the dowel pin holes in the cover. Install the eight cover attaching screws and lock washers. Tighten the screws securely.

15. If the engine is equipped with a variable speed

governor, attach the governor booster spring to the speed control lever.

16. If the engine is equipped with a battery-charging alternator, attach the alternator and support bracket to the cylinder head and connect the wires to the alternator.

17. Install and connect the crossover fuel oil line to each cylinder head and connect the fuel oil lines to the fuel pump.

18. If removed, install the front engine lifter bracket.

19. Place the water by-pass tube between the two thermostat housings and slide the hoses part way on the thermostat housings. Position the by-pass tube so it clears the governor, fuel pump and fuel oil lines. Then tighten the hose clamps.

20. Attach the air shutdown adaptor to the blower and the air shutdown housing assembly to the adaptor as outlined in Section 3.3.

21. Connect the shutdown wire assembly to the air shut-off cam pin handle at the side of the air shutdown housing.

22. Install the turbocharger and attaching parts, if used (Section 3.5).

23. Connect the air cleaner to shutdown housing, or turbocharger, tubing as required (Section 3.1 or 3.5).

24. Connect the throttle control rods to the speed control and stop levers on the governor.

25. Attach any other accessories to the engine that were removed.

26. Close the drain cocks and fill the engine cooling system.

27. Perform the governor and injector rack control adjustment as outlined in Section 14. Check for and correct any coolant or oil leaks detected.

TURBOCHARGER (Airesearch)

The T18A40, T18A90, TV81 and T04B model turbochargers (Figs. 1 and 2) are designed to increase the over-all efficiency of the engine. Power to drive the turbocharger is extracted from the waste energy in the engine exhaust gas.

The turbocharger consists of a radial inward flow turbine wheel and shaft, a centrifugal compressor wheel, and a center housing which serves to support the rotating assembly, bearings, seals, turbine housing and compressor housing. The center housing has connections for oil inlet and oil outlet fittings.

The turbine wheel is located in the turbine housing and is mounted on one end of the turbine shaft. The compressor wheel is located in the compressor housing and is mounted on the opposite end of the turbine wheel shaft to form an integral rotating assembly.

The rotating assembly consists of a turbine wheel and shaft assembly, piston ring(s), thrust spacer or thrust collar, compressor wheel and wheel retaining nut. The rotating assembly is supported on two pressure lubricated bearings which are retained in the center housing by snap rings. Internal oil passages are drilled in the center housing to provide lubrication to the turbine wheel shaft bearings and the thrust bearing.

The turbine housing is a heat resistant alloy casting which encloses the turbine wheel and provides a flanged engine exhaust gas inlet and an axially-located turbocharger exhaust gas outlet. The T18A40, T18A90 and T04B turbine housing is bolted to the turbine end of the center housing and the TV81 turbine housing is

secured to the turbine end of the center housing with a "V" band coupling, thus providing a compact and vibration free assembly.

The compressor housing which encloses the compressor wheel provides an ambient air inlet and a compressed air discharge outlet. The T18A40, T18A90 and TV81 compressor housing is secured to the backplate assembly with a "V" band coupling. The T04B compressor housing is bolted to the backplate assembly. The backplate assembly is bolted to the compressor end of the center housing.

Operation

The turbocharger is mounted on the exhaust outlet flange of the engine exhaust manifold. After the engine is started, the exhaust gases flowing from the engine and through the turbine housing cause the turbine wheel and shaft to rotate (Fig. 3). The gases are discharged into the atmosphere after passing through the turbine housing.

The compressor wheel, which is mounted on the opposite end of the turbine wheel shaft, rotates with the turbine wheel. The compressor wheel draws in fresh air, compresses it and delivers high pressure air through the engine blower to the engine cylinders.

During operation, the turbocharger responds to the engine load demands by reacting to the flow of the engine exhaust gases. As the engine power output increases or decreases, the turbocharger responds to

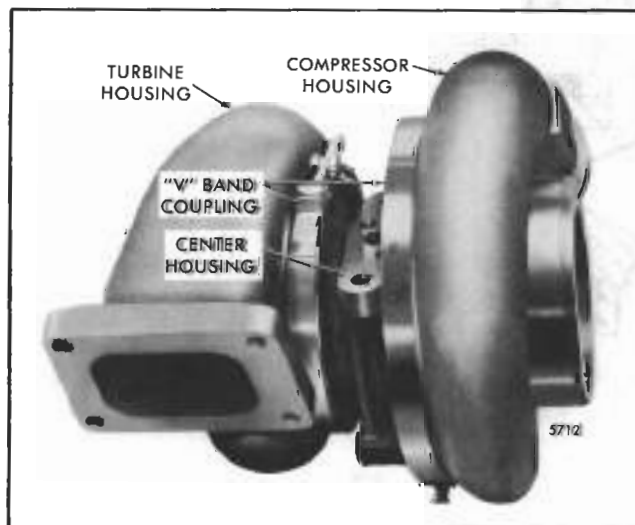


Fig. 1 - Typical Turbocharger Assembly

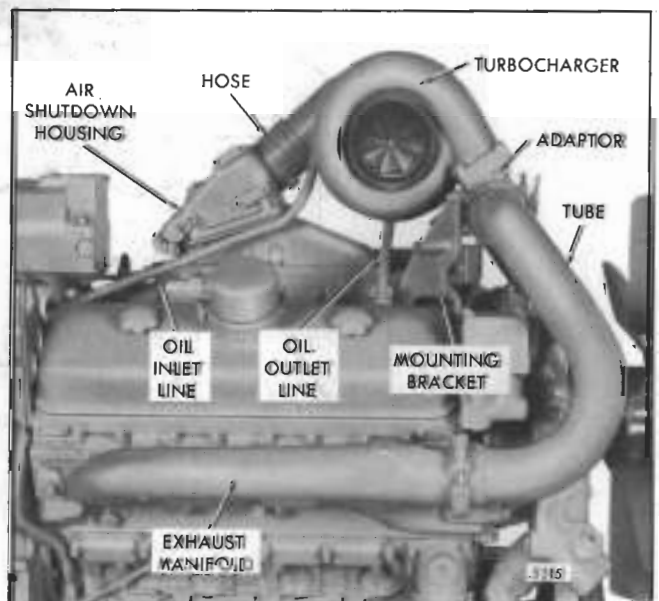


Fig. 2 - Typical Turbocharger Mounting

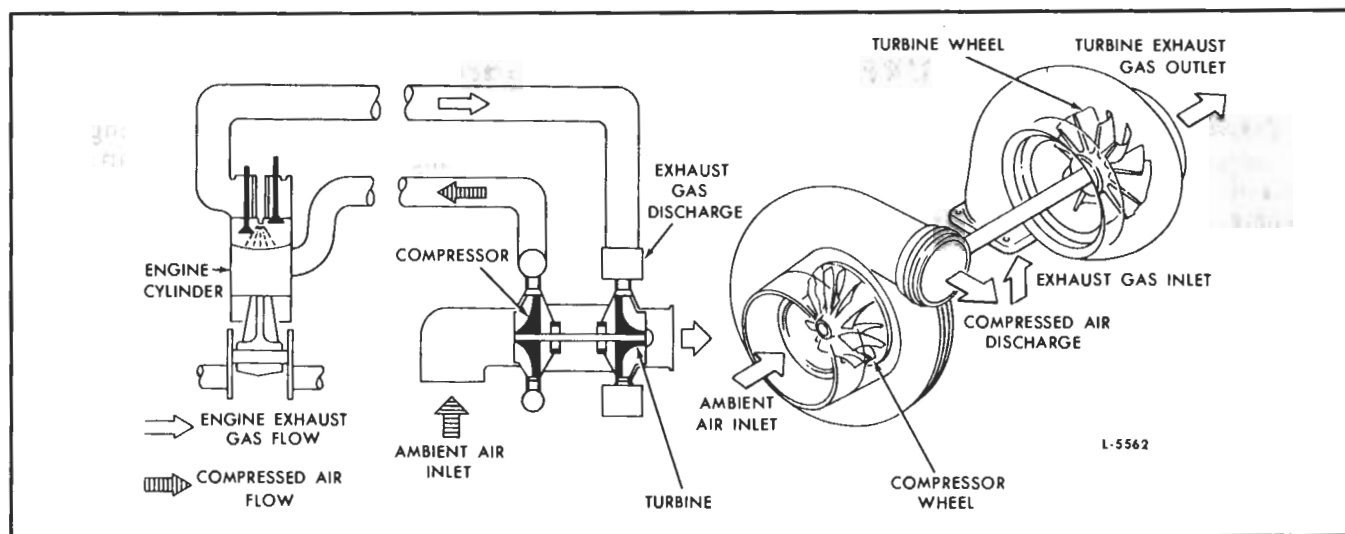


Fig. 3 - Schematic Air Flow Diagram

the engine's demand to deliver the required amount of air under all conditions.

Certain engines are equipped with an aftercooler to cool the air going into the engine, after it passes

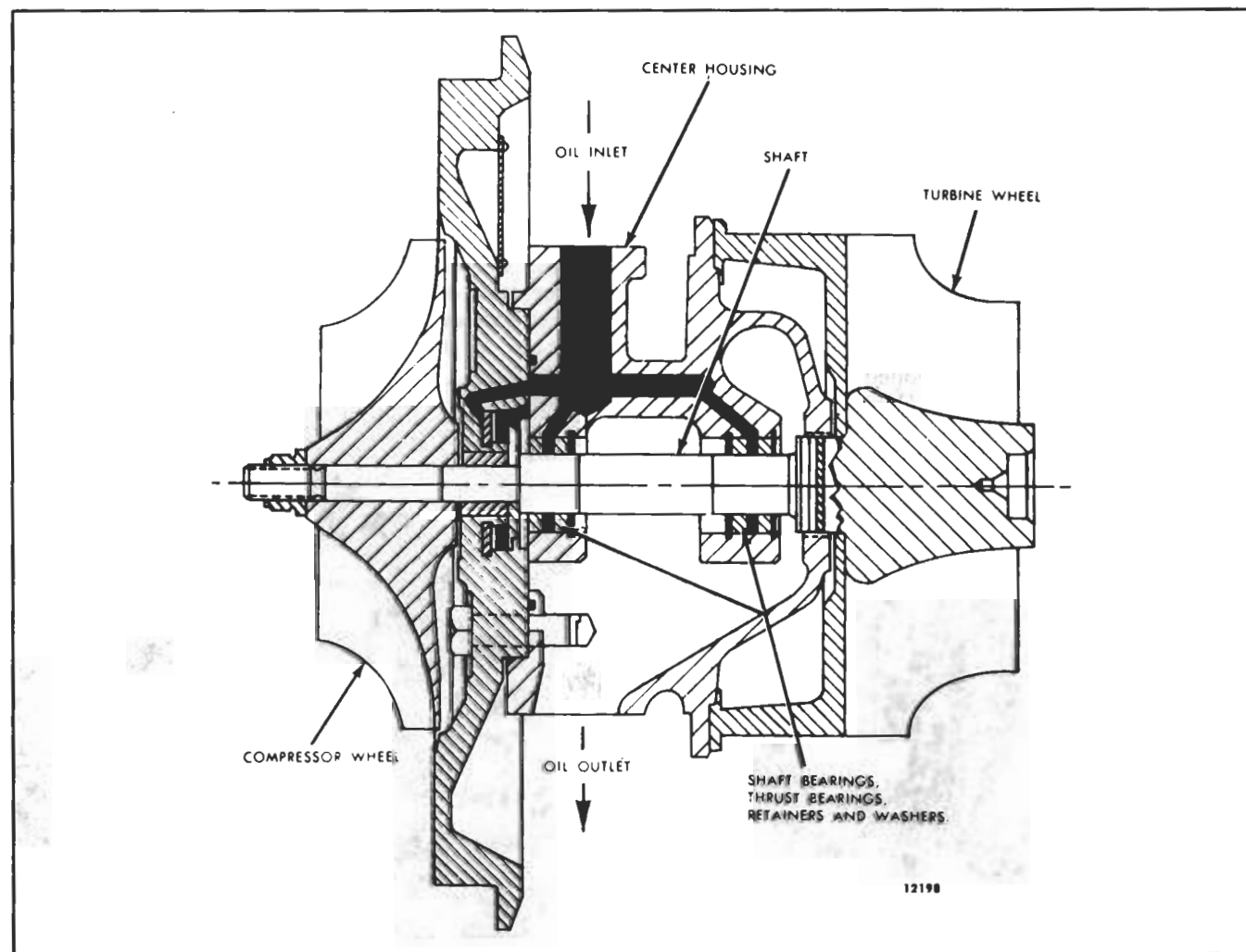


Fig. 4 - Typical Turbocharger Oil Flow Diagram

through both the turbocharger and the engine blower (refer to Section 3.5.3). Certain marine engines are equipped with an intercooler to cool the air going into the engine, after it passes through both the turbocharger and engine blower (refer to Section 3.5.2).

Lubrication

Lubricating oil for the turbocharger is supplied under pressure through an external oil line extending from the engine cylinder block to the top of the center housing. From the oil inlet in the center housing, the oil flows through the drilled oil passages in the housing to the shaft bearings and thrust bearings (Fig. 4). The oil returns by gravity to the engine oil pan through an external oil line extending from the bottom of the turbocharger center housing to the cylinder block.

NOTE: On OTM (optional turbocharger mounting) vehicle engines, the oil returns by gravity directly from the turbocharger through two drain holes in the blower end plate (front end plate for front mounted turbocharger or rear plate for rear mounted turbocharger) to lubricate the blower bearings and either the timing gears or the governor drive and fuel pump drive (refer to *Lubrication* in Section 3.4).

Before the initial start, when a new or overhauled turbocharger is installed, the turbocharger must be pre-lubricated as outlined under *Install Turbocharger*.

Periodic Inspection

Inadequate air filtering and excessive restrictions to air and exhaust flows will adversely affect turbocharger life and performance. Do not permit restriction levels to exceed the specified limits (refer to Section 13.2).

A periodic inspection of the turbocharger should be made along with an engine inspection.

Inspect the turbocharger mountings and check all of the air ducting and connections for leaks. Make the inspection with the engine running and with it shut down. Check for leaks at the manifold connection, the turbine inlet and exhaust manifold gasket.

CAUTION: Do not operate the engine if leaks are found in the turbocharger ducting or if the air cleaner is not filtering efficiently. Dust leaking into the air ducting can damage the turbocharger and the engine.

Remove the inlet duct to the turbocharger compressor

housing and check for carbon or dirt buildup on the impeller or in the housing. Excessive accumulations indicate either a leak in the ducting or a faulty air filtering system. Remove all such accumulations and determine and correct the cause. Refer to *Trouble Shooting Charts* (Fig. 5). Uneven deposits left on the compressor wheel can affect the balance and cause premature bearing failure.

CAUTION: Do not attempt to remove carbon or dirt buildup on the compressor or turbine wheels without removing the turbocharger from the engine. The blades on the wheels must be thoroughly cleaned. If chunks of carbon are left on the blades, an unbalanced condition would exist and subsequent failure of the bearings would result if the turbocharger is operated. However, it is not necessary to disassemble the turbocharger to remove dirt and dust buildup.

For proper operation, the turbocharger rotating assembly must turn free. Whenever the exhaust ducting is removed, spin the turbine wheel by hand. If it does not spin freely, refer to Chart 1 of Fig. 5. Inspect the compressor and turbine wheels for nicks or loss of material. Both wheels are precision balanced. A broken or bent blade can throw the rotating assembly out of balance and shorten the life of the turbocharger.

Inspect the oil inlet and oil return lines to make certain all of the connections are tight and that the lines are not dented or looped so that oil flow to and from the center housing is restricted. Looping the oil return lines disrupts gravity flow of the oil back to the engine.

CAUTION: Be sure the oil inlet lines are filled with oil and that they are clear of the turbine housings.

Check for signs of oil leaking from the turbocharger housings.

Lubricant applied under pressure to the center housing while the shaft is not turning may allow oil to enter the turbine and compressor housings. However, after the turbocharger has been operated for a time under load conditions and with the inlet restriction at normal, oil in these sections should disappear. If the oil does not disappear, refer to Chart 2 of Fig. 5.

Oil pull-over from an oil bath type air cleaner can also cause oil to enter the compressor housing. Check for a dirty air cleaner element or for too low viscosity oil in the air cleaner. Also, too small an air cleaner could create excessive air flow velocity and result in oil pull-over.

Evidence of oil in the inlet or outlet ducts or dripping

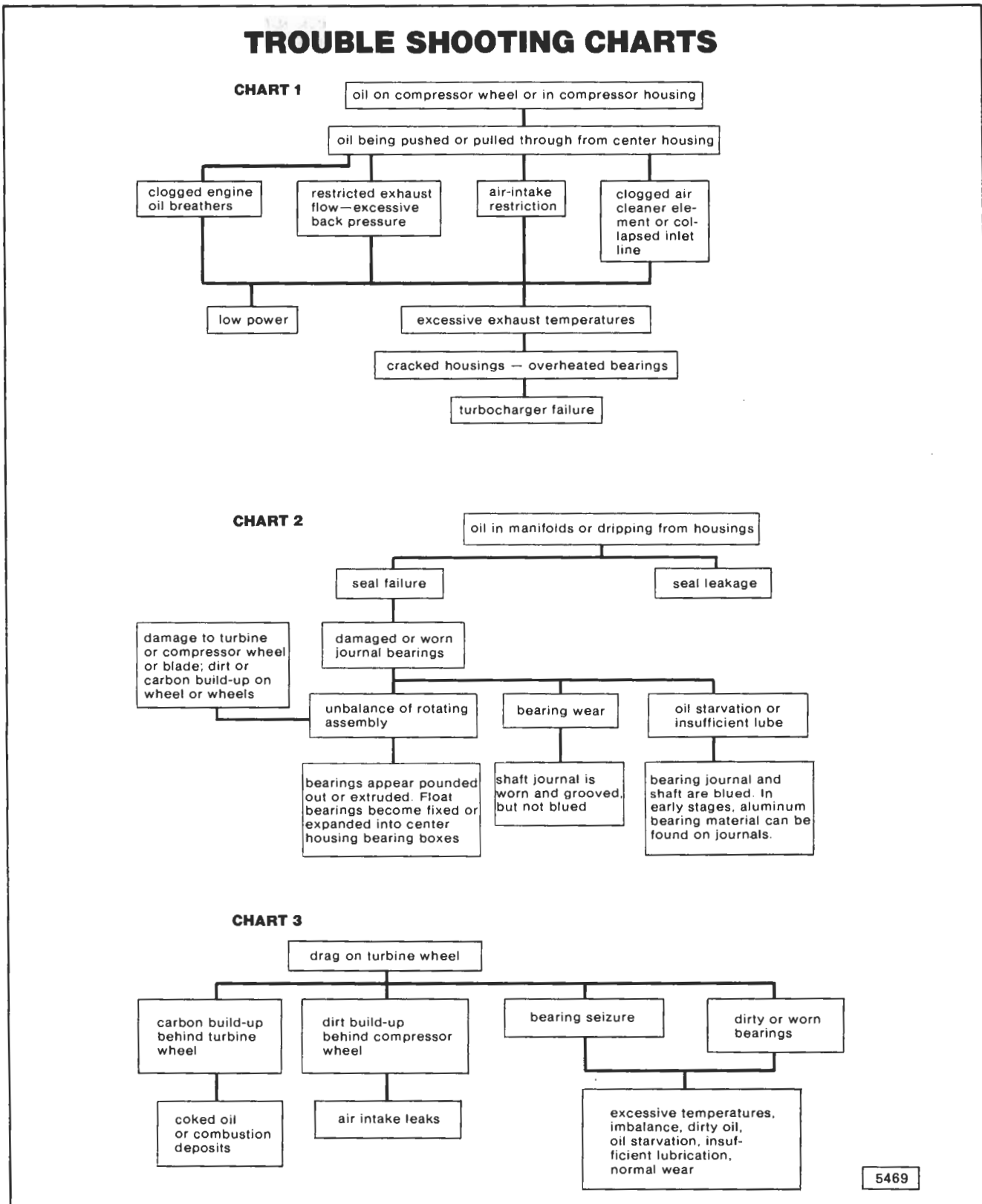


Fig. 5 - Inspection Checks for Turbocharger

from either housing indicates a seal problem that will

require overhaul of the turbocharger. Refer to Chart 3 of Fig. 5.

Tests show there are three conditions that contribute to oil seal leakage at the internal turbocharger oil seal.

1. A worn or defective oil seal, which must be replaced.

2. **High air inlet restriction (above specified limits).** This will cause oil to be pulled past the oil seal.

3. Long periods of operation where the engine is **being motored (using the engine as a braking device when going down a long hill).** This can also cause oil to **pass** by the oil seal.

To **confirm** oil leakage from one or more of these conditions, **remove the compressor housing** and inspect the backplate. **If the surface is wet with oil, it indicates leakage.**

If this test does not show leakage patterns, the oil seal assembly is good for normal operation. This simple test will allow some positive testing on each engine in all cases.

Turbocharger compressor end shaft oil seal effectiveness can be determined by the following procedure:

1. Determine that air inlet restriction is within the Detroit Diesel maximum limit. Refer to Section 13.2.

2. Be certain that the turbocharger oil drain line is unrestricted.

3. Be certain that the turbocharger has not obviously been damaged and in need of major repair.

4. Remove the air intake ducting. Inspect the inside of the ducting for evidence of oil. If oil is found in the intake system, determine the source before proceeding with the compressor seal test and also thoroughly remove oil from the intake. Some external sources of oil are oil bath air cleaners, air compressor line, or a leak near an oil source such as an engine breather, etc.

5. Remove the compressor housing from the turbocharger.

6. Thoroughly clean the internal surfaces of the compressor housing, impeller cavity behind the impeller, and the backplate annulus with suitable solvent spray and then dry completely with shop air.

7. **Spray** the backplate annulus with a light coating of **Spot-Check** developer type SKD-MF, or equivalent.

8. **Install** the compressor housing on the turbocharger **and reconnect** the inlet and outlet connections.

9. Warm up the engine to normal operating temperature.

10. Operate engine at no load at the governor limited high speed for approximately five minutes.

11. Return the engine to low idle and then stop it.

12. **Remove the intake duct and outlet hose and then remove the compressor housing.** Evidence of compressor end shaft seal oil leakage will be observed as oil streaks in the *Spot-Check* developer on the backplate annulus. This surface should be **completely free** of oil streaks after the test.

13. If leakage is detected, and oil **is positively** not entering through the intake duct, **then the turbocharger may be removed** from the engine and inspected for damaged components.

Remove Turbocharger

1. Disconnect the exhaust **manifold flange** or adaptor attached to the turbine housing.

NOTE: When removing the **left bank** exhaust manifold to turbocharger tube on the blower mounted turbochargers, **mark one** end of the tube for ease of **identification** when reinstalling the tube.

2. Disconnect the air inlet hose attached to the compressor housing.

3. Remove the oil inlet line from the top of the center housing.

4. Remove the oil outlet line from the bottom of the center housing.

5. Attach a chain hoist and a suitable lifting sling to the turbocharger assembly.

6. Remove the nuts and lock washers securing the turbocharger assembly to the mounting bracket. Then lift the turbocharger assembly away from the engine and place it on a bench.

7. Cover the end of each oil inlet and oil outlet line and the air inlet and exhaust outlet openings on the engine to prevent the entry of foreign material.

Disassemble T18A40, T18A90, TV81 and T04B Turbochargers

Clean the exterior of the turbocharger with a non-caustic cleaning solvent before disassembly and proceed as follows:

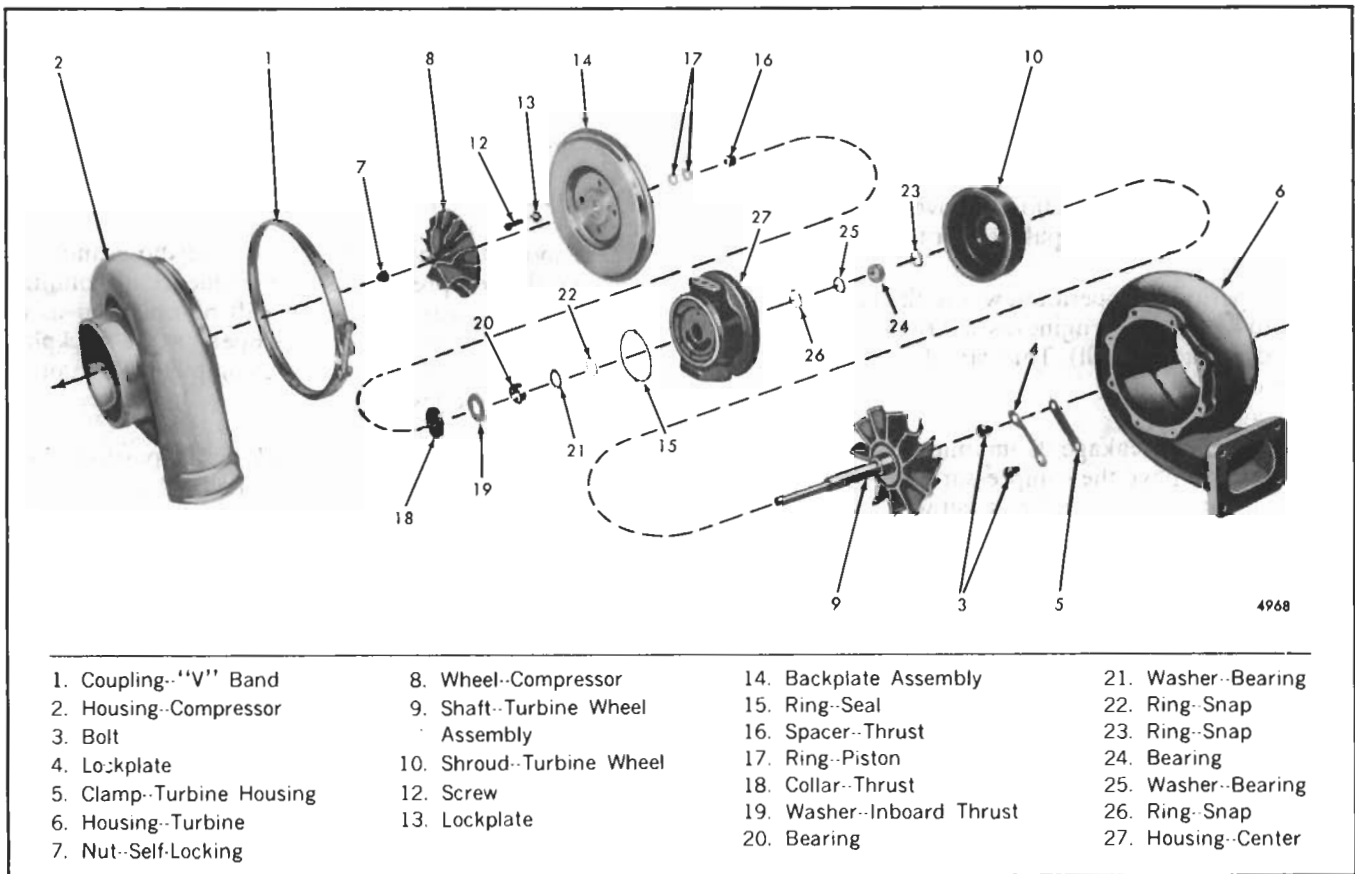


Fig. 6 - T18A40 and T18A90 Turbocharger Details and Relative Location of Parts

NOTE: Mark related positions of the compressor housing, center housing and turbine housing with a punch or scribe prior to disassembly to assure reassembly in the same relative position.

1. Refer to Fig. 6 or 7 and loosen the "V" band coupling (1) securing the compressor housing (2) to the backplate assembly (14) and remove the compressor housing and "V" band. Refer to Fig. 8 and remove the bolts and lockplates securing the compressor housing to the backplate assembly and remove the compressor housing.

CAUTION: Exercise care when removing the compressor housing and turbine housing to prevent damage to the compressor and turbine wheels.

2. With the T18A40, T18A90 and T04B turbochargers, bend down the ends of the lockplates (4) and remove the eight bolts (3) securing the four lockplates and turbine housing clamps (5) to the center housing (27) and turbine housing (6). With the TV81 turbocharger, loosen the "V" band coupling (28) securing the turbine housing (6) to the center housing (27). Remove the turbine housing from the center housing.

NOTE: Tap the housing with a soft hammer if force is needed for removal.

3. Position the turbine wheel (9) of the center housing assembly in a suitable holding fixture (Fig. 9). Remove the wheel nut (7) from the shaft.

NOTE: If a holding fixture is not available, clamp a suitable socket or box end wrench in a vise and place the extended hub on the shaft in the socket or wrench. Hold the center housing upright and remove the wheel nut from the shaft.

CAUTION: To prevent the possibility of bending the turbine wheel shaft, remove the compressor wheel nut from the shaft with a double universal socket and tee handle.

4. Lift or press the compressor wheel (8) from the wheel shaft assembly (9).

5. Withdraw the wheel shaft assembly (9) from the center housing. The wheel shroud (10), which is not retained, will fall free when the wheel shaft is removed.

6. With TV81 and T04B turbochargers, remove and

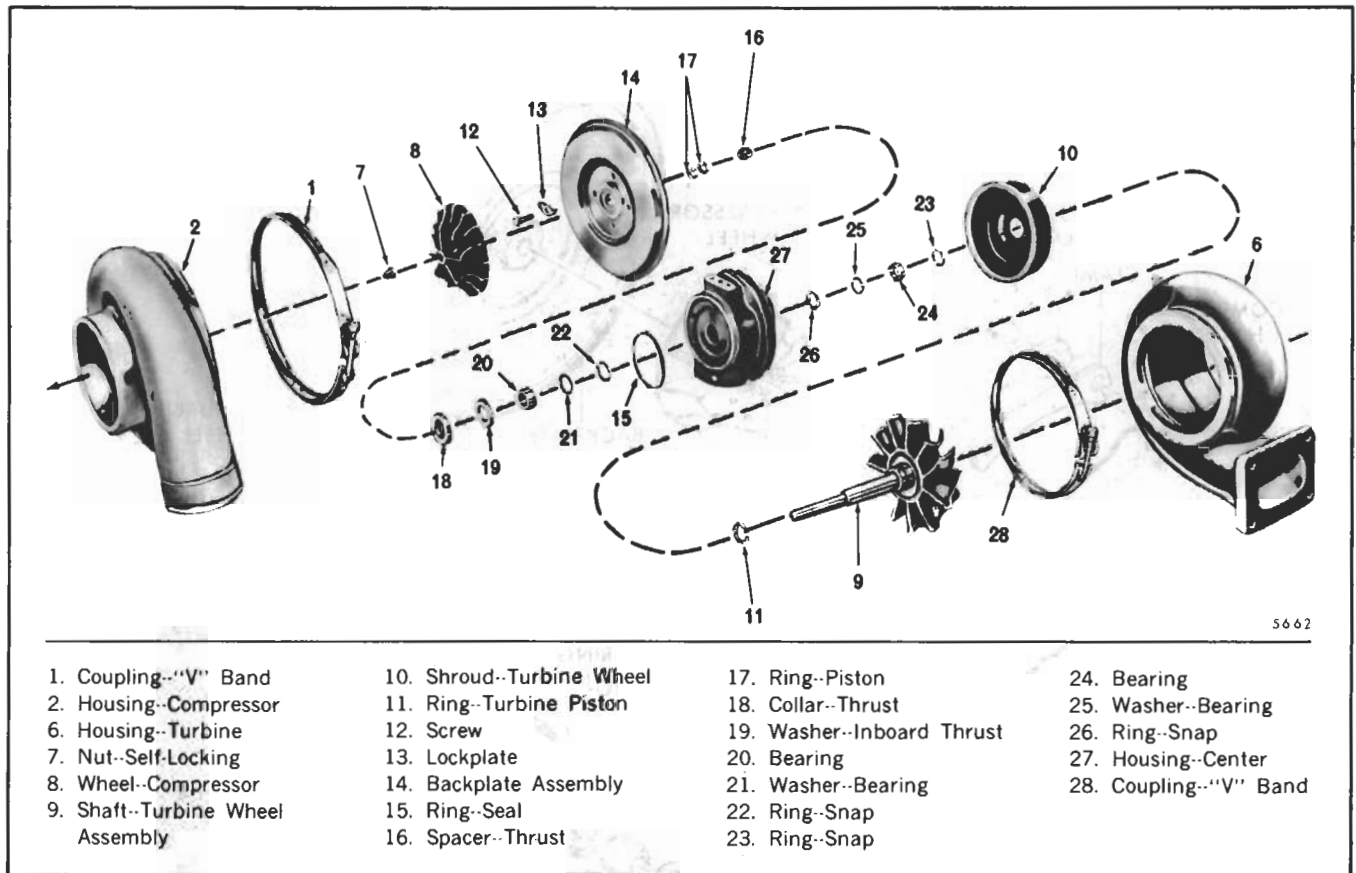


Fig. 7 - TV81 Turbocharger Details and Relative Location of Parts

discard the turbine piston ring (11) from the wheel shaft.

7. Bend down the lock tabs and remove the four bolts (12) and lockplates (13) securing the backplate assembly (14) to the center housing (27) and remove the backplate assembly. Do not disassemble the backplate assembly. Also, do not remove the pins from the center housing, unless it is necessary to replace the pins.

NOTE: Tap the backplate lightly to remove it from the center housing recess.

8. Remove and discard the seal ring (15) from the groove in the center housing.

9. Remove the thrust spacer (16) -- thrust bearing for T04B turbocharger -- and piston ring(s) (17) from the backplate assembly. Discard the piston ring(s).

10. Remove the thrust collar (18), inboard thrust bearing (19) if used, bearing (20), bearing washer (21) if used and snap ring (22) from the center housing. Discard the thrust bearing, bearing, washer and snap ring.

11. Remove the snap ring (23), bearing (24), bearing washer (25) if used and snap ring (26) from the opposite end of the center housing. Discard the snap rings, bearing and washer.

Cleaning

Before cleaning, inspect the parts for signs of burning, rubbing or other damage which might not be evident after cleaning.

Soak all parts in a non-caustic cleaning solvent for about 25 minutes. After soaking, use a stiff bristle brush and remove all dirt particles. Dry all of the parts thoroughly.

WARNING: Never use a caustic cleaning solution for cleaning as this will damage certain parts. Use the cleaning solution in an open or well ventilated area. Avoid breathing the fumes to avoid the possible toxic effect of the cleaning solvent. Keep away from open flames to avoid the possibility of a fire. Do not use a wire brush or a steel blade scraper to clean the parts.

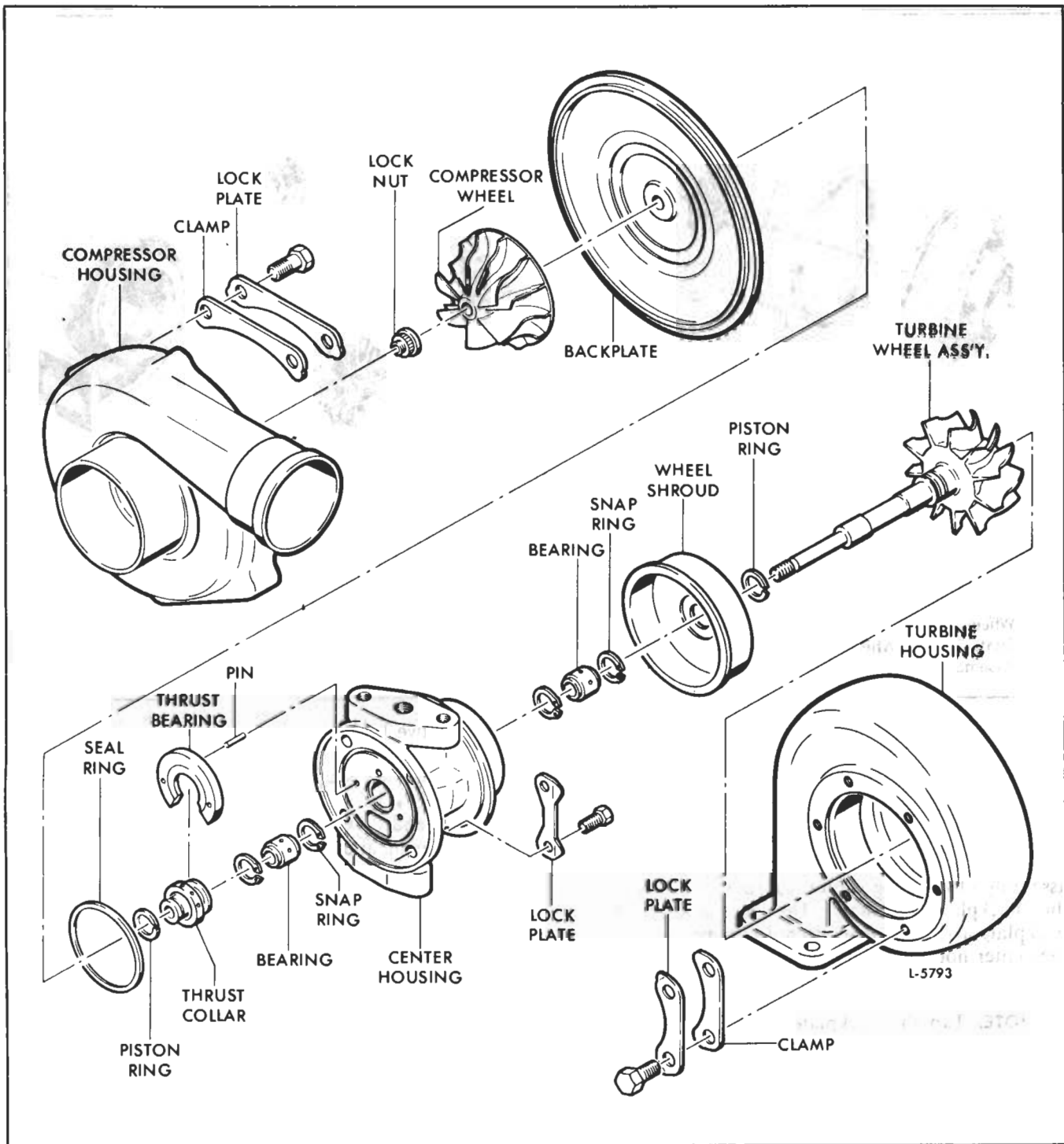


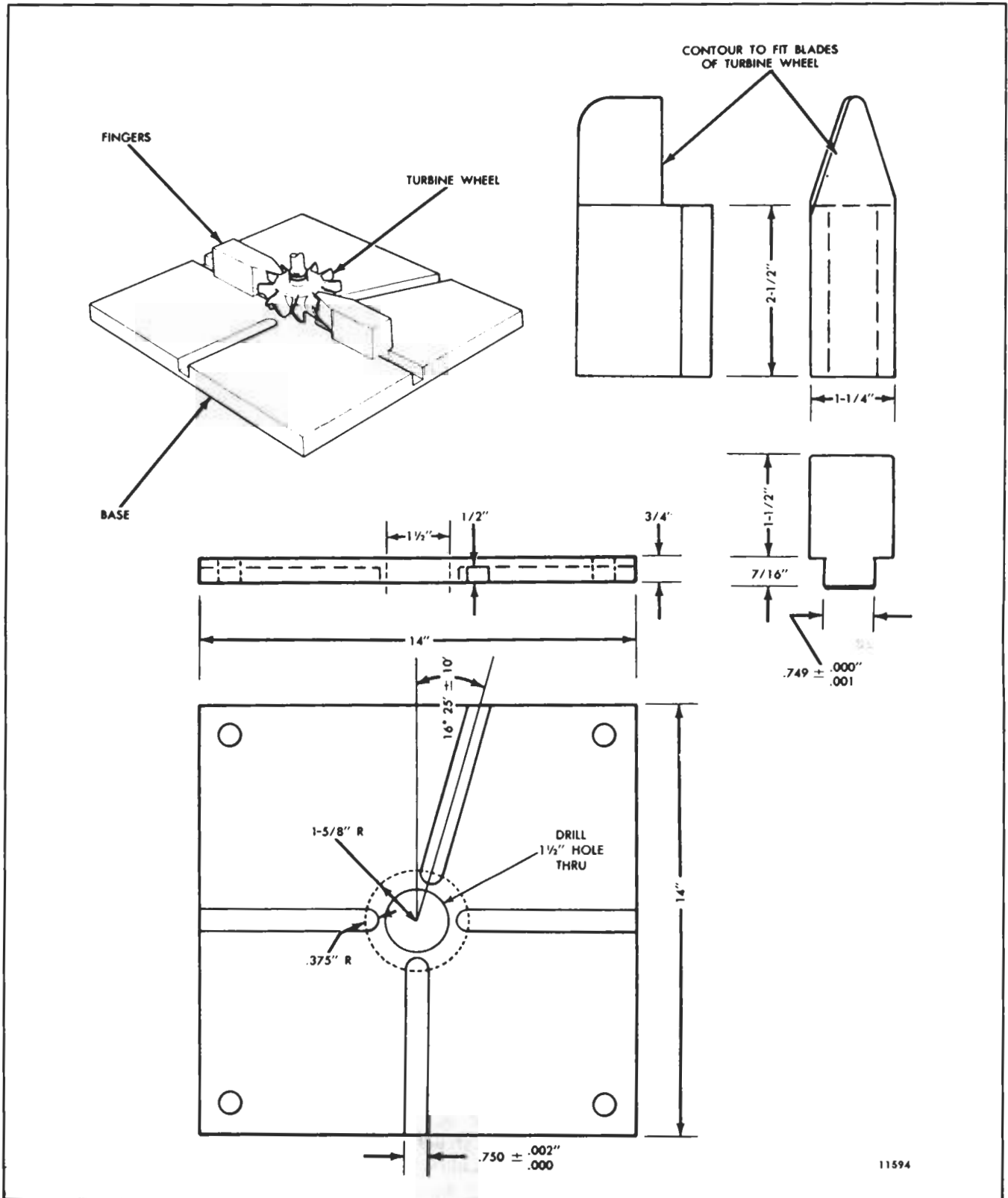
Fig. 8 - T04B Turbocharger Details and Relative Location of Parts

Make sure that both wheel blades are thoroughly clean. Deposits left on the blades will affect the balance of the rotating assembly.

Clean all of the internal cavities and oil passages in the center housing thoroughly with dry compressed air.

Clean the oil passage in the backplate assembly and the housing thrust plate with dry compressed air.

Remove the oil inlet and outlet lines from the engine and thoroughly clean the oil lines inside and out. An oil line that is dented or crimped enough to restrict the flow of oil must be replaced.



11594

Fig. 9 - Turbocharger Holding Fixture

Inspection

Inspect all of the parts for signs of damage, corrosion or deterioration. Check for nicked, crossed or stripped threads.

Visually check the turbine wheel shroud and turbine wheel for signs of rubbing. For shaft bearing journal dimensions and wear limits, refer to Section 3.0.

Inspect the shaft for signs of scoring, scratches or bearing seizure.

Check the compressor wheel for signs of rubbing or damage from foreign material. Check to see that the wheel bore is not galled. The wheel must be free of dirt and other foreign material.

Inspect the seal parts for signs of rubbing or scoring of the running faces.

Inspect the backplate assembly for wear or damaged bore (piston ring groove).

Inspect the housing for contact with the rotating parts. The oil and air passages must be clean and free of obstructions.

Inspect the exhaust outlet elbow seal ring for signs of wear or breakage.

Minor surface damage may be burnished or polished. Use a Silicone Carbide abrasive cloth for aluminum parts or a crocus abrasive cloth for steel parts.

It is recommended that the seal ring, piston rings, thrust bearings, bearing washers, snap rings, lockplates and bolts be replaced at time of disassembly. The backplate must be replaced if the thrust bearing is excessively worn.

Assemble Turbocharger**T18A40, T18A90 and TV81 Turbochargers**

Check each part prior to installation to ensure cleanliness. As the parts are assembled, cover the openings to prevent entry of dirt or other foreign material.

Refer to Figs. 6 and 7 for parts orientation and proceed as follows:

1. Lubricate the new bearings (20 and 24) with clean engine oil.
2. Install a new snap ring (26), bearing washer (25), bearing (24) and snap ring (23) in the turbine end of the center housing (27).

3. Install a new snap ring (22), bearing washer (21) and bearing in the compressor end of the center housing.

4. Install a new piston ring(s) (17) on the thrust spacer (16) and gently insert the spacer into the backplate assembly (14).

NOTE: The current thrust spacer (16) has two grooves. When replacing the former one groove spacer with the two groove spacer, be sure and include two piston rings.

CAUTION: Do not force the piston ring(s) into place.

5. Make sure the compressor bearing is in place, then position the new inboard thrust washer (19) flat against the center housing with the hole and cutout in the thrust washer in alignment with the pins in the center housing.

6. Install the thrust collar (18) snugly against the thrust washer. Lubricate the thrust collar and thrust washer with clean engine oil.

7. Install a new seal ring (15) in the groove at the compressor end of the center housing.

8. Align the oil feed holes in the center housing (27) and the backplate assembly (14) and attach the backplate to the center housing with four bolts (12) and new lockplates (13). Tighten the T18A bolts to 90-110 lb-in (10-12 Nm) torque or the TV81 bolts to 80-100 lb-in or (9-11 Nm) torque and bend the lockplate tangs up against the side of the bolt heads.

CAUTION: If a new backplate with a warning plate is inadvertently installed, the warning plate must be removed and the three drive screw holes plugged to prevent air leakage.

9. On TV81 turbochargers, install a new turbine piston ring (11) on the wheel shaft assembly.

NOTE: Before installing the piston ring, fill the piston ring groove with Dow Corning High Vacuum Silicone grease, or equivalent.

10. Position the wheel shroud (10) against the center housing (27) and insert the wheel shaft assembly (9) through the wheel shroud and into the center housing. Lubricate the wheel shaft assembly journal prior to assembly.

CAUTION: Be careful not to scuff or scratch the bearings when installing the shaft.

11. Place the turbine wheel shaft assembly, shroud,

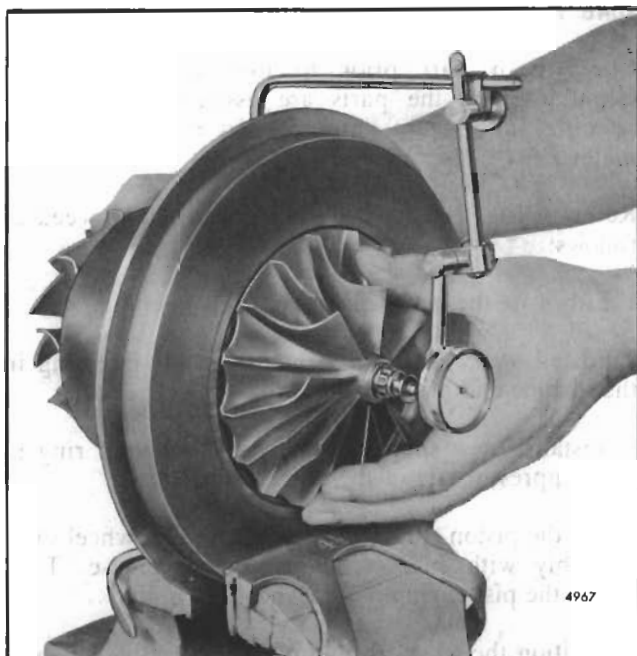


Fig. 10 - Checking Bearing Axial End Play

center housing and backplate upright in a suitable holding fixture as shown in Fig. 9.

NOTE: If a holding fixture is not available, clamp a suitable socket or box wrench in a vise and place the extended hub on the shaft in the socket or wrench.

12. With the compressor wheel at room temperature, position it over the shaft.

13. Lightly lubricate the shaft threads and wheel face that will be under the nut with engine oil and install the retaining nut. Tighten the nut to 125-150 **lb-in** (14-17 Nm) torque to seat the compressor wheel against the thrust spacer.

14. Loosen the nut and inspect the nut face and the front face of the compressor wheel to be sure they are smooth and clean.

15. Re-tighten the nut to 35-55 **lb-in** (4-6 Nm) torque.

16. Continue to tighten the retaining nut until the shaft increases .007"-.008" in length (T18A40) or .009"-.010" in length (T18A90, TV81).

CAUTION: Tighten the retaining nut in such a manner as not to impose bending load on the shaft.

NOTE: If equipment is not available to measure the shaft stretch, tighten the wheel retaining nut to 35-55 **lb-in** (4-6 Nm) torque. Then continue to tighten the nut through an angle of 100-110°

turn for the T18A40 or 120-130° turn for the T18A90 and TV81 (90° = 1/4 turn).

17. Check the bearing axial end play:

- a. Clamp the center housing assembly in a bench vise equipped with soft jaws as shown in Fig. 10.
- b. Fasten the dial indicator and magnetic base (J 7872-2) to the center housing so that the indicator tip rests on the end of the rotating shaft on the compressor side (Fig. 10).
- c. Move the shaft axially back and forth by hand. The total indicator reading (thrust float) should be .004" to .009" (T18A40 and T18A90) or .003" to .010" (TV81). If the total dial indicator readings do not fall within the specified limits, repair or replace the rotating assembly.

18. Position the turbine housing (6) as marked at disassembly against the center housing (27) and secure it in place.

- a. Secure the T18A40 and T18A90 turbine with four clamps (5), four new lockplates (4) and eight bolts (3). Tighten the bolts to 100-110 **lb-in** (11-12 Nm) torque and bend the tabs of the lockplates up against the bolts.
- b. Secure the TV81 turbine housing with the "V" band coupling (28). Tighten the toggle nut as follows:
 1. Lubricate the toggle bolt threads with a high temperature anti-seize compound such as Jet Lube (Mil Spec A-907D), or equivalent.
 2. Tighten the nut on the "V" band toggle bolt to approximately 160 **lb-in** (18 Nm) torque.

CAUTION: Do not pull a misaligned turbine housing into alignment with the "V" band coupling. The parts must be aligned and seated first.

3. Loosen the "V" band coupling nut to approximately 50 **lb-in** (6 Nm) torque, then re-torque the nut to 110-130 **lb-in** (12-15 Nm) torque.

19. Position the compressor housing (2) as marked at disassembly against the backplate assembly (14) and secure it in place with the "V" band coupling (1). Lightly lubricate the threads of the toggle bolt with engine oil and tighten the nut to 110-130 **lb-in** (12-15 Nm) torque.

20. Check the shaft radial movement:

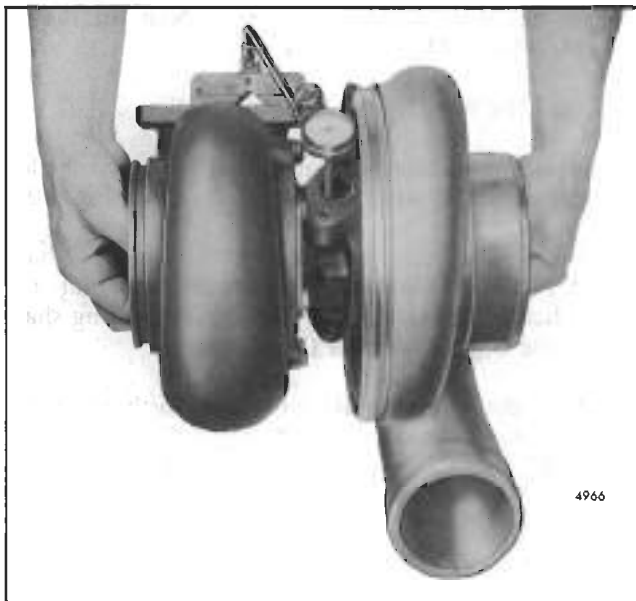


Fig. 11 - Checking Shaft Radial Movement

- a. Position the magnetic base J 7872-2 with the swivel adaptor J 7872-3 on the flat surface of the turbine housing inlet flange as shown in Fig. 11.
- b. Fasten the dial indicator extension rod J 7872-1 to the dial indicator J 8001-3 and attach the dial indicator to the swivel adaptor.
- c. Insert the extension rod J 7872-1 into the oil drain tube mounting pad opening so that the rod is against the wheel shaft and is perpendicular to the shaft.

CAUTION: Make sure the extension rod does not make contact with the sides of the center housing, otherwise it will be impossible to obtain an accurate reading.

- d. Grasp each end of the rotating assembly (Fig. 11) and, applying equal pressure at each end, move the rotating shaft first toward and then away from the dial indicator, creating a transverse movement in the shaft. The dial indicator displacement should be between .003" and .007". If the displacement does not fall within these limits, disassemble and repair or replace the rotating assembly.

21. If it is to be stored, lubricate the unit internally and install protective covers on all openings.

22. Stamp the letter "R" in the lower left-hand corner of the name plate to identify that the turbocharger has been reworked.

T04B Turbocharger

Check each part prior to installation to ensure cleanliness. As the parts are assembled, cover the openings to prevent entry of dirt or other foreign material.

Refer to Fig. 8 for parts orientation and proceed as follows:

1. Lubricate the new bearings with clean engine oil.
2. Install a new snap ring, bearing and snap ring in the turbine end of the center housing.
3. Install a new snap ring, bearing and snap ring in the compressor end of the center housing.
4. Fill the piston ring groove in the turbine wheel shaft assembly with high vacuum silicone grease. Then install the piston ring on the wheel assembly.
5. Position the wheel shroud on the wheel of the shaft assembly and insert the shaft assembly into the center housing as far as it will go.

CAUTION: Be careful not to scuff or scratch the bearings when installing the shaft and do not force the piston ring into the center housing bore.

6. Place the turbine wheel shaft assembly, shroud and center housing upright in a suitable holding fixture as shown in Fig. 9.

NOTE: If a holding fixture is not available, clamp a suitable socket or box wrench in a vise and place the extended hub on the shaft in the socket or wrench.

7. Lubricate the thrust collar and thrust bearing with clean engine oil and install the thrust collar on the shaft of the turbine wheel assembly. Then install the thrust bearing in the groove of the collar and slide the assembled parts down against the center housing so that the pins engage the holes in the thrust bearing.

8. Install a new piston ring on the thrust collar.

CAUTION: To avoid breakage, do not force the piston ring into place.

9. Install a new seal ring in the groove at the compressor end of the center housing.

10. Install the backplate assembly over the shaft and carefully guide the piston ring on the shaft into the backplate bore, ring gap first.

11. Align the oil feed holes in the center housing and

the backplate assembly and attach the backplate to the center housing with bolts and new lockplates. Tighten the bolts to 75-90 **lb-in** (8-10 Nm) torque and bend the lockplate tabs up against the side of the bolt heads.

CAUTION: If a new backplate with a warning plate is inadvertently installed, *the warning plate must be removed and the three drive screw holes plugged to prevent air leakage.*

12. With the compressor wheel at room temperature, position it over the shaft.

13. Lightly lubricate the shaft threads and wheel face that will be under the nut with engine oil and install the locknut on the shaft. Tighten the nut to 18-20 **lb-in** (2 Nm) torque above the drag torque required to bottom the locknut.

NOTE: Bottoming of the locknut will be indicated by the sharp increase above the drag torque observed while running the nut down.

14. Re-tighten the locknut through an angle of 90°. This additional tightening will result in stretching the shaft .0055" to .0065" in length.

CAUTION: Tighten the retaining nut in such a manner as not to impose a bending load on the shaft.

15. Check the bearing axial end play:

- a. Clamp the center housing assembly in a bench vise equipped with soft jaws as shown in Fig. 10.
- b. Fasten the dial indicator and magnetic base (J 7872-2) to the center housing so that the indicator tip rests on the end of the rotating shaft on the compressor side (Fig. 10).
- c. Move the shaft axially back and forth by hand. The total indicator reading should be between .004" and .009". If the total dial indicator readings do not fall within the specified limits, repair or replace the rotating assembly.

16. Position the turbine housing as marked at disassembly against the center housing and secure it in place with clamps, new lockplates and bolts. Tighten the bolts to 100-130 **lb-in** (11-15 Nm) torque and bend the tabs of the lockplates up against the bolts.

17. Position the compressor housing as marked at disassembly against the center housing and secure it in place with clamps, new lockplates and bolts. Tighten the bolts to 100-130 **lb-in** (11-15 Nm) torque and bend the tabs of the lockplates up against the bolts.

18. Check the shaft radial movement:

- a. Position the magnetic base J 7872-2 with the swivel adaptor J 7872-3 on the flat surface of the turbine housing inlet flange as shown in Fig. 11.
- b. Fasten the dial indicator extension rod J 7872-1 to the dial indicator J 8001-3 and attach the dial indicator to the swivel adaptor.
- c. Insert the extension rod J 7872-1 into the oil drain tube mounting pad opening so that the rod is against the wheel shaft and is perpendicular to the shaft.

CAUTION: Make sure the extension rod does not make contact with the sides of the center housing, otherwise it will be impossible to obtain an accurate reading.

- d. Grasp each end of the rotating assembly (Fig. 11) and, applying equal pressure at each end, move the rotating shaft first toward and then away from the dial indicator, creating a transverse movement in the shaft. The dial indicator displacement should be between .003" and .007". If the displacement does not fall within these limits, disassemble and repair or replace the rotating assembly.

19. If it is to be stored, lubricate the unit internally and install protective covers on all openings.

20. Stamp the letter "R" in the lower left-hand corner of the name plate to identify that the turbocharger has been reworked.

Install Turbocharger

If a turbocharger is to be installed on a new or overhauled engine, operate the engine for approximately one hour before the turbocharger is installed. This must be done to ensure that no foreign material is carried from the engine into the turbocharger lubrication system.

1. Attach a chain hoist and a suitable lifting sling to the turbocharger assembly.

2. Remove the covers from the air inlet and exhaust outlet openings on the engine that were placed over the openings when the turbocharger was removed.

NOTE: On TV81 turbochargers, be sure gaskets are installed at the three mounting bracket to flywheel housing attaching bolts.

3. Place the turbocharger assembly into position on the mounting bracket. Use a new gasket between the exhaust manifold adaptor and the turbine housing flange.

CAUTION: When attaching the exhaust flange or adaptor to the turbine housing, be sure the inner diameter of the flange or adaptor is the same as the turbine housing inner diameter. The turbine opening in the T18A40 turbocharger is 3.850", the T18A90 turbocharger is 4.250", the TV81 turbocharger is 3.892" and in the T04B turbocharger the diameter is 2.581".

4. Secure the turbocharger to the mounting bracket with bolts, lock washers and nuts. Tighten the nuts just enough to hold the turbocharger tight against the bracket.

IMPORTANT: When self-locking nuts are used to secure the turbocharger to the mounting bracket, be sure there is full thread engagement (at least one full thread above the nut) of the self-locking nuts on the bolts.

5. Slide the blower air inlet tube hose over the compressor housing outlet opening and secure it in place with the hose clamps.

6. When installing the left bank exhaust manifold to turbocharger tube on a blower mounted turbocharger, it is very important that the tube is installed correctly. If the tube is installed incorrectly, it can crack in the flange area and adversely affect performance.

The solid left bank tube is almost symmetrical, thus it is difficult to identify which end goes where. Therefore, position the tube between the exhaust manifold and the turbocharger and check to determine that the conical seat at each end of the tube is a flush fit with the openings. If not, reverse the position of the tube and recheck to be sure each end of the tube is a flush fit with the openings.

To help in the installation of the tube, loosen the exhaust manifold mounting bolts and then tighten them alternately while tightening the tube clamps.

NOTE: Be sure the exhaust manifold remains seated on the locating pads on the cylinder head.

7. Tighten the turbocharger to exhaust manifold adaptor bolts securely. Then remove the chain hoist and lifting sling from the turbocharger.

8. Install the oil drain line between the opening in the

bottom side of the center housing and the cylinder block.

9. Attach the oil inlet line to the cylinder block.

10. After installing a rebuilt or new turbocharger, it is very important that all moving parts of the turbocharger center housing be lubricated as follows:

- a. Clean the area and disconnect the oil inlet (supply) line at the bearing (center) housing (Fig. 4).
- b. Fill the bearing housing cavity with clean engine oil. Turn the rotating assembly by hand to coat all of the internal surfaces with oil.
- c. Add additional clean engine oil to completely fill the bearing housing cavity and re-install the oil line. Clean off any spilled oil.
- d. Start and run the engine at idle until oil pressure and supply has reached all of the turbocharger moving parts. A good indicator that all of the moving parts are getting lubrication is when the oil pressure gage registers pressure (10 psig or 60 kPa at idle speed).

WARNING: Do not hold the compressor wheel, for any reason, while the engine is running. This could result in personal injury.

The free floating bearings in the turbocharger center housing require positive lubrication. This is provided by the above procedure *before the turbocharger reaches its maximum operating speed* which is produced by high engine speeds. Starting any turbocharged engine and accelerating to any speed above idle before engine oil supply and pressure has reached the free floating bearings can cause severe damage to the shaft and bearings of the turbocharger.

11. Check all connections, ducts and gaskets for leaks.

12. Operate the engine at rated output and listen for sounds of metallic contact from the turbocharger. If any such noise is apparent, stop the engine immediately and correct the cause.

NOTE: After the turbocharger has been operating long enough to permit the unit and the oil to warm up, the rotating assembly should coast freely to a stop after the engine is stopped. If the rotating assembly jerks to a sudden stop, the cause should be immediately determined and eliminated.

TURBOCHARGER INTERCOOLER

An intercooler (Fig. 1) is placed between the air discharge side of each turbocharger and the air inlet side of the engine blower. The intercooler is used to reduce the temperature of the compressed air leaving the turbocharger before it reaches the blower. This permits a more dense charge of air to be delivered to the engine.

Cooling is accomplished by a raw water pump driven off the rear end of the engine supplying water to the intercooler. The water makes six passes through the core and is discharged from the connection diagonally opposite the inlet. The air from the turbocharger enters the finned side of the intercooler at the face opposite the water inlet, and flows counterflow to the direction of water flow through the core.

The coolant circulated through the intercoolers of a turbocharged intercooled engine is protected by a cone-shaped 20 mesh water filter (screen). The filter is located at the water connection in the water pump to engine oil cooler tube. Refer to Section 15.1 for service and preventive maintenance.

Remove Intercooler

1. Drain the raw water system.
2. Disconnect the air and water inlet hose connections at the air shutdown housing, the turbocharger and the intercooler.
3. Remove the intercooler air inlet housing and then remove the intercooler from the air outlet housing. Discard the gaskets.

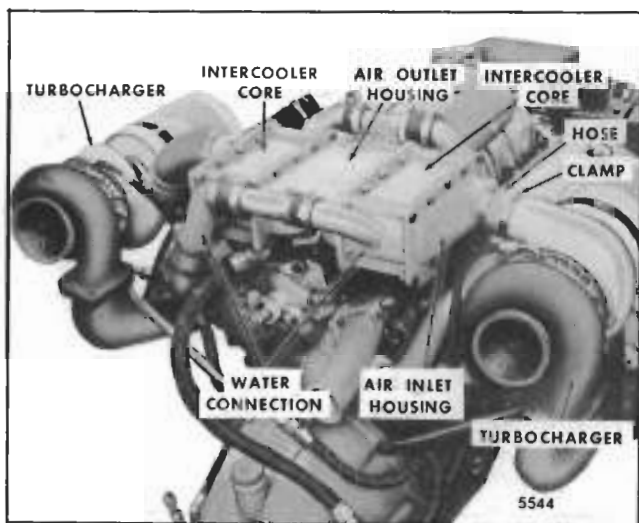


Fig. 1 - Turbocharger Intercooler Mounting

Clean Intercooler

Check all of the core tubes to be sure they are free from obstructions.

If the tubes contain dirt or any other foreign material, they can be cleaned with a small brush or the use of a suitable solvent cleaning solution. Thoroughly flush out the core with water to remove any foreign material and the solvent.

Use new gaskets and re-assemble the intercooler by reversing the disassembly procedure.

Disassemble Intercooler

1. Remove the two bolts and lock washers and withdraw the drain adaptor with the drain cock from the drain hole below the intercooler outlet connector (Fig. 2).
2. Remove three bolts and lock washers from each connector and withdraw the inlet and outlet connectors straight out from the intercooler. Remove and discard the gaskets.
3. Remove the drain, inlet and outlet tubes and seal rings from the water openings in the intercooler. Remove and discard the two seal rings on each tube.
4. Remove the four cross-head screws from the intercooler adaptor plate, then remove the plate and discard the seal ring.
5. Remove the top one-piece felt pad.
6. Lift the intercooler core straight up and out of the housing.
7. If necessary, remove the eight upright felt pads for cleaning.

Inspection

Clean all of the parts thoroughly and dry them with compressed air.

Clean the intercooler core by immersing it in a scale solvent consisting of 1/2 pound of oxalic acid to each 2-1/2 gallons of a solution composed of 1/3 muriatic acid and 2/3 water. The cleaning action is evident by the bubbling and foaming. Carefully observe the process and remove the intercooler core from the solution when the bubbling stops (this generally takes

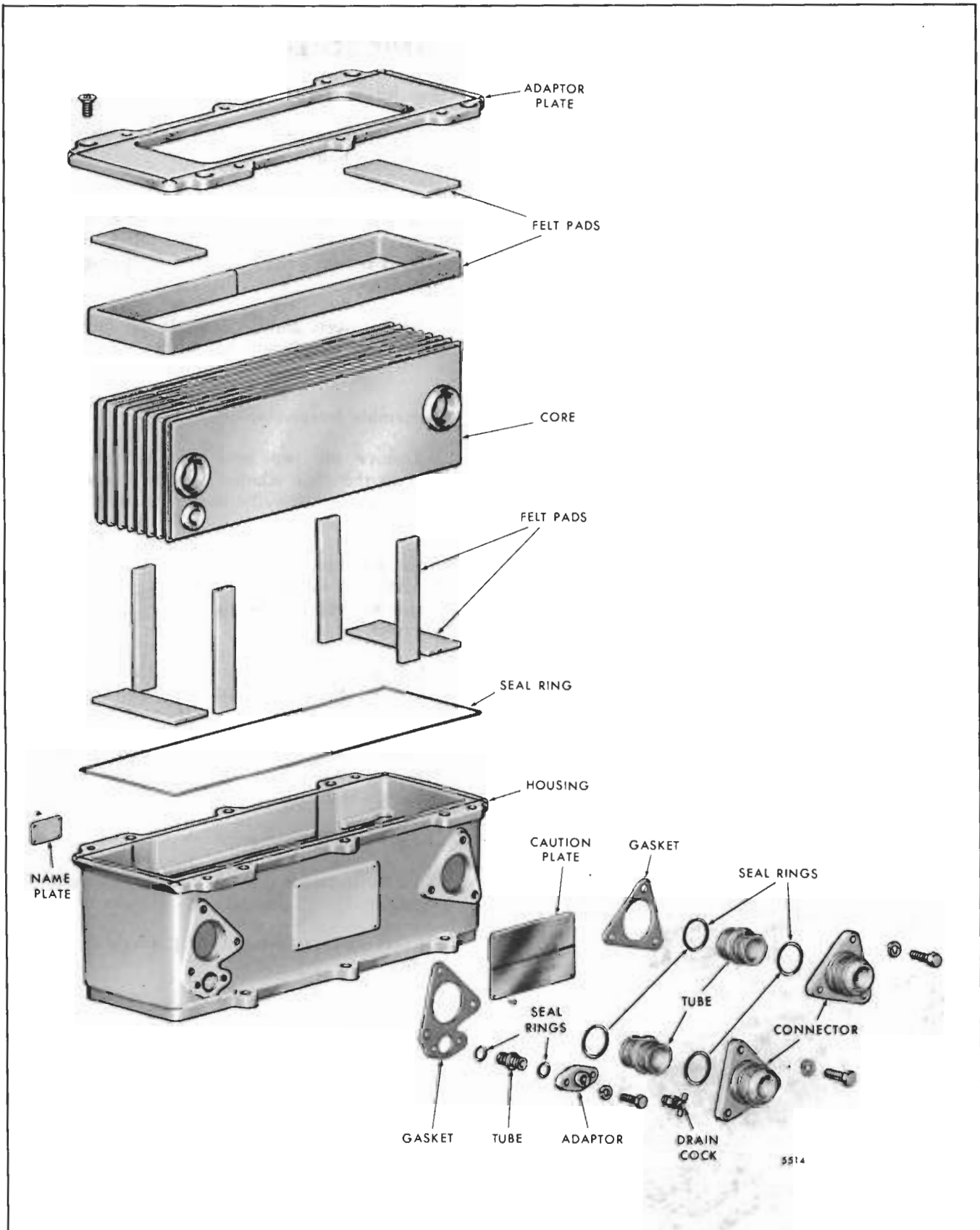


Fig. 2 - Intercooler Details and Relative Location of Parts

from 30 to 60 seconds). Then thoroughly flush the intercooler core with clean hot water under pressure.

WARNING: Protect your eyes and avoid breathing the fumes or direct contact of the acid with your skin.

Pressure Check Intercooler

1. Make a suitable adaptor to which an air hose can be attached and fasten it to the inlet pipe of the cooler core. Use a suitable piece of hose, a plug and clamp to seal the outlet pipe.

2. Attach an air hose and supply approximately 30 psi (207 kPa) air pressure. Then submerge the cooler core in a tank of water. Any leaks will be indicated by air bubbles in the water.

WARNING: When making this pressure test, be sure that personnel are adequately protected against any stream of pressurized water from a leak or rupture of a fitting, hose or the intercooler core.

3. After the pressure test is completed, remove the air hose, clamp, plug, hose and adaptor and dry the cooler core with compressed air. Replace the cooler core if leaks were indicated.

Assemble Intercooler

1. If removed, fix the eight upright felt pads in place in the intercooler housing using Silastic 732 RTV, or equivalent.

2. Place the intercooler core straight down into the housing.

3. Fix the one-piece felt pad around the top side of the

housing. It should butt together at the center of the housing and must not overlap.

4. Lubricate a *new* seal ring and the groove in the adaptor plate with vegetable shortening and install the seal ring in the plate. Place the adaptor plate on the intercooler housing and thread the four 3/8"-16 x .75" screws into the housing. Tighten the screws to 50 **in-lb** (5.65 Nm) torque.

5. Lubricate *new* seal rings and the two grooves on each drain, inlet and outlet tube with vegetable shortening and place the seal rings on the tubes. Then place the drain, inlet and outlet tubes in the water openings in the housing.

6. Use *new* gaskets and install the water inlet and outlet connectors on the housing with three 3/8"-16 x 1" bolts and lock washers. Tighten the bolts to 240 **in-lb** (27.12 Nm) torque.

NOTE: The gasket with the drain hole is used at the outlet opening.

7. Install the drain adaptor and drain cock with two 5/16"-18 x .88" bolts and lock washers. Tighten the bolts to 120 **in-lb** (13.56 Nm) torque.

Install Intercooler

1. Use *new* gaskets and install the intercooler on the air outlet housing with twenty 3/8" - 16 x 1" bolts with lock washers and nuts. Tighten the nuts.

2. Use *new* gaskets and attach the inlet housing to the intercooler with twenty 3/8"-16 x 1-1/8" bolts with lock washers and nuts. Tighten the nuts.

3. Connect the air and water inlet and outlet hoses at the air shutdown housing, turbocharger and intercooler. Tighten the hose clamps.

4. Fill the raw water system. Start the engine and check for any air or water leaks.

TURBOCHARGER AFTERCOOLER

The aftercooler mounts in the cylinder block opening between the cylinders, beneath the blower assembly (Fig. 1). The aftercooler (Fig. 2) cools the air going into the engine after it passes through both the turbocharger and the blower. The air flows downward through the aftercooler and the coolant flows from rear to front through the aftercooler and returns through the left bank thermostat housing (6 and 8V engines) and to the water manifold (16V engine).

The top deck of the cylinder block has been revised to accept the aftercooler. A water inlet adaptor plug replaces the rear 2 1/2" core plug in the bottom of the cylinder block opening (Fig. 3) to supply water to the aftercooler. Tool J 25275 should be used to install or remove this adaptor plug.

Remove Aftercooler

1. Loosen the two 7/16"-14 x 5 1/4" attaching bolts and lift the turbocharger from the air inlet adaptor (refer to Section 3.5).
2. Remove the air inlet adaptor from the blower.
3. Remove the blower and any accessories attached to the blower from the cylinder block (refer to Section 3.4).
4. Loosen the hose clamps and slide the cylinder block water outlet tube hose back against the thermostat housing (6 and 8V engines) or water manifold (16V engine).
5. Remove the water outlet tube from the front of the cylinder block. Discard the gasket.

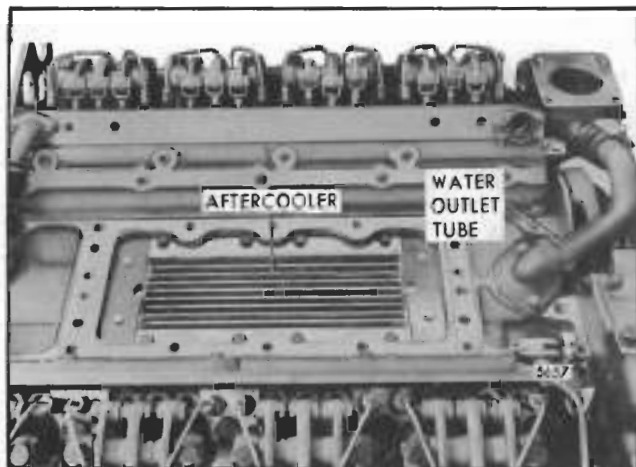


Fig. 1 - Aftercooler Mounted in Cylinder Block

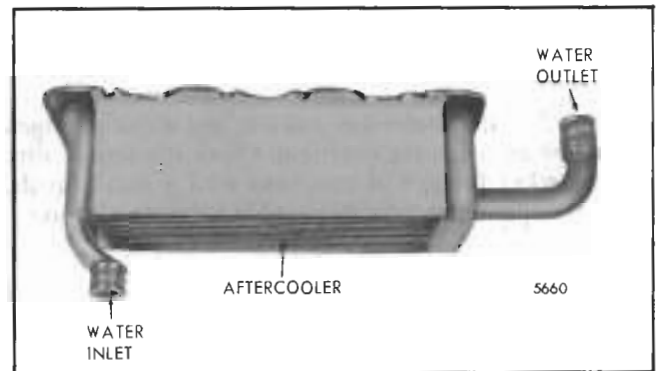


Fig. 2 - Aftercooler

6. Remove and discard the 5/16"-18 x 9/16" attaching bolts with nylon locking patch and lift the aftercooler from the cylinder block opening between the cylinders. *Do not remove the four bolts in the top face of the aftercooler (Fig. 1). They are part of the aftercooler assembly and need not be removed for any reason.*

NOTE: Be careful not to damage the cooler fins when lifting the aftercooler from the cylinder block.

7. Remove and discard the seal rings from the grooves in the water inlet and outlet tube ends of the aftercooler.

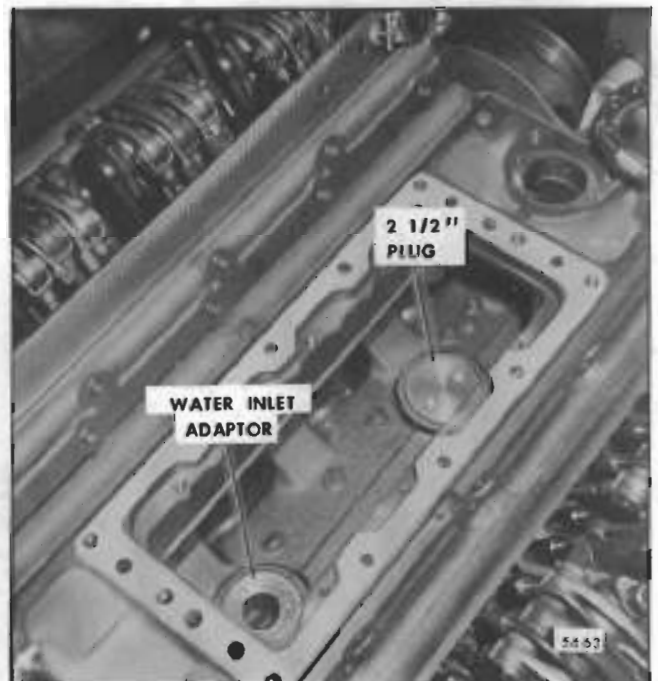


Fig. 3 - Location of Water Inlet Adaptor Plug in Cylinder Block

Clean Aftercooler

The length of time an aftercooler will function satisfactorily before cleaning will be governed largely by the kind of coolant and coolant additive used in the engine.

Check all of the cooler fins and air and water passages for plugging at major overhaul. Clean the fins of dirt or any other foreign obstructions with a small brush. Do not apply more than 40 psi (276 kPa) air pressure.

Install Aftercooler

1. Install new seal rings in the two grooves on the water inlet and outlet tube ends of the aftercooler. Coat the seal rings lightly with engine oil or vegetable shortening. Do not scratch or nick the sealing edge of the seal rings.

2. Place the aftercooler, water outlet end first, into the cylinder block opening between the cylinders. The water inlet end of the cooler seats in the water inlet adaptor plug (Fig. 3). Install new 5/16"-18 x 9/16" attaching bolts with nylon locking patch (six - 6V-92, eight - 8V-92).

Do not tighten the bolts until the water outlet tube to

thermostat housing (6 or 8V engines) or water manifold (16V engine) hose and clamps are aligned and tightened.

3. Use a new gasket and attach the water outlet tube with two 5/16" bolts and lock washers to the cylinder block. Do not tighten the attaching bolts.

4. Align the water outlet tube to the thermostat housing (6 or 8V engines) or water manifold (16V engine) with the hose and clamps in position. Tighten the clamps.

5. Tighten the two 5/16" water outlet tube bolts, then tighten the aftercooler attaching bolts.

6. Use a new blower to cylinder block gasket and install the blower and any accessories attached to the blower (refer to Section 3.4).

7. Attach the air inlet adaptor to the blower with the 7/16"-14 x 1 1/2" attaching bolts and lock washers (eight - 6V-92, ten - 8V-92). Tighten the bolts to 46-50 lb-ft (62-68 Nm) torque.

8. Install the turbocharger (refer to Section 3.5). Tighten the two 7/16"-14 x 5 1/4" bolts to 46-50 lb-ft (62-68 Nm) torque.

SHOP NOTES - TROUBLE SHOOTING - SPECIFICATIONS - SERVICE TOOLS

SHOP NOTES

BLOWER DRIVE SEAL RING

The rubber seal ring used between the blower end plate and the blower drive support can be replaced without removing the blower as follows:

1. Remove the clamp and cut and remove the old seal ring.

2. After thoroughly cleaning the blower drive groove area, make a square cut on a new seal ring and install the seal ring around the groove, with the cut at the top. Attach the two ends of the seal ring together with Loctite No. 06, or equivalent, as follows:

a. The cutting blade to be used must be clean and free of contaminants. If a razor edge is to be used, remove the protective oil film by wiping with solvent.

b. Make a square cut in the replacement seal. The cut ends must remain clean to achieve a satisfactory bond.

c. Apply a thin film of Loctite Super Bonder Adhesive to one of the cut ends. Shake off excess

adhesive. Use adhesive sparingly and avoid contact with skin.

d. Position the seal in the blower drive groove, locating the adhesive treated end first. Place the other end of the seal in the groove and slide it into the adhesive end to make the joint. Apply light pressure to the joint and hold firmly for 30 seconds.

e. To remove excess adhesive around the joint, apply a chlorinated solvent (Acetone, MEK or Methylene Chloride) to a cloth and wipe the joint.

CAUTION: *This adhesive contains cyanoacrylate. Keep away from children. Irritating liquid and vapor. Hazardous if swallowed. Use with adequate ventilation. In case of skin contact, flush with plenty of water. For eye or mouth contact, get medical attention.*

3. Install the plain clamp between the raised edges of the seal ring and tighten.

NOTE: If a former seal ring (without groove) is used, it should be replaced with the current molded (two raised edges) type seal ring.

TROUBLE SHOOTING**TURBOCHARGER**

CONDITION	PROBABLE CAUSE	SUGGESTED REMEDY
NOISY OPERATION OR VIBRATION	WHEEL SHAFT BEARINGS ARE NOT BEING LUBRICATED	Locate cause of loss of oil pressure and repair. Remove, dis-assemble and inspect turbocharger for bearing damage.
	IMPROPER CLEARANCE BETWEEN TURBINE WHEEL AND HOUSING	Remove, disassemble, and inspect turbocharger.
ENGINE WILL NOT DELIVER RATED POWER	LEAK IN ENGINE AIR INTAKE OR EXHAUST MANIFOLD	Tighten all loose connections or replace exhaust manifold gaskets as necessary.
	CLOGGED AIR INTAKE SYSTEM	Check air cleaner and clean air intake ducts.
	FOREIGN MATERIAL LODGED IN COMPRESSOR OR TURBINE WHEELS	Remove, disassemble and clean turbocharger.
	EXCESSIVE DIRT BUILD-UP IN COMPRESSOR	Thoroughly clean compressor assembly. Clean air cleaner and check for leaks.
	LEAK IN ENGINE AIR INTAKE OR EXHAUST MANIFOLD	Tighten all loose connections or replace exhaust manifold gaskets as necessary.
	ROTATING ASSEMBLY BEARING SEIZURE	Remove and overhaul turbo-charger.

SPECIFICATIONS

Specifications, clearances and wear limits are listed below. It should be specifically noted that the clearances apply only when all new parts are used at the point where the various specifications apply. This also applies to references within the text of the manual. The column entitled "Limits" in this chart lists the amount of wear or increase in clearance which

can be tolerated in used engine parts and still ensure satisfactory performance. It should be emphasized that the figures given as "Limits" must be qualified by the judgement of personnel responsible for installing new parts. These wear limits are, in general, listed only for the parts more frequently replaced in engine overhaul work. For additional information, refer to the text.

TABLE OF SPECIFICATIONS, NEW CLEARANCES AND WEAR LIMITS

These limits also apply to oversize and undersize parts.

ENGINE PARTS (Standard Size, New)	MINIMUM	MAXIMUM	LIMITS
Blower			
Backlash (timing gears)0005 "	.0025 "	.0040 "
Oil Seal (below end plate surface)0020 "	.0080 "	
Oil Strainer (below end plate surface)0000 "	.0150 "	
Dowel Pin (projection beyond inside face of front end plate)3200 "		
Dowel Pin (projection beyond inside face of rear end plate)3200 "		
Clearances:			
Rotor to end plate (gear end)0070 "		
Rotor to end plate (front end - 6V)0120 "		
Rotor to end plate (front end - 8V and 16V)0140 "		
Rotor to housing (inlet side)0150 "		
Rotor to housing (outlet side)0040 "		
Trailing edge of R.H. helix rotor to leading edge of L.H. helix rotor0040 "	.0080 "	.0080 "
Leading edge of R.H. helix rotor to trailing edge of L.H. helix rotor0100 "		
T18A40 and T18A90 Turbochargers (Airesearch)			
End play -- rotating shaft0040 "	.0090 "	
Radial movement -- rotating shaft0030 "	.0060 "	
Turbine wheel shaft journal bearing:			
Inside diameter6272 "	
Outside diameter9780 "		
Journal diameter -- turbine wheel shaft6247 "		
Bearing bore -- center housing:			
Inside diameter9835 "	
Back Plate Seal Bore:			
Inside diameter6885 "	
Thrust Collar:			
Thickness2990 "		
Bore - Inside diameter (18A40)3758 "	
Bore--Inside diameter (18A90)4390 "	

3.0 Specifications


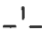


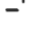
DETROIT DIESEL 92

ENGINE PARTS (Standard Size, New)	MINIMUM	MAXIMUM	LIMITS
Thrust Spacer:			
Outside diameter (18A40)6715 "		
Outside diameter (18A90)8600 "		
Ring groove width0695 "	
Thrust Washer, Inboard:			
Thickness0900 "		
Compressor Wheel Bore:			
Inside diameter (18A40)3739 "	
Inside diameter (18A90)4378 "	
TV81 Turbocharger (Airesearch)			
End play -- rotating shaft0030 "	.0100 "	
Radial movement -- rotating shaft0040 "	.0050 "	
Turbine wheel shaft journal bearing:			
Inside diameter6268 "	.6272 "	
Outside diameter9782 "	.9787 "	
Journal diameter -- turbine wheel shaft6250 "	.6254 "	
Bearing bore -- center housing:			
Inside diameter9827 "	.9832 "	.9842 "
Back Plate Seal Bore:			
Inside diameter6875 "	.6885 "	.6895 "
Thrust Collar:			
Thickness2990 "	.3000 "	.2970 "
Bore - Inside diameter3754 "	.3758 "	.3778 "
Thrust Spacer:			
Outside diameter6715 "	.6725 "	.6705 "
Ring groove width0685 "	.0695 "	.0715 "
Thrust Washer, Inboard:			
Thickness0900 "	.0920 "	
Compressor Wheel Bore:			
Inside diameter3736 "	.3739 "	.3749 "

STANDARD BOLT AND NUT TORQUE SPECIFICATIONS

THREAD SIZE	260M BOLTS TORQUE		THREAD SIZE	280M OR BETTER TORQUE	
	(lb-ft)	Nm		(lb-ft)	Nm
1/4 -20	5- 7	7- 9	1/4 -20	7-9	10-12
1/4 -28	6- 8	8-11	1/4 -28	8-10	11-14
5/16-18	10-13	14-18	5/16-18	13-17	18-23
5/16-24	11-14	15-19	5/16-24	15-19	20-26
3/8 -16	23-26	31-35	3/8 -16	30-35	41-47
3/8 -24	26-29	35-40	3/8 -24	35-39	47-53
7/16-14	35-38	47-51	7/16-14	46-50	62-68
7/16-20	43-46	58-62	7/16-20	57-61	77-83
1/2 -13	53-56	72-76	1/2 -13	71-75	96-102
1/2 -20	62-70	84-95	1/2 -20	83-93	113-126
9/16-12	68-75	92-102	9/16-12	90-100	122-136
9/16-18	80-88	109-119	9/16-18	107-117	146-159
5/8 -11	103-110	140-149	5/8 -11	137-147	186-200
5/8 -18	126-134	171-181	5/8 -18	168-178	228-242
3/4 -10	180-188	244-254	3/4 -10	240-250	325-339
3/4 -16	218-225	295-305	3/4 -16	290-300	393-407
7/8 - 9	308-315	417-427	7/8 - 9	410-420	556-569
7/8 -14	356-364	483-494	7/8 -14	475-485	644-657
1 - 8	435-443	590-600	1 - 8	580-590	786-800
1 -14	514-521	697-705	1 -14	685-695	928-942

Grade identification markings are normally stamped on the heads of the bolts. To aid identification of the various bolts used in Detroit Diesel engines, refer to the following chart.

Grade Identification Marking on Bolt Head	GM Number	SAE Grade Designation	Nominal Size Diameter (inch)	Tensile Strength Min. (psi)
None	GM 255-M	1	No. 6 thru 1 1/2	60,000
None	GM 260-M	2	No. 6 thru 3/4 over 3/4 to 1 1/2	74,000 60,000
 Bolts and Screws	GM 280-M	5	No. 6 thru 1 over 1 to 1 1/2	120,000 105,000
 Hex Head Sems Only	GM 275-M	5.1	No. 6 thru 3/8	120,000
 Bolts and Screws	GM 290-M	7	1/4 thru 1 1/2	133,000
 Bolts and Screws	GM 300-M	8	1/4 thru 1 1/2	150,000
 Bolts and Screws	GM 455-M	None	No. 6 thru 1 1/2	55,000

BOLT IDENTIFICATION CHART

EXCEPTIONS TO STANDARD BOLT AND NUT TORQUE SPECIFICATIONS

APPLICATION	THREAD SIZE	(lb-ft)	TORQUE Nm
Blower drive coupling-to-rotor gear bolt	5/16-24	20-25	22-27
Air inlet housing adaptor-to-blower housing bolt	3/8 -16	16-20	54-61
Air inlet housing-to-adaptor bolt	3/8 -16	16-20	22-27
Blower end plate-to-cylinder block bolt	7/16-14	40-45	54-61
Fuel pump drive disc bolt	1/2 -20	55-65	75-88
Blower rotor gear retainer bolt (large bearing blower)	1/2 -20	100-110	136-150

TURBOCHARGER	THREAD SIZE	lb-in	TORQUE Nm
Backplate to center housing bolts	5/16-18	90-110	10-12
Compressor wheel lock nut (18A40)	3/8 -24	*125-150	14-17
Compressor wheel lock nut (18A90)	7/16-20	*125-150	14-17
Turbine housing to center housing bolts	5/16-18	100-110	11-13
"V" band coupling lock nut	1/4 -28	40-60	5-7

*Refer to Section 3.5 for additional instructions.

SERVICE TOOLS

TOOL NAME	TOOL NO.
Blower	
Blower alignment tool	J 24619
Blower clearance feeler set	J 1698-02
Blower drive cam installer	J 1471
Blower drive coupling aligning tool set	J 21834-01
Blower service tool set	J 6270-05
Turbocharger (Airesearch)	
Dial indicator set (magnetic base)	J 7872
Turbocharger inlet shield	J 26554
Turbocharger Aftercooler	
Adaptor plug remover and installer	J 25275

SECTION 4

LUBRICATION SYSTEM

CONTENTS

Lubrication System.....	4
Lubricating Oil Pump.....	4.1
Lubricating Oil Pressure Regulator and Relief Valves	4.1.1
Lubricating Oil Filters.....	4.2
Lubricating Oil Cooler	4.4
Oil Level Dipstick.....	4.6
Oil Pan.....	4.7
Ventilating System	4.8
Specifications - Service Tools	4.0

LUBRICATION SYSTEM

6V AND 8V ENGINES

Figure 1 schematically illustrates the flow of oil through a typical 6V or 8V-92 engine lubrication system including the various components such as the oil pump, full-flow oil filter, oil cooler, pressure regulator and by-pass valve.

The oil pump is placed in the crankshaft front cover and consists of a pair of spur gears, one large and one small, which mesh together and ride in a cavity inside the crankshaft cover. The large gear is concentric with and splined to a pump drive hub on the front end of the crankshaft. The pump idler gear is much smaller and runs on a bushing and hardened steel shaft pressed into the crankshaft cover.

The oil is drawn by suction from the oil pan through the intake screen and pipe to the oil pump where it is pressurized. The oil then passes from the pump into a short gallery in the cylinder block to the oil cooler adaptor plate. At the same time, oil from the pump is directed to a spring-loaded pressure relief valve mounted on the cylinder block. This valve discharges excess oil directly to the oil sump when the pump pressure exceeds 105 psi (724 kPa).

From the oil cooler adaptor plate, the oil passes into the full-flow filter, through the oil cooler and then back into the cylinder block where a short vertical oil gallery and a short diagonal oil gallery carry the oil to

the main longitudinal oil gallery through the middle of the block. Valves are also provided to by-pass the oil filter and oil cooler should either one become plugged.

Stabilized lubricating oil pressure is maintained within the engine at all speeds, regardless of the oil temperature, by means of a pressure regulator valve located at the end of a vertical oil gallery connected to the main oil gallery. This vertical gallery is located at the front of the cylinder block on the side opposite the cooler (Fig. 1). When the oil pressure at the valve exceeds 50 psi (345 kPa), the regulator valve opens, discharging oil back into the sump.

From the main oil gallery, the pressurized oil flows through drilled passages to each main bearing then passes to an adjacent pair of connecting rods by means of grooves in the unloaded halves of the main and connecting rod bearings and drilled passages in the crankshaft. The rifle drilled connecting rods carry oil from the rod bearings to the piston pin bushing.

At the rear of the block, two diagonally drilled oil passages, which intersect the main oil gallery, carry oil to the two rear camshaft end bearings. Oil is then conducted through the rifle drilled camshaft to the intermediate and front end bearings. Oil from the camshaft intermediate bearings is directed against the

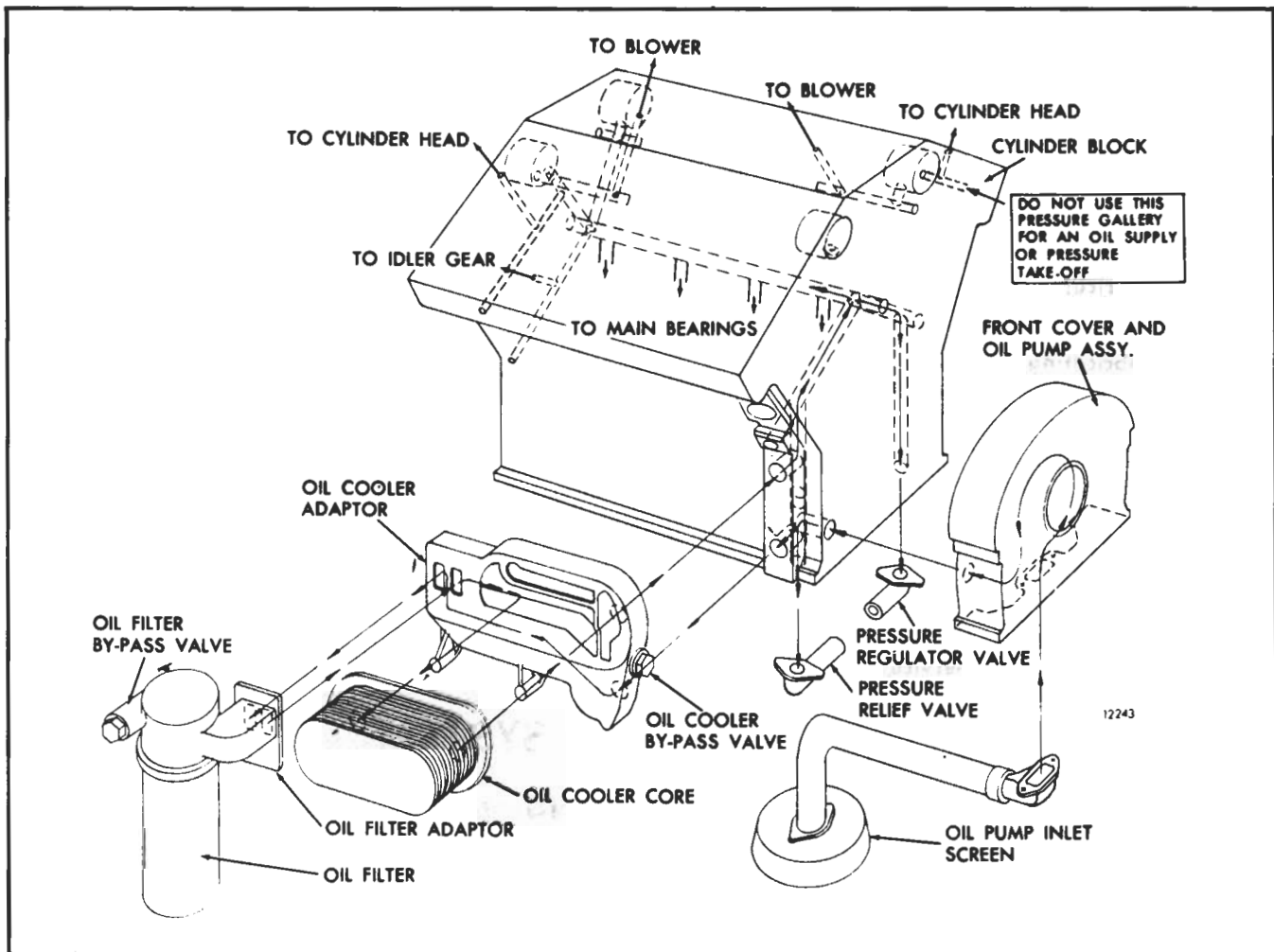


Fig. 1 - Schematic Diagram of Typical 6V and 8V Lubrication Systems

camshaft lobes and cam rollers which run in an oil bath. This oil from the intermediate bearings provides lubrication of the cam lobes immediately after starting the engine when the oil is cold and before camshaft bearing oil flow and oil drainage from the cylinder head have had time to build up.

The diagonally drilled oil passage on the right side at the rear of the block intersects with a vertical passage to carry oil to the right bank cylinder head. A short gallery also intersects with this diagonal passage to lubricate the idler gear bearing. Another gallery intersecting the diagonal passage from the camshaft at the front of the block supplies oil to the left bank cylinder head.

NOTE: Do not use the oil gallery on the upper front left bank of the cylinder block (Fig. 1) for an oil supply or pressure take-off. This gallery intersects the cylinder head oil supply gallery. If used, it will reduce oil pressure to the rocker arm assemblies.

Drilled passages, intersecting longitudinal galleries which parallel the camshafts, lead to the blower and supply oil for the blower drive gears and bearings.

Oil from the right-bank camshaft front end bearing lubricates the water pump drive gear and bearings and the front camshaft gear.

The gear train is lubricated by the overflow of oil from the camshaft pocket spilling into the gear train compartment and by splash from the oil pan. A certain amount of oil also spills into the gear train compartment from both camshaft rear end bearings, the blower drive gear bearing and the idler gear bearing. The blower drive gear bearing is lubricated through an external pipe from the blower rear end plate to the blower drive support.

The valve and injector operating mechanism is lubricated from a longitudinal oil passage, on the camshaft side of each cylinder head, which connects to the main oil gallery in the cylinder block. Oil from this passage enters the drilled rocker arm shafts

through the lower end of the rocker shaft bolts and rocker shaft brackets. Excess oil from the rocker arms lubricates the exhaust valves and cam followers.

Lubrication System Maintenance

Use the proper viscosity grade and type of *heavy duty* oil as outlined in the *Lubricating Oil Specifications* in Section 13.3. Change the oil and replace the oil filter elements at the periods recommended by the oil supplier (based on his analysis of the drained engine oil) to ensure trouble-free lubrication and longer engine life.

The oil level should never be allowed to drop below the *low* mark on the dipstick. Overfilling the crankcase may contribute to abnormal oil consumption, **high oil**

temperature, and also result in oil leaking past the crankshaft rear oil seal.

To obtain the true oil level, the engine should be stopped and sufficient time (approximately twenty minutes) allowed for the oil to drain back from the various parts of the engine. If more oil is required, add only enough to bring the level to the *full* mark on the dipstick.

Cleaning Lubrication System

Thorough flushing of the lubrication system is **required** at times. Should the engine lubrication system become contaminated by ethylene glycol antifreeze solution or other soluble material, refer to **Section 5** for the recommended cleaning procedures.

16V ENGINES

Figure 2 schematically illustrates the flow of oil through a typical 16V-92 engine lubrication system.

NOTE: Do not use the oil gallery on the upper bank at the front of each cylinder block (Fig. 2) for an oil supply or pressure take-off. This oil gallery intersects the cylinder head oil supply gallery. If used, it will reduce pressure to the rocker arm assemblies.

The lubricating oil is circulated by a **gear-type** pressure pump mounted on the number **nine and ten** main bearing caps and gear-driven from the **rear end** of the crankshaft. On some engines, the **oil pump** is mounted at the front on the number one and two main bearing caps and gear-driven by an oil pump drive gear bolted to the front crankshaft gear.

An oil pressure relief valve mounted on the junction block by-passes excess oil directly into the oil sump when the pressure on the outlet side of the pump exceeds approximately 120 psi (827 kPa).

Since by-pass valves are provided in the oil coolers and the oil filters, the oil will by-pass the coolers or filters if they become plugged.

Stabilized lubricating oil pressure is maintained within the engine at all speeds, regardless of the oil temperature, by two **pressure regulator** valves located at the end of the vertical **oil galleries** (Fig. 2). When the oil pressure at the regulator valves exceeds 50 psi (345 kPa), the valves open, discharging excess oil back into the oil sump.

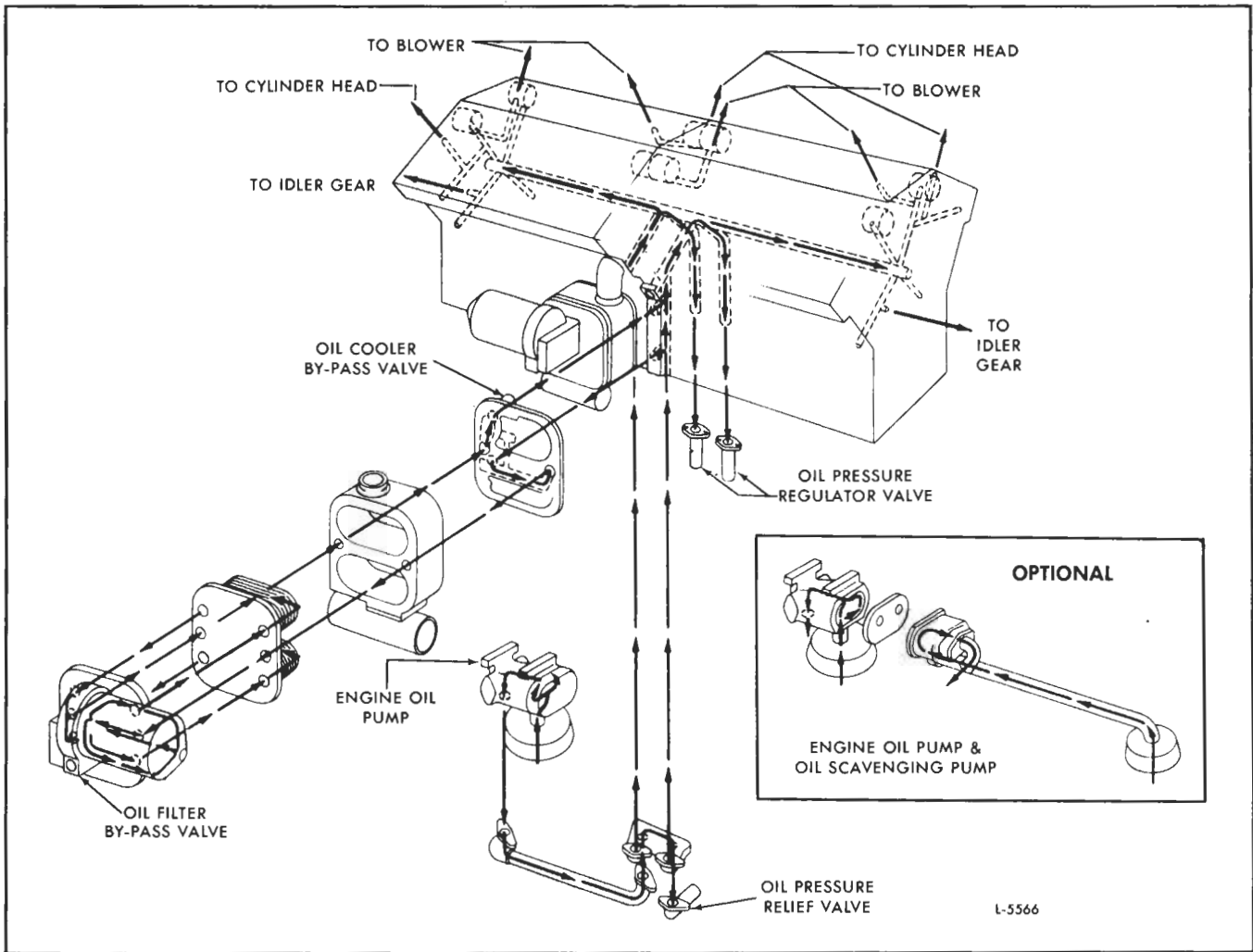


Fig. 2 - Schematic Diagram of Typical 16V Lubrication System

LUBRICATING OIL PUMP (6V AND 8V Engines)

PUMP MOUNTED IN FRONT COVER

The gear type lubricating oil pump is mounted in the crankshaft front cover, which also functions as the oil pump body (Fig. 1). The pump consists of two spur gears which mesh and rotate in a cavity inside the crankshaft cover. The pump drive gear is concentric with and splined to a pump drive hub on the front end of the crankshaft. The pump driven gear and bushing assembly rotates on a hardened steel shaft. One end of the driven gear shaft is pressed into the crankshaft front cover and the other end is supported in the oil pump gear retaining plate.

Operation

As the gears revolve, a vacuum is created on the inlet side of the pump and oil is drawn from the oil pan through the intake screen and pipe assembly into a passage, in the crankshaft front cover, which leads to the inlet port in the pump. The oil then enters the cavities between the gears and the crankshaft front cover and is then forced out under pressure through the discharge port into a short gallery in the cylinder block which leads to the oil filter, oil cooler and cylinder block main oil gallery. At the same time, the oil is directed through a short vertical gallery to the pressure relief valve which opens at approximately 105 psi (724 kPa) to return excess oil to the oil pan.

Remove Oil Pump

1. Drain the oil and remove the oil pan.
2. Remove the oil pan gasket and clean all traces of the gasket from both the oil pan and the cylinder block.
3. Remove the bolts and lock washers which secure the oil inlet pipe and screen support to the crankshaft front cover and to the main bearing cap. Then remove the oil inlet pipe and screen support as an assembly.
4. Remove the crankshaft front cover from the engine as outlined in Section 1.3.5.
5. Remove the oil pump drive hub and key from the crankshaft.

Disassemble Oil Pump

1. Remove the self-locking bolts that secure the oil pump gear retaining plate to the crankshaft front cover. Then remove the retaining plate.
2. Remove the oil pump drive and driven gears from the crankshaft front cover.

Inspection

Clean all of the parts with fuel oil and dry them with compressed air.

Examine the oil pump gear cavity in the crankshaft front cover. Replace the cover if the surfaces are worn or scored excessively. If necessary, replace the crankshaft front oil seal as outlined in Section 1.3.2.

Replace the driven gear shaft if it is worn or scored excessively. When a new shaft is pressed in place, the shoulder on the shaft must be flush to .020" below the finished face of the crankshaft front cover.

The clearance between the driven gear bushing and the shaft is .001" to .0025" when new parts are used, or a maximum of .0035" with used parts.

Inspect the teeth on the oil pump gears and the pump drive hub. Also examine the bushing in the driven gear for wear. The bushing is not serviced separately. Therefore, if the bushing is worn, it will be necessary to replace both the drive and driven gears as they are only serviced as a set. The use of excessively worn gears will result in low oil pressure which may cause serious damage throughout the engine.

Inspect the inner face of the oil pump gear retaining plate. Replace the retaining plate if it is scored or worn.

Remove the screen and cover from the oil inlet pipe assembly. Then clean the parts with fuel oil and dry them with compressed air. Reassemble the screen, cover and oil intake pipe.

Whenever the oil pump is removed for service, remove and inspect the oil pressure regulator and oil pressure relief valves as outlined in Section 4.1.1.

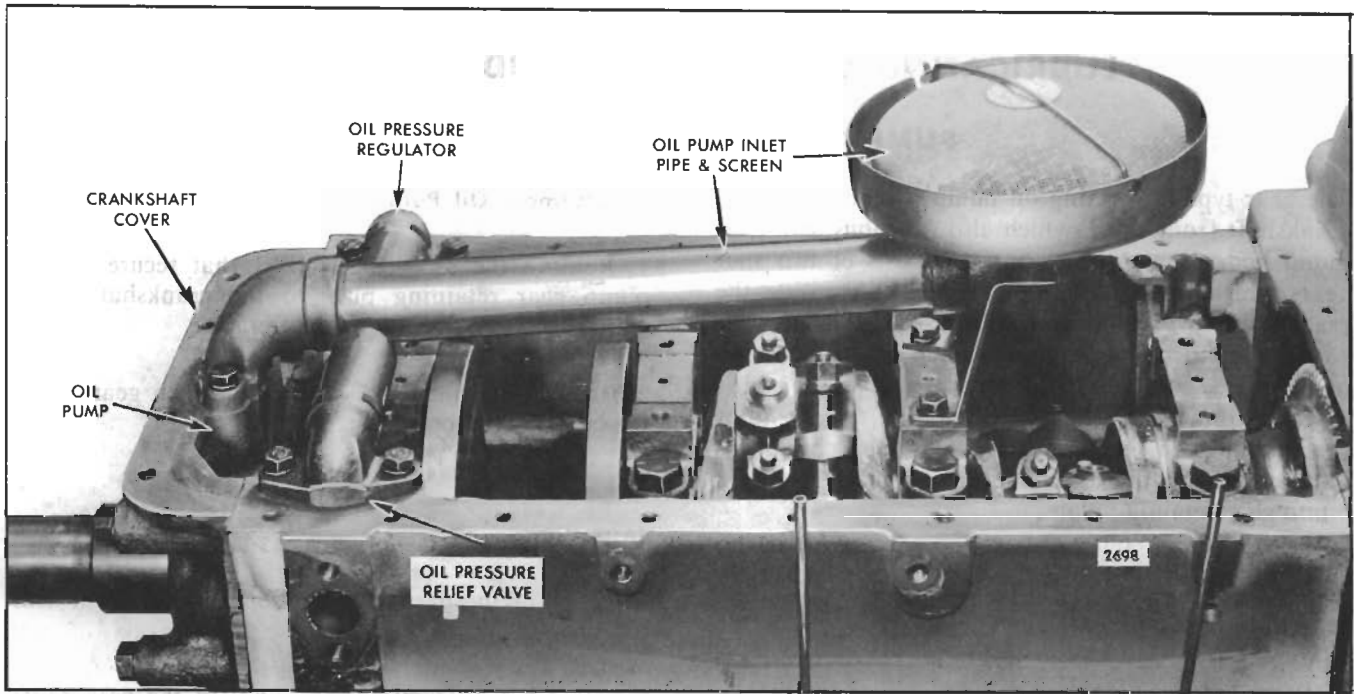


Fig. 1 - Typical Lubricating Oil Pump Mounting (6V or 8V Engine)

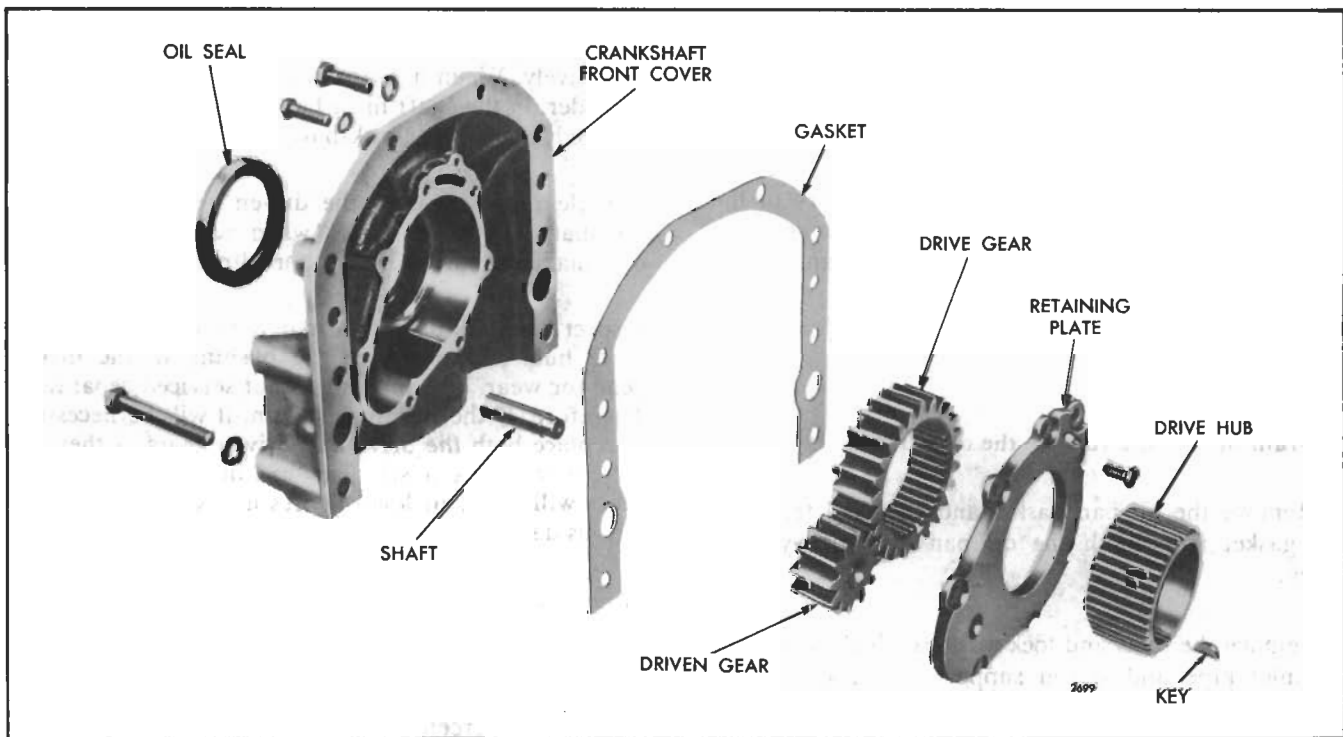


Fig. 2 - Lubricating Oil Pump Details and Relative Locations of Parts (6V or 8V Engine)

Assemble Oil Pump

Refer to Fig. 2 and assemble the oil pump as follows:

1. Lubricate the oil pump gears and the driven gear shaft with engine oil. Then install the gears in the crankshaft front cover.
2. Install the gear retaining plate and secure it to the crankshaft front cover with eight 5/16" -18 x 3/4" self-locking bolts. Tighten the bolts to 13-17 lb-ft (18-23 Nm) torque.

NOTE: Self-locking bolts must be used due to the close clearance between the oil pump and the crankshaft.

3. Install the key in the crankshaft and slide the oil pump drive hub in place.

Install Oil Pump

1. Install the crankshaft front cover on the engine as outlined in Section 1.3.5.
2. Refer to Fig. 1 and install the oil inlet pipe and screen assembly. Use a new gasket between the oil inlet pipe and the crankshaft front cover.
3. Install the oil pan, using the new gasket. Starting with the center bolt on each side and working toward each end of the oil pan, tighten the 3/8" -16 bolts to 10-20 lb-ft (14-27 Nm) torque.
4. Fill the oil pan, to the proper level on the dipstick, with the lubricating oil recommended in the *Lubricating Oil Specifications* in Section 13.3.

LUBRICATING OIL PUMP (16V Engines)

The gear-type scavenging lubricating oil pump is mounted on number nine and ten main bearing caps at the rear of the engine and is driven by a gear which is attached to the rear crankshaft gear (Fig. 3). On some engines, the oil pump is mounted at the front on the number one and two main bearing caps and is gear-driven by an oil pump drive gear bolted to the front of the crankshaft gear.

Remove Lubricating Oil Pump

1. Drain the oil and remove the oil pan(s).
2. Remove and discard the oil pan gasket.
3. Remove the inlet and the outlet tube assemblies from the oil pump (Fig. 3) and the scavenging pump.
4. Remove the nuts and lock washers which attach the oil pump to the main bearing caps, then remove the oil pump.

NOTE: On some engines, shims are used between the oil pump mounting feet and the main bearing caps. Whenever the original pump is reinstalled, the same shims or an equal number of new (identical) shims must be placed under both the front and rear mounting feet and the number then adjusted to obtain the proper clearance between the pump drive and driven gears.

Disassemble Lubricating Oil Pump

Observe the relative position of the parts (Fig. 7) during disassembly to facilitate reassembly of the pump:

1. Remove the five bolts and lift the scavenging pump body from the pump body.
2. Withdraw the scavenging pump drive and driven gears from the pump shafts, then remove the Woodruff keys from the drive shaft.
3. Remove the spacer.
4. Withdraw the driven shaft and gear as an assembly from the pump body.
5. Attach puller J 24420 to the pump driven gear. Place a couple of washers or a nut between the end of the pump shaft and the puller screw to protect the end of the pump shaft. Then remove the gear by turning the puller screw clockwise as shown in Fig. 4.
6. Remove the key from the shaft.
7. Withdraw the drive shaft and gear as an assembly from the pump body.
8. Press the oil pump drive shaft out of the oil pump gear, as shown in Fig. 5.
9. Remove the key from the shaft.

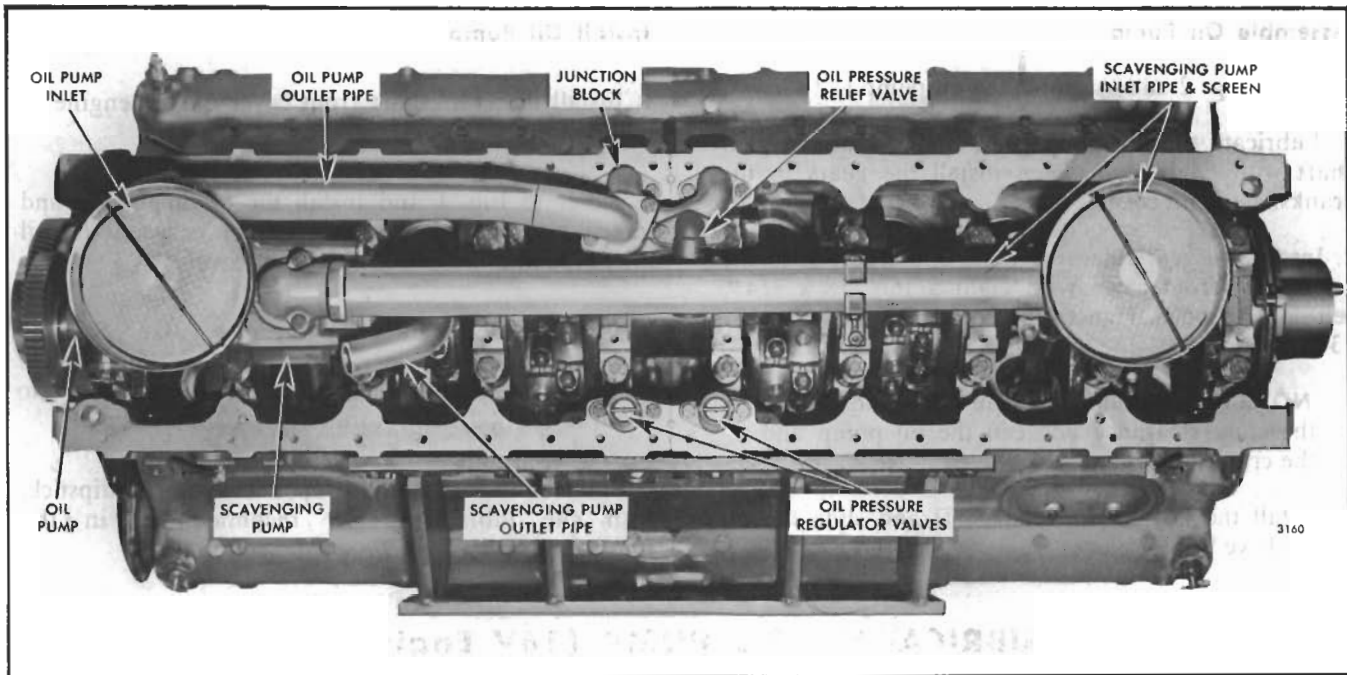


Fig. 3 - Typical Lubricating Oil Pump Rear Mounted (16V Engines)

Inspection

Wash all of the parts in clean fuel oil and dry them with compressed air.

The greatest amount of wear in the oil pump is imposed on the internal drive and driven gears. This wear may be kept to a minimum by keeping the lubricating oil clean and acid-free. If dirt and sludge are allowed to accumulate in the lubricating system, pronounced gear wear may occur in a comparatively short period of time. Proper servicing of oil filters will increase the life of the gears.

Examine the internal gear cavity of the pump body and scavenger pump for wear or scoring. Also inspect

the spacer between the pump and the scavenger pump bodies for wear. Replace the parts if necessary.

Inspect the bushings in the pump body and scavenging body. If the bushings are worn excessively, replace the pump body and scavenging body unless suitable boring equipment is available for finishing the new bushings. When installing new bushings, replace all of the bushings in the pump. The bushings must be located and positioned as shown in Fig. 6. The gear bore and the bushing bore must be concentric within

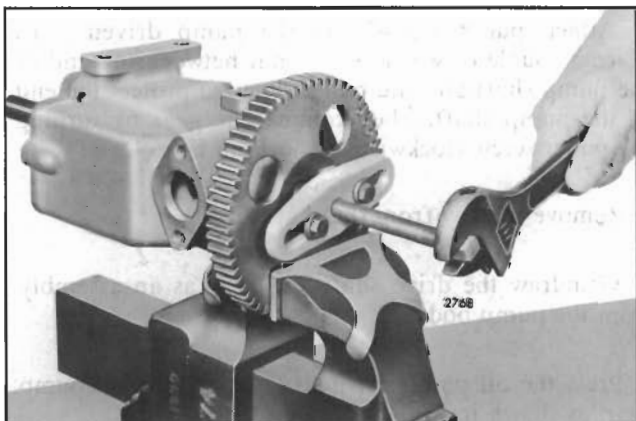


Fig. 4 - Removing Oil Pump Drive-Driven Gear

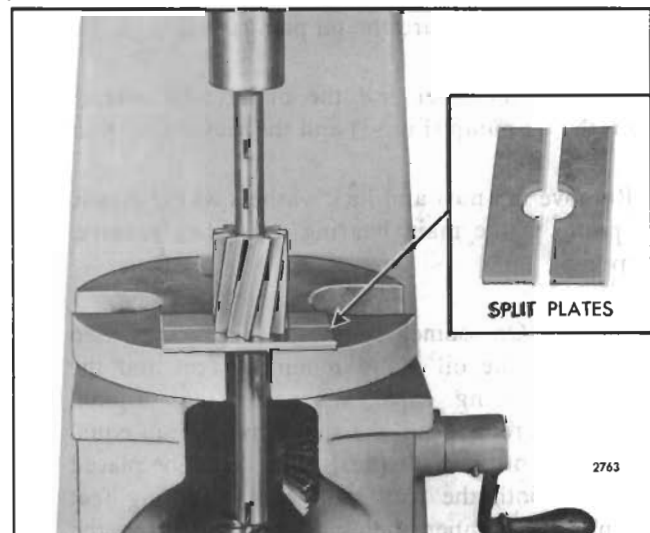


Fig. 5 - Pressing Oil Pump Gear From Shaft

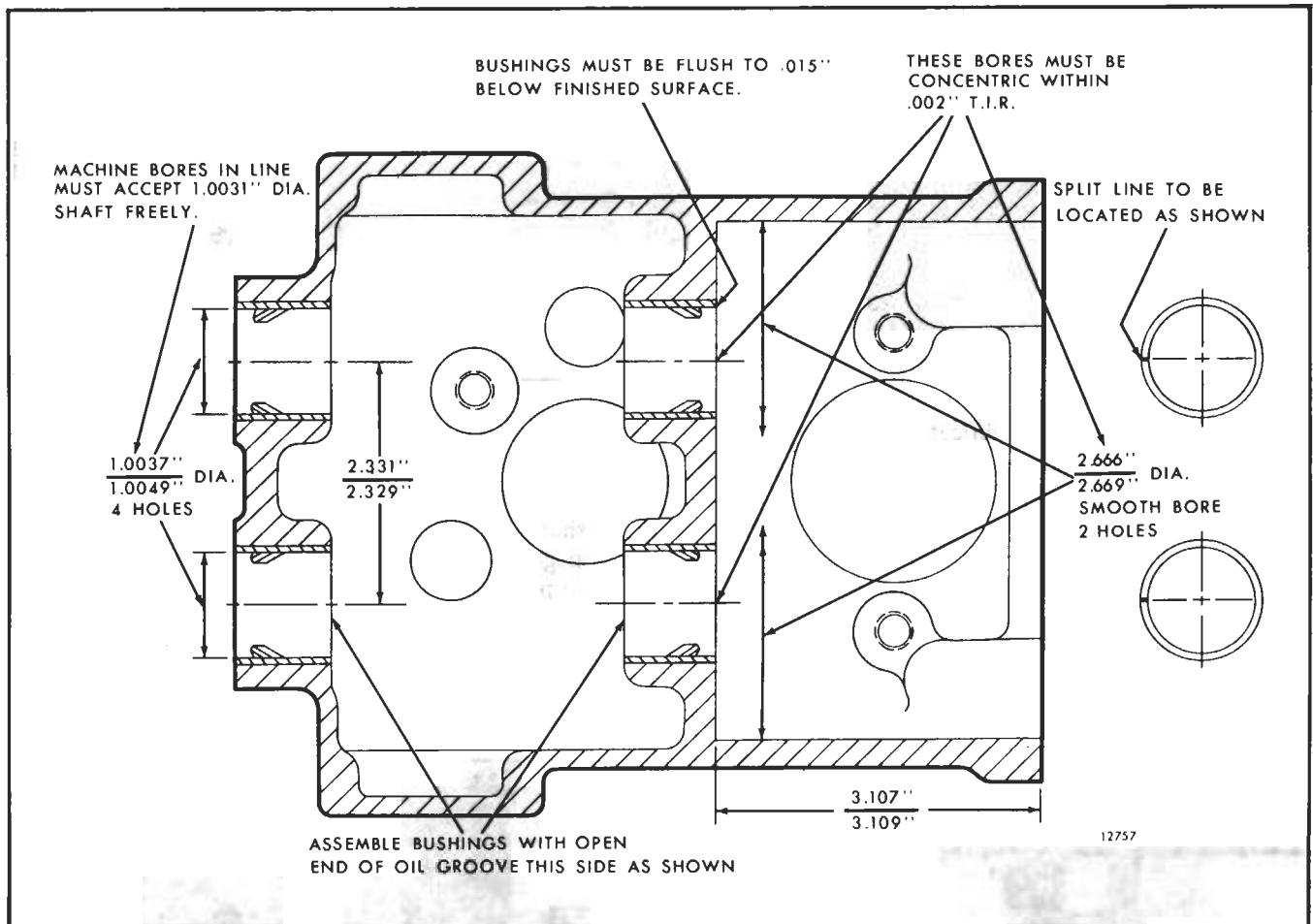


Fig. 6 - Diameter and Location of Bushing in Oil Pump (16V Engine)

.002" total indicator reading. The shaft-to-bushing clearance with new parts is .0015" to .0032".

If the gear teeth are scored or worn, install new gears. The use of excessively worn gears will result in low engine oil pressure which, in turn, may lead to serious damage throughout the engine.

Inspect the pump shafts for wear and check the keyways. Replace the shafts if necessary.

Remove the oil inlet screen from the oil inlet pipe and clean both the screen and pipe with fuel oil and dry them with compressed air.

Inspect the external pump drive-driven gear for wear and replace it if necessary.

Inspection of the pressure relief valve and oil pressure regulator are covered in Section 4.1.1.

Assemble Lubricating Oil Pump

1. Install the oil pump gear key in the oil pump drive shaft.
2. Lubricate the drive shaft, then press the oil pump drive gear on the shaft with tool J 9380 as shown in Fig. 8. Tool J 9380 will position the gear 5.50" from the end of the shaft as well as prevent the shaft from bending during gear installation.
3. Lubricate the driven shaft and press the oil pump driven gear on the shaft. Use tool J 9381 to position the gear 4.68" from the end of the shaft.
4. Install the drive shaft and gear assembly in the pump body in its original position.
5. Install the key in the driven gear end of the drive shaft.
6. Press the driven gear on the drive shaft until the clearance between the gear hub and the pump body is .010" (Fig. 9).

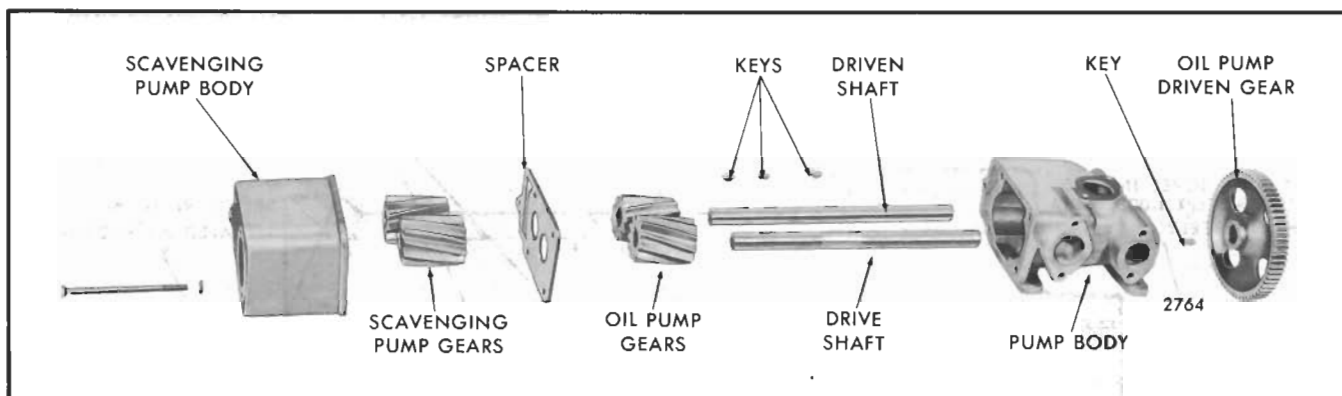


Fig. 7 - Lubricating Oil Pump Details and Relative Location of Parts (16V Engine)

7. Install the driven shaft and gear assembly in the pump body.
8. Slide the spacer on the shafts. Install the keys in the

drive shaft, then slide the scavening pump gears on the shafts. The right-hand and left-hand scavening pump gears must be in the same relative position as the oil pump gears (Fig. 7).

Secure the scavening pump body to the oil pump body with five bolts and lock washers.

9. Rotate the oil pump driven gear by hand to make

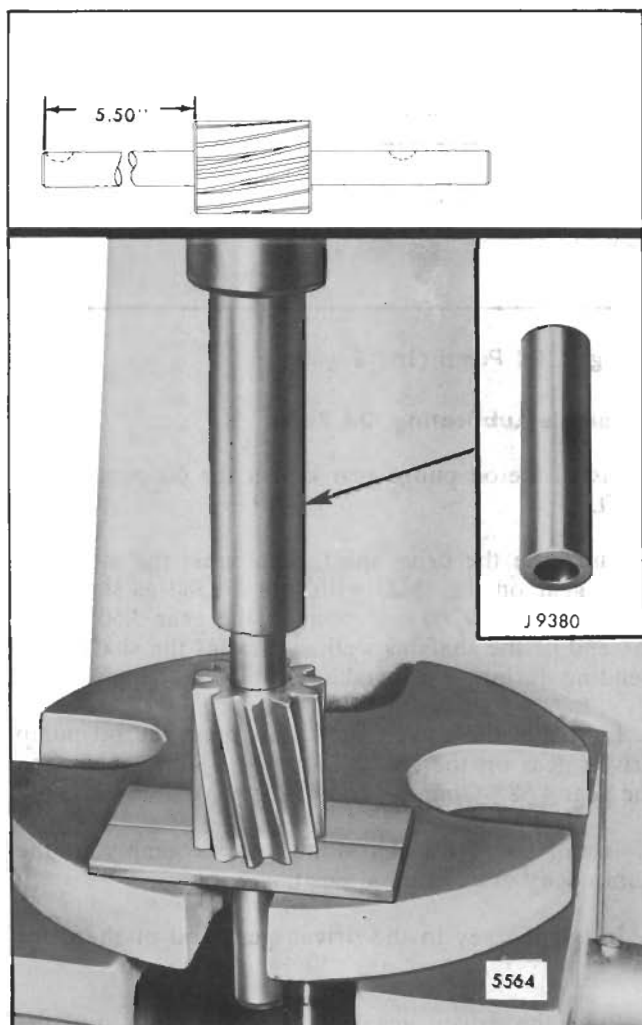


Fig. 8 - Installing Oil Pump Gear on Shaft

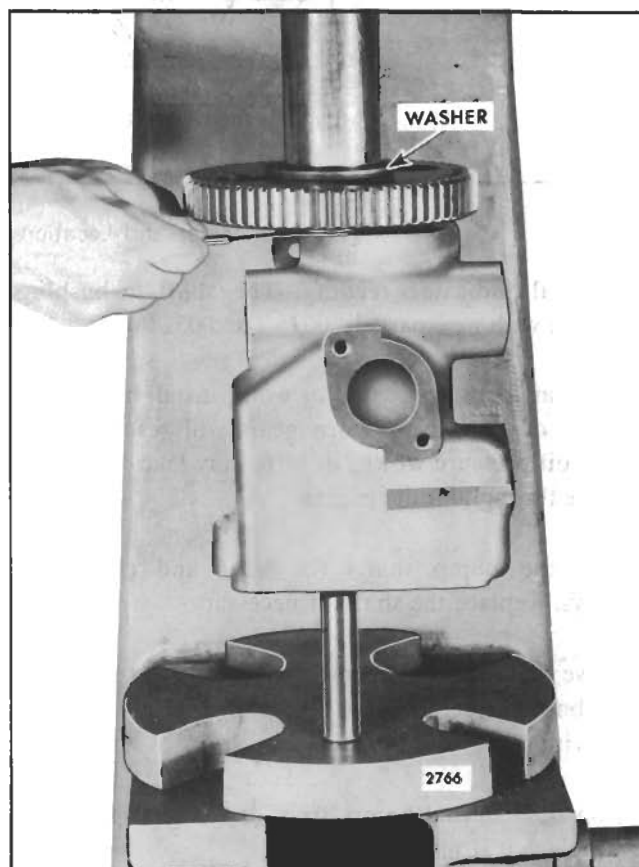


Fig. 9 - Installing Oil Pump Drive-Driven Gear on Shaft

certain the gears and the shafts rotate freely. If necessary, loosen the scavenging pump body bolts. Tap the body bolts with a soft hammer, then retighten the bolts.

Remove Oil Pump Drive Gear

Since the oil pump drive gear is bolted to the rear crankshaft timing gear, oil pump drive gear removal, inspection and installation, is covered in Section 1.7.5.

Install Lubricating Oil Pump

1. Position the rear mounted oil pump on the number nine and ten main bearing caps so that the oil pump drive gear teeth mesh with the oil pump driven gear teeth. Secure the oil pump to the bearing caps with four nuts and lock washers (Fig. 3).

2. Check the backlash (clearance) between the oil pump drive and driven gears with a feeler gage or a suitable dial indicator. The backlash should be .006" to .012".

Install shims between the oil pump mounting feet and the main bearing caps, as required, to obtain the proper backlash. Install or remove the same number of shims, under both mounting feet, to keep the pump level. The addition or removal of each .005" shim will change the gear backlash .0035".

3. Install the junction block (Fig. 3) if it was removed. When installing the junction block, use new junction block-to-cylinder block gaskets to prevent oil leaks.

4. Install the oil pump inlet and outlet pipes. Use a new inlet pipe-to-oil pump gasket. Also use a new gasket at each end of the oil pump outlet tube.

5. Install the oil pump screen cover gasket, screen cover, inlet pipe flange and screen stop on the oil pump inlet pipe. Next, place the screen in the screen cover and lock it in place with the screen retainer.

6. Install the scavenging pump inlet and outlet pipes. Use a new inlet pipe-to-scavenging pump gasket and a new outlet pipe-to-scavenging pump gasket.

7. Install the scavenging pump inlet pipe support.

8. Refer to Section 4.1.1 for the oil pressure regulator and oil pressure relief valve coverage.

9. Place a new gasket on the upper oil pan and install the pan on the cylinder block. Start all of the oil pan bolts before tightening any of them. Then tighten the center bolts first, and work toward each end of the oil pan.

10. Attach the screen cover gasket, screen cover, inlet flange, screen stop and tube supports to the scavenging pump inlet tube. Then secure the ends of the scavenging pump inlet tube supports to the upper oil pan.

11. Place the screen in the scavenging pump inlet screen cover, then lock it in place with the screen retainer.

12. Place a new gasket on the lower oil pan and attach the lower oil pan to the upper oil pan.

NOTE: On engines which use an oil pan baffle between the upper and lower oil pan(s), use a gasket on both sides of the baffle.

13. Fill the oil pan to the proper level with the oil recommended in the *Lubricating Oil Specifications* in Section 13.3.

LUBRICATING OIL PRESSURE REGULATOR AND RELIEF VALVES

OIL PRESSURE REGULATOR VALVE (6V and 8V Engines)

Stabilized lubricating oil pressure is maintained within the engine at all speeds, regardless of the oil temperature, by an oil pressure regulator valve. The valve is installed at the end of the vertical oil gallery near the front of the cylinder block on the side opposite the oil cooler (Fig. 1).

The oil pressure regulator consists of a valve body, a hollow piston-type valve, a spring, a spring seat and a pin to retain the valve assembly within the valve body (Fig. 2).

The valve is held on its seat by the spring, which is compressed by the pin in back of the spring seat. The entire assembly is bolted to the lower flange of the cylinder block and sealed against leaks by a gasket between the block and the valve body. When conditions are such that the oil pressure at the valve exceeds 50 psi (345 kPa), the valve is forced from its seat and oil from the engine gallery is by-passed to the engine oil pan. Thus stabilized lubricating oil pressure is maintained at all times.

Under normal conditions, the oil pressure regulator should require very little attention. If sludge accumulates in the lubrication system, the valve may

not work freely, thereby remaining open or failing to open at the normal operating pressure.

Whenever the lubricating oil pump is removed for inspection, remove the regulator valve and spring and thoroughly clean and inspect them.

Remove Oil Pressure Regulator

1. Remove the two regulator-to-cylinder block attaching bolts and lock washers.
2. Tap the regulator body lightly to loosen it from the gasket and the cylinder block. Remove the regulator and the gasket.

Disassemble Oil Pressure Regulator

1. Clamp the regulator assembly in the soft jaws of a bench vise and remove the spring seat retaining pin from the regulator body.
2. Remove the spring seat, spring and valve from regulator body.

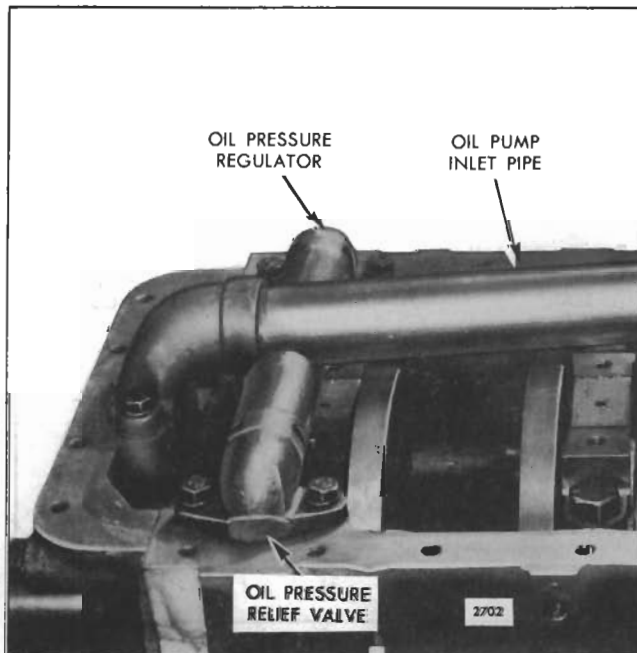


Fig. 1 - Oil Pressure Regulator Valve and Relief Valve Mounting (6V or 8V Engine Oil Pump in Front Cover)

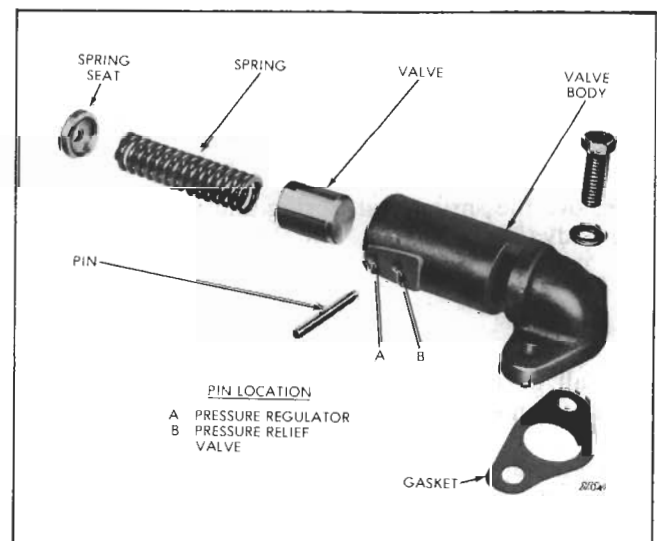


Fig. 2 - Oil Pressure Regulator Valve and Relief Valve Details and Relative Location of Parts (6V or 8V Engine Oil Pump in Front Cover)

Inspection

Clean all of the regulator components in fuel oil and dry them with compressed air. Then inspect them for wear or damage.

The regulator valve must move freely in the valve body. If the valve or the valve body is scored and cannot be cleaned up with crocus cloth, replace them.

Replace a pitted or fractured spring.

Assemble Oil Pressure Regulator

After the parts have been cleaned and inspected, refer to Fig. 2 and assemble the regulator as follows:

1. Apply clean engine oil to the outer face of the valve and slide it into the regulator body, closed end first.
2. Insert the spring in the valve and install the spring

OIL PRESSURE REGULATOR VALVE (16V Engine)

Two oil pressure regulator valves are used on 16V engines. When the oil pressure at the regulator valves exceeds 50 psi (345 kPa), the valves open, discharging excess oil into the oil pan.

Remove and Disassemble Oil Pressure Regulator Valve

1. Remove the regulator valve-to-cylinder block bolts and lock washers. Remove the regulator valve and gasket. Discard the old gasket.
2. Drive the spring seat retaining pin out of the valve body.
3. Remove the spring seat, spring and valve from the valve body (Fig. 3).

Inspection

Clean all of the regulator components with fuel oil and dry them with compressed air.

The regulator valve must move freely in the valve body. If the valve or the valve body is scored and cannot be cleaned up with crocus cloth, replace them.

Replace a pitted or fractured spring.

seat. While compressing the spring, install the retaining pin behind the spring seat. Press the pin flush to .010" below the surface of the valve body.

CAUTION: The valve body used on the 6V and 8V engines (with an oil pump in the front cover) has two retaining pin holes (Fig. 2). Install the pin in the outermost hole for the regulator valve. The inner hole is used when the valve is assembled as an oil pump relief valve assembly. It is important that the retaining pin be positioned correctly so the proper valve opening pressure will be obtained.

Install Oil Pressure Regulator

1. Remove all traces of old gasket material from the regulator body and the cylinder block.
2. Affix a new gasket to the regulator body and secure the regulator assembly to the cylinder block with two bolts and lock washers.

Assemble and Install Oil Pressure Regulator Valve

Lubricate the valve and assemble the oil pressure regulator by reversing the disassembly procedure. Press the pin in flush to .010" below the outside surface of the valve body.

Affix a new gasket to the regulator valve body and secure the regulator valve assembly to the cylinder block with two bolts and lock washers.

Install the second valve as outlined below.

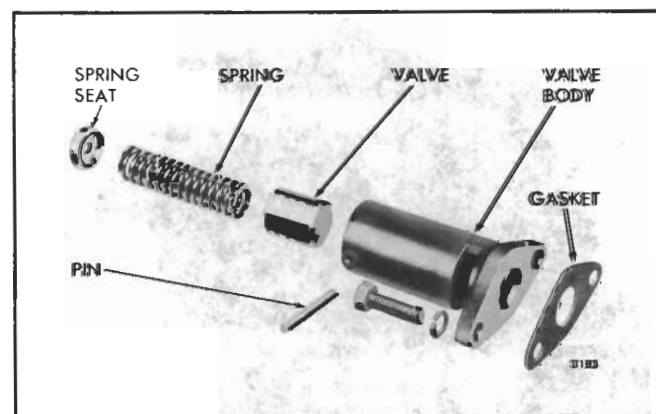


Fig. 3 - Oil Pressure Regulator Valve and Relief Valve Details and Relative Location of Parts (16V Engine)

OIL PRESSURE RELIEF VALVE (6V and 8V Engines)

Oil leaving the pump under pressure passes into the pressure relief valve body. The spring-loaded valve opens when the pressure exceeds approximately 105 psi or 724 kPa (6V or 8V engines) and directs the excess oil to the oil pan. The pressure relief valve is located at the lower end of the vertical oil gallery near the front of the cylinder block on the oil cooler side (Fig. 1).

The pressure relief valve consists of a valve body, a hollow piston-type valve, a spring, spring seat and a pin to retain the valve assembly within the valve body.

The relief valve assembly used on the 6V and 8V engines is composed of the same parts as the regulator valve assembly (Fig. 2). However, the retaining pin is located in the inner pin hole in the valve body to provide the necessary tension on the spring.

Service operations for the pressure relief valve are similar to those of the regulator valve.

The spring in the 6V and 8V relief valve assemblies is the same as used in the oil pressure regulator assemblies.

Replace the springs when they are pitted or fractured.

OIL PRESSURE RELIEF VALVE (16V Engine)

The oil pressure relief valve, mounted on the junction block, by-passes excess oil directly into the oil sump when the oil pressure in the cylinder block main oil galleries exceeds approximately 120 psi or 827 kPa (Fig. 3, Section 4.1).

The valve, spring, spring seat and the pin used in the oil pressure relief valve are identical to the parts used in the oil pressure regulator valve (Fig. 3). Therefore, the removal, disassembly, inspection, assembly and installation procedures given for the oil pressure regulator valve also apply to the relief valve.

LUBRICATING OIL FILTERS

The V-92 engines are equipped with a full-flow type lubricating oil filter. A by-pass type oil filter may be used in addition to the full-flow type filter when additional filtration is desired.

Full-Flow Oil Filter

The full-flow type lubricating oil filter is installed ahead of the oil cooler in the lubrication system. The 6V and 8V engines are equipped with a single filter (Fig. 1). The 16V engines use either two single or two dual oil filters. The filters may be mounted directly to the oil cooler adaptor or remotely mounted on the oil cooler cover and connected by flexible hoses to a filter junction (Fig. 2) which is attached to the oil cooler adaptor. Certain units may be equipped with an oil cooler cover which also functions as an oil filter adaptor.

The filter assembly consists of a replaceable element enclosed within a shell which is mounted on an adaptor or base. When the filter shell is in place, the element is restrained from movement by a coil spring.

All of the oil supplied to the engine by the oil pump passes through the filter before reaching the various moving parts of the engine. The oil is forced by pump pressure through a passage in the filter adaptor or base to the space surrounding the filter element. Impurities are filtered out as the oil is forced through the element to a central passage surrounding the center stud and out through another passage in the filter adaptor or base and then to the oil cooler.

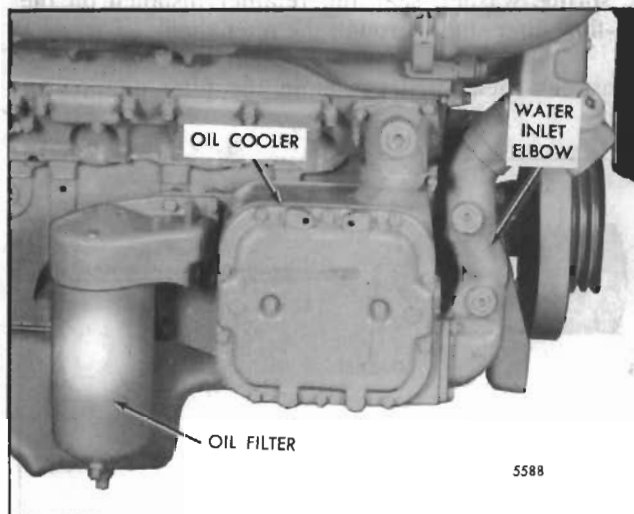


Fig. 1 - Typical Full-Flow Oil Filter Mounting (6V or 8V Engine)

A valve, which opens at approximately 18-21 psi (124-145 kPa), is located in the filter adaptor or base and will by-pass the oil directly to the oil cooler should the filter become clogged.

By-Pass Oil Filter

When additional filtration is desired, an oil filter of the by-pass type (Fig. 3) may also be installed on the engine. However, the size of the orifice on the discharge side of the filter must not exceed .101" (6V and 8V engines) or .125" (16V engines) to control the oil flow rate and to provide sufficient oil pressure when the engine is running at idle speed.

When the engine is running, a portion of the lubricating oil is bled off the oil gallery and passed through the by-pass filter. Eventually all of the oil passes through the filter, filtering out fine foreign particles that may be present.

The by-pass filter assembly consists of a replaceable element contained in a shell mounted on a combination base and mounting bracket. When the shell is in place, the filter element is restrained from movement by a coil spring at the top. A hollow center stud serves as the outlet passage from the filter as well as securing the shell in place.

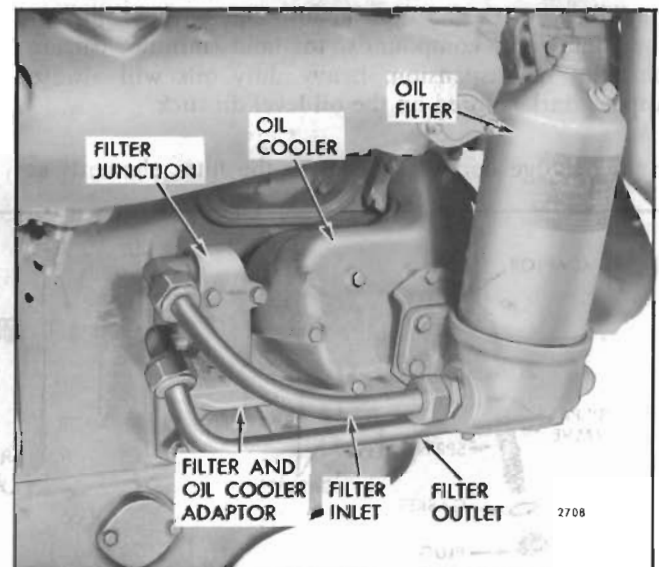


Fig. 2 - Typical Full-Flow Remote Mounted Oil Filter

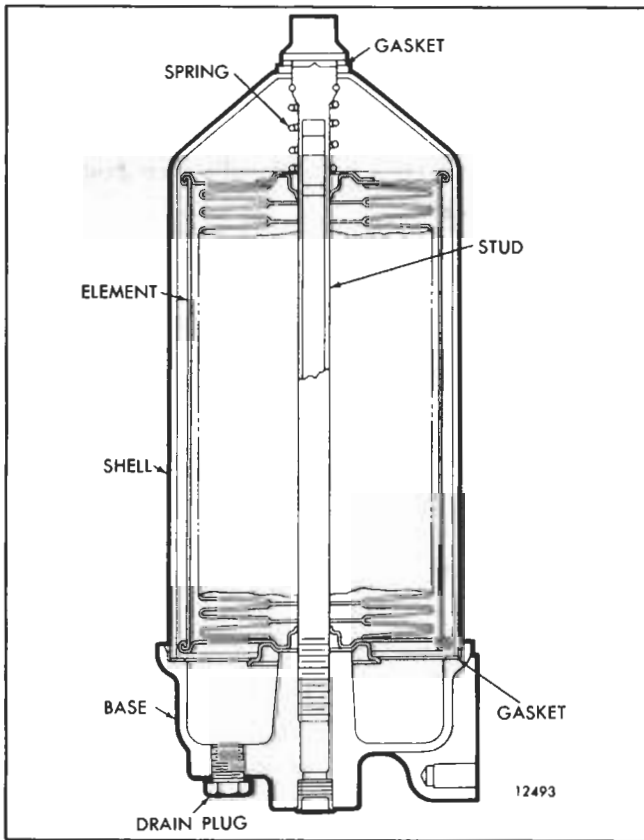


Fig. 3 - Typical By-Pass Type Oil Filter

Oil Filter Maintenance

With the use of detergent lubricating oils, the color of the lubricant has lost value as an indicator of oil cleanliness or proper filter action. Due to the ability of the detergent compounds to hold minute carbon particles in suspension, heavy duty oils will always appear dark colored on the oil level dipstick.

Heavy sludge deposits found on the filter elements at

the time of an oil change must be taken as an indication that the detergency of the oil has been exhausted. When this occurs, the oil drain interval should be shortened. The removal of abrasive dust, metal particles and carbon must be ensured by replacement of the oil filter elements at the time the engine oil is changed.

Selection of a reliable oil supplier, strict observation of his oil change period recommendations and proper filter maintenance will ensure trouble-free lubrication and longer engine life.

Replace Oil Filter Element

Replace the element in either the full-flow or by-pass type oil filter assembly (Figs. 3 and 4) as follows:

1. Remove the drain plug from the filter shell or the filter adaptor or base and drain the oil.
2. Back out the center stud and withdraw the shell, element and stud as an assembly. Discard the element and the shell gasket.
3. Remove the center stud and gasket. Retain the gasket unless it is damaged and oil leaks occurred.
4. Remove the nut on the full-flow filter center stud.
5. Remove and discard the element retainer seal (Fig. 4). Install a new seal.
6. Clean the filter shell and the adaptor or base.
7. Install the center stud gasket and slide the stud (with the spring, washer, seal and retainer installed on the full-flow filter stud) through the filter shell.
8. Install a new shell gasket in the filter adaptor or base.

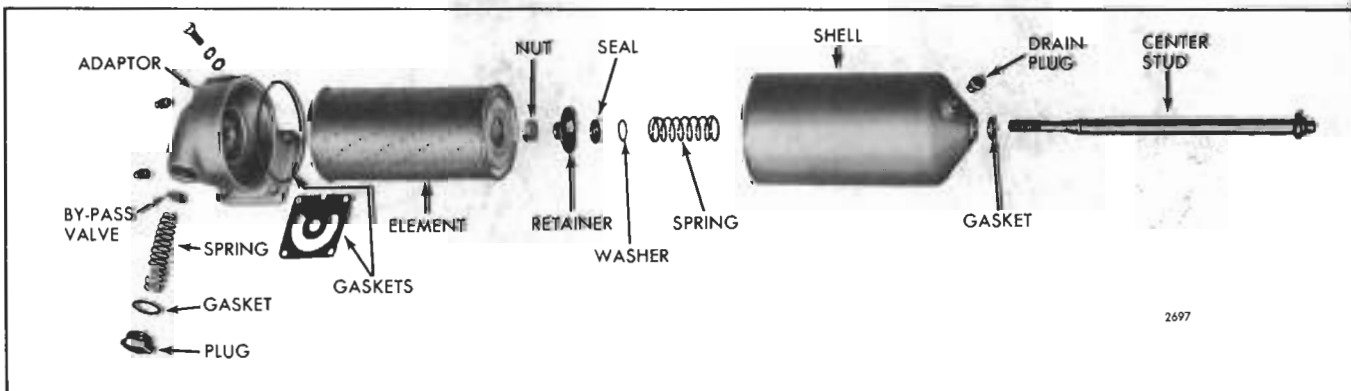


Fig. 4 - Full Flow Oil Filter Details and Relative Location of Parts

NOTE: Before installing the filter shell gasket, be sure all of the old gasket material is removed from the filter shell and the adaptor or base. Also make sure the gasket surfaces of the shell and the adaptor or base have no nicks, burrs or other damage.

9. Position the new filter element carefully over the center stud and within the shell. Then place the shell, element and stud assembly in position on the filter adaptor or base and tighten the stud to 50-60 lb-ft (68-81 Nm) torque.

10. Install the drain plug.

11. Start and run the engine for a short period and check for oil leaks. After any oil leaks have been corrected and the engine has been stopped long enough (approximately twenty minutes) for the oil

from various parts of the engine to drain back to the crankcase, add sufficient oil to bring it to the proper level on the dipstick.

Remove and Install By-Pass Valve

1. Remove the plug and gasket or the screw and retainer and withdraw the spring and by-pass valve.

2. Wash all of the parts in clean fuel oil and dry them with compressed air.

3. Inspect the parts for wear. If necessary, install new parts.

4. Reassemble and install the by-pass valve. Tighten the 1 1/4"-16 by-pass valve plug to 95-105 lb-ft (129-142.8 Nm) or the 1 1/2"-6 plug to 110-130 lb-ft (150-177 Nm) torque.



LUBRICATING OIL COOLER (Plate-Type)

In order to perform its functions satisfactorily, the lubricating oil must be kept within the proper temperature limits. If the oil is too cold, it will not flow freely. If the oil is too hot, it cannot support the bearing loads, it cannot carry away enough heat, and it may result in too great an oil flow. As a consequence, oil pressure may drop below acceptable limits and oil consumption may become excessive.

In performing its lubricating and cooling functions, the oil absorbs a considerable amount of heat and this heat must be dissipated by an oil cooler.

Each engine is provided with an oil cooler mounted on the right-hand side of the cylinder block at the lower front corner (Figs. 1 and 2) as viewed from the flywheel end of the engine. Two engine oil coolers are used on the 16V engine and are centrally located on the side of the cylinder block.

The 6 and 8V naturally aspirated engines usually are equipped with an 18 or 24 plate oil cooler (three plates per cylinder). Most current 6V turbocharged engines are equipped with an 18 plate oil cooler (three plates per cylinder). Former and certain 6V and the 8V turbocharged engines are equipped with a 24 plate oil cooler (four plates per cylinder).

To improve sealing between the oil cooler housing adaptor, gasket and plate on vehicle engines, additional bolt holes and 5/16"-18 bolts have been added (Fig. 3). Only the new adaptor, plate and gasket will be available for service. To use the former adaptor plate with the new gasket and adaptor, drill two additional holes as indicated in Fig. 3.

Oil from the lubricating oil pump flows through a passage in the oil cooler adaptor to the oil filter, then through the oil cooler, and finally through the outlet passage in the cooler adaptor which leads to the cylinder block oil galleries. The engine coolant is pumped through the oil cooler and completely surrounds the oil cooler core.

To ensure continuing engine lubrication should the oil cooler become plugged, a by-pass valve is installed in the oil cooler adaptor (Fig. 4).

Remove Oil Cooler Assembly

1. Drain the cooling system by opening the drain cock at the bottom of the oil cooler housing or water inlet elbow.
2. Remove any accessories or equipment necessary, such as the full flow oil filter, to provide access to the oil cooler.
3. Loosen the clamps and slide the hose down on the water inlet elbow.
4. Remove the bolts and lock washers which retain the water inlet elbow to the oil cooler housing. Then remove the elbow and gasket.
5. If a water outlet elbow is used, loosen the seal clamp. Remove the bolts, nuts and lock washers and withdraw the water outlet flange and seal, or water outlet elbow, seal and gasket.

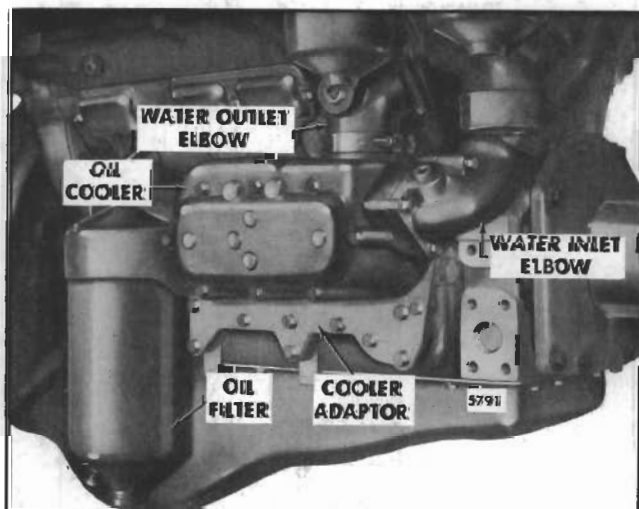


Fig. 1 - Typical Oil Cooler Mounting (6V or 8V Engine)

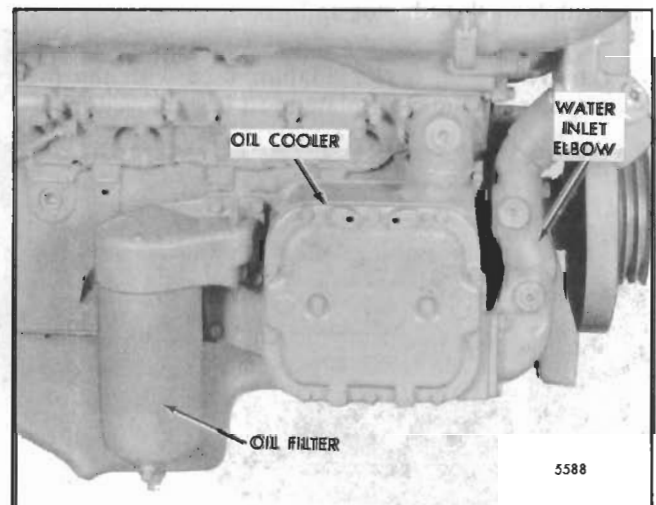


Fig. 2 - Typical Oil Cooler Mounting (Turbocharged Engine)

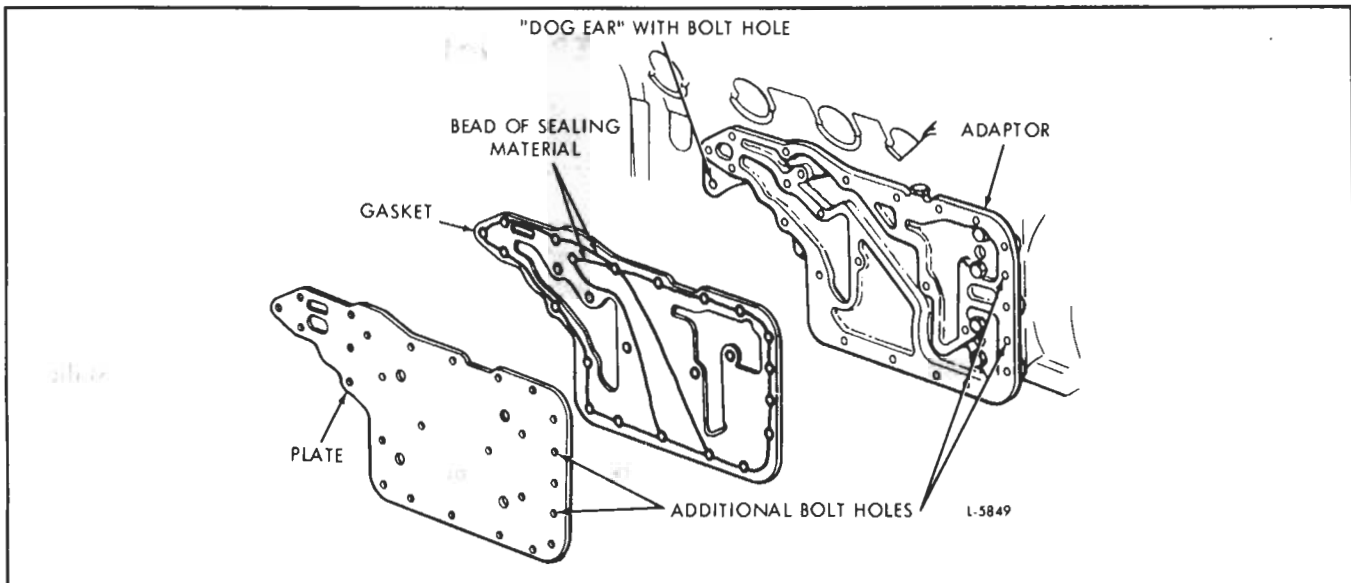


Fig. 3 - Oil Cooler Adaptor (Vehicle Engine)

6. Remove the bolts and lock washers and withdraw the oil cooler housing and oil cooler core as an assembly, using care to avoid dropping the oil cooler core.

If the engine is equipped with a twin plate oil cooler (Fig. 8), remove the two outer bolts at the top of the oil cooler cover and install two studs (approximately 8-1/2" long and with a 5/16"-18 thread at one end) to support the housing, oil cooler core and cover. Then remove the remaining bolts, lock washers and two copper washers. The cover, oil cooler core, housing and gaskets may then be removed.

7. If the oil cooler adaptor is to be removed, first remove the oil filter. Then remove the bolts and lock washers which attach the adaptor to the cylinder block and withdraw the adaptor and gaskets.

To remove the oil cooler adaptor used with the twin plate cooler, the adaptor plate must be removed first.

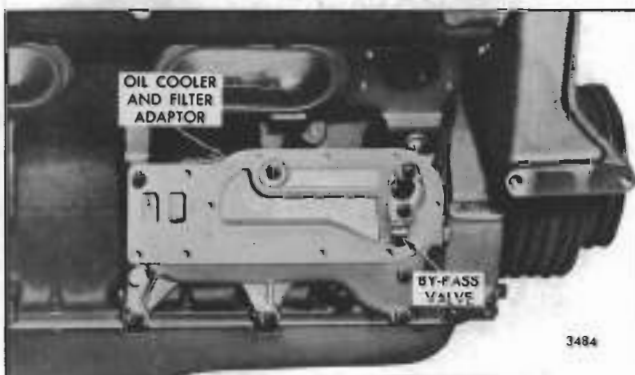


Fig. 4 - Oil Cooler Adaptor and By-Pass Valve Mounting

8. Clean all traces of gasket material from the cylinder block and the oil cooler components.

9. Inspect the vertical oil passage in the cylinder block for the presence of the cup plug which directs the flow of oil through the oil cooler (Fig. 5). Absence of this plug will result in high oil temperature or low oil pressure (resulting from high oil temperature).

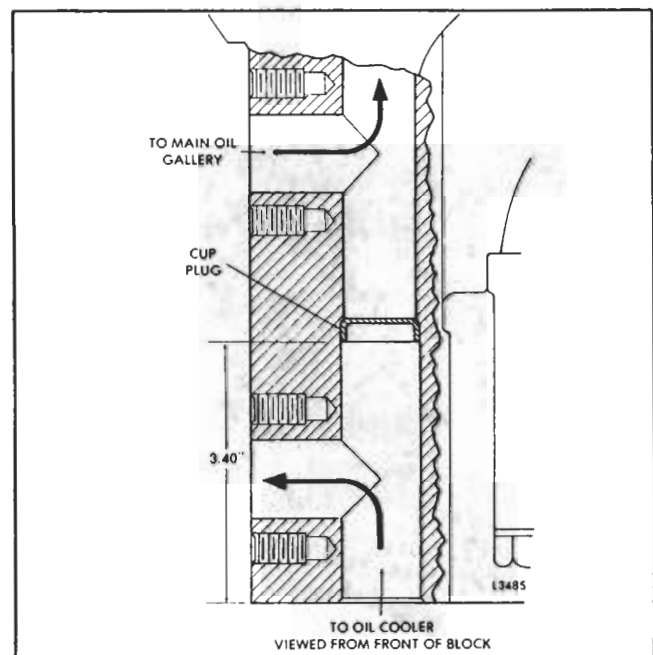


Fig. 5 - Location of Cylinder Block Oil Gallery Cup Plug



Fig. 6 - Oil Cooler Core Prepared for Pressure Check

Clean Oil Cooler Core

1. Clean the oil passages in the oil cooler core by circulating a solution of trichloroethylene through the passages with a force pump.

WARNING: Perform this operation in the open or in a well ventilated room. Avoid breathing the fumes or direct contact of the chemicals with your skin.

Clean the oil cooler core before the sludge hardens. If the oil passages are badly clogged, circulate an Oakite or alkaline solution through the oil cooler core and flush it thoroughly with clean, hot water.

NOTE: Do not attempt to clean an oil cooler core when an engine failure occurs in which metal particles from worn or broken parts are released into the lubricating oil. In this instance, replace the oil cooler core.

2. After cleaning the oil passages, clean the water side of the oil cooler core by immersing it in a solution made as follows: add 1/2 pound of oxalic acid to each 2-1/2 gallons of a solution composed of 1/3 muriatic acid and 2/3 water. The cleaning action is evident by the bubbling and foaming. Carefully observe the process and remove the oil cooler core from the solution when the bubbling stops (this usually takes from 30 to 60 seconds). Then thoroughly flush the oil cooler core with clean, hot water. After cleaning, dip the oil cooler core in light oil.

WARNING: Protect your eyes and avoid breathing the fumes or direct contact of the acid with your skin.

Pressure Check Oil Cooler Core

1. Make a suitable plate and attach it to the flanged side of the oil cooler core. Use a gasket made from rubber to ensure a tight seal. Drill and tap the plate to permit an air hose fitting to be attached at the inlet side of the oil cooler core (Fig. 6).

2. Attach an air hose and apply approximately 75-150 psi (517-1 034 kPa) air pressure. Then submerge the oil cooler core and plate assembly in a tank of water heated to 180 °F (82 °C). Any leaks will be indicated by air bubbles in the water.

WARNING: When making this pressure test be sure that personnel are adequately protected against any stream of pressurized water from a leak or rupture of a fitting, hose or the oil cooler core.

3. After the pressure check is completed, remove the plate and air hose and dry the oil cooler core with compressed air. Replace the oil cooler core if leaks were indicated.

CAUTION: In cases where a leaking oil cooler core has caused contamination of the engine, the engine must be flushed immediately to prevent serious damage (refer to Section 5).

Install Oil Cooler Assembly

Refer to Figs. 7 and 8 and install the oil cooler as follows:

1. If the oil cooler adaptor was removed, use new gaskets and attach the adaptor to the cylinder block with bolts and lock washers. If a twin plate oil cooler is used, use a new gasket and attach the adaptor plate to the oil cooler adaptor.

2. Affix new gaskets to the inner and outer faces of the flange and insert the oil cooler core in the oil cooler housing.

CAUTION: The inlet and outlet openings in the oil cooler core are marked "IN" and "OUT". Make sure the oil cooler core is reinstalled in its original position, otherwise the oil flow will be reversed and could result in foreign particles that may not have been removed to be loosened and circulated through the engine. If the openings are unidentified, it is suggested that they be marked before reinstalling the oil cooler core.

3. Place the housing and oil cooler core against the adaptor and secure them with bolts and lock washers.

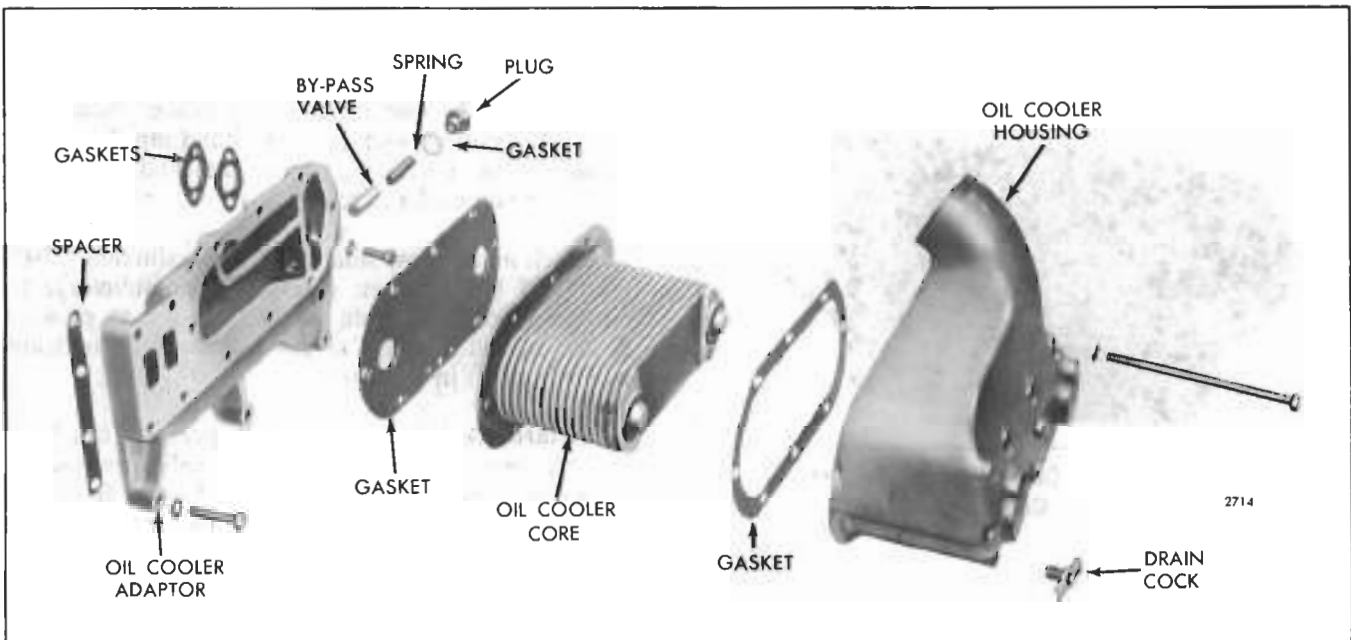


Fig. 7 - Oil Cooler Details and Relative Location of Parts

If a twin plate oil cooler is used, install two guide studs. Then, using new gaskets, slide the housing, oil cooler core and cover over the dowels in the order illustrated in Fig. 8 and secure them in place with bolts, lock washers and new copper washers. Remove the studs and install the remaining two bolts and lock washers.

4. Install the water outlet flange and seal, or water outlet elbow, seal and gasket. Secure the flange or elbow to the cylinder block with bolts, nuts and lock washers. If an elbow is used, tighten the seal clamp.

5. Affix a new gasket to the oil cooler housing at the water inlet opening and secure the water inlet elbow to the housing with bolts and lock washers.

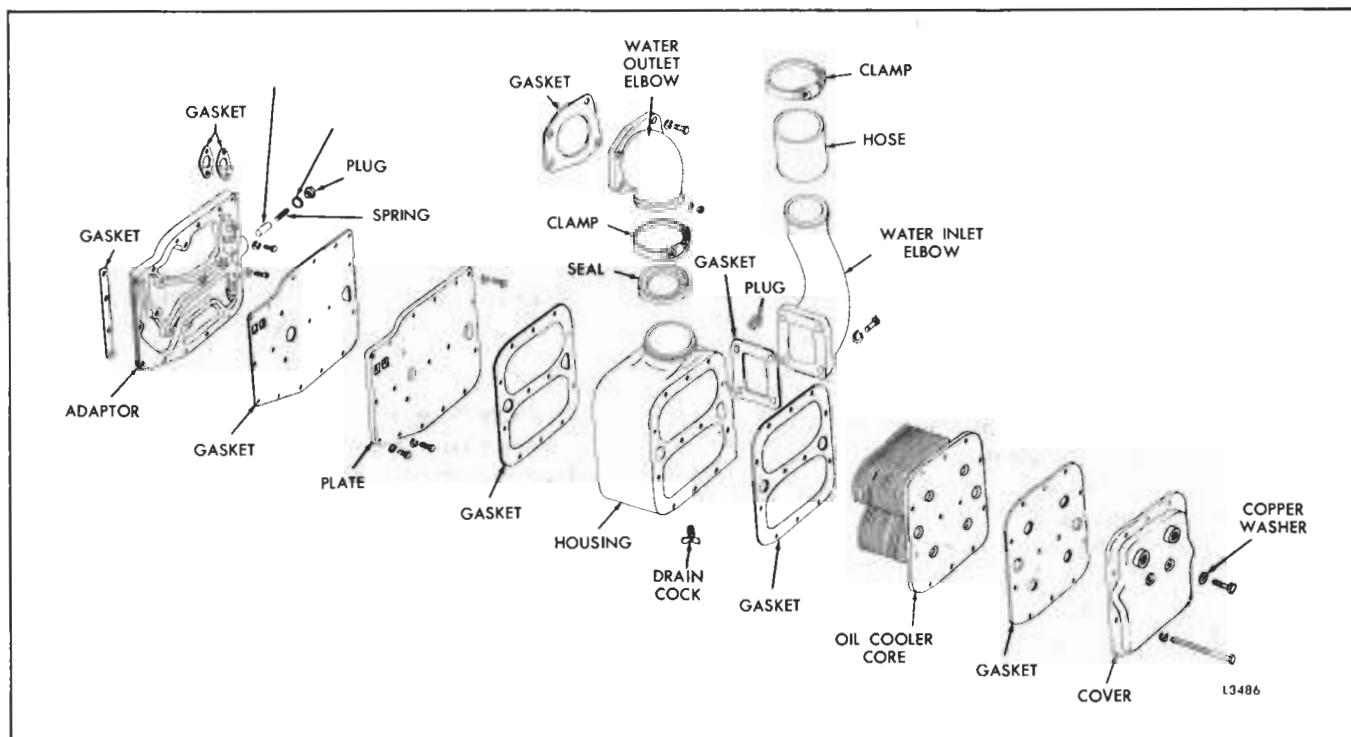


Fig. 8 - Twin Plate Oil Cooler Details and Relative Location of Parts

- 6. Slide the water inlet elbow hose in position and tighten the clamps.
- 7. Install any accessories which were removed to provide access to the oil cooler.
- 8. Close the drain cock in the oil cooler housing and fill the cooling system to the proper level.
- 9. Add sufficient oil to the crankcase to bring the oil level to the proper level on the dipstick.

10. Start and run the engine for a short period and check for oil and water leaks. After any leaks have been corrected and the engine has been stopped long enough (approximately twenty minutes) for the oil from various parts of the engine to drain back to the crankcase, bring the oil level up to the proper level on the dipstick.

LUBRICATING OIL COOLER (Type 1)



LUBRICATING OIL COOLER BY-PASS VALVE

To ensure engine lubrication should the oil cooler become plugged, a by-pass valve is installed in the inlet passage of the oil cooler adaptor (Fig. 4). The valve opens and allows the oil to by-pass the oil cooler when the pressure at the inlet side exceeds the pressure at the outlet side by 40 psi (276 kPa).

The by-pass valve assembly, which consists of a valve, spring, retaining plug and gasket, should be removed, cleaned and reassembled whenever the oil cooler core is cleaned or replaced. However, the by-pass valve can be disassembled without removing the oil cooler on most models.

Remove Oil Cooler By-Pass Valve

Remove the retaining plug and withdraw the gasket, spring and valve from the oil cooler adaptor.

Inspection

Clean the by-pass valve components with fuel oil and dry them with compressed air.

Inspect the valve and spring for wear and replace

them if necessary. The by-pass valve spring has a free length of approximately 2-1/64". Use spring tester J 22738-02 to check the spring load. When a force of 12 pounds or less will compress the spring to 1.793", replace the spring.

Install Oil Cooler By-Pass Valve

Refer to Figs. 7 and 8 and install the by-pass valve as follows:

1. Apply clean engine oil to the outside surface of the valve and place it in the oil cooler adaptor valve cavity, closed end first.
2. Place the spring inside of the valve and place a new gasket on the retaining plug. Install and tighten the plug to 30-40 lb-ft (41-54 Nm) torque.

NOTE: A *slotted* by-pass valve plug is used with the oil cooler adaptor plug on some engines. Tighten this plug to 25-30 lb-ft (34-41 Nm) torque.

LUBRICATING OIL COOLER (Tube-Type)

Certain engines are equipped with a tube-type oil cooler mounted on the side of the engine. Torqmatic converter units use a single basic oil cooler which consists of two sections; one section for the engine oil and the other section for the converter oil (Fig. 9).

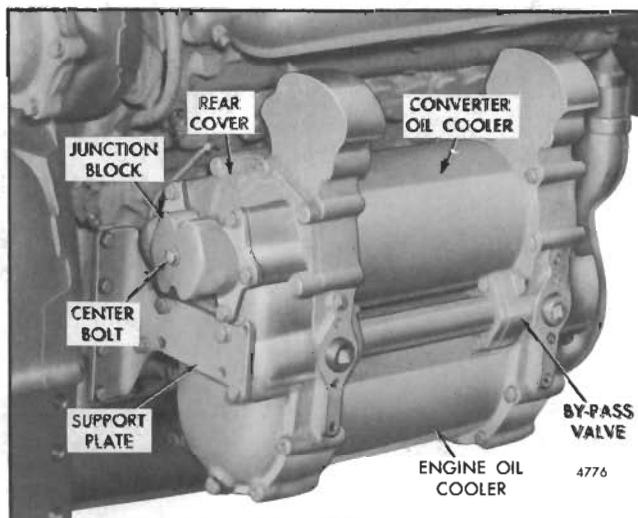


Fig. 9 - Single Tube-Type Oil Cooler Mounting

The Torqmatic brake units use a dual oil cooler of which one section cools the engine oil and three sections are used to cool the brake oil (Fig. 10).

The coolant from the engine water pump flows through a passage in the oil cooler front cover, passes through the tubes of each section of the oil cooler, back to the outlet passage in the front cover, and finally to the water jackets in the cylinder block (Fig. 11).

The engine oil from the lubricating oil pump enters a passage in the oil cooler front cover, passes through the remote mounted oil filter, then around the tubes in the engine section of the oil cooler, back through the outlet passage in the front cover, and then to the oil galleries in the cylinder block (Fig. 12).

A by-pass valve (Fig. 9) is provided which will permit the engine oil to flow directly through the oil cooler should the oil filter become clogged.

Oil from the Torqmatic converter or Torqmatic brake flows through a flexible hose connected to an oil passage in the oil cooler front end-casting, through the converter or brake oil cooler sections and out through

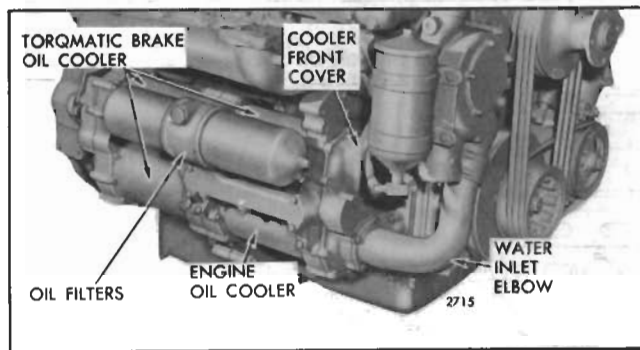


Fig. 10 - Dual Tube-Type Oil Cooler Mounting

an oil passage in the oil cooler rear end-casting to a flexible hose which carries the cool oil back to the converter or Torqmatic brake (Fig. 11).

Remove Oil Cooler

1. Open the drain cock at the bottom of the rear oil cooler cover and drain the cooling system.
2. Disconnect the oil filter lines and the torque converter oil lines at the cooler. Also remove any accessories necessary to provide access to the oil cooler.
3. Loosen the clamps and slide the hose down on the water inlet elbow. Then remove the bolts and lock washers which attach the elbow to the oil cooler front cover and withdraw the elbow and gasket.
4. Loosen the clamp on the water outlet flange seal. Then remove the bolts, nuts and washers which attach the flange to the cylinder block. Remove the flange, gasket, seal and clamp.
5. Remove the bolts and lock washers which attach the oil cooler to the cylinder block and the oil cooler support bracket. Remove the oil cooler and the gaskets.
6. Drain the oil from the oil cooler.
7. Clean the exterior surfaces of the oil cooler with fuel oil.

Clean Oil Cooler

1. Clean the engine oil portion of the oil cooler as follows:

- a. Replace the oil by-pass tube and the oil by-pass valve assembly with a long tube connected between the front and rear end castings of the oil cooler.

- b. Seal the oil outlet (to filter) and oil inlet (from filter) openings in the front and rear oil cooler covers with steel plates and gaskets.
- c. Attach a steel plate, which is fitted with an air hose connection, to the oil outlet (to engine) in the front cover.
- d. Attach an air hose, which is connected to an air supply capable of maintaining approximately 100 psi (689 kPa) pressure during the process of expelling the solvent. Then stand the oil cooler on end so the baffles inside the cooler shell will be in a horizontal position.
- e. Fill the oil cooler with a cleaning solvent and apply air pressure to expel the solvent and sludge.

WARNING: This operation should be performed in the open or in a well ventilated room when toxic chemicals are used. Also, since the solvent and sludge will be expelled with considerable force, it is suggested that the oil cooler be lowered upright in a barrel to prevent injury to personnel and to keep the spray of sludge contained within a small area.

- f. Refill the oil cooler with clean solvent and attach the air hose fitting to the inlet side of the cooler. Apply air pressure to expel the solvent. Repeat the flushing operation in alternate directions until the solvent comes out clean twice from each direction.
- g. Remove the tube which replaced the oil by-pass tube and valve assembly.

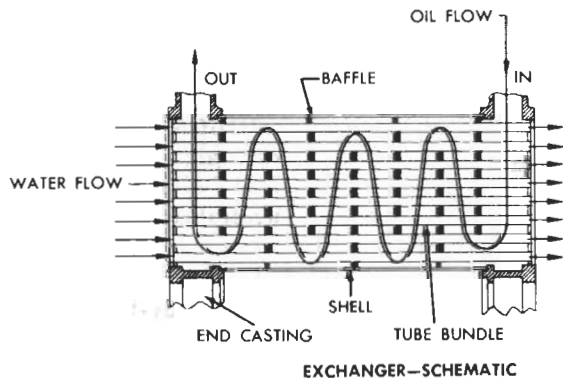
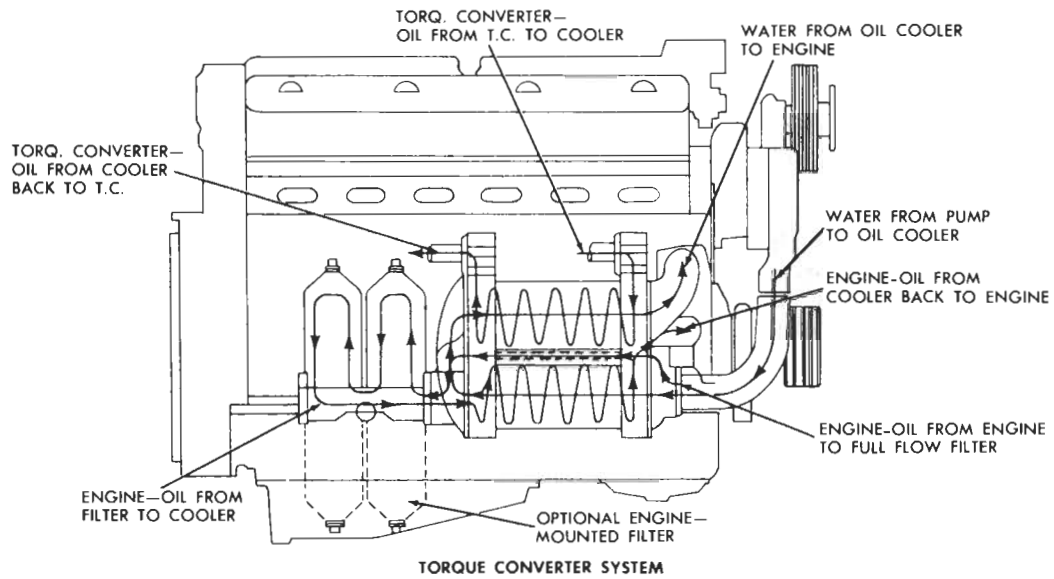
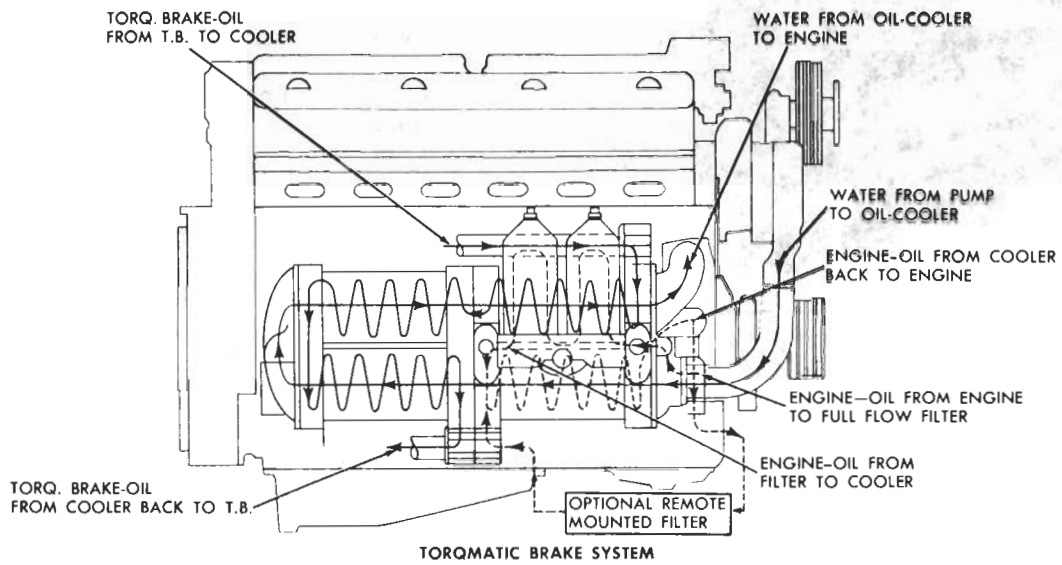
2. Clean the torque converter oil portion of the oil cooler by circulating a cleaning solvent through the oil passages.

3. Clean the water side of the oil cooler by circulating a solvent such as Oakite through the tubes. Then remove the end covers and run a brush through the tubes. After the brushing is completed, rinse the tubes with clean, hot water.

CAUTION: Precautions must be taken so the cleaning agents do not corrode the tubes. If an acid solution is used, the residue must be neutralized.

Inspect Oil By-Pass Valve

Remove the spring retained screw and withdraw the retainer, spring and valve from the valve housing. Use spring tester J 22738-02 to check the valve spring load. Replace the spring if a load of less than 6-1/2 pounds will compress it to a length of 13/16". Examine the



12435

Fig. 11 - Tube-Type Oil Cooler Flow Diagrams

spring retainer. If the retainer is bent, install a new valve assembly.

Assemble Oil Cooler

1. Place the by-pass valve and spring in the valve housing. Then install the spring retainer.

2. Install a new seal ring in each oil by-pass tube flange and slide one flange over each end of the tube. Attach a new gasket to each flange.

3. Install two 3/8"-16 x 5" bolts, with lock washers, through the flange and gasket at one end of the tube. Place the by-pass valve assembly and a new gasket over the ends of the bolts.

4. Place the oil by-pass valve and tube assembly in position and thread the bolts into the front end casting of the oil cooler. Then install two 3/8"-16 x 3-1/2" bolts and lock washers in the flange at the other end of the tube. Tighten all four bolts to 30-35 lb-ft (41-47 Nm) torque.

5. Install the oil hole covers and gaskets used on the opposite side of the oil cooler, if they were previously removed.

6. Use a new front gasket (Fig. 12) and attach the front cover to the oil cooler with ten 3/8"-16 x 3" bolts and lock washers. Tighten the bolts to 30-35 lb-ft (41-47 Nm) torque.

7. Use a new rear gasket (Fig. 12) and attach the rear cover to the oil cooler with ten 3/8"-16 x 3" bolts and lock washers. Tighten the bolts to 30-35 lb-ft (41-47 Nm) torque.

8. On the single tube type oil cooler (Fig. 9), use a new gasket and attach the junction block to the oil cooler rear cover with six 3/8"-16 x 1" bolts and lock washers. Also install the 3/8"-16 x 2" center bolt and lock washer. Tighten the bolts to 30-35 lb-ft (41-47 Nm) torque.

9. On a dual tube type oil cooler (Fig. 13), assemble the two rear cooler cover support plates, the upper retainer plate and the necessary .062" shims with three 3/8"-16 x 1-5/8" bolts. Then assemble the lower retainer plate and necessary .062" shims using a new gasket between the oil cooler cover and support plate with five 3/8"-16 x 1-1/8" bolts and lock washers. Also include the center bolt and lockwasher. Tighten the bolts to 30-35 lb-ft (41-47 Nm) torque.

Install Oil Cooler

1. Attach new gaskets to the mounting pads on the oil cooler front cover and place the oil cooler in position against the cylinder block. Secure the front end of the oil cooler to the cylinder block with four 3/8"-16 x 2-1/4" bolts and lock washers. Then secure the rear end of the oil cooler to the support bracket with four 3/8"-16 x 1" bolts and lock washers. Tighten all of the oil cooler mounting bolts to 30-35 lb-ft (41-47 Nm) torque.

2. Place the water outlet flange seal and clamp in position. Then use a new gasket and install the flange. Use new copper washers with the two bolts. Tighten the bolts to 30-35 lb-ft (41-47 Nm) torque and the nuts to 35-39 lb-ft (47-53 Nm) torque.

3. Use a new gasket and attach the water inlet elbow to the oil cooler front cover with four 3/8"-16 x 1-1/8" bolts and lock washers. Tighten the bolts to 30-35 lb-ft (41-47 Nm) torque. Then slide the water inlet elbow hose in place and tighten the clamps.

4. Connect the oil filter and torque converter oil lines to the oil cooler.

5. Install any accessories that were removed to provide access to the oil cooler.

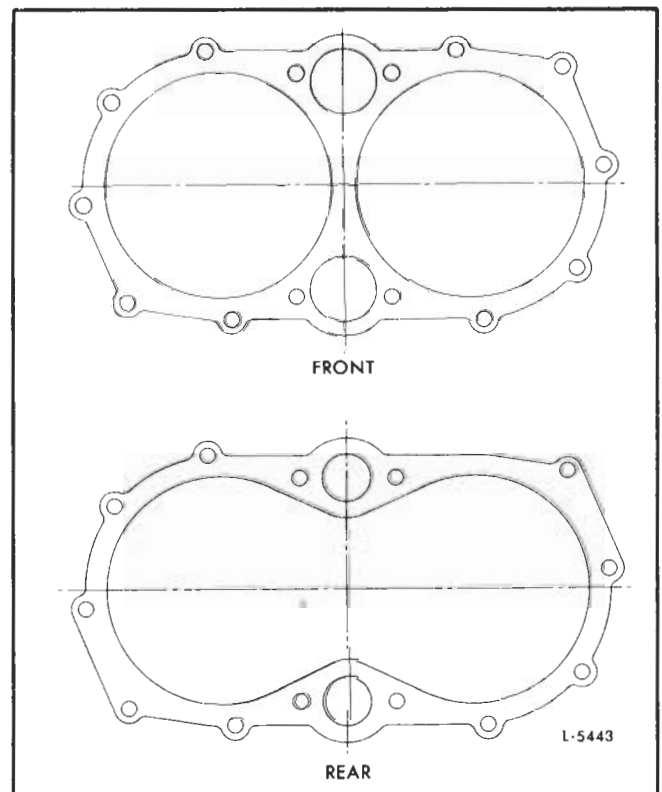


Fig. 12 - Cover Gaskets for Dual Tube Type Oil Cooler

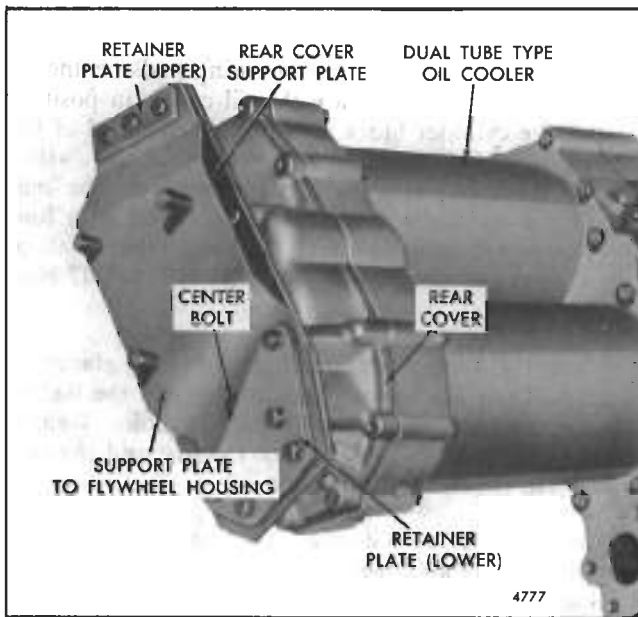


Fig. 13 - Dual Tube Type Oil Cooler

6. Install any pipe plugs that were removed.
7. Close the drain cock in the oil cooler rear cover and fill the cooling system to the proper level.
8. Add sufficient oil to the crankcase to bring the oil level to the proper level on the dipstick.
9. Start and run the engine for a short period and check for oil leaks. After any oil leaks have been corrected, and the engine has been stopped long enough (approximately twenty minutes) for the oil from various parts of the engine to drain back to the crankcase, bring the oil level up to the proper level on the dipstick.

OIL LEVEL DIPSTICK

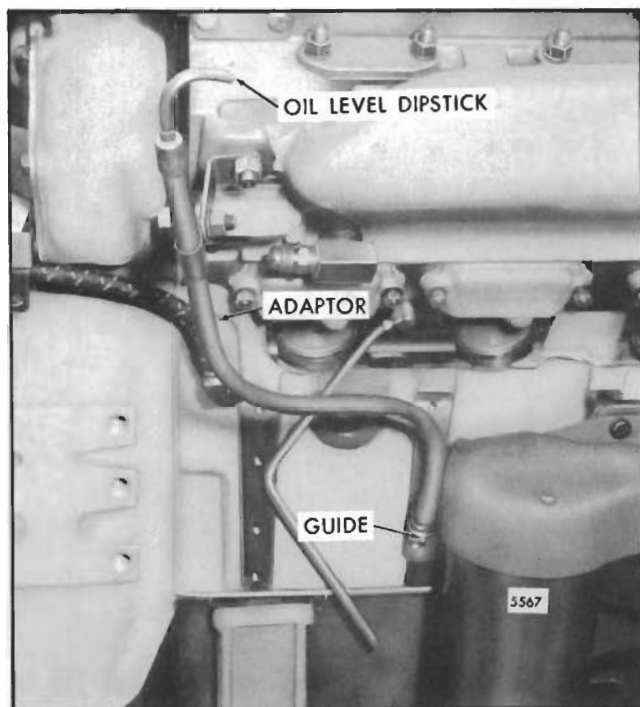


Fig. 1 - Typical Dipstick Mounting

A steel ribbon type oil level dipstick is used to check the quantity of oil in the engine oil pan. The dipstick is located in the side of the cylinder block or the oil pan (Fig. 1).

Maintain the oil level between the full and low marks on the dipstick and never allow it to drop below the low mark. No advantage is gained by having the oil level above the full mark. Overfilling will cause the oil to be churned by the crankshaft throws causing

foaming or aeration of the oil. Operation below the low mark will expose the pump pick-up causing aeration and/or loss of pressure.

Check the oil level after the engine has been stopped for a minimum of twenty minutes to permit oil in the various parts of the engine to drain back into the oil pan.

Dipsticks are normally marked for use only when the equipment the engine powers is on a level surface. Improper oil levels can result if the oil level is checked with the equipment on a grade.

Fill the crankcase with oil as follows:

1. Fill the oil pan to the full mark on the dipstick.
2. Start and run the engine for approximately ten minutes.
3. Stop the engine and wait a minimum of twenty minutes. Then add the required amount of oil to reach the full mark on the dipstick.

NOTE: Each engine oil filter will require approximately two additional quarts (1.9 litres) of oil.

Marine Engines

Dipsticks in marine engines are located and marked to provide the proper oil level at any angle within the recommended maximum installation angle applicable to the specific boat.

In a properly filled crankcase, the oil level must be below the crankshaft rear oil seal when the boat is at rest.

OIL PAN

The V-92 engines may be equipped with a stamped steel cast iron or aluminum oil pan. Either a one-piece oil pan (Fig. 1) or an upper and lower pan bolted together may be used. Certain 16V engines are equipped with an upper oil pan and two lower pans. Depending upon the model application, oil pans may be provided to permit an engine inclination of up to 45°.

Some oil pans are provided with an oil level dipstick adaptor and oil filler adaptor mounting holes.

A sectional oil pan gasket, consisting of two side sections and two end sections, incorporate all the necessary bolt holes.

Remove and Install Oil Pan

1. Remove the drain plug and drain the oil.
2. Remove the bolt and washer assemblies and detach the oil pan, being careful not to damage the oil pump piping and inlet screen.

NOTE: The stamped metal oil pans used on some marine engines have a thin protective coating to shield the metal against the action of a salt water atmosphere. Therefore, do not rest, slide or rock the engine on its oil pan. If the surface of the oil pan is scratched, electrolysis will take place and damage to the oil pan will result. Also exercise care when performing engine repairs, to avoid scratching the outer surfaces of the oil pan.

3. Clean all of the old gasket material from the

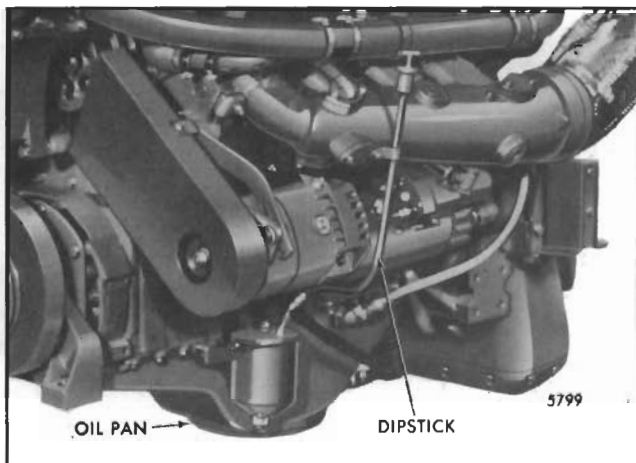


Fig. 1 - Typical One-Piece Oil Pan

cylinder block and the oil pan. Clean the oil pan with fuel oil and dry it thoroughly with compressed air.

4. Inspect a cast oil pan for porosity or cracks, a stamped oil pan for dents or other damage which may necessitate repair or replacement. Check for misaligned flanges or raised surfaces surrounding the bolt holes by placing the pan on a surface plate or other large flat surface.

5. When installing the oil pan on a 6 or 8V engine, use a new gasket(s) and, starting with the center bolt on each side and working alternately toward each end of the pan, tighten the bolts to 10-20 lb-ft (14-27 Nm) torque. *Do not overtighten the bolts.* Once the bolts are tightened to the specified torque, do not retighten them as it could be detrimental to the current type oil pan gasket. If a leak should develop at the oil pan, check if the lock washer is compressed. If not, the bolt may be tightened. However, if the lock washer is compressed and leaking occurs, remove the oil pan and determine the cause of the leakage.

NOTE: Current oil pan bolts (stamped metal pans) are coated with a locking material. To reactivate the locking ability of the bolts, apply a drop or two of Loctite J 26558-242, or equivalent, to the threads of the bolts at re-assembly.

6. When installing the upper oil pan on a 16V engine, use a new gasket(s) and place the oil pan in position against the cylinder block and flywheel housing. Install all of the 3/8"-16 oil pan attaching bolts and lock washers finger tight only. Then install the two 3/4"-10 oil pan to flywheel housing bolts and lock washers to draw the oil pan tight against the flywheel housing. Next, tighten the 3/8"-16 oil pan bolts to draw the oil pan tight against the cylinder block. Now tighten the 3/4"-10 bolts to 240-250 lb-ft (325-339 Nm) torque and the 3/8"-16 oil pan bolts to 10-20 lb-ft (14-27 Nm) torque. When tightening the oil pan bolts, tighten the center bolts first working alternately towards each end of the oil pan. Then install the lower oil pans and tighten the attaching bolts.

7. Install and tighten the drain plug to 25-35 lb-ft (34-47 Nm) torque.

8. Fill the oil pan with new oil (refer to Sections 4.6 and 13.3) to the full mark on the dipstick. Then start and run the engine for a short period to check for oil leaks.

9. Stop the engine and, after approximately twenty minutes, check the oil level. Add oil, if necessary.

VENTILATING SYSTEM

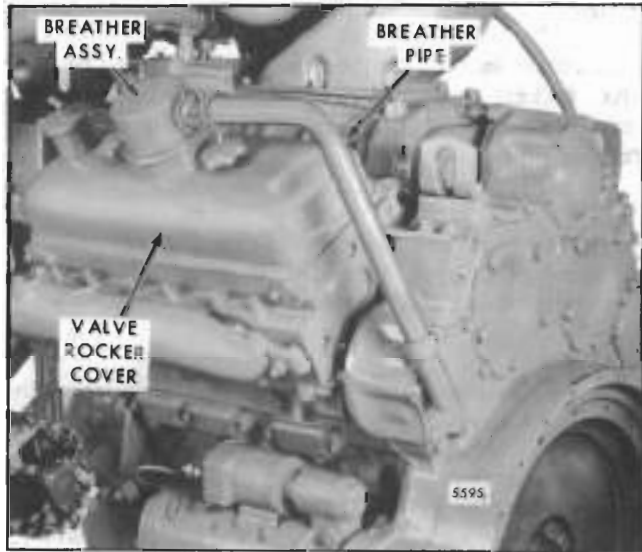


Fig. 1 - Typical Mounting of Breather Assembly on Valve Rocker Cover

Harmful vapors which may be formed within the engine are removed from the crankcase, gear train and valve compartment by a continuous pressurized ventilating system.

Breathing is through two openings in the rear main bearing bulkhead of the crankcase and one large hole in the cylinder block rear end plate. They connect to a central chamber (separated from chambers on each side which carry oil draining back from the cylinder heads) that leads to an exit at the top of the cylinder block.

An external tube(s) connects the cylinder block exit hole at the rear of the cylinder head(s).

The current left bank cylinder head to cylinder block breather system (Fig. 2) consist of an elbow bolted to the side of the cylinder head and a tube pressed in the opening at the top rear end of the cylinder block. They are joined with a rubber hose and clamps. The former breather system continues for the right bank cylinder head to cylinder block breather system, and will continue to be used on both banks for certain engine applications, because of clearance considerations.

The rocker cover(s) provides a large cross-sectional air flow area at maximum height for efficient breathing and oil separation. A breather assembly(s) is mounted at the openings in the rocker cover(s).

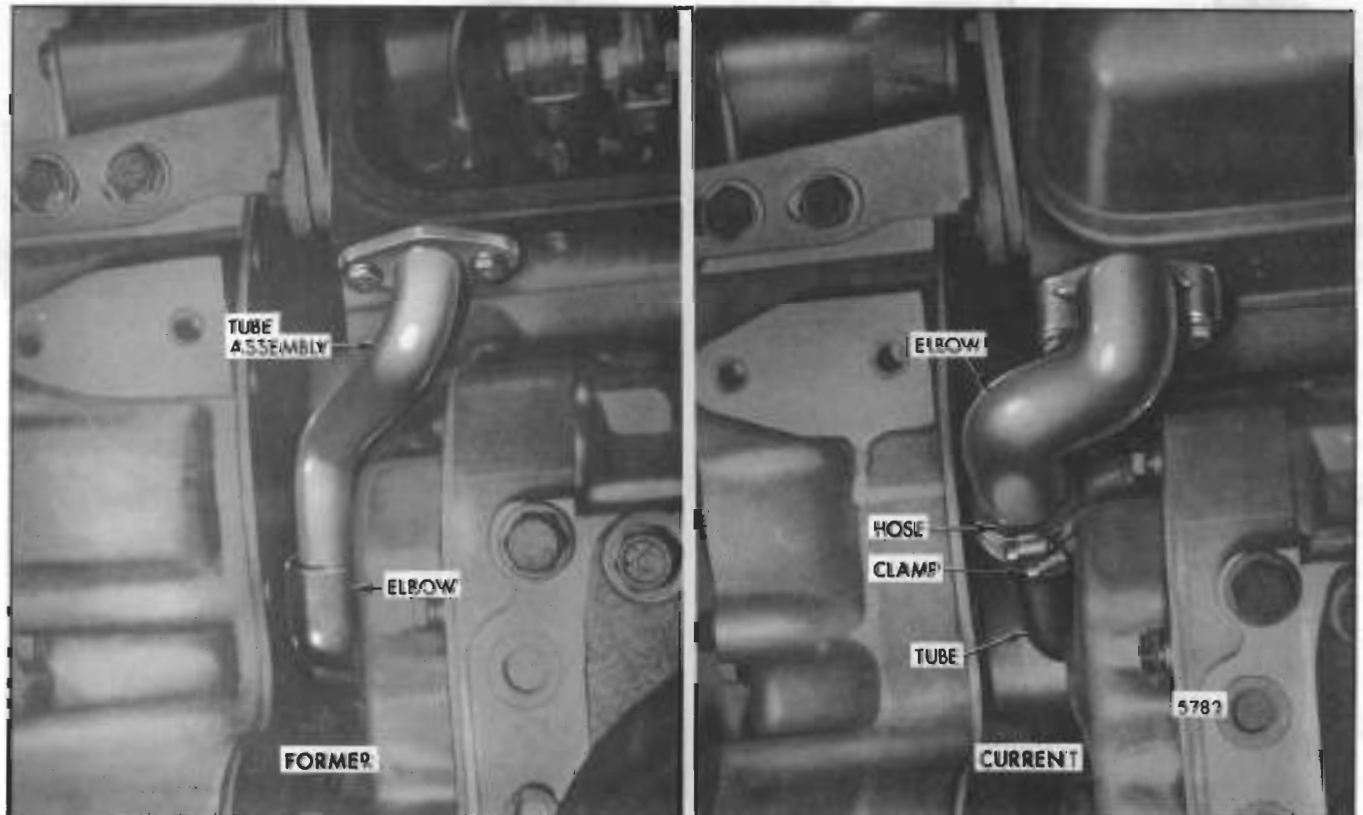


Fig. 2 - Cylinder Block to Cylinder Head Breather Systems for 6V Engines

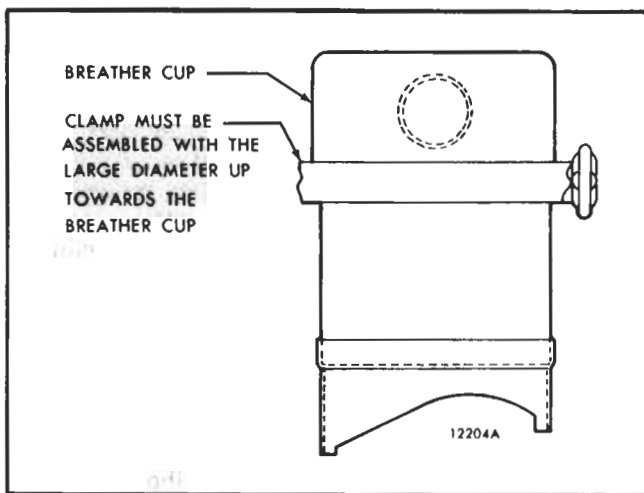


Fig. 3 - Correct Installation of Breather Clamp

To index the breather assembly exhaust outlet on the current aluminum die cast valve rocker covers, no disassembly is required. Insert a 1-1/8" outer diameter

pipe or wood dowel into the exhaust outlet, apply pressure and rotate the outlet to the desired location.

Service

The element in the breather assembly mounted on the valve rocker cover (Fig. 1) should be cleaned if excessive crankcase pressure occurs. Also clean the breather pipe.

NOTE: Dirt can collect around the breather clamp. Clean out the dirt thoroughly before disassembling the breather.

Wash the element in fuel oil and dry it with compressed air.

When reassembling the breather on the rocker cover, be sure the clamp is installed with the large (open) diameter facing up as illustrated in Fig. 3. If the clamp is improperly installed, it could eventually loosen.


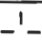



SPECIFICATIONS - SERVICE TOOLS

SPECIFICATIONS

STANDARD BOLT AND NUT TORQUE SPECIFICATIONS

THREAD SIZE	260M BOLTS TORQUE		THREAD SIZE	280M OR BETTER TORQUE	
	(lb-ft)	Nm		(lb-ft)	Nm
1/4 -20	5- 7	7- 9	1/4 -20	7-9	10-12
1/4 -28	6- 8	8-11	1/4 -28	8-10	11-14
5/16-18	10-13	14-18	5/16-18	13-17	18-23
5/16-24	11-14	15-19	5/16-24	15-19	20-26
3/8 -16	23-26	31-35	3/8 -16	30-35	41-47
3/8 -24	26-29	35-40	3/8 -24	35-39	47-53
7/16-14	35-38	47-51	7/16-14	46-50	62-68
7/16-20	43-46	58-62	7/16-20	57-61	77-83
1/2 -13	53-56	72-76	1/2 -13	71-75	96-102
1/2 -20	62-70	84-95	1/2 -20	83-93	113-126
9/16-12	68-75	92-102	9/16-12	90-100	122-136
9/16-18	80-88	109-119	9/16-18	107-117	146-159
5/8 -11	103-110	140-149	5/8 -11	137-147	186-200
5/8 -18	126-134	171-181	5/8 -18	168-178	228-242
3/4 -10	180-188	244-254	3/4 -10	240-250	325-339
3/4 -16	218-225	295-305	3/4 -16	290-300	393-407
7/8 - 9	308-315	417-427	7/8 - 9	410-420	556-569
7/8 -14	356-364	483-494	7/8 -14	475-485	644-657
1 - 8	435-443	590-600	1 - 8	580-590	786-800
1 -14	514-521	697-705	1 -14	685-695	928-942

Grade identification markings are normally stamped on the heads of the bolts. To aid identification of the various bolts used in Detroit Diesel engines, refer to the following chart.

Grade Identification Marking on Bolt Head	GM Number	SAE Grade Designation	Nominal Size Diameter (inch)	Tensile Strength Min. (psi)
None	GM 255-M	1	No. 6 thru 1 1/2	60,000
None	GM 260-M	2	No. 6 thru 3/4 over 3/4 to 1 1/2	74,000 60,000
 Bolts and Screws	GM 280-M	5	No. 6 thru 1 over 1 to 1 1/2	120,000 105,000
 Hex Head Sems Only	GM 275-M	5.1	No. 6 thru 3/8	120,000
 Bolts and Screws	GM 290-M	7	1/4 thru 1 1/2	133,000
 Bolts and Screws	GM 300-M	8	1/4 thru 1 1/2	150,000
 Bolts and Screws	GM 455-M	None	No. 6 thru 1 1/2	55,000

BOLT IDENTIFICATION CHART

EXCEPTIONS TO STANDARD BOLT AND NUT TORQUE SPECIFICATIONS

APPLICATION	THREAD SIZE	(lb-ft)	TORQUE Nm
Oil pan bolts	5/16-18	10-12	14-16
Oil pan bolts	3/8 -16	10-20	14-27
Lubricating oil filter center stud	5/8 -18	50-60	68-81
Oil pan drain plug (nylon washer)	18mm	25-35	34-47

SERVICE TOOLS

TOOL NAME	TOOL NO.
Bar type gear puller	J 24420
Oil pump drive and driven gear installer (16V)	J 9382
Oil pump drive gear installer (16V)	J 9380
Oil pump drive shaft gear installer (6 and 8V)	J 22397
Oil pump driven gear installer (16V)	J 9381
Oil pump driven shaft gear installer (6 and 8V)	J 22398
Oil pump driving gear installer (6 and 8V)	J 22285
Spring tester	J 22738-02
Strap wrench (spin-on filter)	J 24783

SECTION 5

COOLING SYSTEM

CONTENTS

Cooling System.....	5
Water Pump.....	5.1
Water Manifold.....	5.2
Thermostat.....	5.2.1
Radiator.....	5.3
Coolant Pressure Control Cap.....	5.3.1
Engine Cooling Fan.....	5.4
Heat Exchanger.....	5.5
Raw Water Pump (Jabsco).....	5.6
Coolant Filter and Conditioner.....	5.7
Shop Notes - Specifications - Service Tools.....	5.0

COOLING SYSTEM

To effectively dissipate the heat generated by the engine, one of three different types of cooling systems is used on V-92 engines: radiator and fan, heat exchanger and raw water pump, or keel cooling. Each system is provided with a centrifugal type water pump that circulates the engine coolant. Each system incorporates thermostats to maintain a normal engine operating temperature (refer to Section 13.2).

Upon starting a cold engine or when the coolant is below operating temperature, the coolant flow to the radiator is blocked or restricted by the thermostats in the thermostat housings. A by-pass provides coolant circulation within the engine during the warm-up period.

RADIATOR COOLING SYSTEM

Coolant is drawn from the lower portion of the radiator by the water pump and is forced through the oil cooler housing and into the cylinder block (Fig. 1).

From the cylinder block, the coolant passes up through

the cylinder heads and, when the engine is at normal operating temperature, through the thermostats into the upper portion of the radiator. The coolant passes down a series of tubes where its temperature is lowered by the air stream created by the revolving fan.

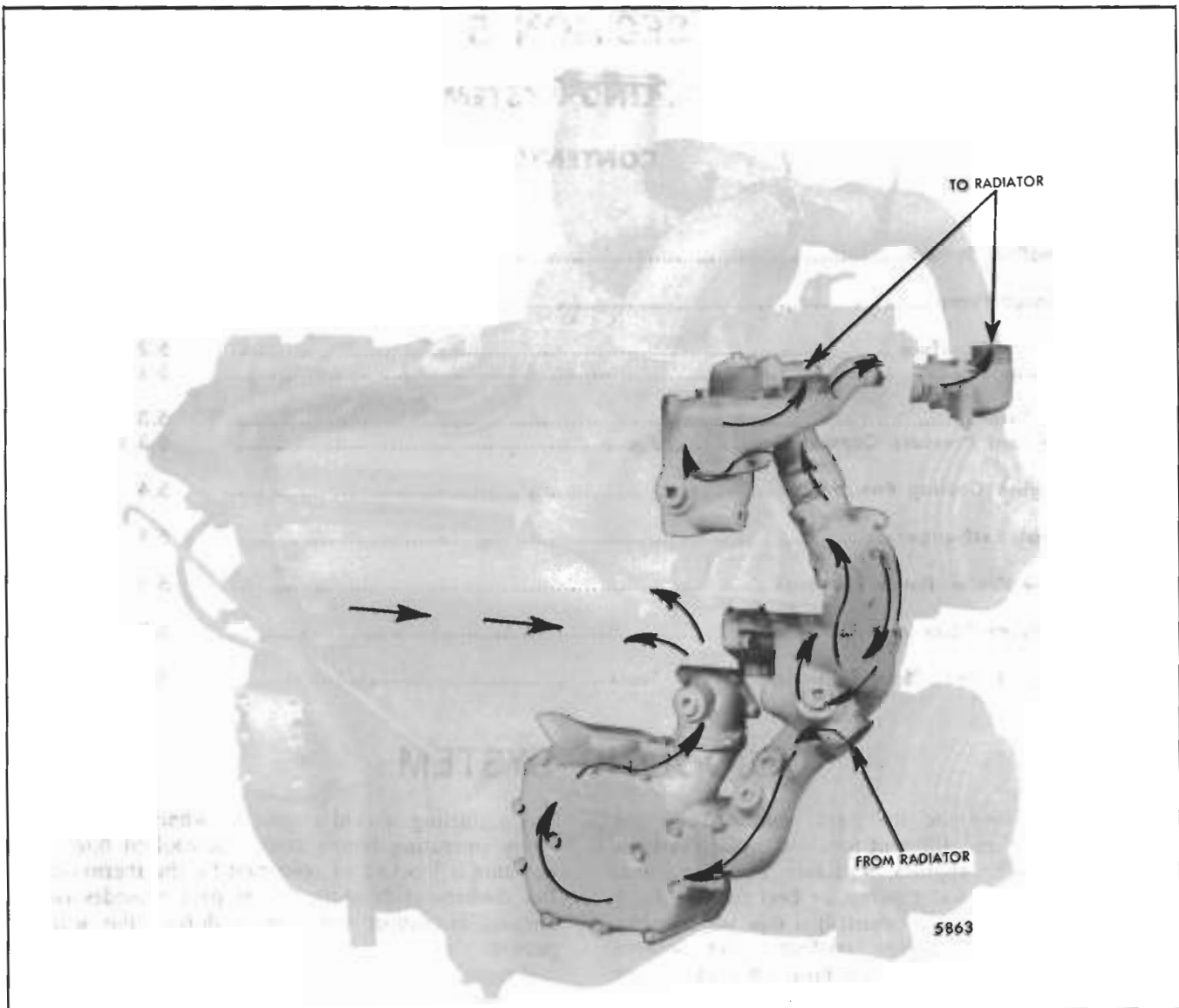


Fig. 1 · Cooling System

HEAT EXCHANGER COOLING SYSTEM

In the heat exchanger cooling system, the coolant is drawn by the engine water pump from the heat exchanger and is forced through the engine oil cooler, cylinder block, cylinder heads and exhaust manifolds to the thermostat housings. A by-pass from the thermostat housings to the inlet side of the water pump permits circulation of coolant through the

engine when the thermostats are closed. When the thermostats are open, the coolant flows through the heat exchanger where it is cooled.

An engine driven raw water pump circulates raw water (sea water) through the heat exchanger to lower the temperature of the engine coolant.

KEEL COOLING SYSTEM

In the keel cooling system, the coolant is drawn by the engine water pump from the keel cooler and is forced through the engine oil cooler, cylinder block, cylinder heads and exhaust manifolds to the thermostat

housings. A by-pass from the thermostat housings to the inlet side of the water pump permits circulation of coolant through the engine when the thermostats are

closed. When the thermostats open, the coolant flows through the keel cooling coils to be cooled.

The heat of the engine coolant is transferred through the coils of the keel cooler to the surrounding sea water.

ENGINE COOLING SYSTEM MAINTENANCE

The function of the engine coolant is to absorb the heat, developed as a result of the combustion process in the cylinders, from components of the engine such as exhaust valves, pistons and cylinder liners which are surrounded by water jackets. In addition, heat absorbed by the oil is also removed by the engine coolant in the oil-to-water oil cooler. When operating within the proper temperature range and not exceeding the recommended horsepower output of the unit, all engine parts will be within their design operating temperature range and at their proper operating clearances. Coolant must be properly selected and maintained (refer to Section 13.3 for coolant recommendations).

A pressurized cooling system, which normally operates at temperatures higher than a non-pressurized system, is used. It is essential that the cooling system is kept clean and leakproof, that the filler cap and pressure relief mechanism be correctly installed and that the coolant level be properly maintained.

CAUTION: Use extreme care when removing a coolant pressure control cap. The sudden release of pressure from a heated cooling system can result in loss of coolant and possible personal injury (scalding) from the hot liquid.

Cooling System Capacity

The capacity of the basic engine cooling system, (cylinder block, cylinder heads, water manifolds, thermostat housings and oil cooler housing) is shown in Table 1. These quantities do not include the capacity of the radiator, hoses or related equipment.

Engine	Cooling System Capacity	
	Gallons	Litres
6V-92, T, TT	6	22.7
6V-92TA, TTA	6-1/8	23.2
8V-92, T, TT	7	26.5
8V-92TA, TTA	7-3/8	27.9
16V-92, T	14-1/2	54.9
Aftercooler Capacity		
6V-92TA	.200	.76
8V-92TA	.375	1.42

TABLE 1

Fill Cooling System

Before starting the engine, close all of the drain cocks and fill the cooling system with coolant (Section 13.3). If the unit has a raw water pump, it should be primed, since operation without water may cause impeller failure.

Start the engine and, after the normal operating temperature has been reached, check the coolant level. The coolant level should be within two inches of the top of the filler neck.

Should a daily loss of coolant be observed, and there are no apparent leaks, there is a possibility that gases are leaking past the cylinder head water seal rings into the cooling system. The presence of air or gases in the cooling system may be detected by connecting a rubber tube between the overflow pipe and a container of water. Bubbling of the water in the container during engine operation will indicate leakage. Another method for observing air in the cooling system is by inserting a transparent tube in the engine coolant outlet line.

Drain Cooling System

To ensure that all of the coolant is drained completely from a unit, all cooling system drains should be opened. Should any entrapped water in the cylinder block or radiator freeze, it will expand and may cause damage. When freezing weather is expected, drain all units not adequately protected by antifreeze. Leave all drain cocks open until refilling the cooling system.

The engine coolant is drained by opening the drain cocks and removing the cooling system filler cap. Removal of the filler cap permits air to enter the cooling passages and the coolant to drain completely from the system.

On 6 and 8V engines, cylinder block drain cocks are located on each side of the cylinder block at the rear, below the exhaust manifolds and at the front of the engine.

On 16V engines, a drain cock is located on each side of the cylinder block, below the exhaust manifold, at both the front and the rear of the engine.

In addition to the cylinder block drains, the oil cooler housing has a drain cock at the extreme bottom.

Radiators are drained by opening a drain cock in the bottom tank.

Marine engine exhaust manifolds are cooled by the same coolant used in the engine. Whenever the engine cooling system is drained, open the exhaust manifold drain cocks.

Raw water pumps are drained by loosening the cover attaching screws and tapping the cover gently to loosen it. After the water has drained, tighten the screws.

Flushing

If the cooling system is contaminated, flush the cooling system as follows:

1. Drain the coolant from the engine.
2. Refill with soft clean water.

NOTE: If the engine is hot, fill *slowly* to prevent rapid cooling and distortion of the engine castings.
3. Start the engine and operate it for fifteen minutes to thoroughly circulate the water.
4. Drain the engine completely.
5. Refill with the solution required (refer to Section 13.3).

Cooling System Cleaners

If the engine overheats, and the fan belt tension and coolant level have been found to be satisfactory, it may be necessary to clean and flush the entire cooling system. Remove scale formation by using a reputable and safe de-scaling solvent. Immediately after using the de-scaling solvent, neutralize the system with the neutralizer. It is important that the directions printed on the container of the de-scaler be thoroughly read and followed.

After the solvent and neutralizer have been used, completely drain the engine and radiator and reverse-flush, as outlined below, before filling the system.

Reverse-Flushing

After the engine and radiator have been thoroughly cleaned, they should be reverse-flushed. The water pump should be removed and the radiator and engine reverse-flushed separately to prevent dirt and scale deposits clogging the radiator tubes or being forced

through the pump. Reverse-flushing is accomplished by hot water, under air pressure, being forced through the cooling system in a direction opposite to the normal flow of coolant, loosening and forcing scale deposits out.

The radiator is reverse-flushed as follows:

1. Remove the radiator inlet and outlet hoses and replace the radiator cap.
2. Attach a hose at top of the radiator to lead water away from the engine.
3. Attach a hose to the bottom of the radiator and insert the flushing gun in the hose.
4. Connect the water hose of the gun to the water outlet and the air hose to the compressed air outlet.
5. Turn on the water and, when the radiator is full, turn on the air in short blasts, allowing the radiator to fill between air blasts.

NOTE: Apply air gradually. Do not exert more than 30 psi (207 kPa) air pressure. Too great a pressure may rupture a radiator tube.

6. Continue flushing until only clean water is expelled from the radiator.

The cylinder block and cylinder head water passages are reverse-flushed as follows:

1. Remove the thermostats and the water pump.
2. Attach a hose to the water inlet of the cylinder block to drain the water away from the engine.
3. Attach a hose to the water outlet at top of the engine and insert the flushing gun in the hose.
4. Turn on the water and, when the water jackets are filled, turn on the air in short blasts, allowing the engine to fill with water between air blasts.
5. Continue flushing until the water from the engine runs clean.

If scale deposits in the radiator cannot be removed by chemical cleaners or reverse-flushing as outlined above, it may be necessary to remove the upper tank and rod out the individual radiator tubes with flat steel rods. Circulate water through the radiator core from the bottom to the top during this operation.

Miscellaneous Cooling System Checks

In addition to the above cleaning procedures, the other components of the cooling system should be checked periodically to keep the engine operating at peak efficiency. The cooling system hoses, thermostats and radiator pressure cap should be checked and replaced if found to be defective.

When water connection seals and hoses are installed, be sure the connecting parts are properly aligned and the seal or hose is in its proper position before tightening the clamps.

All external leaks should be corrected as soon as detected.

The fan belts must be checked and adjusted, if necessary, to provide the proper tension. The fan shroud must be tight against the radiator core to prevent re-circulation of air which may lower the cooling efficiency.

Contaminated Engines

When the engine cooling or lubricating system becomes contaminated, it should be flushed thoroughly to remove the contaminants before the engine is seriously damaged. One possible cause of such contamination is a cracked oil cooler core. With a cracked oil cooler core, oil will be forced into the cooling system while the engine is operating and, when it is stopped, coolant will leak into the lubricating system.

Coolant contamination of the lubricating system is especially harmful to engines when the cooling system is filled with an ethylene glycol antifreeze solution. When mixed with the oil in the crankcase, this antifreeze forms a varnish which can cause the engine to seize or result in severe bearing wear.

Make certain that the cause of the internal coolant leak has been corrected before flushing the contaminated system(s).

Contaminants may be flushed from the engine systems as follows:

COOLING SYSTEM

If the engine has had a failure resulting in the contamination of the cooling system with lubricating oil, this flushing procedure is recommended.

1. Prepare a mixture of Calgon, or equivalent, and water at the rate of two ounces (dry measure) to one gallon of water.

2. Remove the engine thermostats to permit the Calgon and water mixture to circulate through the engine and the radiator or heat exchanger.

3. Fill the cooling system with the Calgon solution.

4. Run the engine for five minutes.

5. Drain the cooling system.

6. Repeat Steps 1 through 5.

7. Fill the cooling system with clean water.

8. Let the engine run five minutes.

9. Drain the cooling system completely.

10. Install the engine thermostats.

11. Close all of the drains and refill the cooling system with fresh coolant (Refer to Section 13.3).

LUBRICATION SYSTEM

When the engine lubricating system has been contaminated by an ethylene glycol antifreeze solution, or other water soluble material, the following cleaning procedure, using Butyl Cellosolve, or equivalent, is recommended.

CAUTION: Use extreme care in the handling of these chemicals to prevent serious injury to the person or damage to finished surfaces. Wash off spilled fluid immediately with clean water.

1. Drain all of the lubricating oil.

2. Remove and discard the oil filter elements. Clean and dry the filter shells and replace the elements.

3. Mix two parts of Butyl Cellosolve, or equivalent, with one part SAE 10 engine oil. Fill the engine crankcase to the proper operating level with the mixture.

4. Start and run the engine at a fast idle (1,000 to 1,200 rpm) for thirty minutes to one hour. Check the oil pressure frequently.

5. After the specified time, stop the engine and immediately drain the crankcase and the filters. *Sufficient time must be allowed to drain all of the fluid.*

6. Replace the drain plugs and refill the crankcase with SAE 10 oil and run the engine at the same fast idle for ten or fifteen minutes and again drain the oil thoroughly.

7. Remove and discard the oil filter elements, clean the filter shells and install new elements.

8. Replace the drains and fill the crankcase to the proper level with the oil recommended for normal engine operation.

9. To test the effectiveness of the cleaning procedure, it is recommended that the engine be started and run at a fast idle (1,000 to 1,200 rpm) for approximately thirty minutes. Then stop and immediately re-start the

engine. There is a possibility that the engine is not entirely free of contaminant deposits if the starting speed is slow.

10. If the procedure for cleaning the lubricating oil system was not successful, it will be necessary to disassemble the engine and to clean the affected parts thoroughly.

WATER PUMP (6 and 8V Engines)

The centrifugal-type water pump (Fig. 1) circulates the engine coolant through the cylinder block, cylinder heads, radiator or heat exchanger and the oil cooler.

The pump is mounted on the engine front cover and is driven by the 66 tooth front camshaft gear (water pump drive). The water pump gear has 42 teeth and meshes with the water pump drive gear.

A bronze impeller is secured to one end of a stainless steel shaft by a lock nut. The water pump gear is pressed on the opposite end of the shaft. Two ball bearings are used to carry the shaft. The larger bearing is used at the drive gear end of the shaft to accommodate the thrust load (Fig. 5).

An oil seal is located in front of the smaller bearing and a spring-loaded face type water seal is used behind the impeller.

Current engines use a higher capacity water pump. Service procedures for current and former pumps are

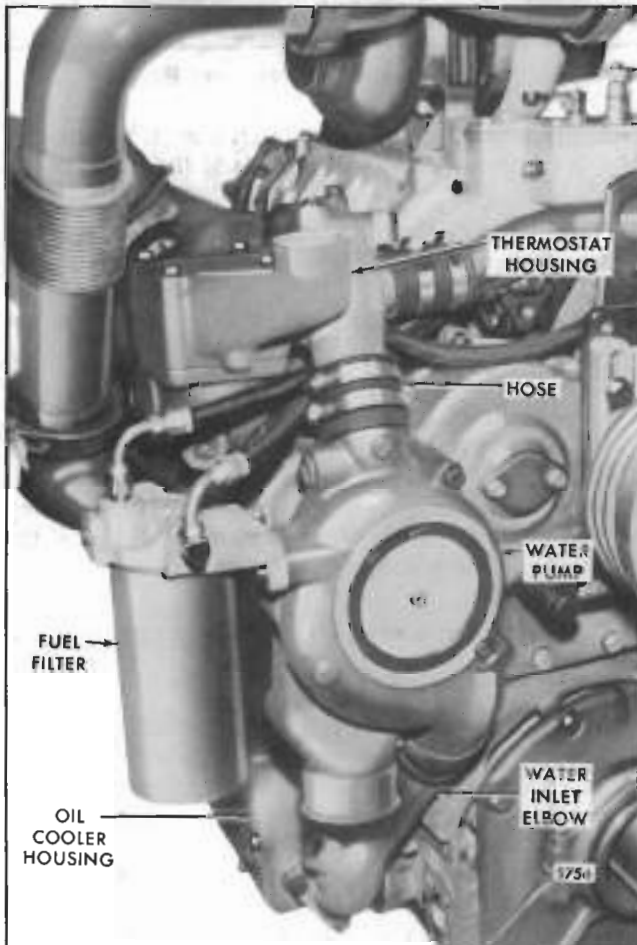


Fig. 1 - Water Pump Mounting

the same, except for removal and installation of the pump cover.

Lubrication

The pump ball bearings are lubricated with oil splashed by the camshaft gear and the water pump gear.

Replace Water Seal

The water seal can be replaced without removing the pump if the radiator, fan and fan shroud or heat exchanger have been removed.

1. Remove the pump cover and gasket (Fig. 5).

NOTE: Refer to *Remove and Install Pump Cover* under *High-Capacity Water Pump* for removal of cover on current pumps.

2. Remove the lock nut and washer and withdraw the impeller with puller J 24420.

NOTE: Use care to prevent damage to the ceramic impeller insert. Place the impeller on the bench with the insert up.

3. Use water pump seal remover set J 22150-01 to remove the seal with the pump on or off of the engine.

- a. Place the seal puller over the seal and into the two slots in the pump body casting.
- b. Remove the seal by turning the screw in a clockwise direction.

4. To reduce possible coolant leakage, apply a light coat of non-hardening sealant on the outside diameter of a new water seal. Then tap the seal into the seal cavity with a suitable sleeve which has an inside diameter large enough to fit around the seal and rest on the brass cartridge lip.

5. Inspect the ceramic impeller insert for cracks, scratches and bond to the impeller. If the insert is damaged, replace it as follows:

- a. Bake the insert and impeller assembly at 500 °F (260 °C) for one hour. The insert can be removed easily while the adhesive is hot. After removing the insert, clean the insert area on the impeller with sandpaper, wire brush or a buffing wheel to remove the old adhesive, oxide, scale, etc.

- b. Wet a clean cloth with a suitable solvent such as alcohol and thoroughly clean the impeller insert area and the grooved side of the new ceramic insert. Then wipe the parts clean with a dry cloth.
- c. Place the adhesive washer in the impeller bond area with the ceramic insert on top. The polished face of the ceramic insert should be visible to the assembler (Fig. 2).

Clamp the ceramic insert and impeller together with a 3/8" bolt and nut and two smooth .125" thick washers. Tighten the bolt to 10 lb-ft (14 Nm) torque.

NOTE: Do not mar the polished surface of the ceramic insert.

IMPORTANT: The face of the ceramic insert must be square with the axis of the tapered bore within .004". The pump shaft may be used as a mandrel for this inspection.

- d. Place the impeller assembly in a level position, with the ceramic insert up, in an oven preheated to 350 °F (177 °C) for one hour to cure the adhesive.
- e. Remove the impeller from the oven and, after it has cooled to room temperature, install it in the pump. Do not loosen or remove the clamping bolt and washers until the assembly cools.

6. Make sure the mating surfaces of the water seal and the ceramic insert (Fig. 5) are free of dirt, metal particles and oil film.

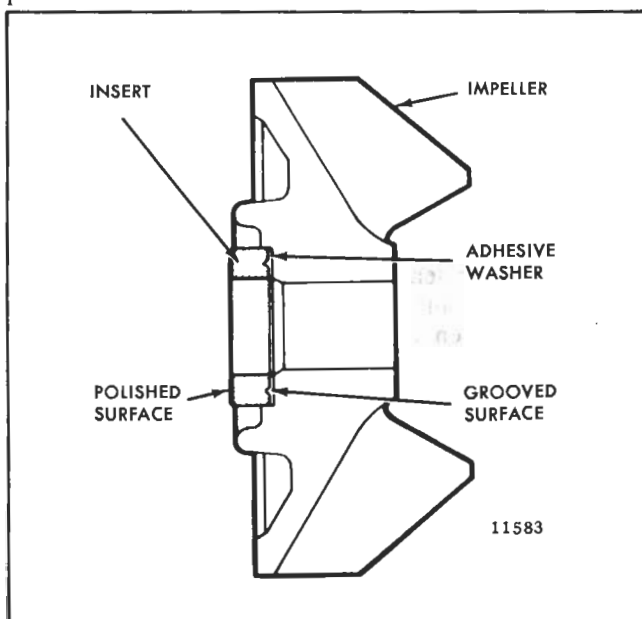


Fig. 2 - Impeller with Ceramic Insert

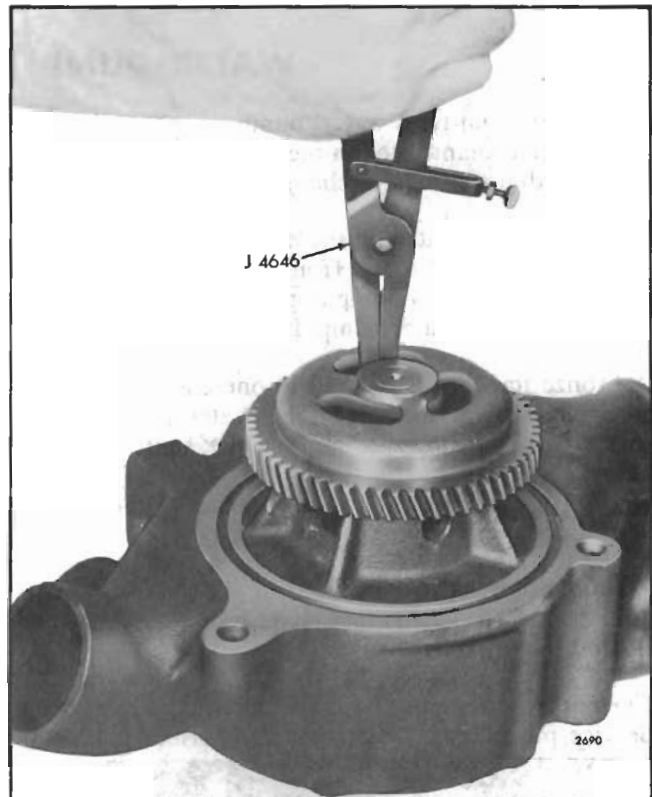


Fig. 3 - Removing Retaining Ring

7. Apply a small quantity of International Compound No. 2, or equivalent, to the threads of the pump shaft.
8. Place the impeller and washer on the shaft and start a new lock nut on the shaft. Hold the pump gear securely while drawing the impeller down on the tapered shaft with the lock nut. Tighten the nut to 45-50 lb-ft (61-68 Nm) torque.
9. Loosen the clamps and remove the hose from the water outlet opening of the pump.
10. Insert a feeler gage into the water outlet opening of the pump. The minimum clearance between the impeller and the pump body must be .015".
11. Use a new gasket and install the water pump cover. Tighten the bolts securely.

NOTE: The water pump cover on former pumps is secured by cadmium plated bolts with nylon inserts to prevent water leakage. Inspect them carefully to make sure the nylon inserts are in place and protrude sufficiently beyond the threads. Under no circumstances should a standard bolt be used. Refer to Remove and Install Pump Cover under High-Capacity Water Pump for installation of cover on current pumps.

12. Install and secure the hose on the water outlet opening with the clamps.

FORMER WATER PUMP

Remove Pump

1. Refer to Section 5 and drain the cooling system.
2. Remove the radiator, fan shroud and fan or heat exchanger, if necessary.
3. Loosen the hose clamps and remove the hoses from the pump body.
4. Remove the pump body-to-engine front cover mounting bolts and detach the pump. Use care to prevent damage to the gear teeth when disengaging the pump gear from the front camshaft gear (water pump drive gear).

Disassemble Pump

1. Turn the pump gear so the slot is over the ends of the bearing retaining ring, insert pliers J 4646 into the slot and, with the aid of a small screw driver, remove the ring from the groove (Fig. 3).

2. Remove the attaching bolts and remove the pump cover and gasket.

3. Hold the gear securely and remove the impeller lock nut and washer.

NOTE: While holding the gear, use care to prevent damage to the gear teeth.

4. Use puller J 24420 to remove the impeller.

5. Press the shaft, bearings and pump gear assembly out of the pump body.

6. Place the gear on the bed of an arbor press with the shaft extending downward, then place a short piece of .625" diameter bar stock between the shaft and the ram of the press and press the shaft out of the gear as shown in Fig. 4.

7. Support the shaft assembly on the inner race of the larger bearing with the threaded end down. Place flat stock between the ram of the press and the shaft and press the pump shaft out of the large bearing.

8. Invert the shaft, support it on the inner race of the small bearing and repeat the process described in Step 7.

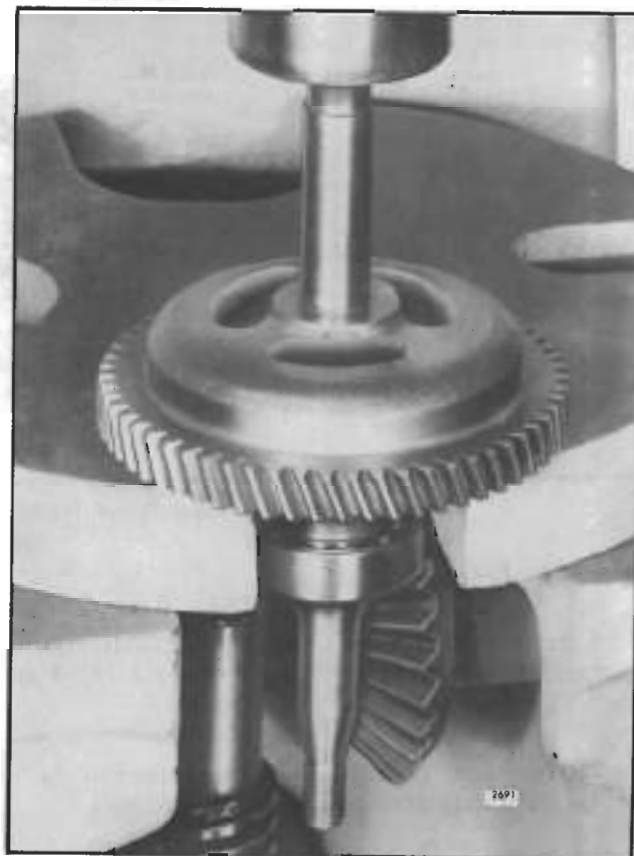


Fig. 4 - Pressing Shaft Out of Gear

9. If necessary, remove the water seal as described under *Replace Water Seal*.

10. Push the oil seal out of the pump body.

NOTE: New seals must be used as replacements each time the water and oil seals are removed.

Inspection

Wash all of the pump parts in clean fuel oil and dry them with compressed air. Inspect them for cracks, wear or damage. Replace damaged or worn parts.

Make sure the drilled "Y" passage in the pump body is clear of any obstruction.

Inspect the ceramic impeller insert for cracks, scratches and bond to the impeller. The insert may be replaced, if necessary, as noted under *Replace Water Seal*.

The bearings should be examined for corrosion, pitting, wear and freedom of movement. Apply engine oil to the bearings, hold the inner race and slowly revolve the outer race to check for roughness. Replace the bearings if necessary.

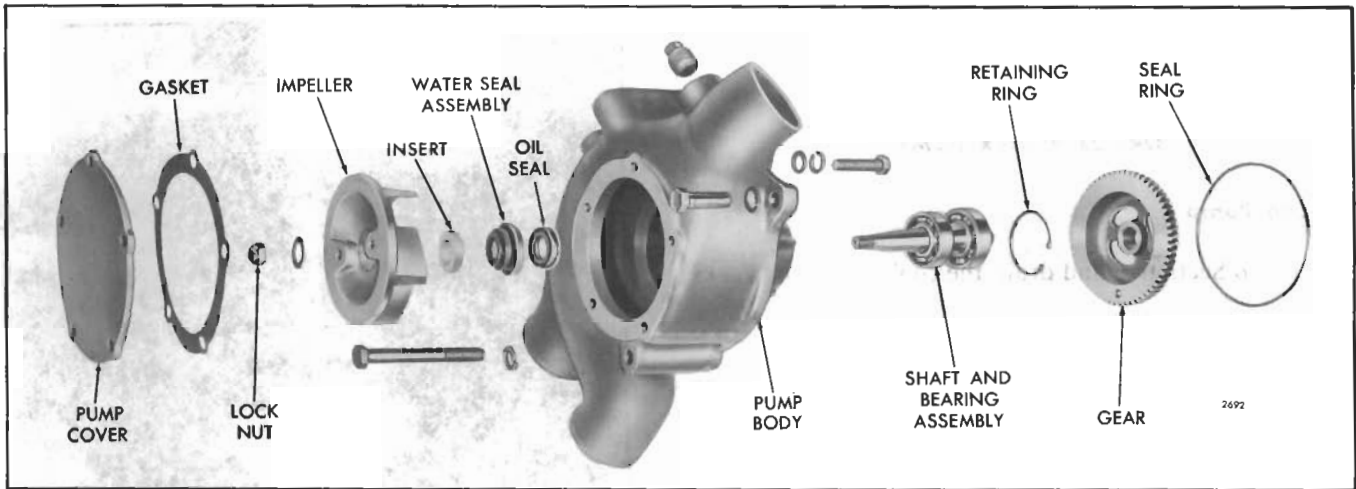


Fig. 5 - Former Water Pump Details and Relative Location of Parts

Assemble Pump

1. Lubricate the bearing bores and shaft bearing surfaces. Use bearing and gear installer J 25257 and install the bearings on the shaft (Fig. 6).

NOTE: Apply pressure to the inner races of the bearings only during assembly on the shaft.

2. Support the pump body on the bed of an arbor press with the cover side down. Then press the shaft and bearing assembly in place by applying pressure on the outer race of the large bearing.

3. Install the bearing retaining ring.

4. With gear installer J 25257 (Fig. 7) positioned on the impeller end of the shaft, place the gear between the shaft and the ram of the press. Press the gear on the shaft so it is flush with the end of the shaft.

IMPORTANT: Tool J 25257 will hold the shaft vertically to ensure the gear is pressed squarely on the shaft.

5. Apply a film of engine oil to the sealing lip of the oil seal and the lip contact surface of the shaft. Then insert the seal into the pump body. With a suitable sleeve, tap the seal into place.

NOTE: The oil seal must be flush with the water seal counterbore in the pump body.

6. Place the pump body on the bed of an arbor press. To prevent possible coolant leakage, apply a light coat

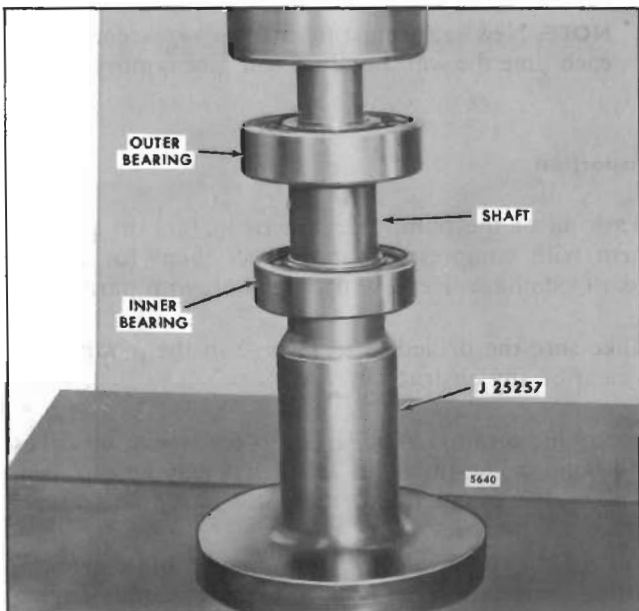


Fig. 6 - Pressing Bearing on Pump Shaft

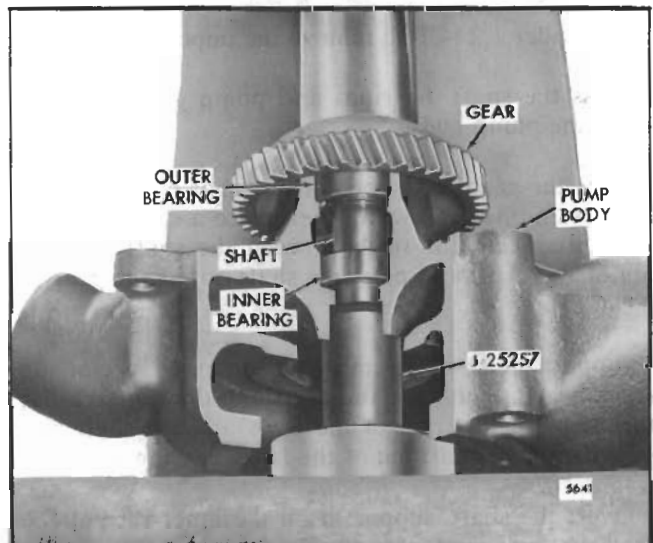


Fig. 7 - Pressing Gear on Pump Shaft

of non-hardening sealant on the outside diameter of a new water seal. Then insert the seal in the cavity in the pump body and, with a sleeve large enough to fit around the seal and resting on the brass cartridge lip, press the seal into place.

7. Make sure the mating surfaces of the water seal and the ceramic insert are free of dirt, metal particles and oil film.

8. Apply a small quantity of International Compound No. 2, or equivalent, to the threads of the pump shaft.

9. Place the impeller washer and new lock nut on the shaft. Hold the pump gear securely while drawing the impeller down on the tapered shaft with the lock nut. Tighten the nut to 45-50 lb-ft (61-68 Nm) torque.

NOTE: Do not damage the gear teeth while holding the gear.

10. Insert a feeler gage into the water outlet opening of the pump. The clearance between the impeller and the water pump body must be .015" minimum.

11. Install the hose on the water outlet opening and secure it with clamps.

Install Pump on Engine

1. Affix the seal ring to the pump body. Mount the pump on the engine so the pump gear meshes with the camshaft gear. Install and tighten the mounting bolts.

2. Check the gear lash by installing bolts, or equivalent, in the impeller puller holes. Measure the lash with an indicator at that point. The gear lash setting should be .002" to .012". A .0015" movement of the pump directly away from the camshaft will increase the lash .001". Likewise, moving the pump toward the camshaft .0015" will decrease the lash .001".

NOTE: When the specified gear lash cannot be obtained, loosen the pump attaching bolts and move the pump up as required to obtain the correct gear lash. Re-tighten the mounting bolts.

3. Use a new gasket and install the pump cover. Tighten the bolts securely.

NOTE: The pump cover is secured by cadmium plated bolts with nylon inserts to prevent water leakage. Inspect them carefully to make sure

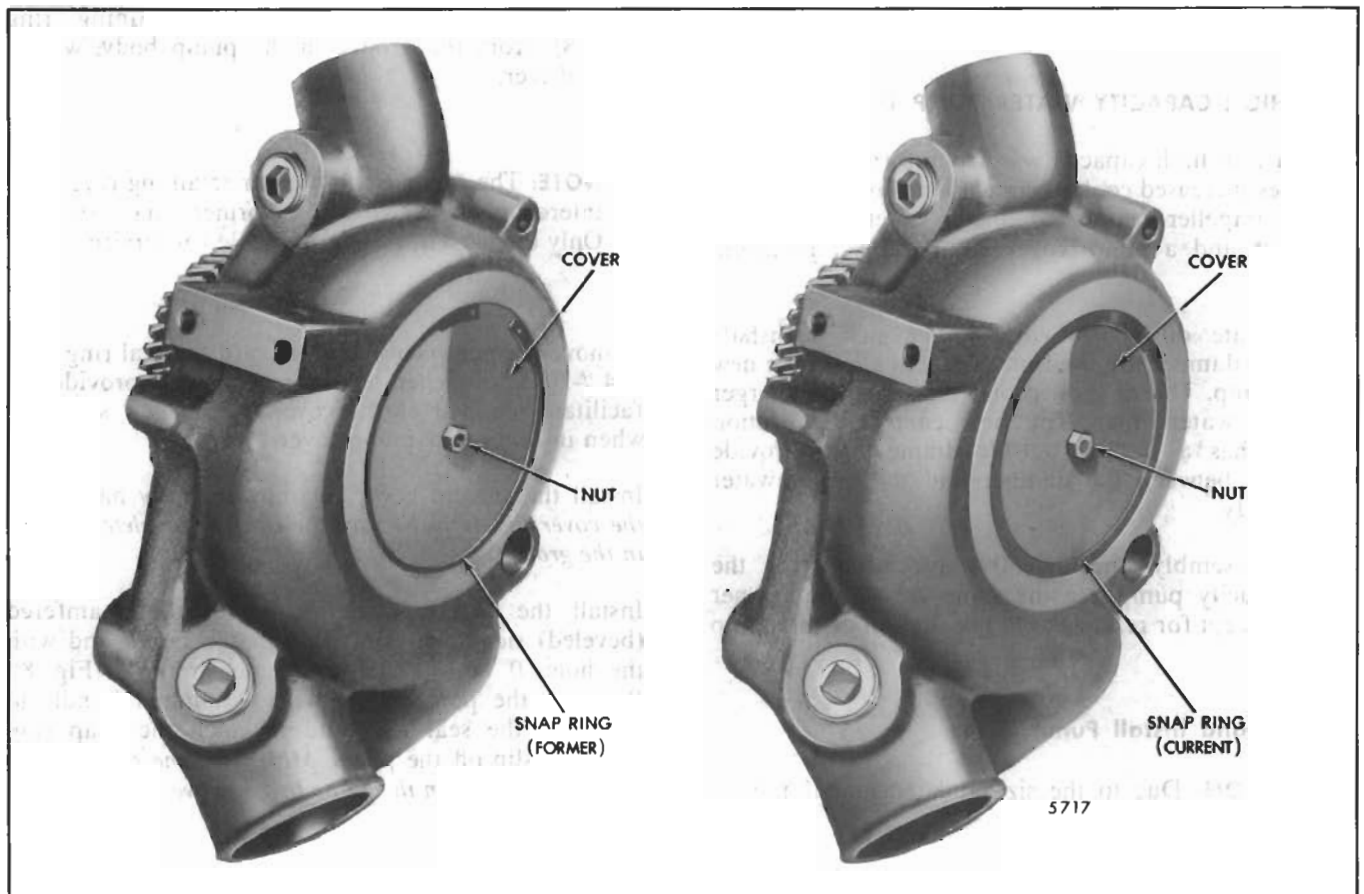


Fig. 8 - High-Capacity Water Pump (Current)

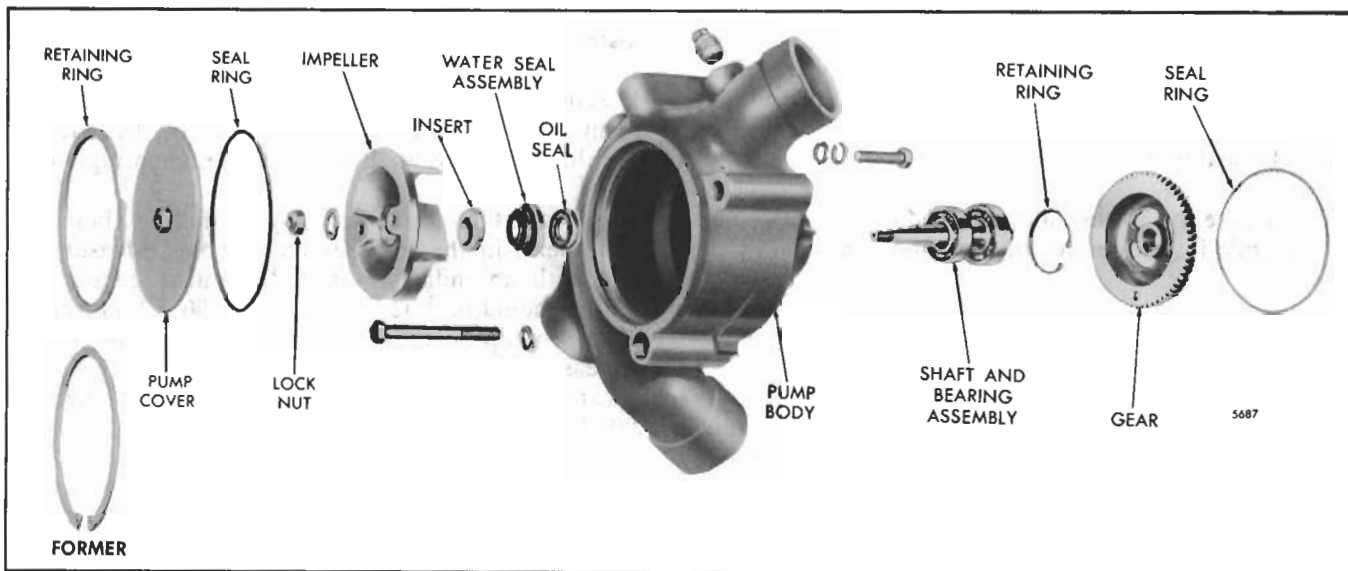


Fig. 9 - Current High-Capacity Water Pump Details and Relative Location of Parts

the nylon inserts are in place and protrude sufficiently beyond the threads. *Under no circumstances should a standard bolt be used.*

4. Slide the hoses into position and tighten the hose clamps.

5. Fill the cooling system as recommended in Sections 5 and 13.3.

HIGH-CAPACITY WATER PUMP (Current)

The current high-capacity water pump (Figs. 8 and 9) provides increased coolant circulation. The pump has a larger impeller, larger diameter inlet and outlet openings and a pump cover secured by a retaining ring.

A 32 plate oil cooler core and a new camshaft vibration damper are used in conjunction with the new water pump. The new oil cooler housing has a larger diameter water inlet. The new camshaft vibration damper has a smaller outside diameter to provide clearance between the damper and the larger water pump body.

The disassembly and assembly procedures for the high-capacity pump are the same as for the former pump, except for removal and installation of the pump cover.

Remove and Install Pump Cover

CAUTION: Due to the size and tension of the

former snap ring (Fig. 8), use extreme care when removing or installing it. Use snap ring pliers of a type to ensure maximum safety. In addition, press a hammer handle against the pump cover to prevent personal injury should the snap ring slip off the pliers.

Remove the current pump cover retaining ring (Fig. 8), from the groove in the pump body, with a screw driver.

NOTE: The current pump cover retaining ring is interchangeable with the former snap ring. Only the current ring is available for service.

Remove the pump cover and discard the seal ring. The 1/4"-20 nut attached to the front cover is provided to facilitate removal of the cover. Use a new seal ring when installing the pump cover.

Install the current cover retaining ring by hand. Tap the cover lightly to be sure the ring is completely seated in the groove.

Install the former snap ring with the chamfered (beveled) side facing away from the pump and with the holes 0° to 30° off top center (refer to Fig. 8). Press on the pump cover with a hammer handle to compress the seal ring and to catch the snap ring should it slip off the pliers. Make sure the snap ring is completely seated in the pump body groove.

WATER PUMP (16V Engines)

The centrifugal-type water pump (Fig. 10) is mounted on the front engine cover and is driven by the right front camshaft gear (water pump drive). The pump circulates engine coolant through the cylinder block, cylinder heads, radiator or heat exchanger and the oil cooler.

The pump consists of a bronze impeller secured to a stainless steel shaft with a lock nut. A gear is pressed on the opposite end of the shaft and the shaft turns on two ball bearings which are supported in a bearing and water and oil seal container. The container is secured to the pump housing with nuts and washers on studs installed in the pump body. An oil seal is used ahead of the front bearing and a spring-loaded face type water seal is used in back of the impeller.

Lubrication

The pump ball bearings are lubricated with oil splashed by the front gear train.

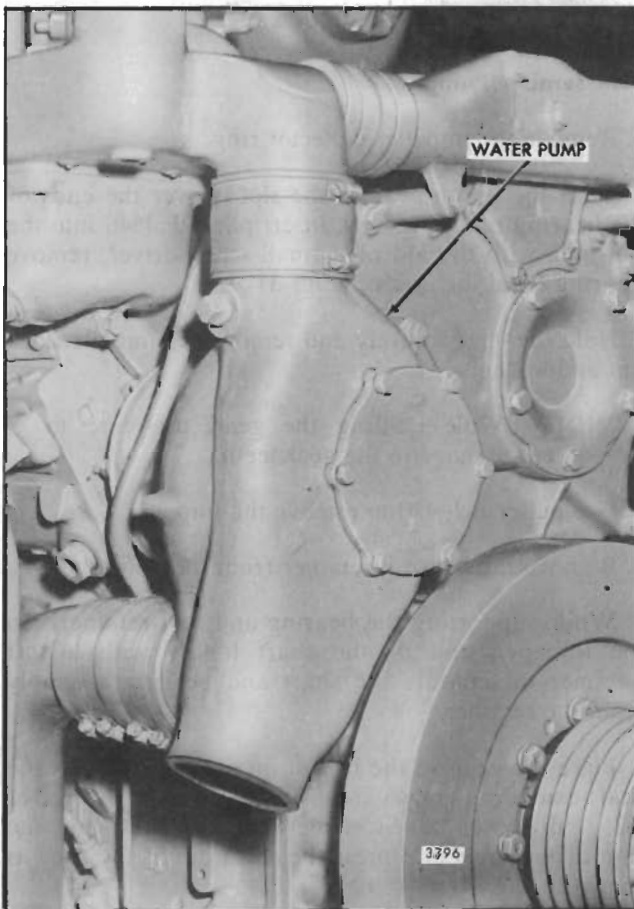


Fig. 10 - Water Pump Mounting (16V Engine)

Replace Water Seal Assembly

The water seal assembly may be replaced without removing the pump if the fan, fan shroud and radiator or heat exchanger have been removed.

1. Remove the pump cover, gasket and deflector ring (Fig. 11).

2. Loosen and remove the impeller lock nut and washer. Use puller J 24420 to withdraw the impeller. Use care to prevent damage to the ceramic impeller insert. Do not place the impeller on any surface with the insert down.

3. Grasp the water seal assembly with suitable pliers and pull the seal out of the retainer.

4. To reduce possible coolant leakage, apply a light coat of non-hardening sealant on the outside diameter of a new water seal. Then tap the seal in the seal cavity with a suitable sleeve, with an inside diameter large enough to fit around the seal and rest on the brass cartridge lip.

5. Inspect the ceramic insert on the impeller for cracks, scratches and bond to the impeller. If the insert is damaged, replace it as follows:

- a. Bake the insert and impeller assembly at 500 °F (260 °C) for one hour. The insert can be removed easily while the adhesive is hot. After removing the insert, clean the insert area on the impeller with sandpaper, wire brush or a buffing wheel to remove the old adhesive, oxide, scale, etc.
- b. Wet a clean cloth with a suitable solvent such as alcohol and thoroughly clean the impeller insert area and the grooved side of a new ceramic insert. Then wipe the parts with a clean dry cloth.
- c. Place the adhesive washer in the impeller bond area with the ceramic insert on top. The polished face of the ceramic insert should be visible to the assembler (Fig. 2).

Clamp the ceramic insert and impeller together with a 3/8" bolt and nut and two smooth .125" thick washers. Tighten the bolt to 10 lb-ft (14 Nm) torque.

NOTE: Do not mar the polished surface of the ceramic insert.

- d. Place the impeller assembly in a level position, with the ceramic insert up, in an oven preheated to 350 °F (177 °C) for one hour.

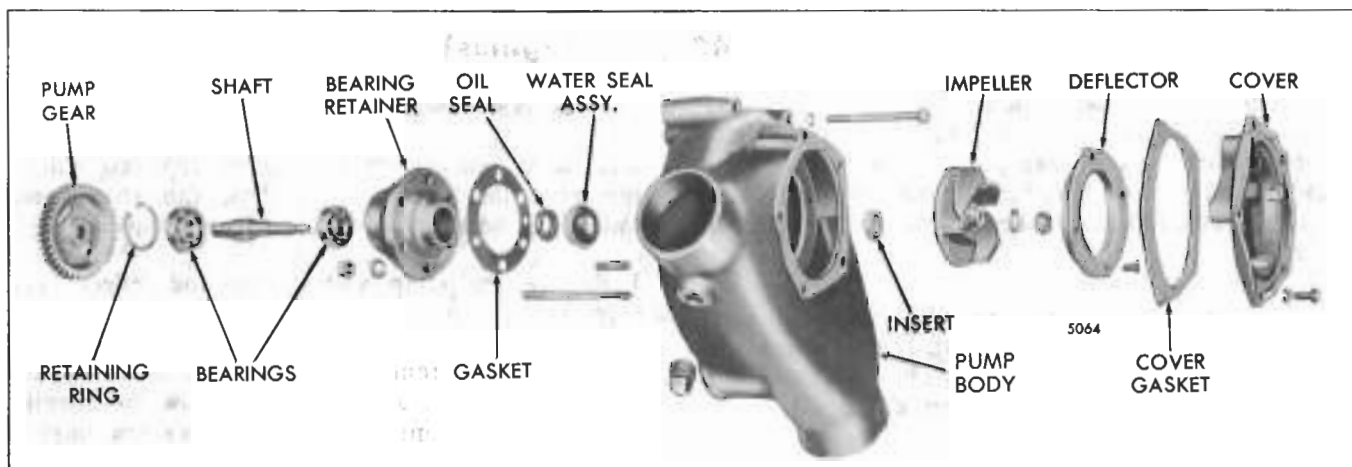


Fig. 11 - Water Pump Details and Relative Location of Parts

NOTE: The face of the ceramic insert must be square with the axis of the tapered bore within .004". The pump shaft may be used as a mandrel for this inspection.

- e. Remove the impeller from the oven and allow it to cool to room temperature. Do not loosen and remove the clamping bolt and washers until the assembly cools.
6. Make sure the mating surfaces of the water seal assembly and the ceramic insert (Fig. 13) are free of dirt, metal particles and oil film.
7. Apply a small quantity of International Compound No. 2, or equivalent, to the threads of the pump shaft.
8. Place the impeller and washer on the shaft and start a new lock nut on the shaft. Hold the pump gear securely while drawing the impeller down on the tapered shaft with the lock nut. Tighten the nut to 45-50 lb-ft (61-68 Nm) torque.
9. Secure the impeller deflector ring to the pump body. Be sure the four 1/4"-20 x 5/8" screws are staked securely at three places.
10. Affix a new gasket and install the pump cover. Tighten the nuts securely.

Remove Pump

1. Drain the engine cooling system (Section 5).
2. If necessary, remove the radiator, fan shroud and fan or heat exchanger.
3. Remove the pump cover.
4. Loosen the hose clamps and remove the hoses.

5. Remove the nuts and lock washers from the rear bearing support cover-to-end plate studs, then remove the bolts and copper washers.

6. Grasp the pump firmly and remove the two pump body to engine front cover bolts and lock washers. Use caution to prevent damage to the gear teeth and detach the water pump.

Disassemble Pump

1. Remove the impeller deflector ring.
2. Turn the pump gear so the slot is over the ends of the bearing retaining ring, insert pliers J 4646 into the slot and, with the aid of a small screw driver, remove the ring from the groove (Fig. 3)
3. Hold the gear securely and remove the impeller lock nut and washer.

NOTE: While holding the gear, use care to prevent damage to the gear teeth.

4. Use puller J 24420 to remove the impeller.
5. Remove the bearing retainer from the pump body.
6. While supporting the bearing and seal retainer, tap the threaded end of the shaft lightly with a soft hammer to separate the shaft and bearing assembly from the retainer.
7. Place the gear on the bed of an arbor press with the shaft extending downward. Then place a short piece of .625" diameter bar stock between the shaft and the ram of the press and press the shaft out of the gear as shown in Fig. 4.
8. Support the shaft assembly on the inner race of the large bearing with the threaded end down. Place a flat

plate between the ram of the press and the shaft and press the pump shaft out of the large bearing.

9. Invert the shaft, support it on the inner race of the small bearing and repeat the process described in Step 7.

10. The water seal may be pryed out of the bearing retainer with a screw driver, if necessary.

11. Push the oil seal out of the retainer.

NOTE: The water and oil seals must not be re-used if they are removed.

Inspection

Wash all of the pump parts in clean fuel oil and dry them with compressed air. Inspect them for cracks, damage or wear. Replace damaged or worn parts. If the ceramic insert is damaged, it may be replaced as noted under *Replace Water Seal Assembly*.

The bearings should be examined for corrosion, pitting, wear and freedom of movement. Apply engine oil to the bearings, hold the inner race and slowly revolve the outer race to check for roughness. Replace the bearings, if necessary.

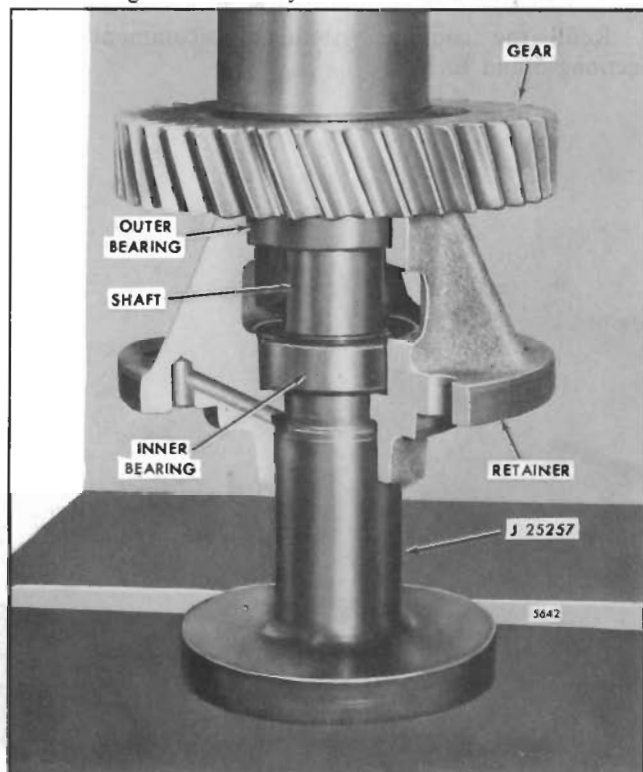


Fig. 12 - Pressing Gear on 16V Water Pump Shaft

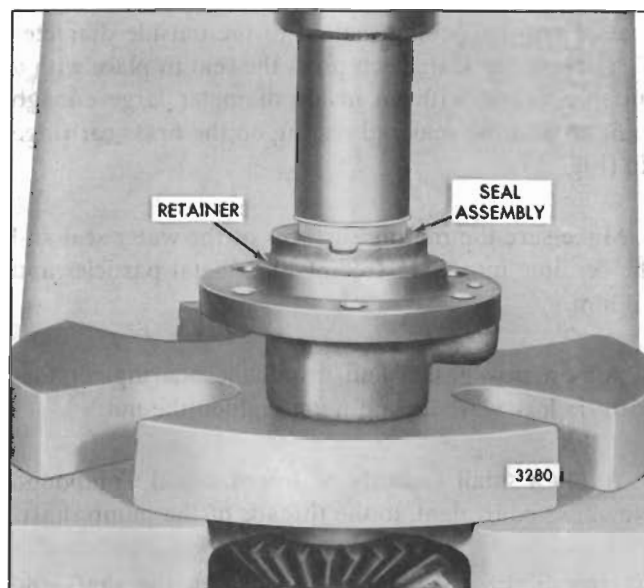


Fig. 13 - Installing Water Seal Assembly

Assemble Water Pump

1. Lubricate the bearing bores and shaft bearing surfaces. Use bearing and gear installer J 25257 and press the bearings against the shoulders on the shaft (Fig. 6).

NOTE: Apply pressure to the inner races of the bearing only during assembly on the shaft.

2. Support the bearing retainer on the bed of an arbor press, water seal end down. Then press the shaft and bearing assembly into the retainer.

NOTE: Apply pressure to the outer race of the large bearing when installing the shaft and bearing assembly in the retainer.

3. Install the bearing retaining ring.

4. With gear installer J 25257 (Fig. 12) positioned on the threaded end of the shaft, place the bearing retainer assembly on the bed of an arbor press. Press the gear on the shaft so that it is flush with the end of the shaft.

IMPORTANT: Tool J 25257 will hold the shaft vertically to ensure the gear is pressed squarely on the shaft.

5. Apply a film of engine oil to the sealing lip of the oil seal and the lip contact surface of the shaft. Insert the oil seal into the water seal end of the bearing retainer. Tap the seal into place with a suitable sleeve until the edge of the seal is flush with the edge of the seal cavity on the bearing side.

6. To reduce possible coolant leakage, apply a light

coat of non-hardening sealant to the outside diameter of a new water seal. Then press the seal in place with a suitable sleeve, with an inside diameter large enough to fit around the seal and resting on the brass cartridge lip (Fig. 13).

7. Make sure the mating surfaces of the water seal and the ceramic insert are free of dirt, metal particles and oil film.

8. Affix a new gasket and install the bearing retainer with six lock washers and nuts. Tighten the nut.

9. Apply a small quantity of International Compound No. 2, or equivalent, to the threads of the pump shaft.

10. Install the impeller and washer on the shaft and start a new lock nut on the shaft. Hold the gear securely while drawing the impeller down on the tapered shaft with the lock nut. Tighten the nut to 45-50 lb-ft (61-68 Nm) torque.

NOTE: Do not damage the gear teeth while holding the gear.

11. Secure the impeller deflector ring to the pump body. Be sure the four 1/4"-20 x 5/8" screws are staked securely at three places.

Install Water Pump on Engine

1. Place a new gasket on the pump body.
2. Position the pump and slide the long studs into the holes in the front cover. Make sure the pump gear and camshaft gear teeth are engaged correctly.
3. Install the pump body-to-engine front cover bolts and lock washers.
4. Secure the nuts and lock washers on the water pump body studs that extend through the front cover. Then install the two bolts and lock washers from the back side of the end plate.
5. Replace the hoses and secure them with clamps.
6. Check the gear backlash (clearance) between the water pump gear and the camshaft gear by installing bolts, or equivalent, in the impeller puller holes and measuring the lash with an indicator at that point. The gear lash setting should be .002" to .012".
7. Install the water pump cover and a new gasket on the water pump. Position the cover as indicated by the word "TOP" which is cast on the cover.
8. Replace all of the engine parts which were removed to facilitate pump removal.
9. Refill the cooling system as recommended in Sections 5 and 13.3.

WATER MANIFOLD

The 6 and 8V engines do not require external water manifolds. All 16V engines are equipped with external water manifolds (one per cylinder head).

Coolant, leaving the cylinder head through an opening directly over each exhaust port, enters the water manifold which is attached to the cylinder head with two studs, lock washers and nuts at each of the water openings. A separate gasket is used at each attaching flange between the manifold and cylinder head.

A four-leg manifold has replaced the former six-leg manifold. Only the new manifold will be serviced. The reduction of two legs has no detrimental effect upon engine cooling. However, when replacing the old manifold by the new, two plates, gaskets and four 3/8"-16 x 1" bolts to seal the unused openings in the cylinder head must be added.

Remove Water Manifold

1. Drain the cooling system, to the level necessary, by opening the cylinder block drain cocks.

2. Loosen the seal clamp at the front end of the water manifold. Then slide the seal over the neck of the thermostat housing or the water manifold.

3. Remove the water manifold attaching nuts and lock washers and lift the manifold off of the cylinder head.

4. Remove the water manifold gaskets.

Install Water Manifold

1. Install new water manifold gaskets.

2. Attach the water manifold to the cylinder head with the lock washers and nuts. Tighten the nuts to 20-25 lb-ft (27-34 Nm) torque.

3. Slide the seal onto the outlet end of the water manifold and secure the seal with the clamp.

4. Fill the cooling system to the proper level.

6

1892
1893
1894

THERMOSTAT

The temperature of the engine coolant is automatically controlled by a thermostat located in a housing attached to the water outlet end of each cylinder head. Blocking type thermostats (Fig. 1) are used when a standard cooling system is employed; semi-blocking type thermostats (Fig. 2) are used with the rapid warm-up cooling system. Two thermostats are employed in 6 and 8V engines; four thermostats are used in the 16V engines.

At coolant temperatures below approximately 170°F., the thermostat valves remain closed and block the flow of coolant to the radiator. During this period, all of the coolant in the standard system is circulated through the engine and is directed back to the suction side of the water pump via the by-pass tube. In the rapid warm-up system enough coolant to vent the system is by-passed to the radiator top tank by means of a separate external de-aeration line and then back to the water pump without going through the radiator cores. As the coolant temperature rises above 170°F., the thermostat valves start to open, restricting the by-pass system, and permit a portion of the coolant to circulate through the radiator. When the coolant temperature reaches approximately 185°F., the thermostat valves are fully open, the by-pass system is completely blocked off, and all of the coolant is directed through the radiator.

A defective thermostat which remains closed, or only partially open, will restrict the flow of coolant and cause the engine to overheat. A thermostat which is stuck in a full open position may not permit the engine to reach its normal operating temperature. The incomplete combustion of fuel due to cold engine operation will result in excessive carbon deposits on the pistons, rings and valves.

Properly operating thermostats are essential for efficient operation of the engine. If the engine operating temperature deviates from the normal range of 160°F. to 185°F., the thermostats should be removed and checked.

Remove Thermostat

Refer to Fig. 1 and remove the thermostats as follows:

1. Drain the cooling system to the necessary level by opening the drain cocks, or removing the drain plugs on the cylinder block.

2. Loosen the hose connections and remove the by-pass (cross-over) tube. Then loosen the hose connections between the water pump and the right bank thermostat housing cover.

3. Remove the bolts and lock washers securing the

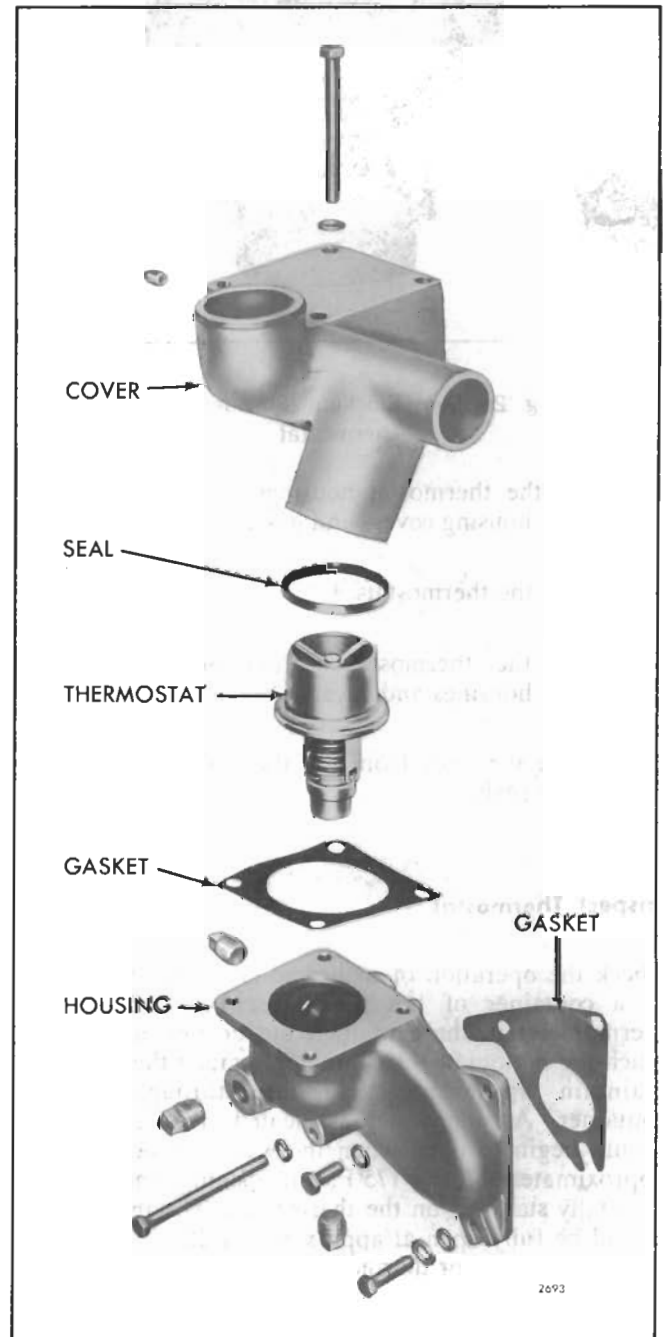


Fig. 1 - Typical Thermostat Housing and Relative Location of Parts

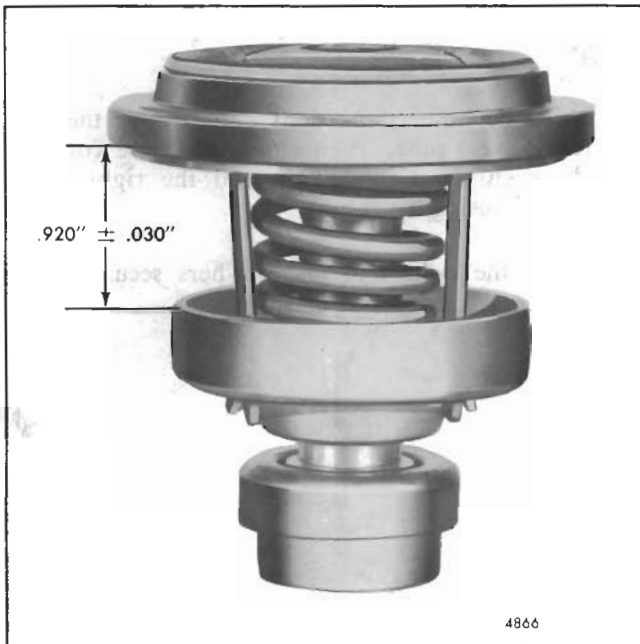


Fig. 2 - Semi-Blocking (Shielded) Type
Thermostat

covers to the thermostat housings. Then remove the thermostat housing covers and gaskets.

4. Remove the thermostats.
5. Clean the thermostat seating surfaces in the thermostat housings and covers.
6. Remove the seals from the thermostat covers and discard the seals.

Inspect Thermostat

Check the operation of a thermostat by immersing it in a container of hot water (see Fig. 3). Place a thermometer in the container, but do not allow it to touch the bottom of the container. Agitate the water to maintain an even temperature throughout the container. As the water is heated, the thermostat should begin to open when the water temperature is approximately 170° or 175°F. (the opening temperature is usually stamped on the thermostat). The thermostat should be fully open at approximately 185°F. Allow at least 10 minutes for thermostat to react.

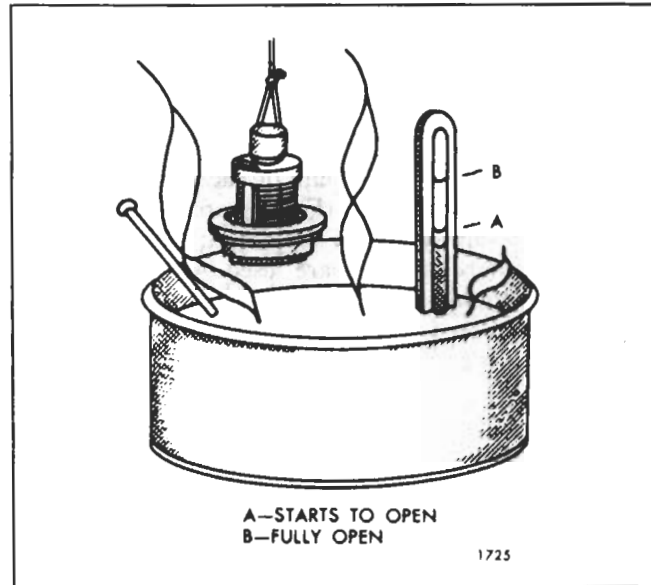


Fig. 3 - Method of Checking Thermostat
Operation

Install Thermostat

1. Install a new seal(s) in the thermostat housing cover with installer J 8550 and driver handle J 7079-2. Position the seal so that the lip of the seal faces up (away from the thermostat) when the cover is installed on the thermostat housing. The seal installing tool assures that the seal is positioned the correct distance from the bottom face of the cover and parallel with the cover face.
2. Place a new gasket on the thermostat housing.
3. Set the thermostat(s) in the thermostat housing.
4. Attach the covers to the thermostat housings with bolts and lock washers. Tighten the 3/8"-16 bolts to 30-35 lb-ft torque.
5. Slide the hose in place between the water pump and the right bank thermostat housing cover. Tighten the clamps.
6. Install the by-pass (cross-over) tube and tighten the hose clamps.
7. Close the drain cocks in the cylinder block. Then fill the cooling system.
8. Start the engine and check for leaks.

RADIATOR

On some engines the temperature of the coolant circulating through the engine is lowered by the action of the radiator and the fan. The radiator is mounted in front of the engine so that the fan will draw air through it, thereby lowering and maintaining the coolant temperature to the degree necessary for efficient engine operation.

The life of the radiator will be considerably prolonged if the coolant used is limited to either clean, soft water and a rust inhibitor or a mixture of water and a high boiling point type antifreeze. The use of any other type antifreeze is not recommended.

To increase the cooling efficiency of the radiator, a metal shroud is placed around the fan. The fan shroud must be fitted airtight against the radiator to prevent re-circulation of the hot air drawn through the radiator. Hot air which is permitted to pass around the sides or bottom of the radiator and is again drawn through the radiator will cause overheating of the engine.

Another cause of overheating is slippage of the fan drive belts which is caused by incorrect belt tension, worn belts or worn fan belt pulley grooves, or the use of fan belts of unequal length when two or more belts are used. The belt tension and condition of the belts should be checked periodically as outlined in Section 15.1.

A radiator that has a dirty, obstructed core or is leaking, a leak in the cooling system, or an inoperative thermostat will also cause the engine to overheat. The radiator must be cleaned, the leaks eliminated, and defective thermostats replaced immediately to prevent serious damage from overheating.

The external cleanliness of the radiator should be checked if the engine overheats and no other causes are apparent.

Cleaning Radiator

The radiator should be cleaned whenever the foreign deposits are sufficient to hinder the flow of air or the transfer of heat to the air. In a hot, dusty area, periodic cleaning of the radiator will prevent a decrease in efficiency and add life to the engine.

The fan shroud and grille should be removed, if possible, to facilitate cleaning of the radiator core.

An air hose with a suitable nozzle is often sufficient to

remove loose dust from the radiator core. Occasionally, however, oil may be present requiring the use of a solvent, such as oleum, to loosen the dirt. The use of gasoline, kerosene, or fuel oil is NOT recommended as a solvent. A spray gun is an effective means of applying the solvent to the radiator core. Use air to remove the remaining dirt. Repeat this process as many times as necessary, then rinse the radiator with clean water and dry it with air.

NOTE: Provide adequate ventilation of the working area to avoid possible toxic effects of the cleaning spray.

Another method of cleaning the radiator is the use of steam or a steam cleaning device, if available. If the foreign deposits are hardened, it may be necessary to apply solvents.

The scale deposit inside the radiator is a result of using hard, high mineral content water in the cooling system. The effect of heat on the minerals in the water causes the formation of scale, or hard coating, on metal surfaces within the radiator, thereby reducing the transfer of heat. Some hard water, instead of forming scale, will produce a silt-like deposit which restricts the flow of water. This must be flushed out at least twice a year -- more often if necessary.

To remove the hardened scale, a direct chemical action is necessary. A flushing compound such as sal-ammoniac, at the specified rate of 1/4 pound per each gallon of radiator capacity, should be added to the coolant water in the form of a dissolved solution while the engine is running. Operate the engine for at least 15 minutes, then drain and flush the system with clean water.

Other flushing compounds are commercially available and should be procured from a reliable source. Most compounds attack metals and should not remain in the engine for more than a few minutes. A neutralizer should be used in the cooling system immediately after a de-scaling solvent is used.

For extremely hard, stubborn coatings, such as lime scale, it may be necessary to use a stronger solution. The corrosive action of a stronger solution will affect the thin metals of the radiator, thereby reducing its operating life. A complete flushing and rinsing is mandatory and must be accomplished skillfully.

After the solvent and neutralizer have been used and the cooling system is flushed, completely drain the entire system again and fill it with clean, soft water plus a rust inhibitor or high boiling point type

antifreeze. After filling the cooling system, inspect the radiator and engine for water leaks.

NOTE: When draining or filling, the cooling system must be vented.

After the radiator core has been thoroughly cleaned and dried, reinstall the fan shroud and grille, if removed.

Remove Radiator

1. Remove the radiator filler cap and open the drain cock to drain the cooling system. Also open the drain cock on the oil cooler and the engine block.
2. Remove the bolts, lock washers and nuts which attach the fan guards to the fan shroud.
3. Loosen the hose clamps at the radiator inlet hose and remove the hose.
4. Loosen the hose clamps at the radiator outlet hose and remove the hose.
5. Use a chain hoist and a suitable lifting device (through the filler neck or otherwise) and draw the hoisting chain taut to steady the radiator.
6. Remove the bolts, lock washers, plain washers, nuts and bevel washers (if used) which attach the radiator shell to the engine base.

CAUTION: Since the shroud is very close to the tips of the fan blades, to prevent damage to these parts great care must be exercised whenever the radiator is removed.

7. Lift the radiator enough to clear the engine base and move it directly away from the engine.

8. Remove the fan shroud and the radiator core by removing the bolts securing them in place.

Inspection

Clean all radiator parts thoroughly, removing dirt, scale and other deposits.

Examine the radiator for cracks or other damage. The core fins should be straight and evenly spaced to permit a full flow of cooling air. The core tubes should be clean inside and outside and have no leaks.

If repainting the radiator core becomes necessary, it is recommended that a thin coat of dull black radiator paint or another high quality flat black paint be used. Ordinary oil paints have an undesirable glossy finish and do not transmit heat as well.

Check all radiator hoses and clamps. Replace cracked and deteriorated hoses and damaged clamps.

Install Radiator

Assemble the radiator, grill and shroud. Then mount the assembly on the engine base by reversing the procedure given for removal.

Check for clearance between the tips of the fan blades and radiator shroud after the radiator is in place. There must be sufficient clearance or damage to the fan and shroud will result when the engine is started. Use shims between the radiator and base, if necessary, to obtain the proper clearance.

COOLANT PRESSURE CONTROL CAP

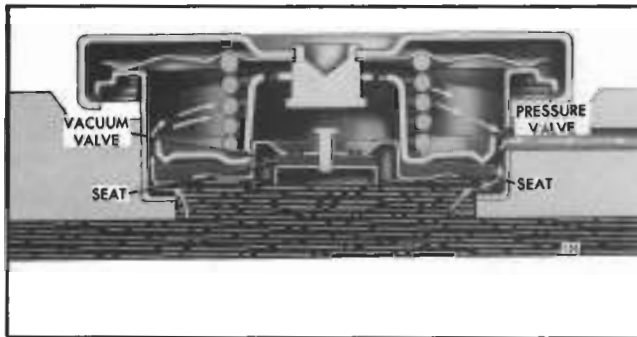


Fig. 1 - Pressure Control Cap (Pressure Valve Open)

The radiator (or expansion tank) has a pressure control cap with a normally closed valve. The cap, with a number 7 stamped on its top, is designed to permit a pressure of approximately seven pounds in the system before the valve opens. This pressure raises the boiling point of the cooling liquid and permits somewhat higher engine operating temperatures without loss of any coolant from boiling. To prevent the collapse of hoses and other parts which are not internally supported, a second valve in the cap opens under vacuum when the system cools.

CAUTION: Use extreme care when removing

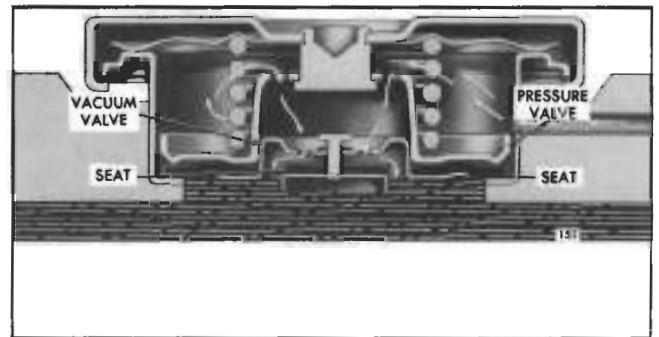


Fig. 2 - Pressure Control Cap (Vacuum Valve Open)

the coolant pressure control cap. Remove the cap *slowly* after the engine has cooled. The sudden release of pressure from a heated cooling system can result in loss of coolant and possible personal injury (scalding) from the hot liquid.

To ensure against possible damage to the cooling system from either excessive pressure or vacuum, check both valves periodically for proper opening and closing pressures. If the pressure valve does not open between 6.25 psi (43.1 kPa) and 7.5 psi (51.7 kPa) or the vacuum valve does not open at .625 psi (4.3 kPa) (maximum), replace the pressure control cap.



ENGINE COOLING FAN

The engine cooling fan (Fig. 1) is belt driven from the crankshaft pulley.

The three groove pulley hub (Fig. 2), used on 6V, 8V and certain 16V engines, turns on a double-row ball bearing at the front and a single-row (shielded) ball bearing at the rear of the hub. On 6V and 8V compact front end engines, the pulley hub turns on tapered roller bearings (Fig. 3). The Poly-V groove pulley hub used on some 16V engines turns on two single-row tapered roller bearings (Fig. 4).

Spacers provide a means for setting the proper clearance between the fan blades and the front groove of the crankshaft pulley.

Lubrication

The bearings and the cavity between the bearings are packed with grease at the time the fan hub is assembled. Refer to Section 15.1 for the maintenance schedule.

Fan Belt Adjustment

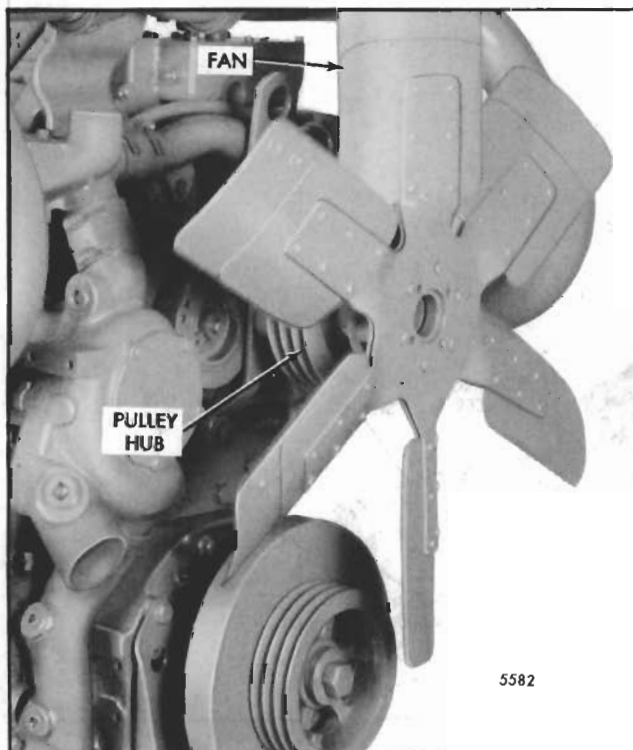


Fig. 1 - Typical Fan Mounting

Adjust the fan belts periodically as outlined in Section 15.1.

Remove Fan, Hub and Adjusting Bracket

The fan blades must rotate in a vertical plane parallel with and a sufficient distance from the radiator core. Bent fan blades reduce the efficiency of the cooling system, may throw the fan out of balance, and are apt to damage the radiator core. Before removing the fan, check the blades for alignment. Do not rotate the fan by pulling on the fan blades.

1. Remove the attaching bolts, lock washers and nuts, then remove the fan and spacer (if used).

NOTE: If insufficient clearance exists between the fan and the radiator, remove the fan, hub and adjusting bracket as an assembly.

2. Loosen the fan hub adjusting bracket bolts and remove the drive belts. Then withdraw the bolts and washers and remove the hub and bracket assembly from the engine.

Disassemble Fan, Three Groove Pulley Hub and Bracket (Fig. 2)

1. Remove the fan to hub mounting bolts, nuts and lock washers and detach the fan and spacer.

2. Remove and discard the hub cap. Then take out the cotter pin and remove the nut. If the bearings are to be removed, take out the retaining ring.

3. Support the hub, front face up, on wood blocks high enough to allow the bracket to be removed. Tap the fan shaft with a plastic hammer to free the fan shaft and bracket assembly from the bearings in the hub.

4. Remove the ball bearings from the pulley hub as follows:

a. Support the pulley hub, rear face up, on two wood blocks spaced far enough apart to permit removal of the bearing from the hub.

b. Tap the front bearing out of the hub by tapping alternately around the rear face of the bearing outer race with a small brass rod and hammer.

c. Reverse the pulley hub on the wood blocks and remove the rear bearing from the hub in the same manner.

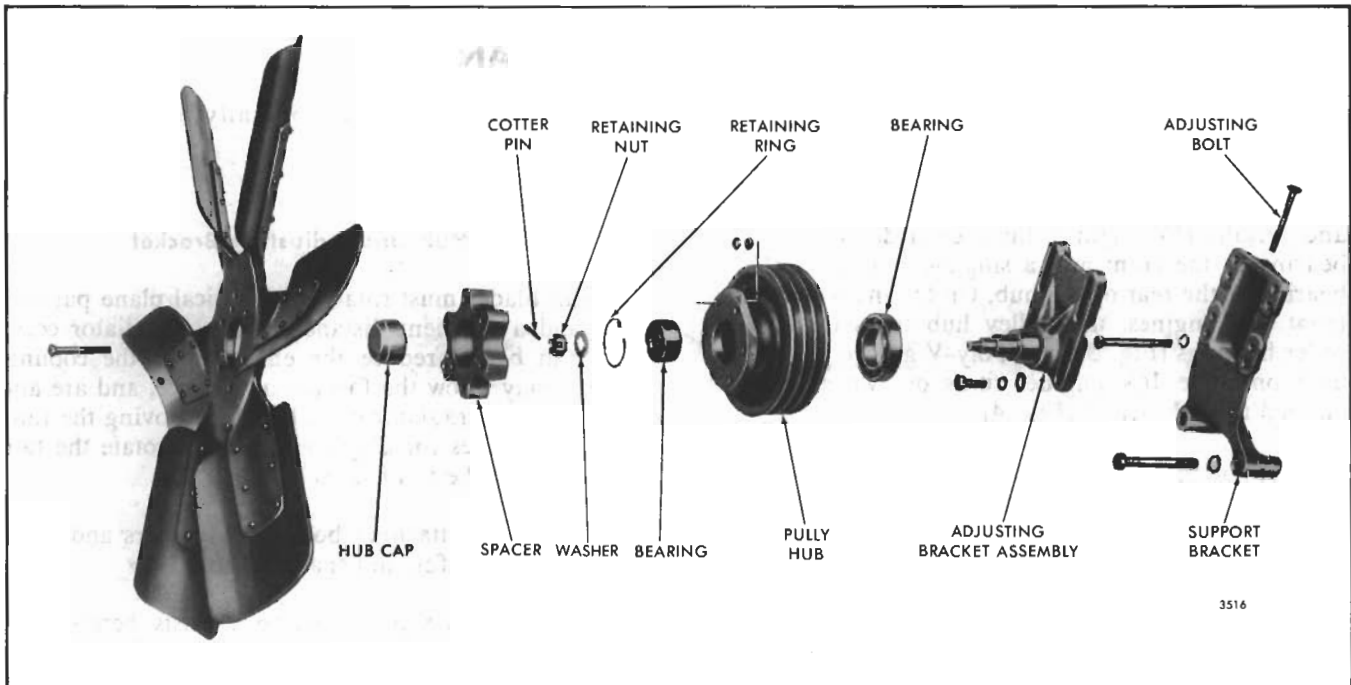


Fig. 2 - Typical Fan, Three Groove Pulley Hub and Adjusting Bracket Details and Relative Location of Parts

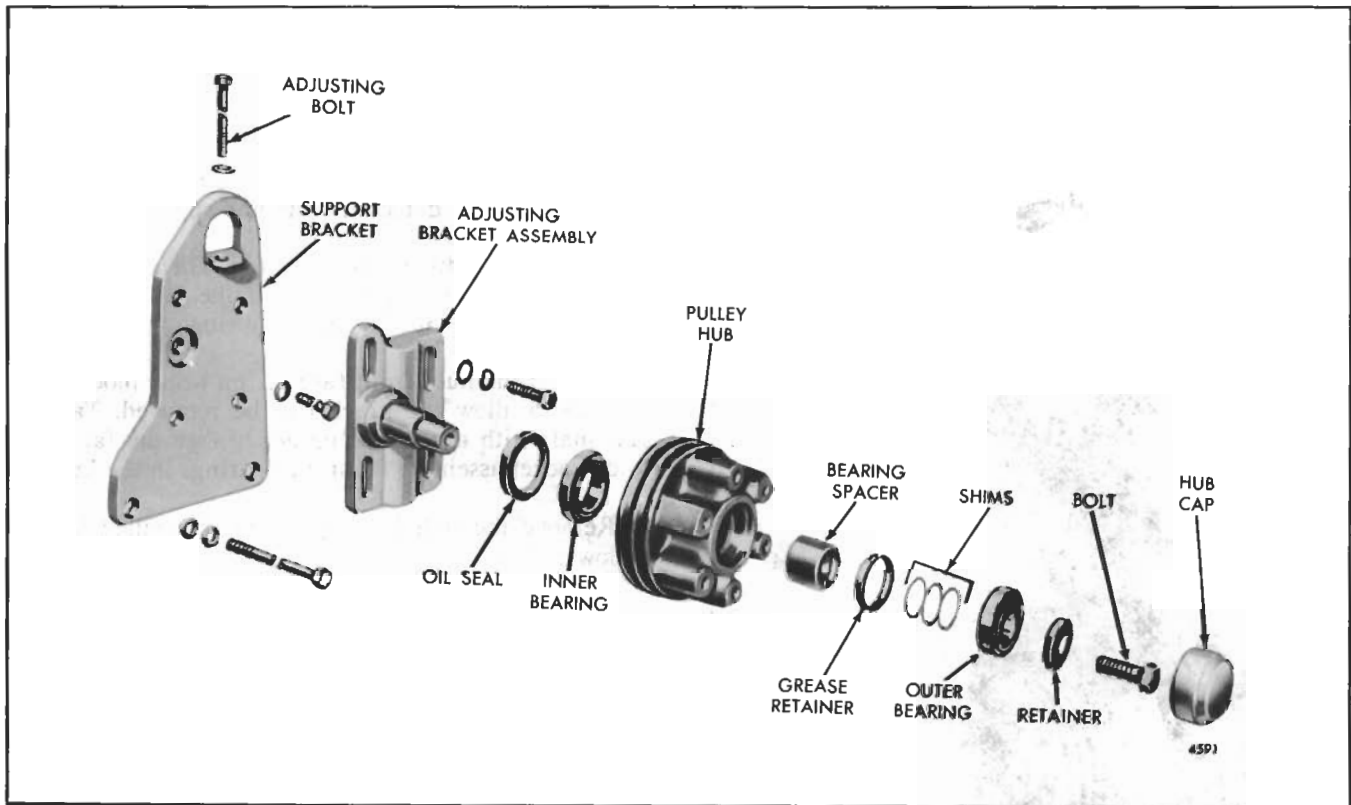


Fig. 3 - Fan Pulley, Hub and Adjusting Bracket Details for Compact Front End Engines

Disassemble Fan, Hub and Bracket (Compact Front End - Fig. 3)

1. Remove the fan to hub mounting bolts, nuts and lock washers and detach the fan and spacer.
2. Remove and discard the hub cap, then remove the pulley retaining bolt and retainer.
3. Support the pulley hub, front face up, on wood blocks high enough to allow the adjusting bracket assembly to be removed. Tap the shaft with a plastic hammer to free the adjusting bracket assembly from the bearings in the pulley hub.
4. Remove the bearings and oil seal as follows:
 - a. Remove the inner race from the front (outer) bearing.
 - b. Remove the shims and bearing spacer.
 - c. Tap the outer race of the front (outer) bearing out of the pulley hub by tapping alternately around the rear face of the bearing outer race with a small brass rod and hammer.
 - d. Reverse the pulley hub and drive the oil seal from the hub. Discard the oil seal.
 - e. Remove the rear (inner) bearing in the same manner as outlined in Steps a and c.
 - f. Remove the grease retainer from the pulley hub.

Disassemble Fan, Poly-V Groove Pulley Hub and Bracket (16V Engine)

1. Remove the fan to pulley hub mounting bolts, nuts and lock washers and detach the fan and spacer.
2. Remove and discard the hub cap. Then pry out that part of the lock nut staked into the shaft and remove the nut.
3. Support the pulley hub, front face up, on wood blocks high enough to allow the adjusting bracket to be removed. Tap the shaft with a plastic hammer to free the bracket assembly from the bearings in the pulley hub.
4. Support the pulley hub, front face up, on two wood blocks spaced far enough apart to permit removal of the seal and bearing from the hub.
5. Remove and discard the felt oil seal in the rear of the hub.
6. Remove the inner roller bearing out of the hub by

tapping alternately around the rear face of the bearing outer race with a small brass rod and hammer.

7. Remove the spacer and shims.

8. Reverse the pulley hub on the wood blocks and remove the front roller bearing from the hub in the same manner.

Inspection

Clean the fan and related parts with clean fuel oil and dry them with compressed air. *Shielded bearings must not be washed*; dirt may be washed in and the cleaning fluid could not be entirely removed from the bearing.

Examine the bearings for any indications of corrosion or pitting. Hold the inner race or cone so it does not turn and revolve the outer race or cup slowly by hand. If rough spots are found, replace the bearings.

Check the fan blades for cracks. Replace the fan if the blades are badly bent, since straightening may weaken the blades, particularly in the hub area.

Remove any rust or rough spots in the grooves of the fan pulley and crankshaft pulley. If the grooves are damaged or severely worn, replace the pulleys.

Examine and measure the fan hub shaft front and rear journals (industrial engines). The front journal diameter of a new shaft is .7866"-.7871" and the rear journal is 1.7705"-1.7713". If the journals are worn excessively, replace the fan shaft.

Look for cracks in the adjusting and support bracket castings. When replacement of either the fan shaft or adjusting bracket is necessary, a new fan shaft and bracket assembly must be used.

Assemble Three Groove Hub and Bracket (Fig. 2)

1. Install the rear bearing in the pulley hub.
2. To prevent the possibility of the inner bearing race spinning on the shaft, apply a small quantity of Loctite No. RC 601, or equivalent, to the full circumference of the rear bearing surface of the shaft. The bearing and shaft surfaces must be clean and dry.

CAUTION: Make sure no Loctite gets into the bearing.

3. Pack the cavity in the pulley hub 75% (minimum) full of grease. Use Texaco Premium RB or an equivalent Lithium base multi-purpose grease.

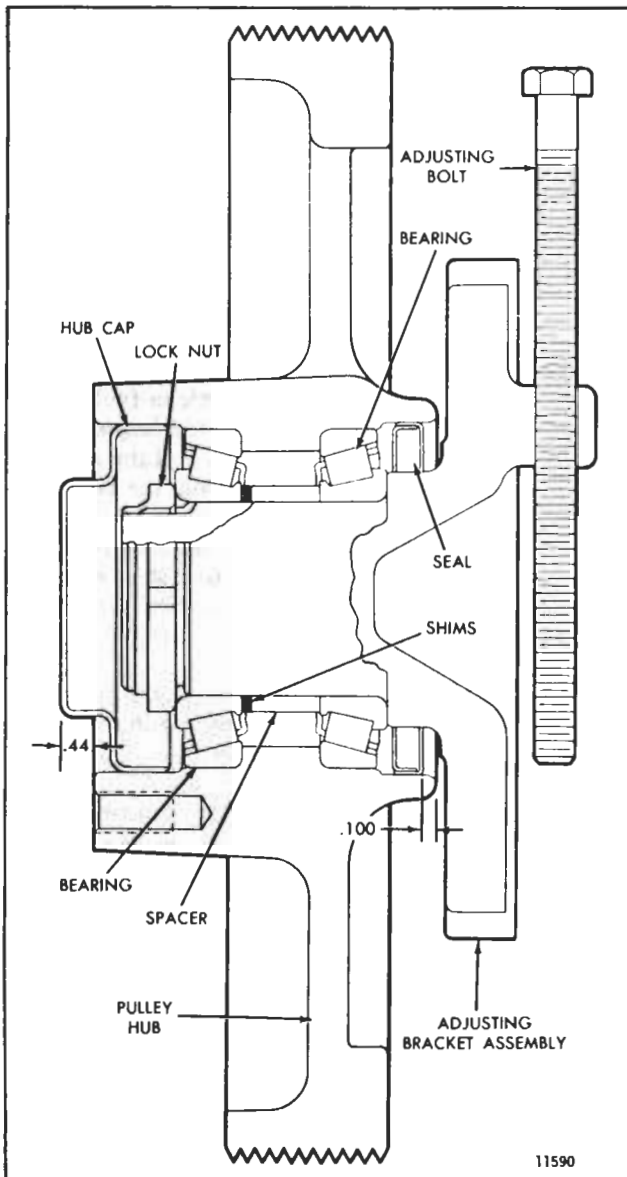


Fig. 4 - Typical 16V Engine Poly-V Groove Pulley Hub and Adjusting Bracket

4. Place the adjusting bracket on wood blocks setting on the bed of an arbor press. Then press the pulley hub on the fan shaft.

5. Install the front ball bearing in the pulley hub.

6. Install the retaining ring and nut. Tighten the nut to 60-90 lb-ft (81-22 Nm) torque and secure it with a cotter pin.

CAUTION: If the holes in the nut and shaft do not line up for the cotter pin, do not back off on the nut but rather advance to the next position. Low nut torque will permit the front bearing to turn on the shaft.

7. Pack the front cavity 75% (minimum) full of grease (refer to Step 2) and install a new hub cap.

Assemble Hub and Bracket (Compact Front End - Fig. 3)

1. Apply Texaco Premium RB or an equivalent Lithium base multi-purpose grease to the rollers of both bearings before installing them in the pulley hub.

2. Install the rear (inner) bearing assembly (inner and outer race), with the protruding face of the inner race facing outward from the hub, by tapping alternately around the face of the bearing outer race with a small brass rod and hammer.

3. Install a new oil seal with the rubber side flush with the outer edge of the hub.

4. Place the adjusting bracket assembly on wood blocks setting on the bed of an arbor press. Then press the pulley hub on the fan shaft and install the bearing spacer.

5. Pack the cavity between the bearings 20-30% full of grease (refer to Step 1) and install the grease retainer.

NOTE: The grease retainer is not required when a grease fitting is installed in the pulley hub (refer to Section 5.0).

6. Place the shims against the bearing spacer. Then install the front (outer) bearing assembly (inner and outer race), with the protruding face of the inner race facing outward from the hub, as mentioned in Step 2.

7. Secure the hub with the retainer and bolt. Tighten the 1/2" -20 bolt to 83-93 lb-ft (113-126 Nm) torque while rotating the pulley.

8. Rotate the assembly and check the end play with the spindle (shaft) in a horizontal position. The end play must be within .001" to .006". If necessary, remove the bolt, washer and front (outer) bearing and adjust the number and thickness of shims to obtain the required end play. Shims are available in .015", .020" and .025" thickness. Then reassemble the fan hub and check the end play.

9. Fill a new fan hub cap 75% (minimum) full of grease and install it in the end of the fan hub (pulley).

Assemble Poly-V Groove Pulley Hub and Bracket (16V Engine)

1. Before assembling the roller bearings into the pulley hub, pressure lubricate the bearings and pack the cavity in the hub 25% full of grease. Use Texaco Premium RB or an equivalent Lithium base multi-purpose grease.

2. Install the rear roller bearing in the pulley hub.

3. Press a new oil seal in .100" from the end of the pulley hub (Fig. 4).

4. Place the adjusting bracket on wood blocks setting on the bed of an arbor press. Then press the pulley hub on the fan shaft.

5. Install the spacer and necessary shims on the fan shaft.

6. Install the front roller bearing in the pulley hub.

7. Install the lock nut and tighten it with socket J 22556-2 and fingers J 6534-8 to 195-205 lb-ft (265-278 Nm) torque while rotating the pulley hub.

IMPORTANT: Reverse the fingers J 6534-8 in socket J 22556-2 (chamfered holes in fingers facing the socket) when fingers are used to tighten the 16V Poly-V groove pulley hub lock nut.

8. Check the end play. It must be .001" to .006". If necessary, remove the lock nut and front bearing and add or remove shims as required.

9. After the specified end play is obtained, remove the lock nut and front bearing and fill the pulley hub

cavity 20-30% full of grease (refer to Step 1). Then reinstall the front bearing and lock nut.

10. Tighten the lock nut to 195-205 lb-ft (265-278 Nm) torque and stake the lock nut to the fan shaft.

11. Fill a new hub cap 75% (minimum) full of grease and install it in the pulley hub (Fig. 4).

Install Fan, Hub and Bracket

1. Secure the fan and spacer to the pulley hub with the six bolts, nuts and lock washers. Tighten the nuts to 15-19 lb-ft (20-26 Nm) torque.

2. Place the fan belts on the pulley.

CAUTION: Before a Poly-V belt is installed (16V engines), it is very important that the crankshaft pulley and fan pulley are in alignment (refer to Section 15.1).

3. Position the fan, hub and adjusting bracket against the support bracket and install the bolts finger tight in the support.

4. Adjust the bracket to provide the proper tension on the fan belts (refer to Section 15.1). Tighten the bracket and bracket adjusting bolts.

THERMO-MODULATED FAN

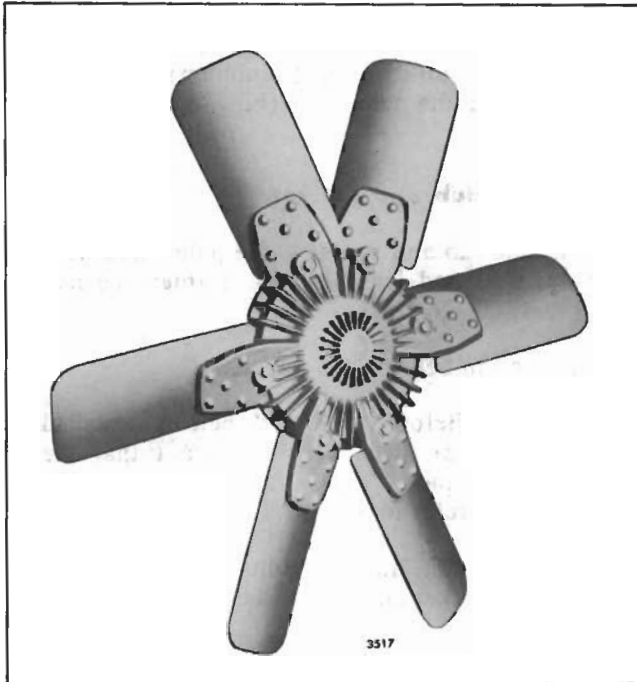


Fig. 5 - Typical Thermo-Modulated Fan Assembly

A thermo-modulated suction fan assembly has been provided on some engines (Fig. 5).

This fan assembly is designed to regulate the fan speed and maintain an efficient engine coolant temperature regardless of the variations in the engine load or outside air temperature.

The entire fan drive assembly is a compact integral unit (Fig. 6) which requires no external piping or controls and operates on a simple principle. This principle consists of transmitting torque from the input shaft to the fan by the shearing of a silicon fluid film between the input and output plates in a sealed multiplate, fluid filled clutch housing.

The thermostatic control element, which is an integral part of the fan drive, reacts to changes in engine temperature and varies the fluid film thickness between the plates and thereby changes the fan speed. Proper selection of the control element setting is determined by the vehicle manufacturer to maintain optimum cooling and no further adjustment should be necessary.

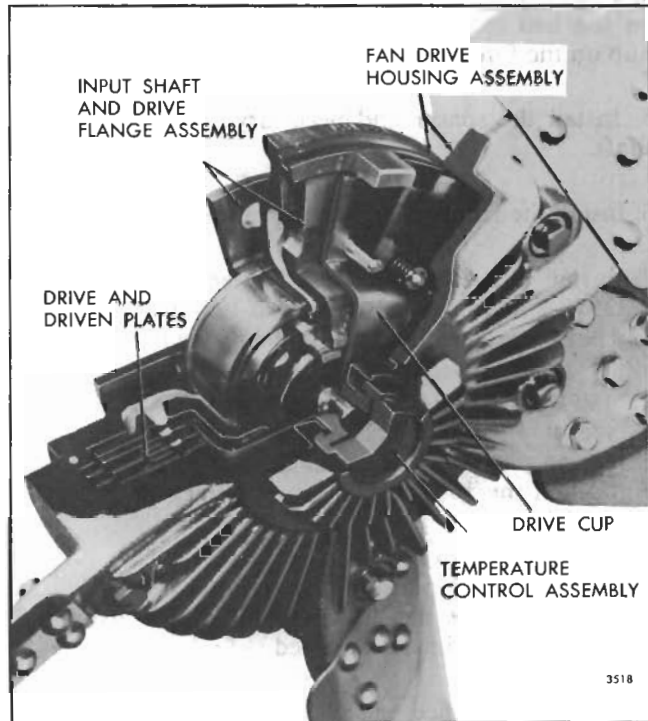


Fig. 6 - Typical Thermo-Modulated Fan Drive Assembly

The thermo-modulated fan is mounted and driven by the engine in the same manner as the conventional fan.

Lubrication

The fan drive assembly is prelubricated by the manufacturer. However, the drive fluid level and the roller bearing should be checked periodically (refer to Section 15.1).

Adjust Fan Belt

The adjustment of the fan belt tension is the same as on the conventional type fans.

Remove and Install Fan and Drive Assembly

The fan blades and fan drive may be taken off by removing the four shaft to pulley mounting bolts, and installed by reversing this procedure.

HEAT EXCHANGER

The heat exchanger core consists of a series of cells with a header at one end and a circular water outlet at the opposite end. The core is mounted inside of the expansion tank with the header or inlet end bolted to the tank and the opposite or outlet end is sealed inside a retainer. A gasket between the expansion tank and the flange of the core, another gasket between the flange of the core and the cover at the inlet side, and seals surrounding the circular outlet at the opposite end prevent the coolant from mixing with the raw cooling water on its horizontal course between the cells of the element.

In this system of engine cooling, the hot coolant leaving the thermostat housing passes through the expansion tank, then through the cells of the cooling core. After leaving the heat exchanger, the engine coolant is picked up by the fresh water pump and circulated through the cylinder block and cylinder heads. The raw water is forced horizontally between the cells of the core and serves to lower the temperature of the coolant as it passes through the cells.

To protect the heat exchanger core from electrolytic action of the raw water, a zinc electrode is located in both the heat exchanger inlet elbow and the raw water pump inlet elbow and extends into the raw water passage (Fig. 1).

The expansion tank provides a means of filling the engine cooling system, as well as space for expansion of the coolant as its temperature rises. An overflow pipe, near the top of the tank, provides a vent to the atmosphere.

IMPORTANT: When installing a new filler neck in the expansion tank, be sure to drill a 3/16" hole in the side of the new filler neck for the overflow pipe.

The length of time a heat exchanger will function satisfactorily before cleaning will be governed largely by the kind of coolant used in the engine, and the kind of raw water used.

Soft water, plus a good commercial rust inhibitor or antifreeze should be used as the engine coolant (refer to Section 13.3) to prevent lime deposits in the heat exchanger core as well as in the engine.

Enough coolant should be maintained in the engine to fill the cylinder block and head and to partially fill the water tank. Allow air space above the coolant in the tank for the increase in volume as the temperature of the coolant rises.

Whenever the heat exchanger fails to cool the engine properly, and the raw water pump is circulating a normal amount of cooling water around the heat exchanger core, the core should be examined for foreign deposits.

Clean Heat Exchanger Core

When foreign deposits accumulate in the heat exchanger to the extent that cooling efficiency is impaired, remove the heat exchanger core and clean it as follows:

Immerse the heat exchanger core in a scale solvent consisting of one-third (1/3) muriatic acid and two-thirds (2/3) water to which one-half (1/2) pound of oxalic acid has been added to each two and one-half (2-1/2) gallons of solution. Remove the core when foaming and bubbling stops. This usually takes from thirty to sixty seconds. Flush the core thoroughly with clean hot water under pressure.

To prevent drying and hardening of accumulated foreign substances, the heat exchanger core must be cleaned as soon as possible after removing it from service.

Inspect Zinc Electrodes

Remove the zinc electrodes from the inlet side of the raw water pump and the heat exchanger. Clean the electrodes with a wire brush or, if worn excessively, replace with new electrodes. To determine the condition of a used electrode, strike it sharply against a hard surface; a weakened electrode will break.

Remove Heat Exchanger Core (6 and 8V Engines)

Remove heat exchanger core for cleaning and inspection as follows:

1. Drain the engine coolant and the raw water system.
2. Remove the four bolts and lock washers that hold the raw water inlet tube to the heat exchanger. Then withdraw the inlet tube and gasket.
3. Remove the ten bolts and lock washers that hold the heat exchanger inlet cover to the expansion tank.
4. Remove the four bolts and lock washers that hold



Fig. 1 - Typical Heat Exchanger Mounting

the outlet tube to the cover. Then remove the outlet tube and gasket.

5. Remove the ten bolts and lock washers that hold the outlet cover and seal retainer to the expansion tank.
6. Withdraw the outlet cover and seal retainer,

together with the seals and seal gland, from the expansion tank. Remove the gasket.

7. Withdraw the heat exchanger core and gasket from the expansion tank.

Remove Heat Exchanger Core (8VTI and 16V Engines)

1. Drain the fresh and raw water systems by opening the drain cocks in the cylinder block and the heat exchanger cover respectively.
2. Remove the bolts that hold the inlet cover and the heat exchanger core to the tank. Remove the cover and the gasket.
3. Remove the bolts that hold the outlet cover to the seal retainer. Remove the cover and gasket.
4. Remove the bolts that hold the seal retainer to the tank. Remove the seal retainer, together with the seals and the seal gland, away from the tank.
5. Withdraw the heat exchanger core and gasket from the tank.

Install Heat Exchanger Core

After the heat exchanger core has been cleaned and inspected, install it by reversing the sequence of operations given for removal, using new gaskets and seals.

NOTE: To minimize electrolytic action of the raw water, brass pipe plugs are used in the raw water system components wherever pipe plugs are required.

Refill the fresh and raw water systems and check for leaks.

RAW WATER PUMP (JABSCO)

Raw water for lowering the temperature of the engine coolant is circulated through the heat exchanger by a positive displacement pump (Fig. 1). The pump is attached to an adaptor which in turn is bolted to the flywheel housing and is driven through a coupling attached to the left-hand camshaft gear.

The pump drive shaft is supported by a pre-lubricated, shielded double-row ball bearing. An oil seal prevents oil leakage from the bearing compartment and a rotary type seal prevents water leakage along the shaft.

An impeller, splined to the end of the drive shaft, is self-lubricated by the water pumped and should not be run dry for longer than normally required for the pump to prime itself.

A wear plate in the impeller compartment prevents wear of the pump housing and can be reversed if wear on the plate becomes excessive. A slot machined in the outer periphery of the wear plate registers with a dowel in the pump housing, thus preventing it from rotating with the shaft.

The pump can be operated in a clockwise or counter-clockwise direction. Raw water is drawn into the pump through an inlet opening and discharged through the outlet opening, both openings being located at the top of the pump housing.

Replace Pump Seal

Seal parts may be removed and replaced with new parts by removing the impeller, but without removing the pump from the engine.

NOTE: Use care not to scratch or burr the lapped surface of the seal seat or that portion of the shaft which the seal contacts.

1. Remove cover screws and lift cover and gasket from the housing (Fig. 2).
2. Using two pliers, grasp a blade at each side of impeller and pull impeller from shaft. The spline plug will come out with the impeller.
3. Insert two wires, each with a hook at one end, between the housing and the seal with the hooks over the edge of the carbon seal. Pull the seal assembly from the shaft.
4. The seal seat and gasket may be removed in the same manner.

5. If removed, place a gasket and seal seat over the shaft and press them into position in the seal cavity.
6. Assemble the carbon seal, seal ring and washer in the correct relative position, and slide them over the shaft and against the seal seat. Care must be used to assure that the seal ring is contained snugly within the ferrule, thereby gripping the shaft.
7. Install the Marcel washer next to the flat washer.
8. Compress the impeller blades to clear the offset cam and press the impeller onto the splined shaft. Install the spline plug.
9. Turn the impeller several turns in that direction in which it will normally operate, to position the blade properly.
10. Install the cover on the housing, using a new gasket.

Remove Raw Water Pump From Engine

If complete disassembly or replacement of the pump becomes necessary, refer to Fig. 1 and proceed as follows:

1. Drain the raw water system.
2. Loosen the hose clamps at the outlet elbow and intermediate tube and slide the hose along the tube.

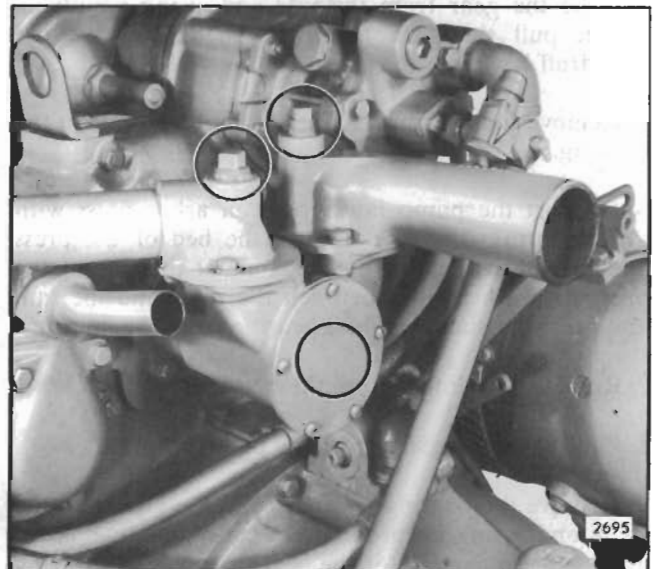


Fig. 1 - Raw Water Pump Mounting

3. Loosen the hose clamps at the inlet elbow and the inlet tube and slide the hose along the tube.
4. Remove the bolts and lock washers holding the inlet and outlet elbows to the pump and lift the elbows from the pump. Remove the gaskets.
5. Remove the adaptor to flywheel housing bolts and lock washers.
6. Loosen the pump from the flywheel housing by tapping on the edge of the adaptor with a soft hammer.
7. Withdraw the pump straight out from the flywheel housing, disengaging the drive gear from the coupling.

CAUTION: Cover the pump opening in the flywheel housing with a clean cloth to prevent the entrance of foreign matter.

Disassemble Pump

Refer to Fig. 2 and disassemble the pump as follows:

1. Remove the seal assembly as previously outlined.
2. Mark the housing and the adaptor for reference when reassembling, then remove the bolts and lock washers and separate the adaptor from the housing.
3. Clamp the drive gear in a soft-jawed vise and remove the retaining nut and lock washer from the shaft.
4. Take the gear from the vise and, using a suitable puller, pull the gear from the shaft. Remove the Woodruff key from the shaft.
5. Remove the bearing retainer from the groove in the housing.
6. Support the pump housing in an arbor press with the mounting flange resting on the bed of the press and the splined end of the shaft under the ram of the press. Use a brass rod between the shaft and the ram and press the shaft and ball bearing from the housing.
7. Remove the slinger from the housing.
8. Pull the bearing seal from the pump housing.
9. Remove the bearing retainer from the groove in the shaft and, using an arbor press and a suitable sleeve against the inner race of the bearing, press the bearing off the threaded end of the shaft.

NOTE: The raw water pumps on 8 and 16V

engines do not have a bearing retainer on the pump shaft.

10. Remove the bolt and lift the cam from the housing.
11. Lift the wear plate off the dowel.

Inspect Pump Parts

After disassembly, clean all parts thoroughly, except the bearing. The *shielded bearing must not be washed*, dirt may be washed in and the cleaning fluid could not be entirely removed from the bearing. Wipe the bearing clean on the outside and then inspect it. Hold the inner race and revolve the outer race slowly to detect possible wear or rough spots. Replace the bearing if it is worn or does not roll freely.

Examine the parts of the seal assembly, the ball bearing seals and discard any parts that have been cut, cracked or otherwise damaged.

Inspect the oil seal contact surfaces of the shaft for scratches or grooves. Smooth scratched surface with crocus cloth wet with fuel oil.

Inspect the impeller to make sure the bond between the neoprene and the metal is good. If the impeller blades have a permanent set, install a new impeller.

Remove burrs from the wear plate. If wear on the plate is excessive, it may be reversed when the pump is assembled.

Assemble Pump

Using new parts where required, assemble the pump as follows:

1. Install the wear plate in the pump housing with the locating hole in the plate over the dowel in the housing.
2. Place the cam in the housing so the end of the cam is flush with the end of the housing and install the bolt.
3. Support the splined end of the shaft on a wood block on the bed of an arbor press. Start the bearing straight on the shaft and, using a sleeve between the ram of the press and the inner race of the bearing, press the bearing tight against the shoulder on the shaft.
4. Install the bearing retainer in the groove on the shaft.

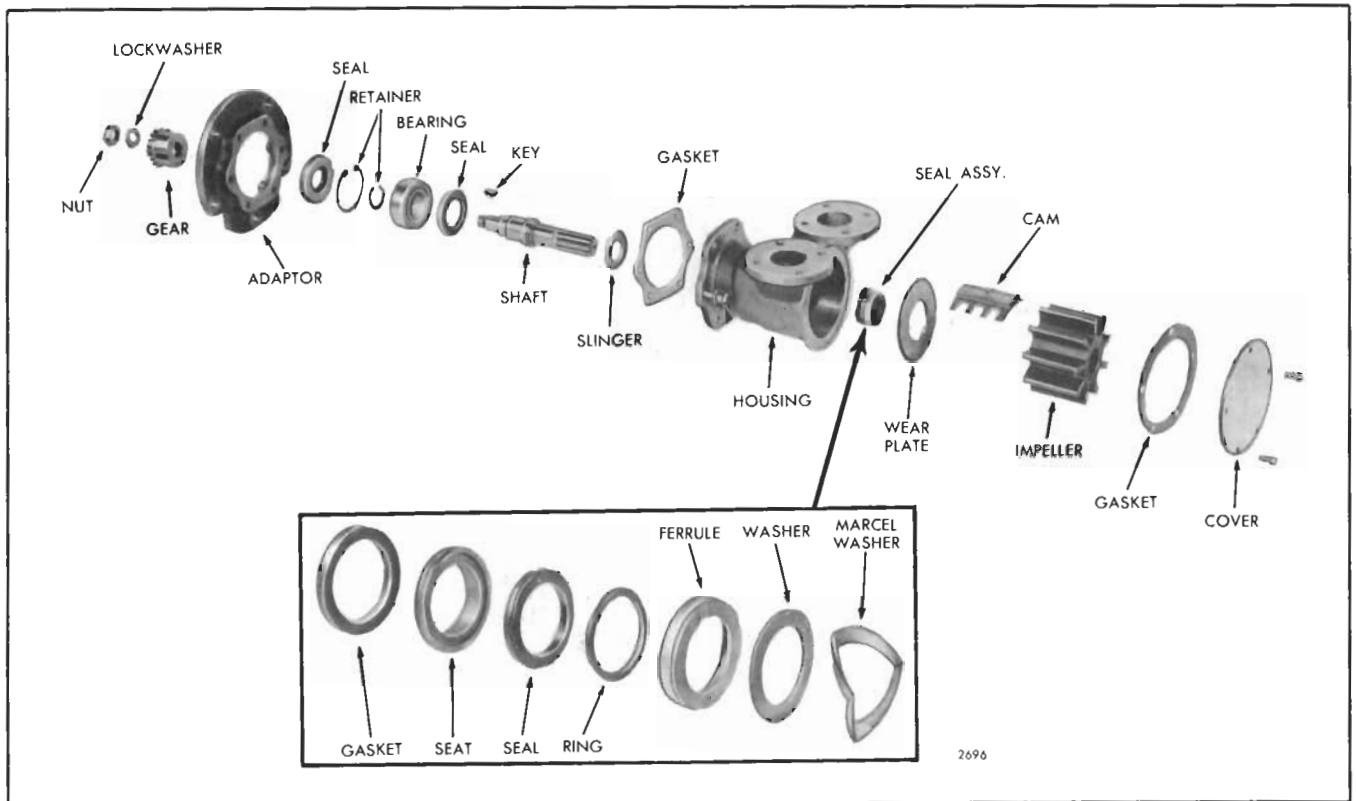


Fig. 2 - Raw Water Pump Details and Relative Location of Parts

NOTE: The raw water pumps used on 8 and 16V engines do not have a bearing retainer on the pump shaft.

5. Install the bearing seal(s) in the housing with the lip facing towards the bearing.
6. Place the slinger in position and then press the shaft and bearing into the counterbore in the housing.
7. Install the bearing retainer in the groove in the housing.
8. Install a Woodruff key in the shaft and start the gear straight on the shaft over the key.
9. Place the housing in an arbor press, with the splined end of the shaft supported on a wood block, and press the gear tight against the shoulder on the shaft.
10. Clamp the gear in a soft-jawed vise and install the lock washer and retainer nut. Tighten the nut to 25-30 lb-ft torque. Do not exceed the specified torque,

otherwise shaft fracture and consequent early pump failure may result.

11. Position the adaptor on the housing by aligning the marks made when disassembling and install the six lock washers and bolts.

Install Raw Water Pump on Engine

The pump may be installed by reversing the procedure used for removal.

Note that the end cover is marked to show the outlet port for RH rotation and the outlet port for LH rotation.

Follow these markings when installing the raw water pump to avoid any difficulty regarding direction of flow. Also, when installing the inlet elbow or the outlet elbow, be sure to use two flat washers on the bolt being installed in the blind hole in pump housing.

100

COOLANT FILTER AND CONDITIONER

The engine cooling system filter and conditioner is a compact by-pass type unit with a replaceable canister type element (Fig. 1), a spin-on type element (Fig. 2) or a clamp-on type element (Fig. 3).

A correctly installed and properly maintained coolant filter and conditioner provides a cleaner engine cooling system, greater heat dissipation, increased engine efficiency through improved heat conductivity and contributes to longer life of engine parts.

The filter provides mechanical filtration by means of a closely packed element through which the coolant passes. Any impurities such as sand and rust particles suspended in the cooling system will be removed by the straining action of the element. The removal of these impurities will contribute to longer water pump life and proper operation of the thermostat.

The filter also serves to condition the coolant by softening the water to minimize scale deposits, maintain an acid-free condition and act as a rust preventive.

Corrosion inhibitors are placed in the element and dissolve into the coolant, forming a protective rustproof film on all of the metal surfaces of the

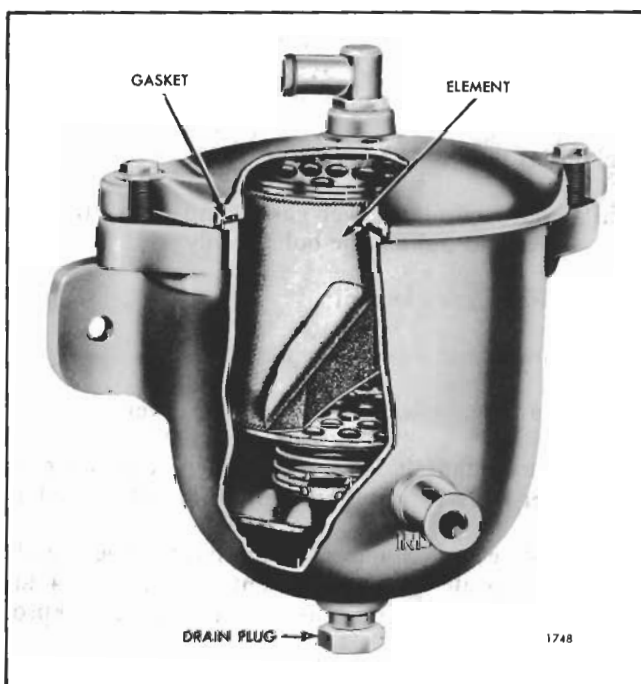


Fig. 1 - Coolant Filter and Conditioner
(Canister Type)

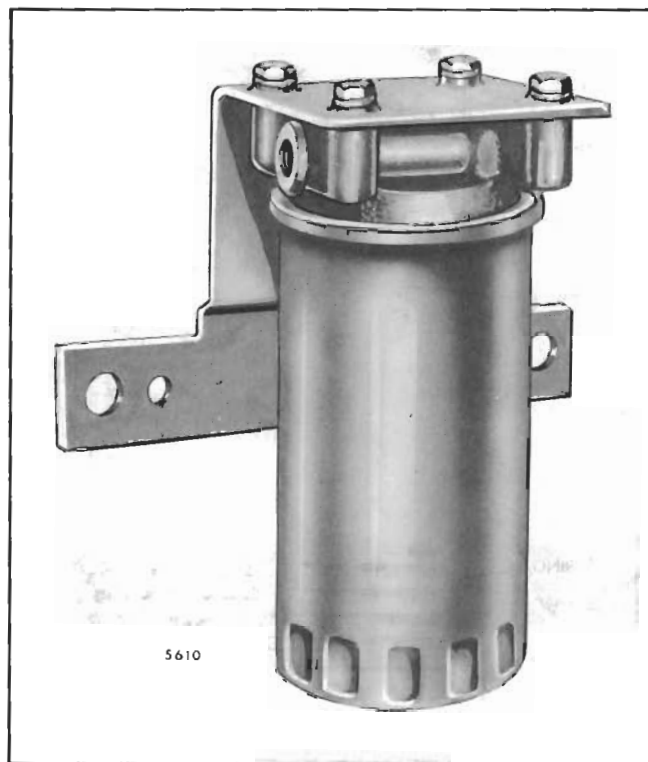


Fig. 2 - Coolant Filter and Conditioner (Spin-On Type)

cooling system (refer to Section 13.3). The other components of the element perform the function of cleaning and preparing the cooling passages while the corrosion inhibitors protect them.

Filter Installation

If a coolant filter and conditioner is to be installed on an engine which has been in service, drain and flush the cooling system prior to installation of the filter.

Filter Maintenance

Replace the chemically activated element, following the manufacturer's recommended change periods (refer to Section 15.1). The lower corrosion resistor plate (if used) must be buffed each time (discard the plate if excessive metal loss or pitting is evident) to ensure effective protection of the cooling system.

If the filter is installed on an engine which has previously been in service, it may be necessary to change the filter element two or three times at

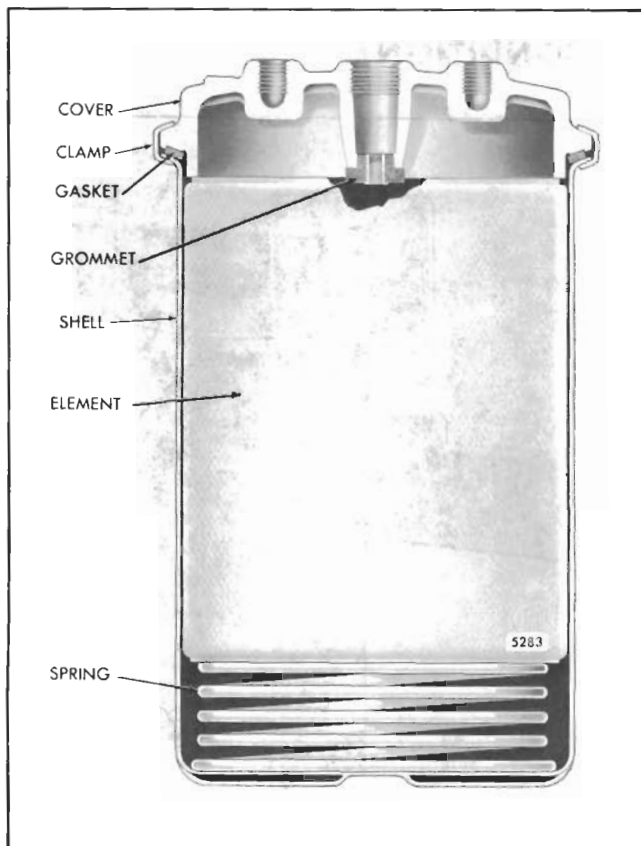


Fig. 3 - Coolant Filter and Conditioner (Clamp-On Type)

intervals of approximately 200 hours or 6,000 miles, or less, to clean up accumulations of scale and rust in the cooling system. It is advisable to drain and flush the system during these initial change intervals.

Make-up water up to 40% of the total capacity of the cooling system may safely be added before a filter element change is required.

NOTE: Sea water must never be used for make-up water in a marine engine, except under emergency conditions. If it is necessary to use sea water, the cooling system must be completely drained and flushed with fresh water upon reaching port. The filter element must be changed. Filters with resistor plates must be inspected for pitting. *Presence of salt in the coolant results in rapid pitting of the resistor plates.*

If it is necessary for any reason to drain the cooling system before an element change, the treated water should be saved and re-used. If the treated water is discarded, a new filter element must be installed since the protective agents in the used filter will have been partially consumed in treating the discarded water.

Service

The coolant filter may be grounded at the option of the user.

The current coolant filter includes a non-chromate type element. This element can be used in place of either of the former filter elements (permanent type antifreeze or plain water type) and thus provides year around cooling system protection. The current and the former filter elements are completely interchangeable in the former filter can (refer to Section 13.3).

Replace the element and service the filter and conditioner as follows:

1. Close the filter inlet and outlet shut-off valves. If shut-off valves are not provided, vise grip pliers can be used to clamp each hose closed during the filter change. Use caution to avoid damaging the hoses with the vise grip pliers.

2. Canister Type Element:

- a. Remove the drain plug in the bottom of the filter body and let drain.
- b. Remove the filter cover-to-filter body bolts.
- c. Remove and discard the element.
- d. Remove and discard the corrosion resistor plates.
- e. Remove the sludge and sediment and wash the filter body. Dry it thoroughly with compressed air.
- f. Replace the drain plug in the bottom of the filter.
- g. Insert the new element.
- h. Use a new filter cover gasket and install the filter cover and tighten the bolts evenly.

3. Spin-On Type Element:

- a. Remove and discard the element.
- b. Clean the gasket seal on the filter cover.
- c. Remove the sludge and sediment and wash the filter body. Dry it thoroughly with compressed air.
- d. Apply clean engine oil to the filter element gasket and install the new element. A 1/2 to 3/4 turn after gasket contact assures a positive leakproof seal.

4. Clamp-On Type Element:

- a. Remove the retaining clamp.

- b. Remove and discard the element.
 - c. Remove the sludge and sediment and wash the filter body. Dry it thoroughly with compressed air.
 - d. Insert the new element.
 - e. Secure the filter body in place with the clamp.
5. Open the inlet and outlet lines by opening the shut-off valves or removing the vise grip plier clamps.
6. Operate the engine and check for leaks. The top of the filter and the outlet line should feel warm to the touch with the rise in coolant temperature. If not, disconnect the filter outlet line at the end opposite the filter connection to bleed the air from the system and reconnect the line. Use caution to minimize coolant loss.

SHOP NOTES - SPECIFICATIONS - SERVICE TOOLS**SHOP NOTES****DRAINING JABSCO RAW WATER PUMP**

Although all engine units are provided with draincocks for the purpose of draining the cooling system, a small amount of coolant may remain in the impeller housing of a "Jabsco" pump.

Under normal circumstances, there would be no need in completely draining the impeller housing of a raw water pump, therefore, no drain plug has been incorporated at this location. However, certain models employ a raw water pump in conjunction with a fresh water cooling system.

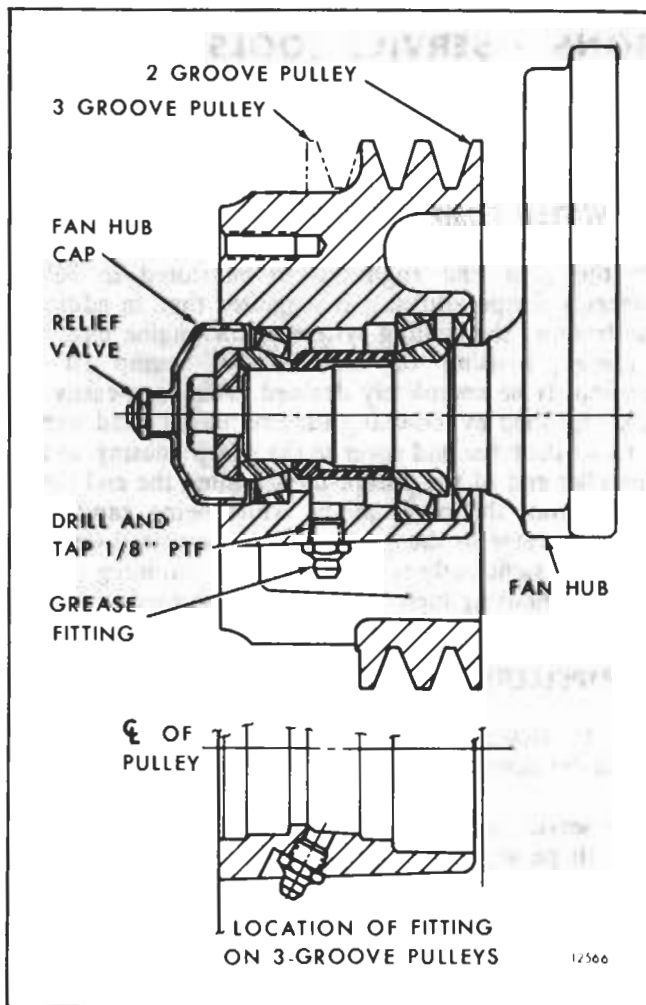
In the event the engine is to be stored in below freezing temperatures, it is suggested that, in addition to draining the cooling system of the engine unit, the impeller housing of the "Jabsco" pump (if so equipped) be completely drained. This may easily be accomplished by loosening the five fillister head screws which attach the end cover to the pump housing, at the impeller end of the pump; then, pulling the end cover away from the pump body, while being careful to avoid damage to the gasket. The screws need only be loosened sufficiently to allow complete draining of the impeller housing then, the screws retightened.

RAW WATER PUMP IMPELLERS

The Jabsco raw water pump is equipped with synthetic rubber impellers. Since the synthetic rubber begins to lose its elasticity at low temperatures, impellers made of natural rubber may be installed when it is necessary to pump raw water that has a temperature below 40° F

(4.4° C). However, the standard impellers must be used when the pump operates in warmer water.

New service impellers of natural rubber are identified by a stripe of green paint.



FAN HUB GREASE FITTING

A grease fitting may be added to former fan hub assemblies used on vehicle engines to permit periodic lubrication of the bearings.

Re-work the fan hub as follows:

1. Refer to Section 5.4 and dis-assemble the fan hub assembly and clean the parts thoroughly.
2. Drill and tap the fan hub, at the location shown in Fig. 1, to accept a 1/8" PTF x 11/16" threaded lubricator fitting. Clean the hub to remove any metal chips.
3. Refer to Section 5.4 and re-assemble the fan hub. Discard the former grease retainer as it is not required when a grease fitting is used.
4. Install a new fan hub cap which is threaded for a relief valve (Fig. 1).
5. Install a grease fitting in the fan hub and a relief valve in the fan hub cap.

Refer to Section 15.1 for the maintenance schedule.


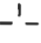



Fig. 1 - Location of Fan Hub Grease Fitting and Relief Valve

SPECIFICATIONS

STANDARD BOLT AND NUT TORQUE SPECIFICATIONS

THREAD SIZE	260M BOLTS TORQUE		THREAD SIZE	280M OR BETTER TORQUE	
	(lb-ft)	Nm		(lb-ft)	Nm
1/4 -20	5-7	7-9	1/4 -20	7-9	10-12
1/4 -28	6-8	8-11	1/4 -28	8-10	11-14
5/16-18	10-13	14-18	5/16-18	13-17	18-23
5/16-24	11-14	15-19	5/16-24	15-19	20-26
3/8 -16	23-26	31-35	3/8 -16	30-35	41-47
3/8 -24	26-29	35-40	3/8 -24	35-39	47-53
7/16-14	35-38	47-51	7/16-14	46-50	62-68
7/16-20	43-46	58-62	7/16-20	57-61	77-83
1/2 -13	53-56	72-76	1/2 -13	71-75	96-102
1/2 -20	62-70	84-95	1/2 -20	83-93	113-126
9/16-12	68-75	92-102	9/16-12	90-100	122-136
9/16-18	80-88	109-119	9/16-18	107-117	146-159
5/8 -11	103-110	140-149	5/8 -11	137-147	186-200
5/8 -18	126-134	171-181	5/8 -18	168-178	228-242
3/4 -10	180-188	244-254	3/4 -10	240-250	325-339
3/4 -16	218-225	295-305	3/4 -16	290-300	393-407
7/8 -9	308-315	417-427	7/8 -9	410-420	556-569
7/8 -14	356-364	483-494	7/8 -14	475-485	644-657
1 -8	435-443	590-600	1 -8	580-590	786-800
1 -14	514-521	697-705	1 -14	685-695	928-942

Grade identification markings are normally stamped on the heads of the bolts. To aid identification of the various bolts used in Detroit Diesel engines, refer to the following chart.

Grade Identification Marking on Bolt Head	GM Number	SAE Grade Designation	Nominal Size Diameter (inch)	Tensile Strength Min. (psi)
None	GM 255-M	1	No. 6 thru 1 1/2	60,000
None	GM 260-M	2	No. 6 thru 3/4 over 3/4 to 1 1/2	74,000 60,000
 Bolts and Screws	GM 280-M	5	No. 6 thru 1 over 1 to 1 1/2	120,000 105,000
 Hex Head Sems Only	GM 275-M	5.1	No. 6 thru 3/8	120,000
 Bolts and Screws	GM 290-M	7	1/4 thru 1 1/2	133,000
 Bolts and Screws	GM 300-M	8	1/4 thru 1 1/2	150,000
 Bolts and Screws	GM 455-M	None	No. 6 thru 1 1/2	55,000

12252

BOLT IDENTIFICATION CHART

EXCEPTIONS TO STANDARD BOLT AND NUT TORQUE SPECIFICATIONS

APPLICATION	THREAD SIZE	TORQUE (lb-ft)	TORQUE Nm
Water manifold nut	3/8-24	20-25	27-34
Water pump impeller retaining nut	7/16-20	45-50	61-68

STUD TORQUE SPECIFICATIONS

APPLICATION	TORQUE (lb-ft)	TORQUE Nm
Water pump body stud (16V-92)	10-20	14-27
Water pump cover stud (16V-92)	12-15	16-20

SERVICE TOOLS

TOOL NAME	TOOL NO.
Fingers, fan hub nut socket (16V-92)	J 6534-8
Handle	J 7079-2
Oil seal installer	J 8501
Pliers	J 4646
Puller	J 24420
Socket, fan hub nut (16V-92)	J 22556-2
Thermostat seal installer	J 8550
Water pump bearing and gear installer	J 25257
Water pump seal remover set	J 22150-01

SECTION 6 EXHAUST SYSTEM

CONTENTS

Exhaust System	6
Exhaust Manifold (Air-Cooled)	6.1
Exhaust Manifold (Water-Cooled)	6.1.1

EXHAUST SYSTEM

Fan and radiator cooled engines are equipped with an air-cooled exhaust manifold. A water-cooled exhaust manifold is provided for engines incorporating a heat exchanger or keel cooling system.

The outlet flange may be located at the end or at the mid-section of the exhaust manifold, depending upon the installation requirements. A flexible exhaust

connection or a muffler may be attached to the outlet flange.

The exhaust manifold is attached to studs located between the exhaust ports and the outer side of the two end ports in the cylinder head. Special washers and nuts secure the manifold to the cylinder head.

MEMORANDUM

FOR THE RECORD

PROJECT 1

1. [unclear] [unclear]
2. [unclear] [unclear]

MEMO

TO: [unclear]

FROM: [unclear]
SUBJECT: [unclear]

EXHAUST MANIFOLD (Air-Cooled)

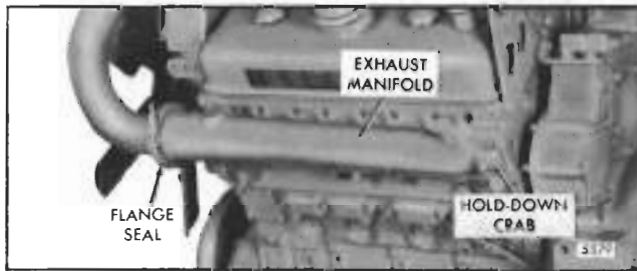


Fig. 1 - Typical Cast Air-Cooled Exhaust Manifold Mounting

The cast air-cooled manifold (Fig. 1) has a uniform circular cross-section and tapers upward from each end toward the center where a flange is provided for the attachment of the exhaust piping or muffler.

Remove Exhaust Manifold

Usually, the exhaust manifold will be removed with the cylinder head. However, when the exhaust manifold gaskets only need to be replaced, the manifold may be removed in the following manner without removing the cylinder head:

1. Loosen the flange seal connecting the exhaust manifold at the outlet tube.
2. Disconnect the exhaust pipe or muffler from the exhaust manifold flange.
3. Loosen and remove the nuts and bevel washers which secure the exhaust manifold to the cylinder head. It is suggested that, as a safeguard, one nut and washer be loosened and left on one of the center studs until all other nuts and washers have been removed.
4. Support the manifold and remove the nut and washer from the center stud.
5. Lift the manifold away from cylinder head.
6. Remove the manifold gaskets.

Install Exhaust Manifold

With all traces of the old gaskets removed from the cylinder head and bolting flanges of the exhaust manifold, install it as follows:

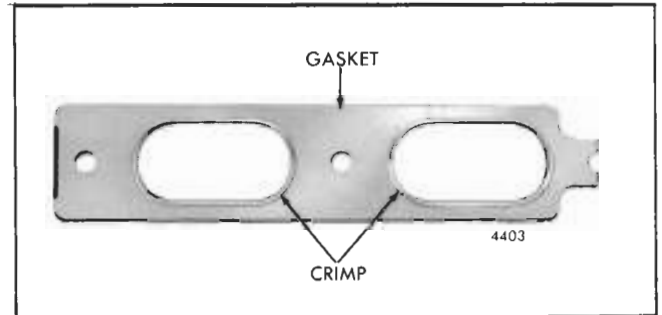


Fig. 2 - Metal Clad Exhaust Manifold Gasket

1. Make sure the internal walls of the manifold are clean to eliminate possible damage to the turbo-charger, if used.

2. Place a new gasket(s) over the studs and up against the cylinder head.

CAUTION: When installing the metal clad exhaust manifold gasket(s) be sure the crimped side of the gasket (Fig. 2) faces the cylinder head.

3. Position the exhaust manifold over the studs and up against the gasket.

4. Install the bevel washers and nuts on the studs and draw the exhaust manifold up against the gasket. Tighten the nuts to 30-35 lb-ft torque.

NOTE: Set the bevel washers in position so that outer diameter will rest on the manifold and the crown at the center is next to the nut.

IMPORTANT: Tighten the exhaust manifold stud nuts from the center of the exhaust manifold outward, alternating toward either end.

5. Connect the exhaust pipe or muffler to the exhaust manifold flange.

6. Tighten the flange seal connecting the exhaust manifold to the outlet tube.

(/ / 1901-1902)

PLANT



PLANT

PLANT

PLANT

PLANT

PLANT

PLANT

PLANT

PLANT

PLANT

PLANT

PLANT

PLANT

PLANT

PLANT

PLANT

EXHAUST MANIFOLD (Water-Cooled)

The one-piece water-cooled manifold (Fig. 1) is cast with an integral water jacket surrounding the exhaust chamber. The diameter of the exhaust chamber increases uniformly from one end to the other where it terminates in a flange to which an elbow and flexible exhaust connection is attached. A portion of the engine coolant is by-passed from the rear of the cylinder block into the rear end of the jacket surrounding the exhaust manifold and is discharged from the forward end through a tube into the thermostat housing. A draincock is installed in the bottom of the manifold for draining the water jacket. A plug is provided in the bottom of the exhaust manifold elbow for draining moisture condensed from the exhaust gases.

Remove Exhaust Manifold

Usually, the exhaust manifold will be removed with the cylinder head. However, when the exhaust manifold gasket only needs to be replaced, the manifold may be removed in the following manner without removing the cylinder head:

1. Drain the cooling system.
2. Disconnect the water inlet and the water outlet tubes from the exhaust manifold.
3. Disconnect the exhaust pipe from the flange so that it will not interfere with removal of the exhaust manifold.
4. Loosen and remove the nuts and bevel washers which secure the exhaust manifold to the cylinder head. It is suggested that, as a safeguard, one nut and washer be loosened and left on one of the center studs until all other nuts and washers have been removed.
5. Support the manifold and remove the nut and washer from the center stud.
6. Lift the manifold off the studs and away from the cylinder head.
7. Remove the manifold gasket.

Install Exhaust Manifold

With all traces of the old gasket removed from the cylinder head and bolting flange of the exhaust manifold, it may be installed as follows:

1. Make sure the internal walls of the exhaust manifold are clean to eliminate possible damage to the turbocharger, if used.

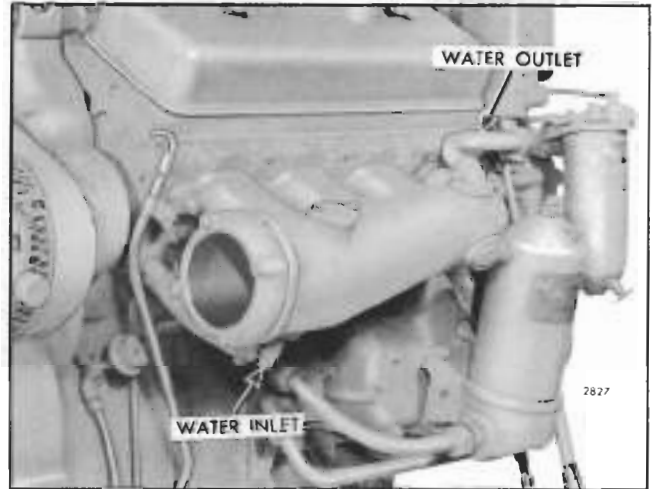


Fig. 1 - Typical Water-Cooled Exhaust Manifold Mounting

2. Place a new gasket over the studs and up against the cylinder head.
3. Position the exhaust manifold over the studs and up against the gasket.
4. Install the bevel washers and nuts on the studs and draw the exhaust manifold up against the gasket. Tighten the nuts to 30-35 lb-ft torque.

NOTE: Bevel washers should be set in position so that the outer diameter will rest on the manifold and the crown at the center is next to the nut.

IMPORTANT: The exhaust manifold stud nuts should be tightened from the center of the exhaust manifold outward, alternating towards either end.

5. If the exhaust flange was removed from the manifold, install the flange using a new gasket.
6. Connect the exhaust pipe to the flange.
7. Connect the water inlet and outlet tubes to the manifold.
8. Fill the cooling system and check for leaks.



SECTION 7

ELECTRICAL EQUIPMENT, INSTRUMENTS AND PROTECTIVE SYSTEMS

CONTENTS

Electrical System.....	7
Battery-Charging Alternator.....	7.1
Battery-Charging Alternator Regulator	7.1.1
Storage Battery	7.2
Starting Motor.....	7.3
Instruments and Tachometer Drive.....	7.4
Engine Protective Systems	7.4.1
Alarm System.....	7.4.2
Overspeed Governors	7.4.3
Power Generator and Controls.....	7.5
Shop Notes - Trouble Shooting - Specifications - Service Tools.....	7.0

ELECTRICAL SYSTEM

A typical engine electrical system generally consists of a starting motor, a battery-charging alternator, a transistor combination voltage regulator, current regulator and cutout relay to protect the electrical system, a storage battery and the necessary wiring.

Additional equipment such as an engine protective system may also be included.

Detailed information on maintenance and repair of the specific types of electrical equipment can be found in the service manuals and bulletins issued by the equipment manufacturer. Information regarding equipment manufactured by the Delco-Remy Division of General Motors Corporation may be obtained from

their electrical equipment operation and service manuals. The manuals may be obtained from AC-Delco service outlets, or from the Technical Literature Section, Delco-Remy Division of General Motors Corporation, Anderson, Indiana.

In most instances, repairs and overhaul work on electrical equipment should be referred to an authorized repair station of the manufacturer of the equipment. Replacement parts for electrical equipment should be ordered through the equipment manufacturer's outlets, since these parts are not normally stocked by Detroit Diesel Allison. For electrical equipment manufactured by Delco-Remy Division, repair service and parts are available through AC-Delco branches and repair stations.

THE UNIVERSITY OF MICHIGAN LIBRARY

1955

1955
1956
1957
1958
1959

1960

1961
1962
1963

BATTERY-CHARGING ALTERNATOR

The battery-charging circuit consists of an alternator, regulator (Section 7.1.1), battery (Section 7.2) and the wiring. The battery-charging alternator (Figs. 1 or 2) is introduced into the electrical system to provide a

source of electrical current for maintaining the storage battery in a charged condition and to supply sufficient current to carry any other electrical load requirements up to the rated capacity of the alternator.

HINGE-MOUNTED ALTERNATOR (Belt-driven)

The hinge-mounted alternating current self-rectifying alternator (Fig. 1), mounted at the rear of the engine, is belt-driven. The alternator drive pulley is keyed to a shaft which is coupled to the blower drive gear.

An adequate alternator drive ratio is necessary for an engine equipped with extra electrical accessories and one that has to operate for extended periods at idle speeds. Diodes, built into the slip ring end frame, rectify the three phase A.C. voltage to provide D.C. voltage at the battery terminal of the alternator, thereby eliminating the need for an external rectifier. The alternator is also available in various sizes and types, depending upon the specific application.

The SI series alternators have replaced the DN series alternator. With the new alternators, the need for a separately mounted voltage regulator is eliminated.

The 32 volt, 50 ampere 25 SI alternator used in marine applications has been replaced by the 30 SI alternator rated at 60 amperes. When installing the 30 SI alternator, a wire running from the alternator to the

battery (insulated ground vs. negative ground) must be installed.

The access hole permitting the external adjustment of the voltage regulator has been eliminated on current alternators. To adjust the voltage setting on the current alternators, remove the rectifier end plate. The voltage regulator adjustment is located on the voltage regulator circuit board. Refer to the pertinent Delco Service Bulletin for complete adjustment procedure.

Alternator Maintenance

1. Maintain proper drive belt tension as noted in Section 15.1. Replace worn or frayed belts. Belts should be replaced as a set when there is more than one belt on the alternator drive.

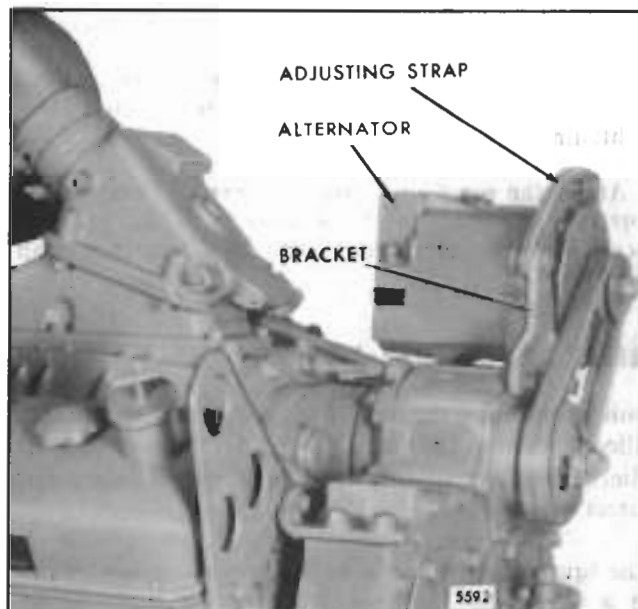


Fig. 1 - Typical Hinge-Mounted Alternator (Belt-Driven)

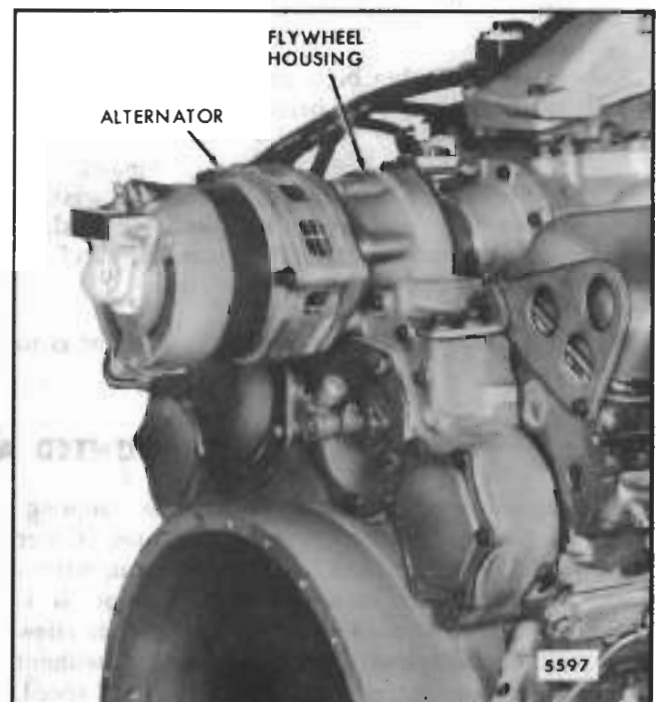


Fig. 2 - Typical Flange-Mounted Alternator (Beltless)

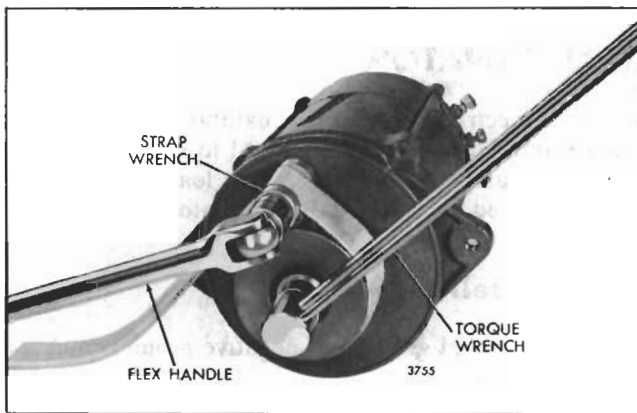


Fig. 3 - Tightening Alternator Pulley Retaining Nut

NOTE: When installing or adjusting an alternator drive belt, be sure the bolt at the alternator pivot point is properly tightened, as well as the bolt in the adjusting slot.

2. Alternator bearings are permanently lubricated. There are no external oiler fittings.

Remove Alternator

1. Disconnect the cables at the battery supply. If the alternator has a separately mounted regulator and field relay, disconnect all other leads from the alternator and tag each one to ensure correct re-installation.
2. Loosen the mounting bolts and the adjusting strap bolt. Then remove the drive belts.
3. While supporting the alternator, remove the adjusting strap bolt, hardened washer and lock washer. Then remove the mounting bolts, hardened washer, lock washer and nuts. Remove the alternator carefully and protect it from costly physical damage.
4. Remove the pulley assembly if the alternator is to be replaced.

FLANGE-MOUNTED ALTERNATOR (Beltless)

The flange-mounted alternator (Fig. 2) is coupling-driven through a drive hub attached to the blower drive gear. It is a self load limiting alternator with a fully adjustable solid state integral regulator. It is designed with slow speed characteristics which allow lower rotational speed of the alternator without sacrificing any amperage output at idle or top speed. The alternator shaft may be rotated in either direction

Alternator Service

Repairs and overhaul work on alternators should be referred to an authorized repair station of the manufacturer of this equipment. Replacement parts for alternators should be ordered through the equipment manufacturer's outlets. For alternators manufactured by Delco-Remy Division, repair service and parts are available through AC Delco branches and repair stations.

Install Alternator

1. Install the drive pulley, if it was removed. Tighten the pulley retaining nut to 50-60 lb-ft (68-81 Nm) torque.

NOTE: If the pulley was not removed, check the retaining nut for proper torque.

2. Position the alternator on the mounting brackets and start the bolts, with lock washers and hardened washers in place, through the bolt holes in the alternator end frames. If nuts are used, insert the bolts through the bolt holes in the mounting bracket and alternator end frame and make sure that the lock washers, hardened washers and nuts are in their proper locations.
3. Align the threaded hole in the adjusting lug of the drive end frame with the slot in the adjusting strap. Start the bolt, with the lock washer and hardened washer, through the slot of the adjusting strap and into the threaded hole in the alternator end frame.
4. Place the drive belts in the grooves of the pulleys.
5. Adjust the alternator belt tension as outlined in Section 15.1. Tighten all of the bolts after belt tightening is completed.
6. Attach the wires and cables. Be sure that each one is correctly installed in accordance with its previous location on the alternator. Keep all connections clean and tight.

without affecting the output or cooling of the unit. Six silicon diodes mounted in heat sinks convert alternating current from the delta wound stator into direct current.

The brushes and integral voltage regulator are located in a waterproof housing that may be removed for replacement or inspection.

Alternator Maintenance

1. Keep the mounting bolts securely tightened to prevent vibration damage, which will occur if the mounting bolts loosen.
2. Be sure the plug that seals the integral regulator adjusting hole is in place.

Remove Alternator

1. Disconnect the cables at the battery supply. Disconnect the leads from the alternator and tag each one to ensure correct re-installation.
2. Loosen the three alternator mounting bolts.
3. While supporting the alternator, remove the mounting bolts, hardened washers and lock washers and lift the alternator and fan guard as a unit from the mounting adaptor. Protect the alternator and fan guard assembly from physical damage following removal from the engine.

NOTE: The fan guard, which includes an oil seal, should not be separated from the alternator until the alternator half of the coupling is removed. Any attempt to separate the fan guard from the alternator could damage the oil seal.

4. Loosen the retaining nut and remove the coupling hub keyed to the alternator shaft.
5. If the alternator is to be replaced, separate the fan guard from the alternator.
6. Remove the alternator flange mounting adaptor from the flywheel housing, if necessary.

Alternator Service

To service the alternator, contact your nearest Detroit Diesel Allison distributor or Leece Neville dealer.

Inspection

Inspect the drive coupling and hub for wear at the seal surface and the drive tangs. If worn excessively, replace them with new parts.

Oil leaks indicate a worn or damaged oil seal. Replace the oil seal in the fan guard, if necessary.

Inspect the alternator housing and flange adaptor at the mounting bolt holes for cracks and the pilot diameters for damage, cracks or distortion. Replace if necessary.

Install Alternator

1. If removed, attach the alternator mounting adaptor, using a new gasket, to the flywheel housing. The adaptor is secured to the engine by two short bolts into the flywheel housing and four long bolts through the flywheel housing, end plate and blower drive support.

NOTE: Special hardened, plain washers seat in the six counterbored bolt holes in the adaptor. Also, the current gasket has a positioning identification tab.

2. If the fan guard and hub were removed, locate the fan guard on the alternator by engaging the mating pilot diameters. Lubricate the seal diameter on the coupling hub and the seal lip. Install the coupling hub on the shaft. Be careful not to damage the lip of the oil seal. Install the retaining nut on the shaft and tighten it to 70-80 lb-ft (95-108 Nm) torque.

IMPORTANT: If the fan guard and hub were not removed, check the retaining nut for proper torque.

NOTE: Do not support the alternator on the fan guard.

3. Place the slotted drive coupling on the drive hub.

NOTE: Align the slotted drive coupling with the blower drive coupling when attaching the alternator assembly.

4. Align the bolt holes in the fan guard with the mounting holes in the alternator housing. Support the alternator assembly against the mounting flange adaptor, using a new gasket, and install the three 3/8"-16 x 3 1/2" bolts, lock washers and hardened washers through the alternator housing and fan guard mounting holes into the mounting adaptor. Tighten the bolts to 30-35 lb-ft (41-47 Nm) torque.

5. Attach the wires and cables. Be sure each one is correctly installed in accordance with its previous location on the alternator. Keep all connections clean and tight.

ALTERNATOR PRECAUTIONS

Precautions must be taken when working on or around alternators. The diodes and transistors in the alternator circuit are very sensitive and can be easily destroyed.

Avoid grounding or shorting the output wires or the field wires between the alternator and the regulator. **Never run an alternator** on an open circuit.

Grounding an alternator's output wire or terminals, which are always "hot" regardless of whether or not the engine is running, or accidental reversing of the battery polarity will destroy the diodes. Grounding the field circuit will also result in the destruction of the diodes. Some voltage regulators provide protection against some of these circumstances. However, it is recommended that extreme caution be used.

Accidentally reversing the battery connections must be avoided.

Never disconnect the battery while an alternator is in operation. Disconnecting the battery may result in damage to the diodes due to the momentary high

voltage and current generated by the rapid collapse of the magnetic field surrounding the field windings.

In marine applications which have two sets of batteries, switching from one set of batteries to the other while the engine is running will momentarily disconnect the batteries and result in damage to the alternator diodes.

If a booster battery is to be used, the batteries **must be** connected correctly (negative to negative and positive to positive).

Never use a fast charger with the battery connected or as a booster for battery output.

Never attempt to polarize the alternator.

The alternator diodes are also sensitive to heat and care must be exercised to prevent damage to them from soldering irons, etc.

If faulty operation of an alternator occurs on an engine equipped with an insulated starting motor, check to be sure that a ground strap is present and is correctly installed.

BATTERY-CHARGING ALTERNATOR REGULATOR

The regulator used with the self-rectifying A.C. alternator in the battery-charging circuit is a transistor regulator which contains no moving parts and is used with a separately mounted field relay.

The transistor regulator is composed principally of transistors, diodes, capacitors and resistors to form a completely static electrical unit containing no moving parts.

The transistor is an electrical device which limits the alternator voltage to a pre-set value by controlling the alternator field current. The diodes, capacitors and resistors act together to aid the transistor in performing this function, which is the only function that the regulator performs in the charging circuit.

The voltage at which the alternator operates is determined by the regulator adjustment. Once adjusted, the alternator voltage remains almost constant, since the regulator is unaffected by length of service, changes in temperature or changes in alternator output and speed.

A separately mounted field relay connects the regulator "POS" terminal and the alternator field windings to the battery when the engine starting switch is closed.

The voltage regulator shown in Fig. 1 has a plug-in connection and requires a molded cable and plug assembly to connect the regulator into the battery-charging circuit. This type of regulator may be used in negative ground, positive ground and insulated charging circuits. The voltage setting may be adjusted

by removing a plug in the cover and turning a slotted adjusting button inside the regulator.

Operation

When a fuel oil pressure switch or a manual run switch is closed, the field relay winding is energized, which causes the relay contacts to close.

In the *negative ground circuit*, with the field relay contacts closed and the engine not running, alternator field current can be traced from the battery through the relay contacts to the regulator "POS" terminal. Current then continues through the back-bias diode (D-1) and power transistor (TR-1) to the regulator "FLD" terminal and then through the alternator field winding to ground, completing the circuit back to the battery.

When the alternator begins to operate, alternating current voltages are induced in the stator windings. These voltages are changed, or rectified, to a direct current voltage which appears at the output, or "BAT", terminal on the alternator. The alternator then supplies current to charge the battery and operate electrical accessories.

As alternator speed increases, the voltage reaches the pre-set value and the components in the regulator cause transistor TR-1 to alternately "turn off" and "turn on" the alternator field voltage. The regulator thus operates to limit the alternator output voltage to the pre-set value.

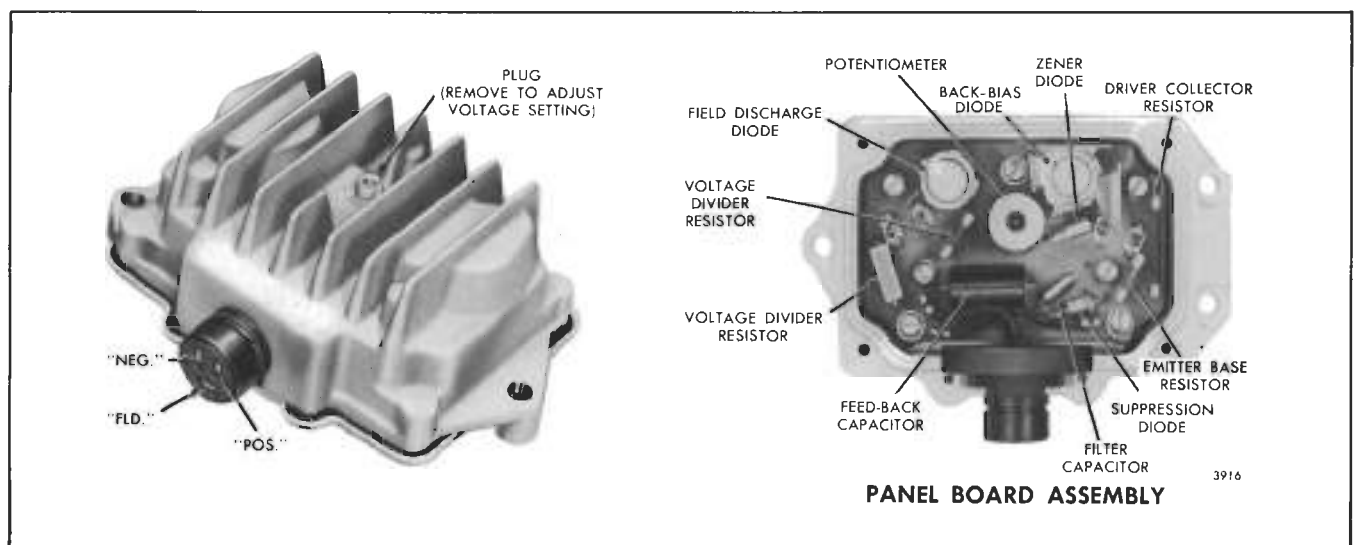


Fig. 1 - Transistor Regulator with Plug-In Connection

In the *positive ground circuit*, when the switch is closed and the engine is not running, the field current can be traced from the battery positive ground to the alternator ground and then to the regulator "POS" terminal. The current continues through diode D-1 and transistor TR-1 to the regulator "FLD" terminal, then through the field winding and field relay contacts back to the battery, thus completing the circuit. Except for this primary difference, this circuit operates in the same manner as that described for the negative ground circuit.

REGULATOR PRECAUTIONS

Never short or ground the regulator terminals; *do not attempt to polarize the circuit.*

Make sure all connections in the charging circuit are tight to minimize resistance.

Refer to *Alternator Precautions* in Section 7.1.

If it is necessary to mount the regulator on the engine, or on a panel attached to the engine, use shock mounts to protect it from vibration.



STORAGE BATTERY

The lead-acid storage battery is an electro-chemical device for converting chemical energy into electrical energy.

will not maintain its charged condition during storage and must be charged periodically to keep it ready for service.

Function of Battery

The battery has three major functions:

1. It provides a source of current for starting the engine.
2. It acts as a stabilizer to the voltage in the electrical system.
3. It can, for a limited time, furnish current when the electrical demands exceed the output of the alternator.

NOTE: In the selection of a replacement battery, it is always good practice to select one of an "electrical size" (refer to chart) at least equal to the battery originally engineered for the particular equipment by the manufacturer.

Install Battery

While the battery is built to satisfactorily withstand the conditions under which it will normally operate, excessive mechanical abuse leads to early failure.

Install the battery as follows:

Types of Batteries

There are two types of batteries in use today.

1. The *dry charge* battery contains fully charged positive plates and negative plates separated by separators. The battery contains no electrolyte until it is activated for service in the field and therefore leaves the factory dry. Consequently, it is called a *dry charge* battery.
2. If the battery has been manufactured as a *wet* battery, it will contain fully charged positive and negative plates plus an electrolyte. This type of battery

1. Be sure the battery carrier is clean and that the battery rests level when installed.

2. Tighten the hold-down clamps evenly until snug. However, do not draw them down too tight or the battery case will become distorted or will crack.

3. Attach the cable clamps after making sure the cables and terminal clamps are clean and in good condition. To make the cable connections as corrosion resistant as possible, place a felt washer at the base of each terminal beneath the cable clamps. Coat the entire connection with a heavy general-purpose

Engine	Starting Motor Voltage	Qty.	12 Volt Batteries for 12 or 24 Volt Systems			8 Volt Batteries for 24 or 32 Volt Systems (Marine)			Connect Batteries
			S.A.E. Cold Cranking AMP @ 0° F (-17.8° C) AMP Per Battery	Total S.A.E. Cold Cranking AMP @ 0° F (-17.8° C) AMP Per Bank	Reference S.A.E. 20 AMP Hour Rate Per Bank	S.A.E. Cold Cranking AMP @ 0° F (-17.8° C) AMP Per Battery	Total S.A.E. Cold Cranking AMP @ 0° F (-17.8° C) AMP Per Battery		
			6V-92	12V*	2	900	1800	410	
	24V	2	900	900	205	—	—	—	
	32V	—	—	—	—	4	750	750	
8V-92	24V ±	2	900	900	205	—	—	—	Series Series
	32V ±	—	—	—	—	4	750	750	
16V-92	24V##	2	600	600	150	—	—	—	Series Series
	32V##	—	—	—	—	4	750	750	

Note — Bank Refers to the Combined Connected Batteries
 * 12 Volt High Output Starter
 ± 5-9/16" Frame Starter Only
 ## Two 5-1/8" Frame Starters Per Engine

BATTERY RECOMMENDATIONS

grease. Be sure the ground cable is clean and tight at the engine block or frame.

4. Check the polarity to be sure the battery is not reversed with respect to the generating system.

5. Connect the *grounded* terminal of the battery last to avoid short circuits which will damage the battery.

Servicing the Battery

A battery is a perishable item which requires periodic servicing. Only when the battery is properly cared for as described below can long and trouble-free service be expected.

1. Check the level of the electrolyte regularly. Add water if necessary, but do not overfill. Overfilling can cause poor performance or early failure.

2. Keep the top of the battery clean. When necessary, wash with a baking soda solution and rinse with fresh water. Do not allow the soda solution to enter the cells.

3. Inspect the cables, clamps and hold-down bracket regularly. Clean and re-apply a coat of grease when needed. Replace corroded or damaged parts.

4. Use the standard battery test as the regular service test to check the condition of the battery.

5. Check the electrical system if the battery becomes discharged repeatedly.

Many electrical troubles caused by battery failures can be prevented by systematic battery service. In general, the care and maintenance recommendations for storage batteries are the same today as they have always been.

Battery Safety Precautions

When batteries are being charged, an explosive gas mixture forms beneath the cover of each cell. Part of this gas escapes through the holes in the vent plugs and may form an explosive atmosphere around the battery itself if ventilation is poor.

CAUTION: Explosive gas may remain in or around the battery for several hours after it has been charged. Sparks or flames can ignite this gas causing an internal explosion which could shatter the battery. Flying pieces of the battery structure and splash of electrolyte can cause personal injury.

STARTING MOTOR

The starting motor is mounted on the flywheel housing as illustrated in Fig. 1. When the starting circuit is closed, a small drive pinion on the armature shaft engages with the teeth on the engine flywheel ring gear to crank the engine. When the engine starts, the drive pinion must be quickly disengaged to prevent the armature from overspeeding and damaging the starting motor. To accomplish this, the starting motor is equipped with a heavy-duty overrunning clutch drive.

A solenoid switch, mounted on the starting motor housing, operates the overrunning clutch drive by linkage and a shift lever (Fig. 2). When the starting switch is engaged, the solenoid is energized and shifts the starting motor pinion into mesh with the flywheel ring gear and closes the main contacts within the solenoid. Once engaged, the clutch will not disengage during intermittent engine firing. To protect the armature from excessive speed when the engine starts, the clutch "overruns"; or turns faster than the armature, which permits the pinion to disengage itself from the flywheel ring gear.

The solenoid plunger and shift lever is totally enclosed to protect them from dirt, water and other foreign material.

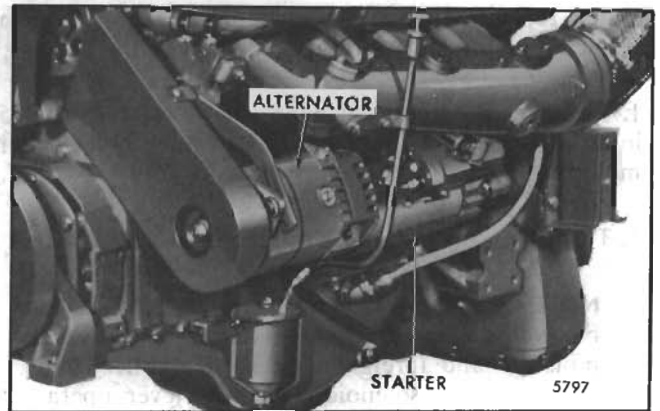


Fig. 1 - Typical Starting Motor Mounting

An oil seal, between the shaft and the lever housing, and a linkage seal (Fig. 2) prevents the entry of transmission oil into the main frame of the starting motor and solenoid case, allowing the motor to be used on wet clutch applications.

The nose housing can be rotated to obtain a number of different solenoid positions with respect to the mounting flange. The nose housing, on starters equipped with the heavy-duty clutch, is attached to the

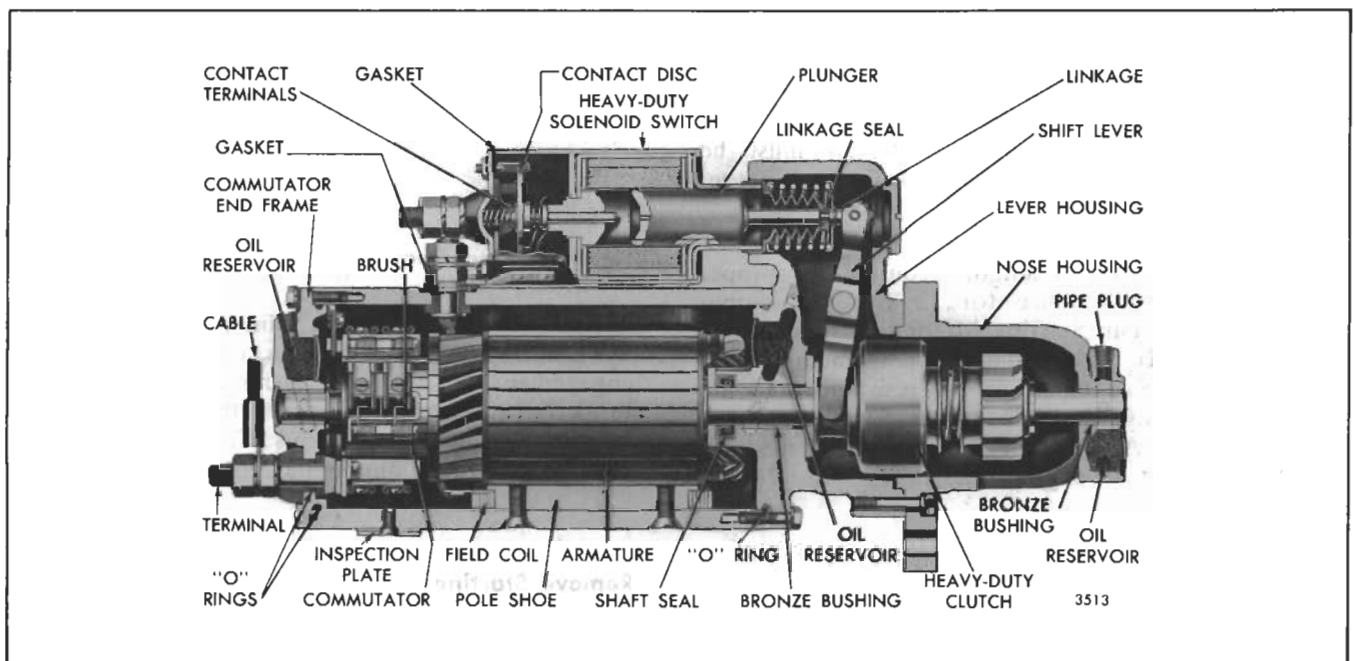


Fig. 2 - Cross-section of Starting Motor with Heavy-Duty Clutch Drive

lever housing by six bolts located around the outside of the housing (Fig. 2).

When repositioning of the solenoid is required on a service replacement starting motor, proceed as follows:

1. Remove the six socket head screws (1 short and 5 long) and six neoprene plugs, if a twelve hole starter mounting flange is used.
2. Turn the nose housing to the required position.

NOTE: The solenoid must never be located below the centerline of the starter or dust, oil, moisture and foreign material can collect and interfere with solenoid and shift lever operation, which may result in failure to engage and crank.

3. Install the six socket head screws, with the short screw in the shallow hole nearest the solenoid and six neoprene plugs, if a twelve hole starter mounting flange is used.
4. Tighten the screws to 13-17 lb-ft (18-23 Nm) torque.

High-Output Starting Motor

A high-output 12 volt starting motor, with an overrunning clutch type drive, is provided for some engine applications which require the equivalent of 24 volts for cranking the engine and 12 volts for lighting and operation of electrical accessories. The same total battery capacity recommended for use with a 24 volt starter (two 205 ampere-hour batteries) must be retained and connected in parallel for the high-output 12 volt starter.

Battery cable sizes and lengths required for proper cranking circuit resistance for 12 volt high-output starter are shown in Starting Motor to Battery Cable Size Chart 1. To assure starter engagement, starter switch leads should be of proper resistance and are shown in Starting Motor to Starter Switch or Relay Circuit Chart 2. A 12 volt high-output starter model is not available for all engine sizes that require 24 volt cranking.

Lubrication

Starting motors which are provided with lubrication fittings (hinge cap oilers, oil tubes sealed with pipe plugs, or grease cups) should be lubricated periodically (refer to Section 15.1).

12 VOLT HIGH-OUTPUT STARTING MOTOR TO BATTERY CABLE SIZE CHART

Cable Size B & S Gage	TOTAL LENGTH - FEET	
	Dual Wire Circuit* †	Single Wire Circuit* †
00	12	5.75
000	15	7.50
0000	19	9.60
300,000 C.M.	27	13.50
350,000 C.M.	32	16.00
500,000 C.M.	45	22.50
750,000 C.M.	68	34.00
1,000,000 C.M.	90	45.00

*Resistance of each Parallel Circuit (Dual Wire Circuit or Single Wire Circuit) should not exceed .00052 ohm.
†Resistance of each Wire Circuit in Dual Wire Circuit should not exceed .001 ohm.

CHART 1

STARTING MOTOR TO STARTER SWITCH OR STARTER RELAY CIRCUIT CHART

Wire Size	TOTAL LENGTH OF A + B - FEET*	
	12 Volt	24 & 32 Volt
12	8	16
10	11	22
8	17	34
6	27	54
4	42	84
2	64	132

*Resistance of Starter Switch Circuit should not exceed .0114 ohm total.

CHART 2

Flywheel Ring Gears

The starting motor drive pinion and the engine flywheel ring gear must be matched to provide positive engagement and to avoid clashing of the gear teeth. Properly chamfered ring gear teeth are recommended to minimize butt engagements. Chamfered ring gears must be used on automatic starting applications.

Remove Starting Motor

Failure of the starting motor to crank the engine at normal cranking speed may be due to a defective battery, worn battery cables, poor connections, excessive resistance in the cranking circuit, defective engine starting switch, low temperature, excessive

parasitic cranking load, condition of the engine or a defective starting motor.

If the cranking problem is isolated to the starter, remove the starting motor as follows:

1. Remove the ground strap or cable from the battery or the cable from the starting motor solenoid. Tape the end of the cable to prevent discharging the battery from a direct short.

2. Disconnect the starting motor cables and solenoid wiring.

NOTE: Tag each lead to ensure correct connections when the starting motor is reinstalled.

3. Support the motor and remove the three bolts and lock washers which secure it to the flywheel housing.

Then pull the motor forward to remove it from the flywheel housing.

Check the starting motor in accordance with the Delco-Remy "Cranking Circuit" maintenance handbook.

Install Starting Motor

To install the starting motor, reverse the procedure outlined for removal. Tighten the 5/8"-11 starter attaching bolts to 137-147 lb-ft (186-200 Nm) torque or to 85-95 lb-ft (115-129 Nm) torque when an aluminum flywheel housing is used.

Keep all of the electrical connections clean and tight. When installing wiring terminal leads to the starting motor and the solenoid switch, tighten the No. 10-32 connections to 16-30 **lb-in** (1.8-3.4 Nm) torque and the 1/2"-13 connections to 20-25 lb-ft (27-34 Nm) torque.

INSTRUMENTS AND TACHOMETER DRIVE

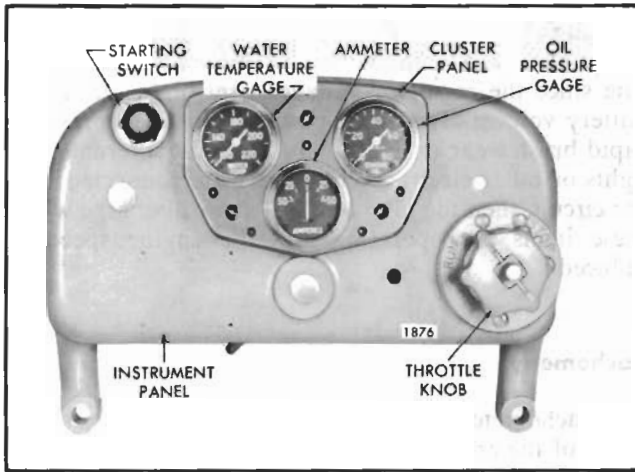


Fig. 1 - Typical Instrument Panel

The instruments generally required in the operation of a diesel engine consist of an oil pressure gage, water temperature gage, an ammeter and a mechanical tachometer. Also, closely related and usually installed in the general vicinity of these instruments are certain controls consisting of an engine starting switch, engine stop knob and an emergency stop knob (Fig. 1).

All Torqmatic converters are equipped with an oil pressure gage and, in some instances, with an oil temperature gage. These instruments are mounted on a separate panel.

Instruments, throttle control and engine starting and stopping controls are mounted in various locations depending upon the particular use of the engine.

Marine propulsion engines are provided with an

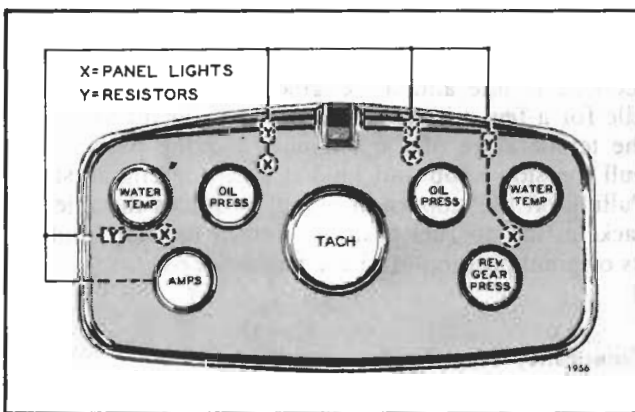


Fig. 2 - Installation of Resistors in Illuminated Instrument Panel

instrument panel which usually includes an engine oil pressure gage, reverse gear oil pressure gage, water temperature gage, ammeter and a tachometer. The instrument panels are generally mounted some distance from the engine. Illuminated instrument panels are provided for marine applications which require night operations.

All illuminated instrument panels are wired for a 12 volt lighting circuit. Therefore, when marine propulsion units incorporate either a 24 or 32 volt electrical system, a 12 volt tap-off from the battery may be made, or resistors (Table 1) may be installed in the circuit to protect the instrument panel bulbs. As indicated in Fig. 2, one resistor is used in the lead for each instrument panel bulb.

Whenever performing service or preventive maintenance procedures on marine propulsion engine units which include a 24 or 32 volt electrical system, check the lighting circuit of the instrument panels to determine if either a 12 volt tap-off from the battery or resistors have been installed in the lighting circuit to protect the instrument panel bulbs.

Anti-Vibration Instrument Mountings

Anti-vibration mountings are used in many places to absorb engine vibration in the mounting of instruments, drop relays, tachometers, etc. When it may become necessary to service a part secured by rubber mounts, care should be exercised, during removal and

Resistor Specifications		
Volts	Ohms	Watts
24	50	10
32	100	10

TABLE 1

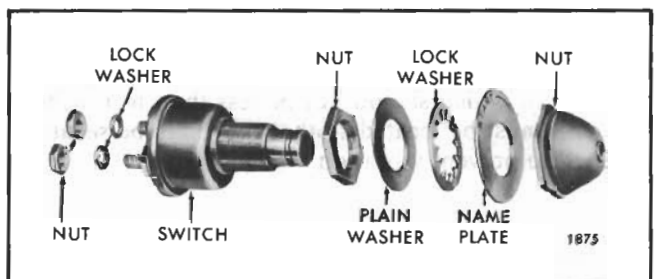


Fig. 3 - Typical Engine Starting Switch

installation of the part, so twist is not imposed into the rubber mount diaphragm. At the time the part is removed from the engine for service, the mounts should be inspected for damage and replaced, if necessary.

The attaching screw, through the center of the mount, must be held from turning during final tightening of the nut. Support the screw and tighten the nut only. If this screw turns, it will pre-load the rubber diaphragm in torsion and considerably shorten the life of the mount.

Oil Pressure Gage

The oil pressure gage registers the pressure of the lubricating oil in the engine. As soon as the engine is started, the oil pressure gage should start to register. If the oil pressure gage does not register at least the minimum pressure listed in the *Operating Conditions* in Section 13.2, the engine should be stopped and the cause of the low oil pressure determined and corrected before the engine is started again.

Current oil pressure gages have male threads and require female fittings. When replacing a former gage with female threads, a new mounting clamp and connector must be used.

Water Temperature Gage

The engine coolant temperature is registered on the water temperature gage.

Incorrect coolant temperature readings will be registered if the gage assembly is incorrectly installed or the capillary tube is damaged.

To prevent damage to the gage assembly from vibration, the capillary tube must be securely fastened to the engine the full length with suitable clips at intervals of ten inches or less. Sharp bends in the tube must be avoided, particularly at the gage or bulb connection areas. Where the tube must be bent around any object, the bend must not be less than one inch radius.

Any extra length can be taken up by coiling, the diameter of which should not be less than two inches. The coils must be located so that they may be securely fastened to prevent vibration.

Ammeter

The ammeter is wired into the electrical circuit to show the current flow to and from the battery. After starting

the engine, the ammeter should register a high charge rate at rated engine speed. This is the rate of charge received by the battery to replenish the current used to start the engine. As the engine continues to operate, the ammeter should show a decline in the charge rate to the battery. The ammeter will not show zero charge rate since the regulator voltage is set higher than the battery voltage. The small current registered prevents rapid brush wear in the battery-charging alternator. If lights or other electrical equipment are connected into the circuit, then the ammeter will show discharge when these items are operating and the engine speed is reduced.

Tachometer

The tachometer, driven by the engine, registers the speed of the engine in revolutions per minute (rpm).

Throttle Control

The engine throttle is connected to the governor speed control shaft through linkage. Movement of the speed control shaft changes the speed setting of the governor and thus the engine speed.

Engine Starting Switch

To start the engine, a switch (Fig. 3) is used to energize the starting motor. Starting switches may vary in design and their contacts must be rated sufficiently to carry the starter solenoid current.

NOTE: Tighten the starting switch mounting nut to 36-48 in-lb (4-5.5 Nm) torque.

Engine Stop Knob

A stop knob is used to shut the engine down. When stopping an engine, the engine speed should be reduced to idle and the engine allowed to operate at idle for a few minutes to permit the coolant to reduce the temperature of the engine's moving parts. Then pull the stop knob and hold it until the engine stops. Pulling on the stop knob manually places the injector racks in the no-fuel position. Return the stop knob to its original position after the engine stops.

Emergency Stop Knob

In an emergency, or if the engine continues to operate after pulling the stop knob, the emergency stop knob may be used to stop the engine. When the emergency stop knob is pulled, the air shut-off valve, located

between the air intake and the blower, will trip and shut off the air supply to the engine. Lack of air to the engine will prevent further combustion of the fuel and stop the engine.

TACHOMETER DRIVE

A tachometer drive shaft may be installed at any one of several locations on the engine.

At the front end of the engine, the tachometer drive shaft is pressed into the end of the right bank camshaft and extends through an adaptor attached to the balance weight cover (Fig. 4).

At the rear of the engine, the tachometer drive shaft may be installed in the end of either camshaft, the blower drive shaft, or the L.H. helix blower rotor shaft (Fig. 5). A tachometer drive shaft adaptor is attached to the flywheel housing cover or the blower rear end plate cover.

When required, a tachometer drive cable adaptor is used to change speed or to change direction of rotation, depending upon the location of the tachometer drive. A special key is used to connect the drive shaft to the tachometer drive cable adaptor.

The cable connection at the current tachometer head is a 5/8" threaded connection in place of the former



Fig. 4 - Front Mounted Tachometer Drive

The emergency stop knob must be pushed back in after the engine is stopped and the air shut-off valve must be re-set manually. The cause of the malfunction should be determined before the engine is started again.

7/8" connection. To eliminate possible misalignment, the current tachometer angle drive has a short flexible cable and incorporates an integral oil seal. The output shaft key size has been increased from 5/32" to SAE 3/16". New flexible drive cables are also required with the current tachometers and angle drives.

Remove Tachometer Drive (Camshaft or Blower Drive Shaft Driven)

If replacement is necessary, remove the tachometer drive shaft as follows:

1. Disconnect the tachometer drive cable from the tachometer drive cable adaptor.
2. If used, remove the tachometer drive cable adaptor and key (key and seal assembly if the tachometer drive shaft is driven by the blower drive shaft).
3. Remove the tachometer drive shaft adaptor and gasket from the balance weight cover if the tachometer drive is located at the front of the engine. For a rear mounted tachometer drive, remove the flywheel housing cover and adaptor assembly and gasket. Examine the oil seal(s), if used, for wear or damage. Replace the oil seal (camshaft drive) or oil seal unit (blower drive shaft drive), if necessary.

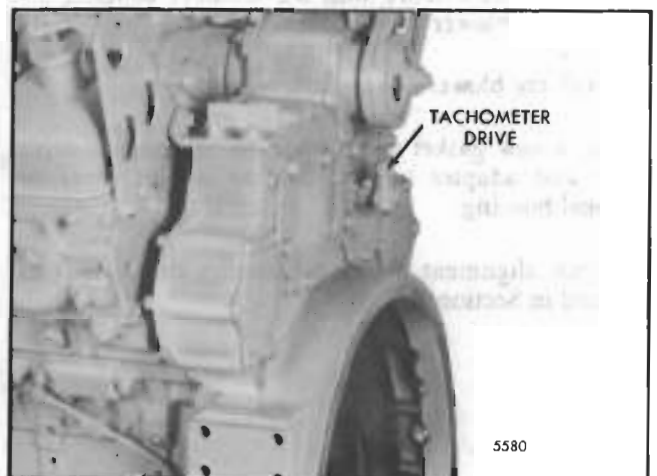


Fig. 5 - Rear Mounted Tachometer Drive

4. If the tachometer drive shaft is driven by the blower drive shaft, remove the blower drive shaft.

5. Remove a tachometer drive shaft that is pressed into the camshaft as follows:

- a. If the tachometer drive shaft is pressed into the end of the camshaft, it cannot be turned since the end is either square or knurled. If threads (5/16"-24 or 3/8"-24) are provided on the outer end of the tachometer drive shaft to accommodate a removing tool, thread remover J 5901-3 on the shaft. Then attach slide hammer J 5901-1 to the remover. A few sharp blows of the weight against the slide hammer rod will remove the tachometer drive shaft.
- b. If threads are not provided on the outer end of the tachometer drive shaft, or if the end of the shaft is broken off, drill and tap the shaft. Then thread a stud into the shaft and remove the shaft with the remover and slide hammer.

CAUTION: Use adequate protective measures to prevent metal particles from falling into the gear train and oil pan.

Install Tachometer Drive (Camshaft or Blower Drive Shaft Driven)

When installing a tachometer drive cover assembly or a drive adaptor, it is important they be aligned properly with the tachometer drive shaft (Section 7.0).

1. Start the tachometer drive shaft in the end of the camshaft or blower drive shaft. Then, using a suitable sleeve, tap or press against the shoulder on the tachometer drive shaft until the shoulder contacts the camshaft or blower drive shaft.
2. Install the blower drive shaft.
3. Use a new gasket and install the tachometer drive cover and adaptor on the balance weight cover or flywheel housing.
4. Check alignment of the tachometer drive shaft as outlined in Section 7.0.

5. Install the oil seal and key assembly (blower drive shaft driven tachometer drive).

6. If used, install the tachometer drive cable adaptor and key. Lubricate the tachometer drive cable adaptor with grease through the fitting provided.

7. Attach the tachometer drive cable.

Remove Tachometer Drive (Driven by Blower Rotor Shaft)

If replacement is necessary, remove the tachometer drive shaft as follows:

1. Disconnect the tachometer drive cable from the tachometer drive cable adaptor.
2. Remove the tachometer drive cable adaptor and key.
3. Remove the blower from the engine as outlined in Section 3.4.
4. Remove the blower rear end plate cover.
5. Remove the tachometer drive shaft, which also functions as the L.H. blower rotor gear retaining bolt, with a 3/4" wrench.

Install Tachometer Drive (Driven by Blower Rotor Shaft)

1. Lubricate the threads with engine oil and install the combination blower rotor retaining bolt and tachometer drive shaft. Tighten it to 55-65 lb-ft (75-88 Nm) torque.
2. Install the blower rear end plate cover.
3. Align the blower rear end plate cover with the tachometer drive shaft. Check the alignment of the drive shaft as outlined in Section 7.0.
4. Install the blower on the engine as outlined in Section 3.4.
5. Install the tachometer drive cable adaptor and key.
6. Attach the tachometer drive cable.

ENGINE PROTECTIVE SYSTEM

MANUAL SHUT-DOWN SYSTEM

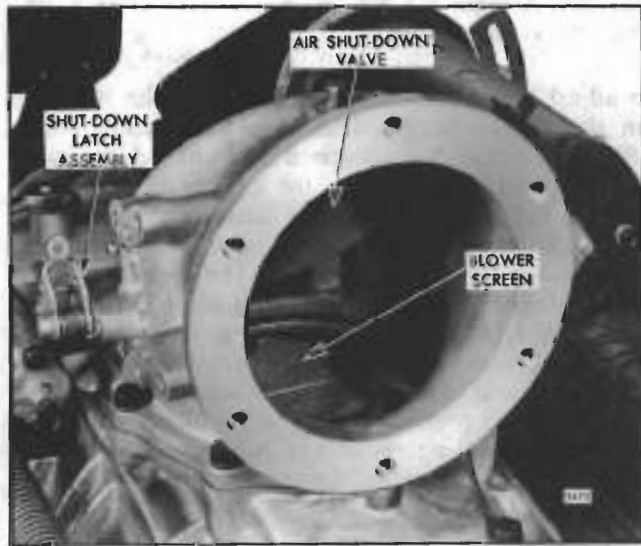


Fig. 1 - Typical Manually Operated Emergency Engine Shut-Down Valve Mounting

A manually-operated emergency engine shut-down device, mounted in the air shut-down housing, enables the engine operator to stop the engine in the event an

abnormal condition should arise. If the engine continues to run after the engine throttle is placed in the no-fuel position, or if combustible liquids or gases are accidentally introduced into the combustion chamber causing overspeeding of the engine, the shut-down device will prevent damage to the engine by cutting off the air supply and thus stopping the engine. The device consists of a shut-down valve mounted in the air shut-down housing and a suitable operating mechanism (Fig. 1).

The air shut-down valve is retained in the open position by a latch. A Bowden wire or cable assembly is used to trip the latch. Pulling the emergency shut-down knob all the way out will stop the engine. After the engine stops, the operator must push the emergency shut-down knob all the way in and manually reset the air shut-down valve before the engine is started again.

When service of the shut-down system is required, refer to Section 3.3.

AUTOMATIC MECHANICAL SHUT-DOWN SYSTEM

The automatic mechanical shut-down system (Fig. 2) is designed to stop the engine if there is a loss of oil pressure, loss of engine coolant, overheating of the engine coolant or overspeeding of the engine. Engine oil pressure is utilized to activate the components of the system.

A coolant temperature-sensing valve and an adaptor and copper plug assembly are mounted on the exhaust manifold outlet. The power element of the temperature-sensing valve is placed against one end of the copper plug, and the other end of the plug extends into the exhaust manifold. Engine coolant is directed through the adaptor and passes over the power element of the valve. Engine oil, under pressure, is directed through a restricted fitting to the temperature-sensing valve and to an oil pressure actuated bellows located on the air inlet housing.

The pressure of the oil entering the bellows overcomes the tension of the bellows spring and permits the latch to retain the air shut-down valve in the open position. If the oil pressure drops below a pre-determined value, the spring in the bellows will release the latch and

permit the air shut-down valve to close and thus stop the engine.

The overspeed governor (Fig. 3), used on certain applications, consists of a valve actuated by a set of spring-loaded weights. Engine oil is supplied to the valve through a connection in the oil line between the bellows and the temperature-sensing valve. An outlet in the governor valve is connected to the engine oil sump. Whenever the engine speed exceeds the overspeed governor setting, the valve (actuated by the governor weights) is moved from its seat and permits the oil to flow to the engine sump. This decreases the oil pressure to the bellows, thus actuating the shut-down mechanism and stopping the engine.

Operation

To start an engine equipped with a mechanical shut-down system, first manually open the air shut-down valve and then press the engine starting switch. As soon as the engine starts, the starting switch may be released, but the air shut-down valve must be held in

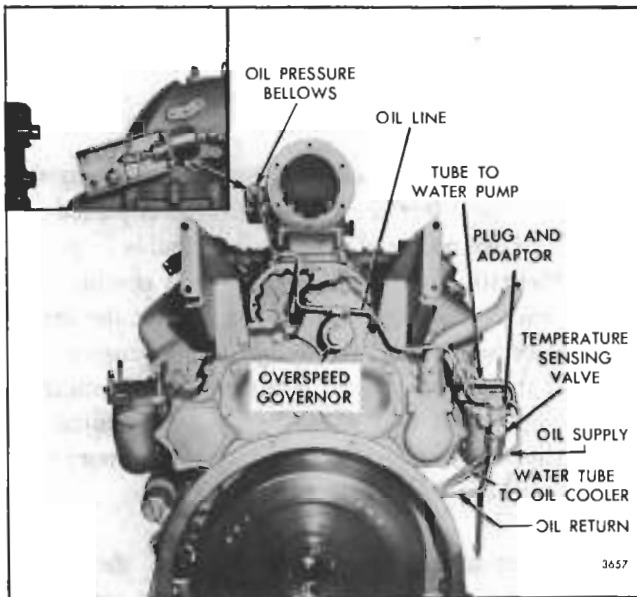


Fig. 2 - Typical Automatic Mechanical Shut-Down System Mounting

the open position until the engine oil pressure increases sufficiently to permit the bellows to retain the latch in the open position.

During operation, if the engine oil pressure drops below the setting of the pressure sensitive bellows, the spring within the bellows will release the latch and permit the air shut-down valve to close, thus stopping the engine.

If the engine coolant overheats, the temperature-sensing valve will open and permit the oil in the protective system to flow to the engine crankcase.

The resulting decrease in oil pressure will actuate the shut-down mechanism and stop the engine. Also, if the engine loses its coolant, the copper plug will be heated by the hot exhaust gases passing over it and cause the temperature-sensing valve to open and actuate the shut-down mechanism.

Whenever the engine speed exceeds the overspeed governor setting, the oil in the line flows to the sump, resulting in a decrease in oil pressure. The oil pressure bellows then releases the latch and permits the air shut-down valve to close.

When an engine is stopped by the action of the shut-down system, the engine cannot be started again until the particular device which actuated the shut-down mechanism has returned to its normal position. The abnormal condition which caused the engine to stop must be corrected before attempting to start it again.

Adjustment

The only adjustments necessary in the mechanical shut-down system are the low oil pressure setting of the bellows and the overspeed setting of the overspeed governor. Replace the temperature-sensing valve when operation is unsatisfactory.

To adjust the low oil pressure setting of the bellows, run the engine until normal operating temperature (160°-185°F.) has been reached and the oil pressure has stabilized. Then reduce the engine speed slowly until the bellows disengages the latch on the air shut-down valve and stops the engine. Note the oil pressure at which the shut-down occurred. The oil pressure at disengagement should be 5-10 psi at 450-600 rpm; 10-15 psi at 601-1400 rpm; or 15-20 psi at 1401 and above rpm. If adjustment is necessary, loosen the lock nut on the bellows and turn the adjusting screw clockwise to increase the oil pressure setting or counterclockwise to decrease the setting. Hold the adjusting screw and tighten the lock nut when the proper setting has been obtained.

NOTE: Set the bellows disengagement pressure as near as possible to the high end of the pressure range for the low engine speed specified for the engine.

Check the operation of the engine coolant temperature-sensing valve by placing a cover over the radiator while the engine is operating at part load and note the coolant outlet temperature at which the bellows disengages the air shut-down latch. The air shut-down valve should close and stop the engine within a temperature range of 200°-210°F. If the engine is not shut-down in this range, replace the temperature-sensing valve. If the engine is shut-down below 200°F., check the coolant flow through the plug and adaptor assembly and, if circulation is satisfactory, replace the temperature-sensing valve.

NOTE: If the temperature sensing valve is removed, examine the temperature shut down valve plunger in the copper probe (Fig. 3). If it is not free in the probe and adaptor, install a new plunger, spring and adaptor. Deposits from the engine coolant building up between the plunger, spring and plug can cause the plunger to stick in the probe.

The temperature-sensing valve can be bench tested by attaching an air hose (40 psi air supply) to the oil inlet side and installing a tube from the outlet side to a can of water. Then immerse the power element of the valve in a container of water that is heated and agitated. Check the temperature of the water with a thermometer. Apply air to the valve. The valve should

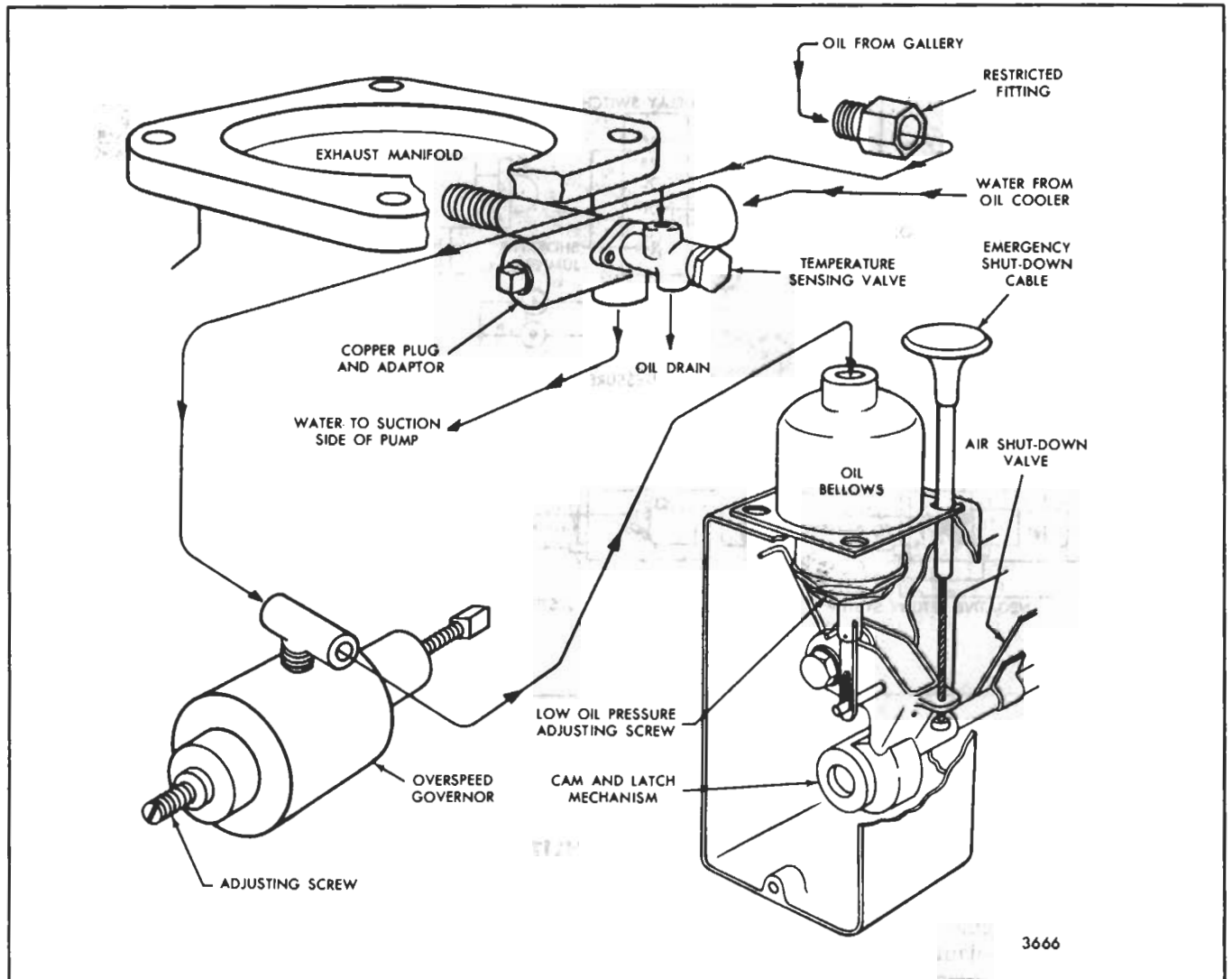


Fig. 3 - Schematic Drawing of Automatic Mechanical Shut-Down System with Overspeed Governor

be open, as indicated by the flow of air, at a water temperature of 195°-206°F.

To adjust the overspeed governor, run the engine until normal operating temperature is reached. Then increase the engine speed to the desired overspeed shut-down speed. At this speed, the bellows should disengage the air shut-down latch and stop the engine.

If necessary, adjust the overspeed governor setting by loosening the lock nut on the adjusting screw at the rear of the governor and turn the screw clockwise to increase the shut-down speed or counterclockwise to decrease the shut-down speed. Then tighten the lock nut, while holding the adjusting screw, when the proper setting is obtained.

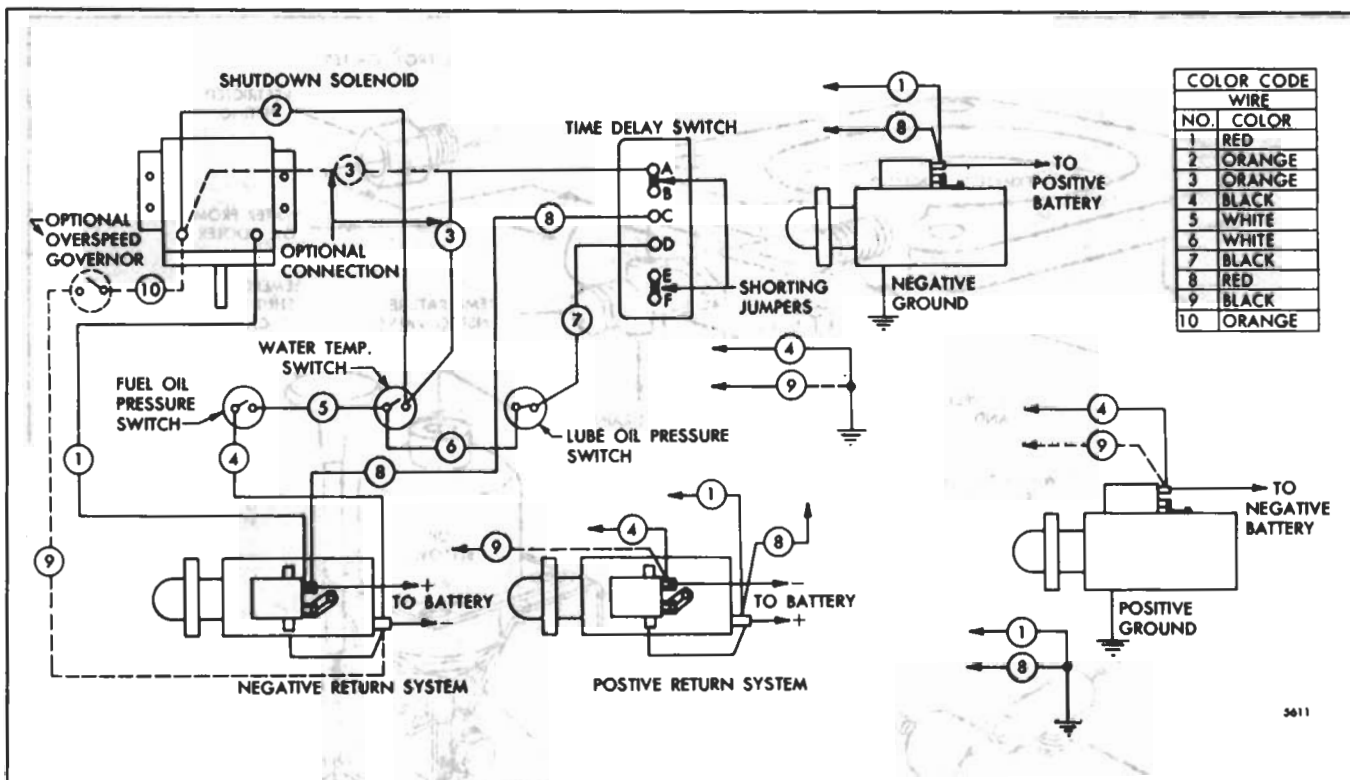


Fig. 4 - Automatic Electrical Shut-Down System Diagram

AUTOMATIC ELECTRICAL SHUT-DOWN SYSTEM

The automatic electrical shut-down system shown in Fig. 4 protects the engine against a loss of coolant, overheating of the coolant, loss of oil pressure or overspeeding. In the event one of the foregoing conditions arises, a switch will close the electrical circuit and energize the solenoid switch, causing the shut-down solenoid to release the air shutdown latch and stop the engine.

Operation

The electrical circuit is de-energized under normal operating conditions. When the engine is started, one oil pressure switch opens when the oil pressure reaches approximately 10 psi and the fuel oil pressure switch closes at approximately 20 psi fuel pressure.

If the oil pressure drops below 10 psi, the oil pressure switch will close the circuit and energize the shut-down solenoid. This will activate the shutdown mechanism and stop the engine.

A loss of coolant or an increase in coolant temperature in the cylinder block to approximately 203 F. will close the contacts in the water temperature switch, thus

closing the electrical circuit and activating the shut-down mechanism.

The water temperature switch consists of a temperature-sensing element and a micro-switch. The element contacts a copper plug (heat probe) which extends into the exhaust manifold outlet. Engine coolant is directed over the temperature-sensing element of the switch and should the coolant temperature in the cylinder block exceed approximately 203 F., the element will close the contacts in the micro-switch and energize the shutdown circuit. If a loss of coolant occurs, the heat of the exhaust gases will be transmitted through the copper plug to the temperature-sensing element and cause the shut-down circuit to be activated.

In the event of an automatic shutdown, the cause of the abnormal conditions must then be determined and corrected before the engine is started again. Also, the air shut-down valve must be manually reset in the open position before the engine can be started.

When the engine is shut-down, the decrease in oil and fuel pressures will close the oil pressure switches and open the fuel pressure switch, thus de-energizing the circuit.

Some engines are equipped with an electrically operated automatic shut-down system which incorporates a time delay switch (Fig. 4).

Since the fuel pressure builds up rapidly, the fuel oil pressure switch could close before the lubricating oil pressure switch opens, thereby effecting a shut-down of the engine. The time delay switch, however, delays operation of the solenoid for 3 to 10 seconds to enable the lubricating oil pressure to build up and open the oil pressure switch contacts.

When the lubricating oil pressure falls below 10 ± 2 psi, the contacts in the oil pressure switch used in this system will close and current will flow to the time delay switch. The few seconds required to heat the time delay switch provides sufficient delay to avoid an engine shut-down when low oil pressure is caused by a temporary condition such as an air bubble or a temporary overlap in the operation of the oil pressure switch and the fuel oil pressure switch when starting or stopping the engine.

...
...
...
...
...

...
...
...

...
...
...
...

...
...
...
...
...

ALARM SYSTEM

The alarm system shown in Fig. 1 is similar to the automatic electrical shut-down system, but uses a warning bell in place of the air shut-down valve solenoid. The bell warns the engine operator if the engine coolant overheats or the oil pressure drops below the oil pressure switch setting.

When the engine is started and the oil pressure is sufficient to open the oil pressure switch contacts (opening pressure is stamped on the switch cover), the alarm switch must be turned on manually to put the system in operation. The water temperature switch is normally open. Should the engine coolant exceed $205 \pm 5 \text{ F.}$, the water temperature switch will close the electrical circuit and sound the alarm bell. Likewise, if the oil pressure drops below the setting of the oil pressure switch, the switch will close and cause the bell to ring. The bell will continue to ring until the engine operator turns the alarm switch off. The alarm switch must also be turned off before a routine stop since the decreasing oil pressure will close the oil pressure switch and cause the bell to ring.

If the alarm bell rings during engine operation, stop the engine immediately and determine the cause of

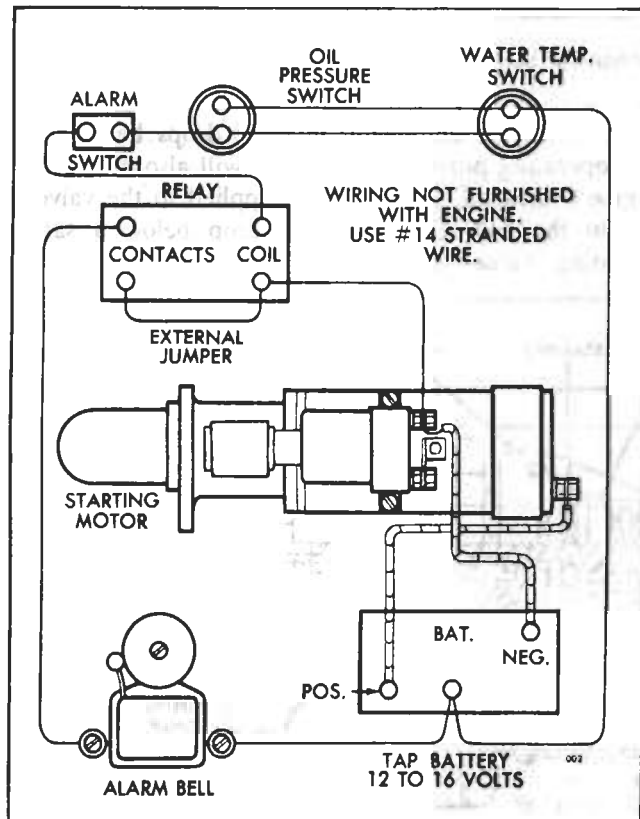


Fig. 1 - Alarm System Wiring Diagram

the abnormal condition. Make the necessary corrections before starting the engine again.

An alarm bell may be connected to the electrical shut-down system as shown in Fig. 2. In this system, if an abnormal condition occurs, the engine will be stopped automatically and the alarm bell will ring to notify the operator. The bell will continue to ring until the operator pushes the reset button on the drop relay.

The alarm system illustrated in Fig. 3 utilizes the temperature-sensing switch and the low oil pressure valve.

When the engine is started, the oil pressure switch will open when the oil pressure reaches 5 psi, and the fuel oil pressure switch will close when the fuel pressure reaches 20 psi. If overheating or loss of engine coolant occurs, the temperature-sensing switch will close and complete the electrical circuit to the alarm bell. A loss of engine oil pressure will cause the oil pressure valve to open and activate the alarm system. Once the alarm system is activated, the bell will continue to ring until the engine operator stops the engine.

During a routine engine shut-down, the decreasing fuel pressure causes the fuel pressure switch to open the electrical circuit before the decreasing oil pressure can activate the alarm system.

Coolant protection is also obtained through an exhaust probe and adaptor assembly and a temperature switch. In this system, the engine coolant is circulated around the switch power element to prevent the switch from being activated by the heat transfer from the exhaust probe. Therefore, an alarm will occur if coolant flow through the adaptor is interrupted for any reason. The

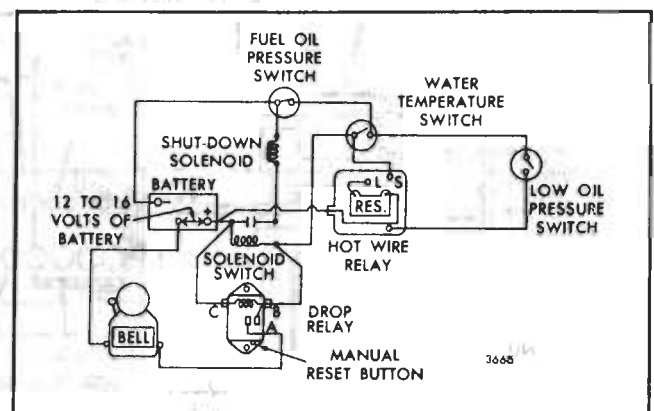


Fig. 2 - Alarm Bell Connected to Electrical Shut-Down System

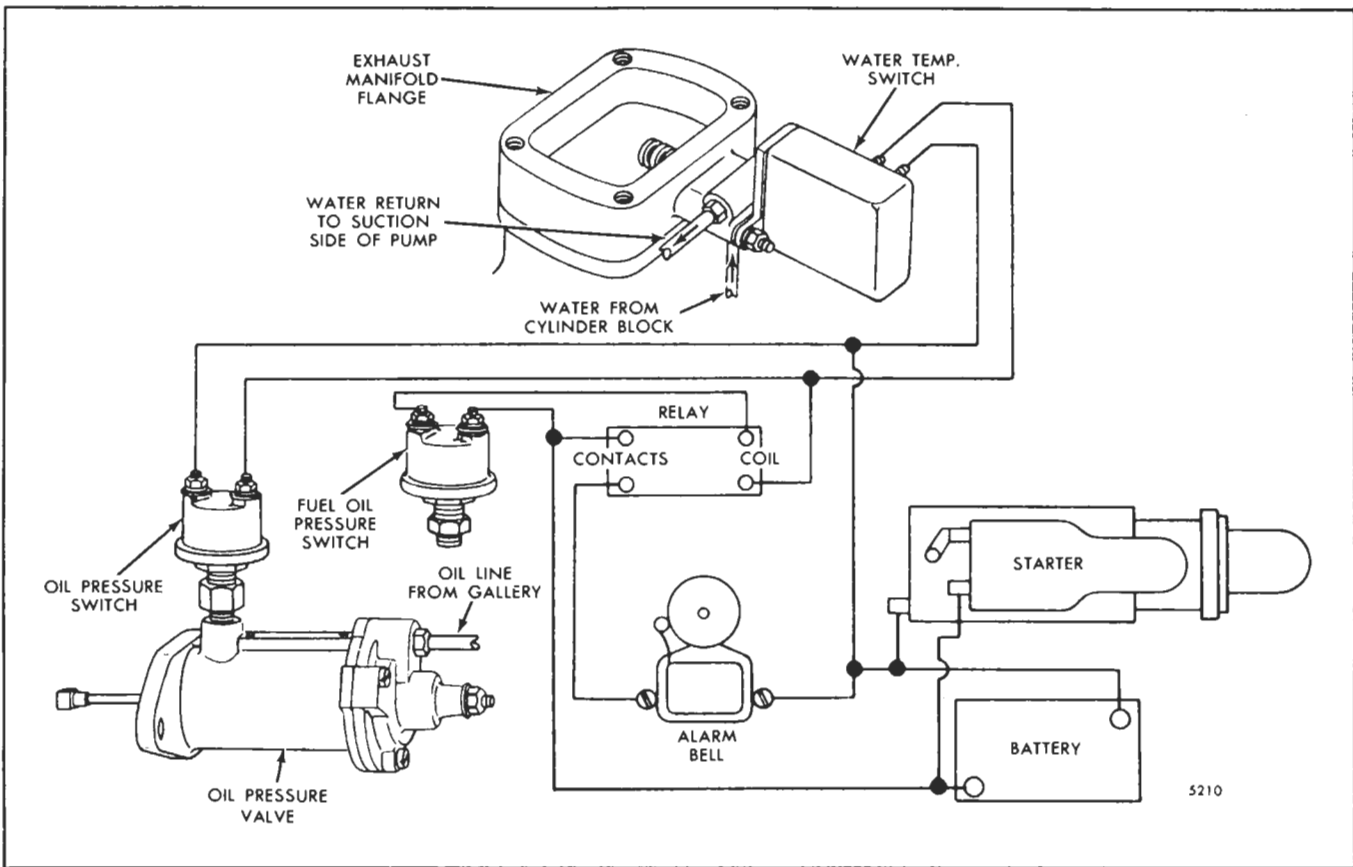


Fig. 3 - Alarm System With Mechanical Sensing Units

switch will also operate when the engine coolant discharge temperature exceeds 200-205 F.

The oil pressure switch, mounted in the low oil pressure valve (Fig. 4), will be activated to sound the

alarm when the engine oil pressure drops below the safe operating pressure. The switch will also detect an engine overspeed. Engine oil is supplied to the valve. Should the engine oil pressure drop below a safe operating value, above 1200 rpm, the valve will

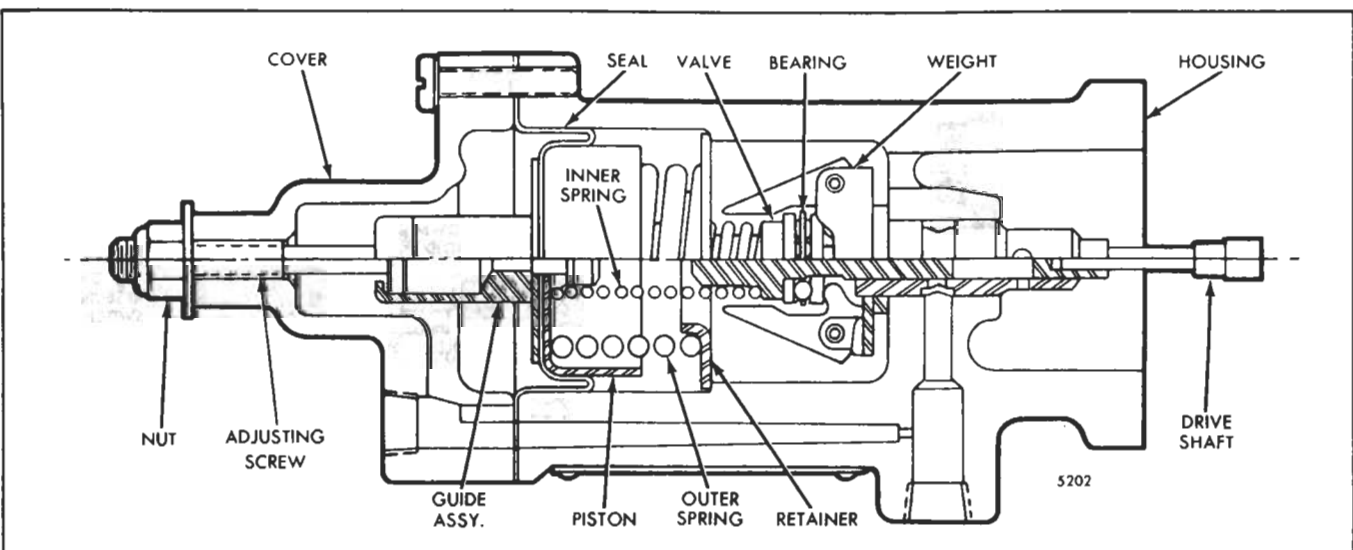


Fig. 4 - Typical Low Oil Pressure Valve

operate, dropping the oil pressure at the switch which completes the circuit and sounds the alarm. Below 1200-rpm the oil pressure switch will close whenever the oil pressure is less than the oil pressure switch setting.

A relay is used to prevent damage to the pressure and

temperature switches should the current to operate the alarm device be too high.

Should the alarm be activated for any reason, the engine should be stopped immediately and the cause found and corrected before the engine is started again.

10

1987-1988

1987-1988

1987-1988

OVERSPEED GOVERNOR

The series GW-2 Synchro-Start overspeed governor contains two separate snap action switches with single-pole double-throw contacts which operate at two different speeds. The governor is adjusted by the manufacturer to trip at the speeds required as indicated on the name plate. Unless otherwise specified, the name plate indicates trip points on increasing speed. The contacts will return to normal when the speed is decreased approximately 100 rpm below the trip speed, except on the high speed switch of those models having a manual reset button. The letter "M" after any model number indicates the high speed switch must be reset manually.

Service

1. The snap action switches may be replaced as follows:

- Mark the position of the dust cover and remove both hold-down screws.
- Observe the position of the switches. Usually they are positioned with 1/64" clearance between the switch button and the lifters. If the lifters are replaced, make certain that the long lifter is placed beneath the low speed switch and the short lifter is placed beneath the high speed switch.
- Install the new switches by reversing the above procedure.

CAUTION: When replacing the dust cover on a governor with a manual reset, make certain the switch wiring does not interfere with the reset mechanism.

d. Adjust the speed as outlined under *Speed Adjustment*.

2. Remove the governor cap as follows:

- Observe the marking on the cap and the body and remove the three holding screws.
- Remove the cap assembly, being careful not to damage the seal ring.
- Replace any internal parts as required and reassemble and return the cap to the original position. A light coat of grease will facilitate assembly of the seal ring to the body.

NOTE: The position of the cap is very critical on governors in which the difference in trip points between the two switches is more than 1000

rpm and the trip point of the high speed switch is above 2100 rpm. These governors use elongated loop flyweight springs. If, after assembly, the No. 1 switch trips at a far higher point than normal, lower the cap position slightly. If the No. 2 switch trips at a very low speed, raise the cap position slightly. If difficulty arises, refer to step 5 below.

d. Adjust the speed as outlined under *Speed Adjustment*.

3. Replace the speed adjusting springs as follows:

- Hold the speed adjusting stud with a 5/16" open end wrench and loosen the adjusting stud nut with a 3/8" open end wrench.
- After the above nut is removed, the adjusting spring and related parts may be removed and replaced as necessary. Exercise care to prevent particles of dirt from accumulating on the parts.

4. Replace the flexible drive shaft as follows:

- Insert a sharp pointed instrument in the loop of the spring clip and pull it from the shaft as far as possible and remove the shaft assembly.
- Upon reassembly, first install the spring clip in the groove of the fitting on the end of the governor shaft.

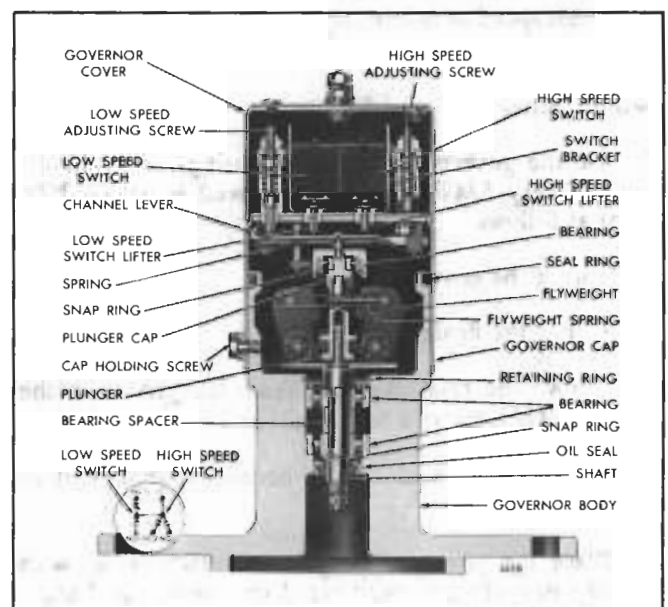


Fig. 1 - Cross-Section of Overspeed Governor

- c. Push the shaft assembly into the square end of the governor shaft and the spring clip will snap in place.

NOTE: Check the position of the spring clip. If the clip has sprung out of position, use a small screw driver and push it into place.

5. Adjust the governor cap (with the dust cover in place):

- a. Turn the low speed adjusting screw out for minimum speed adjustment. In this position, the top of the adjusting screw is approximately 1/8" from the top of the dust cover.
- b. Turn the high speed adjusting screw in for almost maximum speed adjustment. In this position, the top of the adjusting screw is approximately 5/16" from the top of the dust cover.
- c. With partial tension on the cap holding screws, turn the governor cap to the maximum extended position.
- d. Operate the governor at 200 rpm above the trip point of the low speed switch.
- e. Rotate the cap slowly in a clockwise direction until the low speed switch trips, mark the cap position and stop the governor. Then turn the cap another 1/16" and lock the holding screws securely.
- f. Complete the operation as outlined under *Speed Adjustment*. Generally, the trip point of the low speed switch will have to be increased and the high speed switch decreased.

Maintenance

Grease the governor shaft ball bearings every 10,000 hours (every 5,000 hours if the speed is above 2500 rpm) as follows:

1. Remove the governor cap.
2. Remove the flexible drive shaft.
3. Remove the retaining ring from the groove in the housing. Then remove the weight and shaft assembly.
4. Inspect the oil seal and, if necessary, replace it as follows:
 - a. Place the governor body in an arbor press, with the mounting flange toward the bottom, and use a 9/16" diameter rod to press the oil seal out.

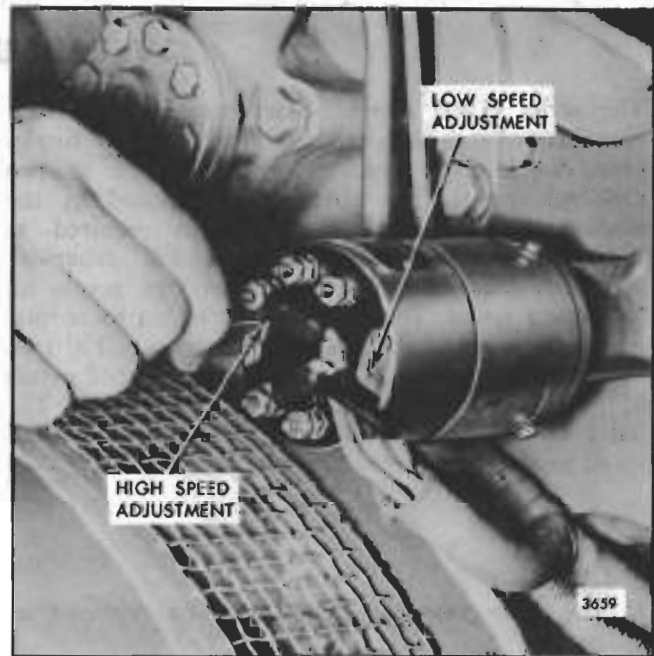


Fig. 2 - Adjusting Trip Speed of Overspeed Governor

- b. Press a new oil seal in place 3/64" from the bottom of the bearing cavity.
5. Fill the grease reservoir between the bearings ONLY 3/4 FULL with Texaco "Unitemp" grease or equivalent.
 6. Reassemble the governor by reversing the procedure for disassembly and adjust the trip speeds as outlined below.

Speed Adjustment

Both switches may be individually adjusted. The dust cover screw marked "1" covers the low speed adjuster; the screw marked "2" covers the high speed adjuster. Proceed as follows:

1. Remove the appropriate dust cover screw. Then insert a 1/16" Allen wrench into the adjusting screw.
2. Turn the screw clockwise to increase the trip speed, or counterclockwise to decrease the speed (Fig. 2).

CAUTION: If the adjusting screws are turned in too far, the switch will no longer operate. Do not attempt to use the slots in the cap for normal speed adjustments. This position is set and marked by the manufacturer for operation in the speed range required.

HYDRAULIC OVERSPEED GOVERNOR

Excessive engine speed is prevented by the hydraulic governor which contains a set of spring loaded weights.

The overspeed governor is mounted in an adaptor which is mounted on the rear of the flywheel housing. A seal ring in the adaptor end of the governor housing prevents oil seepage from the flywheel housing. The governor is driven by a flexible drive assembly from the blower drive shaft. Oil under pressure is supplied to the governor by a tube which is connected to the oil gallery in the cylinder block.

Operation

When the engine speed reaches the value for which the overspeed governor is set, the centrifugal force of the weights in the overspeed governor overcomes the spring tension and opens a pilot valve in the governor.

The pilot valve dumps oil from the oil tube, lowering the pressure at the engine oil pressure switch, thus closing the switch and energizing the shut-down solenoid and closing the shut-down valve.

Lubrication

The overspeed governor is lubricated by oil from the engine crankcase.

Adjustment

The engine shut-down speed is determined by the position of the adjusting screw in the overspeed governor cover. To change the setting, loosen the lock nut and turn the adjusting screw in to increase the speed, and out to decrease the speed. When the proper setting is obtained, tighten the adjusting screw lock nut.

POWER GENERATOR AND CONTROLS

Detailed information on the maintenance and repair of power generators, control cabinets and component assemblies such as voltage regulators can be found in the service manuals and bulletins issued by the equipment manufacturers.

In many instances, repairs and overhaul work on electrical equipment may be referred to an authorized repair station of the manufacturer of the equipment.

Replacement parts for electrical equipment should be ordered through the equipment manufacturers outlets since these parts are not normally stocked by Detroit Diesel Allison.

For service information regarding Delco Products equipment, direct all requests to the Service Department, Delco Products Division, General Motors Corporation, Dayton, Ohio 45401.

Remove Power Generator From Engine

If required, remove the power generator from the engine as follows:

1. If the generator bearing is lubricated by oil, remove the drain plug from the end frame or the bottom of the sight gage and drain the oil.

2. Remove the terminal box cover plate and remove all of the external power leads.

CAUTION: Tag each power lead before disconnecting to ensure correct connections when the generator is reinstalled.

3. If the unit is equipped with a control cabinet, disconnect all of the generator-to-control cabinet power leads at the cabinet. Also disconnect all engine instruments, throttle control linkage, electrical wiring harness or engine shutdown mechanism at the control cabinet.

CAUTION: Tag all electrical leads before disconnecting to ensure correct connections when the unit is reassembled.

4. Remove the control cabinet from the engine base.

5. Loosen the front engine-to-base mounting bolts. Also loosen the upper hose clamps at the radiator to prevent hose distortion when the flywheel end of the engine is raised.

6. Remove the generator foot-to-engine base mounting bolts and spacers (if used).

7. Attach a chain hoist to the generator eyebolt or lifting ears and raise the generator just enough to allow it to clear the engine base.

8. Place a suitable support under the flywheel housing to support the rear end of the engine before the generator is detached.

9. Remove the generator fan cover retaining bolts and remove the covers.

10. Remove the generator driving disc-to-engine flywheel mounting bolts.

11. With the chain hoist drawn taut, remove the generator frame flange-to-engine flywheel housing mounting bolts.

12. Apply pry bars at opposite sides of the generator to loosen it from the engine flywheel housing.

NOTE: The tenon on the generator frame flange pilots inside of the engine flywheel housing; therefore, the generator must be withdrawn straight back from the engine.

Shimming Coupling

When attaching a two bearing power generator to a 16V off-highway electric drive vehicle engine flywheel, refer to (Fig. 1) and install the .030" and .060" thick shims (as required) at four equally spaced positions on the coupling.

Shims are required when the clearance between the engine flywheel and flywheel housing adaptor mounting surfaces and the power generator mounting surface and the end of the coupling is .016" or more.

NOTE: When a two bearing power generator is attached to the engine, the engine rear main bearing does not support the power generator rotor.

IMPORTANT: Crankshaft end play must be checked (Section 1.3) to be sure the flexible coupling length is correct.

Install Power Generator on Engine

Check the engine crankshaft for distortion at the rear connecting rod journal counterweights before and after installing the power generator on a 16V engine. Refer to Section 1.3 for the procedure.

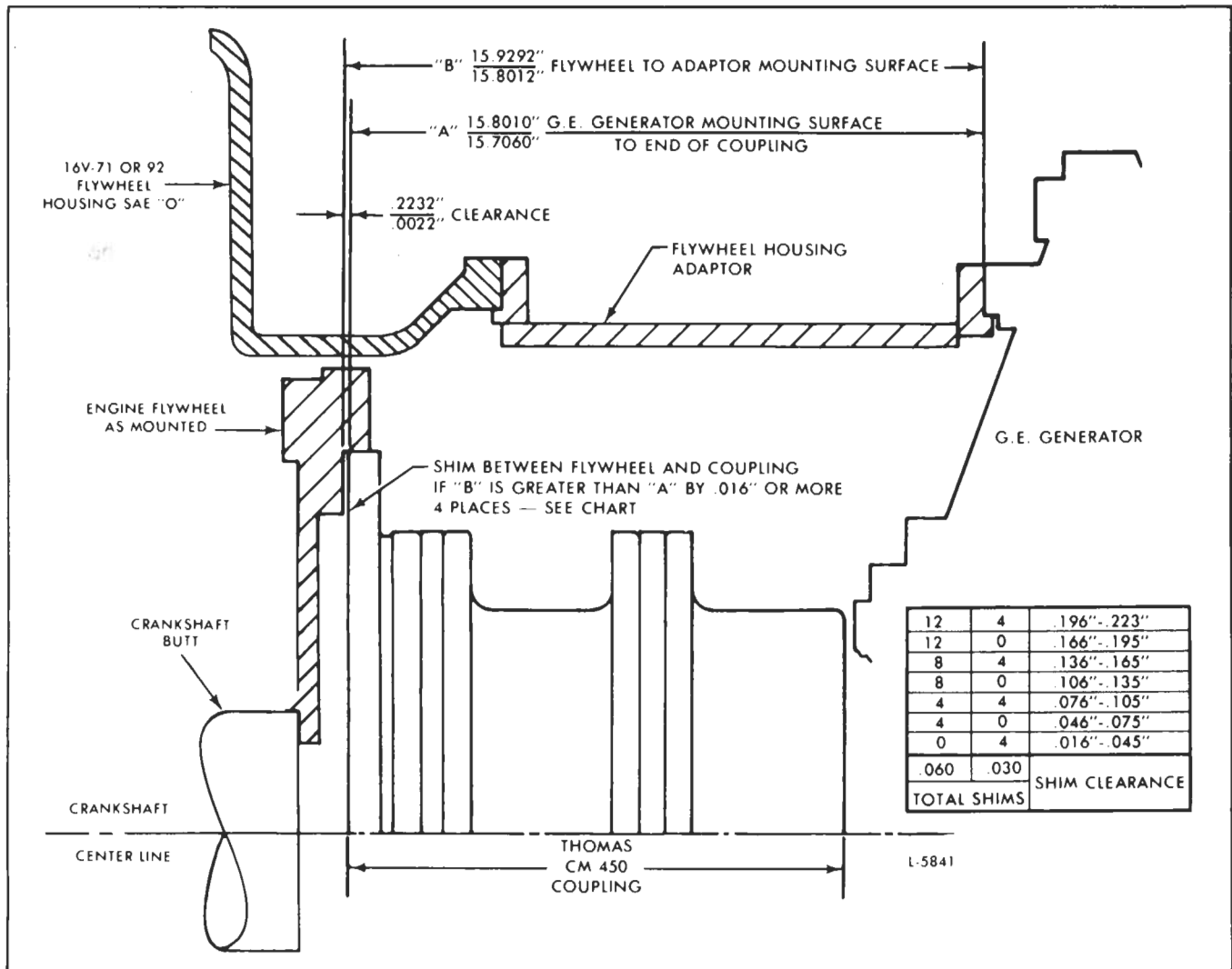


Fig. 1 — Coupling Shimming Details

1. With the front engine-to-base mounting bolts loose and the flywheel end of the engine raised and suitably supported, use a chain hoist to swing the generator in place square against the engine flywheel housing so the pilot of the generator frame enters the flywheel housing.

NOTE: The generator driving disc pilots inside of the engine flywheel with a close tolerance. The driving disc must set flat against the flywheel face when in place, otherwise the generator will be subjected to excessive vibration when placed in service.

2. Align the bolt holes in the generator driving disc with the mating holes in the engine flywheel. Then install the disc retaining bolts and tighten them.

3. Install the generator frame-to-engine flywheel housing bolts and tighten them.

4. Install the generator fan covers.

5. Install the generator foot-to-engine base mounting bolts and spacers (if used). Tighten the bolts.

6. Tighten the front engine-to-base mounting bolts.

7. Position the upper radiator hose and tighten the clamps.

8. Install the control cabinet.

9. Reconnect all power leads.

10. Install the generator terminal box cover plate.

11. Install the oil drain plug and fill the generator bearing oil reservoir, with the same grade of oil as specified for the engine, to the line on the sight gage. Do not overfill.

12. Reinstall and connect all other equipment which was removed during disassembly.

Balance Engine

If proper care is taken in attaching the generator to the engine, the unit should operate smoothly. However, if the unit runs rough (excessive vibration), it must be balanced as follows:

1. Loosen the generator driving disc-to-engine flywheel bolts approximately four turns.
2. Start the engine and run it at a speed not exceeding 600 rpm for approximately one minute. At this speed,

the generator armature will tend to center itself with respect to the center line of the engine crankshaft.

3. Stop the engine and tighten the generator driving disc retaining bolts uniformly.

4. Normally, the above procedure will bring the unit into balance for smooth operation. However, if excessive vibration still exists, it may be corrected as follows:

- a. Remove the generator driving disc retaining bolts and rotate the engine flywheel 180 °.
- b. Install the driving disc bolts finger tight.
- c. Repeat Steps 2 and 3 above.



SHOP NOTES - TROUBLE SHOOTING - SPECIFICATIONS - SERVICE TOOLS

SHOP NOTES

PROPER OPERATION OF THE SWITCHES OR ALARM SYSTEM FOR TESTING THE ELECTRICAL SHUTDOWN

The protective system is activated whenever low lubricating oil pressure, high coolant temperature, engine overspeed or any other abnormal condition develops that could damage the engine.

In a properly maintained installation, the shutdown system seldom has cause to function. Therefore, it is advisable to check the system periodically to be sure that it will function when needed.

Check each component of the shutdown system as outlined below. It is important to thoroughly warm-up the engine before any component of the shutdown system is checked.

Overspeed Governor

1. Remove the valve rocker cover.
2. Start the engine and move the speed control lever to the full-speed position.
3. While watching a tachometer, manually move the control tube slowly towards the increased fuel position until the air shut-off valve closes, stopping the engine.

NOTE: Do not exceed the engine no-load operating speed by more than 10%.

4. Note the speed at which the engine stops and adjust the overspeed governor, if necessary, as outlined in Section 7.4.3.
5. Replace the valve rocker cover.

Water Temperature Switch

The terminals of the water temperature switch are connected into the shutdown system and when the engine water temperature reaches 200-205 °F (93-96 °C), the switch closes and completes the circuit in the shutdown or alarm system.

1. Cover the radiator with a sheet of cardboard to prevent circulation of air.

2. Remove the radiator cap, if the engine is operating near sea level, and insert a steel jacketed thermometer.

NOTE: The boiling point of water lowers approximately 2 ° for each 1000 foot (304.8 m) rise in altitude. As an example, water boils at approximately 203 °F (95 °C) at 5000 feet (1524 m) and at 195 °F (91 °C) at 9000 feet (2743.2 m) altitude. It is necessary to retain the radiator pressure cap on engines which operate in excess of 1000 feet (304.8 m) altitude to prevent the coolant from boiling while performing this test. The engine temperature gage, if it is found to be accurate, may be used when performing this test.

CAUTION: Do not exceed 210 °F (99 °C) when performing this test.

3. Start and run the engine at rated speed and with enough load to raise the water temperature gradually until the air shut-off valve closes. The water temperature switch will usually be set at 200-205 °F (93-96 °C).
4. Note the temperature at which the air shut-off valve closed.
5. Remove the radiator cover and start the engine

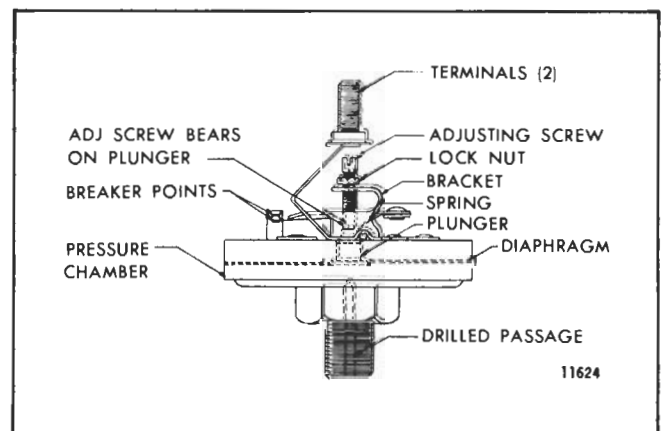


Fig. 1 - Fuel Oil Pressure Switch

without load immediately after the engine stops. This will permit the engine to cool down to normal operating temperature.

Fuel Oil Pressure Switch

The fuel oil pressure switch is set to make contact at an increasing fuel pressure of 20 psi (138 kPa), and the phrase "20-MAKE" is stamped on the switch cover.

As the fuel pressure increases upon starting the engine, a diaphragm in the switch body expands and forces the plunger upwards (Fig. 1). Since the bottom of the adjusting screw bears against this plunger, the adjusting screw and the lower breaker point are also forced upwards. When the fuel pressure reaches 20 psi (138 kPa), the breaker points close and current flows to the terminals of the lubricating oil pressure switch and the water temperature switch.

When the engine is stopped, the fuel pressure decreases and the diaphragm in the switch body contracts. This action causes the plunger to lower and, when the fuel pressure decreases to 20 psi (138 kPa), permits the lower breaker point arm to lower and break the electrical circuit. The bracket to which the lower breaker point arm and the adjusting screw are attached is spring-loaded, which provides for positive breaking of the connection when the fuel pressure decreases sufficiently.

1. Insert a pressure gage on the discharge side of the fuel strainer.
2. Remove one of the leads from the lubricating oil pressure switch while this test is being performed, to prevent the engine from being shut down.
3. Start and run the engine at idle speed.
4. Slow the engine down by moving the speed control lever towards the *no-fuel* position until the fuel pressure is approximately 15 psi (103 kPa), with the engine barely turning over.
5. Place a jumper wire across the water temperature switch terminals.
6. Raise the engine speed slowly and watch the fuel oil pressure gage until the air shut-off valve closes.
7. Note the fuel pressure at which the air shut-off valve closed and, if necessary, replace the switch.
8. Remove the jumper wire from the water temperature switch and reconnect the lubricating oil pressure switch.

Lubricating Oil Pressure Switch

The construction of the lubricating oil pressure switch is very similar to that of the fuel oil pressure switch, except that the lubricating oil pressure switch is calibrated to break contact when the lubricating oil pressure increases to 10 psi (69 kPa). The phrase "10 BREAK" is stamped on the switch cover.

A 20 psi (138 kPa) break switch is used on some engines whose predominant operation is constant speed.

As the lubricating oil pressure increases upon starting, the diaphragm in the switch body expands and forces the plunger upwards (Fig. 2). Since the bottom of the adjusting screw bears against the plunger, and the adjusting screw is attached to the bracket which controls the upper breaker point arm, the arm is also forced upwards. When the lubricating oil pressure increases to 10 psi (69 kPa), the points separate. Current flows to the lubricating oil pressure switch only after the fuel oil pressure switch closes, at which time the points of the lubricating oil switch are open. Should the lubricating oil pressure decrease to 10 psi (69 kPa) during operation, the breaker point will close and either the alarm bell or shutdown solenoid will be energized.

1. Start and run the engine at idle speed.
2. Place a jumper wire on the hot wire relay between the "I" and "S" terminals.
3. Place a jumper wire across the fuel oil pressure switch terminals.
4. Reduce the engine speed by moving the control

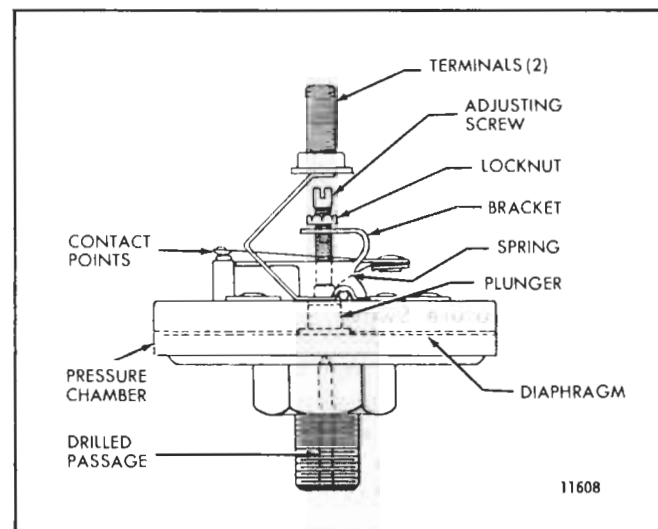


Fig. 2 - Lubricating Oil Pressure Switch

lever towards the *no-fuel* position while watching the lubricating oil pressure gage.

5. Note the oil pressure at which the switch stops the engine and, if necessary, replace the switch.
6. Remove the jumper wire.

Hot Wire Relay

1. Start and operate the engine at idle speed.
2. Place the jumper wire across the terminals of the lubricating oil pressure switch while watching a second hand of a clock.
3. Not more than three to ten seconds should elapse between the time the jumper wire is placed across the terminals of the lubricating oil pressure switch and the air shut-off valve closes.

The above procedures completely test the normally open electrical shutdown system on an engine.

NOTE: When the engine is operating at idle speed or above, the air shut-off valve will completely close off the air from the engine causing it to stop. However, when the engine is operating at the very low speeds that are necessary when performing the test on the fuel shutdown switch and the lubricating oil shutdown switch, the air damper solenoid will close the air shut-off valve, but the engine may continue to run very slowly. This may be due to **insufficient force** exerted by the low air flow on the back of the shut-off valve to completely close it.

Solid State Time Delay Switch

A solid state time delay switch is used on current engines in place of the former hot wire relay.

A bench test procedure for the solid state time delay switch (Fig. 3) is as follows:

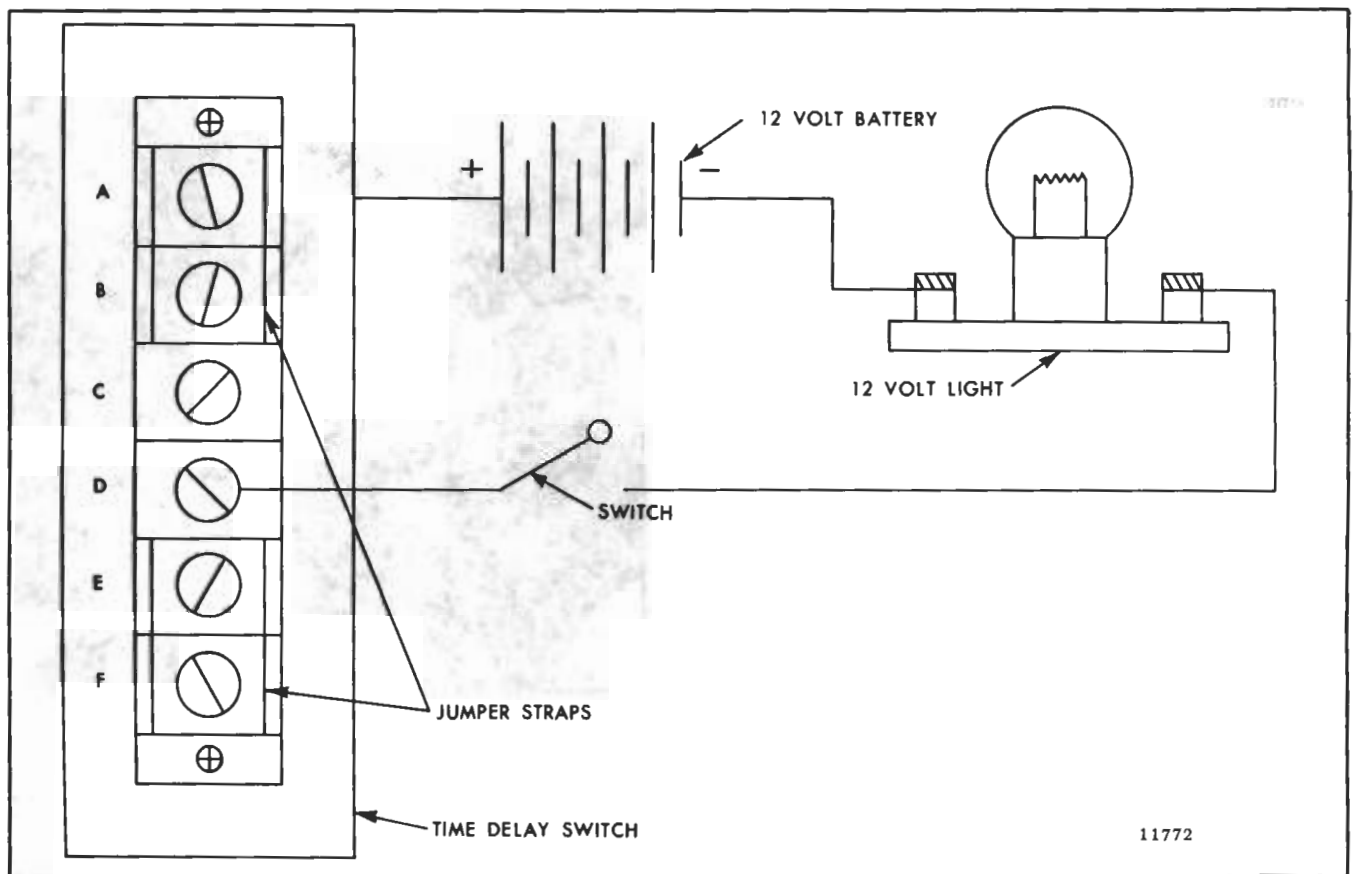


Fig. 3 - Time Delay Switch Testing Diagram

1. Remove the time delay switch from the engine.
2. Install the jumper straps on terminals "A" to "B" and "E" to "F".
3. Install a positive battery lead to terminal "A".
4. Install a negative battery lead to one side of a 12 volt light.

5. Install a lead from the opposite side of the light to terminal "D". A switch may be used in this lead, if desired.

6. After the negative lead is connected to "D" or the switch is closed, the lamp should light in 8 to 10 seconds. If not, the time delay switch must be replaced.

CHECK ENGINE STARTING SWITCH

If difficulty in starting motor engagement has been experienced in a vehicle which has been repowered by a diesel engine, check to see if the key-type starting switch on the instrument panel has been retained.

Key-type starting switches are usually not capable of carrying the current required for heavy-duty diesel engine starter solenoids. The excessive voltage drop in the solenoid circuit restricts the solenoid pull and results in failure of the starter to engage and crank. When tooth abutment occurs and the switch is turned off and on several times, breaking of the solenoid

current causes burning or welding of the switch contacts.

Install a push button type starting switch which is capable of making, breaking and carrying the solenoid current without damage (refer to *Engine Starting Motor Switch* in Section 7.4). Otherwise, a heavy-duty magnetic switch should be used in the solenoid control circuit in addition to the key-type switch. The magnetic switch must be capable of making and breaking at least 90 amperes in a 12 volt system; the key switch would then carry no more than one ampere, which is sufficient to operate the magnetic switch.

ALIGNMENT TOOLS FOR TACHOMETER DRIVE COVERS AND ADAPTORS

Whenever a tachometer drive cover assembly or a tachometer drive adaptor is installed on a engine, it is important that the cover assembly or adaptor be aligned properly with the tachometer drive shaft.

Misalignment of a tachometer drive shaft can impose a side load on a tachometer drive cable adaptor resulting in possible gear seizure and damage to other related components.

Use one of three tools in set J 23068 to establish the proper alignment. Figure 4 illustrates the use of the tools.

Because of the many different combinations of tachometer drive shafts, covers and adaptors, it is not practical to itemize specific usages for each tool. When confronted with an alignment job, test fit each tool to determine which provides the best fit and proceed to make the alignment with that tool.

Correct alignment is established when there is no tachometer drive shaft bind on the inside diameter of the tool when one complete hand rotation of the engine is made.

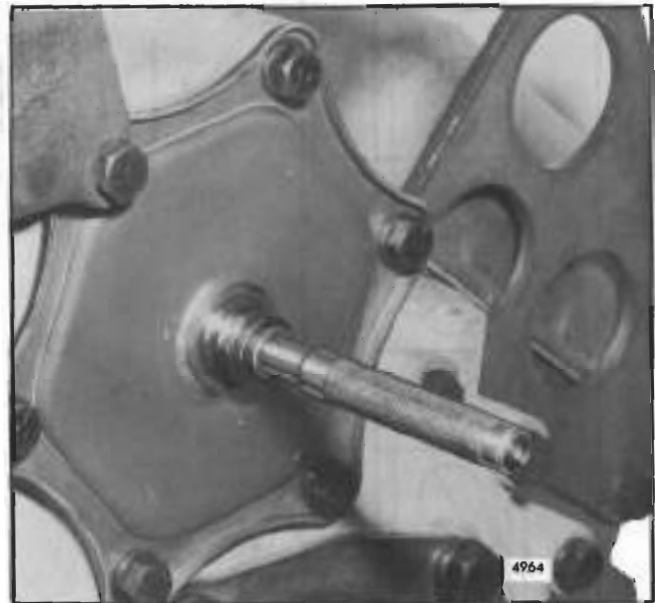


Fig. 4 - Checking Tachometer Drive Shaft Alignment

TROUBLE SHOOTING**CHECKING ENGINE ELECTRICAL GENERATING SYSTEM**

Whenever trouble is indicated in the electrical generating system, the following quick checks can be made to assist in localizing the cause.

A fully charged battery and low charging rate indicates normal alternator-regulator operation.

A low battery and high charging rate indicates normal alternator-regulator operation.

A fully charged battery and high charging rate condition usually indicates the voltage regulator is set too high or is not limiting the alternator output. A high charging rate to a fully charged battery will damage the battery and other electrical components.


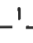



A low battery and low or no charging rate condition could be caused by: Loose connections or damaged wiring, defective battery or alternator and defective regulator or improper regulator setting.

SPECIFICATIONS

STANDARD BOLT AND NUT TORQUE SPECIFICATIONS

THREAD SIZE	260M BOLTS TORQUE		THREAD SIZE	280M OR BETTER TORQUE	
	(lb-ft)	Nm		(lb-ft)	Nm
1/4 -20	5-7	7-9	1/4 -20	7-9	10-12
1/4 -28	6-8	8-11	1/4 -28	8-10	11-14
5/16-18	10-13	14-18	5/16-18	13-17	18-23
5/16-24	11-14	15-19	5/16-24	15-19	20-26
3/8 -16	23-26	31-35	3/8 -16	30-35	41-47
3/8 -24	26-29	35-40	3/8 -24	35-39	47-53
7/16-14	35-38	47-51	7/16-14	46-50	62-68
7/16-20	43-46	58-62	7/16-20	57-61	77-83
1/2 -13	53-56	72-76	1/2 -13	71-75	96-102
1/2 -20	62-70	84-95	1/2 -20	83-93	113-126
9/16-12	68-75	92-102	9/16-12	90-100	122-136
9/16-18	80-88	109-119	9/16-18	107-117	146-159
5/8 -11	103-110	140-149	5/8 -11	137-147	186-200
5/8 -18	126-134	171-181	5/8 -18	168-178	228-242
3/4 -10	180-188	244-254	3/4 -10	240-250	325-339
3/4 -16	218-225	295-305	3/4 -16	290-300	393-407
7/8 -9	308-315	417-427	7/8 -9	410-420	556-569
7/8 -14	356-364	483-494	7/8 -14	475-485	644-657
1 -8	435-443	590-600	1 -8	580-590	786-800
1 -14	514-521	697-705	1 -14	685-695	928-942

Grade identification markings are normally stamped on the heads of the bolts. To aid identification of the various bolts used in Detroit Diesel engines, refer to the following chart.

Grade Identification Marking on Bolt Head	GM Number	SAE Grade Designation	Nominal Size Diameter (inch)	Tensile Strength Min. (psi)
None	GM 255-M	1	No. 6 thru 1 1/2	60,000
None	GM 260-M	2	No. 6 thru 3/4 over 3/4 to 1 1/2	74,000 60,000
 Bolts and Screws	GM 280-M	5	No. 6 thru 1 over 1 to 1 1/2	120,000 105,000
 Hex Head Sems Only	GM 275-M	5.1	No. 6 thru 3/8	120,000
 Bolts and Screws	GM 290-M	7	1/4 thru 1 1/2	133,000
 Bolts and Screws	GM 300-M	8	1/4 thru 1 1/2	150,000
 Bolts and Screws	GM 455-M	None	No. 6 thru 1 1/2	55,000

12252

BOLT IDENTIFICATION CHART

EXCEPTIONS TO STANDARD BOLT AND NUT TORQUE SPECIFICATIONS

APPLICATION	THREAD SIZE	TORQUE (lb-ft)	TORQUE (Nm)
Flange mounted alternator adaptor nut	3/8 -24	15-20	20-27
Tachometer drive cover bolt	7/16-14	30-35	41-47
Tachometer drive cover bolt	1/2 -13	30-35	41-47
Tachometer drive shaft (blower)	1/2 -20	55-65	75-88
Starting motor switch mounting nut	5/8 -32	*	*
Starting motor attaching bolts (alum. flywheel hsg.)	5/8 -11	85-95	115-129

*36-48 in-lb(4-5.5 Nm)

SERVICE TOOLS

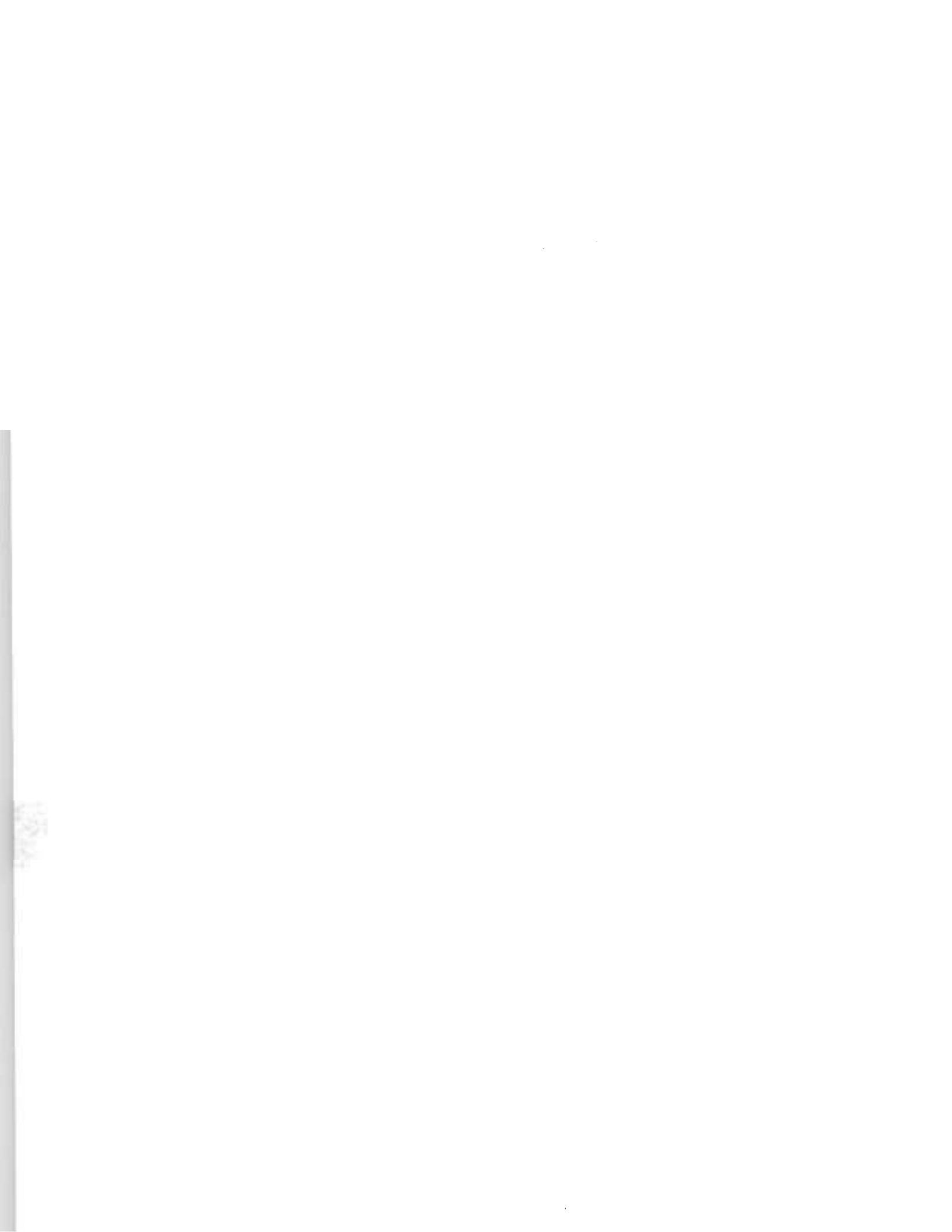
TOOL NAME	TOOL NO.
Slide hammer	J 5901-01
Puller set	J 5901
Tachometer drive alignment tool set	J 23068

SECTION 9

TRANSMISSIONS

For service and overhaul procedures covering the Twin Disc Marine Gear, refer to the manual listed below:

Marine Manual - Twin Disc Marine Gear Model MG 514, Form 20SE15



SECTION 12
SPECIAL EQUIPMENT
CONTENTS

Air Compressor..... 12.4

119



AIR COMPRESSOR

The air compressor (Fig. 1) may be mounted on a bracket attached to the cylinder block of the engine and belt-driven from the crankshaft pulley, or it may be flange-mounted to the flywheel housing and gear driven by means of an accessory drive attached to a camshaft gear.

A six bolt design air compressor mounting base, mounting bracket and gasket are used on engines equipped with a belt-driven air compressor.

The air compressor runs continuously while the engine is running. While the compressor is running, actual compression of air is controlled by the compressor governor which acts in conjunction with the unloading mechanism in the compressor cylinder block. The governor starts and stops the compression of air by loading or unloading the compressor when the air pressure in the system reaches the desired minimum or maximum pressure.

During the down stroke of each piston, a partial vacuum is created above the piston which unseats the inlet valve and then allows air drawn from the air box in the engine cylinder block or through an intake strainer to enter the cylinder above the piston. As the piston starts the upward stroke, the air pressure on top of the inlet valves, plus the inlet valve return spring force, closes the inlet valve. The air above the piston is further compressed until the pressure lifts the discharge valve and the compressed air is discharged through the discharge line into the reservoir.

As each piston starts its downstroke, the discharge valve above it returns to its seat, preventing the

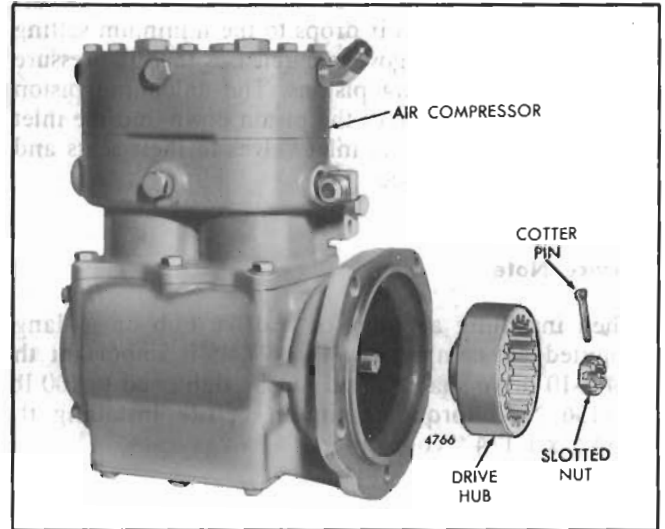


Fig. 2 - Typical Air Compressor with Drive Hub

compressed air from returning to the cylinder and the same cycle is repeated.

When the air pressure in the reservoir reaches the maximum setting of the governor, compressed air from the reservoir passes through the governor into the cavity below the unloading pistons in the compressor cylinder block. The air pressure lifts the unloading pistons which in turn lifts the inlet valves off their seats.

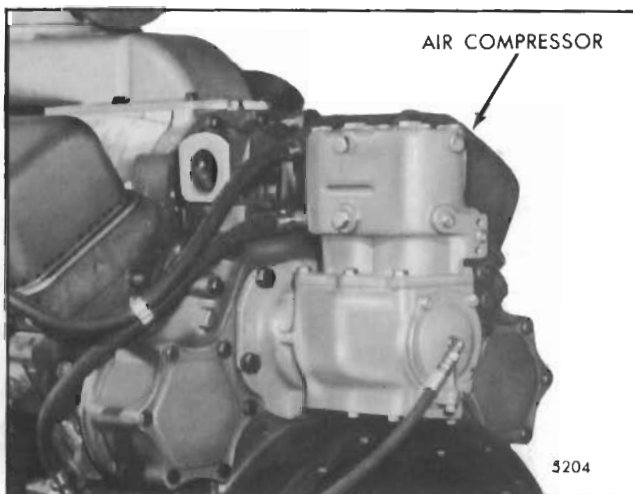


Fig. 1 - Air Compressor Mounting

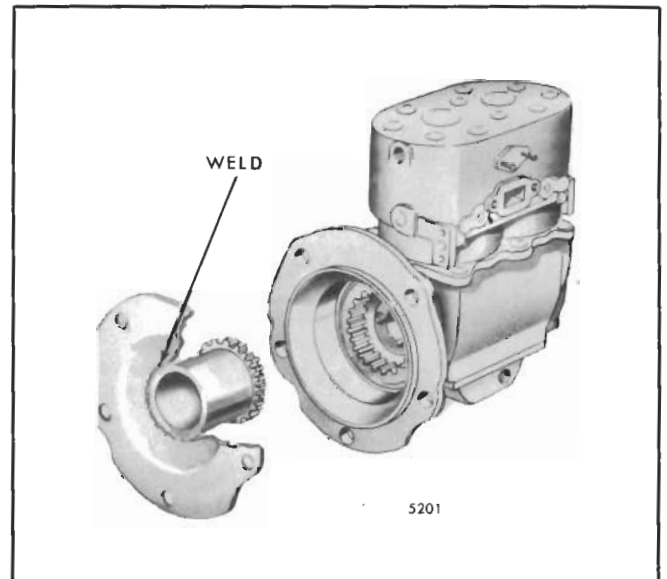


Fig. 3 - Fixture for Holding Drive While Installing or Removing Slotted Nut

With the inlet valves held off their seats, the air during each upstroke of the piston is merely passed back through the air inlet cavity and to the other cylinder where the piston is on the downstroke. When the air pressure in the reservoir drops to the minimum setting of the governor, the governor releases the air pressure beneath the unloading pistons. The unloading piston return spring then forces the piston down and the inlet valve springs return the inlet valves to their seats and compression is resumed.

Service Note

When installing a pulley or a drive hub on a flange mounted air compressor (Fig. 2), it is important the 3/4"-10 drive shaft slotted nut be tightened to 100 lb-ft (136 Nm) torque minimum before installing the 3/32" x 1-1/4" cotter pin.

The air compressor drive shaft will turn during the torquing operation unless some provision is made to hold it. One way this can be done is to weld a modified drive coupling to a support or base which in turn can be anchored to the mounting flange of the compressor. An old flywheel housing cover that matches the flange of the compressor makes an ideal base for the modified coupling. With the exterior splines of the coupling in mesh with the internal splines of the drive hub and the entire assembly secured to the compressor housing, the hub and shaft are kept from rotating when the torque is applied. That part of the base within the inner diameter of the coupling must be removed to permit placement of the wrench socket on the nut. Two bolts will secure the base to the compressor during the torquing operation (Fig. 3).

SECTION 13
OPERATING INSTRUCTIONS
CONTENTS

Engine Operating Instructions.....	13.1
Engine Operating Conditions	13.2
Engine Run-In Instructions.....	13.2.1
Fuels, Lubricants and Coolants.....	13.3

ENGINE OPERATING INSTRUCTIONS

PREPARATION FOR STARTING ENGINE FIRST TIME

Before starting an engine for the first time, carefully read and follow the instructions in Sections 13 and 14 of this manual. Attempting to run the engine before studying these instructions may result in serious damage to the engine.

NOTE: When preparing to start a new or overhauled engine or an engine which has been in storage, perform all of the operations listed below. Before a routine start (at each shift), see *Daily Operations* in the *Lubrication and Preventive Maintenance Chart*, Section 15.1.

Cooling System

Install all of the drain cocks or plugs in the cooling system (drain cocks are removed for shipping).

Open the cooling system vents, if the engine is so equipped.

Remove the filler cap and fill the cooling system with a coolant specified under *Engine Coolant* in Section 13.3. Keep the liquid level about two inches below the filler neck to allow for fluid expansion.

Close the vents, if used, after filling the cooling system.

On marine installations, prime the raw water cooling system and open any sea cocks in the raw water pump intake line. Prime the raw water pump by removing the pipe plug or electrode provided in the pump outlet elbow and pour water in the pump.

CAUTION: Failure to prime the raw water pump may result in damage to the pump impeller.

Lubrication System

The lubricating oil film on the rotating parts and bearings of a new or overhauled engine, or one which has been in storage, may be insufficient for proper lubrication when the engine is started for the first time.

It is recommended that the engine lubricating system be charged with a pressure prelubricator, set to supply a minimum of 25 psi (172 kPa) oil pressure, to ensure an immediate flow of oil to all bearings at the initial

engine start-up. The oil supply line should be attached to the engine so that oil under pressure is supplied to the main oil gallery.

With the oil pan dry, use the prelubricator to prime the engine with sufficient oil to reach all bearing surfaces. Use *heavy-duty* lubricating oil as specified under *Lubricating Oil Specifications* in Section 13.3. Then remove the dipstick, wipe it with a clean cloth, insert and remove it again to check the oil level in the oil pan. Add sufficient oil, if necessary, to bring it to the full mark on the dipstick. Do not overfill.

If a pressure prelubricator is not available, fill the crankcase to the proper level with *heavy-duty* lubricating oil as specified under *Lubricating Oil Specifications* in Section 13.3. Then prelubricate the upper engine parts by removing the valve rocker covers and pouring lubricating oil, of the same grade and viscosity as used in the crankcase, over the rocker arms.

Turbocharger

1. Clean the area and disconnect the oil inlet line at the bearing housing.

2. Fill the bearing housing cavity with clean engine oil. Turn the rotating assembly by hand to coat all of the internal surfaces with oil.

3. Add additional engine oil to completely fill the bearing housing cavity and reinstall the oil line. Clean off any spilled oil.

4. Start and run the engine at idle until oil pressure and supply has reached all of the turbocharger moving parts. A good indicator that all the moving parts are getting lubrication is when the oil pressure gage registers pressure (10 psig - 60 kPa at idle speed).

WARNING: Do not hold the compressor wheel, for any reason, while the engine is running. This could result in personal injury.

The free floating bearings in the turbocharger center housing require positive lubrication. This is provided by the above procedure *before the turbocharger reaches its maximum operating speed* which is produced by high engine speeds. Starting any turbocharged engine and accelerating to any speed above idle before engine oil supply and pressure has reached the free floating bearings can cause severe damage to the shaft and bearings of the turbocharger.

Air Cleaner

If the engine is equipped with oil bath air cleaners, fill the air cleaner oil cups to the proper level with clean engine oil. *Do not overfill.*

Transmission

Check the oil level and, if necessary, fill the transmission case, marine gear or torque converter supply tank to the proper level with the lubricant specified under *Lubrication and Preventive Maintenance* in Section 15.1.

Fuel System

Fill the fuel tank with the fuel specified under *Diesel Fuel Oil Specifications* in Section 13.3.

If the unit is equipped with a fuel valve, it must be opened.

To ensure prompt starting, fill the fuel system between the pump and the fuel return manifold with fuel. If the engine has been out of service for a considerable length of time, prime the fuel system between the fuel pump and the fuel return manifold. The fuel system may be primed by removing the plug in the top of the fuel filter cover and slowly filling the filter with fuel.

In addition to the above, on an engine equipped with a hydrostarter, use a priming pump to make sure the fuel lines and the injectors are full of fuel before attempting to start the engine.

NOTE: The fuel system is filled with fuel before leaving the factory. If the fuel is still in the system when preparing to start the engine, priming should be unnecessary.

Lubrication Fittings

Fill all grease cups and lubricate at all fittings (except for fan hub pulley fitting -- refer to Section 15.1) with an all purpose grease. Apply lubricating oil to the throttle linkage and other moving parts and fill the hinged cap oilers with a hand oiler.

Drive Belts

Adjust all drive belts as recommended under *Lubrication and Preventive Maintenance* in Section 15.1.

Storage Battery

Check the battery. The top should be clean and dry, the terminals tight and protected with a coat of petroleum jelly and the electrolyte must be at the proper level.

NOTE: When necessary, check the battery with a hydrometer; the reading should be 1.265 or higher. However, hydrometer readings should always be corrected for the temperature of the electrolyte.

Generator Set

Where applicable, fill the generator end bearing housing with the same lubricating oil as used in the engine.

A generator set should be connected and grounded in accordance with the applicable local electrical codes.

CAUTION: The base of a generator set must be grounded.

Clutch

Disengage the clutch, if the unit is so equipped.

STARTING

Before starting the engine for the first time, perform the operations listed under *Preparation For Starting Engine First Time*.

Before a routine start, see *Daily Operations* in the *Lubrication and Preventive Maintenance Chart*, Section 15.1.

If a manual or an automatic shutdown system is incorporated in the unit, the control must be set in the open position before starting the engine. The blower will be seriously damaged if operated with the air shut-off valve in the closed position.

NOTE: On engines with dual air shutdown housings, both air shut-off valves must be in the open position before starting the engine.

Starting at air temperatures below 40 °F (4 °C) requires the use of a cold weather starting aid.

The instructions for the use of a cold weather fluid starting aid will vary dependent on the type being used. Reference should be made to these instructions before attempting a cold weather start.

WARNING: Starting fluid used in capsules is highly inflammable, toxic and possesses anesthetic properties.

Initial Engine Start (Electric)

Start an engine equipped with an electric starting motor as follows: Set the speed control lever at part throttle, then bring it back to the desired no-load speed. In addition, on mechanical governors, make sure the stop lever on the governor cover is in the *run* position; on hydraulic governors, make sure the stop knob is pushed all the way in. Then press the starting motor switch firmly. If the engine fails to start within 30 seconds, release the starting switch and allow the starting motor to cool a few minutes before trying again. If the engine fails to start after four attempts, an inspection should be made to determine the cause.

CAUTION: To prevent serious damage to the starter, if the engine does not start, do not press the starting switch again while the starting motor is running.

Initial Engine Start (Hydrostarter)

Start an engine equipped with a hydrostarter as follows:

Use the priming pump to make sure the fuel filter, fuel lines and injectors are full of fuel before attempting to start the engine.

Raise the hydrostarter accumulator pressure with the hand pump until the gage reads as indicated in Table 1.

Set the engine controls for starting with the throttle at least half open.

NOTE: During cold weather, add starting fluid at the same time the hydrostarter motor lever is moved. Do not wait to add the fluid after the engine is turning over.

Push the hydrostarter control lever to simultaneously engage the starter pinion with the flywheel ring gear and to open the control valve. Close the valve as soon

Ambient Temperature	Pressure Gage Reading	
	psi	kPa
Above 40° F (4.4° C)	1500	10 342
40 - 0° F (4.4 to -18° C)	2500	17 237
Below 0° F (-18° C)	3300	22 753

TABLE 1

as the engine starts to conserve the accumulator pressure and to avoid excessive over-running of the starter drive clutch assembly.

RUNNING

Oil Pressure

Observe the oil pressure gage immediately after starting the engine. If there is no pressure indicated within 10 to 15 seconds, stop the engine and check the lubricating oil system. Refer to the *Trouble Shooting Charts* in Section 15.2.

Warm-Up

Run the engine at part throttle and no-load for approximately five minutes, allowing it to warm-up before applying a load.

If the unit is operating in a closed room, start the room ventilating fan or open the windows, as weather conditions permit, so ample air is available for the engine.

Inspection

While the engine is running at operating temperature, check for coolant, fuel or lubricating oil leaks. Tighten the line connections where necessary to stop leaks.

Engine Temperature

Normal engine coolant temperature is 160-185 °F (71-85 °C).

Crankcase

If the engine crankcase was refilled, stop the engine after normal operating temperature has been reached, allow the oil to drain (approximately 20 minutes) back into the crankcase and check the oil level. Add oil, if necessary, to bring it to the proper level on the dipstick.

Use only the *heavy duty* lubricating oil specified under *Lubricating Oil Specifications* in Section 13.3.

Operating Oil Pressure at 180° F (82° C)*									
Marine Gear	Position	† Test rpm	Test Pressure		Marine Gear	Position	† Test rpm	Test Pressure	
			psi	kPa				psi	kPa
MG-506 (except 1.5:1 and 2:1 ratios)	Neutral and Engaged	600	280-315	1930-2170	MG-514 (less than 4:1 ratio) (shallow case)	Neutral	600	20-65	138-448
	Neutral and Engaged	1800	300-320	2067-2205		Neutral	1800	45-92	310-634
	Engaged	600	210-235	1447-1619		Engaged	600	210-235	1447-1619
	Engaged	1800	228-237	1571-1633		Engaged	1800	228-237	1571-1633
MG-506 (only 1.5:1 and 2:1 ratios)	Neutral and Engaged	600	330-365	2274-2515	MG-514 (4:1 and greater ratio) (deep case)	Neutral	600	35-65	241-448
	Neutral and Engaged	1800	350-370	2412-2550		Neutral	1800	50-85	379-586
	Engaged	600	187-215	1289-1481		Engaged	600	187-215	1289-1481
	Engaged	1800	193-220	1330-1516		Engaged	1800	193-220	1330-1516
MG-509	Neutral	600	35-70	241-483	MG-521	Neutral	600	45-85	310-586
	Neutral	1800	50-85	345-586		Neutral	1800	75-100	517-689
	Engaged	600	187-215	1289-1481		Engaged	600	180-215	1241-1481
	Engaged	1800	193-220	1330-1516		Engaged	1800	188-220	1296-1516
MG-512	Neutral	600	45-70	310-483	MG-527	Neutral	600	45-85	310-586
	Neutral	1800	60-90	414-621		Neutral	1800	65-100	448-689
	Engaged	600	185-215	1275-1481		Engaged	600	180-215	1241-1481
	Engaged	1800	195-220	1344-1516		Engaged	1800	188-220	1296-1516
MG-513	Neutral	600	70-110	483-758		Neutral	600	45-85	310-586
	Neutral	1800	90-130	621-896		Neutral	1800	65-100	448-689
	Engaged	600	230-270	1585-1861		Engaged	600	180-215	1241-1481
	Engaged	1800	240-280	1654-1930		Engaged	1800	188-220	1296-1516
	Neutral	600	70-110	483-758		Neutral	600	45-85	310-586
	Neutral	1800	90-130	621-896		Neutral	1800	65-100	448-689
	Engaged	600	230-270	1585-1861		Engaged	600	180-215	1241-1481
	Engaged	1800	240-280	1654-1930		Engaged	1800	188-220	1296-1516

* Sump or heat exchanger inlet 210° F (99° C) maximum. Normal operating range desired 140-180° F (60-82° C) minimum continuous duty.

† Sump or heat exchanger inlet 225° F (107° C) maximum intermittent permissible in pleasure craft.

TABLE 2 - Twin Disc Marine Gear Operating Conditions

Clutch

Do not engage the clutch (with a sintered iron clutch plate) at engine speeds over 850 rpm. A clutch with an asbestos or vegetable fiber material clutch plate must not be engaged at speeds over 1000 rpm.

Cooling System

Remove the radiator or heat exchanger tank cap *slowly* after the engine has reached normal operating temperature and check the engine coolant level. The coolant level should be near the top of the opening. If necessary, add clean soft water or a permanent type antifreeze.

Transmission

Check the marine gear oil pressure. The operating oil pressure range at operating speed is 90-150 psi (621-1034 kPa) (Allison Torqmatic gear). The operating oil pressure varies with the different Twin Disc gears as

noted in Table 2. Check and, if necessary, replenish the oil supply in the transmission.

Turbocharger

Make a visual inspection of the turbocharger for leaks and excessive vibration. Stop the engine immediately if there is an unusual noise in the turbocharger.

Avoid Unnecessary Engine Idling

During long engine idling periods, the engine coolant temperature will fall below the normal operating range. The incomplete combustion of fuel in a cold engine will cause crankcase dilution, formation of lacquer or gummy deposits on the valves, pistons and rings and rapid accumulation of sludge in the engine.

NOTE: When prolonged engine idling is necessary, maintain at least 800 rpm.

STOPPING**Normal Stopping**

1. Release the load and decrease the engine speed. Put all shift levers in the *neutral* position.
2. Allow the engine to run **at half speed** or slower with no load for four or five **minutes**, then move the stop lever to the *stop* position to **stop the engine**.

Emergency Stopping

To stop an engine (normal or emergency) equipped with the spring-loaded (one screw) design injector control tube, pull the governor **stop lever** to the stop position. If an engine equipped with the non-spring loaded (two screw) design injector control tube **does not stop** after using the normal stopping procedure, pull the *Emergency Stop* knob all the way out. This control cuts off the air to the engine. Do not try to restart again until the cause for the malfunction has been found and corrected.

CAUTION: The emergency shutdown system should never be used except in an emergency. Use of the emergency shutdown can cause oil to be sucked past the oil seals and into the blower housing.

The air shut-off valve, located on the blower air inlet housing, must be reset by hand and the *Emergency Stop* knob pushed in before the engine is ready to start again.

Fuel System

If the unit is equipped with a fuel valve, close it. Fill the fuel tank; a full tank minimizes condensation.

Exhaust System

Drain the condensation from the exhaust line or silencer.

Cooling System

Drain the cooling system if it is not protected with antifreeze and freezing temperatures are expected. Leave the drains open. Open the raw water drains of a heat exchanger cooling system.

Crankcase

Check the oil level in the crankcase. Add oil, if necessary, to bring it to the proper level on the dipstick.

Transmission

Check and, if necessary, add sufficient oil to bring it to the proper level.

Inspection

Make a visual check for leaks in the fuel, lubricating and cooling systems.

Clean Engine

Clean and check the engine thoroughly to make certain it will be ready for the next run.

Refer to the *Lubrication and Preventive Maintenance Chart* in Section 15.1 and perform all of the daily maintenance operations. Also, perform the operations required for the number of hours or miles the engine has been in operation.

Make the necessary adjustments and minor repairs to correct difficulties which became apparent to the operator during the last run.

ENGINE OPERATING CONDITIONS

These charts are included as an aid for engine operation and trouble shooting. Any variations from the conditions as listed may indicate an abnormal situation in need of correction. Make sure that the readings represent true values before attempting to make corrections to the engine.

NOTE: The lubricating oil temperature range is based on the temperature measurement in the oil pan at the oil pump inlet. When measuring the oil temperature at the cylinder block oil gallery it will be 10° lower than the oil pan temperature.

V-92 ALL (EXCEPT TURBOCHARGED) ENGINES

	1200 rpm	1800 rpm	2100 rpm
Lubrication System			
Lubricating oil pressure (psi):			
Normal	32-47	50-70	50-70
Minimum for safe operation	25	28	30
Lubricating oil temperature (degr. F.) - max:			
Normal	200-235	200-235	200-235
Air System			
Air box pressure (inches mercury) - min. at full load:			
At zero exhaust back pressure	1.1	3.8	5.0
At max. full load exh. back press.	2.3	6.4	8.2
Air inlet restriction (inches water) - full load max.:			
Dirty air cleaner - oil bath or dry type	12.4	25.0	25.0
Clean air cleaner:			
Oil bath type	8.7	13.4	15.9
Dry type with precleaner	8.7	13.4	15.9
Dry type less precleaner	5.2	9.1	11.5
Crankcase pressure (inches water) - max.	1.0	2.2	3.0
Exhaust back pressure (inches mercury) - max.:			
Full load	1.5	3.3	4.0
No load	1.0	2.1	2.6
Fuel System			
Fuel pressure at inlet manifold (psi):			
Normal with .080" restriction fitting (6, 8V)	45-70	45-70	45-70
Normal with .070" restriction fitting (16V)	30-65	30-65	30-65
Minimum	30	30	30
Fuel spill (gpm) - minimum at no-load:			
6, 8V engines8	.9	.9
16V engines	1.2	1.4	1.4
Fuel pump suction at pump inlet (inches mercury) - max.:			
Clean system	6	6	6
Dirty system	12	12	12
Cooling System			
Coolant temperature (degr. F.) - normal	160-185	160-185	160-185
Compression			
Compression pressure (psi at seal level):			
Average - new engine - at 600 rpm	480		
Minimum - at 600 rpm	430		

6V-92T ENGINE WITH TURBOCHARGER**(T18A40 1.14 A/R HOUSING)***

	1800 rpm	2000 rpm	2100 rpm
Lubrication System			
Lubricating oil pressure (psi):			
Normal	50-70	50-70	50-70
Minimum for safe operation	30	30	30
Lubricating oil temperature (degr. F.) - max.:			
Normal	200-250	200-250	200-250
Air System			
Air box pressure (inches mercury) - min. at full load:			
At zero exhaust back pressure			
80 injectors	21.0	25.5	28.0
85 injector	22.5	27.0	29.5
90 injector	24.0	29.0	31.5
95 injector	25.5		
At max, full load exh. back press. (clean ports)			
80 injectors	19.5	23.7	26.0
85 injector	20.9	25.1	27.4
90 injector	22.3	27.0	29.3
95 injector	23.4		
Air inlet restriction (inches water) - full load max.:			
Dirty air cleaner - dry type	14.5	18.0	20.0
Clean air cleaner:			
dry type with precleaner	8.7	10.8	12.0
dry type less precleaner	5.8	7.2	8.0
Crankcase pressure (inches water) - max.	2.2	2.7	3.0
Exhaust back pressure (inches mercury) - max.:			
Full load	1.8	2.2	2.5
No load	1.3	1.6	1.8
Fuel System			
Fuel pressure at inlet manifold (psi):			
Normal with .080" restriction fitting	50-70	50-70	50-70
Minimum	30	30	30
Fuel spill (gpm) - minimum at no-load:			
.080" restriction fitting	0.9	0.9	0.9
Fuel pump suction at pump inlet (inches mercury) - max.:			
Clean system	6	6	6
Dirty system	12	12	12
Cooling System			
Coolant temperature (degr. F.) - normal	160-185	160-185	160-185
Compression			
Compression pressure (psi at sea level):			
Average - new engine - at 600 rpm	430		
Minimum - at 600 rpm	380		

*Indicates Area and Radius

8V AND 16V-92T ENGINE WITH TURBOCHARGER**(T18A90 1.50 A/R HOUSING)***

	1800 rpm	2000 rpm	2100 rpm
Lubrication System			
Lubricating oil pressure (psi):			
Normal	50-70	50-70	50-70
Minimum for safe operation	30	30	30
Lubricating oil temperature (degr. F.) - max.:			
Normal	200-250	200-250	200-250
Air System			
Air box pressure (inches mercury) - min. at full load:			
At zero exhaust back pressure			
80 injectors	22.5	27.5	29.5
85 injector	24.0	29.0	31.0
90 injector	25.5	31.0	33.0
95 injector	27.5		
At max. full load exh. back pressure (clean ports)			
80 injectors	20.9	25.6	27.4
85 injector	22.3	27.0	28.8
90 injector	23.7	28.8	30.7
95 injector	25.6		
Air inlet restriction (inches water) - full load max:			
Dirty air cleaner - dry type	14.5	18.0	20.0
Clean air cleaner:			
dry type with precleaner	8.7	10.8	12.0
dry type less precleaner	6.3	7.7	8.5
Crankcase pressure (inches water) - max.	2.2	2.7	3.0
Exhaust back pressure (inches mercury) - max.:			
Full load	1.8	2.2	2.5
No load	1.3	1.6	1.8
Fuel System			
Fuel pressure at inlet manifold (psi):			
Normal with .080" restriction fitting (8V).....	50-70	50-70	50-70
Normal with .070" restriction fitting (two for 16V)....	50-70	50-70	50-70
Minimum	30	30	30
Fuel spill (gpm) - minimum at no-load:			
.080" restriction fitting (8V):	0.9	0.9	0.9
.070" restriction fitting (two for 16V)	1.4	1.4	1.4
Fuel pump suction at pump inlet (inches mercury) - max.:			
Clean system	6	6	6
Dirty system	12	12	12
Cooling System			
Coolant temperature (degr. F.) - normal	160-185	160-185	160-185
Compression			
Compression pressure (psi at sea level):			
Average - new engine - at 600 rpm	430		
Minimum - at 600 rpm	380		

*Indicates Area and Radius



ENGINE RUN-IN INSTRUCTIONS

Following a complete overhaul or any major repair job involving the installation of piston rings, pistons, cylinder liners or bearings, the engine should be "Run-in" on a dynamometer prior to release for service.

The dynamometer is a device for applying specific loads to an engine. It permits the serviceman to physically and visually inspect and check the engine while it is operating. It is an excellent method of detecting improper tune-up, misfiring injectors, low compression and other malfunctions, and may save an engine from damage at a later date.

The operating temperature within the engine affects the operating clearances between the various moving parts of the engine and determines to a degree how the parts will wear. Normal coolant temperature (160–185° F or 71–85° C) should be maintained throughout the Run-in.

The rate of water circulation through the engine on a dynamometer should be sufficient to avoid having the engine outlet water temperature more than 10° higher than the water inlet temperature. Though a 10° rise across an engine is recommended, it has been found that a 15° temperature rise maximum can be permitted.

Thermostats are used in the engine to control the coolant flow. Therefore, be sure they are in place and fully operative or the engine will overheat during the Run-in. However, if the dynamometer has a water standpipe with a temperature control regulator, such as a Taylor valve or equivalent, the engine should be tested without thermostats.

NOTE: Because of the wet cylinder liners in the V-92 engine, it is desirable that the engine Run-In be made on a closed (heat exchanger type) cooling system where the coolant can be treated with a rust inhibitor (refer to Section 13.3). Use of a good rust inhibitor in the coolant system during engine Run-In will prevent the rusting of the outside diameter of the cylinder liners after the engine has been removed from the dynamometer test stand.

The Run-In Schedules are shown in Tables 1 and 2. The horsepower shown is at SAE conditions: dry air density .0705 lb/cu. ft. (1.129 Kg/m³), air temperature of 85° F (29.4° C), and 500 ft. (152 m) elevation.

DYNAMOMETER TEST AND RUN-IN PROCEDURES

The Basic Engine

The great number of engine applications make any attempt to establish comparisons for each individual model impractical. For this reason, each model has a basic engine rating for comparison purposes.

A basic engine includes only those items actually required to run the engine. The addition of any engine driven accessories will result in a brake horsepower figure less than the values shown in the *Basic Engine Run-In Schedule*. The following items are included on the basic engine: blower, fuel pump, water pump and governor. The fan and battery-charging alternator typify accessories not considered on the basic engine.

In situations where other than basic engine equipment is used during the test, proper record of this fact should be made on the *Engine Test Report*. The effects of this additional equipment on engine performance should then be considered when evaluating test results.

Dynamometer

The function of the dynamometer is to absorb and measure the engine output. Its basic components are a frame, engine mounts, the absorption unit, a heat exchanger, and a torque loading and measuring device.

The engine is connected through a universal coupling to the absorption unit. The load on the engine may be varied from zero to maximum by decreasing or increasing the resistance in the unit. The amount of power absorbed in a water brake type dynamometer, as an example, is governed by the volume of fluid within the working system. The fluid offers resistance to a rotating motion. By controlling the volume of water in the absorption unit, the load may be increased or decreased as required.

The power absorbed is generally measured in torque (lb-ft) on a suitable scale. This value for a given engine speed will show the brake horsepower developed in the engine by the following formula:

$$\text{BHP} = (T \times \text{RPM}) / 5250$$

Where:

BHP = brake horsepower
T = torque in lb-ft
RPM = revolutions per minute

Some dynamometers indicate direct brake horsepower

BASIC ENGINE RUN-IN SCHEDULE

Time Minutes	Speed RPM	Injectors	Engine Brake Horsepower					
			6V	6VT	8V	8VT	16V	16VT
10	1200	All	54	54	72	72	144	144
30	1800	All	195	225	260	300	520	600
30*	2100	70	216	—	288	—	576	—
30*	2100	75	230	—	306	—	612	—
30*	2100	80	243	—	324	—	648	—
30*	2100	85	257	—	342	—	684	—
30*	2100	80	—	252	—	338	—	675
30*	2100	85	—	270	—	360	—	720
30*	2100	90	—	290	—	387	—	774

*Use speed-injector combination applicable to engine on test.

TABLE 1

FINAL ENGINE RUN-IN SCHEDULE

Time Minutes	Speed RPM	Injectors	+ Engine Brake Horsepower					
			6V	6VT	8V	8VT	16V	16VT
30*	2100	70	240	—	320	—	640	—
30*	2100	75	255	—	340	—	680	—
30*	2100	80	270	280	360	375	720	750
30*	2100	85	285	300	380	400	760	800
30*	2100	90	—	322	—	430	—	860

*Use speed-injector combination applicable to engine on test.

+ Within 5% of brake horsepower rating shown above at governor speed.

TABLE 2

readings. Therefore, the use of the formula is not required when using these units.

During the actual operation, all data taken should be recorded immediately on an *Engine Test Report* (see sample on page 3).

Instrumentation

Certain instrumentation is necessary so that data required to complete the *Engine Test Report* may be obtained. The following list contains both the minimum amount of instruments and the proper location of the fittings on the engine so that the readings represent a true evaluation of engine conditions.

a. Oil pressure gage installed in one of the engine main oil galleries.

b. Oil temperature gage installed in the oil pan, or thermometer installed in the dipstick hole in the oil pan.

c. Adaptor for connecting a pressure gage or mercury manometer to the engine air box.

d. Water temperature gage installed in the thermostat housing or water outlet manifold.

e. Adaptor for connecting a pressure gage or water manometer to the crankcase.

f. Adaptor for connecting a pressure gage or mercury manometer to the exhaust manifold at the flange.

g. Adaptor for connecting a vacuum gage or water manometer to the blower inlet.

h. Adaptor for connecting a fuel pressure gage to the fuel manifold inlet passage.

- i. Adaptor for connecting a pressure gage or mercury manometer to the turbocharger.

In some cases, gages reading in pounds per square inch are used for determining pressures while standard characteristics are given in inches of mercury or inches of water. It is extremely important that the scale of such a gage be of low range and finely divided if accuracy is desired. This is especially true of a gage reading in psi, the reading of which is to be converted to inches of water. The following conversion factors may be helpful.

$$\begin{aligned} \text{Inches of water} &= \text{psi} \times 2.77'' \\ \text{Inches of mercury} &= \text{psi} \times 2.04'' \end{aligned}$$

NOTE: Before starting the Run-In or starting the engine for any reason following an overhaul, it is of extreme importance to observe the instructions on *Preparation for Starting Engine First Time* in Section 13.1.

Run-In Procedure

The procedure outlined below will follow the order of the sample *Engine Test Report*.

A. PRE-STARTING

1. Fill the lubrication system as outlined under *Lubrication System -- Preparation for Starting Engine First Time* in Section 13.1.
2. Prime the fuel system as outlined under *Fuel System -- Preparation for Starting Engine First Time* in Section 13.1.
3. A preliminary valve clearance adjustment must be made before the engine is started. See *Valve Clearance Adjustment* in Section 14.1.
4. A preliminary injector timing check must be made before starting the engine. See *Fuel Injector Timing* in Section 14.2.
5. Preliminary governor adjustments must be made as outlined in Section 14.
6. Preliminary injector rack adjustment must be made (Section 14).

NOTE: Prior to starting a turbocharged engine, remove the oil supply line at each turbocharger and add clean engine oil to the oil inlet to ensure pre-lubrication of the turbochargers. Reconnect the oil lines and idle the engine for at least one minute after starting and before increasing the speed.

B. BASIC ENGINE RUN-IN

The operator should be observant at all times, so that any malfunction which may develop will be detected. Since the engine has just been reconditioned, this Run-in will be a test of the workmanship of the serviceman who performed the overhaul. Minor difficulties should be detected and corrected so that a major problem will not develop.

After performing the preliminary steps, be sure all water valves, fuel valves, etc. are open. Also inspect the exhaust system, being sure that it is properly connected to the engine. Always start the engine with minimum dynamometer resistance.

After the engine starts, if using a water brake type dynamometer, allow sufficient water, by means of the control loading valves, into the dynamometer absorption unit to show a reading of approximately 5 lb-ft on the torque gage (or 10-15 HP on a horsepower gage). This is necessary, on some units, to lubricate the absorption unit seals and to protect them from damage.

Set the engine throttle at idle speed, check the lubricating oil pressure and check all connections to be sure there are no leaks.

Refer to the *Engine Test Report* sample which establishes the sequence of events for the test and run-in, and to the *Basic Engine Run-In Schedule* which indicates the speed (rpm), length of time and the brake horsepower required for each phase of the test. Also refer to the *Operating Conditions* in Section 13.2 which presents the engine operating characteristics. These characteristics will be a guide for tracing faulty operation or lack of power.

Engine governors in most cases must be reset at the maximum full-load speed designated for the Run-in. If a governor is encountered which cannot be adjusted to this speed, a stock governor should be installed for the Run-in.

After checking the engine performance at idle speed and being certain the engine and dynamometer are operating properly, increase the engine speed to half speed and apply the load indicated on the *Basic Engine Run-In Schedule*.

The engine should be run at this speed and load for 10 minutes to allow sufficient time for the coolant temperature to reach the normal operating range. Record length of time, speed, brake horsepower, coolant temperature and lubricating oil pressure on the *Engine Test Report*.

Run the engine at each speed and rating for the length of time indicated in the *Basic Engine Run-In*

Schedule. This is the Basic Run-In. During this time, engine performance will improve as new parts begin to "seat in". Record all of the required data.

C. BASIC RUN-IN INSPECTION

While the engine is undergoing the Basic Run-In, check each item indicated in Section "C" of the *Engine Test Report*. Check for fuel oil or water leaks in the rocker arm compartment.

During the final portion of the Basic Run-In, the engine should be inspected for fuel oil, lubricating oil and water leaks.

Upon completion of the Basic Run-In and Inspection, remove the load from the dynamometer and reduce the engine speed gradually to idle and then stop the engine.

D. INSPECTION AFTER BASIC RUN-IN

The primary purpose of this inspection is to provide a fine engine tune-up. First, tighten the cylinder head and rocker arm shaft bolts to the proper torque. Next, complete the applicable tune-up procedure. Refer to Section 14.

E. FINAL RUN-IN

After all of the tests have been made and the *Engine Test Report* is completed through Section "D", the engine is ready for final test. This portion of the test and Run-in procedure will assure the engine owner that his engine has been rebuilt to deliver factory rated performance at the same maximum speed and load which will be experienced in the installation.

If the engine has been shut down for one hour or longer, it will be necessary to have a warm-up period of 10 minutes at the same speed and load used for warm-up in the Basic Run-In. If piston rings, cylinder liners or bearings have been replaced as a result of findings in the Basic Run-In, the entire Basic Run-In must be repeated as though the Run-in and test procedure were started anew.

All readings observed during the Final Run-In should fall within the range specified in the *Operating Conditions* in Section 13.2 and should be taken at full load unless otherwise specified. Following is a brief discussion of each condition to be observed.

The engine *water temperature* should be taken during the last portion of the Basic Run-In at full load. It

should be recorded and should be within the specified range.

The *lubricating oil temperature* reading must be taken while the engine is operating at full load and after it has been operating long enough for the temperature to stabilize. This temperature should be recorded and should be within the specified range.

The *lubricating oil pressure* should be recorded in psi after being taken at engine speeds indicated in the *Operating Conditions*, Section 13.2.

The *fuel oil pressure* at the fuel manifold inlet passage should be recorded and should fall within the specified range. Fuel pressure should be recorded at maximum engine speed during the Final Run-In.

Check the *air box pressure* while the engine is operating at maximum speed and load. This check may be made by attaching a suitable gage (0-15 psi) or manometer (15-0-15) to an air box drain or to a hand hole plate prepared for this purpose. If an air box drain is used as a source for this check, it must be clean. The air box pressure should be recorded in inches of mercury.

Check the *crankcase pressure* while the engine is operating at maximum Run-in speed. Attach a manometer, calibrated to read in inches of water, to the oil level dipstick opening. Normally, crankcase pressure should decrease during the Run-in indicating that new rings are beginning to "seat-in".

Check the *air inlet restriction* with a water manometer connected to a fitting in the air inlet ducting located 2" above the air inlet housing. When practicability prevents the insertion of a fitting at this point, the manometer may be connected to a fitting installed in the 1/4" pipe tapped hole in the engine air inlet housing. If a hole is not provided, a stock housing should be drilled, tapped and kept on hand for future use.

The restriction at this point should be checked at a specific engine speed. Then the air cleaner and ducting should be removed from the air inlet housing and the engine again operated at the same speed while noting the manometer reading. On turbocharged engines, take the reading on the inlet side of one of the turbochargers. The difference between the two readings, with and without the air cleaner and ducting, is the actual restriction caused by the air cleaner and ducting.

Check the normal *air intake vacuum* at various speeds (at no-load) and compare the results with the *Engine Operating Conditions* in section 13.2. Record these readings on the *Engine Test Report*.

Check the *exhaust back pressure* (except turbocharged engines) at the exhaust manifold companion flange or within one inch of this location. This check should be made with a mercury manometer through a tube adaptor installed at the tapped hole. If the exhaust manifold does not provide a 1/8" pipe tapped hole, such a hole can be incorporated by reworking the exhaust manifold. Install a fitting for a pressure gage or manometer in this hole. Care should be exercised so that the fitting does not protrude into the stack. On turbocharged engines, check the exhaust back pressure in the exhaust piping 6" to 12" from the turbine outlet. The tapped hole must be in a comparatively straight area for an accurate measurement. The manometer check should produce a reading in inches that is below the *Maximum Exhaust Back Pressure* for the engine (refer to Section 13.2).

Turbocharger compressor outlet pressure and turbine inlet pressures are taken at full-load and no-load speeds.

Refer to the *Final Engine Run-In Schedule* and determine the maximum rated brake horsepower and the full-load speed to be used during the Final Run-In. Apply the load thus determined to the dynamometer. If a hydraulic governor is used, the droop may be adjusted at this time by following the prescribed procedure. The engine should be run at this speed and load for 1/2 hour. While making the Final Run-In, the engine should develop, within 5%, the maximum rated brake horsepower indicated for the speed at which it is operating. If this brake horsepower is not developed, the cause should be determined and corrections made.

When the above conditions have been met, adjust the maximum no-load speed to conform with that specified for the particular engine. This speed may be either higher or lower than the maximum speed used during the Basic Run-In. This will ordinarily require a governor adjustment.

All information required in Section "E", Final Run-In, of the *Engine Test Report* should be determined and filled in. After the prescribed time for the Final Run-In has elapsed, remove the load from the dynamometer and reduce the engine speed gradually to idle speed and then stop the engine. The Final Run-In is complete.

F. INSPECTION AFTER FINAL RUN-IN

After the Final Run-In and before the *Engine Test Report* is completed, a final inspection must be made. This inspection will provide final assurance that the engine is in proper working order. During this inspection, the engine is also made ready for any brief delay in delivery or installation which may occur. This is accomplished by rustproofing the fuel system as outlined in Section 15.3 and adding a rust inhibitor into the cooling system (refer to Section 13.3). The lubricating oil filters should also be changed.

CAUTION: A rust inhibitor in the coolant system of the V-92 engine is particularly important because of the wet cylinder liners. Omission of a rust inhibitor will cause rusting of the outside diameter of the cylinder liners and interference with liner heat transfer.

DETROIT DIESEL FUEL OIL SPECIFICATIONS

GENERAL CONSIDERATIONS

The quality of fuel oil used for high-speed diesel engine operation is a very important factor in obtaining satisfactory engine performance, long engine life, and acceptable exhaust.

Fuel selected should be completely distilled material. That is, the fuel should show at least 98 percent by volume recovery when subjected to ASTM D-86 distillation. Fuels marketed to meet Federal Specification VV-F-800 (grades DF-1 and DF-2) and ASTM Designation D-975 (grades 1-D and 2-D) meet the completely distilled criteria. Some of the general properties of VV-F-800 and ASTM D-975 fuels are shown below.

FEDERAL SPECIFICATION & ASTM
DIESEL FUEL PROPERTIES

Specification or Classification Grade	VV-F-800 DF-1	ASTM D-975 1-D	VV-F-800 DF-2	ASTM D-975 2-D
Flash Point, min.	104° F 40° C	100° F 38° C	122° F 50° C	125° F 52° C
Carbon Residue (10% residuum), % max.	0.15	0.15	0.20	0.35
Water & Sediment, % by vol., max.	0.01	trace	0.01	0.05
Ash, % by wt., max.	0.005	0.01	0.005	0.01
Distillation Temperature, 90% by vol. recovery, min.	—	—	—	540° F (282° C)
max.	572° F (300° C)	550° F (288° C)	626° F (330° C)	640° F (338° C)
End Point, max.	626° F (330° C)	—	671° F (355° C)	—
Viscosity 100° F (38° C)				
Kinematic, cs, min.	1.4	1.4	2.0	2.0
Saybolt, SUS, min.	—	—	—	32.6
Kinematic, cs, max.	3.0	2.5	4.3	4.3
Saybolt, SUS, max.	—	34.4	—	40.1
Sulfur, % by wt., max.	0.50	0.50	0.50	0.50
Cetane No.	45	40	45	40

Residual fuels and domestic furnace oils are not considered satisfactory for Detroit Diesel engines; however, some may be acceptable. (See "DETROIT DIESEL FUEL OIL SPECIFICATIONS.")

NOTE: Detroit Diesel Allison does not recommend the use of drained lubricating oil as a diesel fuel oil. Furthermore, Detroit Diesel will not be responsible for any engine detrimental effects which it determines resulted from this practice.

All diesel fuel oil contains a certain amount of sulfur. Too high a sulfur content results in excessive cylinder wear due to acid build-up in the lubricating oil. For most satisfactory engine life, fuels containing less than 0.5% sulfur should be used.

Fuel oil should be clean and free of contamination. Storage tanks should be inspected regularly for dirt, water or water-emulsion sludge, and cleaned if contaminated. Storage instability of the fuel can lead to the formation of varnish or sludge in the tank. The

presence of these contaminants from storage instability must be resolved with the fuel supplier.

DETROIT DIESEL FUEL OIL SPECIFICATIONS

Detroit Diesel Allison designs, develops, and manufactures commercial diesel engines to operate on diesel fuels classified by the ASTM as Designation D-975 (grades 1-D and 2-D). These grades are very similar to grades DF-1 and DF-2 of Federal Specification VV-F-800. Residual fuels and furnace oils, generally, are not considered satisfactory for Detroit Diesel engines. In some regions, however, fuel suppliers may distribute one fuel that is marketed as either diesel fuel (ASTM D-975) or domestic heating fuel (ASTM D-396) sometimes identified as furnace oil. In this case, the fuel should be investigated to determine whether the properties conform with those shown in the "FUEL OIL SELECTION CHART" presented in this specification.

The "FUEL OIL SELECTION CHART" also will serve as a guide in the selection of the proper fuel for various applications. The fuels used must be clean, completely distilled, stable, and non-corrosive. DISTILLATION RANGE, CETANE NUMBER, and SULFUR CONTENT are three of the most important properties of diesel fuels that must be controlled to insure optimum combustion and minimum wear. Engine speed, load, and ambient temperature influence the selection of fuels with respect to distillation range and cetane number. The sulfur content of the fuel must be as low as possible to avoid excessive deposit formation, premature wear, and to minimize the sulfur dioxide exhausted into the atmosphere.

To assure that the fuel you use meets the required properties, enlist the aid of a reputable fuel oil supplier. The responsibility for clean fuel lies with the fuel supplier as well as the operator.

During cold weather engine operation, the cloud point (the temperature at which wax crystals begin to form in diesel fuel) should be 10°F (6°C) below the lowest expected fuel temperature to prevent clogging of the fuel filters by wax crystals.

At temperatures below -20°F (-29°C), consult an authorized Detroit Diesel Allison service outlet, since particular attention must be given to the cooling system, lubricating system, fuel system, electrical system, and cold weather starting aids for efficient engine starting and operation.

FUEL OIL SELECTION CHART

Typical Application	General Fuel Classification	Final Boiling Point	Cetane No.	Sulfur Content
City Buses	No. 1-D	(Max) 550° F (288° C)	(Min) 45	(Max) 0.30%
All Other Applications	Winter No. 2-D Summer No. 2-D	675° F 675° F (357° C)	45 40	0.50% 0.50%

NOTE: When prolonged idling periods or cold weather conditions below 32° F (0° C) are encountered, the use of lighter distillate fuels may be more practical. The same consideration must be made when operating at altitudes above 5,000 ft.

DETROIT DIESEL LUBRICATING OIL SPECIFICATIONS

GENERAL CONSIDERATIONS

All diesel engines require heavy-duty lubricating oils. Basic requirements of such oils are:

- Lubricating Quality
- High Heat Resistance
- Control of Contaminants

LUBRICATING QUALITY. The reduction of friction and wear by maintaining an oil film between moving parts is the primary requisite of a lubricant. Film thickness and its ability to prevent metal-to-metal contact of moving parts is related to oil viscosity. The optimums for Detroit Diesel engines are SAE 40 or 30 weight.

HIGH HEAT RESISTANCE. Temperature is the most important factor in determining the rate at which deterioration or oxidation of the lubricating oil will occur. The oil should have adequate thermal stability at elevated temperatures, thereby precluding formation of harmful carbonaceous and/or ash deposits.

CONTROL OF CONTAMINANTS. The piston and compression rings must ride on a film of oil to minimize wear and prevent cylinder seizure. At normal rates of consumption, oil reaches a temperature zone at the upper part of the piston where rapid oxidation and carbonization can occur. In addition, as oil circulates through the engine, it is continuously contaminated by soot, acids, and water originating from combustion. Until they are exhausted, detergent and dispersant additives aid in keeping sludge and varnish from depositing on engine parts. But such additives in excessive quantities can result in detrimental ash deposits. If abnormal amounts of insoluble deposits form, particularly on the piston in the compression ring area, early engine failure may result.

Oil that is carried up the cylinder liner wall is normally consumed during engine operation. The oil and additives leave carbonaceous and/or ash deposits when subjected to the elevated temperatures of the combustion chamber. The amount of deposits is influenced by the oil composition, additive content, engine temperature, and oil consumption rate.

DETROIT DIESEL LUBRICATING OIL SPECIFICATIONS

OIL QUALITY

OIL QUALITY is the responsibility of the oil supplier. (The term *oil supplier* is applicable to refiners, blenders, and rebranders of petroleum products, and does not include distributors of such products.)

There are hundreds of commercial crankcase oils marketed today. Obviously, engine manufacturers or users cannot completely evaluate the numerous commercial oils. The selection of a suitable lubricant in consultation with a reliable oil supplier, observance of his oil

drain recommendations (based on used oil sample analysis and experience) and proper filter maintenance, will provide the best assurance of satisfactory oil performance.

Detroit Diesel Allison lubricant recommendations are based on general experience with current lubricants of various types and give consideration to the commercial lubricants presently available.

RECOMMENDATION

Detroit Diesel engines have given optimum performance and experienced the longest service life with the following oil performance levels having the ash and zinc limits shown:

Former Military Identification	API Letter Code Service Classification	SAE Grade
MIL-L-2104B/1964MS *	CC/SC	40 or 30 *
Supplement 1 **	CB	40 or 30 *

*Military Specification MIL-L-2104B is obsolete and new developed products can no longer be qualified to meet this performance level. However, many lubricants formulated to meet the performance criteria of MIL-L-2104B/1964MS are still being marketed. Detroit Diesel engines have given optimum performance and experienced the longest service life using MIL-L-2104B/1964MS lubricants. The majority of MIL-L-2104B/1964MS lubricants have a sulfated ash content between 0.55 and 0.85 percent by weight.

**Supplement 1 oils have a history of very satisfactory performance in Detroit Diesel engines. Supplement 1 oils have a relatively low ash content. However, the Supplement 1 oil specification is obsolete and new products cannot be qualified to meet this performance level. Some older formulations are still distributed and used by Detroit Diesel engine customers.

•SAE 40 grade oil has performed satisfactorily and is recommended in Detroit Diesel engines. Obviously, the expected ambient temperatures and engine cranking capability must be considered by the engine owner/operator when selecting the proper grade of oil. Only when the ambient temperatures and engine cranking capabilities result in difficult starting should SAE 30 grade oil be used.

ASH LIMIT

The sulfated ash (ASTM D-874) limit of all the lubricants recommended or selected as alternates for use in Detroit Diesel engines shall not exceed 1.000 percent by weight, except lubricants that contain only barium detergent-dispersant salts where 1.500 percent by weight is allowed. Lubricants having a sulfated ash content between 0.55 and 0.85 percent by weight have a history of excellent performance in Detroit Diesel engines. Lubricants having a sulfated ash content greater than 0.85 percent by weight are prone to produce greater deposit levels in the ring belt and exhaust valve areas of the engine.

ZINC CONTENT

The zinc content, as zinc dialkylthiophosphate, of all the lubricants recommended or selected as alternates for use in Detroit Diesel engines shall be a minimum of 0.07 percent by weight. However, where EMD or RR oils are used in marine service applications, the minimum zinc content is not required.

ALTERNATE LUBRICANT SELECTIONS

Current Military or Industry Accepted Identification	API Letter Code Service Classification	SAE Grade
MIL-L-2104C ***	CD SE	40 or 30
MIL-L-46162 ***	CC SE	40 or 30
Universal ***	Numerous	40 or 30

***Some lube suppliers have superseded the obsolete MIL-L-2104B oils with either MIL-L-2104C, MIL-L-46162, or Universal lubricants. Generally, all of the above oil performance levels contain a higher sulfated ash content than the older MIL-L-2104B, 1964MS lubricants. Ring belt and exhaust valve deposits are usually greater when higher ash lubricants are used. Excessive deposit formation in these areas may result in stuck rings and/or guttered valves.

MIL-L-2104C, MIL-L-46162, or Universal lubricants may be used if they meet the sulfated ash and zinc limits shown elsewhere in this specification and sufficient evidence of satisfactory performance in Detroit Diesel engines has been provided to the customer by the oil supplier.

LUBRICANTS NOT RECOMMENDED

The following lubricants are NOT recommended because of a history of poor performance in Detroit Diesel engines.

Former Military or Industry Accepted Identification	API Letter Code Service Classification	Comment on Performance
MIL-L-2104B (1964MS)	CC SD	Excessive ash deposits formed
MIL-L-46164B (Series 1)	CC	Excessive ash deposits formed
All Multigrade Oils	Numerous	History of poor performance

MULTIGRADE OILS

Detroit Diesel does NOT recommend the use of multigrade oils. Recent investigations with some multigrade oils indicate they do NOT, generally, exhibit the unscuffing and antiwear properties obtained from straight SAE 40 and 30 grade oils operating in the same service applications. Neither fuel or oil consumption rates were improved using multigrade lubricants. Detroit Diesel engines literally create their own environment after they have been started and warmed up. It is during the operational mode under load that the straight SAE 40 and 30 grade lubricants have provided more satisfactory service than multigrade oils. Detroit Diesel will continue to investigate the performance of multigrade oils.

SYNTHETIC OILS

The performance of single grade (e.g., SAE 40 or 30) synthetic oils is comparable to the performance of single grade mineral base oils. However, where low viscosity lubricants are required for cold starting, synthetic multigrade oils have shown significantly improved performance over mineral base multigrade oils. Multigrade synthetic oils are not as satisfactory as single grade mineral or synthetic SAE 40 or 30 oils where the latter can be used.

If a lubricant meets MIL-L-2104B or MIL-L-2104C or performance requirements and the sulfated ash and zinc limits shown elsewhere in this specification, it qualifies for use in Detroit Diesel engines. The base stock may be either mineral or synthetic. It is the performance level (i.e., MIL-L-2104B) and properties (i.e., ash and zinc contents) that are significant. Refer to MIL-L-46167 Arctic Lube Oil Section of this specification.

COLD WEATHER OPERATION

Cold weather starting will be facilitated when immersion type electrical coolant heaters can be used. Other practical considerations such as the use of batteries, cables and connectors of adequate size, generators or alternators of ample capacity, proper setting of voltage regulators, other starting aids, oil and coolant heater systems, and proper fuel selection will accomplish starting with the use of SAE 40 or SAE 30 oils. For complete cold weather starting information, consult an authorized Detroit Diesel Allison service outlet. Ask for Engineering Bulletin No. 38 entitled, *Cold Weather Operation of Detroit Diesel Engines*.

MIL-L-46167 ARCTIC LUBE OILS FOR NORTH SLOPE & OTHER EXTREME SUB-ZERO OPERATIONS

The MIL-L-46167 specification was published by the Military on 15 February, 1974. Federal Test Method 354 of Federal Test Standard 991 is an integral test requirement of MIL-L-46167. *Lubricants that have passed the oil performance requirement limits of Method 354 may be used where continuous sub-zero temperatures prevail and where engines are shut down for periods longer than eight (8) hours. The lubricants that have shown the best performance when subjected to Method 354 evaluation may be described as multigrades having a synthetic base stock and low volatility characteristics. These lubricants are not comparable to the performance of SAE 40 or 30 oils after the engine has started and is operating at normal engine temperature conditions. For this reason, MIL-L-46167 lubricants should be considered only as a last resort when engine starting is a severe problem and auxiliary heating aids are not available.*

EMD OR RR OILS

Lubricants specified by Electric Motive Division of General Motors Corporation (EMD) are special lubricants. Generally, these may be described as SAE 40 fluids that possess low viscosity index (VI) properties

and do not contain any or very low concentrations of zinc ingredients. They are identified by industry as EMD or railroad (RR) oils. They are an approved option for Series 149 engines in all marine applications and for all other model Detroit Diesel engines used for auxiliary power in marine service applications.

OIL CHANGES

Oil change intervals are dependent upon the various operating conditions of the engines and the sulfur content of the diesel fuel used. Oil drain intervals in all service applications may be increased or decreased with experience using a specific lubricant, while also considering the recommendations of the oil supplier. Generally, the sulfur content of diesel fuels supplied throughout the U.S.A. and Canada are low (i.e., less than 0.5 per cent by weight—ASTM D-129 or D-1552 or D-2622). Fuels distributed in some overseas locations may contain higher concentrations of sulfur, the use of which will require reduced lube oil drain intervals.

Highway Trucks & Inter-City Buses (Series 53, 71, and 92 Naturally Aspirated and Turbocharged Engines)

For highway trucks and buses, used for inter-city operation, the oil change interval is 100,000 miles. The drain interval may be extended beyond this point if supported by the results obtained from used lube oil analysis; it is recommended that you consult with your lube oil supplier in establishing any drain interval exceeding 100,000 miles.

City Transit Coaches and Pick-Up and Delivery Truck Service (Series 53, 71, and 92 Naturally Aspirated and Turbocharged Engines)

For city transit coaches and pick-up and delivery truck service, the oil change interval is 12,500 miles. The oil drain interval may be extended beyond 12,500 miles if supported by used oil analyses.

Industrial and Marine (Series 53, 71, and 92 Naturally Aspirated and Turbocharged Engines)

Series 53, 71, and 92 engines, in industrial and marine service, should be started with 150-hour oil change periods. The oil drain intervals may be extended if supported by used oil analyses.

Large Industrial and Marine (Series 149 Naturally Aspirated and Turbocharged Engines)

The recommended oil change period for naturally aspirated Series 149 engines is 500 hours, while the change period for turbocharged Series 149 engines is 300 hours. These drain intervals may be extended if supported by used oil analyses.

Used Lube Oil Analysis Warning Values

The presence of ethylene glycol in the oil is damaging to the engine. Its presence and need for an oil change and for corrective maintenance action may be confirmed by glycol detector kits which are commercially available.

Fuel dilution of the oil may result from loose fuel connections or from prolonged engine idling. A fuel dilution exceeding 2.5 percent by volume indicates an immediate need for an oil change and corrective maintenance action. Fuel dilution may be confirmed by ASTM D-322 test procedure performed by oil suppliers or independent laboratories.

In addition to the above considerations, if any of the following occur, the oil should be changed:

1. The viscosity at 100° F. of a used oil sample is 40 percent greater than the viscosity of the unused oil measured at the same temperature (ASTM D-445 and D-2161).
2. The iron content is greater than 150 parts per million.
3. The pentane insolubles (total contamination) exceed 1.00 percent by weight (ASTM D-893).
4. The total base number (TBN) is less than 1.0 (ASTM D-664). Note: The sulfur content of the diesel fuel used will influence the alkalinity of the lube oil. With high sulfur fuels, the oil drain interval will have to be shortened to avoid excessive acidity in the lube oil.

LUBE OIL FILTER ELEMENT CHANGES

Full-Flow Filters

A full-flow oil filtration system is used in all Detroit Diesel engines. To insure against physical deterioration of the filter element, it should be replaced at a *maximum* of 25,000 miles for on-highway vehicles or at each oil change period, whichever occurs first. For all other applications, the filter should be replaced at a *maximum* of 500 hours or at each oil change period, whichever occurs first.

By-Pass Filters

Auxiliary by-pass lube oil filters are not required on Detroit Diesel engines.

NEW ENGINE OIL CLASSIFICATION SYSTEM

A relatively new engine oil classification system has been introduced to industry that describes the criteria required to meet each performance level. A simplified cross-reference of oil and current commercial and military specifications is shown below.

CROSS-REFERENCE OF LUBE OIL CLASSIFICATION SYSTEMS

API Code Letters	Comparable Military or Commercial Industry Spec.
CA	MIL-L-2104A
CB	Supplement 1
CC	MIL-L-2104B (see Note below)
CD	MIL-L-45199B (Series 3)
‡	MIL-L-46152 (supersedes MIL-L-2104B for Military only)
■	MIL-L-2104C (supersedes MIL-L-45199B for Military only)
SA	none
SB	none
SC	1964 MS oils — Auto passenger car
SD	1968 MS oils — Auto passenger car
SE	1972 MS oils — Auto passenger car

‡ Oil performance meets or exceeds that of CC and SE oils.

■ Oil performance meets or exceeds that of CD and SC oils.

NOTE: MIL-L-2104B lubricants are currently marketed and readily available for commercial use. MIL-L-2104B lubricants are obsolete for Military service applications only.

Consult the following publications for complete descriptions:

1. Society of Automotive Engineers (SAE) Technical Report J-183a.
2. Federal Test Method Standard 791a.

PUBLICATION AVAILABLE SHOWING COMMERCIAL "BRAND" NAME LUBRICANTS

A list of "brand" name lubricants distributed by the majority of worldwide oil suppliers can be purchased from the Engine Manufacturers Association (EMA). The publication is titled, *EMA Lubricating Oils Data Book for Heavy-Duty Automotive and Industrial Engines*. The publication shows the brand names, oil performance levels, viscosity grades, and sulfated ash contents of most "brands" marketed.

ENGINE MANUFACTURERS ASSOCIATION
111 EAST WACKER DRIVE
CHICAGO, ILLINOIS 60601

STATEMENT OF POLICY ON FUEL AND LUBRICANT ADDITIVES

In answer to requests concerning the use of fuel and lubricating oil additives, the following excerpt has been taken from a policy statement of General Motors Corporation:

"It has been and continues to be General Motors policy to build motor vehicles that will operate satisfactorily on the commercial fuels and lubricants of good quality regularly provided by the petroleum industry through retail outlets."

Therefore, Detroit Diesel Allison does not recommend the use of any supplementary fuel or lubricant additives. These include all products marketed as fuel conditioners, smoke suppressants, masking agents, reodorants, tune-up compounds, top oils, break-in oils, graphitizers, and friction-reducing compounds.

NOTE: The manufacturer's warranty applicable to Detroit Diesel engines provides in part that the provisions of such warranty shall not apply to any engine unit which has been subject to misuse, negligence or accident. Accordingly, malfunctions attributable to neglect or failure to follow the manufacturer's fuel or lubricating recommendations may not be within the coverage of the warranty.

SERVICE AND INSPECTION INTERVALS

Generally, operating conditions will vary for each engine application, even with comparable mileage or hours and, therefore, maintenance schedules can vary. A good rule of thumb for piston, ring, and liner inspections, however, would be at 45,000 miles or 1500 hours for the first such inspection and at 30,000 miles or 1000 hour intervals thereafter.

ENGINE COOLANT

Engine coolant is considered as any solution which is circulated through the engine to provide the means for heat transfer from the various engine components. In general, water containing various materials in solution is used for this purpose.

The function of the coolant is basic to the design and to the successful operation of the engine. Therefore, coolant must be carefully selected and properly maintained.

COOLANT REQUIREMENTS

A suitable coolant solution must meet the following basic requirements:

1. Provide for adequate heat transfer.
2. Provide a corrosion resistant environment within the cooling system.
3. Prevent formation of scale or sludge deposits in the cooling system.
4. Be compatible with the cooling system hose and seal materials.
5. Provide adequate freeze protection during cold weather operation.

The first four requirements are satisfied by combining a suitable water with reliable inhibitors. When operating conditions dictate the need for freeze protection, a solution of suitable water and a permanent type antifreeze containing adequate inhibitors will provide a satisfactory coolant.

WATER

Any water, whether of drinking quality or not, will produce a corrosive environment in the cooling system. Also, scale deposits may form on the internal surfaces of the cooling system due to the mineral content of the water. Therefore, water selected as a coolant must be properly treated with inhibitors to control corrosion and scale deposition.

To determine if a particular water is suitable for use as a coolant when properly inhibited, the following characteristics must be considered: the concentration of chlorides, sulfates, total hardness and dissolved solids. Chlorides and/or sulfates tend to accelerate corrosion, while hardness (percentage of magnesium and calcium present) causes deposits of scale. Total dissolved solids may cause scale deposits, sludge deposits, corrosion or a combination of these.

Chlorides, sulfates, magnesium and calcium are among but not necessarily all the materials which make up dissolved solids. Water, within the limits specified in Tables 1 and 2 of Fig. 1, is satisfactory as an engine coolant when proper inhibitors are added.

CORROSION INHIBITORS

A corrosion inhibitor is a water soluble chemical compound which protects the metallic surfaces of the cooling system against corrosive attack. Some of the more commonly used corrosion inhibitors are chromates, borates, nitrates, nitrites and soluble oil. Depletion of all types of inhibitors occur through

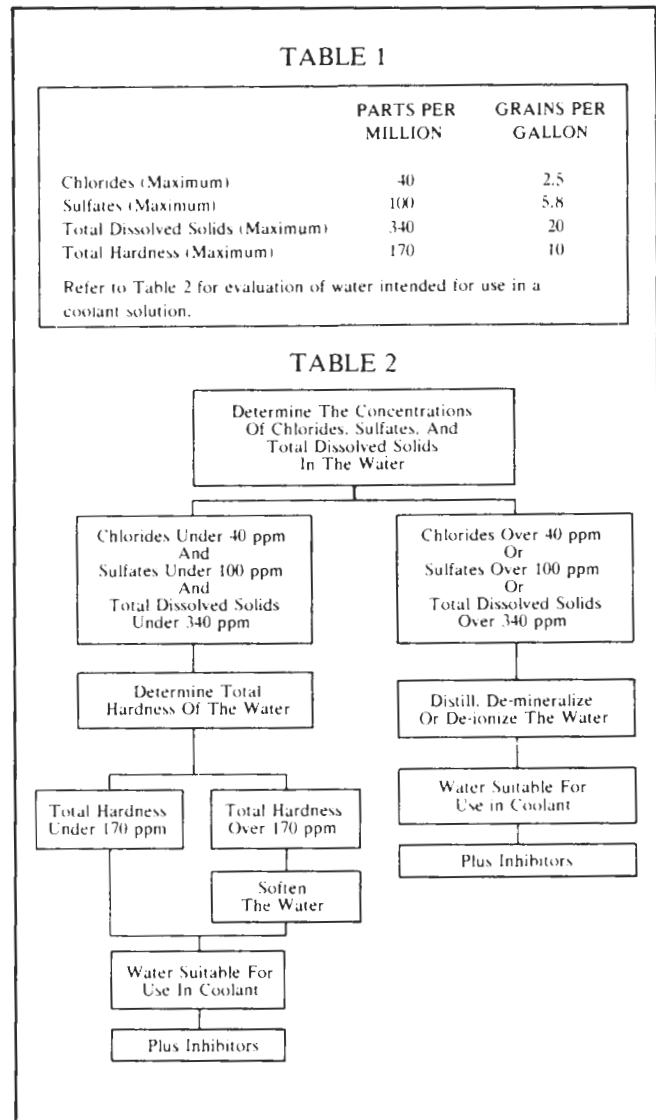


Fig. 1 - Water Characteristics

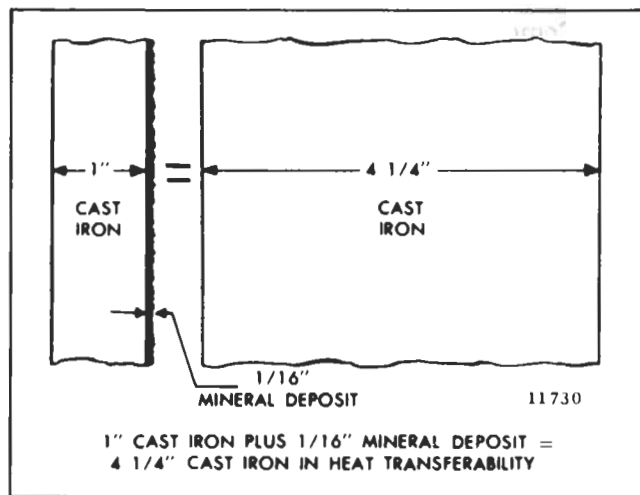


Fig. 2 - Heat Transfer Capacity

normal operation. Therefore, strength levels must be maintained by the addition of inhibitors at prescribed intervals. Always follow the supplier's recommendations on inhibitor usage and handling.

Chromates

Sodium chromate and potassium dichromate are two of the best and most commonly used *water* system corrosion inhibitors. However, the restricted use of these materials, due to ecology considerations, has de-emphasized their use in favor of non-chromates. Care should be exercised in handling these materials due to their toxic nature.

Chromate inhibitors should *not* be used in permanent type antifreeze solutions. Chromium hydroxide, commonly called "green slime", can result from the use of chromate inhibitors with permanent type antifreeze. This material deposits on the cooling system passages, reducing the heat transfer rate (Fig. 2), and results in engine overheating. Engines which have operated with a chromate-inhibited water must be chemically cleaned before the addition of permanent type antifreeze. A commercial heavy duty de-scaler should be used in accordance with the manufacturer's recommendation for this purpose.

Soluble Oil

Soluble oil has been used as a corrosion inhibitor for many years. It has, however, required very close attention relative to the concentration level due to adverse effects on heat transfer if the concentration exceeds 1% by volume. For example: 1-1/4% of soluble oil in the cooling system increases fire deck temperatures 6% and a 2-1/2% concentration raises

fire deck temperature up to 15%. Soluble oil is *not* recommended as a corrosion inhibitor.

Non-Chromates

Non-chromate inhibitors (borates, nitrates, nitrites, etc.) provide corrosion protection in the cooling system with the basic advantage that they can be used with either water or a water and permanent type antifreeze solution.

INHIBITOR SYSTEMS

An inhibitor system (Fig. 3) is a combination of chemical compounds which provide corrosion protection, pH control and water softening ability. Corrosion protection is discussed under the heading *Corrosion Inhibitors*. The pH control is used to maintain an acid-free solution. The water softening ability deters formation of mineral deposits. Inhibitor systems are available in various forms such as coolant filter elements, liquid and dry bulk inhibitor additives, and as an integral part of permanent type antifreeze.

Coolant Filter Elements

Replaceable elements are available with various chemical inhibitor systems. Compatibility of the element with other ingredients of the coolant solution cannot always be taken for granted.

Problems have developed from the use of the magnesium lower support plate used by some manufacturer's in their coolant filters. The magnesium plate will be attacked by solutions which will not be detrimental to other metals in the cooling system. The dissolved magnesium will be deposited in the hottest zones of the engine where heat transfer is most critical. The use of an aluminum or zinc support plate in preference to magnesium is recommended to eliminate the potential of this type of deposit.

High chloride coolants will have a detrimental effect on the water softening capabilities of systems using ion-exchange resins. Accumulations of calcium and magnesium ions removed from the coolant and held captive by the zeolite resin can be released into the coolant by a regenerative process caused by high chloride content solutions.

Bulk Inhibitor Additives

Commercially packaged inhibitor systems are available which can be added directly to the engine coolant or to bulk storage tanks containing coolant solution.

Inhibitor or Inhibitor System	Corrosion Inhibitor Type	Inhibitor Compatibility		
		Complete Inhibitor System	Water	Ethylene Glycol Base Antifreeze
Sodium chromate	Chromate	No	Yes	No
Potassium dichromate	Chromate	No	Yes	No
Perry filter elements:				
5020 (Type OS)	Chromate	Yes	Yes	No
S-453 (Spin on)	Chromate	Yes	Yes	No
S-373 (Spin on)	Non-chromate	Yes	Yes	Yes
5070 (Type OS)	Non-chromate	Yes	Yes	Yes
S-473 (Spin on)	Non-chromate	Yes	Yes	Yes
Lenroc filter element	Non-chromate	Yes	Yes	Yes
Fleetguard filter elements:				
DCA (Canister)	Non-chromate	Yes	Yes	Yes
DCA (Spin on)	Non-chromate	Yes	Yes	Yes
AC Filter elements:				
DCA (Canister)	Non-chromate	Yes	Yes	Yes
DCA (Spin on)	Non-chromate	Yes	Yes	Yes
Luber-Finer filter elements:				
LW-4739 (Canister)	Non-chromate	Yes	Yes	Yes
LFW-4744 (Spin on)	Non-chromate	Yes	Yes	Yes
Nalcool 2000 (Liquid)	Non-chromate	Yes	Yes	Yes
Perry LP-20 (liquid)	Non-chromate	Yes	Yes	Yes
Sy-Cool (liquid)	Non-chromate	Yes	Yes	Yes
Lubercool (liquid)	Non-chromate	Yes	Yes	Yes
DuBois Chemicals IWT-48 (liquid)	Non-chromate	Yes	Yes	Yes
Norman Chemicals C15 (liquid)	Non-chromate	Yes	Yes	Yes
Aqua-Tane(liquid)	Non-chromate	Yes	Yes	Yes

Caution: Do not use methoxy propanol base antifreeze in Detroit Diesel engines.

Fig. 3 - Coolant Inhibitor Chart

Both chromate and non-chromate systems are available and care should be taken regarding inhibitor compatibility with other coolant constituents.

site test to determine protection level and, since they are added directly to the coolant, require no additional hardware or plumbing.

Non-chromate inhibitor systems are recommended for use in Detroit Diesel engines. These systems can be used with either water or permanent type antifreeze solutions and provide corrosion protection, pH control and water softening. Some non-chromate inhibitor systems offer the additional advantage of a simple on

ANTIFREEZE

When freeze protection is required, a permanent type antifreeze must be used. An inhibitor system is included in this type of antifreeze and no additional

inhibitors are required on initial fill if a minimum antifreeze concentration of 30% by volume is used. Solutions of less than 30% concentration do not provide sufficient corrosion protection. Concentrations over 67% adversely affect freeze protection and heat transfer rates (Fig. 4).

Methoxy propanol base antifreeze is *not recommended* for use in Detroit Diesel engines due to the presence of fluoroelastomer (Viton®) seals in the cooling

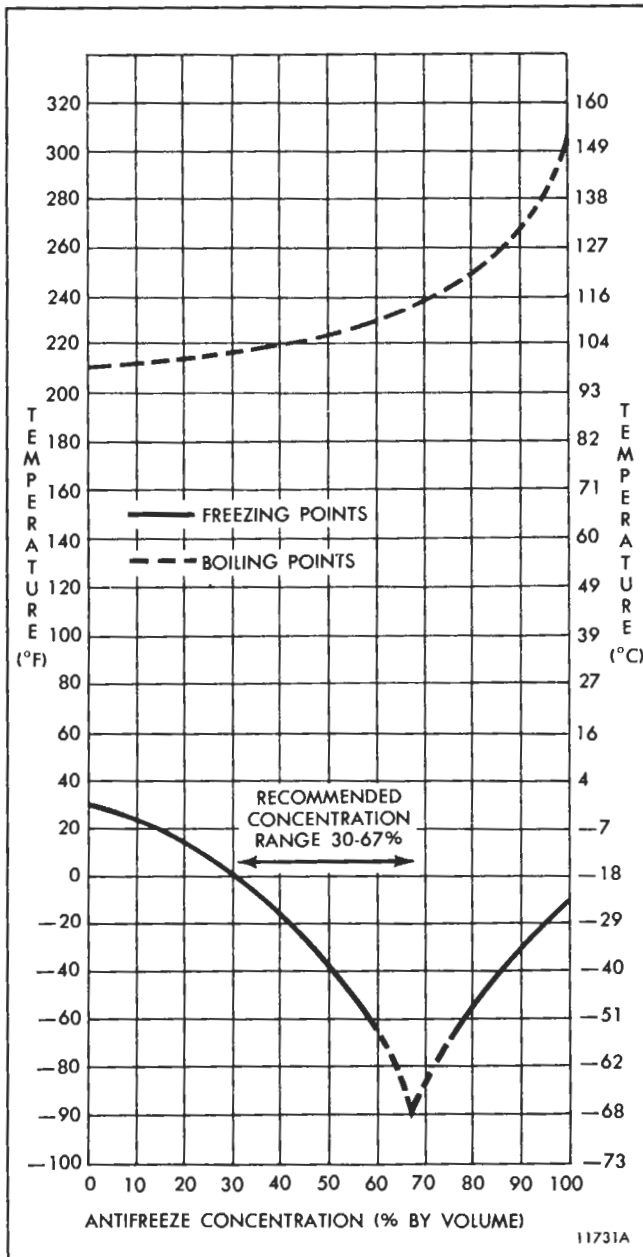


Fig. 4 - Coolant Freezing and Boiling Temperatures vs. Antifreeze Concentration (Sea Level)

system. Before installing ethylene glycol base antifreeze in an engine previously operated with methoxy propanol, the entire cooling system should be drained, flushed with clean water and examined for rust, scale, contaminants, etc. If deposits are present, the cooling system must be chemically cleaned with a commercial grade heavy-duty de-scaler.

Ethylene glycol base antifreeze is recommended for use in Detroit Diesel engines. Methyl alcohol antifreeze is *not recommended* because of its effect on the non-metallic components of the cooling system and because of its low boiling point.

The inhibitors in permanent type antifreeze should be replenished at approximately 500 hour or 20,000 mile intervals with a non-chromate inhibitor system. Commercially available inhibitor systems (Fig. 2) may be used to re-inhibit antifreeze solutions.

Sealer Additives

Several brands of permanent antifreeze are available with sealer additives. The specific type of sealer varies with the manufacturer. Antifreeze with sealer additives is *not recommended* for use in Detroit Diesel engines due to possible plugging throughout various areas of the cooling system.

GENERAL RECOMMENDATIONS

All Detroit Diesel engines incorporate pressurized cooling systems which normally operate at temperatures higher than non-pressurized systems. It is essential that these systems be kept clean and leakfree, that filler caps and pressure relief mechanisms be correctly installed at all times and that coolant levels be properly maintained.

WARNING: Use extreme care when removing a coolant pressure control cap from an engine. The sudden release of pressure from a heated cooling system can result in a loss of coolant and possible personal injury (scalding) from the hot liquid.

1. Always use a properly inhibited coolant.
2. Do not use soluble oil.
3. Maintain the prescribed inhibitor strength.
4. Always follow the manufacturer's recommendations on inhibitor usage and handling.
5. If freeze protection is required, always use a permanent type antifreeze.

6. Re-inhibit antifreeze with a recommended non-chromate inhibitor system.
7. Do not use a chromate inhibitor with permanent type antifreeze.
8. Do not use methoxy propanol base antifreeze in Detroit Diesel engines.
9. Do not mix ethylene glycol base antifreeze with methoxy propanol base antifreeze in the cooling system.
10. Do not use an antifreeze containing sealer additives.
11. Do not use methyl alcohol base antifreeze.
12. Use extreme care when removing the coolant pressure control cap.

SECTION 14 ENGINE TUNE-UP

CONTENTS

Engine Tune-Up Procedures and Emission Regulations	14
Exhaust Valve Clearance Adjustment.....	14.1
Fuel Injector Timing.....	14.2
Limiting Speed Mechanical Governor and Injector Rack Control Adjustment:..	
6 and 8V.....	14.3
16V Engine.....	14.3.1
Variable Low-Speed	14.3.3
Governor Settings for Fuel Squeezer TT Engines.....	14.3.5
Variable Speed Mechanical Governor and Injector Rack Control Adjustment:..	
6 and 8V.....	14.4
16V Engine.....	14.4.1
Hydraulic Governor and Injector Rack Control Adjustment (6 and 8V)	14.7.2
Hydraulic Governor and Injector Rack Control Adjustment (16V).....	14.7.3
Supplementary Governing Device Adjustment:	
Engine Load Limit Device.....	14.14
Power Control Device.....	14.14
Throttle Delay Mechanism	14.14
Governor Shutdown Solenoid.....	14.14

ENGINE TUNE-UP PROCEDURES

There is no scheduled interval for performing an engine tune-up. As long as the engine performance is satisfactory, no tune-up should be needed. Minor adjustments in the valve and injector operating mechanism, governor, etc. should only be required periodically to compensate for normal wear on parts.

To comply with emissions regulations for on-highway vehicle engines, injector timing, exhaust valve clearance, engine idle and no-load speeds, and throttle delay or fuel modulator settings must be checked and adjusted, if necessary, at 50,000 mile intervals (refer to Section 15.1).

The type of governor used depends upon the engine application. Since each governor has different characteristics, the tune-up procedure varies accordingly. The following types of governors are used:

1. Limiting speed mechanical.

2. Variable speed mechanical.

3. Hydraulic.

The mechanical governors are identified by a name plate attached to the governor housing. The letters D.W.-L.S. stamped on the name plate denote a double-weight limiting speed governor. A single-weight variable speed governor name plate is stamped S.W.-V.S.

Normally, when performing a tune-up on an engine in service, it is only necessary to check the various adjustments for a possible change in the settings. However, if a cylinder head, governor or injectors have been replaced or overhauled, then certain preliminary adjustments are required before the engine is started.

The preliminary adjustments consist of the first four items in the tune-up sequence. The procedures are the

same except that the valve clearance is greater for a cold engine.

NOTE: If a supplementary governing device, such as the throttle delay mechanism, is used, it must be disconnected prior to the tune-up. After the governor and injector rack adjustments are completed, the supplementary governing device must be re-connected and adjusted.

To tune-up an engine completely, perform all of the adjustments in the applicable tune-up sequence given below after the engine has reached normal operating temperature. Since the adjustments are normally made while the engine is stopped, it may be necessary to run the engine between adjustments to maintain normal operating temperature.

Use new valve rocker cover gaskets after the tune-up is completed.

Tune-Up Sequence for Mechanical Governor

NOTE: Before starting an engine after an engine speed control adjustment or after removal of the engine governor cover, the serviceman must determine that the injector racks move to the no-fuel position when the governor stop lever is placed in the stop position. Engine overspeed will result if the injector racks cannot be positioned at no-fuel with the governor stop lever.

CAUTION: An overspeeding engine can result in engine damage which could cause personal injury.

1. Adjust the exhaust valve clearance.
2. Time the fuel injectors.
3. Adjust the governor gap.
4. Position the injector rack control levers.
5. Adjust the maximum no-load speed.
6. Adjust the idle speed.
7. Adjust the Belleville spring for "TT" horsepower.
8. Adjust the buffer screw.
9. Adjust the throttle booster spring (variable speed governor only).
10. Adjust the supplementary governing device, if used.

Tune-up Sequence for Hydraulic Governor

1. Adjust the exhaust valve clearance.
2. Time the fuel injectors.
3. Position the injector rack control levers.
4. Adjust the governor linkage.
5. Adjust the load limit screw.
6. Compensation adjustment (PSG governors only).
7. Adjust the speed droop.
8. Adjust the maximum no-load speed.

EMISSIONS REGULATIONS FOR ON-HIGHWAY VEHICLE ENGINES

On-highway vehicle engines built by Detroit Diesel Allison are certified to be in compliance with Federal and California Emission Regulations established for each model year.

Engine certification is dependent on five physical characteristics:

1. Fuel injector type.
2. Maximum full-load engine speed.
3. Camshaft timing.
4. Fuel injector timing.

5. Throttle delay (orifice size).

Tables 1 through 6 summarize all of the pertinent data concerning the specific engine configurations required for each model year.

When serviced, all on-highway vehicle engines should comply with the specifications for the specific model year in which the engine was built.

Trucks in a fleet containing engines of various model years can be tuned to the latest model year, provided the engines have been updated to meet the specifications for that particular year.

Engine	Injectors	*Maximum Full-Load Engine Speed	Camshaft Timing	Injector Timing	Injector Timing Gage	Throttle Delay	Yield Link
6V, 8V	9270	2100	Standard	1.460"	J 1853	No	No
6V, 8V	9275	2100	Standard	1.460"	J 1853	No	No
6V, 8V	9280	2100	Standard	1.460"	J 1853	No	No
6VT, 8VT	9280	2100	Standard	1.484"	J 1242	‡ Yes	Yes
6V, 8V	9285	2100	Standard	1.460"	J 1853	No	No
6VT, 8VT	9285	2100	Standard	1.484"	J 1242	‡ Yes	Yes
6VT, 8VT	9290	2100	Standard	1.484"	J 1242	‡ Yes	Yes

* Not to exceed fuel injector size and maximum operating speed that has been established for the specific application of the engine.

‡ .078" diameter fill hole, .016" diameter discharge orifice.

Use minimum idle speed of 500 rpm on all engines.

TABLE 1 - 1974 ENGINES (Federal)

FEDERAL							
Engine	Injectors	*Maximum Full-Load Engine Speed	Camshaft Timing	Injector Timing	Injector Timing Gage	Throttle Delay	Yield Link
6V, 8V	9270	2100	Standard	1.460"	J 1853	No	No
6V, 8V	9275	2100	Standard	1.460"	J 1853	No	No
6V, 8V	9280	2100	Standard	1.460"	J 1853	No	No
6VT, 8VT	9280	2100	Standard	1.484"	J 1242	‡ Yes	Yes
6V, 8V	9285	2100	Standard	1.460"	J 1853	No	No
6VT, 8VT	9285	2100	Standard	1.484"	J 1242	‡ Yes	Yes
6VT, 8VT	9290	2100	Standard	1.484"	J 1242	‡ Yes	Yes
FEDERAL AND CALIFORNIA							
6VTA, 8VTA	9280	2100	Standard	1.484"	J 1242	§‡ Yes	Yes
6VTA, 8VTA	9285	2100	Standard	1.484"	J 1242	§‡ Yes	Yes
6VTA, 8VTA	9290	2100	Standard	1.484"	J 1242	§‡ Yes	Yes

* Not to exceed fuel injector size and maximum operating speed that has been established for the specific application of the engine.

‡ .078" diameter fill hole, .016" diameter discharge orifice.

§ Offset piston linkage.

Use minimum idle speed of 500 rpm on all engines, except coach engines where a minimum of 400 rpm is allowed.

TABLE 2 - 1975 ENGINES (Federal and California)

Engine	CALIFORNIA				FEDERAL							
	6V-92TA Aftercooled		8V-92TA Aftercooled		6V-92	8V-92	6V-92T			8V-92T		
	TA	TTA	TA	TTA			T	OTM	TT	T	OTM	TT
Injectors	9A80 9A85 9A90	9A90	9280 9285 9290	9290	9270 9275 9280 9285	9270 9275 9280 9285	9280 9285 9290	9280 9285 9290	9290	9280 9285 9290	9280 9285 9290	9290
Approved Constant Horsepower for TTA Engines		270		365					240-270			365
*Maximum Full-Load Engine Speed	2100	▲ 1900 min. 1950 max.	2100	▲ 1900 min. 1950 max.	2100	2100	2100	2100	▲ 1900 min. 1950 max.	2100	2100	▲ 1900 min. 1950 max.
Camshaft Timing	Std.	Std.	Std.	Std.	Std.	Std.	Std.	Std.	Std.	Std.	Std.	Std.
Injector Timing	1.500"	1.500"	1.484"	1.484"	1.460"	1.460"	1.484"	1.484"	1.484"	1.484"	1.484"	1.484"
Throttle Delay Yield Link	‡ Req'd.	‡ Req'd.	‡ Req'd.	‡ Req'd.	Not Req'd.	Not Req'd.	‡ Req'd.	‡ Req'd.	‡ Req'd.	‡ Req'd.	‡ Req'd.	‡ Req'd.
Turbocharger A/R	TV 8102 1.08	TV 8102 1.08	TV 8101 1.60	TV 8101 1.60			T 18A40 1.14	TV 8102 1.23	TV 8102 1.23	T 18A40 1.50	TV 8101 1.84	TV 8101 1.84

* Use a minimum idle speed of 400 rpm on all coach engines with throttle delay, and a minimum idle speed of 500 rpm on all other automotive applications.

▲ TT (TTA) must have full load rpm within the range shown.

‡ .078" diameter fill hole, .016" diameter discharge orifice.

6V and 8V-92 engine cylinder liners have a 1.05" port height; 1.95:1 blower drive ratio (6V-92TA).

TABLE 3 - 1976 ENGINES (Federal and California)

Engine	6V-92		6V-92T			8V-92T			8V-92TA	
	6V-92	8V-92	T	OTM	TT	T	OTM	TT	T	TT
(a) Injectors	9270 9275 9280 9285	9270 9275 9280 9285	9280 9285 9290	9280 9285 9290	9290	9280 9285 9290	9280 9285 9290	9290 9A90	9290	9290
(a) Approved Minimum Constant Horsepower					Min. - Max. 240-270			365 (9290) 335 (9A90)		365
(a) Maximum Rated Speed	2100	2100	2100	2100	1950	2100	2100	2100 (9290)	2100	2100
(a) Minimum Rated Speed	2100 (9270) 1950 (9275) 1950 (9280) 2100 (9285)	2100 (9270) 1950 (9275) 1950 (9280) 2100 (9285)	2100 (9280) 1950 (9285) 1950 (9290)	2100 (9280) 1950 (9285) 1900 (9290)	1900	2100 (9280) 1950 (9285) 1950 (9290)	2100 (9280) 1950 (9285) 1900 (9290)	1800 (9A90)	1900	1900
Gear Train Timing	Std.	Std.	Std.	Std.	Std.	Std.	Std.	Std.	Std.	Std.
Injector Timing	1.460"	1.460"	1.484"	1.484"	1.484"	1.484"	1.484"	1.484"	1.484"	1.484"
Throttle Delay (Yield Link)	None	None	(f) % REQ.	(f) % REQ.	(f) % REQ.	(f) % REQ.	(f) % REQ.	(f) % REQ.	(f) % REQ.	(f) % REQ.
Setting			.636" (9290) .570" (9280 and 9285)		.636"	.636" (9290) .570" (9280 and 9285)		.636" (9290) .570" (9A90)	.636"	.636"
Liner Port Height	1.05"	1.05"	1.05"	1.05"	1.05"	1.05"	1.05"	1.05"	1.05"	1.05"
Compression Ratio	19:1	19:1	17:1	17:1	17:1	17:1	17:1	17:1	17:1	17:1
Blower Drive Ratio	2.6:1	2.6:1	2.05:1	2.05:1	2.05:1	2.05:1	2.05:1	2.05:1	2.05:1	2.05:1
Governor Type	Limiting Speed									
Thermostat	170-180° F (77-82° C) Nominal Opening Temperature									
Turbocharger A/R			T18A40 1.14	TV8102 1.23	TV8102 1.23	T18A90 1.50	TV8101 1.84	TV8101 1.84	TV8101 1.60	TV8101 1.60

(a) Not to exceed fuel injector size and maximum operating speed that has been established. No-load speed will vary with injector size and governor type.

(f) Small fill hole (.078" Dia.), .016" discharge orifice.

% Offset piston linkage.

Use minimum idle speed of 500 rpm on all engines, except coach engines where a minimum of 400 rpm is allowed.

TABLE 4 - 1977 ENGINES (Federal)

Engine	6V-92		8V-92	
	TA	TTA	TT	TTA
(a) Injectors	9A80 9A85 9A90	9A90	9A80 9A85 9A90	9A90
(a) Approved Minimum Constant Horsepower		Min. - Max. 240-270		335
(a) Maximum Rated Speed	2100	1950	2100	2100
(a) Minimum Rated Speed	1950	1900	1950	1800
Gear Train Timing	Std.	Std.	Std.	Std.
Injector Timing	1.484"	1.484"	1.484"	1.484"
Throttle Delay (Yield Link) Setting	(f) % REQ. .636" (9A90) .570" (9A80 and 9A85)	(f) % REQ. .636"	(f) % REQ. .636" (9A90) .570" (9A80 and 9A85)	(f) % REQ. .636"
Liner Port Height	.950"	.950"	.950"	.950"
Compression Ratio	17:1	17:1	17:1	17:1
Blower Drive Ratio	2.05:1	2.05:1	2.05:1	2.05:1
Governor Type	Limiting Speed			
Thermostat	170-180° F (77-82° C) Nominal Opening Temperature			
Turbocharger A/R	TV8102 1.08	TV8102 1.08	TV8101 1.60	TV8101 1.60

(a) Not to exceed fuel injector size and maximum operating speed that has been established. No-load speed will vary with injector size and governor type

(f) Small fill hole (.078" Dia.), .016" discharge orifice.

% Offset piston linkage.

Use minimum idle speed of 500 rpm on all engines, except coach engines where a minimum of 400 rpm is allowed.

TABLE 5 - 1977 ENGINES (California)

1978 CALIFORNIA CERTIFIED AUTOMOTIVE CONFIGURATIONS

ENGINE FAMILIES	6V-92TAC		8V-92TAC	
	TAC	TTAC	TAC	TTAC
INJECTORS (a)	9A80 9A85 9A90(g)	9A90(g)	9A80 9A85 9A90(g)	9A90(g)
APPROVED CONSTANT HORSEPOWER FOR TTAC ENGINES		240-270		335-365
MAXIMUM (b) FULL LOAD SPEED	2100	2100	2100	2100
MINIMUM FULL LOAD SPEED	1950	1900	1950	1800
CAMSHAFT LOBE POSITION	RET	RET.	RET.	RET.
INJECTOR TIMING	1.484	1.484	1.484	1.484
THROTTLE DELAY YIELD LINK	(f) REQ.	(f) REQ.	(f) REQ.	(f) REQ.
TURBOCHARGER A/R	TV8102 1.08	TV8102 1.08	TV8101 1.60	TV8101 1.60

1978 FEDERAL CERTIFIED AUTOMOTIVE CONFIGURATIONS

ENGINE FAMILIES	6V-92	8V-92	6V-92T			8V-92T			8V-92TA	
			T	OTM	TT	T	OTM	TT	TA	TTA
INJECTORS (a)	9270 9275 9280 9285	9270 9275 9280 9285	9280 9285 9290(g)	9280 9285 9290(g)	9290(g)	9280 9285 9290(g)	9280 9285 9290(g)	9290(g) 9A90(g)	9290(g)	9290(g)
APPROVED CONSTANT HORSEPOWER FOR TT & TTA ENGINES					240-270			9290-365 9A90 335-365		365
MAXIMUM FULL LOAD SPEED (b)	2100	2100	2100	2100	2100	2100	2100	2100	2100	2100
MINIMUM FULL LOAD SPEED	9270-1950 9275-1950 9280-1950 9285-2100	9270-1950 9275-1950 9280-1950 9285-2100	1900	1900	1800	1900	1900	9290-1900 9A90-1800**	1900	1900
CAMSHAFT LOBE POSITION	STD.	STD.	STD.	STD.	STD.	STD.	STD.	STD.	STD.	STD.
INJECTOR TIMING	1.460	1.460	1.484	1.484	1.484	1.484	1.484	1.484	1.484	1.484
THROTTLE DELAY YIELD LINK	NOT REQ.	NOT REQ.	(f) REQ.	(f) REQ.	(f) REQ.	(f) REQ.	(f) REQ.	(f) REQ.	(f) REQ.	(f) REQ.
TURBOCHARGER A/R			*T18A40 1.14	TV8102 1.23	TV8102 1.23	*T18A90 1.50	TV8101 1.84	TV8101 1.84	TV8101 1.60	TV8101 1.60

**335 BHP 8V-92TT use 9A90 injectors only @ 1800 RPM.

TABLE 6 - 1978 ENGINES (Federal and California)

12

EXHAUST VALVE CLEARANCE ADJUSTMENT

The correct exhaust valve clearance at normal engine operating temperature is important for smooth, efficient operation of the engine.

Insufficient valve clearance can result in loss of compression, misfiring cylinders and, eventually, burned valve seats and valve seat inserts. Excessive valve clearance will result in noisy operation, increased valve face wear and valve lock damage.

Whenever the cylinder head is overhauled, the exhaust valves are reconditioned or replaced, or the valve operating mechanism is replaced or disturbed in any way, the valve clearance must first be adjusted to the cold setting to allow for normal expansion of the engine parts during the engine warm-up period. This will ensure a valve setting that is close enough to the specified clearance to prevent damage to the valves when the engine is started.

The exhaust valve bridges must be adjusted and the adjustment screws locked securely at the time the cylinder head is installed on the engine. The necessary adjustment procedure is outlined in Section 1.2.2.

The exhaust valve bridge balance should be checked when a general valve adjustment is performed. After the bridges are balanced, adjust the valve clearance at the *push rod only*.

Do not disturb the exhaust valve bridge adjusting screw.

All of the exhaust valves may be adjusted in firing order sequence during one full revolution of the crankshaft. Refer to the *General Specifications* at the front of the manual for the engine firing order.

Valve Clearance Adjustment (Cold Engine)

1. Remove the loose dirt from the valve rocker covers and remove the covers.
2. Place the governor speed control lever in the *idle* speed position. If a stop lever is provided, secure it in the *stop* position.
3. Rotate the crankshaft, with engine barring tool J 22582 or with the starting motor, until the injector follower is fully depressed on the particular cylinder to be adjusted.

NOTE: If a wrench or barring tool is used on the crankshaft bolt at the front of the engine, do not turn the crankshaft in a left-hand direction of rotation or the bolt may be loosened.

4. Loosen the exhaust valve rocker arm push rod lock nut.
5. Place a .017" feeler gage, J 9708-01, between the valve bridge and the valve rocker arm pallet (Fig. 1). Adjust the push rod to obtain a smooth pull on the feeler gage.
6. Remove the feeler gage. Hold the push rod with a 5/16" wrench and tighten the lock nut with a 1/2" wrench.
7. Recheck the clearance. At this time, if the adjustment is correct, the .015" gage will pass freely between the valve bridge and the rocker arm pallet, but the .017" gage will not pass through. Re-adjust the push rod, if necessary.
8. Adjust and check the remaining exhaust valves in the same manner as above.

Valve Clearance Adjustment (Hot Engine)

Maintaining normal engine operating temperature is particularly important when making the final exhaust valve clearance adjustment. If the engine is allowed to cool before setting any of the valves, the clearance, when running at full load, may become insufficient.

1. With the engine at normal operating temperature (refer to Section 13.2), recheck the exhaust valve clearance with feeler gage J 9708-01. At this time, if the valve clearance is correct, the .013" gage will pass freely between the valve bridge and the rocker arm pallet, but the .015" feeler gage will **not** pass through. Re-adjust the push rod, if necessary.
2. After the exhaust valve clearance has been adjusted, check the fuel injector timing (Section 14.2).

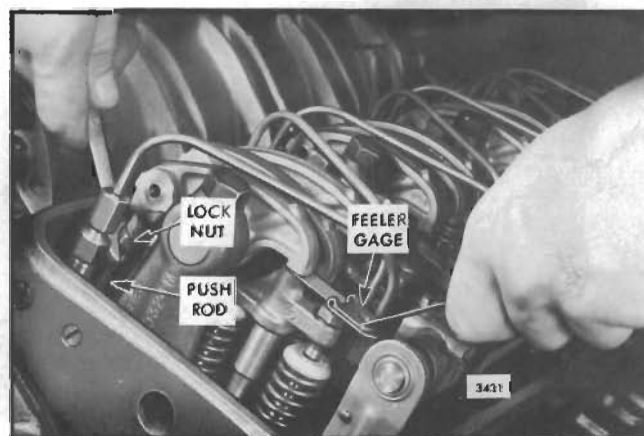


Fig. 1 - Adjusting Valve Clearance

1000 3'

1



2

—

FUEL INJECTOR TIMING

To time an injector properly, the injector follower must be adjusted to a definite height in relation to the injector body.

All of the injectors can be timed in firing order sequence during one full revolution of the crankshaft. Refer to the *General Specifications* at the front of the manual for the engine firing order.

Time Fuel Injector

After the exhaust valve clearance has been adjusted (Section. 14.1), time the fuel injectors as follows:

1. Place the governor speed control lever in the *idle* speed position. If a stop lever is provided, secure it in the *stop* position.

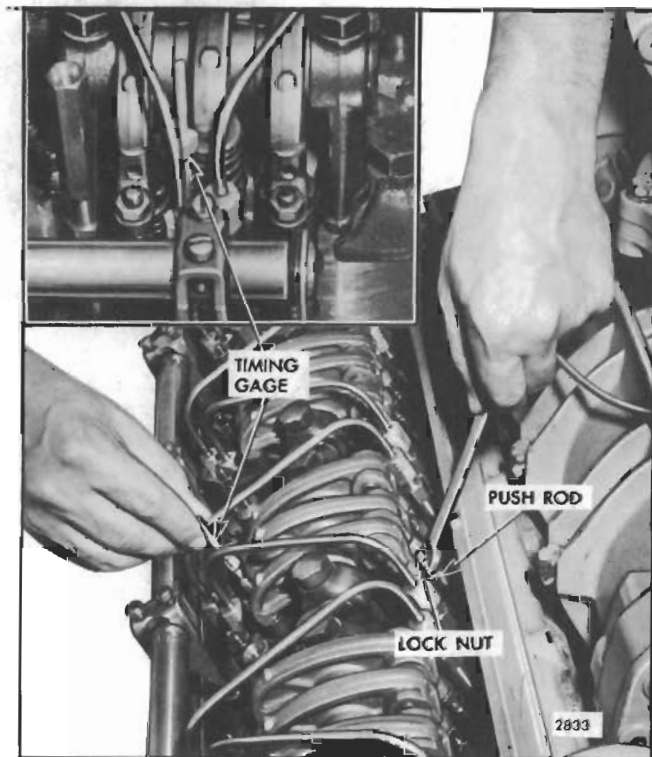


Fig. 1 - Timing Fuel Injector

2. Rotate the crankshaft, with the starting motor or with engine barring tool J 22582, until the exhaust valves are fully depressed on the particular cylinder to be timed.

NOTE: If a wrench is used on the crankshaft bolt at the front of the engine, do not turn the crankshaft in a left-hand direction of rotation or the bolt may loosen.

3. Place the small end of the injector timing gage (refer to Table 1 or Section 14 for the correct timing gage) in the hole provided in the top of the injector body with the flat of the gage toward the injector follower (Fig. 1).

4. Loosen the injector rocker arm push rod lock nut.

5. Turn the push rod and adjust the injector rocker arm until the extended part of the gage will just pass over the top of the injector follower.

6. Hold the push rod and tighten the lock nut. Check the adjustment and, if necessary, re-adjust the push rod.

7. Time the remaining injectors in the same manner as outlined above.

8. If no further engine tune-up is required, install the valve rocker covers, using new gaskets.

φ Injector	Timing Dimension	Timing Gage	Camshaft Timing
9270	1.460"	J 1853	Standard
9275*	1.460"	J 1853	Standard
9280*	1.460"	J 1853	Standard
9285*	1.460"	J 1853	Standard
9290*	1.460"	J 1853	Standard
9295#	1.484"	J 1242	Standard
9200†	1.484"	J 1242	Standard
9215	1.484"	J 1242	Standard

* Turbocharged engines use 1.484" timing (gage J 1242).

† 16V-92T (1800 rpm generator set—860 bhp).

Generator set only.

φ For automotive applications, refer to Section 14.

TABLE 1 - INJECTOR TIMING



LIMITING SPEED MECHANICAL GOVERNOR AND INJECTOR RACK CONTROL ADJUSTMENT

6 and 8V Engines

After adjusting the exhaust valves and timing the fuel injectors, adjust the governor and position the injector rack control levers.

NOTE: Before proceeding with the governor and injector rack adjustments, disconnect any supplementary governing device. After the adjustments are completed, re-connect and adjust the supplementary governing device as outlined in Section 14.14.

Adjust Governor Gap

With the engine stopped and at normal operating temperature, adjust the governor gap as follows:

1. Remove the high speed spring retainer cover.
2. Back out the buffer screw until it extends approximately 5/8" from the lock nut (Fig. 7).
3. Start the engine and loosen the idle speed adjusting screw lock nut. Then adjust the idle screw (Fig. 8) to

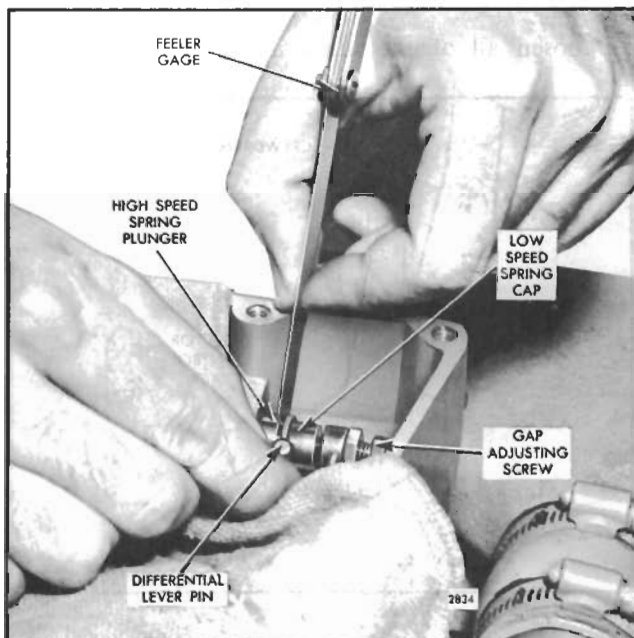


Fig. 1 - Adjusting Governor Gap

obtain the desired engine idle speed. Hold the screw and tighten the lock nut to hold the adjustment.

NOTE: Governors used in turbocharged engines include a starting aid screw threaded into the governor housing (current engines), or the governor gap adjusting screw (early engines). A lock nut is not required on early engines as both the gap adjusting screw and the starting screw incorporate a nylon patch in lieu of lock nuts.

IMPORTANT: The recommended idle speed for non-EPA certified engines is 400-450 rpm, but may vary with special engine applications. EPA certified minimum idle speeds are 500 rpm for trucks and highway coaches and 400 rpm for city coaches.

4. Stop the engine. Clean and remove the governor cover and lever assembly and discard the gasket.
5. Start and run the engine between 800 and 1000 rpm by manual operation of the differential lever.

CAUTION: Do not overspeed the engine.

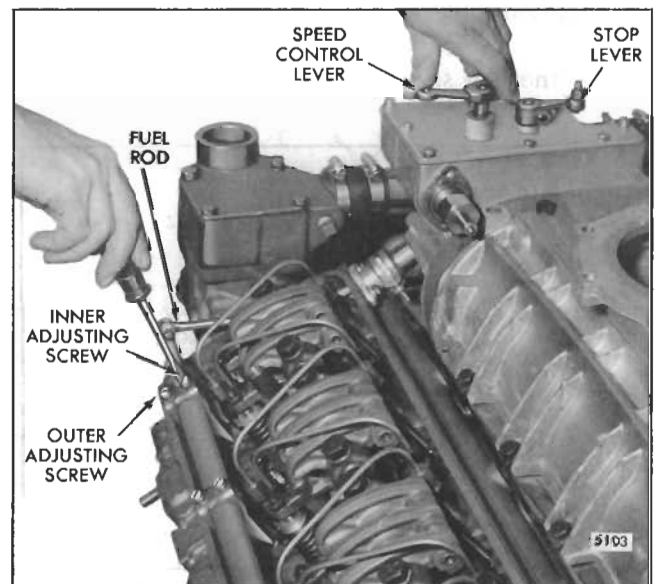


Fig. 2 - Positioning No. 1 Injector Rack Control Lever

6. Check the gap between the low speed spring cap and the **high speed** spring plunger (Fig. 1) with a .0015" feeler gage. If the gap setting is incorrect, reset the gap adjusting screw. If the setting is correct, the .0015" movement can be seen by placing a few drops of oil into the governor gap and pressing a screw driver against the gap adjusting screw. Movement of the cap toward the plunger will force the oil from the gap in the form of a small bead.

7. On governors without the internal starting aid screw, hold the gap adjusting screw and tighten the lock nut.

8. Recheck the gap and readjust if necessary.

9. Stop the engine and, using a new gasket, install the governor cover and lever assembly. Tighten the screws.

NOTE: Do not install the governor cover and lever assembly at this time on early engines that include the internal starting aid screw.

Position Injector Rack Control Levers

The positions of the injector racks must be correctly set in relation to the governor. Their positions determine the amount of fuel injected into each cylinder and ensures equal distribution of the load. Properly positioned injector rack control levers with the engine at full load will result in the following:

1. Speed control lever at the maximum speed position.
2. Governor low speed gap closed.

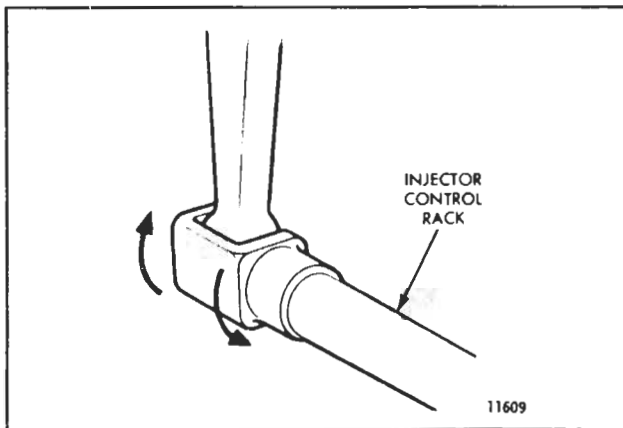


Fig. 3 - Checking Rotating Movement of Injector Control Rack

3. High speed spring plunger on the seat in the governor control housing.

4. Injector fuel control racks in the full-fuel position.

The letter R and L indicates the injector location in the right or left cylinder bank, viewed from the rear of the engine. The cylinders are numbered starting at the front of the engine on each cylinder bank. Adjust the No. 1L injector rack control lever first to establish a guide for adjusting the remaining injector rack control levers.

1. Disconnect any linkage attached to the governor speed control lever.

2. Turn the idle speed adjusting screw until 1/2" of the threads (12-14 threads) project from the lock nut when the nut is against the high speed plunger.

CAUTION: A false fuel rack setting may result if the idle speed adjusting screw is not backed out as noted above.

NOTE: This adjustment lowers the tension of the low speed spring so it can be easily compressed. This permits closing the low speed gap without bending the fuel rods or causing the yield mechanism springs to yield or stretch.

3. Back out the buffer screw approximately 5/8", if it has not already been done.

4. Remove the clevis pin from the fuel rod and the right cylinder bank injector control tube lever.

5. Loosen all of the inner and outer injector rack

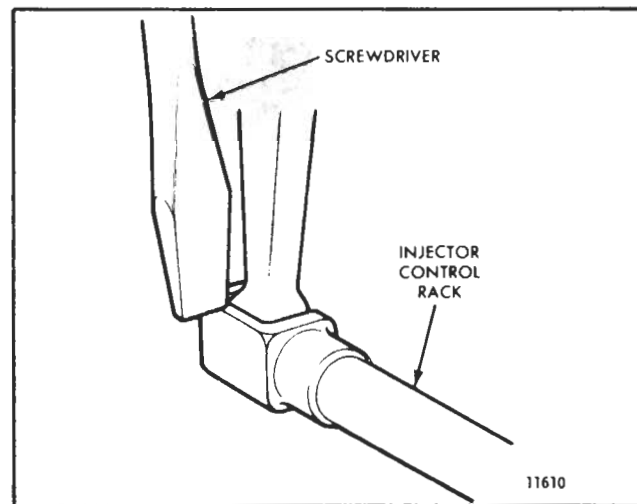


Fig. 4 - Checking Injector Control Rack "Spring"

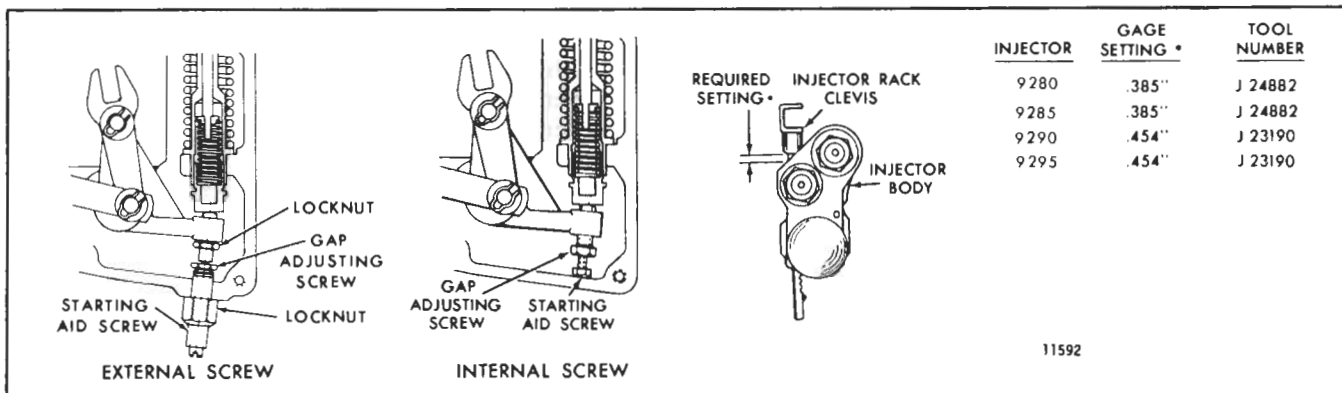


Fig. 5 - Starting Aid Screw Adjustment

control lever adjusting screws on both cylinder heads. Be sure all of the injector rack control levers are free on the injector control tubes.

6. Move the speed control lever to the maximum speed position; hold it in that position with light finger pressure. Turn the inner adjusting screw of the No. 1L injector rack control lever down (Fig. 2) until a slight movement in the control tube lever is observed or a step-up in effort to turn the screw driver is noted. This will place the No. 1L injector rack in the full-fuel position. Turn down the outer adjusting screw until it bottoms lightly on the injector control tube. Then alternately tighten both the inner and outer adjusting screws.

NOTE: Overtightening of the injector rack control lever adjusting screws during installation or adjustment can result in damage to the injector control tube. The recommended torque of the adjusting screws is 24-36 in-lbs (3-4 Nm).

IMPORTANT: The above step should result in placing the governor linkage and control tube assembly in the same position that they will attain while the engine is running at full load.

7. To be sure of the proper rack adjustment, hold the speed control lever in the maximum speed position and press down on the injector rack with a screw driver or finger tip and note the "rotating" movement of the injector control rack (Fig. 3). Hold the speed control lever in the maximum speed position and, using a screw driver, press downward on the injector control rack. The rack should tilt downward (Fig. 4) and when the pressure of the screw driver is released, the control rack should "spring" back upward.

If the rack does not return to its original position, it is

too loose. To correct this condition, back off the outer adjusting screw slightly and tighten the inner adjusting screw slightly.

The setting is too tight if, when moving the speed control lever from the no-speed to the maximum speed position, the injector rack becomes tight before the speed control lever reaches the end of its travel (as determined by the stop under the governor cover). This will result in a step-up in effort required to move the speed control lever to the end of its travel. To correct this condition, back off the inner adjusting screw slightly and tighten the outer adjusting screw slightly.

8. Remove the clevis pin from the fuel rod and the left bank injector control tube lever.

9. Insert the clevis pin in the fuel rod and the right cylinder bank injector control tube lever and position the No. 1R injector rack control lever as previously outlined in Step 6 for the No. 1L injector rack control lever.

10. Insert the clevis pin in the fuel rod and the left bank injector control tube lever. Repeat the check on the No. 1L and No. 1R injector rack control levers as outlined in Step 7. Check for and eliminate any deflection which occurs at the bend in the fuel rod where it enters the cylinder head.

11. To adjust the remaining injector rack control levers, remove the clevis pins from the fuel rods and the injector control tube levers, hold the injector control racks in the full-fuel position by means of the lever on the end of the control tube and proceed as follows:

a. Turn down the inner adjusting screw of the

injector rack control lever until the screw bottoms (injector control rack in the full-fuel position).

- b. Turn down the outer adjusting screw of the injector rack control lever until it bottoms on the injector control tube.
- c. While still holding the control tube lever in the full-fuel position, adjust the inner and outer adjusting screws to obtain the same condition as outlined in Step 7. Tighten the screws.

CAUTION: Once the No. 1L and No. 1R injector rack control levers are adjusted, do not try to alter their settings. All adjustments are made on the remaining control racks.

NOTE: Overtightening of the injector rack control tube lever adjusting screws during installation or adjustment can result in damage to the injector control tube. The recommended torque of the adjusting screws is 24-36 in-lbs (3-4 Nm).

12. When all of the injector rack control levers are adjusted, recheck their settings. With the control tube lever in the full-fuel position, check each control rack as in Step 7. All of the control racks must have the same "spring" condition with the control tube lever in the full-fuel position.

13. Insert the clevis pin in the fuel rod and the injector control tube levers.

14. Turn the idle speed adjusting screw in until it projects 3/16" from the lock nut, to permit starting the engine.

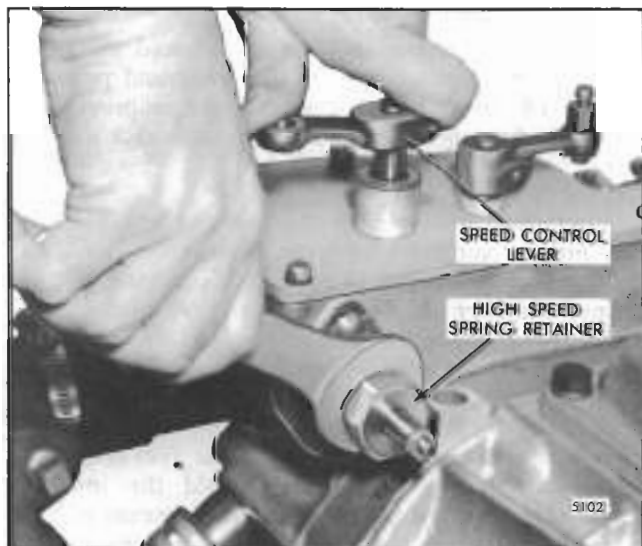


Fig. 6 - Adjusting Maximum No-Load Speed

15. On current turbocharged engines, adjust the external starting aid screw as follows:

- a. With the engine *stopped*, place the governor stop lever in the *run* position and the speed control lever in the *idle speed* position.
- b. Adjust the starting aid screw to obtain the required setting between the shoulder on the injector rack clevis and the injector body (Fig. 5). Select the proper gage and measure the setting at any convenient cylinder. When the starting aid screw is properly adjusted, the gage should have a small clearance of 1/64" (.397 mm) in the space along the injector rack shaft between the rack clevis and the injector body.
- c. After completing the adjustment, hold the starting aid screw and tighten the lock nut.
- d. Check the injector rack clevis-to-body clearance after performing the following:
 1. Position the stop lever in the *run* position.
 2. Move the speed control lever from the *idle speed* position to the *maximum speed* position.
 3. Return the speed control lever to the *idle speed* position.

NOTE: Movement of the speed control lever is to take-up the clearance in the governor linkage. The injector rack clevis-to-body clearance can be increased by turning the starting aid screw farther in against the gap adjusting screw, or reduced by backing it out.

IMPORTANT: The starting aid screw will be ineffective if the speed control lever is advanced toward wide open throttle during start-up.

16. On early turbocharged engines adjust the internal starting aid screw, as follows:

- a. With the engine *stopped*, place the governor stop lever in the *run* position and the speed control lever in the *idle* position.
- b. Hold the gap adjusting screw, to keep it from turning, and adjust the starting aid screw to obtain the required setting between the shoulder on the injector rack clevis and the injector body (Fig. 5). The setting is measured at the No. 3R injector rack clevis.
- c. Check the injector rack clevis-to-body clearance after performing the following.
 1. Position the stop lever in the *run* position.

2. Move the speed control lever from the *idle* position to the *maximum* speed position.
3. Return the speed control lever to the *idle* position.

NOTE: Movement of the governor speed control lever is to take-up clearances in the governor linkage. The clevis-to-body clearance can be increased by backing out the starting aid screw or reduced by turning it farther into the gap adjusting screw.

- d. Start the engine and re-check the running gap (.0015") and, if necessary, reset it and re-position the injector racks. Then stop the engine.
 - e. Use a new gasket and replace the governor cover and lever assembly. Tighten the screws.
17. Use new gaskets and replace the valve rocker covers.

Adjust Maximum No-Load Engine Speed

All governors are properly adjusted before leaving the factory. However, if the governor has been reconditioned or replaced and to ensure the engine speed will not exceed the recommended no-load speed as given on the engine option plate, set the maximum no-load speed as follows:

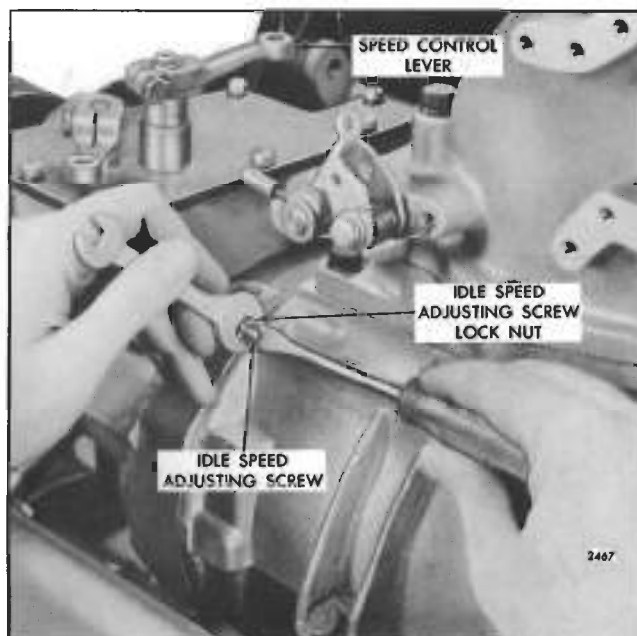


Fig. 7 - Adjusting Engine Idle Speed

After positioning the injector rack control levers, set the maximum no-load engine speed as follows:

NOTE: Be sure the buffer screw projects 5/8" from the lock nut to prevent interference while adjusting the maximum no-load speed.

1. Loosen the spring retainer lock nut (Fig. 6) and back off the high speed spring retainer approximately five turns.
2. With the engine running at operating temperature and no-load on the engine, place the speed control lever in the maximum speed position. Turn the high speed spring retainer until the engine is operating at the recommended no-load speed.
3. Hold the high speed spring retainer and tighten the lock nut.

Adjust Idle Speed

With the maximum no-load speed properly adjusted, adjust the idle speed as follows:

1. With the engine running, at normal operating temperature and with the buffer screw backed out to avoid contact with the differential lever, turn the idle speed adjusting screw (Fig. 7) until the engine operates at approximately 15 rpm below the recommended idle speed.

IMPORTANT: It may be necessary to use the buffer screw to eliminate engine roll. Back out the buffer screw, after the idle speed is established, to the previous setting (5/8").

NOTE: The recommended idle speed for non-EPA certified engines is 400-450 rpm, but may vary with special engine applications. EPA certified minimum idle speeds are 500 rpm for trucks and highway coaches and 400 rpm for city coaches.

2. Hold the idle screw and tighten the lock nut.
3. Install the high speed spring retainer cover and tighten the two bolts.

Adjust Buffer Screw

With the idle speed properly set, adjust the buffer screw as follows:

1. With the engine running at normal operating temperature, turn the buffer screw (Fig. 8) in so it contacts the differential lever as lightly as possible and still eliminates engine roll.

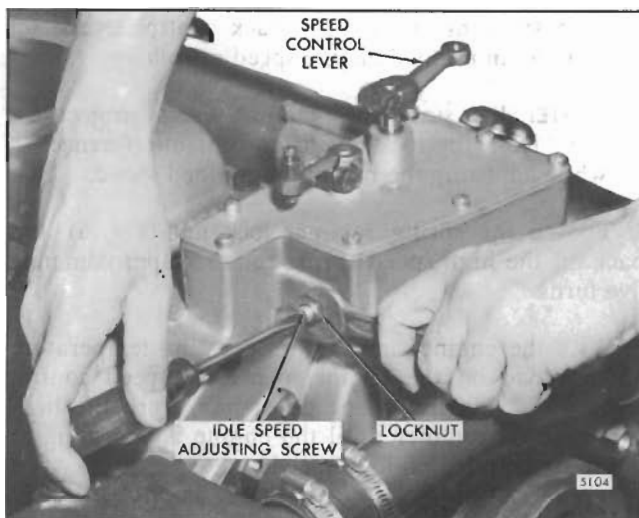


Fig. 8 - Adjusting Buffer Screw

NOTE: Do not increase the engine idle speed more than 15 rpm with the buffer screw.

2. Recheck the maximum no-load speed. If it has increased more than 25 rpm, back off the buffer screw until the increase is less than 25 rpm.
3. Hold the buffer screw and tighten the lock nut.

LIMITING SPEED MECHANICAL GOVERNOR AND INJECTOR RACK CONTROL ADJUSTMENT

16V Engine

The governor (Fig. 1) on the 16V engine is mounted on and driven from the front end of the rear blower.

After adjusting the exhaust valves and timing the fuel injectors, adjust the governor and position the injector rack control levers.

If the engine or governor has been overhauled, or the injector control linkage has been disturbed, the control link levers in the governor housing and auxiliary control link housing must be aligned before proceeding with the engine tune-up. Refer to Fig. 2 and position the control link levers as follows:

1. Disconnect the linkage to the governor speed control lever and stop levers.
2. Remove the covers from the governor housing and auxiliary control link housing.
3. Disconnect the adjustable link from the lever in the auxiliary control link housing.
4. Remove the connecting pin from the auxiliary governor control link lever.
5. Install gage J 21779 so it extends through the lever and fuel rod and into the gage hole in the bottom of the housing. With the gage in place, the auxiliary control link lever will be in the mid-travel position.

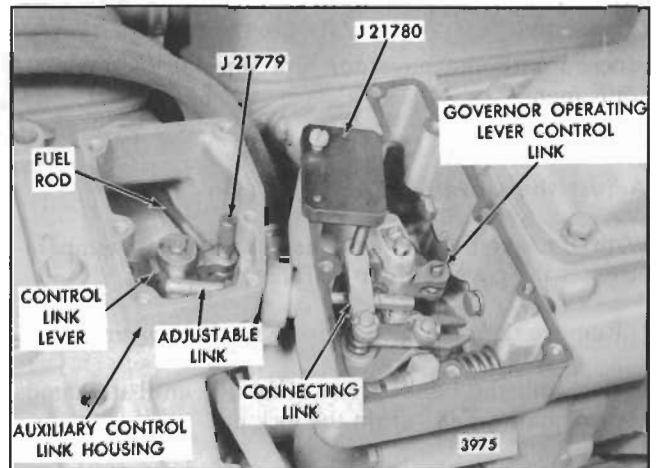


Fig. 2 - Positioning Control Link Levers

6. Remove the connecting pin from the control link lever in the governor housing and install gage J 21780. Install the gage so the pin extends through the connecting link, control lever and fuel rod and the governor housing dowel pin extends into the small hole in the gage. Then install a governor cover bolt as shown in Fig. 2 to lock the gage in place. With gage J 21780 in place, the governor control link lever will be in the mid-travel position and parallel to the auxiliary control link lever.

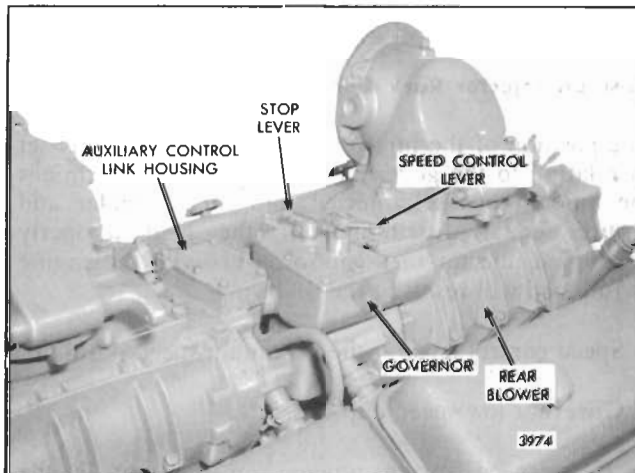


Fig. 1 - Governor Mounting

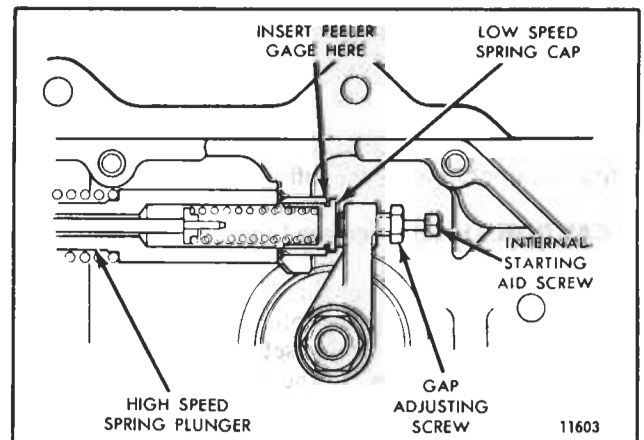


Fig. 3 - Governor Gap Adjustment

7. Adjust the length of the adjustable connecting link to retain the lever positions obtained in Steps 5 and 6 and install the link.

8. Remove gages J 21779 and J 21780 and reinstall the control link lever connecting pins.

9. Install the governor housing and auxiliary control link housing covers.

Proceed with the governor and injector rack control adjustment.

Adjust the Governor Gap

With the engine stopped and at operating temperature, set the governor gap as follows:

1. Remove the high speed spring retainer cover.
2. Back out the buffer screw (Fig. 10) until it extends approximately 5/8" from the lock nut.
3. Start the engine and loosen the idle speed adjusting screw lock nut. Then adjust the idle screw (Fig. 9) to obtain the desired idle speed. Hold the screw and tighten the lock nut to hold the adjustment.

NOTE: Governors used in turbocharged engines include a starting aid screw threaded into the governor housing (current engines) or the governor gap adjusting screw (early engines). A lock nut is not required on early engines as both the gap adjusting screw and the starting aid screw incorporate a nylon patch in lieu of lock nuts.

IMPORTANT: The recommended idle speed is 400-450 rpm, but may vary with special engine applications.

4. Stop the engine. Clean and remove the governor cover and lever assembly and the valve rocker covers. Discard the gaskets.

5. Start and run the engine between 800 and 1000 rpm by manual operation of the differential lever.

CAUTION: Do not overspeed the engine.

6. Check the gap between the low speed spring cap and the high speed spring plunger (Fig. 3) with a .0015" feeler gage. If the gap setting is incorrect, reset the gap adjusting screw. If the setting is correct, the .0015" movement can be seen by placing a few drops of oil into the governor gap and pressing a screw driver against the gap adjusting screw. Movement of the cap toward the plunger will force the oil from the gap in the form of a small bead.

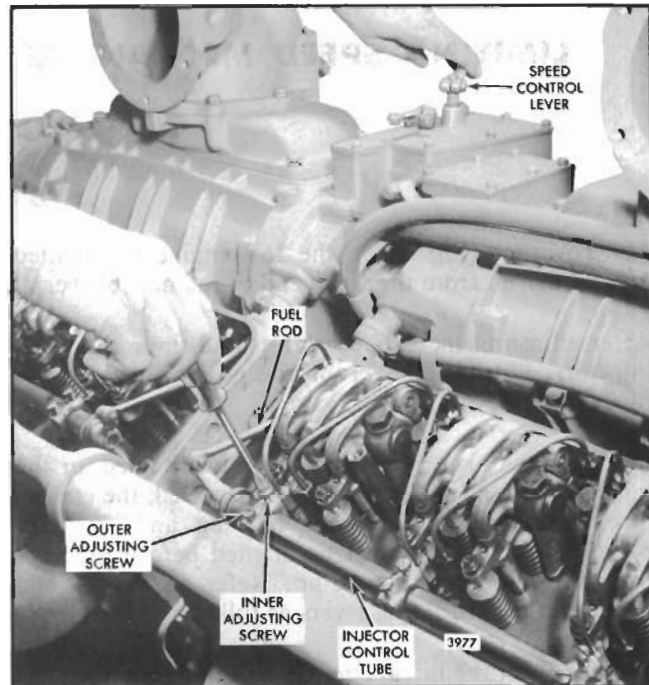


Fig. 4 - Positioning No. 4L Injector Rack Control Lever

7. On governors without the internal starting aid screw, hold the gap adjusting screw and tighten the lock nut.
8. Recheck the gap and readjust, if necessary.
9. Stop the engine and, using a new gasket, install the governor cover and lever assembly.

NOTE: Do not install the governor cover and lever assembly at this time on early engines that include the internal starting aid screw.

Position Injector Rack Control Levers

The position of the injector racks must be correctly set in relation to the governor. Their position determines the amount of fuel injected into each cylinder and ensures equal distribution of the load. Properly positioned injector rack control levers with the engine at full load will result in the following:

1. Speed control lever at the maximum speed position.
2. Governor low speed gap closed.
3. High speed spring plunger on the seat in the governor control housing.
4. Injector fuel control racks in the full-fuel position.

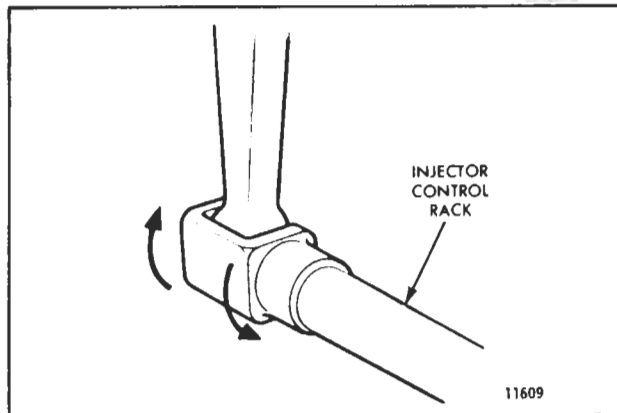


Fig. 5 - Checking Rotating Movement of Injector Control Rack

The letters R and L indicate the injector location in the right or left cylinder bank, viewed from the rear of the engine. Cylinders are numbered starting at the front of the engine on each cylinder bank. Adjust the No. 4R injector rack control lever first to establish a guide for adjusting the remaining right bank injector rack control levers.

1. Adjust the idle speed adjusting screw until $1/2''$ of the threads (12-14 threads) project from the lock nut when the nut is against the high speed plunger.

CAUTION: A false full-fuel rack setting may result if the idle speed adjusting screw is not backed out as noted above.

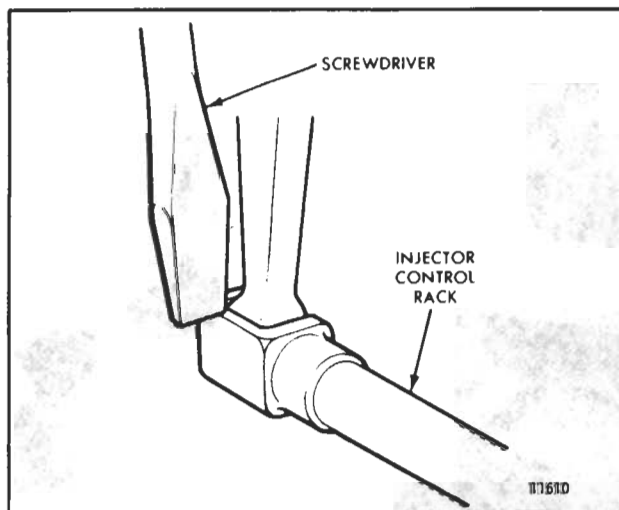


Fig. 6 - Checking Injector Control Rack "Spring"

NOTE: This adjustment lowers the tension of the low speed spring so it can be compressed, while closing the low speed gap, without bending the fuel rods.

2. Back out the buffer screw approximately $5/8''$ if it has not already been done.

3. Loosen all of the inner and outer injector rack control lever adjusting screws on both cylinder banks. Be sure all of the levers are free on the injector control tubes.

4. Check for any bind in the governor to control tube linkage by moving the linkage through its full range of travel.

5. Remove the clevis pins which attach the right rear bank and both left bank fuel rods to the injector control tube levers.

6. Move the speed control lever to the maximum speed position.

7. Hold the speed control lever with light finger pressure (Fig. 4) and adjust the No. 4R injector rack by turning the inner adjusting screw down until a slight movement of the control tube is observed or a step-up in effort to turn the screw driver is noted. This will place the rack in the full-fuel position. Turn the outer adjusting screw until it bottoms lightly on the control tube. Then alternately tighten both the inner and outer adjusting screws.

NOTE: Overtightening of the injector rack control lever adjusting screws during installation or adjustment can result in damage to the injector control tube. The recommended torque of the adjusting screws is 24-36 in-lbs (3-4 Nm).

IMPORTANT: The above step should result in placing the governor linkage and control tube assembly in the same position that they will attain while the engine is running at full load.

8. To be sure of the proper rack adjustment, hold the speed control lever in the maximum speed position and press down on the injector rack with a screw driver or finger tip and note the "rotating" movement of the injector control rack (Fig. 5). Hold the speed control lever in the maximum speed position and, using a screw driver, press downward on the injector control rack. The rack should tilt downward (Fig. 6) and, when the pressure of the screw driver is released, the control rack should "spring" back upward.

If the rack does not return to its original position, it is

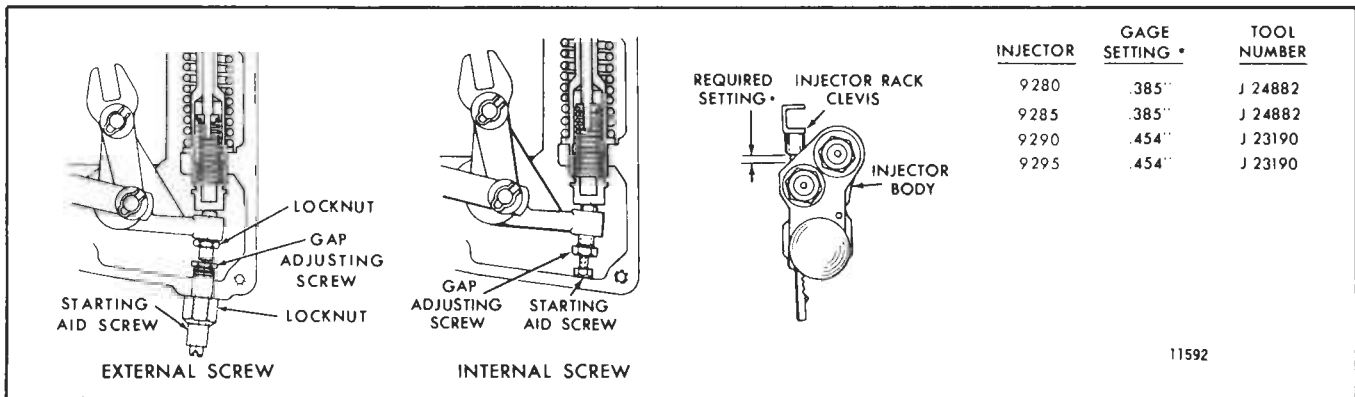


Fig. 7 - Starting Aid Screw Adjustment

too loose. To correct this condition, back off the outer adjusting screw slightly and tighten the inner adjusting screw slightly.

The setting is too tight if, when moving the speed control lever from the no-speed to the maximum speed position, the injector rack becomes tight before the speed control lever reaches the end of its travel (as determined by the stop under the governor cover). This will result in a step-up in effort required to move the speed control lever to the end of its travel. To correct this condition, back off the inner adjusting screw slightly and tighten the outer adjusting screw slightly.

9. Remove the fuel rod-to-control tube lever clevis pin from the right front bank fuel rod and install it on the right rear bank fuel rod and adjust the No. 5R injector rack as outlined in Steps 5, 6 and 7.

10. Repeat Step 9 for adjustment of the No. 4L and No. 5L injector racks. When the settings are correct, the No. 4R, 5R, 4L and 5L injector racks will be snug on the ball end of the control levers when the injectors are in the full-fuel position.

11. With the fuel rod disconnected from the injector control tube lever, adjust the remaining injector rack control levers on the right front bank. Hold the No. 4R injector rack in the full-fuel position by means of the control tube lever and turn the inner adjusting screw of the No. 3R injector rack control lever until the injector rack has moved into the full-fuel position. Turn the outer adjusting screw down until it bottoms

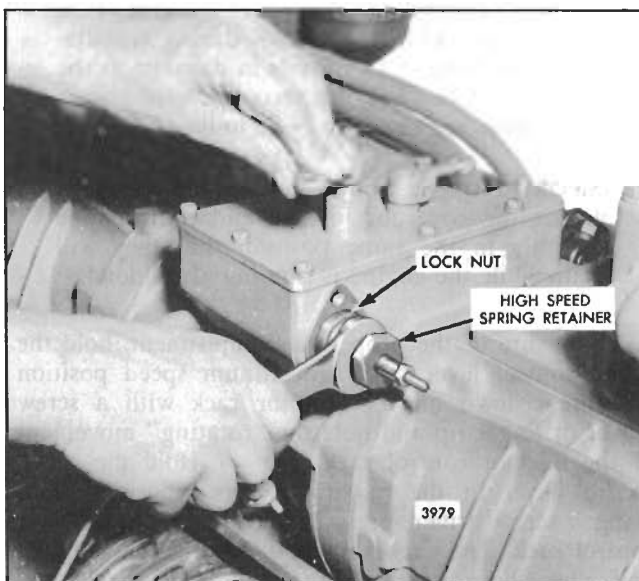


Fig. 8 - Adjusting Maximum No-Load Speed

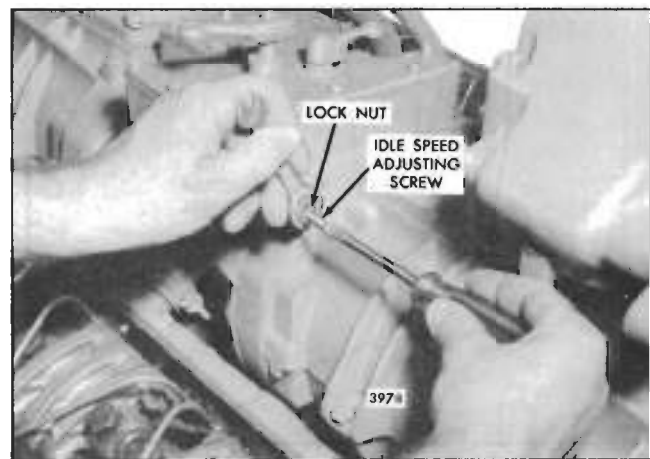


Fig. 9 - Adjusting Engine Idle Speed

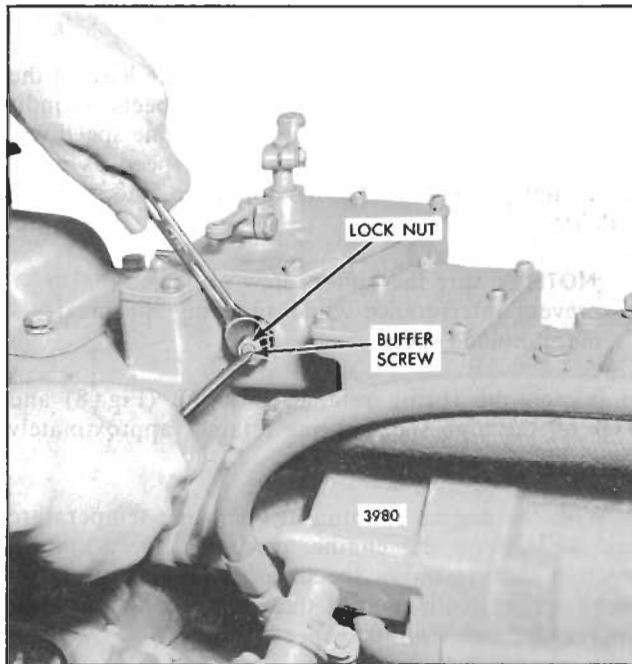


Fig. 10 - Adjusting Buffer Screw

lightly on the injector control tube. Then alternately tighten both the inner and outer adjusting screws.

NOTE: Overtightening of the injector rack control tube lever adjusting screws during installation or adjustment can result in damage to the injector control tube. The recommended torque of the adjusting screws is 24-36 in-lbs (3-4 Nm).

12. Recheck the No. 4R injector rack to be sure it has remained snug on the ball end of the injector rack control lever. If the rack of the No. 4R injector has become loose, back off the inner adjusting screw slightly on the No. 3R injector rack control lever and tighten the outer adjusting screw. When the settings are correct, both injector racks must respond in the same manner on the ball ends of the control levers when the injector control tube lever is held in the full-fuel position.

13. Position the remaining injector rack control levers on the right front cylinder bank as outlined in Steps 11 and 12.

14. Adjust the remaining injector rack control levers on the right rear, left front and left rear cylinder banks in the same manner as outlined in Steps 11, 12 and 13.

15. Install the four fuel rod-to-control tube lever clevis pins and check the adjustment of the injector rack control levers.

16. On current turbocharged engines, adjust the external starting aid screw as follows:

- a. With the engine *stopped* place the governor stop lever in the *run* position and the speed control lever in the *idle speed* position.
- b. Adjust the starting aid screw to obtain the required setting between the shoulder on the injector rack clevis and the injector body (Fig. 7). Select the proper gage and measure the setting at any convenient cylinder. When the starting aid screw is properly adjusted, the gage should have a small clearance of 1/64" (.397 mm) in the space along the injector rack shaft between the rack clevis and the injector body.
- c. After completing the adjustment, hold the starting aid screw and tighten the lock nut.
- d. Check the injector rack clevis-to-body clearance after performing the following:
 1. Position the stop lever in the *run* position.
 2. Move the speed control lever from the *idle speed* position to the *maximum speed* position.
 3. Return the speed control lever to the *idle speed* position.

NOTE: Movement of the speed control lever is to take-up the clearance in the governor linkage. The injector rack clevis-to-body clearance can be increased by turning the starting aid screw farther in against the gap adjusting screw, or reduced by backing it out.

IMPORTANT: The starting aid screw will be ineffective if the speed control lever is advanced toward wide open throttle during start-up.

17. On early turbocharged engines adjust the internal starting aid screw, as follows:

- a. With the engine *stopped*, place the governor stop lever in the *run* position and the speed control lever in the *idle* position.
- b. Hold the gap adjusting screw, to keep it from turning, and adjust the starting aid screw to obtain the required setting between the shoulder on the injector rack clevis and the injector body (Fig. 7). The setting is measured at the No. 3R injector rack clevis.
- c. Check the injector rack clevis-to-body clearance after performing the following:
 1. Position the stop lever in the *run* position.

2. Move the speed control lever from the *idle* position to the *maximum speed* position.
3. Return the speed control lever to the *idle* position.

NOTE: Movement of the governor speed control lever is to take-up clearances in the governor linkage. The clevis-to-body clearance can be increased by backing out the starting aid screw or reduced by turning it farther into the gap adjusting screw.

- d. Start the engine and re-check the running gap (.0015") and, if necessary, reset it and re-position the injector racks. Then stop the engine.
 - e. Use a new gasket and replace the governor cover and lever assembly. Tighten the screws.
18. Use new gaskets and replace the valve rocker covers.

Adjust Idle Speed

Adjust the idle speed as follows:

1. With the engine running, at normal operating temperature and with the buffer screw backed out to avoid contact with the differential lever, turn the idle speed adjusting screw (Fig. 9) until the engine is operating approximately 15 rpm below the recommended idle speed.

NOTE: It may be necessary to use the buffer screw to eliminate engine roll. Back out the buffer screw, after the idle speed is established, to the previous setting (5/8").

The recommended idle speed is 400-450 rpm but may vary with certain engine applications.

2. Hold the idle screw and tighten the lock nut.
3. Install the high speed spring retainer cover.

Adjust Maximum No-Load Engine Speed

All governors are properly adjusted before leaving the factory. However, if the governor has been reconditioned or replaced and to ensure the engine speed will not exceed the recommended no-load speed as given on the option plate, set the maximum no-load speed as follows:

NOTE: Be sure the buffer screw projects 5/8" to prevent interference while adjusting the maximum no-load speed.

1. Loosen the spring **retainer lock** nut (Fig. 8) and back off the high speed **spring retainer** approximately five turns.
2. With the engine running at operating temperature and no-load on the engine, place the speed control lever in the maximum speed position. Turn the high speed spring retainer **until** the engine is operating at the recommended no-load speed.
3. Hold the high speed spring retainer and tighten the lock nut.

Adjust Buffer Screw

With the idle speed properly set, adjust the buffer screw as follows:

1. With the engine running at normal operating temperature, turn the buffer screw in so it contacts the differential lever as lightly as possible and still eliminates engine roll (Fig. 10).

NOTE: Do not increase the engine idle speed more than 15 rpm with the buffer screw.

2. Recheck the maximum no-load speed. If it has increased more than 25 rpm, back off the buffer screw until the increase is less than 25 rpm.
3. Hold the buffer screw and tighten the lock nut.

LIMITING SPEED MECHANICAL GOVERNOR ADJUSTMENT

(Variable Low-Speed)

The variable low-speed limiting speed mechanical governor is used on turbocharged highway vehicle engines where the same engine powers both the vehicle and the auxiliary equipment for unloading bulk products (such as cement, grain or liquids) and a high idle speed range is desired during auxiliary operation.

The governor is a single-weight type and provides an idle speed range of 550 to 1800 rpm.

During highway operation, the governor functions as a limiting speed governor, controlling the engine idling speed and limiting the maximum operating speed. At the unloading area, the throttle is left in the idle speed position and the speed adjusting handle (Fig. 1) is turned to obtain the speed required to operate the auxiliary equipment. The governor then functions as a variable speed governor, maintaining a constant speed even when the load is constantly changing, during the unloading operation.

Before resuming highway operation, turn the speed adjusting handle back against the stop, *then turn it back in about one-quarter of a turn.*

Governor identification is provided by a name plate attached to the governor housing. The letters V.L.S.-L.S. stamped on the name plate denote a variable low-speed limiting speed governor.

After adjusting the exhaust valves and timing the injectors, adjust the governor and position the injector rack control levers.

Adjust Governor Gap

With the engine at operating temperature, adjust the governor gap as follows:

1. Stop the engine, remove the two bolts and withdraw the governor spring retainer cover.
2. Back out the buffer screw until it extends approximately 5/8" from the lock nut.
3. Make a preliminary idle speed (normal highway idle speed) adjustment as follows:

- a. Back out the variable low-speed adjusting shaft until the shoulder on the shaft contacts the shaft retainer (Fig. 1).

- b. Start the engine. Then hold the lock nut and loosen the low-speed adjusting shaft retainer.
- c. Adjust the retainer and shaft assembly to obtain the desired idle speed (550 rpm minimum).

NOTE: It may be necessary to use the buffer screw to eliminate engine roll. Back out the buffer screw, after the idle speed is established, to the previous setting (5/8"). Then hold the retainer and tighten the lock nut to retain the adjustment.

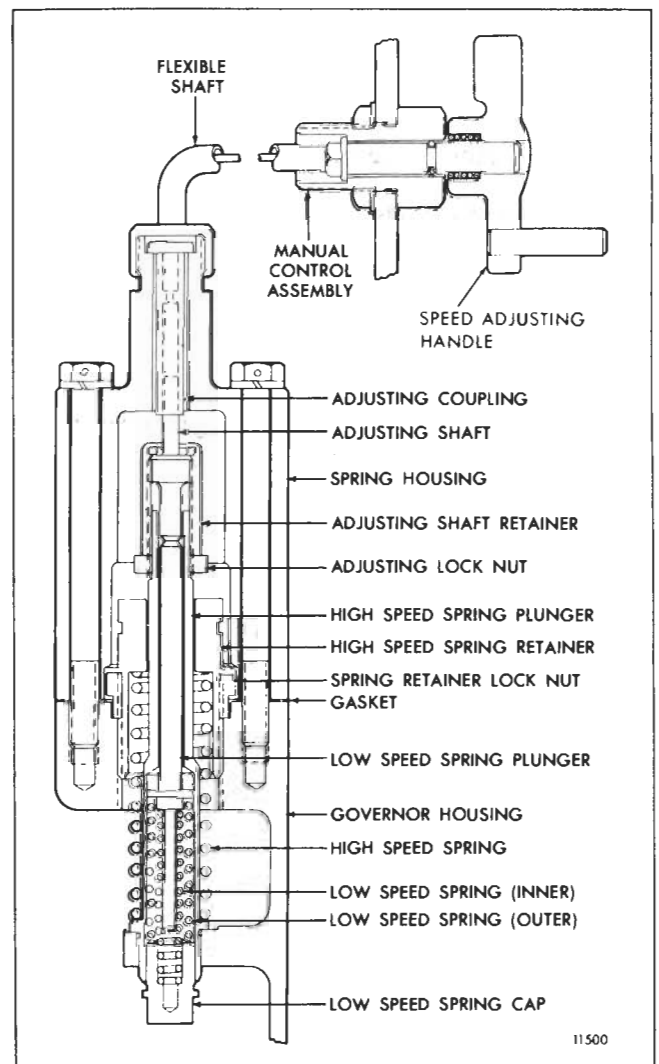


Fig. 1 - Governor Spring Housing and Components

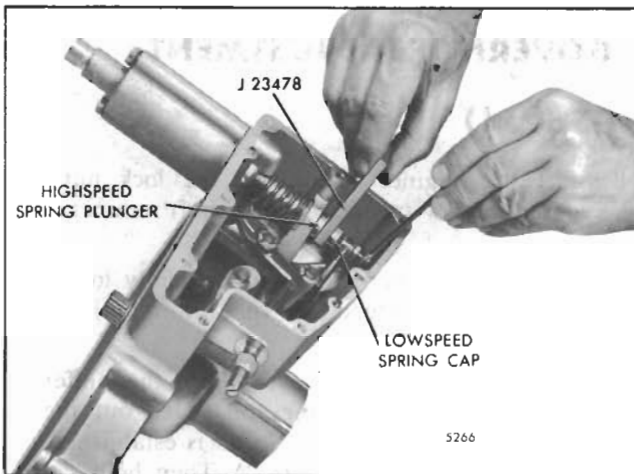


Fig. 2 - Adjusting Governor Gap (Single-Weight Governor)

4. Stop the engine and remove the governor cover and lever assembly.
5. Clean and remove the valve rocker covers.
6. Remove the fuel rods from the differential lever and the injector control tube levers.
7. Check the gap (.200") between the low-speed spring cap and the high-speed spring plunger with gage J 23478 as shown in Fig. 2.

NOTE: A .200" stack-up of feeler gages can be used to check the gap if the gage is not available.
8. If required, loosen the lock nut and turn the gap adjusting screw until a slight drag is felt on the gage.
9. Hold the adjusting screw and tighten the lock nut.

10. Recheck the gap and readjust if necessary.

11. Install the fuel rods between the governor and the injector control tube levers.

12. Install the governor cover assembly.

Position Injector Rack Control Levers

Position the injector rack control levers as outlined in Section 14.3.

Adjust Maximum No-Load Engine Speed

Adjust the maximum no-load engine speed as outlined for the limiting speed mechanical governor in Section 14.3.

Adjust Idle Speed

Adjust the normal highway idle speed as follows:

1. With the engine running at normal operating temperature and with the buffer screw backed out to avoid contact with the differential lever, hold the lock nut and loosen the variable low-speed adjusting shaft retainer. Adjust the retainer and shaft assembly to obtain a minimum of 550 rpm idle speed.

NOTE: It may be necessary to use the buffer screw to eliminate engine roll. Back out the buffer screw, after the idle speed is established, to the previous setting (5/8").

Adjust Buffer Screw

Adjust the buffer screw as outlined in Section 14.3.

GOVERNOR SETTINGS FOR FUEL SQUEEZER ENGINES

V-92TT ENGINE

The operating characteristics of a *Fuel Squeezer* engine are - its ability to maintain reasonably constant horsepower over a wide speed range and its 6% torque rise per one hundred rpm. These characteristics are achieved by the action of two Belleville springs (washers) in a limiting speed governor.

NOTE: The horsepower Tables 1 and 2 for *Fuel Squeezer* engines indicate a flat horsepower performance curve. However, during dynamometer testing an engine may exhibit horsepower readings slightly above or below the flat curve. A 5% horsepower variation from the flat published curve is acceptable.

The spring force provided by the Belleville springs works with the governor weights to pull the injector racks out of fuel as the engine speed is increased. Conversely, as the engine speed is reduced by increased load, the high-speed spring overcomes the force of the Belleville springs and moves the injector racks to an increased fuel position. The racks move progressively into more fuel to maintain the constant horsepower until the racks are in full fuel at a speed near 1500 rpm.

The tune-up of the *Fuel Squeezer* engine is the same as a standard engine tune-up outlined in Section 14.3, with the following exceptions:

A. Prior to tuning an engine, back out the Belleville

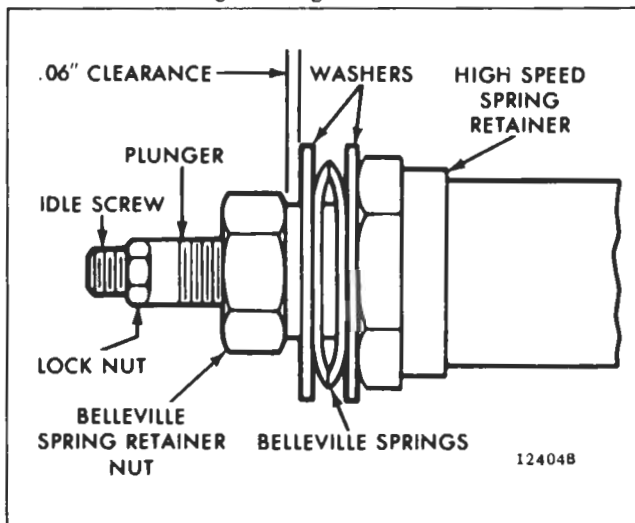


Fig. 1 - Belleville Washer Location

spring retainer nut (Fig. 1) until there is approximately .060" clearance between the washer and the retainer nut.

B. Governor gap adjustment: Set the running engine governor gap at .002"-.004" at 1100-1300 rpm with the engine idle speed adjusted to 500 rpm.

C. After completing the standard engine tune-up of setting injector timing, valve clearance, governor gap, injector racks and engine speeds, adjust the Belleville spring (washer) TT (tailor torqued) device.

NOTE: Use spanner wrench J 5345-5 to loosen or tighten the spring retainer lock nut during the no-load speed adjustment. Always use the yield link in the governor when performing the engine tune-up.

Adjustment of the Belleville springs for the TT horsepower can be accomplished by two methods, depending on the equipment available at the service outlet. These methods are:

1. Idle Drop.
2. Power Reduction Factor.

For satisfactory results, both methods require an engine in good condition and properly tuned.

NOTE: Do not attempt Belleville spring adjustment until an engine tune-up has been correctly completed.

METHOD 1 - Idle Drop

The idle drop method is an effective, accurate means of setting "TT" horsepower.

The idle drop method requires a specific reduction in engine speed to position the Belleville springs and the governor low and high-speed springs. The positioning of these governor components results in obtaining the desired *Fuel Squeezer* horsepower.

When performing an idle drop horsepower adjustment on a *Fuel Squeezer* engine having a 102 or 118 tooth flywheel, an accurate tachometer is mandatory (Digital Tachometer J 26791 recommended). Each one (1) rpm error in setting the idle drop results in a two or three horsepower error.

The tachometer is installed in the flywheel housing

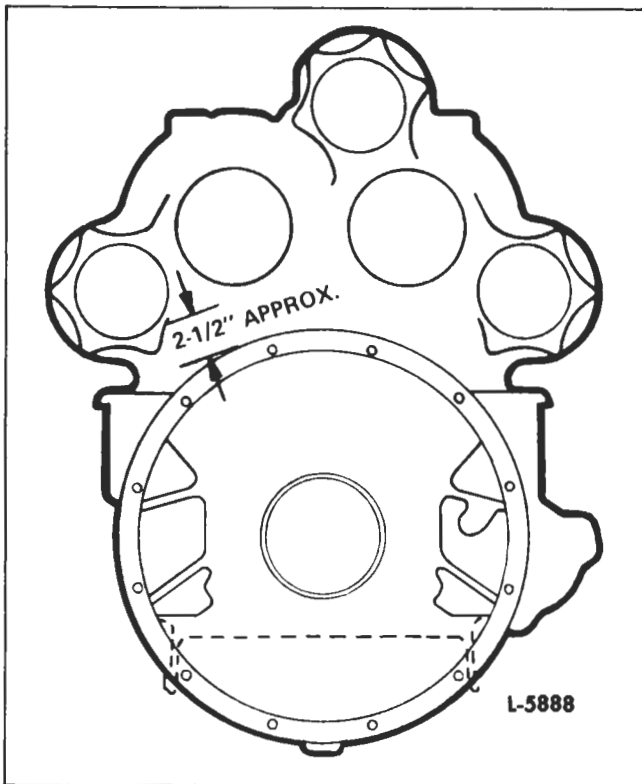


Fig. 2 - Identification of Engine Flywheel

drain plug hole and operates by counting the flywheel teeth, using a magnetic probe to pick-up impulses off the flywheel ring gear. The electronic module displays the engine speed digitally to one decimal place within one rpm accuracy. These capabilities make it ideal for setting horsepower on the *Fuel Squeezer* engines using the idle drop method.

To determine the number of teeth on the flywheel, when identification of the engine flywheel part number or type is not known, measure the distance from the camshaft flywheel housing cover lower bolt head and the outer circumference of the flywheel housing bell (Fig. 2). If this distance is approximately 1-1/4", it is a 118 tooth flywheel. For the 102 tooth flywheel, the distance will be approximately 2-1/2".

When the number of teeth on the flywheel is known, set the switch on the tachometer to the proper position. Proceed as follows:

1. Perform the standard engine tune-up. Set the no-load speed as required by the engine type, injector size and governor (refer to Table 1).
2. Disconnect the accelerator linkage from the governor speed control lever if it has not already been done.
3. Run the engine until a stabilized engine coolant temperature is obtained.

4. Refer to Table 1 and, using engine type, injector size and governor, select the initial and specified idle drop numbers for the rated "TT" horsepower and rated engine speed at which the engine is to operate.

5. Set the initial idle speed (using the idle adjusting screw) to that determined in Step "D" above.

6. With the governor speed control lever in the idle position, turn the Belleville spring retainer nut (Fig. 1) clockwise on the plunger until the specified idle drop speed is achieved. Secure the retainer nut with the locking screw. When the specified idle speed is achieved, the engine is power controlled to the "TT" horsepower rating.

NOTE: Idle speeds must be exact and steady. If they are not, check for bind or rubbing in the fuel control system: governor, fuel rods, injector control tubes and injector control racks.

7. Lower the idle speed to the desired operating idle speed, using the idle adjusting screw.

8. Adjust the buffer screw and the starting aid screw.

METHOD 2 - Power Reduction Factor

This method consists of setting "TT" engine horsepower to a specific percentage below full throttle horsepower as observed on an engine, chassis or output shaft dynamometer.

This method will provide the desired horsepower, within a reasonable tolerance, even with normal variations of test conditions. Some of these variations would be:

- Dynamometer Calibration
- Driveline Efficiency
- Fuel Grade and Temperature
- Air Density
- Tire Slippage

Proceed as follows:

1. Perform the standard engine tune up.

NOTE: The throttle delay piston must be removed and the Belleville spring retainer nut must be backed out until there is approximately .060" clearance between the washers and retainer nut (Fig. 1) prior to operating the engine on the dynamometer.

2. Set the no-load speed as required by the engine type, injector size and governor part number (Table 2).
3. Run the engine until the engine coolant temperature is above 170°F (77°C).
4. Using an engine, chassis or output shaft dynamometer, measure and record full throttle horsepower at 100 rpm below rated engine speed with the Belleville springs loose as shown in Fig. 1.

IMPORTANT: Satisfactory power adjustment can be obtained only if the full throttle horsepower and adjusted horsepower (Step 4) are obtained with the engine cooling in the same mode, i.e., operating or not operating.
5. Select the power reduction factor in Table 2 for the proper engine type, desired rated horsepower and rated engine speed.
6. Multiply the horsepower recorded in Step 4 by the factor selected in Step 5. Record this value.
7. Adjust the Belleville spring retainer nut clockwise so that the observed horsepower is reduced to that recorded in Step 6 at 100 rpm below rated engine speed, with the governor speed control lever in the maximum speed position and the fan in the same mode as in Step 4. Verify that the engine is obtaining adjusted "TT" horsepower, within 5%, at rated engine speed. If the adjusted "TT" horsepower cannot be obtained at rated engine speed, governor droop interference may be the cause. If necessary, to eliminate droop interference, re-adjust the engine no-load speed from 150 to 175 rpm above rated engine speed and repeat the power reduction factor method.
8. Check the idle speed and, if necessary, reset to the specified idle speed.
9. Adjust the buffer screw and starting aid screw.

FLEXISPEC ENGINE GOVERNOR ADJUSTMENTS FOR FUEL SQUEEZER

ENGINE

When it is desirable to adjust a *Fuel Squeezer* "TT" 6V or 8V-92 engine to obtain non-"TT" maximum rated horsepower, proceed as follows:

1. Adjust the engine governor to obtain a no-load speed 175 rpm above the desired rated speed. Refer to Section 14.3 for the no-load engine speed adjustment.
2. Position the Belleville spring retainer to provide approximately .060 " clearance between the Belleville washers and the retainer when the engine is not running (Fig. 1).

TABLE I

ENGINE TYPE	INJECTOR SIZE	THROTTLE DELAY SETTING	RATED HORSEPOWER @ RATED SPEED	INITIAL IDLE	IDLE DROP SETTING
6V-92TT*	9290	.570	270 @ 1800 260 @ 1800 250 @ 1800 240 @ 1800	880 880 880 880	810 804 798 792
6V-92TT*	9290	.570	270 @ 1850 260 @ 1850 250 @ 1850 240 @ 1850	880 880 880 880	808 802 796 790
6V-92TT	9290	.636	270 @ 1900 260 @ 1900 250 @ 1900 240 @ 1900	915 915 915 915	850 845 840 835
6V-92TT	9290	.636	270 @ 1950 260 @ 1950 250 @ 1950 240 @ 1950	915 915 915 915	848 843 838 833
6V-92TT*	9290	.636	270 @ 1900 260 @ 1900 250 @ 1900 240 @ 1900	950 950 950 950	877 873 869 865
6V-92TT*	9290	.636	270 @ 1950 260 @ 1950 250 @ 1950 240 @ 1950	950 950 950 950	875 871 867 863
6V-92TT	9290	.636	290 @ 1900	915	860
6V-92TT	9290	.636	290 @ 1950	915	858
6V-92TT*	9290	.636	270 @ 1950 260 @ 1950 250 @ 1950 240 @ 1950	950 950 950 950	875 871 867 863
6V-92TT	9290	.636	270 @ 2100	1075	995
6V-92TTA*	9A90	.636	270 @ 1900	975	900
6V-92TTA*	9A90	.636	270 @ 1950	975	899
6V-92TTA	9A90	.636	270 @ 1900 260 @ 1900 250 @ 1900 240 @ 1900	915 915 915 915	838 832 825 819
6V-92TTA	9A90	.636	270 @ 1950 260 @ 1950 250 @ 1950 240 @ 1950	915 915 915 915	837 831 824 818
6V-92TTA	9A90	.636	270 @ 2100	1075	995
8V-92TT*	9A90	.570	335 @ 1800	830	765

*Uses Belleville Spring (Orange Dye)

TABLE 1 - Continued

ENGINE TYPE	INJECTOR SIZE	THROTTLE DELAY SETTING	RATED HORSEPOWER @ RATED SPEED	INITIAL IDLE	IDLE DROP SETTING
8V-92TT*	9A90	.570	335 @ 1850	830	763
8V-92TT	9290	.636	365 @ 1900	915	850
8V-92TT	9290	.636	365 @ 1950	915	848
8V-92TT*	9A90	.570	365 @ 1900 335 @ 1900	950 950	880 870
8V-92TT*	9A90	.570	365 @ 1950 335 @ 1950	950 950	878 868
8V-92TT	9290	.636	365 @ 2100	1075	1005
8V-92TTA*	9A90	.636	335 @ 1800	880	795
8V-92TTA*	9A90	.636	335 @ 1850	880	793
8V-92TTA*	9A90	.636	365 @ 1900 335 @ 1900	950 950	877 865
8V-92TTA*	9A90	.636	365 @ 1950 335 @ 1950	950 950	875 863
8V-92TTA	9A90	.636	365 @ 1900 335 @ 1900	950 950	867 845
8V-92TTA	9A90	.636	365 @ 1950 335 @ 1950	950 950	865 843
8V-92TTA	9A90	.636	365 @ 2100	1075	1000

* Uses Belleville Spring (Orange Dye)

TABLE 2
POWER REDUCTION FACTOR

ENGINE TYPE	MAXIMUM RATED B.H.P.	RATED "TT" HORSEPOWER	RATED ENGINE SPEED	NO-LOAD SPEED	POWER REDUCTION FACTOR
6V-92TT - 9290 Injectors Federal Certified Throttle delay setting .636 *Throttle delay setting .570	335 @ 2100 RPM 2275 RPM Maximum No-Load Speed	270*	1800	1950	.91
		270*	1850	2000	.89
		270	1900	2050	.88
		270	1950	2100	.86
		270	2100	2250	.82
		260*	1800	1950	.88
		260*	1850	2000	.86
		260	1900	2050	.84
		260	1950	2100	.83
		250*	1800	1950	.84
		250*	1850	2000	.83
		250	1900	2050	.81
		250	1950	2100	.80
		240*	1800	1950	.81
		240*	1850	2000	.79
240	1900	2050	.78		
240	1950	2100	.77		
6V-92TT - 9290 Injectors Federal Certified Throttle delay setting .636	335 @ 2100 RPM 2275 RPM Maximum No-Load Speed	290	1900	2050	.94
		290	1950	2100	.93
6V-92TTA - 9A90 Injectors California Approved Federal Certified Throttle delay setting .636	318 @ 2100 RPM 2275 RPM Maximum No-Load Speed	270	1900	2050	.91
		270	1950	2100	.89
		270	2100	2250	.86
		260	1900	2050	.87
		260	1950	2100	.86
		250	1900	2050	.84
		250	1950	2100	.83
		240	1900	2050	.81
240	1950	2100	.79		
8V-92TT - 9290 Injectors Federal Certified Throttle delay setting .636	430 @ 2100 RPM 2275 RPM Maximum No-Load	365	1900	2050	.92
		365	1950	2100	.91
		365	2100	2250	.87
8V-92TT - 9A90 Injectors Federal Certified Throttle delay setting .570	430 @ 2100 RPM 2275 RPM Maximum No-Load	335	1800	1950	.87
		335	1850	2000	.86
		335	1900	2050	.85
		335	1950	2100	.83
8V-92TTA - 9A90 Injectors California Approved Federal Certified Throttle delay setting .636	424 @ 2100 RPM 2275 RPM Maximum No-Load	365	1900	2050	.92
		365	1950	2100	.91
		365	2100	2250	.87
		335	1800	1950	.88
		335	1850	2000	.86
		335	1900	2050	.84
		335	1950	2100	.83
8V-92TTA - 9290 Injectors Federal Certified Throttle delay setting .636	440 @ 2100 RPM 2275 RPM Maximum No-Load	365	1900	2050	.90
		365	1950	2100	.89
		365	2100	2250	.85

VARIABLE SPEED MECHANICAL GOVERNOR AND INJECTOR RACK CONTROL ADJUSTMENT

6 and 8V Engines

The single-weight variable speed governor is mounted at the front of the engine and is driven by a blower rotor.

After adjusting the exhaust valves and timing the fuel injectors, adjust the variable speed mechanical governor and position the injector rack control levers.

NOTE: Before proceeding with the governor and injector rack adjustments, disconnect any supplementary governing device. After the adjustments are completed, reconnect and adjust the supplementary governing device as outlined in Section 14.14.

Adjust Governor Gap

With the engine stopped and at normal operating temperature, adjust the governor gap as follows:

1. Disconnect any linkage attached to the governor levers.
2. Back out the buffer screw until it extends approximately $5/8$ " from the lock nut.

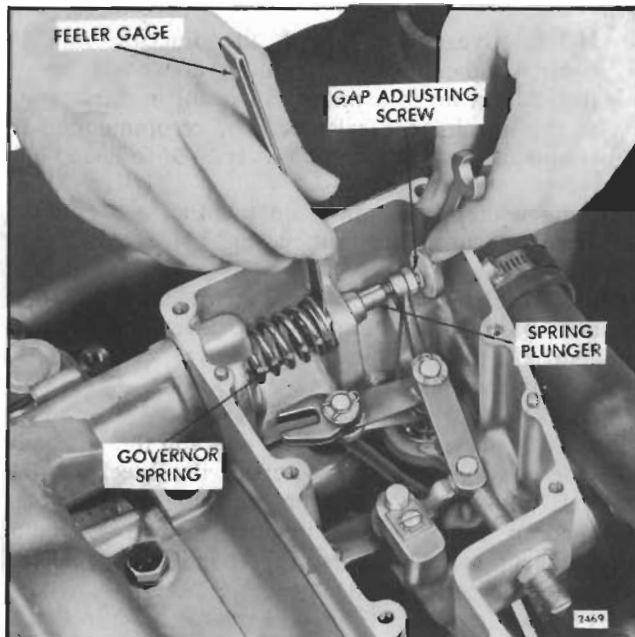


Fig. 1 - Adjusting Governor Gap

3. Clean and remove the governor cover and valve rocker covers. Discard the gaskets.
4. Place the speed control lever in the maximum speed position.
5. Insert a .006" feeler gage between the spring plunger and the plunger guide as shown in Fig. 1. If required, loosen the lock nut and turn the adjusting screw until a slight drag is noted on the feeler gage.
6. Hold the adjusting screw and tighten the lock nut. Check the gap again and, if necessary, readjust.
7. Use a new gasket and install the governor cover.

Position Injector Rack Control Levers

The position of the injector control rack levers must be correctly set in relation to the governor. Their position determines the amount of fuel injected into each cylinder and ensures equal distribution of the load.

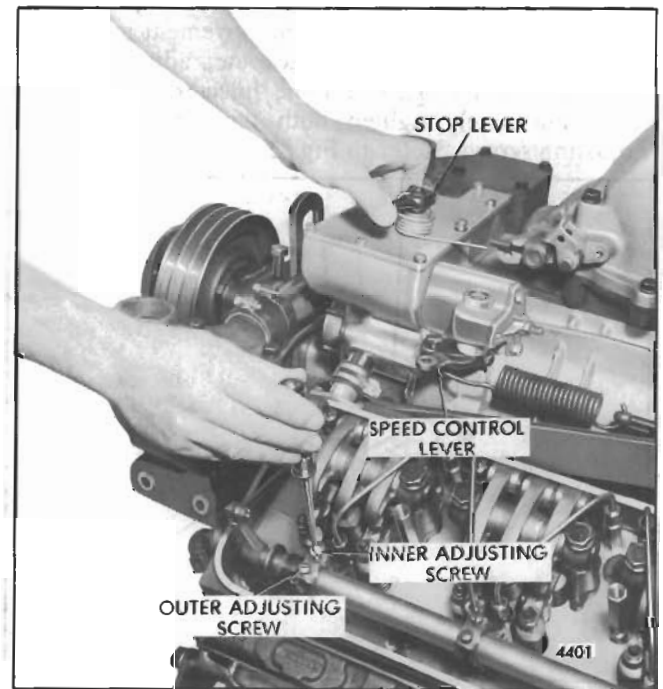


Fig. 2 - Positioning No. 1 Injector Rack Control Lever

Properly positioned injector rack control levers, with the engine at full-load, will result in the following:

1. Speed control lever at the maximum speed position.
2. Stop lever in the run position.
3. High speed spring plunger within .005" to .007" of its seat in the governor control housing.
4. Injector fuel control racks in the full-fuel position.

The letters R and L indicate the injector location in the right or left cylinder bank, viewed from the rear of the engine. The cylinders are numbered starting at the front of the engine on each cylinder bank. Adjust the No. 1L injector rack control lever first to establish a guide for adjusting the remaining control levers.

1. Remove the clevis pin from the fuel rod and the right cylinder bank injector control tube lever.
2. Loosen all of the inner and outer injector rack control lever adjusting screws on both cylinder heads. Be sure all of the injector rack control levers are free on the injector control tubes.
3. Move the speed control lever to the maximum speed position.
4. Move the stop lever to the Run position and hold it in that position with light finger pressure. Turn the inner adjusting screw of the No. 1L injector rack control lever down until a slight movement in the stop lever is noted. Turn down the outer adjusting screw until it bottoms lightly on the injector control tube. Then alternately tighten both the inner and outer adjusting screws. Refer to Fig. 2.

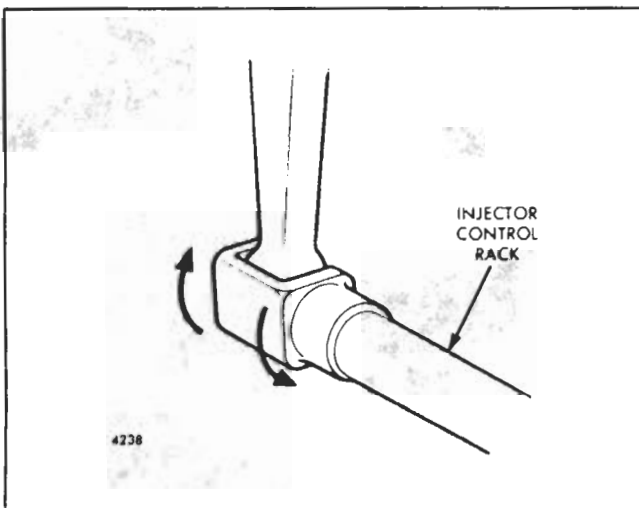


Fig. 3 - Checking Rotating Movement of Injector Control Rack

NOTE: Overtightening of the injector rack control lever adjusting screws during installation or adjustment can result in damage to the injector control tube. The recommended torque of the adjusting screws is 24-36 in-lbs.

IMPORTANT: The above step should result in placing the governor linkage and control tube assembly in the same position that they will attain while the engine is running at full load.

5. To be sure of the proper rack adjustment, hold the stop lever in the run position and press down on the injector rack with a screw driver or finger tip and note the "rotating" movement of the injector control rack (Fig. 3) when the stop lever is in the run position. Hold the stop lever in the run position and, using a screw driver, press downward on the injector control rack. The rack should tilt downward (Fig. 4) and, when the pressure of the screw driver is released, the control rack should "spring" back upward.

If the rack does not return to its original position, it is too loose. To correct this condition, back off the outer adjusting screw slightly and tighten the inner adjusting screw slightly.

The setting is too tight if, when moving the stop lever from the stop to the run position, the injector rack becomes tight before the stop lever reaches the end of its travel. This will result in a step-up in effort required to move the stop lever to the end of its travel. To correct this condition, back off the inner adjusting screw slightly and tighten the outer adjusting screw slightly.

NOTE: Overtightening of the injector rack control tube lever adjusting screws during installation or adjustment can result in damage to the injector control tube. The recommended torque of the adjusting screws is 24-36 in-lbs.

6. Remove the clevis pin from the fuel rod and the left-bank injector control tube lever.
7. Insert the clevis pin in the fuel rod and the right cylinder bank injector control tube lever and position the No. 1R injector rack control lever as previously outlined in Step 4.
8. Insert the clevis pin in the fuel rod and the left bank injector control tube lever. Repeat the check on the No. 1L and No. 1R injector rack control levers as outlined in Step 5. Carefully observe and eliminate any deflection which occurs at the bend in the fuel rod where it enters the cylinder head.

9. To adjust the remaining injector rack control levers, remove the clevis pins from the fuel rods and the injector control tube levers, hold the injector control

racks in the full-fuel position by means of the lever on the end of the control tube and proceed as follows:

- a. Turn down the inner adjusting screw of the injector rack control lever until the screw bottoms (injector control rack in the full-fuel position).
- b. Turn down the outer adjusting screw of the injector rack control lever until it bottoms on the injector control tube.
- c. While still holding the control tube lever in the full-fuel position, adjust the inner and outer adjusting screws to obtain the same condition as outlined in Step 5. Tighten the screws.

CAUTION: Once the No. 1L and No. 1R injector rack control levers are adjusted, do not try to alter their settings. All adjustments are made on the remaining control racks.

10. When all of the injector rack control levers are adjusted, recheck their settings. With the control tube lever in the full-fuel position, check each control rack as in Step 5. All of the control racks must have the same "spring" condition with the control tube lever in the full-fuel position.

11. Insert the clevis pins in the fuel rods and the injector control tube levers.

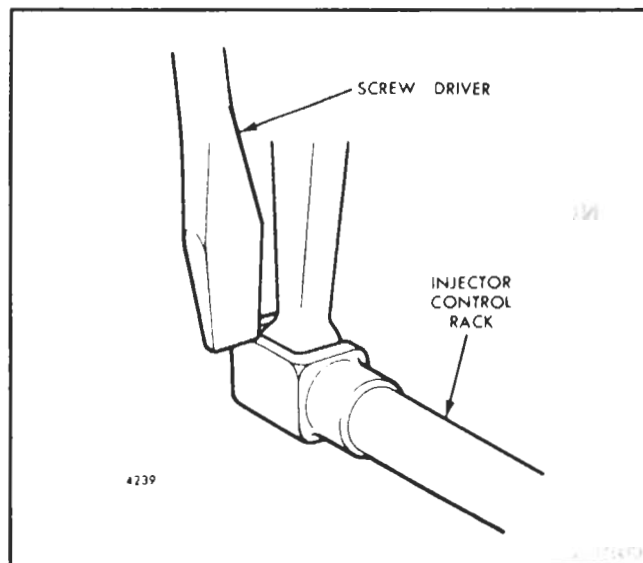


Fig. 4 - Checking Injector Control Rack "Spring"

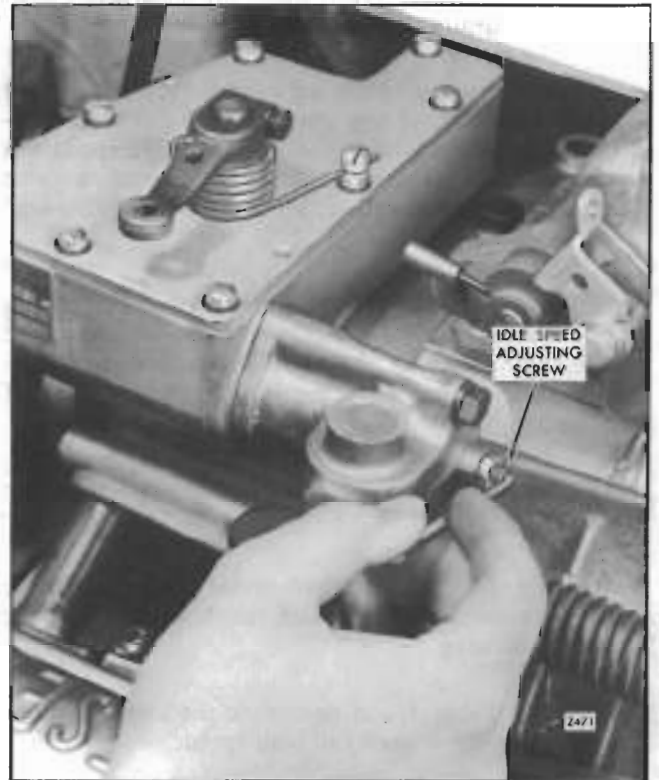


Fig. 5 - Adjusting Idle Speed

12. Use new gaskets and replace the valve rocker covers.



Fig. 6 - Adjusting Buffer Screw

Adjust Maximum No-Load Speed

All governors are properly adjusted before leaving the factory. However, if the governor has been reconditioned or replaced, and to ensure the engine speed will not exceed the recommended no-load speed as given on the engine option plate, set the maximum no-load speed as outlined below.

Start the engine and, after it reaches normal operating temperature, determine the maximum no-load speed of the engine with an accurate hand tachometer. Then stop the engine and make the following adjustments, if required:

1. Disconnect the booster spring and the governor stop lever spring.
2. Remove the variable speed spring housing and the spring retainer located inside the housing from the governor housing.
3. Refer to Table 1 and determine the stops or shims required for the desired full-load speed.
4. Install the variable speed spring retainer and housing and tighten the two bolts.
5. Connect the booster spring. Start the engine and recheck the maximum no-load speed.
6. If required, add or remove shims to obtain the desired full-load speed. The speed will increase approximately 1 rpm for each .001" in shims added.

IMPORTANT: If the maximum no-load speed is raised or lowered more than 50 rpm by the installation or removal of shims, recheck the governor gap. If readjustment of the governor gap is required, the position of the injector racks must be rechecked.

NOTE: Governor stops are used to limit the compression of the governor spring, which determines the maximum speed of the engine.

Full Load Speed*	Stops	Shims
1200 - 1750	2	Up to .325"
1750 - 2100	1	in Shims
2100 - 2300	0	Maximum

*No-Load Speed is 150-200 rpm above the Full-Load Speed, depending on engine application.

TABLE 1

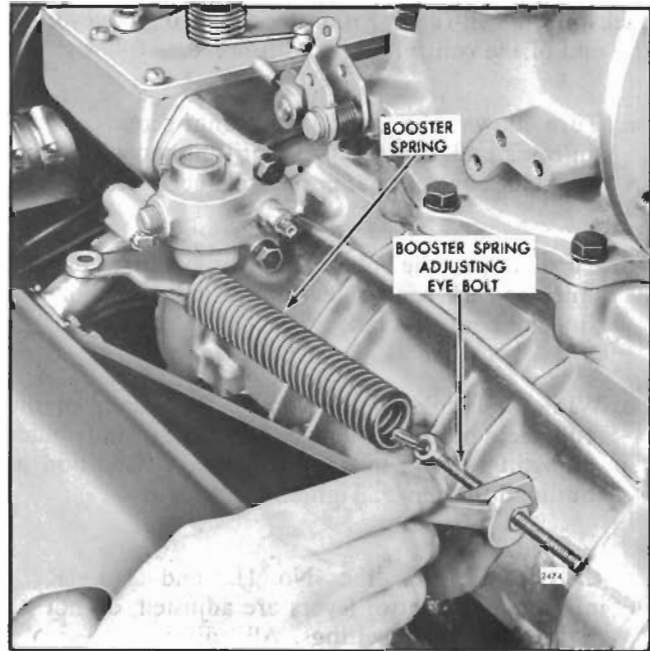


Fig. 7 - Adjusting Booster Spring

Adjust Idle Speed

With the maximum no-load speed properly adjusted, adjust the idle speed as follows:

1. Place the speed control lever in the idle position and the stop lever in the run position.
2. With the engine running at normal operating temperature, back out the buffer screw to avoid contact with the differential lever.
3. Loosen the lock nut and turn the idle speed adjusting screw (Fig. 5) until the engine is operating at approximately 15 rpm below the recommended idle speed.

NOTE: The recommended idle speed is 500 rpm, but may vary with special engine applications.

4. Hold the idle speed adjusting screw and tighten the lock nut.

Adjust Buffer Screw

1. With the engine running at normal operating temperature, turn the buffer screw in (Fig. 6) so that it contacts the differential lever as lightly as possible and still eliminates engine roll.

NOTE: Do not raise the engine idle speed more than 15 rpm with the buffer screw.

2. Hold the buffer screw and tighten the lock nut.

Adjust Booster Spring

With the idle speed adjusted, adjust the booster spring as follows:

1. Move the speed control lever to the idle speed position.
2. Refer to Fig. 7 and loosen the booster spring retaining nut on the speed control lever. Loosen the lock nuts on the eye bolt at the opposite end of the booster spring.
3. Move the bolt in the slot of the speed control lever

until the center of the bolt is on or slightly over center (toward the idle speed position) of an imaginary line through the bolt, lever shaft and eye bolt. Hold the bolt and tighten the lock nut.

4. Start the engine and move the speed control lever to the maximum speed position and release it. The speed control lever should return to the idle position. If it does not, reduce the tension on the booster spring. If it does, continue to increase the spring tension until the point is reached that it will not return to idle. Then reduce the tension until it does return to idle and tighten the lock nut on the eye bolt. This setting will result in the minimum force required to operate the speed control lever.

5. Connect the linkage to the governor levers.

VARIABLE SPEED MECHANICAL GOVERNOR AND INJECTOR RACK CONTROL ADJUSTMENT

16V Engine

The governor (Fig. 1) on the 16V engine is mounted on and driven from the front end of the rear blower.

After adjusting the exhaust valves and timing the fuel injectors, adjust the governor and injector rack control levers.

If the engine or governor has been overhauled, or the injector control linkage has been disturbed, the control link levers in the governor housing and auxiliary control link housing must be aligned before proceeding with the engine tune-up. Refer to Fig. 2 and position the control link levers as follows:

1. Disconnect the linkage to the governor speed control and stop levers.
2. Remove the covers from the governor housing and auxiliary control link housing.
3. Disconnect the adjustable link from the lever in the auxiliary control link housing.
4. Remove the connecting pin from the auxiliary governor control link lever.
5. Install gage J 21779 so it extends through the lever and fuel rod and into the gage hole in the bottom of the housing. With the gage in place, the auxiliary control link lever will be in the mid-travel position.
6. Remove the connecting pin from the control link lever in the governor housing and install gage J 21780. Install the gage so the pin extends through the

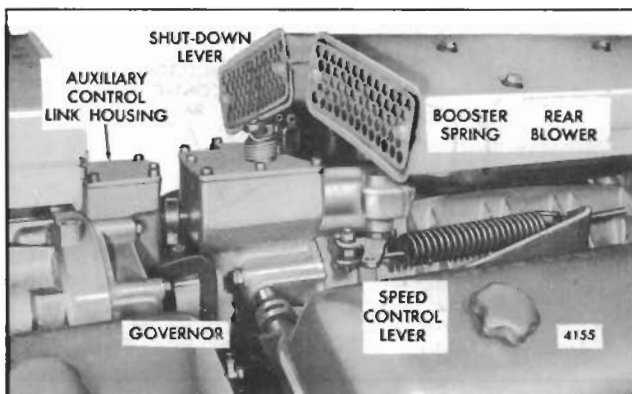


Fig. 1 - Governor Mounting

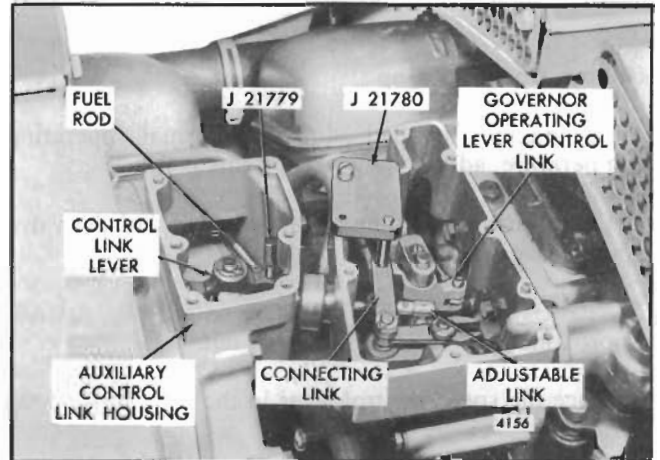


Fig. 2 - Positioning Control Link Levers

connecting link, control lever, and fuel rod; and the governor housing dowel pin extends into the small hole in the gage. Then install a governor cover bolt as shown in Fig. 2 to lock the gage in place. With gage J 21780 in place, the governor control link lever will be in the mid-travel position and parallel to the auxiliary control link lever.

7. Adjust the length of the adjustable connecting link to retain the lever positions obtained in Steps 5 and 6 and install the link.

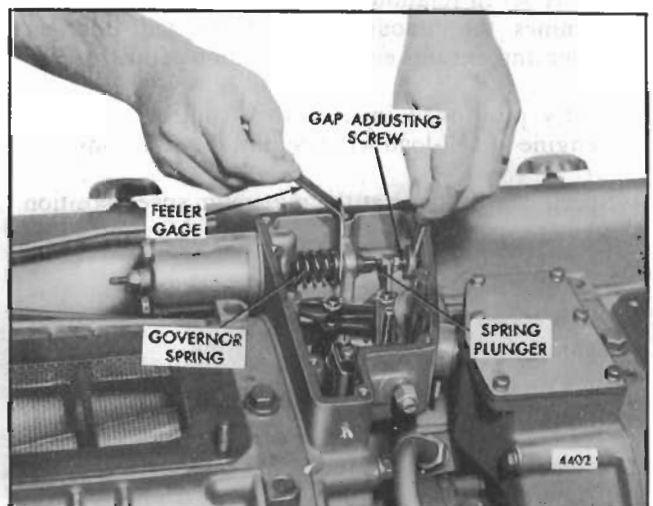


Fig. 3 - Adjusting Governor Gap

8. Remove gages J 21779 and J 21780 and reinstall the control link lever connecting pins.

9. Install the governor housing and auxiliary control link housing covers.

Proceed with the governor and injector rack control adjustment.

Adjust Governor Gap

With engine stopped and at normal operating temperature, adjust the governor gap as follows:

1. Clean and remove the governor cover and the valve rocker covers. Discard the gaskets.
2. Back out the buffer screw until it extends approximately $5/8$ " from the lock nut.
3. Place the speed control lever in the maximum speed position.
4. Insert a .006" feeler gage between the spring plunger and the plunger guide as shown in Fig. 3. If required, loosen the lock nut and turn the adjusting screw until a slight drag is noted on the feeler gage.
5. Hold the adjusting screw and tighten the lock nut. Check the gap and readjust if necessary.
6. Use a new gasket and install the governor cover.

Position Injector Rack Control Levers

The position of the injector control rack levers must be correctly set in relation to the governor. Their position determines the amount of fuel injected into each cylinder and ensures equal distribution of the load.

Properly positioned injector rack control levers with the engine at full-load will result in the following:

1. Speed control lever at the maximum speed position.
2. Stop lever in the run position.
3. High speed spring plunger within .005" to .007" of its seat in the governor control housing.
4. Injector fuel control racks in the full-fuel position.

The letters R and L indicate the injector location on the right or left cylinder bank, viewed from the rear of the engine. Cylinders are numbered starting at the front of the engine on each cylinder bank. Adjust the No. 4R injector rack control lever first to establish a



Fig. 4 - Positioning No. 4R Injector Rack Control Lever

guide for adjusting the remaining right bank injector rack control levers.

1. Remove the clevis pins which attach the right rear bank and both left-bank fuel rods to the injector control tube levers.

2. Loosen all of the inner and outer injector rack

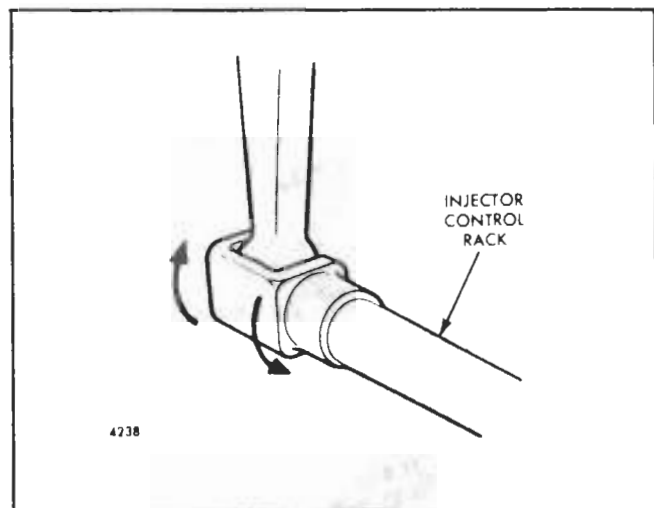


Fig. 5 - Checking Rotating Movement of Injector Control Rack

control lever adjusting screws on both cylinder banks. Be sure all of the levers are free on the injector control tubes.

3. Move the speed control lever to the maximum speed position.

4. Move the stop lever to the RUN position and hold it in that position with a light finger pressure. Turn the inner adjusting screw of the No. 4R injector rack control lever down until a slight movement of the stop lever is noted (Fig. 4). Turn down the outer adjusting screw until it bottoms lightly on the control tube. Then alternately tighten both the inner and outer adjusting screws.

NOTE: Overtightening of the injector rack control lever adjusting screws during installation or adjustment can result in damage to the injector control tube. The recommended torque of the adjusting screws 24-36 in-lbs.

IMPORTANT: The above step should result in placing the governor linkage and control tube assembly in the same position that they will attain while the engine is running at full load.

5. To be sure of the proper rack adjustment, hold the stop lever in the RUN position and press down on the injector rack with a screw driver or finger tip and note the "rotating" movement of the injector control rack (Fig. 5) when the stop lever is in the run position. Hold the stop lever in the run position and, using a screw driver, press downward on the injector control rack. The rack should tilt downward (Fig. 6) and,

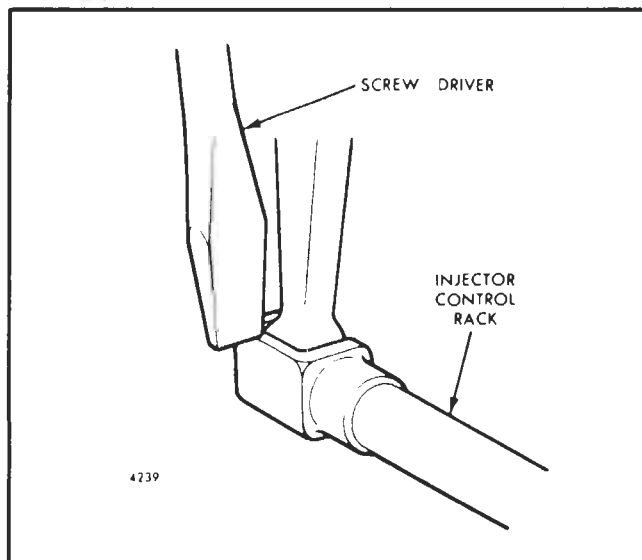


Fig. 6 - Checking Injector Control Rack "Spring"

when the pressure of the screw driver is released, the control rack should "spring" back upward.

If the rack does not return to its original position, it is too loose. To correct this condition, back off the outer adjusting screw slightly and tighten the inner adjusting screw slightly.

The setting is too tight if, when moving the stop lever from the stop to the run position, the injector rack becomes tight before the stop lever reaches the end of its travel. This will result in a step-up in effort required to move the stop lever to the end of its travel. To correct this condition, back off the inner adjusting screw slightly and tighten the outer adjusting screw slightly.

6. Remove the fuel rod-to-control tube lever clevis pin from the right front bank fuel rod and install it on the right rear bank fuel rod and adjust the No. 5R injector rack as outlined in Steps 4 and 5.

7. Repeat Step 6 for adjustment of the No. 4L and 5L injector racks. When the settings are correct, the No. 4R, 5R, 4L and 5L injector racks will be snug on the ball end of the control levers when the injectors are in the full-fuel position.

8. With the fuel rod disconnected from the injector control tube lever, adjust the remaining injector rack control levers on the right front bank. Hold the No. 4R injector rack in the full-fuel position by means of the control tube lever and turn the inner adjusting screw of the No. 3R injector rack control lever until the injector rack has moved into the full-fuel position. Turn the outer adjusting screw down until it bottoms lightly on the injector control tube. Then alternately tighten both the inner and outer adjusting screws.

NOTE: Overtightening of the injector rack control tube lever adjusting screws during

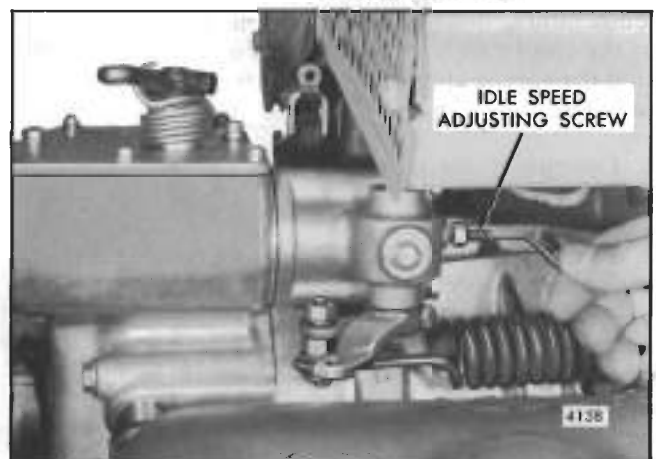


Fig. 7 - Adjusting Idle Speed

installation or adjustment can result in damage to the injector control tube. The recommended torque of the adjusting screws is 24-36 in-lbs.

9. Recheck the No. 4R injector rack to be sure it has remained snug on the ball end of the injector rack control lever. If the rack of the No. 4R injector has become loose, back off the inner adjusting screw slightly on the No. 3R injector rack control lever and tighten the outer adjusting screw. When the settings are correct, both injector racks must respond in the same manner on the ball ends of the control levers when the injector control tube lever is held in the full-fuel position.

10. Position the remaining injector rack control levers on the right front cylinder bank as outlined in Steps 8 and 9.

11. Adjust the remaining injector rack control levers on the right rear, left front and left rear cylinder banks in the same manner as outlined in Steps 8, 9 and 10.

12. Install the four fuel rod-to-control tube lever clevis pins and check the adjustment of the injector rack control levers.

13. Use new gaskets and install the valve rocker covers.

Adjust Maximum No-Load Speed

All governors are properly adjusted before leaving the factory. However, if the governor has been reconditioned or replaced, and to ensure the engine speed will not exceed the recommended no-load speed as given on the engine option plate, set the maximum no-load speed as outlined below.

Start the engine and, after it reaches normal operating temperature, determine the maximum no-load speed of the engine with an accurate hand tachometer. Then stop the engine and make the following adjustments, if required:

1. Disconnect the booster spring and governor stop lever.
2. Remove the variable speed spring housing and the variable speed spring plunger inside the housing.
3. Refer to Table 1 and determine the stops or shims required for the desired full-load speed. The speed will increase approximately 1 rpm for each .001" in shims added.
4. Install the variable speed spring plunger and housing and tighten the two bolts.



Fig. 8 - Adjusting Buffer Screw

Full Load Speed*	Stops	Shims
1200 - 1750	2	Up to .325"
1750 - 2100	1	in Shims
2100 - 2300	0	Maximum

*No Load Speed is 150-225 rpm above Full-Load Speed depending on engine application.

TABLE 1

5. Connect the booster spring. Start the engine and recheck the maximum no-load speed.

6. If required, add or remove shims to obtain the desired full-load speed. The speed will increase approximately 1 rpm for each .001" in shims added.

IMPORTANT: If the maximum no-load speed is raised or lowered more than 50 rpm by the installation or removal of shims, recheck the governor gap. If readjustment of the governor gap is required, the position of the injector racks must be rechecked.

NOTE: Governor stops are used to limit the compression of the governor spring, which determines the maximum speed of the engine.

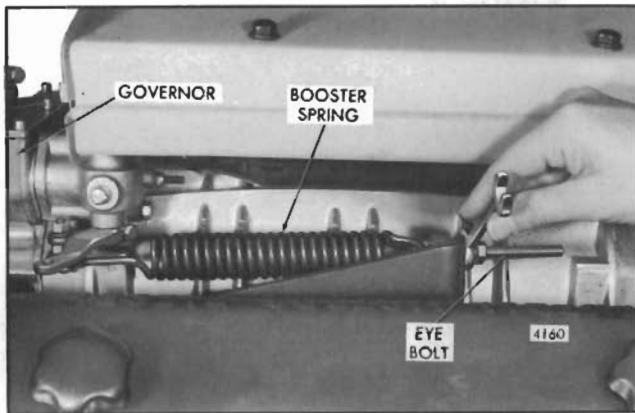


Fig. 9 - Adjusting Booster Spring

Adjust Idle Speed

With the maximum no-load speed properly adjusted, adjust the idle speed as follows:

1. Place the speed control lever in the idle position and the stop lever in the run position.
2. With the engine running at normal operating temperature, back out the buffer screw to avoid contact with the differential lever.
3. Loosen the lock nut and turn the idle speed adjusting screw (Fig. 7) until the engine is operating at approximately 15 rpm below the recommended idle speed.

NOTE: The recommended idle speed is 550 rpm, but may vary with special engine applications.

4. Hold the idle speed adjusting screw from turning and tighten the lock nut.

Adjust Buffer Screw

1. With the engine running at normal operating temperature, turn the buffer screw IN (Fig. 8) so it contacts the differential lever as lightly as possible and still eliminates engine roll.

NOTE: Do not raise the idle speed more than 15 rpm with the buffer screw.

2. Hold the buffer screw from turning and tighten the lock nut.

Adjust Booster Spring

With the idle speed adjusted, adjust the booster spring as follows:

1. Move the speed control lever to the idle speed position.
2. Refer to Fig. 9 and loosen the nut on the booster spring retaining bolt on the governor speed control lever. Loosen the lock nuts on the eye bolt at the opposite end of the spring.
3. Move the bolt in the slot of the speed control lever until the center of the bolt is on or slightly over center toward the idle speed position of an imaginary line through the bolt, lever shaft and eye bolt. Hold the bolt from turning and tighten the nut.
4. Start the engine and move the speed control lever to the maximum speed position and release it. The speed control lever should return to the idle position. If it does not, reduce the spring tension. If the lever does return to the idle position, increase the tension of the spring until the lever will not return to idle. Then reduce the tension until the lever will return to idle and tighten the lock nuts on the eye bolt. This setting will result in a minimum force required to operate the speed control lever.

5. Connect the linkage to the governor levers.



SG VARIABLE SPEED HYDRAULIC GOVERNOR AND INJECTOR RACK CONTROL ADJUSTMENT (6 AND 8V)

After adjusting the exhaust valves and timing the fuel injectors, adjust the governor linkage and position the injector rack control levers (Fig. 1).

Adjust Governor Linkage and Position Injector Rack Control Levers

1. Remove the valve rocker cover from each cylinder head.
2. Loosen all the inner and outer injector rack control lever adjusting screws. Be sure all control levers are free on the control tubes.
3. Disconnect the vertical link assembly from the governor operating lever and the bell crank.
4. Loosen the bolt and slide the governor operating lever from the serrated shaft.
5. Place the bolt (removed from the lower end of the vertical link) through the bell crank and into the recessed hole in the drive housing (Fig. 2).
6. **Adjust the No. 1R injector rack** by turning the inner adjusting screw down until it bottoms on the control tube (Fig. 2). Turn down the outer adjusting screw until it also bottoms on the control tube. Then alternately tighten both the inner and outer adjusting screws.

CAUTION: Care should be taken to avoid setting the racks too tight causing the fuel rod to bend.

7. To be sure the rack control lever is properly adjusted, the following check should be performed:

Press down on the injector rack with a screw driver or finger tip (Fig. 3). A light pressure should cause the rack to rotate. The rack is sufficiently tight if the rack returns or "springs" back to its original position when the pressure is removed. The rack is too tight if a heavy pressure is required to rotate the rack.

8. Adjust the No. 1L injector rack control lever as outlined in Steps 6 and 7.

9. Check the adjustment on the No. 1R and 1L injector rack control lever. If the setting is correct, the injector racks will be in the full-fuel position and snug on the ball end of the control levers.

10. To adjust the remaining injector rack control levers, hold the No. 1L injector rack in the full-fuel position by means of the lever on the end of the control tube assembly. Turn down the inner adjusting screw of the No. 2L injector rack control lever until

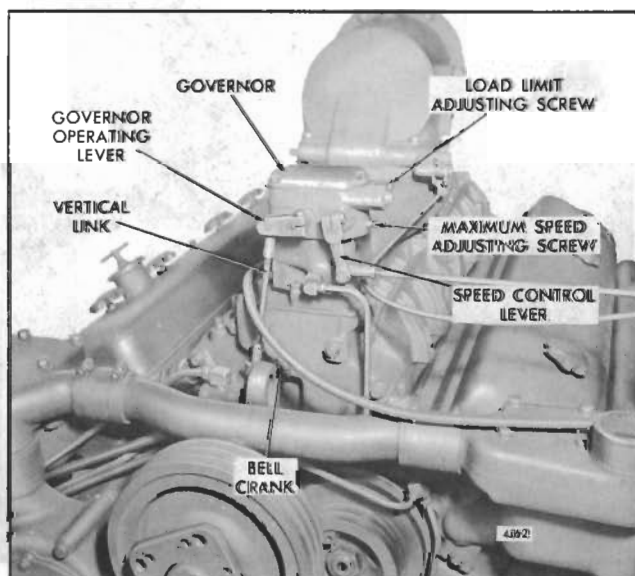


Fig. 1 - Hydraulic Governor Mounted on Engine

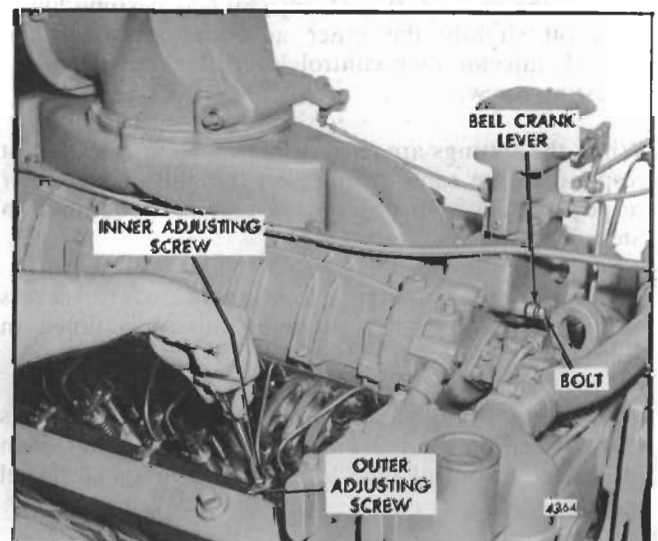


Fig. 2 - Positioning No. 1R Injector Rack Control Lever

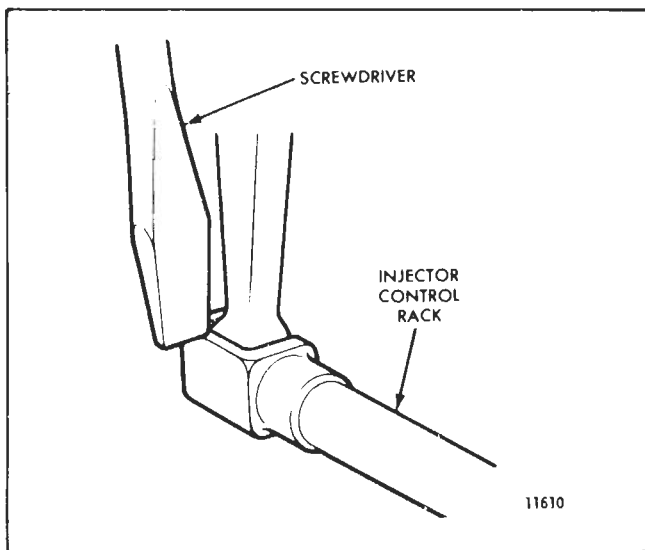


Fig. 3 - Checking Injector Rack "Spring"

the injector rack has moved into the full-fuel position. Turn the outer adjusting screw down until it bottoms lightly on the injector control tube. Then alternately tighten both the inner and outer adjusting screws.

CAUTION: Overtightening of the injector rack control tube lever adjusting screws during installation or adjustment can result in damage to the injector control tube. The recommended torque of the adjusting screws is 24-36 **in-lbs** (3-4 Nm).

Recheck the No. 1L injector rack to be sure that it has remained snug on the ball end of the injector rack control lever while positioning the No. 2L injector rack. If the rack of No. 1L injector has become loose, back off slightly the inner adjusting screw on the No. 2L injector rack control lever. Tighten the outer adjusting screw.

When the settings are correct, both injector racks must respond **in** the same manner on the **ball end** of their respective rack control levers as previously outlined in Step 7.

11. Position the remaining injector rack control levers on the left and right cylinder heads as outlined in Step 10.

When the settings are correct, **all of the injector racks will be snug on the ball end of the control levers when the injector control-tube lever is held in the full-fuel position.**

12. Replace the governor operating lever on the serrated shaft so that the bolt hole is lined up within the proper lines on the linkage gage (Fig. 4). The type

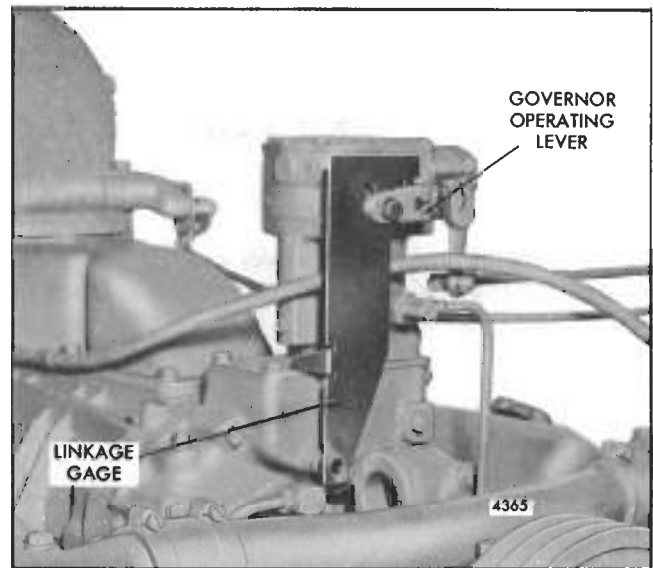


Fig. 4 - Positioning Governor Operating Lever

of governor (SGX or PSG) will determine the proper position of the lever.

13. Remove the gage.

14. Move the bell crank lever to the no-fuel position.

15. Adjust the length of the vertical link so that the bolt holes of the levers and the centers of the rod end bearings are lined up (Fig. 5).

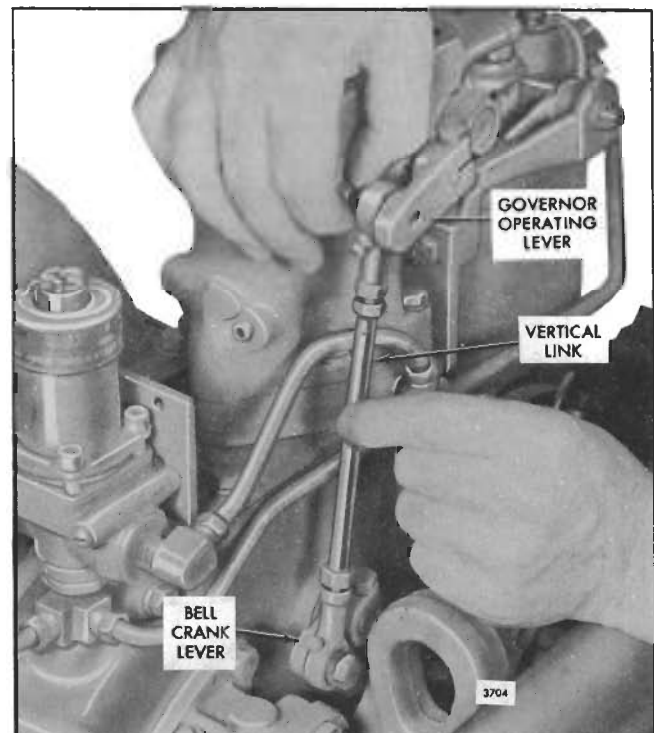


Fig. 5 - Adjusting Vertical Link

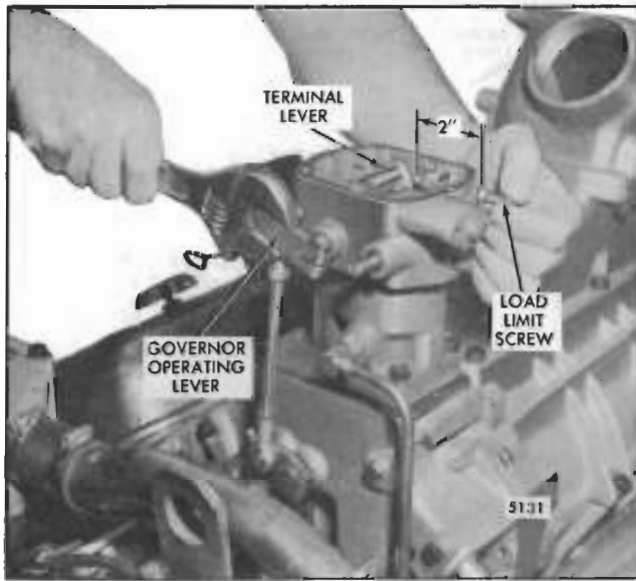


Fig. 6 - Adjusting Load Limit Screw

16. Replace the two bolts in the levers and tighten the bolts.

17. Remove the governor cover.

18. With the load limit screw backed all the way out, retain the governor operating lever in the full-fuel position. The governor terminal lever should touch the boss in the governor housing (Fig. 6). Adjust the vertical link so that all of the injector racks are in the full-fuel position, then tighten the rod end lock nuts securely.

Adjust Load Limit

The load limit is set at the factory and further adjustment should be unnecessary. However, if the governor has had major repairs or the injector rack control levers have been repositioned, the load limit screw should be readjusted.

With the injector rack control levers properly adjusted, the load limit may be set as follows:

1. Loosen the load limit screw locknut (Fig. 6) and adjust the screw to obtain a distance of approximately 2" from the outside face of the boss on the governor sub-cap to the end of the screw.

2. Place the fuel rod and terminal lever in the full-fuel position-(Fig. 6).

3. Turn the load limit screw until a .020" space exists between the fuel rod collar and the terminal lever, then hold the screw and tighten the lock nut.

Compensation Needle Valve Adjustment (PSG Governor)

Start the engine and, after the engine reaches normal operating temperature, adjust the governor compensation needle valve (without load on the engine) as follows:

1. Open the compensation needle valve (Fig. 10) two or three turns and allow the engine to "hunt" or "surge" for about one-half minute to bleed any air which may be trapped in the governor oil passages.

2. Gradually close the valve until the "hunting" just stops. Check the amount of valve opening by closing the valve completely and noting the number of turns required to close it. Open the valve to the previously determined position at which the "hunting" stopped. Test the action of the governor by manually disturbing the engine speed. The engine should return promptly to the original steady speed with only a small overshoot. The correct valve setting will be between 1/8 and 1/2 turn open. Closing the valve farther than necessary will make the governor slow in returning the engine to normal speed after a load change.

Adjust Governor Speed Droop

INTERNAL DROOP ADJUSTMENT

The purpose of adjusting the speed droop is to establish a definite engine speed at no-load with a given speed at rated full load.



Fig. 7 - Adjusting Speed Droop

The governor speed droop is set at the factory and further adjustment should be unnecessary. However, if the governor has been overhauled, the speed droop must be readjusted.

The best method of determining the engine speed is by using an accurate hand tachometer.

If a full rated load can be established on the unit, and the fuel rods, injector rack control levers and the load limit have been adjusted, set the speed droop as follows:

1. Start the engine and run it at approximately one-half the rated no-load speed until the lubricating oil temperature stabilizes.

NOTE: When the engine lubricating oil is cold, the governor regulation may be erratic. Regulation will become increasingly stable as the temperature of the oil increases.

2. Stop the engine and remove the governor cover.
3. Loosen the lock nut and back off the maximum speed adjusting screw approximately 5/8".
4. Loosen the droop adjusting bolt on former units or the screw on current units. Move the droop bracket so that the screw is midway between the ends of the slot in the bracket. Tighten the screw (Fig. 7).
5. With the throttle in the RUN position, adjust the engine speed until the engine is operating at 3% to 5% above the recommended full load speed.
6. Apply the full rated load on the engine and readjust the engine speed to the correct full load speed.
7. Remove the rated load and **note the engine speed** after the speed stabilizes under **no-load**. If the speed droop is correct, the engine speed will be approximately 3% to 5% higher than the full load speed.

If the speed droop is too high, stop the engine, loosen the droop adjusting screw and move the adjusting bracket **IN** toward the center of the governor. Tighten the screw. To **increase the speed droop**, move the bracket **OUT**, away from the center of the governor.

The speed droop in governors which control engines driving generators in parallel must be identical, otherwise the electrical load will not be equally divided.

Adjust the speed droop bracket in each governor to obtain the desired variation between engine no-load and full load speeds. The recommended speed droop for generator sets operating in parallel is 50 rpm (2-1/2 cycles) for units operating at 1,000 and 1,200 rpm,

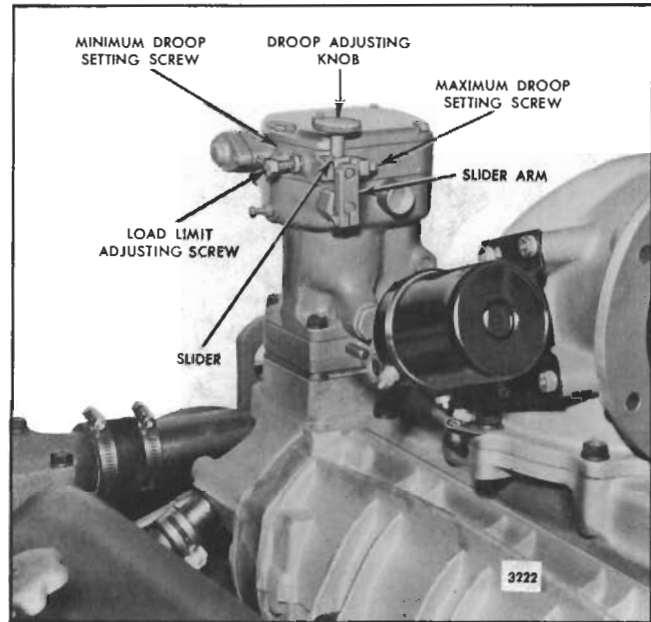


Fig. 8 - External Droop Control on PSG Isochronous Governor

and 75 rpm (2-1/2 cycles) for units operating at 1,500 and 1,800 rpm (Table 1). However, this speed droop recommendation may be varied to suit the individual application.

EXTERNAL DROOP CONTROL

Some PSG type governors are equipped with an external adjustable droop control (Fig. 8). This permits the speed droop to be adjusted without removing the governor cover. With this feature, a unit can be paralleled with another unit that is operating at constant frequency (zero droop). The incoming unit must have its droop bracket set in the maximum position while it is being paralleled and while operating in parallel. When it is desired to stop the unit operating at constant frequency, shift the load to the incoming unit and move the governor droop bracket to zero droop. Then adjust the outgoing unit to maximum droop, remove it from the line and stop the engine. The incoming unit will now be carrying the load and operating at constant frequency (zero droop).

Adjust the governor speed droop as follows:

Full Load	No Load
50 cycles, 1000 rpm	52.5 cycles, 1050 rpm
60 cycles, 1200 rpm	62.5 cycles, 1250 rpm
50 cycles, 1500 rpm	52.5 cycles, 1575 rpm
60 cycles, 1800 rpm	62.5 cycles, 1875 rpm

TABLE 1

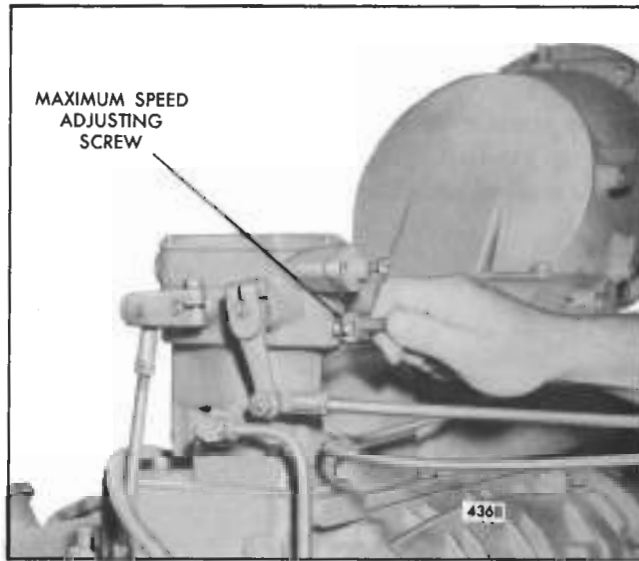


Fig. 9 - Adjusting Maximum No-Load Engine Speed

1. Start the engine and run it at approximately one-half of the rated full load speed until the lubricating oil temperature stabilizes.
2. Remove the load from the engine.
3. Back off the compensation needle valve to release any air that may be trapped in the system. Turn the needle valve in slowly to reduce governor "hunting". The correct needle valve setting will be between 1/8 and 1/2 turn open.
4. Back out the minimum and maximum droop setting screws.
5. Loosen the droop adjusting knob and move the slide all the way in toward the center of the governor. Then tighten the knob.
6. Loosen the lock nut on the maximum speed adjusting screw (Fig. 9) and turn the screw out until 5/8 " of the threads are exposed.
7. With the engine operating at the recommended full load speed, apply the full rated load and recheck the engine speed. If required, readjust the engine to full load speed.
8. Remove the load and note the engine speed. If the zero droop setting is correct, the engine speed will remain constant. If the engine speed is higher, loosen the droop adjusting knob and set the slider to a reduced droop position.
9. When the desired minimum droop setting is reached, loosen the lock nut and turn the minimum droop setting screw inward until it contacts the droop

linkage within the governor. This will be felt by a step up of resistance while turning the adjusting screw. Lock the adjusting screw in this position.

10. Loosen the droop adjusting knob and slide the droop bracket in a direction to increase the droop. Perform Steps 7 and 8 to check the droop until the desired maximum speed droop is attained.

11. When the desired maximum droop setting is reached, loosen the lock nut and turn the maximum droop setting screw inward until it contacts the droop slider arm. Lock the adjusting screw in this position.

12. Recheck the minimum and maximum droop setting as outlined in Steps 7 and 8 and adjust the adjustment screws, if necessary, until the correct settings are obtained.

Adjust Maximum No-Load Speed

With the speed droop properly adjusted, set the maximum no-load speed as follows:

1. With the engine operating at no-load, adjust the speed until the engine is operating at approximately 8% higher than the rated full load speed.
2. Turn the maximum speed adjusting screw (Fig. 9) in until the screw contacts the throttle linkage internally, limiting the maximum speed of the engine at 8% above the rated full load speed.
3. Hold the screw and tighten the lock nut.

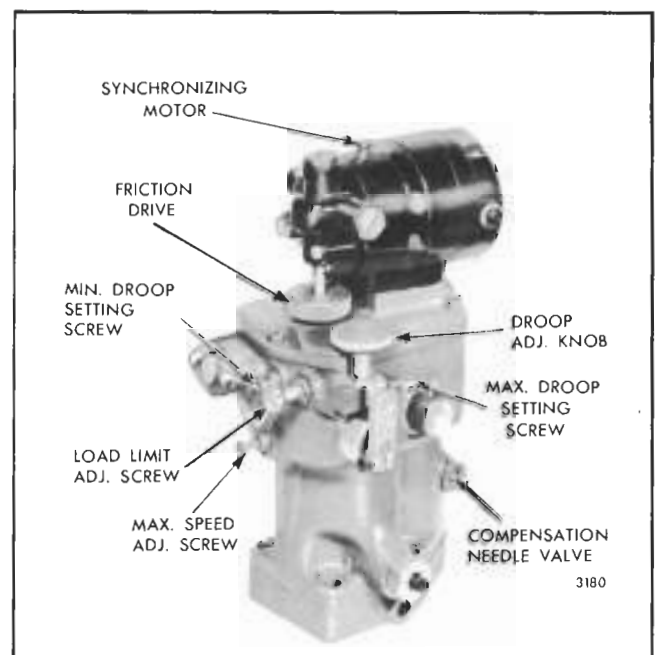


Fig. 10 - Typical Synchronizing Motor Mounting

Governors With Synchronizing Motor

Some hydraulic governors are equipped with a reversible electric synchronizing motor (Fig. 10) mounted on the governor cover.

The adjustments on a governor equipped with a

synchronizing motor are the same as on a governor without the motor. However, the governor cover and motor assembly must be removed when setting the engine speed droop (except on a governor equipped with an external **droop** adjustment). The cover and motor must be **reinstalled** to check the speed droop.

SG VARIABLE SPEED HYDRAULIC GOVERNOR AND INJECTOR RACK CONTROL ADJUSTMENT (16V)

The governor on the 16V engine is mounted on and driven from the front end of the rear blower (Fig. 1). The governor-to-injector control tube linkage is shown in Fig. 2.

After adjusting the exhaust valves and timing the fuel injectors, adjust the governor linkage and position the injector rack control levers.

Adjust Governor Linkage and Position Injector Rack Control Levers

1. Remove the valve rocker cover from each cylinder head.
2. Loosen all the inner and outer injector rack control lever adjusting screws. Be sure all control levers are free on the control tubes.
3. Disconnect the vertical link assembly from the governor operating lever and the bell crank (Fig. 1).
4. Loosen the bolt and slide the governor operating lever from the serrated shaft.
5. Place the bolt (removed from the lower end of the vertical link) through the bell crank and into the recessed hole in the governor drive housing (Fig. 3).
6. Adjust the No. 4R injector rack by turning the inner adjusting screw down until it bottoms on the control tube (Fig. 4). Turn down the outer adjusting screw until it also bottoms on the control tube.

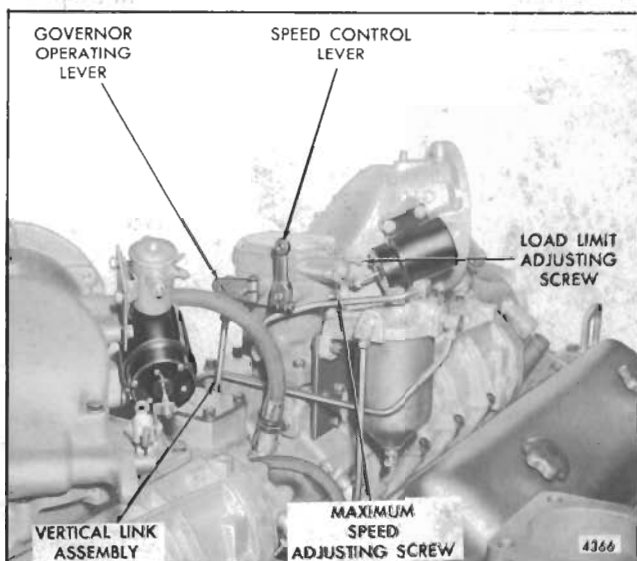


Fig. 1 - Hydraulic Governor Mounting

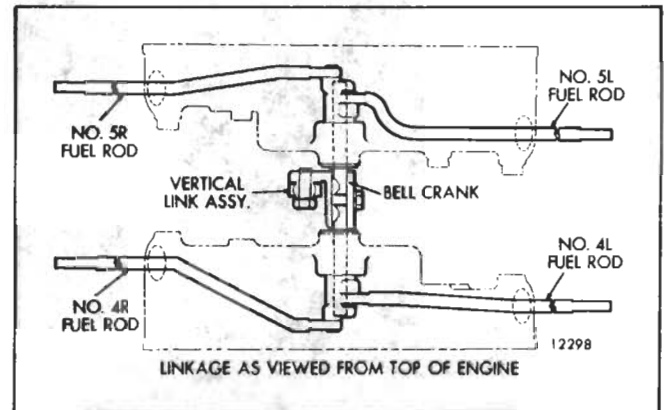


Fig. 2 - Governor to Injector Rack Control Linkage

Alternately tighten both the inner and outer adjusting screws.

CAUTION: Care should be taken to avoid setting the racks too tight causing the fuel rod to bend.

7. To be sure the rack control lever is properly adjusted, the following check should be performed:

Press down on the injector rack with a screw driver or

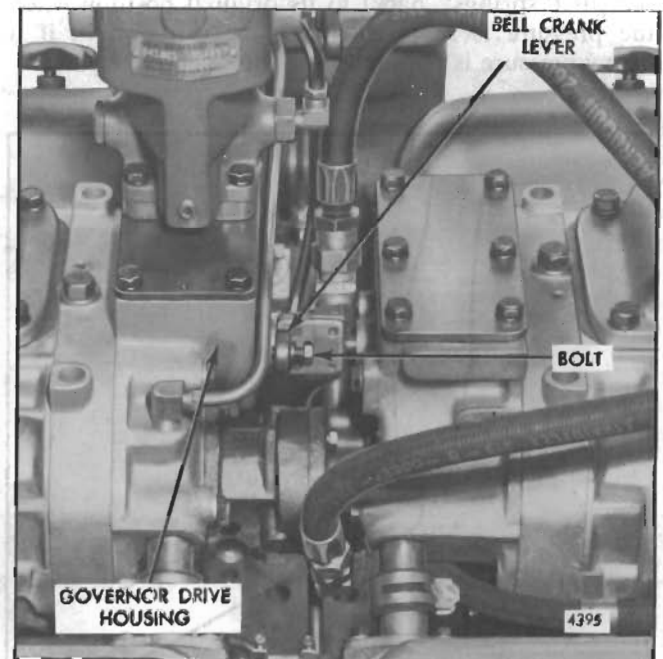


Fig. 3 - Positioning Bolt through Bell Crank Lever

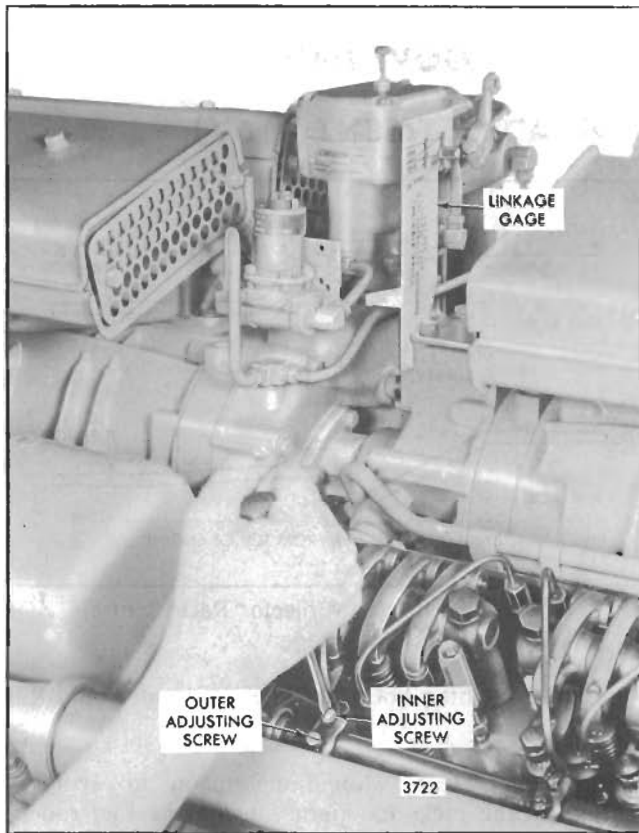


Fig. 4 - Positioning No. 4R Injector Rack Control Lever

finger tip (Fig. 5). A light pressure should cause the rack to rotate. The rack is sufficiently tight if the rack returns ("springs" back) to its original position when the pressure is removed. The rack is too tight if a heavy pressure is required to rotate the rack.

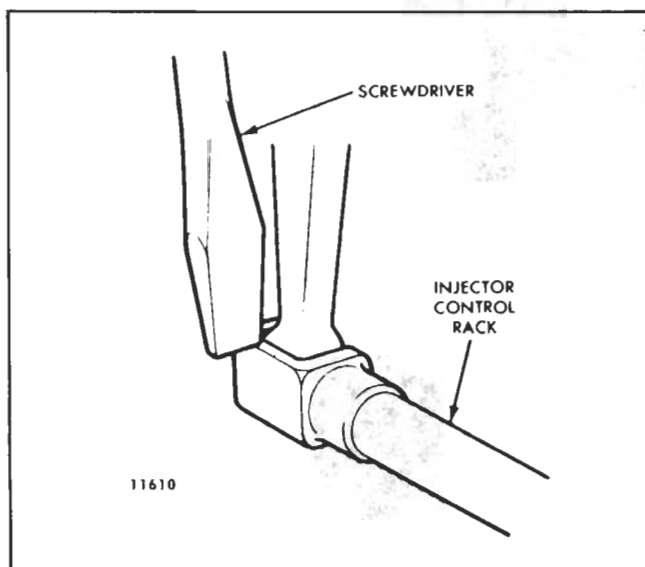


Fig. 5 - Checking Injector Rack "Spring"

8. Adjust the No. 5R, 4L and 5L injector rack control levers as outlined in Steps 6 and 7.

When the settings are correct, all four of the injector racks will be snug on the ball end of the control levers when the injectors are in the full-fuel position.

9. To adjust the remaining injector rack control levers on the right front bank, hold the 4R injector rack in the full-fuel position by means of the lever on the control tube assembly and turn down the inner adjusting screw of the No. 3R injector rack control lever until the injector rack has moved into the full-fuel position. Turn the outer adjusting screw down until it bottoms lightly on the injector control tube. Then alternately tighten both the inner and outer adjusting screws until tight.

CAUTION: Overtightening of the injector rack control tube lever adjusting screws during installation or adjustment can result in damage to the injector control tube. The recommended torque of the adjusting screws is 24-36 in-lbs (3-4 Nm).

Recheck the No. 4R injector rack to be sure that it has remained snug on the ball end of the injector rack control lever. If the rack of No. 4R injector has become loose, back off the inner adjusting screw slightly on the No. 3R injector rack control lever. Tighten the outer adjusting screw.

When the settings are correct, both injector racks must respond in the same manner on the ball ends of their respective rack control levers as previously outlined in Step 7.

10. Position the remaining injector rack control levers on the right front cylinder head as outlined in Step 9.

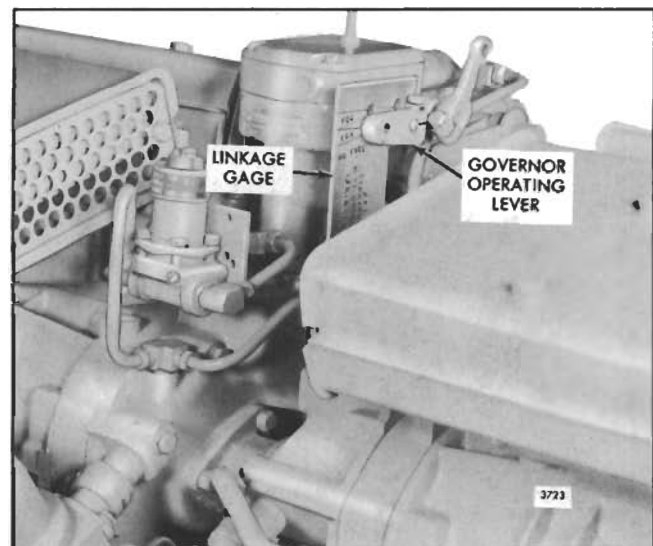


Fig. 6 - Positioning Governor Operating Lever

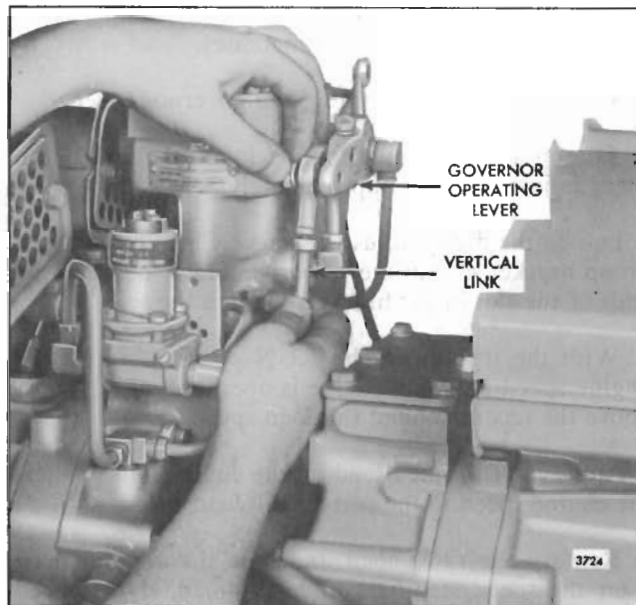


Fig. 7 - Adjusting Vertical Link

When the settings are correct, all of the injector racks will be snug on the ball end of the control levers when the injector control tube lever is held in the full-fuel position.

11. Adjust the remaining injector rack control levers on the right rear, left front and left rear cylinder heads in the same manner as outlined in Steps 9 and 10.

12. Replace the governor operating lever on the serrated shaft so that the bolt hole is lined up within the proper lines on the gage. The type of governor (SGX or PSG) will determine the proper position of the lever (Fig. 6).

13. Remove the gage.

14. Move the bell crank lever to the no-fuel position.

15. Adjust the length of the vertical link so that the bolt holes of the levers and the centers of the rod end bearings are lined up (Fig. 7).

16. Replace the two bolts in the levers and tighten the bolts.

17. Remove the governor cover.

18. With the load limit screw backed all the way out, retain the governor operating lever in the full-fuel position. The governor terminal lever should touch the boss on the governor housing. Adjust the vertical link so that all the injector racks are in the full-fuel position, then tighten the rod end lock nuts securely.

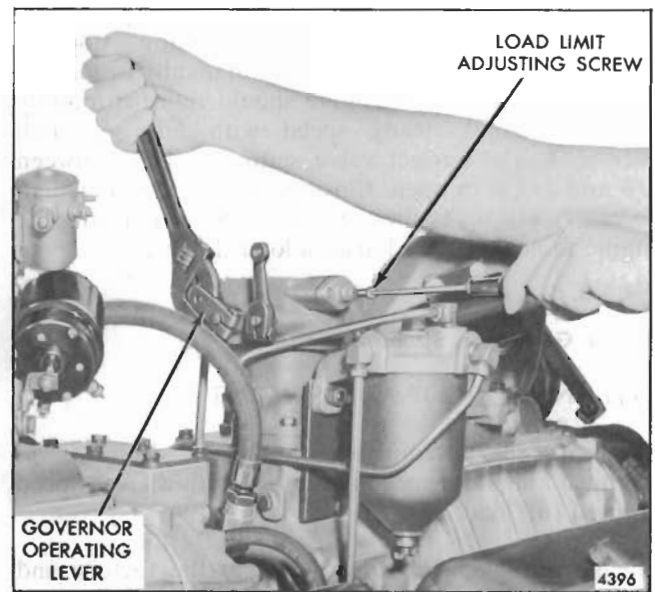


Fig. 8 - Adjusting Load Limit Screw

Adjust Load Limit

With the injector rack control levers properly adjusted, set the load limit as follows:

1. With the governor cover off and the load limit screw lock nut loosened, place and retain the governor operating lever in the full-fuel position as shown in Fig. 8.

NOTE: Do not overstress the linkage.

2. Turn the load limit adjusting screw in until the injector racks just loosen on the ball end of the control levers.

3. Release the governor operating lever and hold the adjusting screw while tightening the lock nut. Install the governor cover.

Compensation Needle Valve Adjustment (PSG Governor)

Start the engine and, after the engine reaches normal operating temperature, adjust the governor compensation needle valve, without load on the engine, as follows:

1. Open the valve (Fig. 10) two or three turns and allow the engine to "hunt" or "surge" for about one-half minute to bleed any air which may be trapped in the governor oil passages.

2. Gradually close the valve until the "hunting" just stops. Check the amount of valve opening by closing the valve completely and noting the number of turns

required to close it. Open the valve to the previously determined position at which the "hunting" stopped. Test the action of the governor by manually disturbing the engine speed. The engine should return promptly to the original steady speed with only a small overshoot. The correct valve setting will be between 1/8 and 1/2 turn open. Closing the valve farther than necessary will make the governor slow in returning the engine to normal speed after a load change.

Adjust Governor Speed Droop

INTERNAL DROOP ADJUSTMENT

The purpose of adjusting the speed droop is to establish a definite speed at no-load with a given speed at rated full load.

The governor speed droop is set at the factory and further adjustment should be unnecessary. However, if the governor has been overhauled, the speed droop must be readjusted.

The best method of determining the engine speed is by using an accurate hand tachometer.

If a full rated load can be established on the unit, and the fuel rods, injector rack control levers and the load limit have been adjusted, set the speed droop as follows:

1. Start the engine and run it at approximately one-half the rated no-load speed until the lubricating oil temperature stabilizes.

NOTE: When the engine lubricating oil is cold, the governor regulation may be erratic.

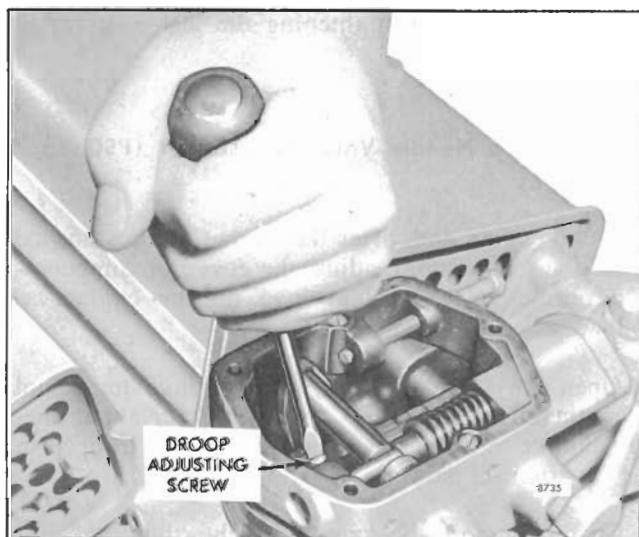


Fig. 9 - Adjusting Speed Droop

Regulation will become increasingly stable as the temperature of the oil increases.

2. Stop the engine and remove the governor cover.
3. Loosen the lock nut and back off the maximum speed adjusting screw approximately 5/8".
4. Loosen the droop adjusting screw (Fig. 9). Move the droop bracket so that the screw is midway between the ends of the slot in the bracket. Tighten the screw.
5. With the throttle in the RUN position, adjust the engine speed until the engine is operating at 3% to 5% above the recommended full load speed.
6. Apply the full rated load on the engine and readjust the engine speed to the correct full load speed.
7. Remove the rated load and note the engine speed after the speed stabilizes under no-load. If the speed droop is correct, the engine speed will be approximately 3% to 5% higher than the full load speed.

If the speed droop is too high, stop the engine, loosen the droop adjusting screw and move the adjusting bracket IN toward the center of the governor. Tighten the screw. To increase the speed droop, move the bracket OUT, away from the center of the governor.

The speed droop in governors which control engines driving generators in parallel must be identical, otherwise the electrical load will not be equally divided.

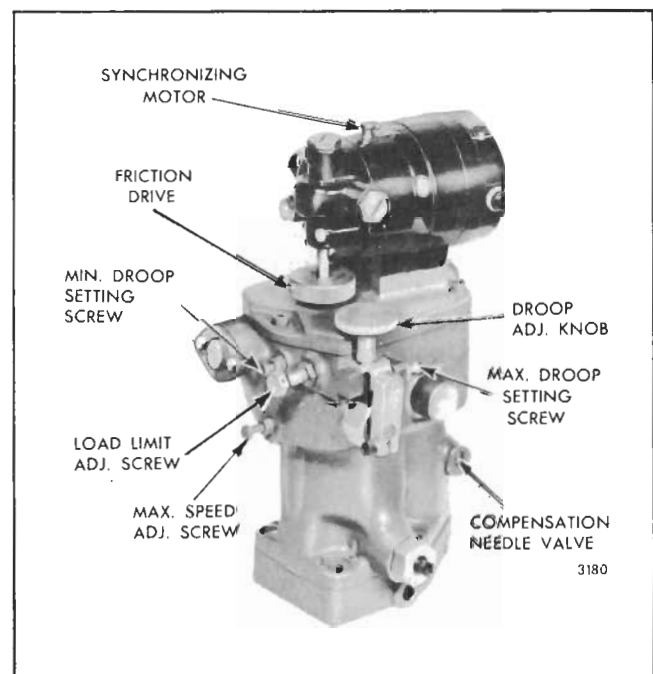


Fig. 10 - Typical Synchronizing Motor Mounting

Full Load	No Load
50 cycles, 1000 rpm	52.5 cycles, 1050 rpm
60 cycles, 1200 rpm	62.5 cycles, 1250 rpm
50 cycles, 1500 rpm	52.5 cycles, 1575 rpm
60 cycles, 1800 rpm	62.5 cycles, 1875 rpm

TABLE 1

Adjust the speed droop bracket in each governor to obtain the desired variation between engine **no-load** and full load speeds. The recommended **speed droop** for generator sets operating in parallel is **50 rpm** (2-1/2 cycles) for units operating at 1,000 and 1,200 rpm, and 75 rpm (2-1/2 cycles) for units operating at 1,500 and 1,800 rpm (Table 1). However, this speed droop recommendation may be varied to suit the individual application.

EXTERNAL DROOP CONTROL

Some PSG type governors are equipped with an external adjustable droop control (Fig. 10). This permits the speed droop to be adjusted without removing the governor cover. With this feature, a unit can be paralleled with another unit that is operating at constant frequency (zero droop). The incoming unit must have its droop bracket set in the maximum position while it is being paralleled and while operating in parallel. When it is desired to stop the unit operating at constant frequency, shift the load to the incoming unit and move the governor droop bracket to zero droop. Then adjust the outgoing unit to maximum droop, remove it from the line and stop the engine. The incoming unit will now be carrying the load and operating at constant frequency (zero droop).

Adjust the governor speed droop as follows:

1. Start the engine and run it at approximately one-half of the rated full load speed until the lubricating oil temperature stabilizes.
2. Remove the load from the engine.
3. Back off the compensation needle valve to release any air that may be trapped in the system. Turn the needle valve in slowly to reduce governor "hunting". The correct needle valve setting will be between 1/8 and 1/2 turn open.
4. Back out the minimum and maximum droop setting screws.
5. Loosen the droop adjusting knob (Fig. 8) and move the slider all the way in toward the center of the governor. Then tighten the knob.

6. Loosen the lock nut on the maximum speed adjusting screw and turn the screw out until 5/8" of the threads are exposed.

7. With the engine operating at the recommended full load speed, apply the full rated load and recheck the engine speed. If required, readjust the engine to full load speed.

8. Remove the load and note the engine speed. If the zero droop setting is correct, the engine speed will remain constant. If the engine speed is higher, loosen the droop adjusting knob and set the slider to a **reduced droop position**.

9. When the desired minimum droop setting is reached, loosen the lock nut and turn the minimum droop setting screw in until it contacts the droop linkage within the governor. This will be felt by a step up of resistance while turning the adjusting screw. Lock the adjusting screw in this position.

10. Loosen the droop adjusting knob and slide the droop bracket in a direction to increase the droop. Perform Steps 7 and 8 to check the droop until the desired maximum speed droop is attained.

11. When the desired maximum droop setting is reached, loosen the lock nut and turn the maximum droop setting screw in until it contacts the droop slider arm. Lock the adjusting screw in this position.

12. Recheck the minimum and maximum droop setting as outlined in Steps 7 and 8 and adjust the



Fig. 11 - Adjusting Maximum No-Load Engine Speed

adjustment screws, if necessary, until the correct settings are obtained.

Adjust Maximum No-Load Speed

With the speed droop properly adjusted, set the maximum no-load speed as follows:

1. With the engine operating at no-load, adjust the speed until the engine is operating at approximately 8% higher than the rated full load speed.
2. Turn the maximum speed adjusting screw (Fig. 11) in until the screw contacts the throttle linkage internally, limiting the maximum speed of the engine at 8% above the rated full load speed.

3. Hold the screw and tighten the lock nut.

Governors With Synchronizing Motor

Some hydraulic governors are equipped with a reversible electric synchronizing motor (Fig. 10) mounted on the governor cover.

The adjustments on a governor equipped with a synchronizing motor are the same as on a governor without the motor. However, the governor cover and motor assembly must be removed when setting the engine speed droop (except on a governor equipped with the external droop adjustment). The cover and motor must be reinstalled to check the speed droop.

SUPPLEMENTARY GOVERNING DEVICE ADJUSTMENT

ENGINE LOAD LIMIT DEVICE

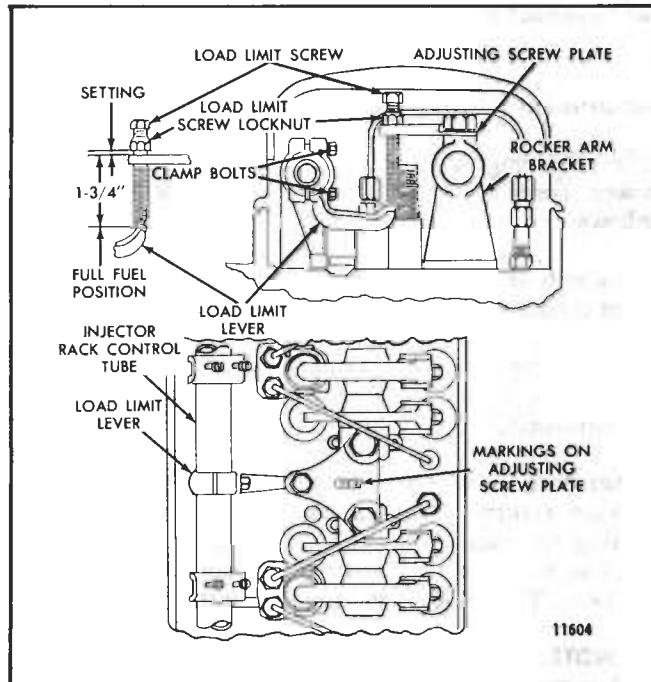


Fig. 1 - Engine Load Limit Device

Engines with mechanical governors may be equipped with a load limit device (Fig. 1) to reduce the maximum horsepower.

This device consists of a load limit screw threaded into a plate mounted between two adjacent rocker arm shaft brackets and a load limit lever clamped to the injector control tube.

The load limit device is located between the No. 1 and No. 2 cylinders on each cylinder bank of a 6V engine, between the No. 2 and No. 3 cylinders on each cylinder bank of an 8V engine. On the 16V engine, four load limit devices are used (one on each cylinder head): between the No. 2 and No. 3 cylinders and between the No. 6 and No. 7 cylinders on each cylinder bank.

When properly adjusted for the maximum horsepower desired, this device limits the travel of the injector control racks and thereby the fuel output of the injectors.

Adjustment

After the engine tune-up is completed, make sure the load limit devices are properly installed as shown in Fig. 1. Make sure the counterbores in the adjusting screw plates are up. The rocker arm shaft bracket bolts which fasten the adjusting screw plate to the brackets are tightened to 75-85 lb-ft (102-115 Nm) torque (all other rocker arm shaft bracket bolts are tightened to 90-100 lb-ft (122-136 Nm) torque). Then adjust the load limit device, on each cylinder head, as follows:

1. Loosen the load limit screw lock nut and remove the screw.
 2. Loosen the load limit lever clamp bolts so the lever is free to turn on the injector rack control tube.
 3. With the screw out of the plate, adjust the load limit screw locknut so the bottom of the nut is 1-3/4" from the bottom of the load limit screw (Fig. 1) for the initial setting.
 4. Thread the load limit screw into the adjusting screw plate until the lock nut bottoms against the top of the plate.
 5. Hold the injector rack control tube in the full-fuel position and place the load limit lever against the bottom of the load limit screw. Then tighten the load limit lever clamp bolts.
 6. Check to ensure that the injector racks will just go into the full-fuel position -- re-adjust the load limit lever if necessary.
 7. Hold the load limit screw to keep it from turning, then set the lock nut until the distance between the bottom of the lock nut and the top of the adjusting screw plate corresponds to the dimension (or number of turns) stamped on the plate. Each full turn of the screw equals .042" or .007" for each flat on the hexagon head.
- NOTE:** If the plate is not stamped, adjust the load limit screw while operating the engine on a dynamometer test stand and note the number of turns required to obtain the desired horsepower. Then stamp the plate accordingly.
8. Thread the load limit screw into the plate until the lock nut bottoms against the top of the plate. Be sure the nut turns with the screw.
 9. Hold the load limit screw to keep it from turning, then tighten the lock nut to secure the setting.

POWER CONTROL DEVICE

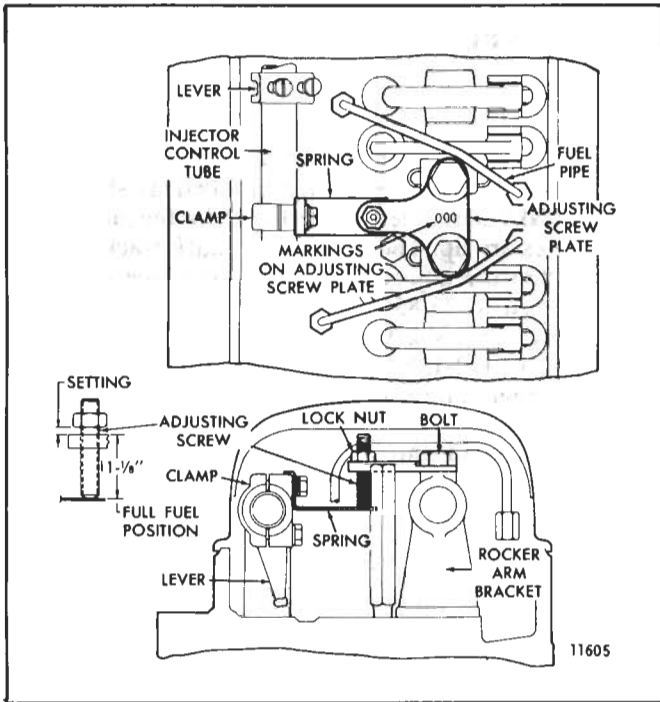


Fig. 2 - Power Control Device

The power control (torque limiting) device (Fig. 2) is used, on some vehicle engines, to limit the maximum horsepower output at the wheels without diminishing the performance at lower speeds where full power may be required. It limits the horsepower at, or just below, the normal full-load governed speed. These limiting characteristics are proportionately lessened as the engine speed is reduced.

This device, one on each cylinder bank, consists of an adjusting screw threaded into a plate mounted between two adjacent rocker arm shaft brackets and a spring attached to a clamp on the injector control tube.

NOTE: The rocker arm shaft bolts that retain the adjusting screw plates are tightened to 75-85 lb-ft (102-115 Nm) torque; all other rocker arm shaft bracket bolts are tightened to 90-100 lb-ft (122-136 Nm) torque.

The power control device is located between the No. 1 and No. 2 cylinders on *each* cylinder bank of a 6V engine, between the No. 2 and No. 3 cylinders on *each* cylinder bank of an 8V engine.

Adjustment

After the engine tune-up is completed, adjust the power control device on both cylinder banks as follows:

1. Loosen the power control spring attaching bolts. Then adjust both springs until they project parallel to the cylinder heads when the injector control racks are held in the full-fuel position. Tighten the spring attaching bolts to 7-9 lb-ft (10-12 Nm) torque to retain the adjustment.
2. Set each power control device, while holding the injector control racks in the full-fuel position, by turning the adjusting screw down (clockwise) until it just touches the spring and the lock nut is tight against the plate. Then release the injector control racks.

NOTE: Wipe the oil from each spring and the bottom of each adjusting screw so the point of contact can be seen readily.

CAUTION: Steps 1 and 2 must be completed on both cylinder banks before proceeding with Step 3.

3. Place the vehicle on a chassis dynamometer. Start the engine. Then, with the engine running at wide open throttle, check the horsepower at the rated speed. Adjust the screws to obtain the specified horsepower. Turn the screws on both banks down equally to obtain the specified horsepower. When the desired wheel horsepower is obtained, hold the screws from turning and tighten the lock nuts.

NOTE: If a dynamometer is not available, back up the lock nuts the distance stamped on the plates. Then turn the screws and lock nuts down together until the lock nuts *bottom* on the plates. Hold the screws from turning and tighten the lock nuts.

THROTTLE DELAY MECHANISM

The throttle delay mechanism is used in turbocharged engines to retard full-fuel injection when the engine is accelerated. This reduces exhaust smoke and also helps to improve fuel economy.

The throttle delay mechanism (Fig. 3) is installed between the No. 1 and No. 2 cylinders on the right bank cylinder head. It consists of a special rocker arm shaft bracket (which incorporates the throttle delay cylinder), a piston, throttle delay lever, connecting link, orifice plug, ball check valve and U-bolt.

A yield link replaces the standard operating lever connecting link in the governor.

Operation

Oil is supplied to a reservoir above the throttle delay cylinder through an oil supply fitting in the drilled oil passage in the rocker arm shaft bracket (Fig. 3). As the injector racks are moved toward the no-fuel position, free movement of the throttle delay piston is assured by air drawn into the cylinder through the ball check valve. Further movement of the piston uncovers an opening which permits oil from the reservoir to enter the cylinder and displace the air. When the engine is accelerated, movement of the injector racks toward the full-fuel position is momentarily retarded while the piston expels the oil from the cylinder through an orifice. To permit full accelerator travel, regardless of the retarded injector rack position, a spring loaded yield link replaces the standard operating lever connecting link in the governor.

Inspection

The current throttle delay bracket has a closer tolerance on the piston and cylinder bore. The current piston link pin hole is offset below the piston centerline and has a larger pin boss diameter. The current piston link has two tabs to ensure that the piston is installed with the piston pin hole offset down. The current piston and link must be used together to ensure correct positioning of the piston. The current check valve has a nylon check ball in place of the former brass ball. When inspecting the throttle delay hydraulic cylinder, it is important that the check valve be inspected for wear.

To inspect the check valve, fill the throttle delay cylinder with diesel fuel oil and watch for check valve leakage while moving the engine throttle from the idle position to the full-fuel position. If more than a drop of leakage occurs, replace the check valve.

WARNING: Use care not to expose yourself to the fuel oil spray.

Adjustment

Whenever the injector rack control levers are adjusted, disconnect the throttle delay mechanism by loosening the U-bolt which clamps the lever to the injector control tube. After the injector rack control levers have been positioned, the throttle delay mechanism must be readjusted. With the engine stopped, proceed as follows:

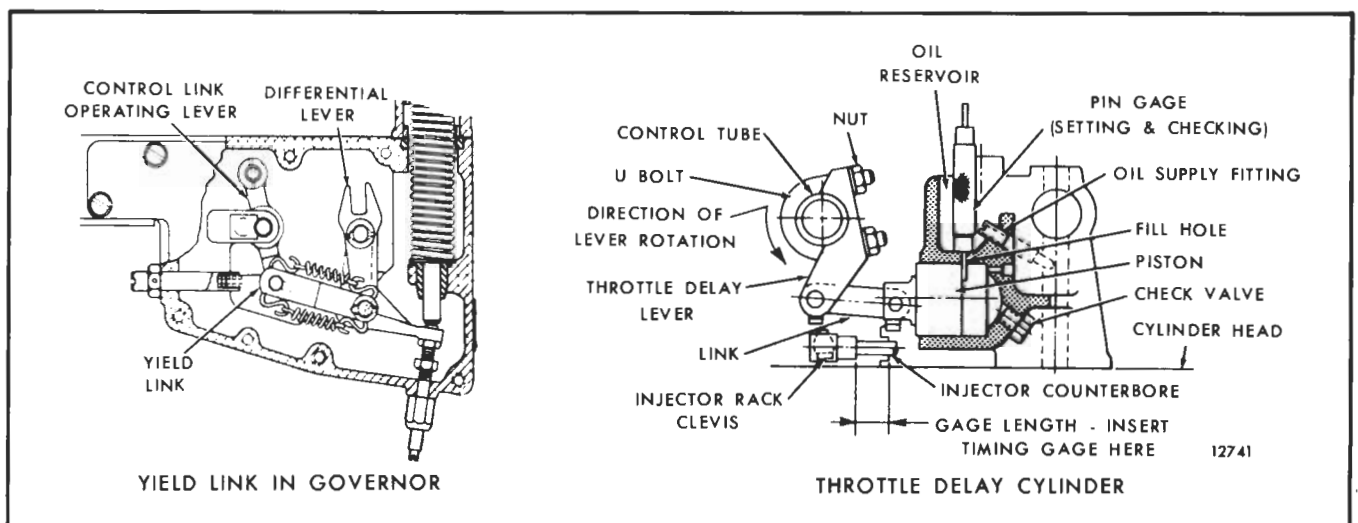


Fig. 3 - Throttle Delay Cylinder and Yield Link

1. Refer to Fig. 3 and insert gage J 25559 (.570" setting) when 9285 mm injectors or lower output are used, or J 25560 (.636" setting) when 9290 mm injectors or higher output are used, between the injector body and the shoulder on the injector rack clevis of the injector nearest the throttle delay cylinder.
 2. Hold the governor throttle in the maximum speed position. This should cause the injector rack to move toward the full-fuel position and against the gage.
 3. Insert the pin gage J 25558 (.072" diameter setting end) in the cylinder fill hole.
 4. Rotate the throttle delay lever in the direction shown in Fig. 3 until further movement is limited by the piston contacting the pin gage.
 5. Tighten the U-bolt nuts while exerting a slight amount of torque on the lever, in the direction of rotation. Be careful not to bend the gage or damage the piston by using excessive force.
 6. Check the setting as follows:
 - a. Remove the pin gage.
 - b. Attempt to re-install the pin gage (.072" diameter). It should not be possible to re-insert the gage without moving the injector racks towards the no-fuel position.
 - c. Reverse the pin gage to the .069" diameter end and insert it in the cylinder fill hole. It should enter the cylinder without resistance.
- NOTE:** If the .072" diameter end of the gage enters the fill hole (Step 6b), increase the torque on the upper U-bolt nut. If the .069" diameter will not enter the fill hole (Step 6c) without resistance, increase the torque on the lower U-bolt nut.
7. Release the governor throttle and remove the timing gage and pin gage.
 8. Move the injector control tube assembly from the no-fuel to the full-fuel position to make sure there is no bind.
 9. Refer to *Engine Tune-Up* in Section 15.1 for maintenance.

ADJUSTMENT OF MECHANICAL GOVERNOR SHUTDOWN SOLENOID

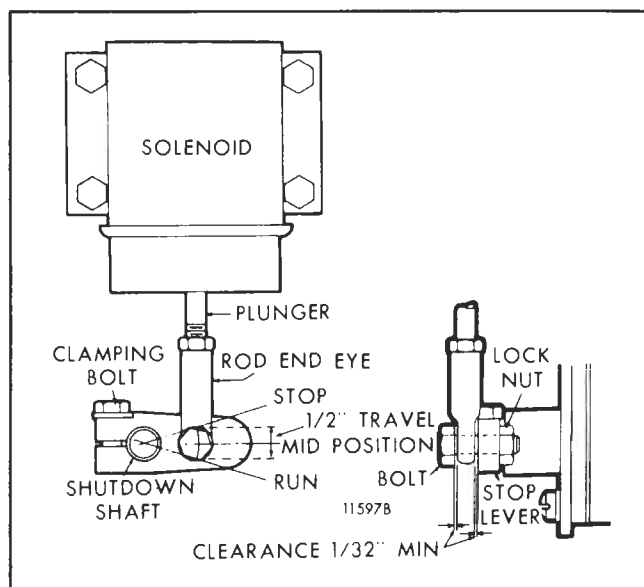


Fig. 4 - Typical Variable Speed Governor Lever Position

When a governor shutdown solenoid is used on an engine equipped with a mechanical governor, the governor stop lever must be properly adjusted to match the shutdown solenoid plunger travel.

The solenoid plunger can be properly aligned to the governor stop lever as follows:

1. Remove the bolt connecting the rod end eye (variable speed governor) or the right angle clip (limiting speed governor) to the stop lever (Figs. 4 and 5). Align and clamp the lever to the shutdown shaft in such a way that, at its mid-travel position, it is perpendicular to the solenoid plunger. This assures that the linkage will travel as straight as possible. The solenoid plunger has available 1/2" travel which is more than adequate to move the injector control racks from the full-fuel to the complete no-fuel position and shut down will occur prior to attaining complete travel.

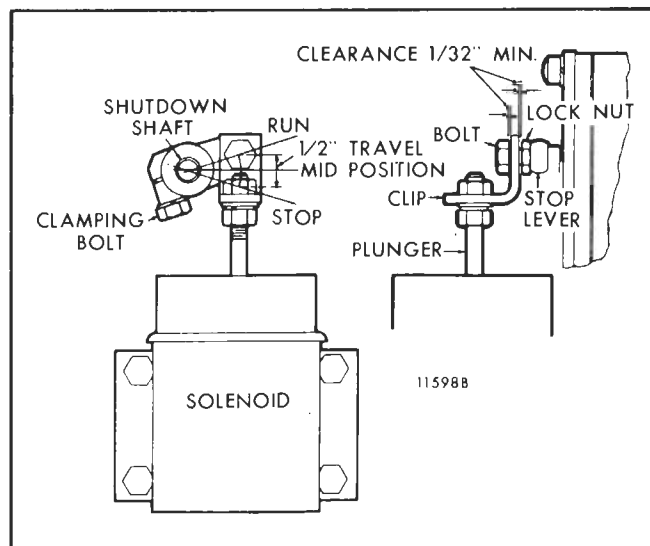


Fig. 5 - Typical Limiting Speed Governor Lever Position

2. With the stop lever in the *run* position, adjust the rod end eye or right angle clip for minimum engagement on the solenoid plunger when the connecting bolt is installed. The oversize hole in the eye or clip will thereby permit the solenoid to start closing the air gap, with a resultant **build-up** of pull-in force prior to initiating stop lever movement.

3. The bolt through the rod end eye or the right angle clip should be locked to the stop lever and adjusted to a height that will permit the eye or clip to float vertically. The clearance above and below the eye or clip and the bolt head should be approximately 1/32" minimum.

NOTE: The lock nut can be either on top of or below the stop lever.

4. Move the lever to the *stop* position and observe the plunger for any possible bind. If necessary, loosen the mounting bolts and realign the solenoid to provide free plunger motion.

SECTION 15
PREVENTIVE MAINTENANCE -
TROUBLE SHOOTING - STORAGE
CONTENTS

Lubrication and Preventive Maintenance.....	15.1
Trouble Shooting	15.2
Storage	15.3

LUBRICATION AND PREVENTIVE MAINTENANCE

The *Lubrication and Preventive Maintenance Schedule* is intended as a guide for the engine owner in establishing his own preventive maintenance schedule. The suggestions and recommendations for preventive maintenance should be followed as closely as possible to obtain long life and best performance from a Detroit Diesel engine. The intervals indicated on charts 1 and 2 are miles, in thousands or hours of actual operation.

MAINTENANCE SCHEDULE EXPLANATION

The mileage or time increments shown apply only to the maintenance function described. These functions should be coordinated with other regularly scheduled vehicle or unit maintenance such as chassis lubrication.

Maintenance functions should be performed at the intervals as shown in the charts.

Instructions on the pages following the chart describe the maintenance function involved.

Example:

6. Air Cleaner (Oil Bath)

This maintenance function should be performed at 4,000 to 6,000 miles or 200 hours and each 4,000 to 6,000 mile or 200 hour interval thereafter.

LUBRICATION AND PREVENTIVE MAINTENANCE (Vehicle Engines)

DAILY											
1. Lubricating oil		①									
2. Fuel tanks		①									
3. Fuel lines		①									
4. Cooling system		①									
5. Turbocharger		①									
4,000 TO 6,000 MILE INTERVALS											
6. Air cleaner (oil bath)		①									
7. Lubricating oil		Ⓡ*									
8. Lubricating oil filters		Ⓡ*									
9. Drive belts		①									
10. Air compressor		①									
6 MONTHS OR 10,000 MILE INTERVALS	Months	6	12	18	24	30	36	42	48	50	60
	Miles in Thousands	10	20	30	40	50	60	70	80	90	100
11. Fuel filters		Ⓡ	Ⓡ	Ⓡ	Ⓡ	Ⓡ	Ⓡ	Ⓡ	Ⓡ	Ⓡ	Ⓡ
12. Air cleaner (dry)			①		①		①		①		①
13. Coolant filter		Ⓡ	Ⓡ	Ⓡ	Ⓡ	Ⓡ	Ⓡ	Ⓡ	Ⓡ	Ⓡ	Ⓡ
14. Starting motor		①	①	①	①	①	①	①	①	①	①
15. Fuel tanks			①		①		①		①		①
16. Cooling system			①		①		①		①		①
17. Air system			①		①		①		①		①
18. Exhaust system			①		①		①		①		①
19. Air compressor			①		①		①		①		①
20. Air box drain tubes			①		①		①		①		①
21. Emergency shutdown			①		①		①		①		①
22. Engine (steam clean)			①		①		①		①		①
23. Radiator			①		①		①		①		①
24. Shutter operation			①		①		①		①		①
25. Oil pressure			①		①		①		①		①
26. Governor						①					①
27. Fuel injectors and valve clearance						①					①
28. Alternator (battery-charging)								①			
29. Engine and transmission mounts								①			
30. Crankcase pressure								①			
31. Fan hub**											
32. Throttle delay						①					①
ANNUALLY											
33. Cooling system		①									
34. Thermostats and seals		①									
35. Blower and screen		①									
36. Crankcase breather		①									
37. Engine Tune-Up		+									

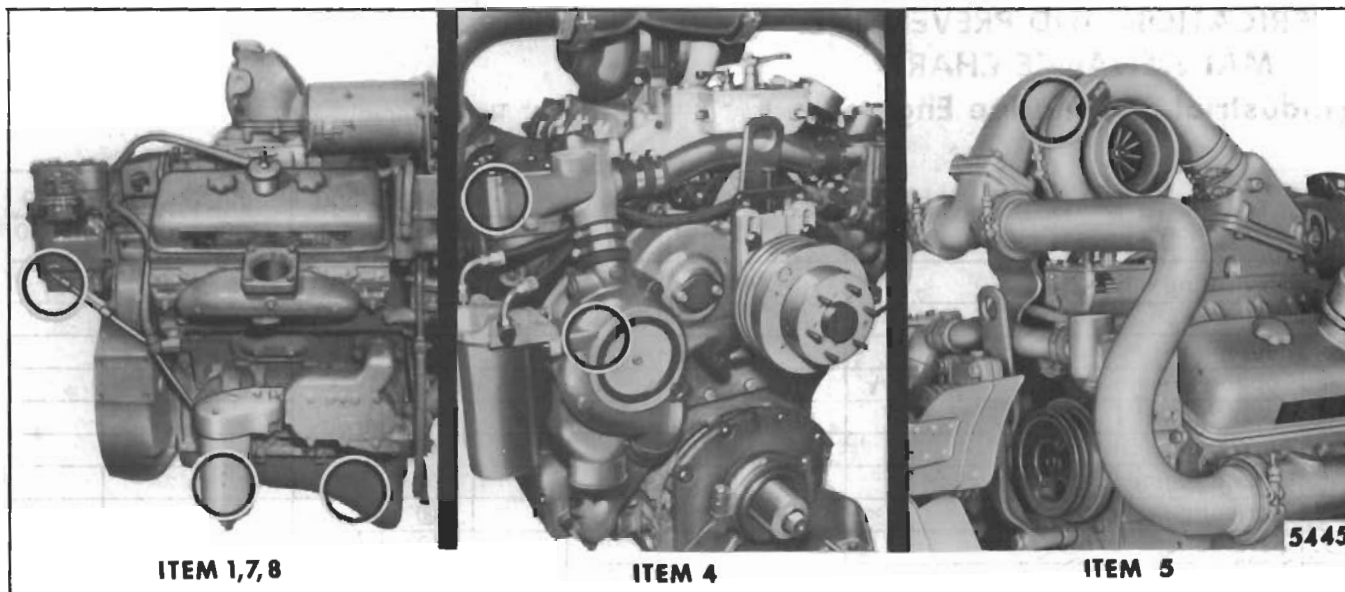
① = Inspect, Correct or Replace if Necessary
 Ⓡ = Replace
 * = Check Level Daily and Replace Initial Oil and Filter at 3,000 Miles
 + = As Required
 ** = See Item

**LUBRICATION AND PREVENTIVE
MAINTENANCE CHART
(Industrial and Marine Engines)**

Time Interval

Item Operation	Hours Miles	Time Interval								
		Daily	8 240	50 1,500	100 3,000	200 6,000	300 9,000	500 15,000	1,000 30,000	2,000 60,000
1. Lubricating oil		ⓐ								
2. Fuel Tanks		ⓐ								
3. Fuel lines		ⓐ								
4. Cooling system		ⓐ								
5. Turbocharger		ⓐ								
6. Air cleaner (oil bath)						ⓐ				
7. Lubricating oil						ⓑ				
8. Lubricating oil filters						ⓑ				
9. Drive Belts						ⓐ				
10. Air compressor						ⓐ				
11. Fuel Filters							ⓑ			
12. Air Cleaner (dry)			ⓐ					ⓐ		
13. Coolant filter		ⓐ						ⓐ	ⓐ	
14. Starting motor							ⓐ			
15. Fuel Tanks								ⓐ		
16. Cooling System								ⓐ		
17. Air System								ⓐ		
18. Exhaust System								ⓐ		
19. Air compressor								ⓐ		
20. Air box drain tubes								ⓐ		
21. Emergency shutdown								ⓐ		
22. Engine (steam clean)								ⓐ		
23. Radiator								ⓐ		
24. Shutter operation								ⓐ		
25. Oil Pressure								ⓐ		
28. Alternator (Battery Charging)										ⓐ
29. Engine and transmission mounts										ⓐ
30. Crankcase pressure										ⓐ
31. Fan hub*										
33. Cooling System (annually)										
34. Thermostat and seals (annually)										
35. Blower and screen (annually)										
36. Crankcase breather (annually)										
37. Engine tune-up (+)										
38. Heat exchanger and raw water pump								ⓐ	ⓐ	

ⓐ = Inspect, Correct or Replace if Necessary
 ⓑ = Replace
 + = As Required
 * = See Item



1. Lubricating Oil

- a. Check the lubricating oil level with the engine stopped. If the engine has just been stopped, wait approximately twenty minutes to allow the oil to drain back to the oil pan. Add the proper grade oil as required to maintain the correct level on the dipstick.

CAUTION: Oil may be blown out through the crankcase breather if the crankcase is overfilled.

- b. Make a visual check for oil leaks around the filters and the external oil lines.

2. Fuel Tanks

Keep the fuel tank filled to reduce condensation to a minimum. Select the proper grade of fuel in accordance with the *Diesel Fuel Oil Specifications* in Section 13.3. Open the drain at the bottom of the fuel tank every 15,000 miles (24 140 km) or 500 hours to drain off any water or sediment.

3. Fuel Lines

Make a visual check for fuel leaks at the crossover lines and at the fuel tank suction and return lines. Since fuel tanks are susceptible to road hazards, leaks in this area may best be detected by checking for accumulation of fuel under the tanks.

4. Cooling System

- a. Before starting the engine, always check the coolant level. Make sure the coolant is near the top of the upper radiator tank or the heat exchanger tank. Add coolant as necessary. *Do not overfill.*
- b. Make a visual check for cooling system leaks. Check for an accumulation of coolant beneath the unit or vehicle during periods when the engine is running and when the engine is stopped.

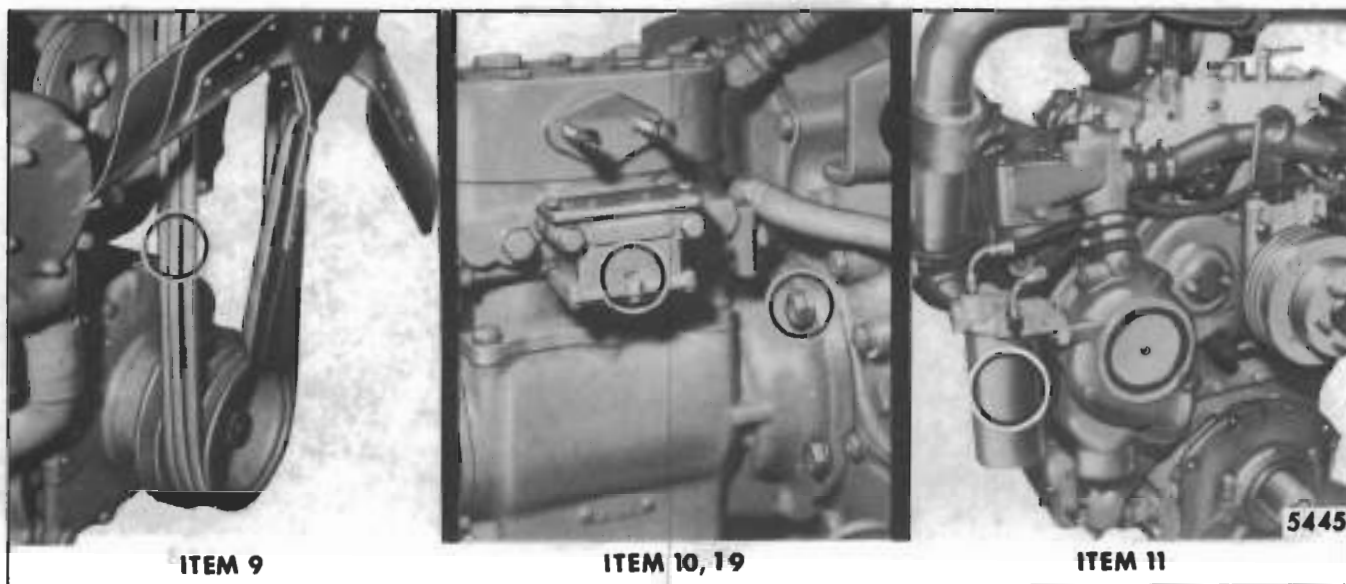
5. Turbocharger

Inspect the mountings, intake and exhaust ducting and connections for leaks. Check the oil inlet and outlet lines for leaks and restriction to air flow. Check for unusual noise or vibration and, if excessive, remove the turbocharger and correct the cause.

6. Air Cleaner (Oil Bath)

Drain the oil and clean the sludge from the air cleaner oil cup. Wash the oil cup with clean fuel oil and refill it to the proper level with the same grade of oil as used in the engine. If heavy rain or snow has been encountered, check the air cleaner for an accumulation of water.

Remove and steam clean the air cleaner element and baffle annually.



Service the air cleaner more often if the engine is operated under severe dust conditions.

Under no engine operating conditions should the air inlet restriction exceed 25 inches of water for non-turbocharged engines or 20 inches of water for turbocharged engines. A clogged air cleaner element will cause excessive intake restriction and a reduced air supply to the engine.

7. Lubricating Oil

Change the initial lubricating oil at approximately 3,000 miles or 4 848 km (100 hours) and at 4,000 to 6,000 mile or 6 437 to 9 656 km(200 hours) intervals thereafter. The drain interval may be established on the recommendations of an independent oil analysis laboratory or the oil supplier (based upon the oil sample analysis) until the most practical oil change period has been determined. Select the proper grade of oil in accordance with the instructions given in the *Lubricating Oil Specifications* in Section 13.3.

8. Lubricating Oil Filters

- Change the lubricating oil filters when the engine oil is changed. Any deviation, such as changing filters every other oil change, should be based on a laboratory analysis of the drained oil and the used filter elements to determine if such practice is practical for proper protection of the engine.
- Make a visual check of all lubricating oil lines for wear and chafing. If any indication of wear is evident, replace the oil lines and correct the cause.
- When the engine is equipped with a turbocharger, pre-lubricate it as outlined under *Install Turbocharger* in Section 3.5.

- If the engine is equipped with a governor oil filter, change the element every 1,000 hours.

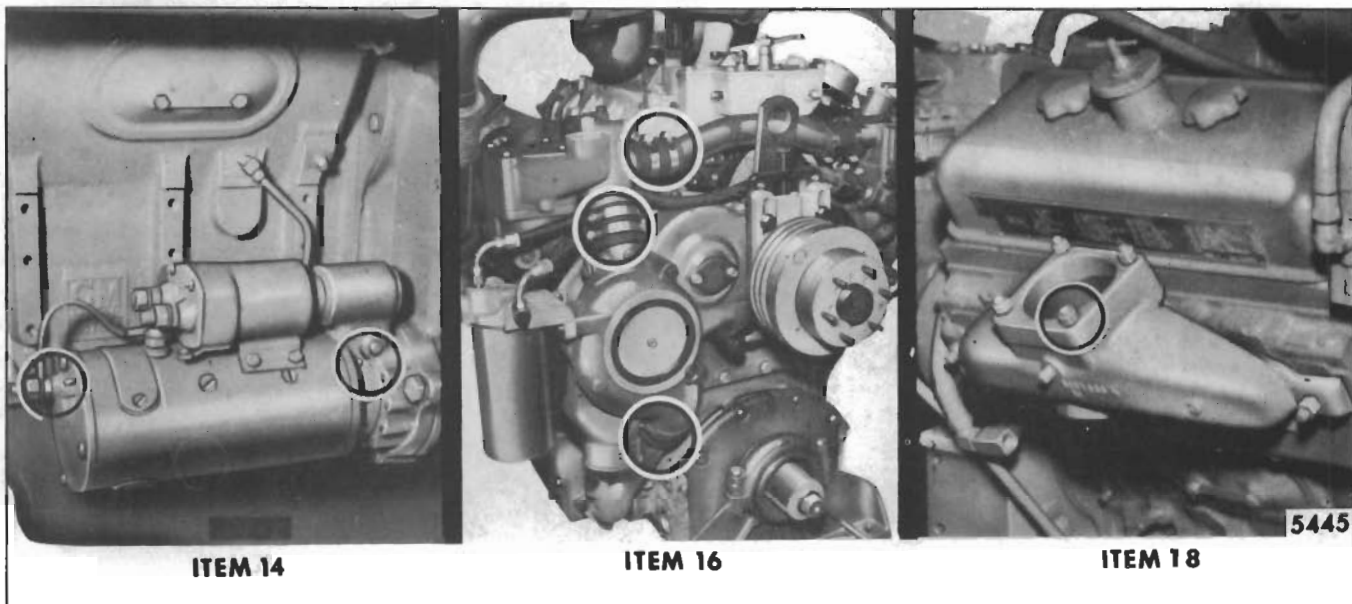
9. Drive Belts

New standard V-belts will stretch after the first few hours of operation. Run the engine for 15 seconds to seat the belts, then retension them. Retighten the fan drive, pump drive, battery-charging alternator and other accessory drive belts after 1/2 hour or 15 miles (24 km) and again after 8 hours or 240 miles (225.4 km) of operation. Thereafter, check the tension of the drive belts every 200 hours or 6,000 miles (9 656 km) and adjust, if necessary. Too tight a belt is destructive to the bearings of the driven part; a loose belt will slip.

Replace all belts in a set when one is worn. Single belts of similar size should not be used as a substitute for a matched belt set; premature belt wear can result because of belt length variation. All belts in a matched belt set are within .032" of their specified center distances.

Adjust the belt tension so that a firm push with the thumb, at a point midway between the two pulleys, will depress the belt 1/2" to 3/4". If belt tension gage BT-33-73FA or equivalent is available, adjust the belt tension as outlined in the chart.

NOTE: When installing or adjusting an accessory drive belt, be sure the bolt at the accessory adjusting pivot point is properly tightened, as well as the bolt in the adjusting slot.



"V" and "POLY V" BELT TENSION CHART (1 lbs/belt)

Model	Fan Drive			Alternator or Generator Drive		
	10 Rib (L) Poly V Belt	2 or 3 Belts	Single Belt	Two 3/8" or 1/2" Belts	One 1/2" Belt	8 Rib (K) Poly V Belts
6, 8V-92 16V-92	310-360	60- 80 90-120	80-100	40-50 40-50	50-70 50-70	110-130

Adjust all V-belts with belt tension gage BT-33-73 FA or equivalent.

Adjust all Poly V-belts with belt tension gage * BT-33-AE6-40A (Burroughs) or equivalent J23586 (Kent Moore) * Range 60-400 lbs.

Belt tension is 60 ± 10 lbs. for a single premium high capacity belt (.785" wide) used to drive a 12 cfm air compressor.

Adjust Poly-V Fan Belt (16V)

The fan belt should be neither too tight nor too loose. Carelessness in making a belt adjustment can be dangerous. Too tight a belt imposes an undue load on the fan bearings and shortens the life of the belt. Too loose a belt allows slippage and lowers the fan speed, causes excessive belt wear and leads to overheating of the cooling system.

Before a Poly-V belt is installed, it is very important that the crankshaft pulley (10 grooves) and the fan drive pulley (11 grooves) are in alignment. The extra groove in the fan drive pulley can be on the inside or the outside of the pulley, depending upon alignment requirements.

Misalignment between the crankshaft pulley and the fan drive pulley cannot be more than .009" per inch

of center line distance. A straight line can be determined by placing a straight edge on the rims of the pulleys. A spacer is available to facilitate pulley alignment, if necessary. The spacer mounts between the crankshaft pulley and the vibration damper hub.

Poly-V belts require a special procedure for proper belt tension.

1. After the belts have been initially adjusted, run the engine under a light load for one-half hour.
2. Stop the engine and check the belt tension with the belt "hot"; use belt tension gage BT-33-86AE6-40A, or equivalent, which has a range of 60 to 400 pounds.
3. If the tension value is not between 280 and 360 pounds, re-adjust the belt tension.

CAUTION: Because the allowable load the crankshaft bearing can carry is critical, do not exceed the maximum tension value of 360 pounds.

4. Run the engine at full load for eight hours and then recheck the belt tension.
5. If the belt tension is too tight or too loose, keep the gage in place and adjust the belt tension, to the prescribed value, at the accessory mounting or adjusting bolts. Retighten all of the bolts to the proper torque.
6. The belt tension should be rechecked every 200 hours of engine operation and readjusted, if necessary.

10. Air Compressor

Remove and clean all air compressor air intake parts. To clean either the hair or polyurethane type element, saturate and squeeze it in fuel oil, or any other cleaning agent that would not be detrimental to the element, until dirt free. Then dip in lubricating oil and squeeze dry before placing the element back in the air strainer.

For replacement of the air strainer element, contact the nearest Bendix Westinghouse dealer; replace with the polyurethane element, if available.

11. Fuel Filters

Install new elements in the strainer and the filter at the intervals shown in the chart, or when plugging is indicated.

A method of determining when elements are plugged to the extent that they should be changed is based on the fuel pressure at the cylinder head fuel inlet manifold and the inlet restriction at the fuel pump. In a clean system, the maximum pump inlet restriction must not exceed 6 inches of mercury. With 6 and 8V non-turbocharged engines, at normal operating speed and with .080" restriction fittings, the fuel pressure is 45-70 psi (310-483 kPa). With 16V non-turbocharged engines, at normal operating speed and with .070" restriction fittings, the fuel pressure is 30-65 psi (207-448 kPa). With turbocharged engines, at normal operating speeds and with either .080" or .070" restriction fittings, the fuel pressure is 50-70 psi (345-483 kPa). Change the fuel filter elements whenever the inlet restriction (suction) at the fuel pump reaches 12 inches of mercury at normal operating speeds and whenever the fuel pressure at the inlet manifold falls to the minimum fuel pressure shown above.

12. Air Cleaner (Dry)

Inspect and service the air cleaner element every 20,000 miles (32 187 km) or 500 hours, or more often if the engine is operated under severe dust conditions. Check the gaskets for deterioration and replace, if necessary. If the dry type air cleaner is equipped with an aspirator, check for aspirator damage or clogging. Clean and repair as necessary.

Under no engine operating conditions should the air inlet restriction exceed 25 inches of water for non-turbocharged engines or 20 inches of water for turbocharged engines. A clogged air cleaner element will cause excessive intake restriction and a reduced air supply to the engine.

13. Coolant Filter

Replace the coolant filter element. Select the proper coolant filter element in accordance with the instructions given under *Engine Coolant* in Section 13.3. Use a new filter cover gasket when installing the filter element. After replacing the filter element and cover gasket, start the engine and check for leaks.

14. Starting Motor

The electrical starting motor is lubricated at the time of original assembly. Oil can be added to the oil wicks, which project through each bushing and contact the armature shaft, by removing the pipe plugs on the outside of the motor. The wicks should be lubricated whenever the starting motor is taken off the engine or disassembled.

The overrunning clutch drive mechanism should be lubricated with a few drops of light engine oil whenever the starting motor is overhauled.

15. Fuel Tanks

Tighten all fuel tank mountings and brackets. At the same time, check the seal in the fuel tank cap, the breather hole in the cap, and the condition of the cross-over fuel line. Repair or replace the parts as necessary.

16. Cooling System

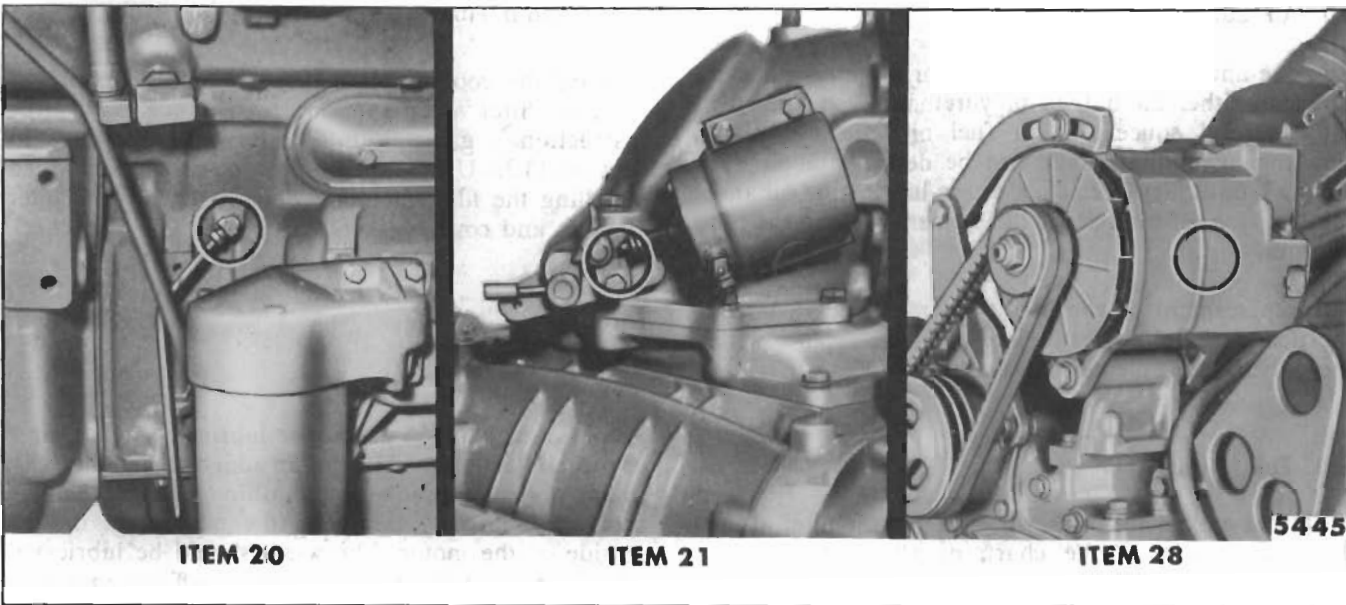
Check the cooling system hoses for deterioration or damage and replace, if necessary. Check all of the hose clamps to make sure they are tight and properly seated on the hoses.

17. Air System

Check all of the connections in the air system to be sure they are tight. Check all hoses for punctures or other damage and replace, if necessary.

18. Exhaust System

Check the exhaust manifold retaining nuts, exhaust flange clamp, and other connections for tightness. Check for proper operation of the exhaust pipe rain cap, if one is used.



19. Air Compressor

Tighten the air compressor mounting bolts. If the air compressor is belt driven, check the belts for proper tension.

20. Air Box Drain Tubes

With the engine running, check for flow of air from the air box drain tubes. If the tubes are clogged, remove, clean and reinstall the tubes.

21. Emergency Shutdown

With the engine running at idle speed, check the operation of the emergency shutdown. Reset the air shut-off valve in the open position after the check has been made.

22. Engine (Steam Clean)

Steam clean the engine and engine compartment.

CAUTION: Do not apply steam or solvent directly on the battery-charging alternator, starting motor or electrical components as damage to electrical equipment may result.

23. Radiator

Inspect the exterior of the radiator core and steam clean it, if necessary.

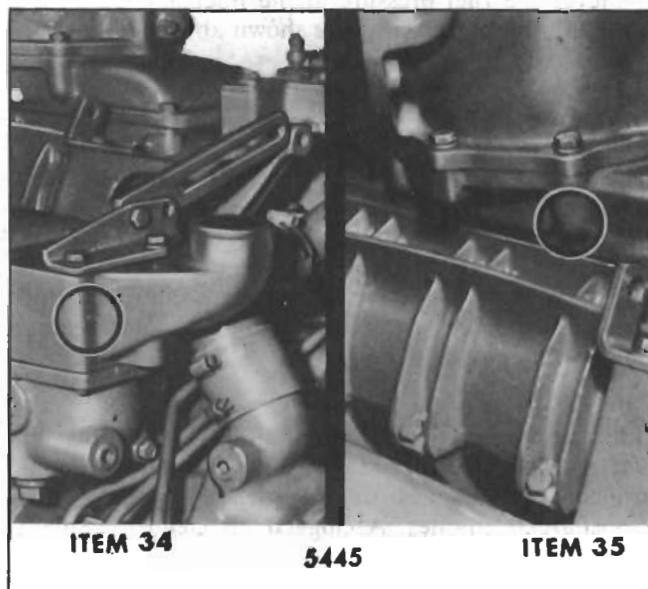
NOTE: Never use fuel oil, kerosene or petroleum base solvents for cleaning since they may leave an oil film on the radiator fins.

24. Shutter Operation

Check the operation of the shutters and clean the linkage and controls.

25. Oil Pressure

Under normal operation, oil pressure is noted each time the engine is started. In the event the engine is



equipped with warning lights rather than pressure indicators, the pressure should be checked and recorded at the interval indicated.

26. Governor (Vehicle Engines)

Check and record the engine idle speed and no-load speed. Adjust as necessary.

An idle speed lower than recommended will cause the engine to be accelerated from a speed lower than the speed at which the engine was certified.

A no-load speed higher than recommended will result in a full-load speed higher than rated and higher than the speed at which the engine was certified.

27. Fuel Injectors and Valve Clearance (Vehicle Engines)

Check the injector timing and exhaust valve clearance as outlined in Section 14.2 and 14.1 every 50,000 miles. The proper height adjustment between the injector follower and injector body is of primary importance to emission control.

28. Alternator (Battery-Charging)

If the battery-charging alternator is equipped with hinge cap oilers, add a few drops of medium grade SAE 30 engine oil to each oiler during the unit or vehicle lubrication period. Alternators having a built-in supply of grease or sealed bearings require no additional lubrication except during engine or unit overhaul.

Inspect the terminals for corrosion and loose connections and the wiring for frayed insulation.

29. Engine and Transmission Mounts

Check the engine and transmission mounting bolts and the condition of the mounting pads. Tighten and repair as necessary.

30. Crankcase Pressure

Check and record the crankcase pressure as outlined in Section 15.2.

31. Fan Hub

If the fan bearing hub assembly is provided with a grease fitting, use a hand grease gun and lubricate the bearings with one shot of Texaco Premium RB grease, or an equivalent Lithium base multi-purpose grease, every 20,000 miles or 32-187 km (approximately 700 hours).

Every 75,000 miles (120 700 km) or 2500 hours (automotive engines) or every 4000 hours (industrial engines) clean, inspect and repack the fan bearing hub assembly with the above recommended grease (refer to Section 5.4).

At a major engine overhaul, remove and discard the bearings in the fan hub assembly. Pack the hub assembly, using new bearings, with Texaco Premium RB grease or an equivalent Lithium base multi-purpose grease.

32. Throttle Delay (Vehicle Engines)

Inspect and adjust, if necessary.

The throttle delay system limits the amount of fuel injected during acceleration by limiting the rate of injector rack movement with a hydraulic cylinder. The initial location of this cylinder must be set with the proper gage to achieve the appropriate time delay.

Inspect the check valve by filling the throttle delay cylinder with diesel fuel oil and watching for valve leakage while moving the throttle from the idle position to the full-fuel position. If more than a drop of leakage occurs, replace the check valve.

WARNING: Use care not to expose yourself to the fuel oil spray.

33. Cooling System

Drain and flush the cooling system. If necessary, use a cooling system cleaner and reverse flush. Refill the cooling system (refer to *Engine Coolant* in Section 13.3). Start the engine and check for leaks.

34. Thermostats and Seals

Check the thermostats and seals (preferably at the time the cooling system is prepared for winter operation). Replace the seals if necessary.

35. Blower and Screen

Inspect the blower and screen and, if necessary, clean the screen in fuel oil and dry it with compressed air. Install the screen and gasket assembly with the screen side of the assembly towards the blower. Inspect for evidence of blower seal leakage.

36. Crankcase Breather

The crankcase breather assembly is mounted on the valve rocker cover. Clean the wire mesh breather pads annually. The cleaning period may be reduced or lengthened depending upon severity of operating conditions.

37. Engine Tune-Up

Minor adjustments such as injector timing, valve clearance, governor and throttle delay (items 27, 26 and 32) should be made on vehicle engines every 50,000 miles to compensate for normal wear on parts. There is no scheduled interval for performing a

complete engine tune-up. As long as the engine performance is satisfactory, a complete engine tune-up should not be required.

38. Heat Exchanger and Raw Water Pump

Every 500 hours, drain the water from the heat exchanger raw water inlet and outlet tubes. Then remove the zinc electrodes from the inlet side of the raw water pump and the heat exchanger. Clean the electrodes with a wire brush or, if worn excessively, replace with new electrodes. To determine the condition of a used electrode, strike it sharply against a hard surface; a weakened electrode will break.

Drain the cooling system, disconnect the raw water pipes at the outlet side of the heat exchanger and remove the retaining cover every 1,000 hours and inspect the heat exchanger core. If a considerable amount of scale or deposits are present, clean the core as outlined in Section 5.5.

Check the prime on the raw water pump; the engine should not be operated with a dry pump. Prime the pump, if necessary, by removing the pipe plug provided in the pump inlet elbow and adding water. Reinstall the plug.

TROUBLE SHOOTING

Certain abnormal conditions which sometimes interfere with satisfactory engine operation, together with methods of determining the cause of such conditions, are covered on the following pages.

Satisfactory engine operation depends primarily on:

1. An adequate supply of air compressed to a sufficiently high compression pressure.
2. The injection of the proper amount of fuel at the right time.

Lack of power, uneven running, excessive vibration, stalling at idle speed and hard starting may be caused by either low compression, faulty injection in one or more cylinders, or lack of sufficient air.

Since proper compression, fuel injection and the proper amount of air are important to good engine performance, detailed procedures for their investigation are given as follows:

Locating a Misfiring Cylinder

1. Start the engine and run it at part load until it reaches normal operating temperature.
2. Stop the engine and remove the valve rocker covers.
3. Check the valve clearance (Section 14.1).

4. Start the engine. Then hold an injector follower down with a screw driver to prevent operation of the injector. If the cylinder has been misfiring, there will be no noticeable difference in the sound and operation of the engine. If the cylinder has been firing properly, there will be a noticeable difference in the sound and operation when the injector follower is held down. This is similar to short-circuiting a spark plug in a gasoline engine.

5. If the cylinder is firing properly, repeat the procedure on the other cylinders until the faulty one has been located.

6. If the cylinder is misfiring, check the following:

- a. Check the injector timing (refer to Section 14.2).
- b. Check the compression pressure.
- c. Install a new injector.
- d. If the cylinder still misfires, remove the cam follower (refer to Section 1.2.1) and check for a worn cam roller, camshaft lobe, bent push rod or worn rocker arm bushings.

Checking Compression Pressure

Compression pressure is affected by altitude as shown in Table 1.

Check the compression pressure as follows:

1. Start the engine and run it at approximately one-half rated load until normal operating temperature is reached.

Minimum Compression Pressure at 600 rpm				Altitude above Sea Level		+ Air Density
Turbocharged Engines		Non-Turbocharged Engines				
psi	kPa	psi	kPa	feet	meters	
450	3101	500	3445	500	152	.0715
415	2859	465	3204	2,500	762	.0663
385	2653	430	2963	5,000	1,524	.0613
355	2446	395	2722	7,500	2,286	.0567
330	2274	365	2515	10,000	3,048	.0525

+ Air density at 500 feet altitude based on 85° F (29.4° C) and 29.38 in. Hg (99.49 kPa) wet barometer.

TABLE 1

Cylinder	Gage Reading	
	Psi	kPa
1L	470	3239
1R	465	3204
2L	430	2963
2R	460	3170
3L	465	3204
3R	460	3170

TABLE 2

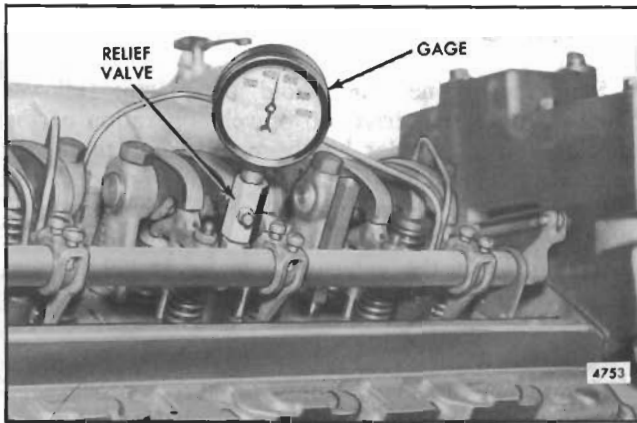


Fig. 1 - Checking Compression Pressure

2. Stop the engine and remove the fuel pipes from the injector and fuel connectors of the No. 1 cylinder.
3. Remove the injector and install an adaptor and pressure gage (Fig. 1) from Diagnosis Kit J 9531-01.
4. Use a spare fuel pipe to fabricate a jumper connection between the fuel inlet and return manifold connectors. This will permit fuel from the inlet manifold to flow directly to the return manifold.
5. Start the engine and run it at a 600 rpm. Observe and record the compression pressure indicated on the gage.

Do not crank the engine with the starting motor to obtain the compression pressure.

6. Perform Steps 2 through 5 on each cylinder. The compression pressure in any one cylinder at a given altitude above sea level should not be less than the minimum shown in Table 1. In addition, the variation in compression pressures between cylinders must not exceed 25 psi (172 kPa) at 600 rpm.

EXAMPLE: If the compression pressure readings were as shown in Table 2, it would be evident that No. 2L cylinder should be examined and the cause of the low compression pressure be determined and corrected.

The pressures in Table 2 are for a turbocharged engine operating at an altitude near sea level.

Note that all of the cylinder pressures are above the low limit for satisfactory engine operation. Nevertheless, the No. 2L cylinder compression pressure indicates that something unusual has occurred and that a localized pressure leak has developed.

Low compression pressure may result from any one of several causes:

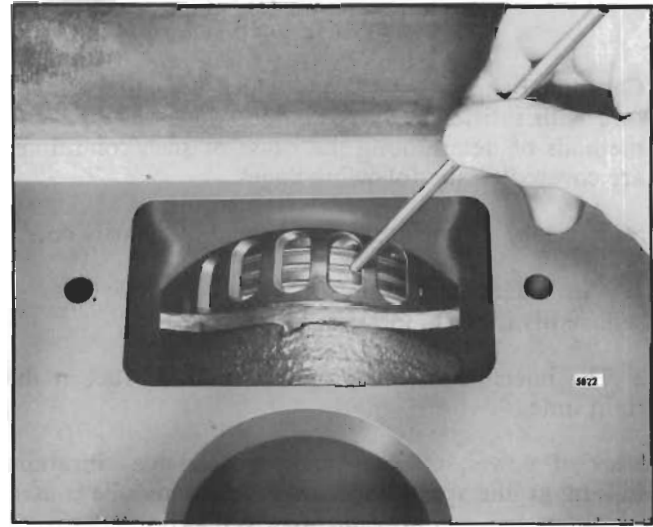


Fig. 2 - Inspecting Piston Rings

- A. Piston rings may be stuck or broken. To determine the condition of the rings, remove the air box cover and inspect them by pressing on the rings with a blunt tool (Fig. 2). A broken or stuck ring will not have a "spring-like" action.
- B. Compression pressure may be leaking past the cylinder head gasket, the valve seats, the injector tube or a hole in the piston.

Engine Out of Fuel

The problem in restarting the engine after it has run out of fuel stems from the fact that after the fuel is exhausted from the fuel tank, fuel is then pumped from the primary fuel strainer and sometimes partially removed from the secondary fuel filter before the fuel supply becomes insufficient to sustain engine firing. Consequently, these components must be refilled with fuel and the fuel pipes rid of air in order for the system to provide adequate fuel for the injectors.

When an engine has run out of fuel, there is a definite procedure to follow for restarting it:

1. Fill the fuel tank with the recommended grade of fuel oil. If only partial filling of the tank is possible, add a minimum of ten gallons (thirty-eight litres) of fuel.
2. Remove the fuel strainer shell and element from the strainer cover and fill the shell with fuel oil. Install the shell and element.
3. Remove and fill the fuel filter shell and element with fuel oil as in Step 2.

4. Start the engine. Check the filter and strainer for leaks.

NOTE: In some instances, it may be necessary to remove a valve rocker cover and loosen a fuel pipe nut to bleed trapped air from the fuel system. Be sure the fuel pipe is retightened securely before replacing the rocker cover.

Primer J 5956 may be used to prime the entire fuel system. Remove the filler plug in the fuel filter cover and install the primer. Prime the system. Remove the primer and install the filler plug.

Fuel Flow Test

The proper flow of fuel is required for satisfactory engine operation. Check the condition of the fuel pump, fuel strainer and fuel filter, as outlined in Section 2.0 under *Trouble Shooting*.

Crankcase Pressure

The crankcase pressure indicates the amount of air passing between the oil control rings and the cylinder liners into the crankcase, most of which is clean air from the air box. A slight pressure in the crankcase is desirable to prevent the entrance of dust. A loss of engine lubricating oil through the breather tube, crankcase ventilator or dipstick hole in the cylinder block is indicative of excessive crankcase pressure.

The causes of high crankcase pressure may be traced to excessive blow-by due to worn piston rings, a hole or crack in a piston crown, loose piston pin retainers, worn blower oil seals, defective blower, cylinder gaskets, or excessive exhaust back pressure. Also, the breather tube or crankcase ventilator should be checked for obstructions.

The crankcase pressure may be checked with a manometer. The manometer should be connected to the oil level dipstick opening in the cylinder block.

Check the readings obtained at various engine speeds with the *Engine Operating Conditions* in Section 13.2.

NOTE: The dipstick adaptor must not be below the level of the oil when checking the crankcase pressure.

Exhaust Back Pressure

A slight pressure in the exhaust system is normal. However, excessive exhaust back pressure seriously affects engine operation. It may cause an increase in

the air box pressure with a resultant loss of efficiency of the blower. This means less air for scavenging which results in poor combustion and higher temperatures.

Causes of high exhaust back pressure are usually a result of an inadequate or improper type of muffler, an exhaust pipe which is too long or too small in diameter, an excessive number of sharp bends in the exhaust system, or obstructions such as excessive carbon formation or foreign matter in the exhaust system.

The exhaust back pressure, measured in inches of mercury, may be checked with a manometer in the engine diagnosis test kit J 9531-01. Connect the manometer to an exhaust manifold (except on turbocharged engines) by removing the 1/8" pipe plug which is provided for that purpose. If there is no opening provided, drill an 11/32" hole in the exhaust manifold companion flange and tap the hole to accommodate a 1/8" pipe plug.

On turbocharged engines, check the exhaust back pressure in the exhaust piping 6" to 12" from the rear face of the turbine. The tapped hole must be in a comparatively straight pipe area for an accurate measurement.

Check the readings obtained at various speeds (at no-load) with the specifications in Section 13.2.

Air Box Pressure

Proper air box pressure is required to maintain sufficient air for combustion and scavenging of the burned gases. Low air box pressure is caused by a high air inlet restriction, damaged blower rotors, an air leak from the air box (such as leaking end plate gaskets) or a clogged blower air inlet screen. Lack of power or black or grey exhaust smoke are indications of low air box pressure.

High air box pressure can be caused by partially plugged cylinder liner ports.

To check the air box pressure, connect a manometer to an air box drain tube.

Check the readings obtained at various speeds with the *Engine Operating Conditions* in Section 13.2.

Air Inlet Restriction

Excessive restriction of the air inlet will affect the flow of air to the cylinders and result in poor combustion and lack of power. Consequently the restriction must be kept as low as possible considering the size and

capacity of the air cleaner. An obstruction in the air inlet system or dirty or damaged air cleaners will result in a high blower inlet restriction.

Check the air inlet restriction with a water manometer connected to a fitting in the air intake ducting located 2" above the air inlet housing (non-turbocharged engines) or compressor inlet (turbocharged engines). When practicability prevents the insertion of a fitting at this point, on naturally aspirated engines, the manometer may be connected to the engine air inlet housing. The restriction at this point should be

checked at a specific engine speed. Then the air cleaner and ducting should be removed from the air inlet housing and the engine again operated at the same speed while noting the manometer reading.

The difference between the two readings, with and without the air cleaner and ducting, is the actual restriction caused by the air cleaner and ducting.

Check the normal air inlet vacuum at various speeds (at no-load) and compare the results with the *Engine Operating Conditions* in Section 13.2.

PROPER USE OF MANOMETER

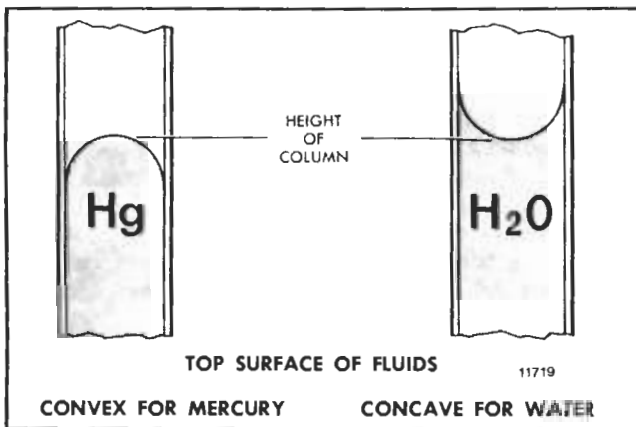


Fig. 3 - Comparison of Column Height for Mercury and Water Manometers

The U-tube manometer is a primary measuring device indicating pressure or vacuum by the difference in the height of two columns of fluid.

Connect the manometer to the source of pressure, vacuum or differential pressure. When the pressure is imposed, add the number of inches one column of fluid travels up to the amount the other column travels down to obtain the pressure (or vacuum) reading.

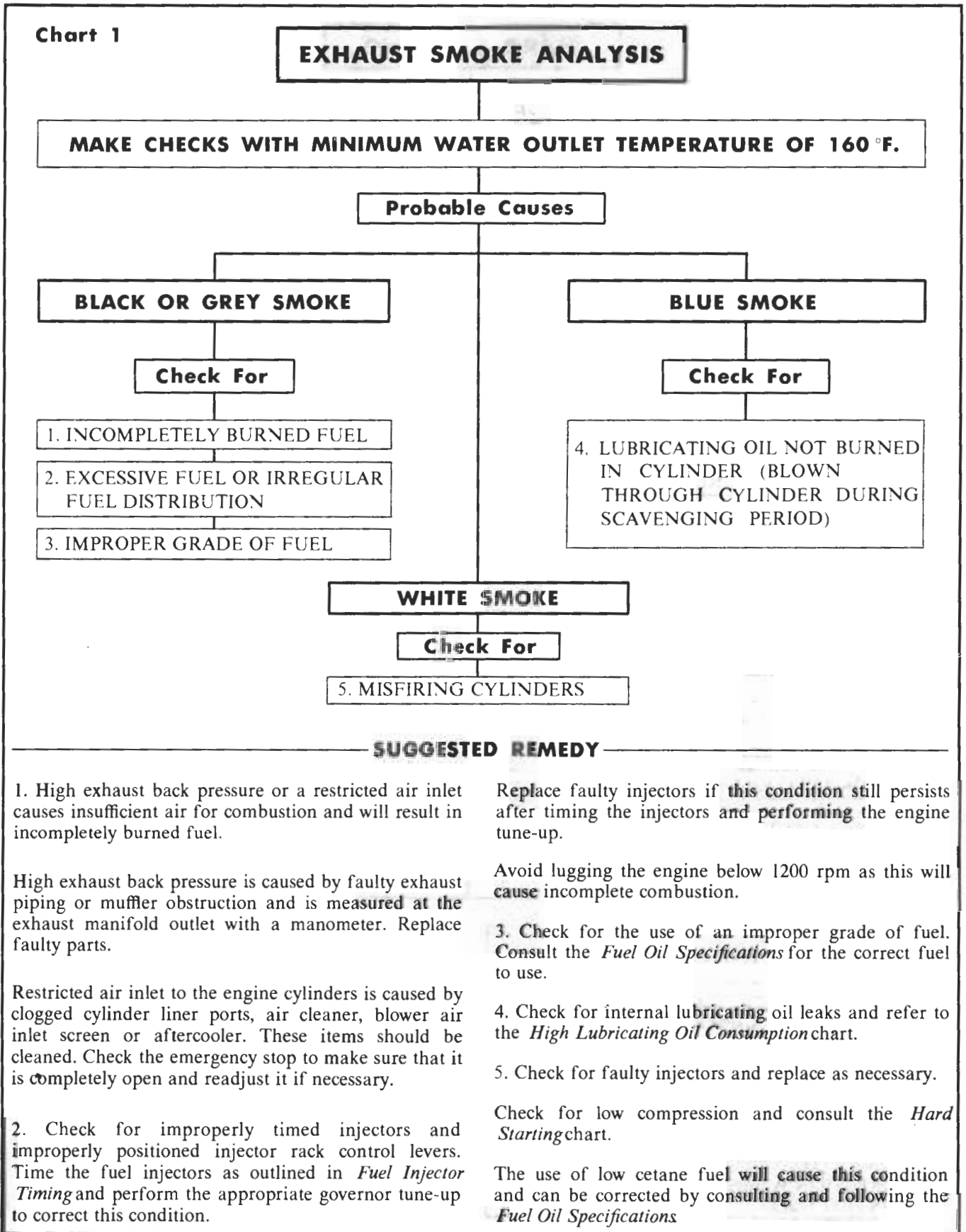
PRESSURE CONVERSION CHART		
1" water	=	.0735" mercury
1" water	=	.0361 psi
1" mercury	=	.4919 psi
1" mercury	=	13.6000" water
1 psi	=	27.7000" water
1 psi	=	2.0360" mercury

TABLE 3

The height of a column of mercury is read differently than that of a column of water. Mercury does not wet the inside surface; therefore, the top of the column has a convex meniscus (shape). Water wets the surface and therefore has a concave meniscus. A mercury column is read by sighting horizontally between the top of the convex mercury surface (Fig. 3) and the scale. A water manometer is read by sighting horizontally between the bottom of the concave water surface and the scale.

Should one column of fluid travel further than the other column, due to minor variations in the inside diameter of the tube or to the pressure imposed, the accuracy of the reading obtained is not impaired.

Refer to Table 3 to convert the manometer reading into other units of measurement.



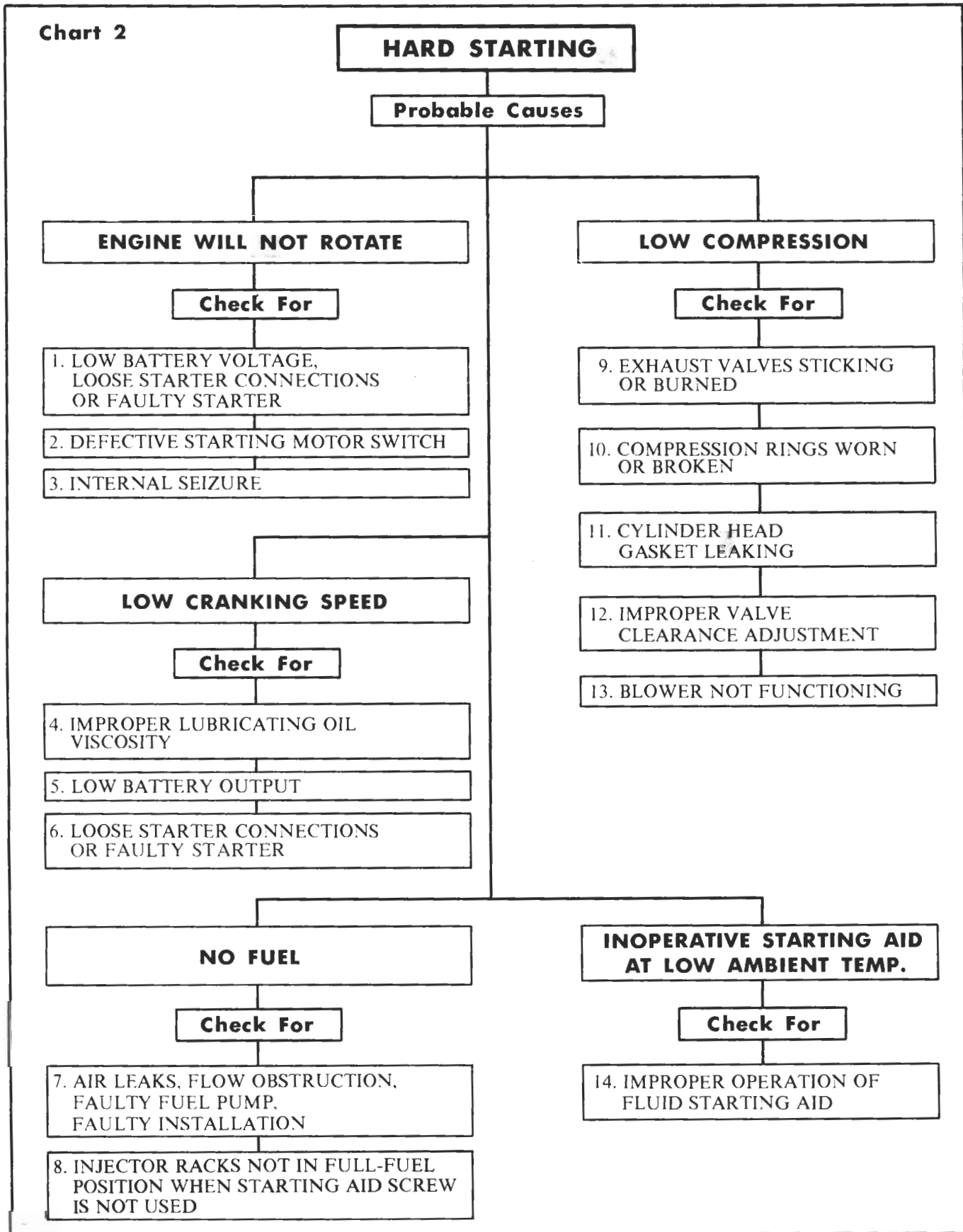


Chart 2**HARD STARTING****SUGGESTED REMEDY**

1. Refer to Items 2, 3 and 5 and perform the operations listed.
 2. Replace the starting motor switch.
 3. Hand crank the engine at least one complete revolution. If the engine cannot be rotated a complete revolution, internal damage is indicated and the engine must be disassembled to ascertain the extent of damage and the cause.
 4. Use the proper viscosity lubricating oil grade as recommended in the *Lubricating Oil Specifications*.
 5. Recharge the battery if a light load test indicates low or no voltage. Replace the battery if it is damaged or will not hold a charge.
- Connect the leads properly after replacing the terminals that are damaged or corroded.
- At low ambient temperatures, use of a starting aid will facilitate keeping the battery fully charged by reducing the cranking time.
6. Tighten the starter connections. Inspect the starter commutator and brushes for wear. Replace the brushes if badly worn and overhaul the starting motor if the commutator is damaged.
 7. To check for air leaks, flow obstruction, faulty fuel pump or faulty installation, consult the *No Fuel or Insufficient Fuel* chart.
 8. Inspect for governor-to-injector linkage binding that will prevent the governor from positioning the injector racks into the full-fuel position. Remove any bind found and readjust the governor and injector controls if necessary.
 9. The cylinder head must be removed and overhauled to correct this condition.
 10. Remove the air box covers and inspect the compression rings through the ports in the cylinder liners. Overhaul the cylinder assemblies if the rings are badly worn or broken.
 11. To check for compression gasket leakage, remove the coolant filler cap and operate the engine. A steady flow of gases from the coolant filler indicates either a cylinder head compression gasket may be damaged, a seal ring damaged or dislodged or the cylinder head is cracked. Remove the cylinder head and replace the compression gaskets and seal rings.
 12. Check the exhaust valve clearance and adjust to the correct clearance.
 13. Remove the blower drive shaft. Inspect the blower drive shaft and drive coupling. Replace damaged parts. Bar the engine over. If the engine does not rotate, remove the air inlet adaptor and visually inspect the blower rotors and end plates. If damaged, remove and overhaul the blower.
 14. Operate the starting aid according to the instructions under *Cold Weather Starting Aids*.

Chart 3

ABNORMAL ENGINE OPERATION

Probable Causes

UNEVEN RUNNING OR FREQUENT STALLING

Check For

1. LOW COOLANT TEMPERATURE

2. INSUFFICIENT FUEL

3. FAULTY INJECTORS

4. LOW COMPRESSION PRESSURES

5. GOVERNOR INSTABILITY (HUNTING)

LACK OF POWER

Check For

6. IMPROPER ENGINE ADJUSTMENTS (TUNE-UP) AND GEAR TRAIN TIMING

7. INSUFFICIENT FUEL

8. INSUFFICIENT AIR

9. ENGINE APPLICATION

10. HIGH RETURN FUEL TEMPERATURE

11. HIGH AMBIENT AIR TEMPERATURE

12. HIGH ALTITUDE OPERATION

DETONATION

Check For

13. OIL PICKED UP BY AIR STREAM

14. LOW COOLANT TEMPERATURE

15. FAULTY INJECTORS

Chart 3**ABNORMAL ENGINE OPERATION (Cont'd.)****SUGGESTED REMEDY**

1. Watch the engine coolant temperature gage and if the temperature does not reach 160-185 °F (71-85 °C), while the engine is operating, consult the *Abnormal Engine Coolant Temperature* chart.

2. Check engine fuel spill back and if the return is less than specified in Section 13.2 consult the *No Fuel or Insufficient Fuel* chart.

3. Check the injector timing and the position of the injector racks. If the engine was not tuned correctly, perform an engine tune-up. Erratic engine operation may also be caused by leaking injector spray tips. Replace the faulty injectors.

4. Check the compression pressures within the cylinders and consult the *Hard Starting* chart if compression pressures are low.

5. Erratic engine operation may be caused by governor-to-injector operating linkage binding or by faulty engine tune-up. Perform the appropriate engine tune-up procedure as outlined for the particular governor used.

6. Perform an engine tune-up if performance is not satisfactory.

Check the engine gear train timing. An improperly timed gear train will result in a loss of power due to the valves and injectors being actuated at the wrong time in the engine's operating cycle.

7. Perform a *Fuel Flow Test* and, if less than the specified fuel is returning to the fuel tank, consult the *No Fuel or Insufficient Fuel* chart.

8. Check for damaged or dirty air cleaners and clean, repair or replace damaged parts.

Remove the air box covers and inspect the cylinder liner ports. If the ports are over 50% plugged, clean them.

Check for blower air intake obstruction, high exhaust back pressure or plugged aftercooler (if used). Clean, repair or replace faulty parts.

Check the compression pressures (consult the *Hard Starting* chart).

9. Incorrect operation of the engine may result in

excessive loads on the engine. Operate the engine according to the approved procedures.

10. Refer to Item 13 on Chart 4.

11. Check the ambient air temperature. A power decrease of .15 to .5 horsepower per cylinder, depending upon injector size, for each 10 °F (-12.2 °C) temperature rise above 90 °F (32 °C) will occur. Relocate the engine air intake to provide a cooler source of air.

12. Engines lose horsepower with increases in altitude. The percentage of power loss is governed by the altitude at which the engine is operating.

13. Fill oil bath air cleaners to the proper level with the same grade and viscosity lubricating oil that is used in the engine.

Clean the air box drain tubes and check valve (if used) to prevent accumulation that may be picked up by the air stream and enter the engine cylinders. Inspect the check valve as follows:

1. Disconnect the drain tube between the check valve and the air box drain tube nut at the air box cover.

2. Run the engine and note the air flow through the valve at idle engine speed.

3. If the check valve is operating properly, there will be no air flow at engine speeds above idle.

Inspect the blower oil seals by removing the air inlet housing and watching through the blower inlet for oil radiating away from the blower rotor shaft oil seals while the engine is running. If oil is passing through the seals, overhaul the blower.

Check for a defective blower-to-cylinder block gasket. Replace the gasket if necessary. If the blower has been removed, install a new gasket.

14. Refer to Item 1 of this chart.

15. Check injector timing and the position of each injector rack. Perform an engine tune-up, if necessary. If the engine is correctly tuned, the erratic operation may be caused by an injector check valve leaking, spray tip holes enlarged or a broken spray tip. Replace faulty injectors.

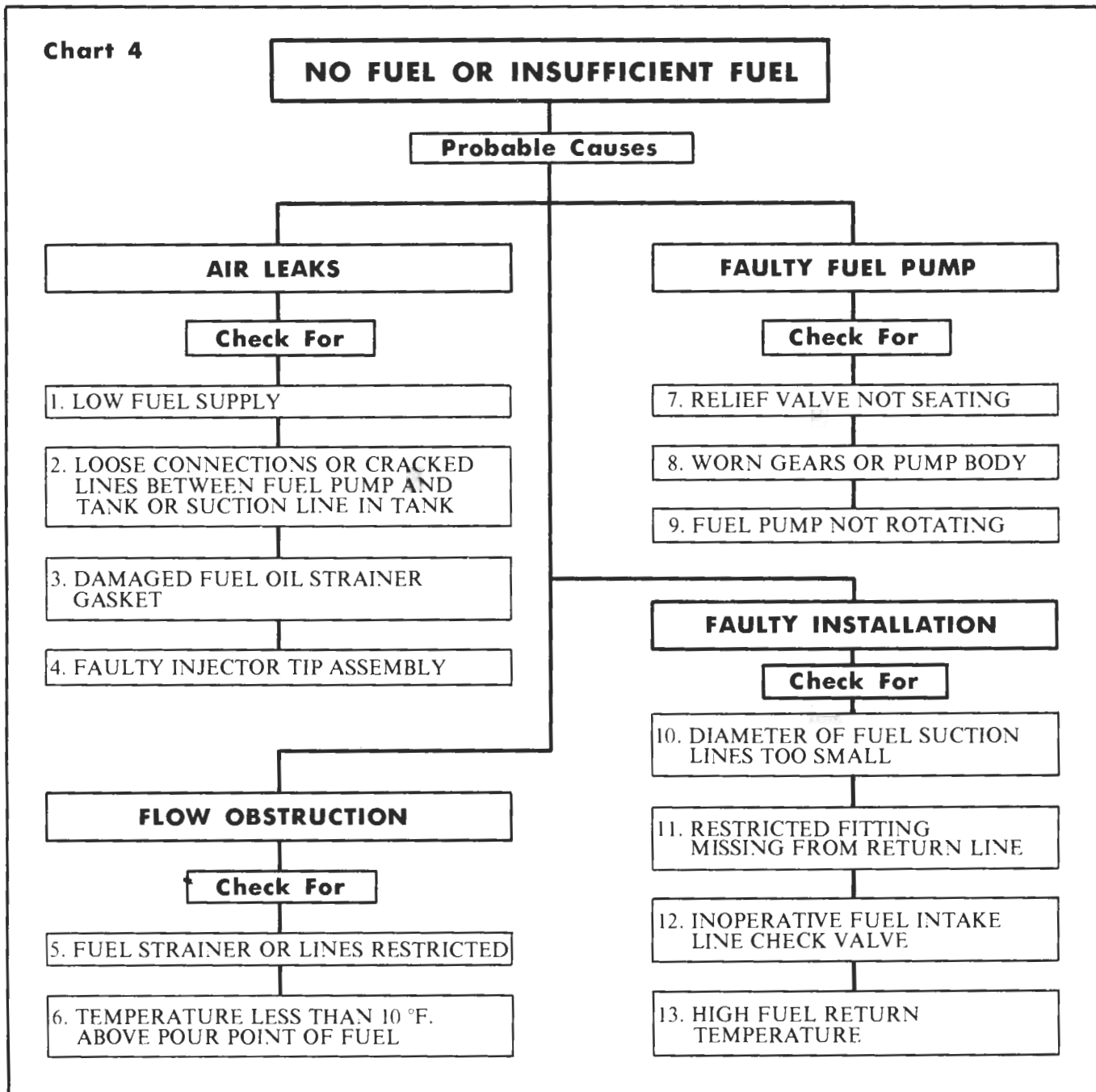


Chart 4**NO FUEL OR INSUFFICIENT FUEL****SUGGESTED REMEDY**

1. The fuel tank should be filled above the level of the fuel suction tube.
2. Perform a *Fuel Flow Test* and, if air is present, tighten loose connections and replace cracked lines.
3. Perform a *Fuel Flow Test* and, if air is present, replace the fuel strainer gasket when changing the strainer element.
4. Perform a *Fuel Flow Test* and, if air is present with all fuel lines and connections assembled correctly, check for and replace faulty injectors.
5. Perform a *Fuel Flow Test* and replace the fuel strainer and filter elements and the fuel lines, if necessary,
6. Consult the *Fuel Oil Specifications* and use the fuel oil recommended.
7. Perform a *Fuel Flow Test* and, if inadequate, clean and inspect the valve and seat in the fuel pump body.
8. Replace the gear and shaft assembly or the fuel pump body.
9. Check the condition of the fuel pump drive and blower drive and replace the defective parts.
10. Replace with larger tank-to-engine fuel lines.
11. Install a restricted fitting in the return line.
12. Make sure that the check valve is installed in the line correctly; the arrow should be on top of the valve assembly or pointing upward. Reposition the valve if necessary. If the valve is inoperative, replace it with a new valve assembly.
13. Check the engine fuel spill-back temperature. The return fuel temperature must be less than 150° F (66° C) or a loss in horsepower will occur. This condition may be corrected by installing larger fuel lines or relocating the fuel tank to a cooler position.

Chart 5

HIGH LUBRICATING OIL CONSUMPTION

Probable Causes

EXTERNAL LEAKS

Check For

- 1. OIL LINES OR CONNECTIONS LEAKING
- 2. GASKET OR OIL SEAL LEAKS
- 3. HIGH CRANKCASE PRESSURE
- 4. EXCESSIVE OIL IN AIR BOX

INTERNAL LEAKS

Check For

- 5. BLOWER OIL SEAL LEAKING
- 6. OIL COOLER CORE LEAKING
- 7. EXCESSIVE OIL BUILDUP IN CYLINDER HEAD

OIL CONTROL AT CYLINDER

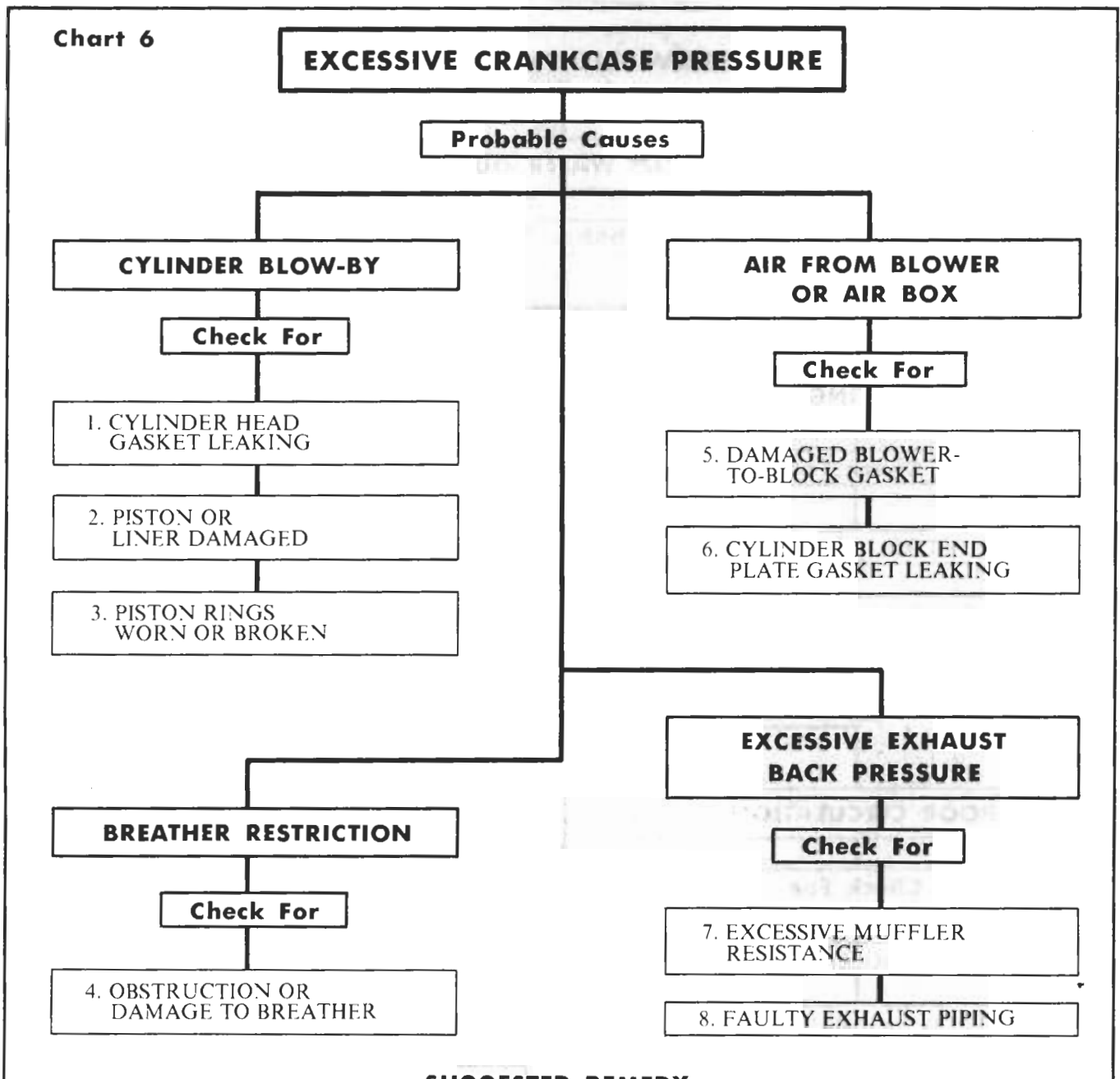
Check For

- 8. OIL CONTROL RINGS WORN, BROKEN OR IMPROPERLY INSTALLED
- 9. PISTON PIN RETAINER LOOSE
- 10. SCORED LINERS, PISTONS OR OIL RINGS
- 11. PISTON AND ROD ALIGNMENT
- 12. EXCESSIVE INSTALLATION ANGLE
- 13. EXCESSIVE OIL IN CRANKCASE

SUGGESTED REMEDY

- 1. Tighten or replace the defective parts.
- 2. Replace defective gaskets or oil seals.
- 3. Refer to the *Excessive Crankcase Pressure* chart.
- 4. Refer to the *Abnormal Engine Operation* chart.
- 5. Remove the air inlet housing and inspect the blower end plates while the engine is operating. If oil is seen on the end plate radiating away from the oil seal, overhaul the blower.
- 6. Inspect the engine coolant for lubricating oil contamination; if contaminated, replace the oil cooler core. Then use a good grade of cooling system cleaner

- to remove the oil from the cooling system.
- 7. Check for plugged or improper breather.
- 8. Replace the oil control rings on the piston.
- 9. Replace the piston pin retainer and defective parts.
- 10. Remove and replace the defective parts.
- 11. Check the crankshaft thrust washers for wear. Replace all worn and defective parts.
- 12. Decrease the installation angle.
- 13. Fill the crankcase to the proper level only.



SUGGESTED REMEDY

1. Check the compression pressure and, if only one cylinder has low compression, remove the cylinder head and replace the head gaskets.
2. Inspect the piston and liner and replace damaged parts.
3. Install new piston rings.
4. Clean and repair or replace the breather assembly.

5. Replace the blower-to-block gasket.
6. Replace the end plate gasket.
7. Check the exhaust back pressure and repair or replace the muffler if an obstruction is found.
8. Check the exhaust back pressure and install larger piping if it is determined that the piping is too small, too long or has too many bends.

Chart 7

LOW OIL PRESSURE

MAKE CHECKS WITH MINIMUM WATER OUTLET TEMPERATURE OF 160 °F.

Probable Causes

LUBRICATING OIL

Check For

1. SUCTION LOSS

2. LUBRICATING OIL VISCOSITY

PRESSURE GAGE

Check For

8. FAULTY GAGE

9. GAGE LINE OBSTRUCTED

10. GAGE ORIFICE PLUGGED

11. ELECTRICAL INSTRUMENT
PANEL SENDING UNITS FAULTY

POOR CIRCULATION

Check For

3. COOLER CLOGGED

4. COOLER BY-PASS VALVE NOT
FUNCTIONING PROPERLY

5. PRESSURE REGULATOR
VALVE NOT
FUNCTIONING PROPERLY

6. EXCESSIVE WEAR ON
CRANKSHAFT BEARINGS

7. GALLERY, CRANKSHAFT OR
CAMSHAFT PLUGS MISSING

OIL PUMP

Check For

12. INTAKE SCREEN PARTIALLY
CLOGGED

13. RELIEF VALVE FAULTY

14. AIR LEAK IN PUMP SUCTION

15. PUMP WORN OR DAMAGED

16. FLANGE LEAK (PRESSURE SIDE)

Chart 7**LOW OIL PRESSURE****SUGGESTED REMEDY**

1. Check the oil and bring it to the proper level on the dipstick or correct the installation angle.

2. Wrong viscosity of lubricating oil being used; consult the *Lubricating Oil Specifications*

Check for fuel leaks at the injector nut seal ring and fuel pipe connections. Leaks at these points will cause fuel oil dilution.

3. A plugged oil cooler is indicated by excessively high lubricating oil temperature. Remove and clean the oil cooler core.

4. Remove the oil cooler by-pass valve and clean the valve and valve seat and inspect the valve spring. Replace defective parts.

5. Remove the pressure regulator valve and clean the valve and valve seat and inspect the valve spring. Replace defective parts.

6. Change the bearings. Consult the *Lubricating Oil Specifications* for the proper grade of oil to use and change the oil filters.

7. Replace missing plug(s).

8. Check the oil pressure with a reliable gage and replace the gage if found faulty.

9. Remove and clean the gage line; replace it if necessary.

10. Remove and clean the gage orifice.

11. Repair or replace defective electrical equipment.

12. Remove and clean the oil pan and oil intake screen; consult the *Lubricating Oil Specifications* for the proper grade of oil to use and change the oil filters.

13. Remove and inspect the valve, valve bore and spring; replace faulty parts.

14. Disassemble the piping and install new gaskets.

15. Remove the pump, clean and replace defective parts.

16. Remove the flange and replace the gasket.

Chart 8

ABNORMAL ENGINE COOLANT OPERATING TEMPERATURE

Probable Causes

ABOVE NORMAL

Check For

1. INSUFFICIENT HEAT TRANSFER

2. POOR CIRCULATION

BELOW NORMAL

Check For

3. IMPROPER CIRCULATION

4. EXCESSIVE LEAKAGE AT THERMOSTAT SEAL

SUGGESTED REMEDY

1. The cooling system should be cleaned with a good cooling system cleaner and thoroughly flushed to remove scale deposits.

The exterior of the radiator core should be cleaned to open plugged passages permitting normal air flow.

Loose fan belts should be adjusted to the proper tension to prevent slippage.

Check for an improper size radiator or inadequate shrouding.

Repair or replace inoperative temperature-controlled fan or inoperative shutters.

2. Check the coolant level and fill to the filler neck if the coolant level is low.

Inspect for collapsed or disintegrated hoses. Replace all faulty hoses.

Thermostat may be inoperative. Remove, inspect and test the thermostat; replace if found faulty.

Check the water pump for a loose or damaged impeller.

Check the flow of coolant through the radiator. A clogged radiator will cause an inadequate supply of coolant on the suction side of the pump. Clean the radiator core.

Remove the coolant filler cap and operate the engine, checking for combustion gases in the cooling system. The cylinder head must be removed and inspected for cracks and the head gaskets replaced if combustion gases are entering the cooling system.

Check for an air leak on the suction side of the water pump. Replace defective parts.

3. The thermostat may not be closing. Remove, inspect and test the thermostat. Install a new thermostat if necessary.

Check for an improperly installed heater.

4. Excessive leakage of coolant past the thermostat seal(s) is a cause of continued low coolant operating temperature. When this occurs, replace the thermostat seal(s).

STORAGE

PREPARING ENGINE FOR STORAGE

When an engine is to be stored or removed from operation for a period of time, special precautions should be taken to protect the interior and exterior of the engine, transmission and other parts from rust accumulation and corrosion. The parts requiring attention and the recommended preparations are given below.

It will be necessary to remove all rust or corrosion

completely from any exposed part before applying a rust preventive compound. Therefore, it is recommended that the engine be processed for storage as soon as possible after removal from operation.

The engine should be stored in a building which is dry and can be heated during the winter months. Moisture absorbing chemicals are available commercially for use when excessive dampness prevails in the storage area.

TEMPORARY STORAGE (30 days or less)

To protect an engine for a temporary period of time, proceed as follows:

1. Drain the engine crankcase.
2. Fill the crankcase to the proper level with the recommended viscosity and grade of oil.
3. Fill the fuel tank with the recommended grade of fuel oil. Operate the engine for two minutes at 1200 rpm and no load.

NOTE: Do not drain the fuel system or the crankcase after this run.

4. Check the air cleaner and service it, if necessary, as outlined in Section 3.1.
5. If freezing weather is expected during the storage period, add a permanent type antifreeze solution in accordance with the manufacturer's recommendations. Drain the raw water system and leave the drain cocks open.

CAUTION: If an antifreeze solution is not to be used during this storage period, the coolant system should be flushed with a good rust inhibitor to prevent rusting of the outside diameter of the cylinder liners (refer to Section 13.3).

6. Clean the entire exterior of the engine (except the electrical system) with fuel oil and dry it with compressed air.

7. Seal all of the engine openings. The material used for this purpose must be waterproof, vaporproof and possess sufficient physical strength to resist puncture and damage from the expansion of entrapped air.

An engine prepared in this manner can be returned to service in a short time by removing the seals at the engine openings, checking the engine coolant, fuel oil, lubricating oil, transmission, and priming the raw water pump, if used.

EXTENDED STORAGE (30 days or more)

When an engine is to be removed from operation for an extended period of time, prepare it as follows:

1. Drain and thoroughly flush the cooling system with clean, soft water.
2. Refill the cooling system with clean, soft water.
3. Add a rust inhibitor to the cooling system (refer to *Corrosion Inhibitors* in Section 13.3).
4. Remove, check and recondition the injectors, if necessary, to make sure they will be ready to operate when the engine is restored to service.

5. Reinstall the injectors in the engine, time them, and adjust the exhaust valve clearance.

6. Circulate the coolant through the entire system by operating the engine until normal operating temperature is reached (160-185 °F or 71-85 °C).

7. Stop the engine.

8. Remove the drain plug and completely drain the engine crankcase. Reinstall and tighten the drain plug. Install new lubricating oil filter elements and gaskets.

9. Fill the crankcase to the proper level with a 30-weight preservative lubricating oil MIL-L-21260, Grade 2 (P10), or equivalent.

10. Drain the engine fuel tank.

11. Refill the fuel tank with enough rust preventive fuel oil such as American Oil Diesel Run-In Fuel (LF-4089), Mobil 4Y17, or equivalent, to enable the engine to operate ten minutes.

12. Drain the fuel filter and strainer. Remove the retaining bolts, shells and elements. Discard the used elements **and** gaskets. Wash the shells in clean fuel oil and insert new elements. Fill the cavity between the element and shell about two-thirds full of the same rust preventive compound as used in the fuel tank and reinstall the shell.

13. Operate the engine for five minutes to circulate the rust preventive throughout the engine.

14. Refer to Section 3.1 and service the air cleaner.

15. MARINE GEAR

a. Drain the oil completely and refill with clean oil of the proper viscosity and grade as is recommended. Remove, clean or replace the strainer and replace the filter element.

b. Start and run the engine at 600 rpm for ten minutes so that clean oil can coat all of the internal parts of the marine gear. Engage the clutches alternately to circulate clean oil through all of the moving parts.

NOTE: The performance of this step is not necessary on torque converter units.

16. TORQMATIC CONVERTER

a. Start the engine and operate it until the temperature of the converter oil reaches 150 °F (66 °C).

b. Remove the drain plug and drain the converter.

c. Remove the filter element.

d. Start the engine and stall the converter for twenty seconds at 1000 rpm to scavenge the oil from the converter. *Due to lack of lubrication, do not exceed the 20 second limit.*

e. Install the drain plug and a new filter element.

f. Fill the converter to the proper operating level with a commercial preservative oil which meets Government specifications MIL-L-21260, Grade 1.

Oil of this type is available from the major oil companies.

g. Start the engine and operate the converter for at least ten minutes at a minimum of 1000 rpm. Engage the clutch then stall the converter to raise the oil temperature to 225 °F (107 °C).

CAUTION: Do not allow the oil temperature to exceed 225 °F (107 °C). If the unit does not have a temperature gage, *do not stall the converter for more than thirty seconds.*

h. Stop the engine and permit the converter to cool to a temperature suitable to touch.

i. Seal all of the exposed openings and the breather with moisture-proof tape.

j. Coat all exposed, unpainted surfaces with preservative grease. Position all of the controls for minimum exposure and coat them with grease. The external shafts, flanges and seals should also be coated with grease.

17. POWER TAKE-OFF

a. With an all purpose grease such as Shell Alvania No. 2, or equivalent, lubricate the clutch throwout bearing, clutch pilot bearing, drive shaft main bearing, clutch release shaft, and the outboard bearings (if so equipped).

b. Remove the inspection hole cover on the clutch housing and lubricate the clutch release lever and link pins with a hand oiler. Avoid getting oil on the clutch facing.

c. If the unit is equipped with a reduction gear, drain and flush the gear box with light engine oil. If the unit is equipped with a filter, clean the shell and replace the filter element. Refill the gear box to the proper level with the oil grade indicated on the name plate.

18. TURBOCHARGER

The turbocharger bearings are lubricated by pressure through the external oil line leading from the engine cylinder block while performing the previous operations above and no further attention is required. However, the turbocharger air inlet and turbine outlet connections should be sealed off with moisture resistant tape.

19. HYDROSTARTER SYSTEM

Refer to Section 12.6.1 for the lubrication and preventive maintenance procedure.

20. Apply a *non-friction* rust preventive compound to all exposed parts. If it is convenient, apply the rust preventive compound to the engine flywheel. If not, disengage the clutch mechanism to prevent the clutch disc from sticking to the flywheel.

CAUTION: Do not apply oil, grease or any wax base compound to the flywheel. The cast iron will absorb these substances which can "sweat" out during operation and cause the clutch to slip.

21. Drain the engine cooling system.

22. Drain the preservative oil from the engine crankcase. Reinstall and tighten the drain plug.

23. Remove and clean the battery and battery cables with a baking soda solution and rinse them with fresh water. Do not allow the soda solution to enter the battery. Add distilled water to the electrolyte, if necessary, and fully charge the battery. Store the battery in a cool (never below 32 °F or 0 °C) dry place.

Keep the battery fully charged and check the level and the specific gravity of the electrolyte regularly.

24. Insert heavy paper strips between the pulleys and belts to prevent sticking.

25. Seal all of the openings in the engine, including the exhaust outlet, with moisture resistant tape. Use cardboard, plywood or metal covers where practical.

26. Clean and dry the exterior painted surfaces of the engine. Spray the surfaces with a suitable liquid automobile body wax, a synthetic resin varnish or a rust preventive compound.

27. Cover the engine with a good weather-resistant tarpaulin or other cover if it must be stored outdoors. A clear plastic cover is recommended for indoor storage.

The stored engine should be inspected periodically. If there are any indications of rust or corrosion, corrective steps must be taken to prevent damage to the engine parts. Perform a complete inspection at the end of one year and apply additional treatment as required.

PROCEDURE FOR RESTORING AN ENGINE TO SERVICE WHICH HAS BEEN IN EXTENDED STORAGE

1. Remove the covers and tape from all of the openings of the engine, fuel tank and electrical equipment. *Do not overlook the exhaust outlet.*

2. Wash the exterior of the engine with fuel oil to remove the rust preventive.

3. Remove the rust preventive from the flywheel.

4. Remove the paper strips from between the pulleys and the belts.

5. Remove the drain plug and drain the preservative oil from the crankcase. Re-install the drain plug. Then refer to *Lubrication System* in Section 13.1 and fill the crankcase to the proper level, using a pressure prelubricator, with the recommended grade of lubricating oil.

6. Fill the fuel tank with the fuel specified under *Diesel Fuel Oil Specifications* (Section 13.3).

7. Close all of the drain cocks and fill the engine cooling system with clean soft water and a rust inhibitor. If the engine is to be exposed to freezing temperatures, fill the cooling system with a permanent type antifreeze solution (refer to Section 13.3).

8. Install and connect the battery.

9. Service the air cleaner as outlined in Section 3.1.

10. POWER GENERATOR

Prepare the generator for starting as outlined under *Operating Instructions* in Section 13.

11. MARINE GEAR

Check the marine gear; refill it to the proper level, as necessary, with the correct grade of lubricating oil.

12. TORQMATIC CONVERTER

a. Remove the tape from the breather and all of the openings.

b. Remove all of the preservative grease with a suitable solvent.

c. Start the engine and operate the unit until the temperature reaches 150 °F (66 °C). Drain the preservative oil and remove the filter. Start the engine and stall the converter for twenty seconds at 1000 rpm to scavenge the oil from the converter.

CAUTION: A Torqmatic converter containing preservative oil should only be operated enough

to bring the oil temperature up to 150 °F (66 °C).

- d. Install the drain plug and a new filter element.
- e. Refill the converter with the oil that is recommended under *Lubrication and Preventive Maintenance* (Section 15.1).

13. POWER TAKE-OFF

Remove the inspection hole cover and inspect the clutch release lever and link pins and the bearing ends of the clutch release shaft. Apply engine oil sparingly, if necessary, to these areas.

14. HYDROSTARTER

- a. Open the relief valve on the side of the hand pump and release the pressure in the system.

- b. Refer to the filling and purging procedures outlined in *Hydraulic Starting System* (Section 12.6.1). Then drain, refill and purge the hydrostarter system.

15. TURBOCHARGER

Remove the covers from the turbocharger air inlet and turbine outlet connections. Refer to the lubricating procedure outlined in *Preparation for Starting Engine First Time* in Section 13.1.

16. After all of the preparations have been completed, start the engine. The small amount of rust preventive compound which remains in the fuel system will cause a smoky exhaust for a few minutes.

NOTE: Before subjecting the engine to a load or high speed, it is advisable to check the engine tune-up.

ALPHABETICAL INDEX

Subject	Section	Subject	Section
A			
Accessory arrangement	*	Injector fuel output	2.1.1
Accessory drive	1.7.7	Injector identification	2.1.1
Adjustment:		Injector tuning gage	14.2
Exhaust valve	14.1	Lubricating oil selection	13.3
Exhaust valve bridge	1.2.2	Lubrication	15.1
Fan belt	15.1	Cleaners--air	3.1
Governing devices	14.14	Cleaning procedures--general	*
Governors and injector racks	14	Compression pressure	15.2
Injector timing	14.2	Compressor--air	12.4
Air box drains	1.1.2	Connecting rod	1.6.1
Air cleaners	3.1	Connecting rod bearings	1.6.2
Air compressor	12.4	Coolant--engine	13.3
Air intake restrictions	15.2	Coolant filter and conditioner	3.7
Air intake system	3	Cooler--engine oil	4.4
Air shutdown housing	3.3	Cooler--fuel	2.5.1
Alarm system	7.4.2	Cooling system	5
Alternator--battery-charging	7.1	Corrosion inhibitor	13.3
Antifreeze	13.3	Cover--balance weight	1.7.8
B			
Balance--engine	1.7	Cover--valve rocker	1.2.4
Balance weight cover	1.7.8	Crankcase pressure	15.2
Balance weights	1.7	Crankshaft	1.3
Battery--storage	7.2	Crankshaft cap	1.3.3
Battery-charging alternator	7.1	Crankshaft main bearings	1.3.4
Bearings:		Crankshaft oil seals	1.3.2
Camshaft	1.7.2	Crankshaft pulley	1.3.7
Connecting rod	1.6.2	Crankshaft timing gear	1.7.5
Crankshaft--main	1.3.4	Crankshaft vibration damper	1.3.6
Tiller gear	1.7.4	Cross-head piston	1.6
Belt adjustment--fan	15.1	Cylinder--misfiring	15.2
Block--cylinder	1.1	Cylinder block	1.1
Blower	3.4	Cylinder head	1.2
Blower drive gear and support	1.7.6	Cylinder liner	1.6.3
Blower timing	3.4	D	
Bluing injector components	2.0	Damper--vibration	1.3.6
Bridge adjustment--exhaust valve	1.2.2	Damper--vibration (16V engine)	1.7.5
C			
Cam follower	1.2.1	Description--general	*
Camshaft gears	1.7.3	Diagrams:	
Camshafts	1.7.2	Alarm system	7.4.2
Cap--pressure control	5.3.1	Blower shim location	3.4
Charts:		Cam roller wear	1.2.1
Blower clearances	3.4	Cylinder bore measurement	1.1
Engine operating conditions	13.2	Cylinder liner measurement	1.6.3
Fuel oil selection	13.3	Fuel system	2
D			
		Lubrication system	4
		Diesel principle	*
		Dipstick--oil level	4.6
		Drains--air box	1.1.2
		Dynamometer test	13.2.1

*General information section

Subject	Section	Subject	Section
E			
Electrical system	7	Fuel injector	2.1.1
Electrical system--checking	7.0	Fuel injector timing	14.2
Electrode--zinc	5.5	Fuel injector tube	2.1.4
Emergency stop knob	7.4	Fuel lines	2.0
End plates--cylinder block	1.1.1	Fuel oil specifications	13.3
Engine:		Fuel pump	2.2
Balance	1.7	Fuel strainer	2.3
Coolant	13.3	Fuel system	2
Firing order	*	Fuel tank	2.3
Front cover	1.3.5	G	
General specifications	*	Gear--accessory drive	1.7.7
Load limit device adjustment	14.14	Gear--blower drive	1.7.6
Models	*	Gear--blower drive step-up	1.7.6
Operating conditions	13.2	Gear--camshaft	1.7.3
Operating instructions	13.1	Gear--crankshaft timing	1.7.5
Protective system	7.4.1	Gear--flywheel ring	1.4
Rotation	*	Gear--idler	1.7.4
Run-in instructions	13.2.1	Gear--oil pump driving	4.1
Serial number	*	Gear train and engine timing	1.7.1
Storage	15.3	General description	*
Test report	13.2.1	General information	*
Timing--gear train	1.7.1	General procedures	*
Trouble shooting	15.2	General specifications	*
Tune-up	14	Governor--mechanical	2.7
Exhaust back pressure	15.2	Governor--overspeed	7.4.3
Exhaust manifold (air-cooled)	6.1	Governor shut-down solenoid adjustment	14.14
Exhaust manifold (water-cooled)	6.1.1	Guide--exhaust valve	1.2.2
Exhaust system	6	H	
Exhaust valve	1.2.2	Head--cylinder	1.2
Bridge adjustment	1.2.2	Heat exchanger	5.5
Clearance adjustment	14.1	Housing--air shut-down	3.3
Guide and insert	1.2.2	Housing--flywheel	1.5
Spring	1.2.2	I	
Trouble shooting	1.0	Idle gear	1.7.4
F			
Fan	5.4	Inhibitor--corrosion	13.3
Fan belt adjustment	15.1	Injector--fuel	2.1.1
Filter--coolant and conditioner	5.7	Injector operating mechanism	1.2.1
Filter--fuel	2.3	Injector test fixture--checking	2.0
Filter--injector	2.1.1	Injector testing	2.1.1
Filter--lubricating oil	4.2	Injector tuning	14.2
Firing order	*	Injector tuning (checking)	2.0
Flushing cooling system	5	Injector trouble shooting	2.0
Flywheel--engine	1.4	Injector tube	2.1.4
Flywheel housing	1.5	Insert--exhaust valve	1.2.2
Fresh water pump	5.1	Inspection--magnetic particle method of	1.3
Front cover--engine	1.3.5	Instrument panel and instruments	7.4
Fuel cooler	2.5.1		
Fuel flow--checking	2.0		

*General information section

Subject	Section	Subject	Section
K		P	
Keel cooling system	5	Pan--oil	4.7
L		Piston and rings--cross-head	1.6
Lapping blocks--refinishing	2.0	Power control device adjustment	14.14
Limiting speed governor	2.7.1	Pre-ignition--effects of	2.0
Limiting speed governor adjustment	14.3	Pressure control cap	5.3.1
Limiting speed governor adjustment (16V)	14.3.1	Preventive maintenance	15.1
Limiting (variable low-speed) governor adjustment	14.3.5	Procedures--general	*
Liner--cylinder	1.6.3	Pulley--crankshaft	1.3.7
Lubricating oil cooler	4.4	Pump--fuel	2.2
Lubricating oil filter	4.2	Pump--lubricating oil	4.1
Lubricating oil pump	4.1	Pump--raw water	5.6
Lubricating oil specifications	13.3	Pump--water	5.1
Lubrication and preventive maintenance	15.1	Push rod	1.2.1
Lubrication system	4	R	
M		Radiator	5.3
Magnetic particle method of inspection	1.3	Raw water pump	5.6
Main bearing--crankshaft	1.3.4	Raw water pump--draining	5.0
Maintenance--preventive	15.1	Regulator--oil pressure	4.1.1
Manifold--exhaust (air-cooled)	6.1	Regulator--voltage	7.1.1
Manifold--exhaust (water-cooled)	6.1.1	Relief valve--oil pressure	4.1.1
Manifold--water	5.2	Rings--cross-head piston	1.6
Mechanical governors	2.7	Rocker arms	1.2.1
Misfiring cylinder	15.2	Rod--connecting	1.6.1
Model description chart	*	Run-in instructions	13.2.1
Model designation	*	S	
Motor--electrical starting	7.3	Seals--crankshaft oil	1.3.2
O		Serial number designation	*
Oil cooler--engine	4.4	Sleeve--crankshaft oil seal	1.3.2
Oil filter--engine	4.2	Specifications--fuel oil	13.3
Oil level dipstick	4.6	Specifications--general	*
Oil pan	4.7	Specifications--lubricating oil	13.3
Oil pressure regulator valve	4.1.1	Spring--exhaust valve	1.2.2
Oil pressure relief valve	4.1.1	Starting motor--electrical	7.3
Oil pump--lubricating	4.1	Step-up gear blower drive	1.7.6
Oil seals--crankshaft	1.3.2	Storage battery	7.2
Oil specifications--fuel	13.3	Storage--engine	15.3
Oil specifications--lubricating	13.3	Strainer--fuel oil	2.3
Oil strainer--fuel	2.3	Systems:	
Operating conditions--engine	13.2	Air intake	3
Operating instructions--engine	13.1	Alarm	7.4.2
Operation--principle of	*	Cooling	5
Option plate	*	Electrical	7
Overspeed governor	7.4.3	Engine protective	7.4.1
		Exhaust	6
		Fuel	2
		Lubrication	4
		Ventilating	4.8

*General information section

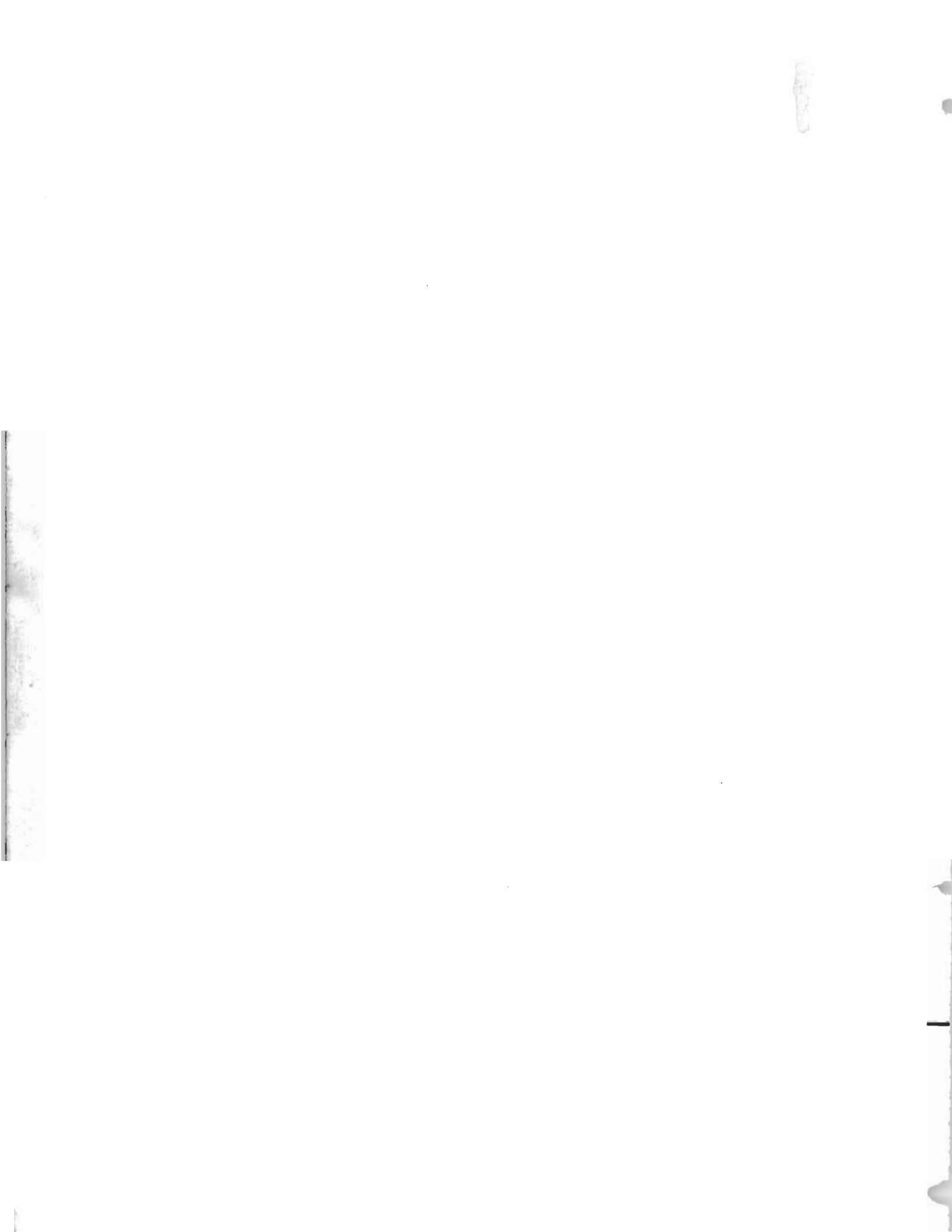
Subject	Section	Subject	Section
T			
Test--dynamometer	13.2.1	Valve bridge adjustment--exhaust	1.2.2
Test report	13.2.1	Valve clearance adjustment--exhaust	1.4.1
Testing injector	2.1.1	Valve guide and insert--exhaust	1.2.2
Testing switches (engine protective)	7.0	Valve--oil pressure regulator	4.1.1
Thermostat	5.2.1	Valve--oil pressure relief	4.1.1
Throttle delay mechanism adjustment	14.14	Valve operating mechanism--exhaust	1.2.1
Thrust washers--crankshaft	1.3.4	Valve rocker cover	1.2.4
Timing--blower rotor	3.4	Valve trouble shooting--exhaust	1.0
Timing--engine	1.7.1	Valves--exhaust	1.2.2
Timing--fuel injector	14.2	Variable speed governor	2.7.2
Timing--fuel injector (checking)	2.0	Variable speed governor adjustment	14.4
Timing--fuel injector (rack to gear)	2.1.1	Variable speed governor adjustment (16V)	14.4.1
Trouble shooting:		Ventilating system	4.8
Electrical system	7.0	Vibration damper--crankshaft	1.3.6
Engine	15.2	Vibration damper--crankshaft (16V)	1.7.5
Exhaust valve	1.0	W	
Fuel injector	2.0	Washers--crankshaft thrust	1.3.4
Fuel pump	2.0	Water	13.3
Turbocharger	3.0	Water manifold	5.2
Tube--fuel injector	2.1.4	Water pump	5.1
Tune-up procedure	14	Water pump--raw	5.6
Turbocharger	3.5	Water tank pressure control cap	5.3.1
Two cycle principle	*	Weights--balance	1.7

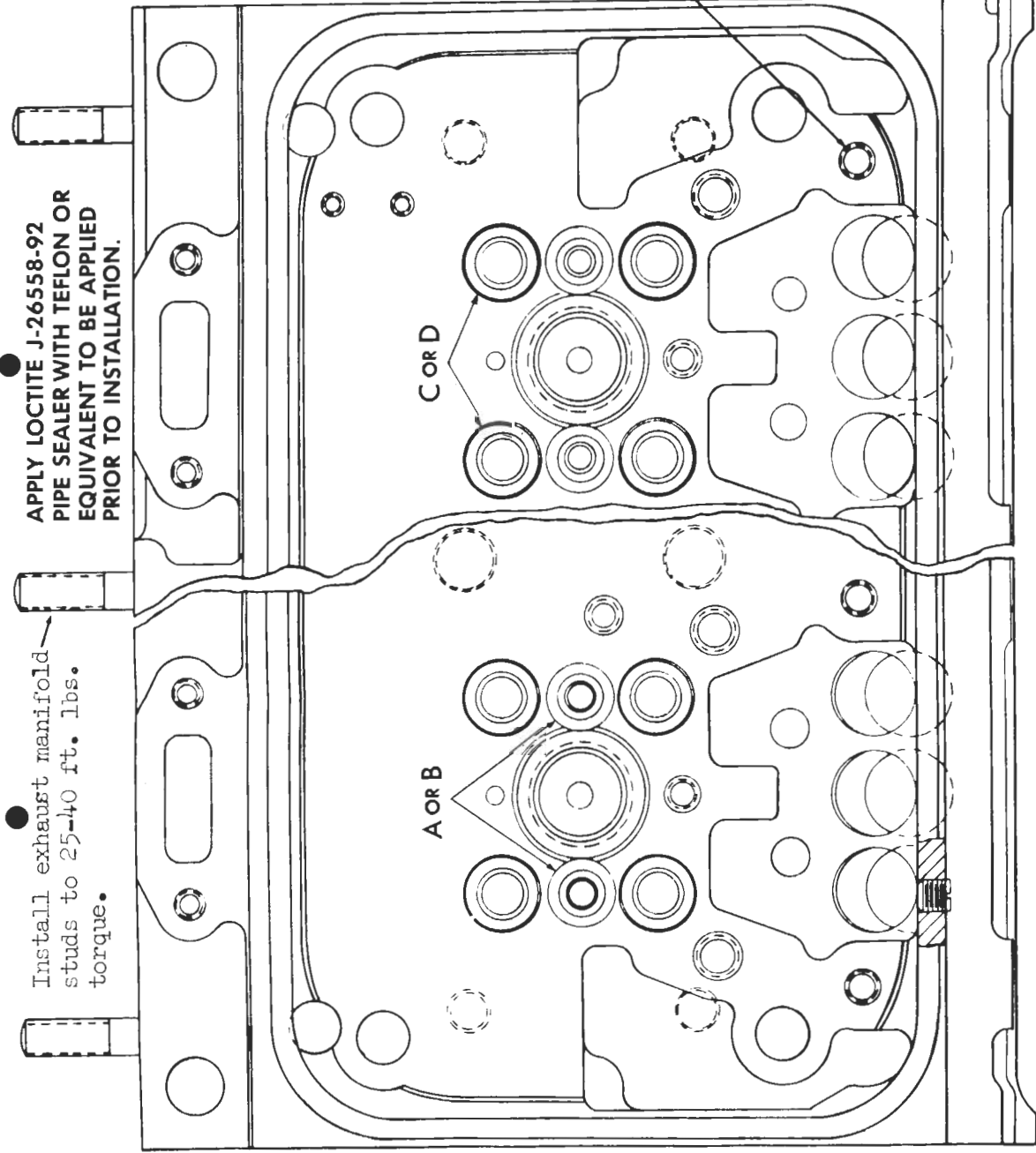
*General information section











Install exhaust manifold studs to 25-40 ft. lbs. torque.

APPLY LOCTITE J-26558-92 PIPE SEALER WITH TEFLON OR EQUIVALENT TO BE APPLIED PRIOR TO INSTALLATION.

SERIES 71 AND 92 FOUR VALVE HEAD PLUGGING CHART

STANDARD PIPE PLUG TORQUE*

PIPE PLUG SIZE	TORQUE/FT. LBS.
1/8	10-12
1/4	14-16
3/8	18-22
1/2	23-27
3/4	33-37

*Caution—Do Not Over Torque Teflon Wrapped Pipe Plugs.

Install plug in both ends of cylinder head except on thermostat housing end(s) for 6V and 8V engines only.

Install fuel manifold connectors and washers.

A - Use with three spring design (spring under bridge).

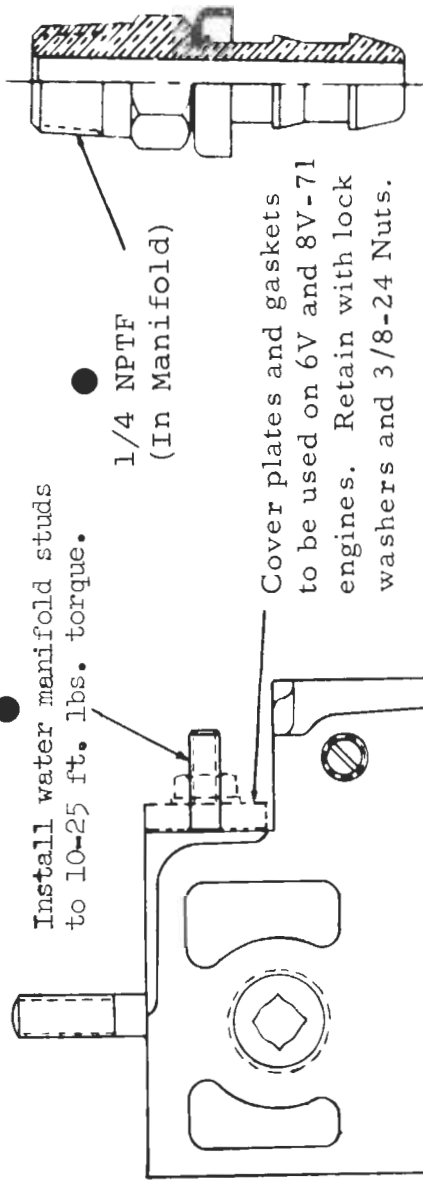
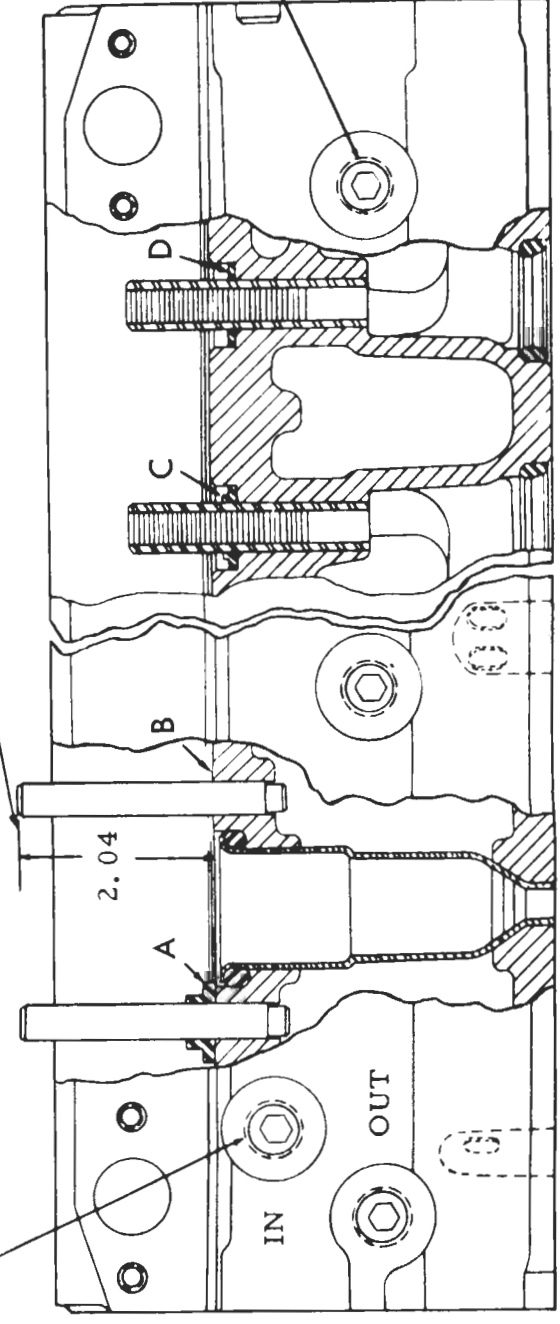
B - Two spring design (no spring under bridge).

C - Use with .581 I.D. valve spring.

D - Use with .645 I.D. valve spring.

Bridge guides to be installed as shown.

Install special 1/4 pipe plugs in all manifold end and side positions except fuel inlet and outlet positions convenient for assembly of flexible hose on in-line engines.



Install water manifold studs to 10-25 ft. lbs. torque.

1/4 NPTF (In Manifold)

Cover plates and gaskets to be used on 6V and 8V-71 engines. Retain with lock washers and 3/8-24 Nuts.

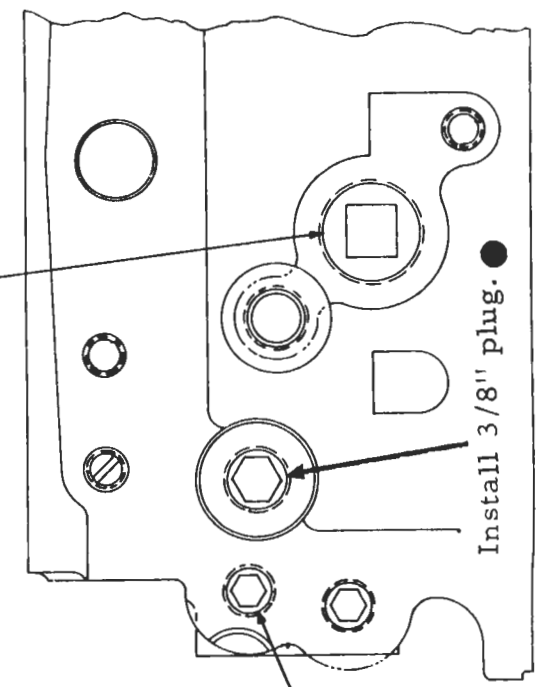
Install 3/8" headless plugs in both ends

Install plug at each end except when lifter bracket is installed.

Install 3/8"-18 plug at each end to 1/16" above surface. 7/32" rod in oil feed hole must pass inner face of plug.

7/16-14 headless plug to be installed in two holes, both ends on V-71 engines. Install plugs on in-line engines only when lifter bracket is not used.

Before installing thermostat housings on 12V-71 engines, remove 3/4 pipe plug from front of both cylinder heads.



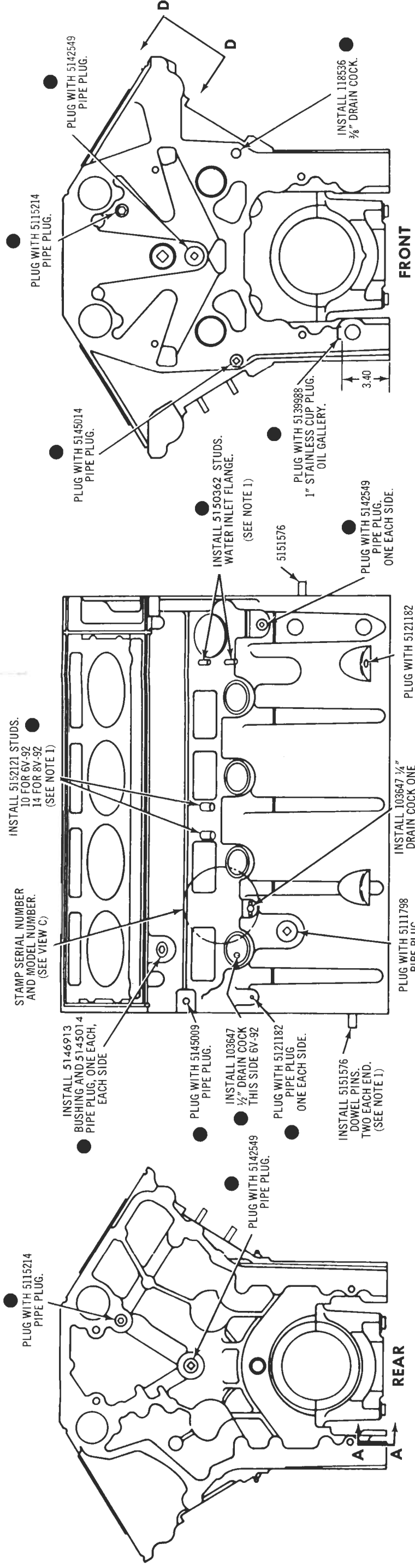
Install 3/8" plug.

TO ASSEMBLE HOSE & FITTINGS

(1) Cut hose to required length. Oil inside of hose and outside of nipple.

(2) Push hose on fitting underneath protective cap.

BLOCK PLUGGING INSTRUCTIONS FOR 6V & 8V-92



STANDARD PIPE PLUG TORQUE

PIPE PLUG SIZE	TORQUE / FT. LBS.
1/8"	10-12
1/4"	14-16
3/8"	18-22
1/2"	23-27
3/4"	33-37
1"	78-85

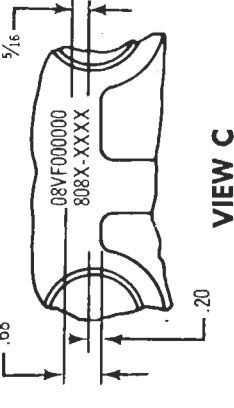
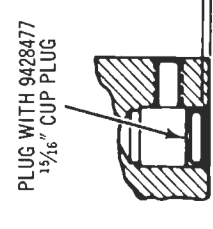
CAUTION - DO NOT OVER TORQUE TEFLON WRAPPED PIPE PLUGS.

NOTES

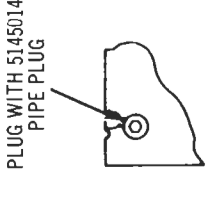
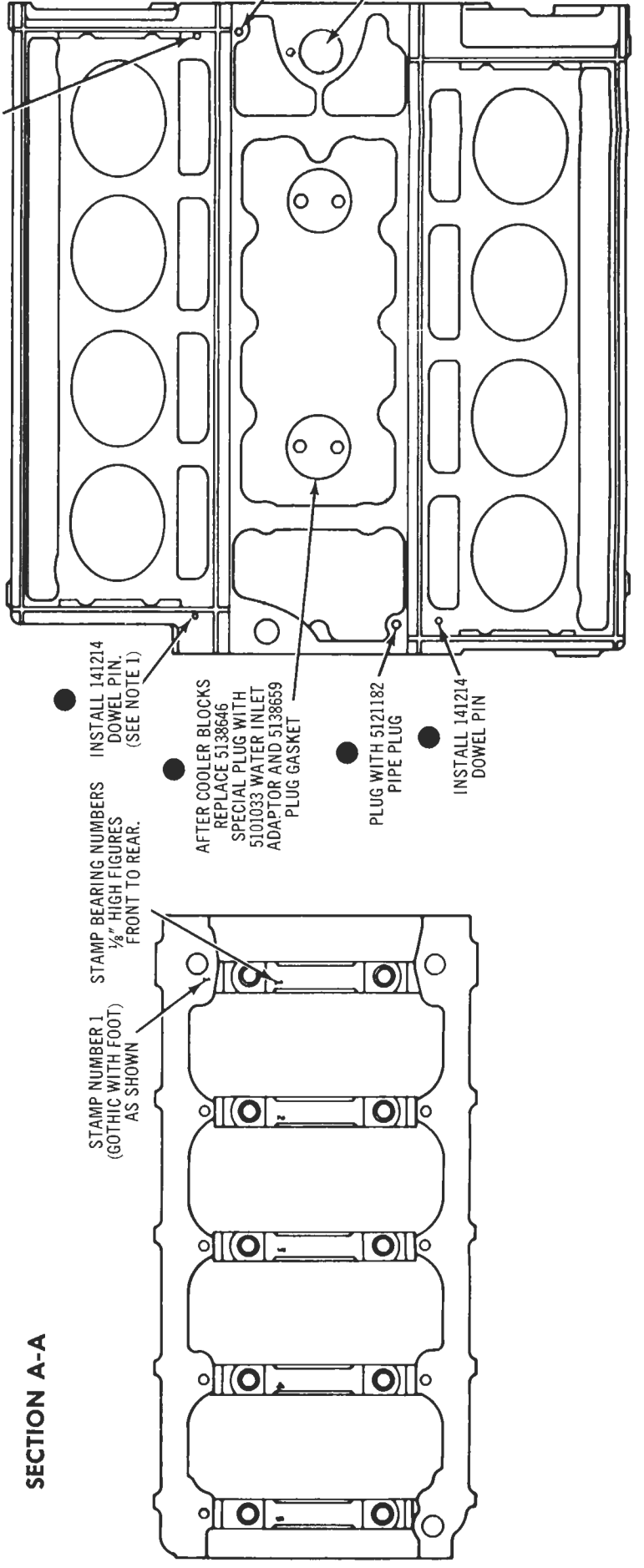
- 103196 STUDS—INSTALL TO 1.00 ± .030 PROJECTION. 141214 DOWEL PINS—INSTALL FLUSH WITH SURFACE. 141346 DOWEL PINS—DRIVE TO .115 ± .005 PROJECTION. 5151576 DOWEL PINS—DRIVE TO .880 ± .010 PROJECTION. 5152121 STUDS—INSTALL TO 1.00 ± .030 PROJECTION. 5142549 PIPE PLUG—INSTALL BELOW SURFACE.

- PLUGS INSTALL FLUSH TO BELOW TOP OF FINISHED SURFACES OF BLOCK.

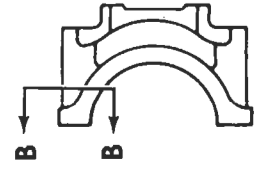
- APPLY LOCTITE J-26558-92 PIPE SEALER WITH TEFLON OR EQUIVALENT TO BE APPLIED PRIOR TO INSTALLATION.



SECTION A-A

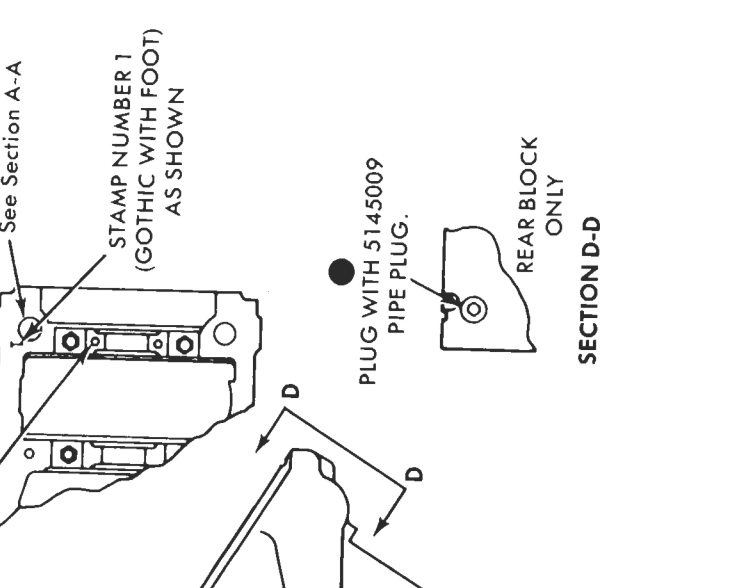
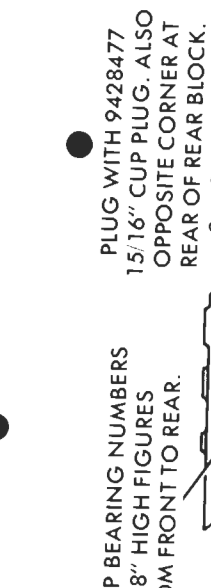
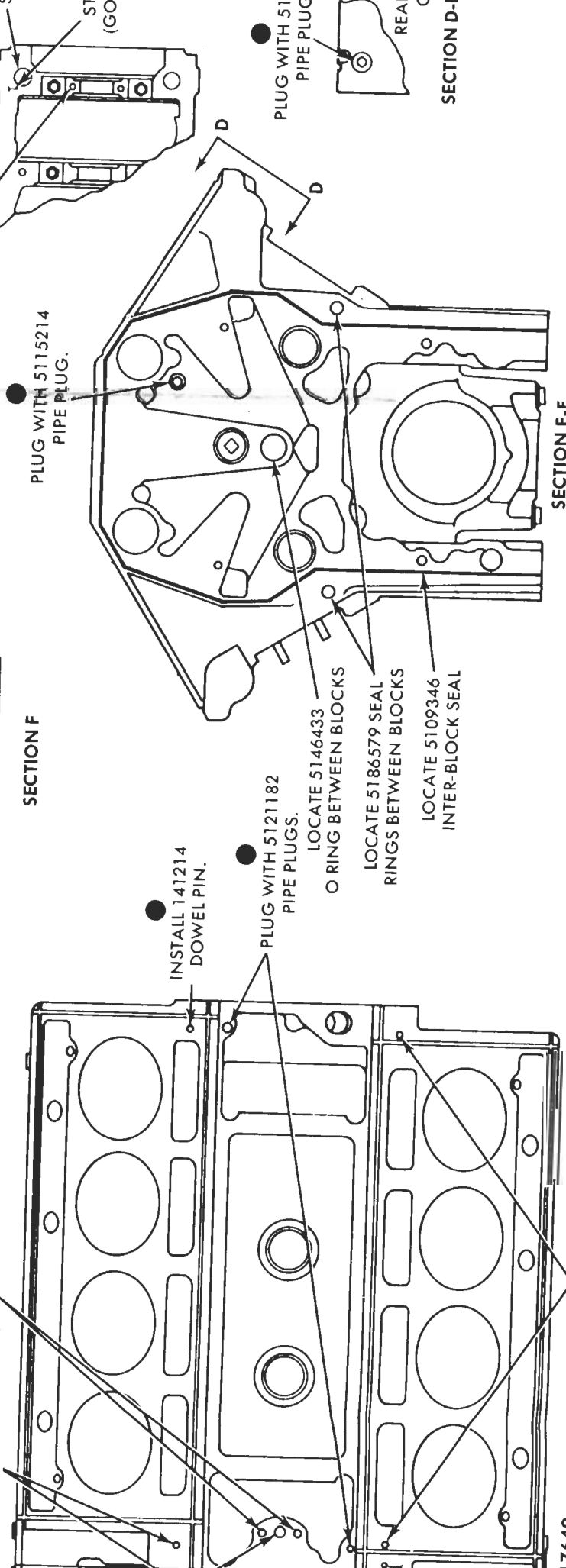
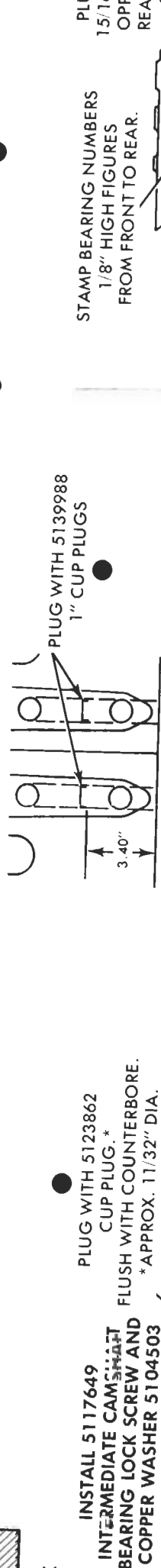
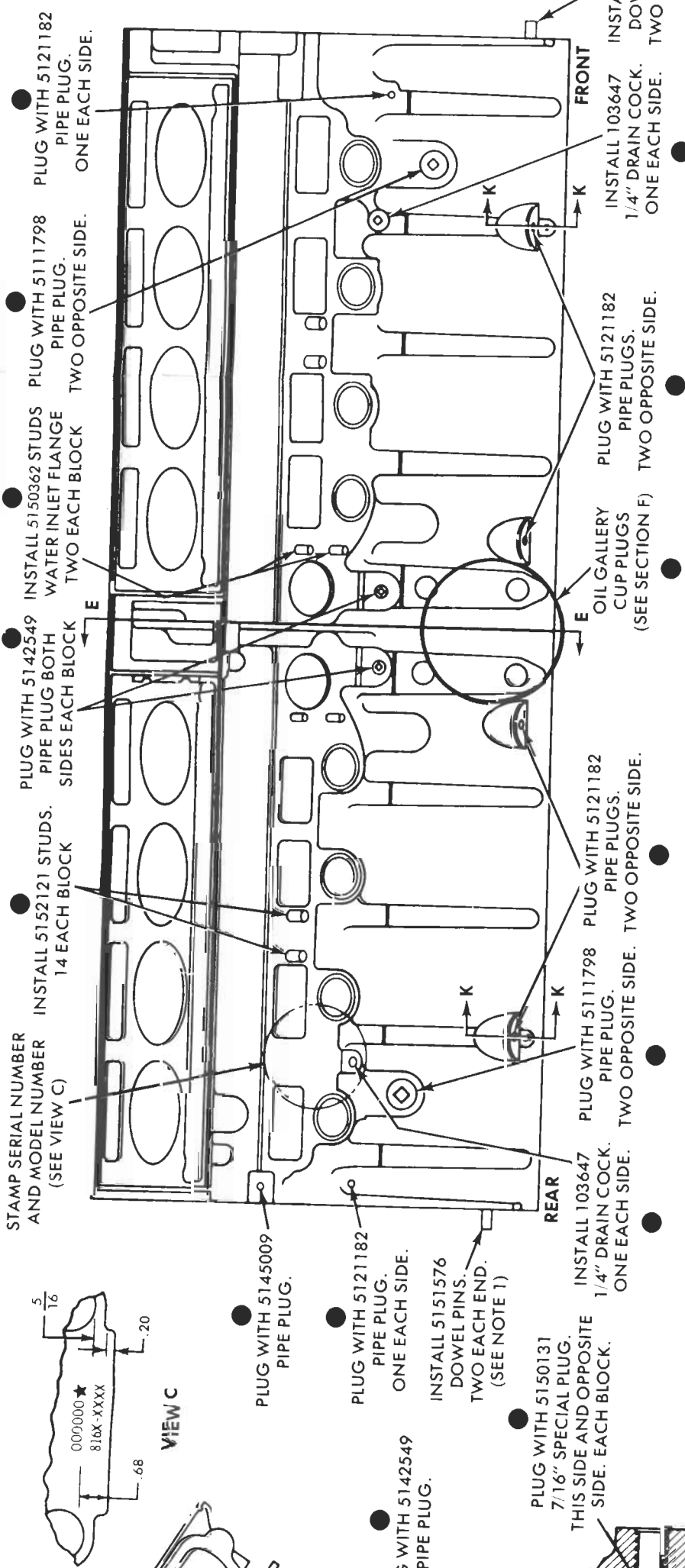
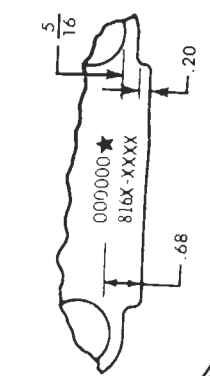


SECTION D-D



SECTION B-B

BLOCK PLUGGING INSTRUCTIONS FOR 16V-92 BLOCK



NOTES

- (1) 103196 STUDS — INSTALL TO 1.00 ± .030 PROJECTION.
- 141214 DOWEL PINS — INSTALL FLUSH WITH SURFACE.
- 141346 DOWEL PINS — DRIVE TO .115 ± .005 PROJECTION.
- 5151576 DOWEL PINS — DRIVE TO .880 ± .010 PROJECTION.
- 5152121 STUDS — INSTALL TO 1.00 ± .030 PROJECTION.

(2) PLUGS INSTALL FLUSH TO BELOW TOP OF FINISHED SURFACES OF BLOCK.

● APPLY LOCTITE J-26558-92 PIPE SEALER WITH TEFLON OR EQUIVALENT TO BE APPLIED PRIOR TO INSTALLATION.

STANDARD PIPE PLUG TORQUE

PIPE PLUG SIZE	TORQUE/FT. LBS.
1/8	10-12
1/4	14-16
3/8	18-22
1/2	23-27
3/4	33-37
1	78-85

CAUTION—Do Not Over Torque Teflon Wrapped Pipe Plugs.

PIPE PLUG IDENTIFICATION CHART

5145009	— 1/8" HEX SOC. HD.
5121182	— 1/4" HEX SOC. HD.
5145014	— 3/8" HEX SOC. HD.
5115214	— 1/2" HEX SOC. HD.
5142549	— 3/4" SHORT SQ. SOC. HD.
5111798	— 1" SQ. SOC. HD.